

*ASSEMBLY INSTRUCTIONS
COASTER FINE FURNITURE*



Fine Furniture for every stage of life

ASSEMBLY INSTRUCTIONS

ASSEMBLY TIPS:

1. Remove hardware from box and sort by size.
2. Please check to see that all hardware and parts are present prior to start of assembly.
3. Please follow attached instructions in the same sequence as numbered to assure fast & easy assembly.



WARNING!

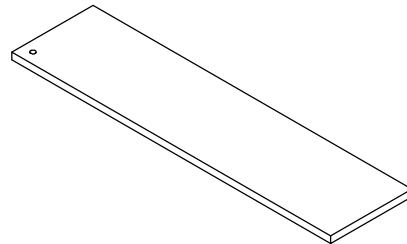
1. Don't attempt to repair or modify parts that are broken or defective. Please contact the store immediately.
2. This product is for home use only and not intended for commercial establishments.



ASSEMBLY TIME 95 MINUTES

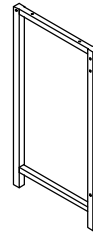
PARTS IDENTIFICATION

A LARGE TOP PANEL



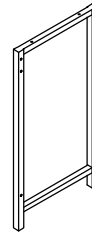
1PC

B LARGE LEFT FRAME



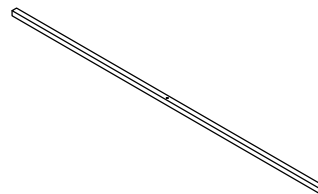
1PC

C LARGE RIGHT FRAME



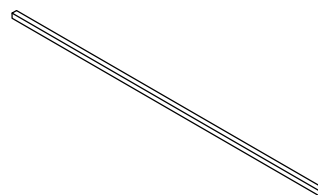
1PC

D LARGE TOP CROSSBAR



1PC

E LARGE BOTTOM CROSSBAR

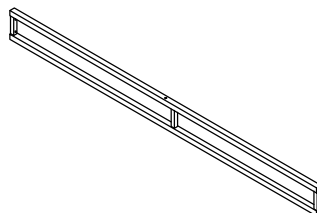


1PC

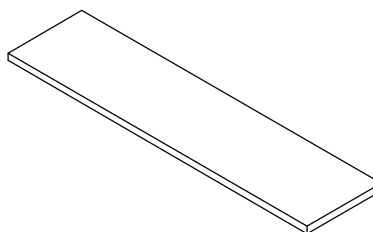
ASSEMBLY INSTRUCTIONS

PARTS IDENTIFICATION

F LARGE BACK FRAME 1PC



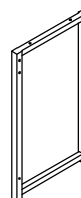
G SMALL TOP PANEL 1PC



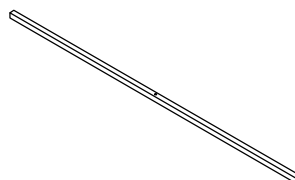
H SMALL LEFT FRAME 1PC



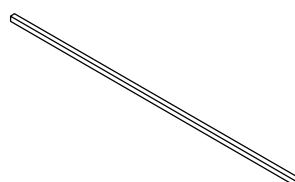
I SMALL RIGHT FRAME 1PC



J SMALL TOP CROSSBAR 1PC



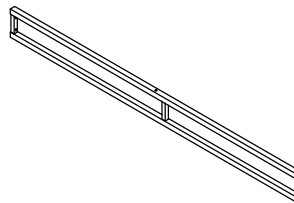
K SMALL BOTTOM CROSSBAR 1PC



ASSEMBLY INSTRUCTIONS

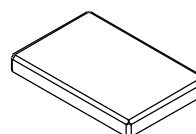
PARTS IDENTIFICATION

L SMALL BACK FRAME



1PC

M CUSHION SEAT



1PC

N STOOL LEFT FRAME



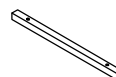
1PC

O STOOL RIGHT FRAME



1PC

P STOOL TOP CROSSBAR



1PC

Q STOOL BOTTOM CROSSBAR

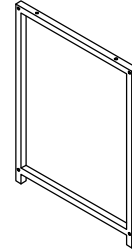


1PC

ASSEMBLY INSTRUCTIONS

R

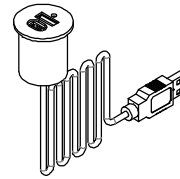
STOOL FRONT FRAME



1PC

S

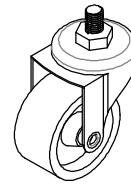
USB



1PC

T








WHEEL



4PCS

Z

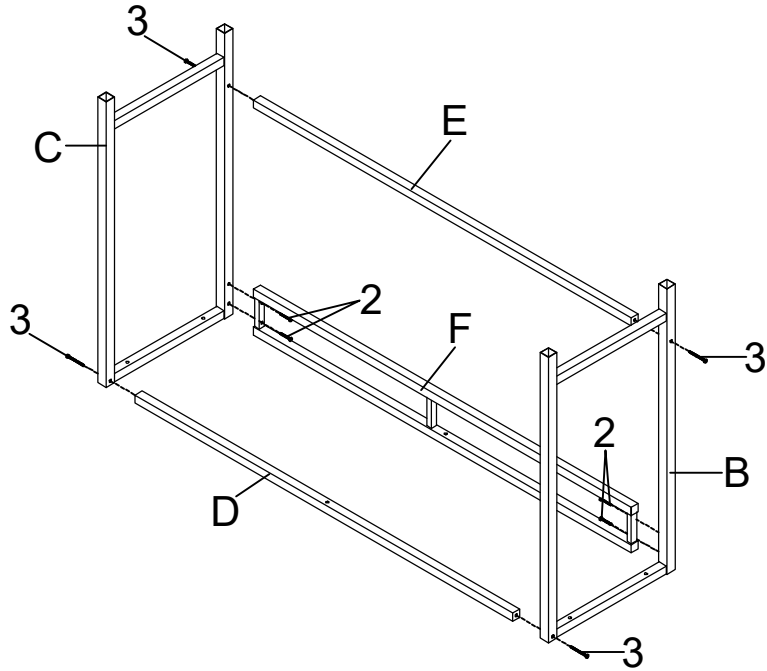
HARDWARE IDENTIFICATION

1	SHORT BOLT (1/4" x 12mm BLK)		4PCS	5	LARGE CAP (30 x 30mm BLK)		8PCS
2	MEDIUM BOLT (1/4" x 35mm BLK)		28PCS	6	COVER		12PCS
3	LONG BOLT (1/4" x 56mm BLK)		8PCS	7	ALLEN WRENCH (4mm)		1PC
4	SMALL CAP (20 x 20mm BLK)		4PCS				

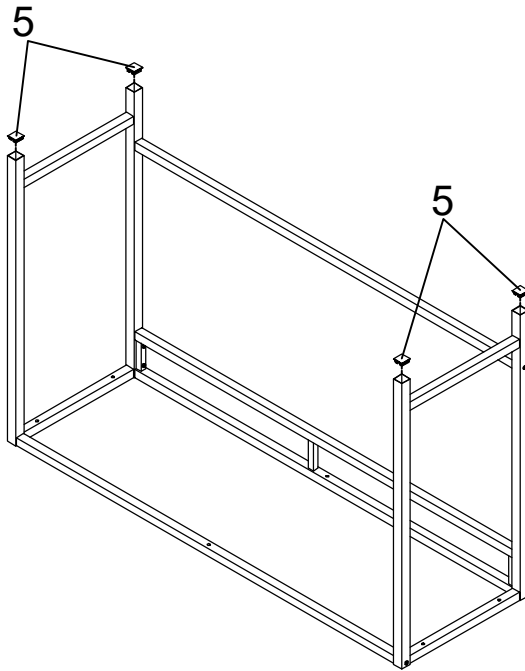
NOTE: QUANTITIES SHOWN ARE FOR ONE LARGE TABLE, ONE SMALL TABLE AND ONE STOOL

ASSEMBLY INSTRUCTIONS

STEP 1 Do not tighten until each step is completed or instructed.



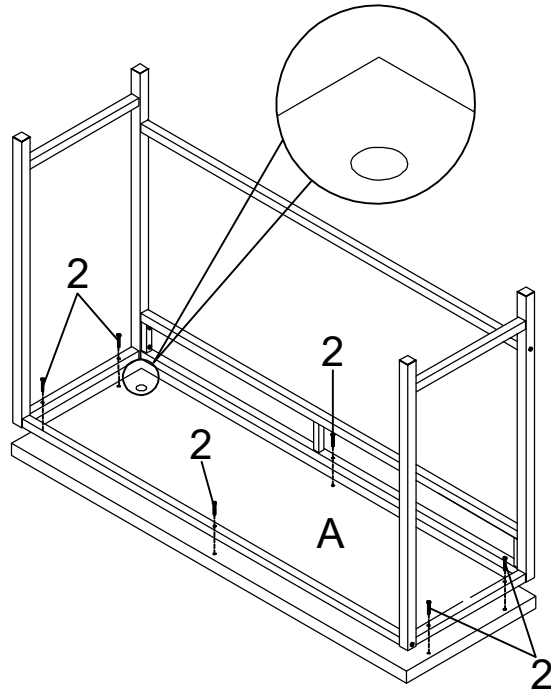
STEP 2



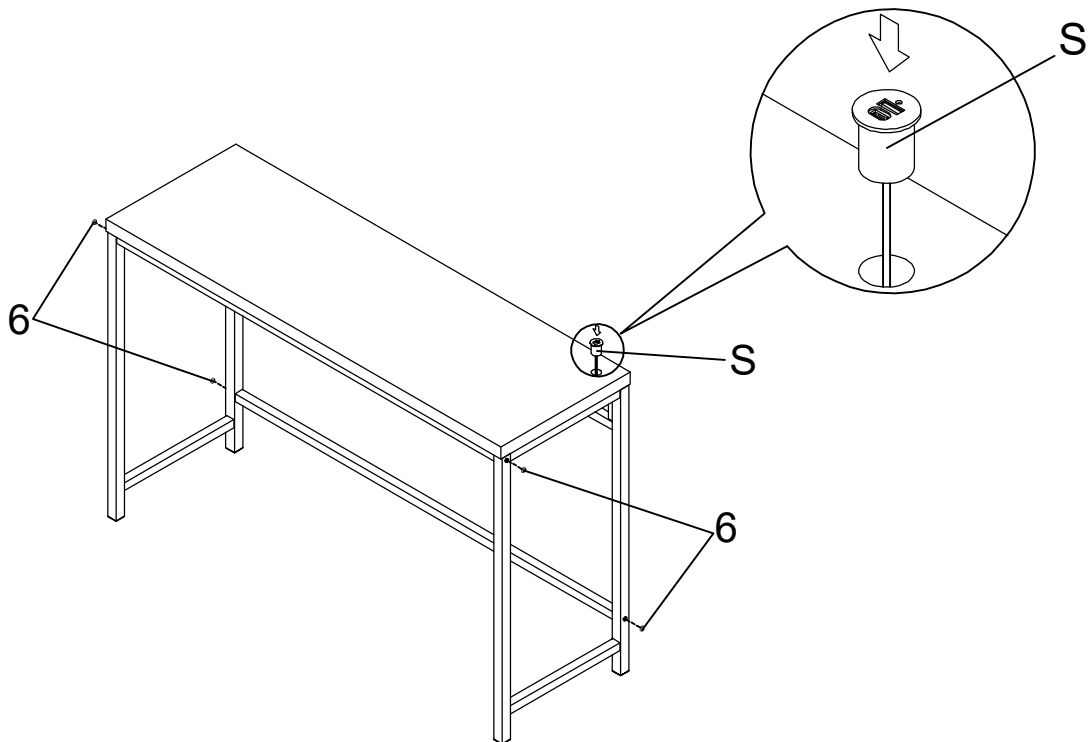
ASSEMBLY INSTRUCTIONS

STEP 3

Pay attention to this position

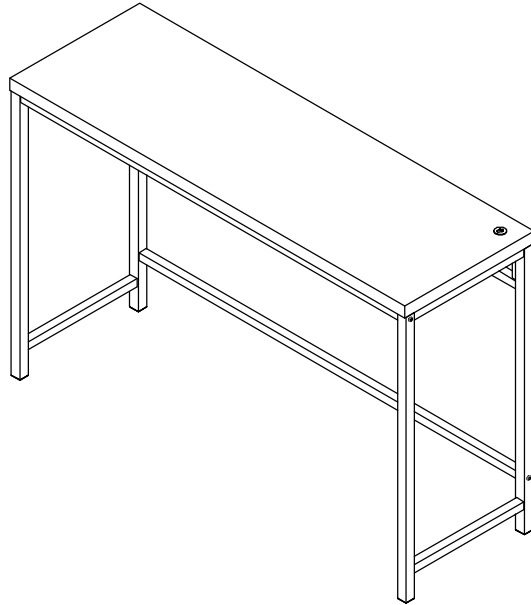


STEP 4

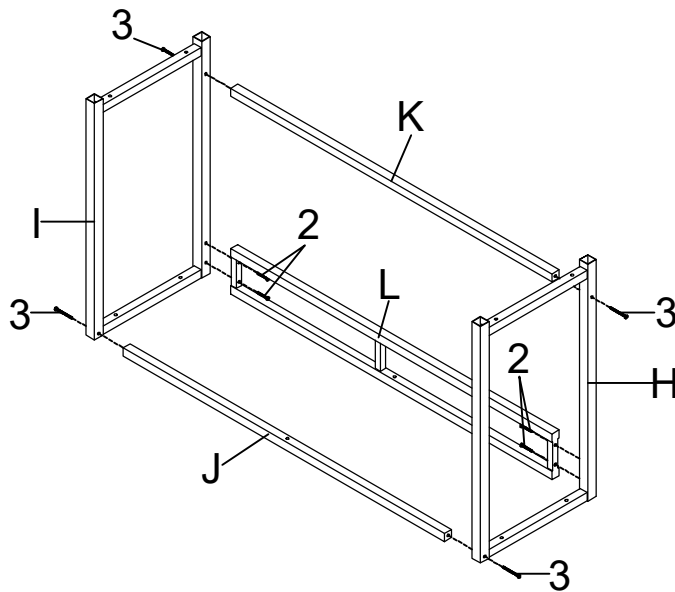


ASSEMBLY INSTRUCTIONS

STEP 5

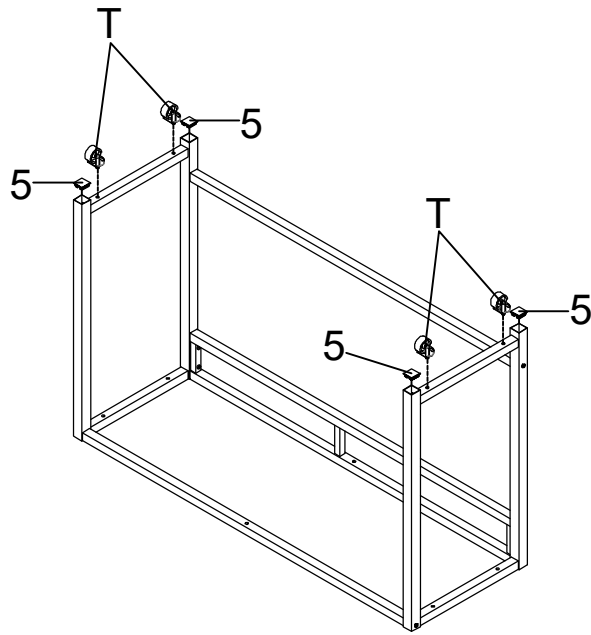


STEP 6

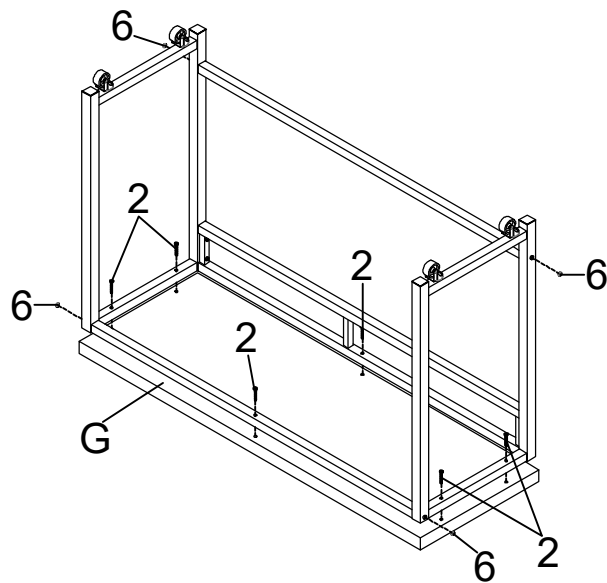


ASSEMBLY INSTRUCTIONS

STEP 7

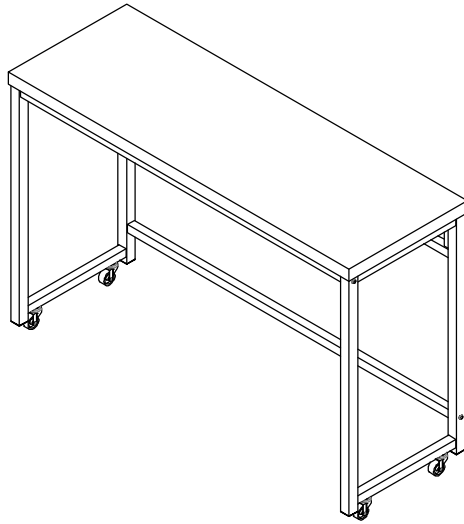


STEP 8

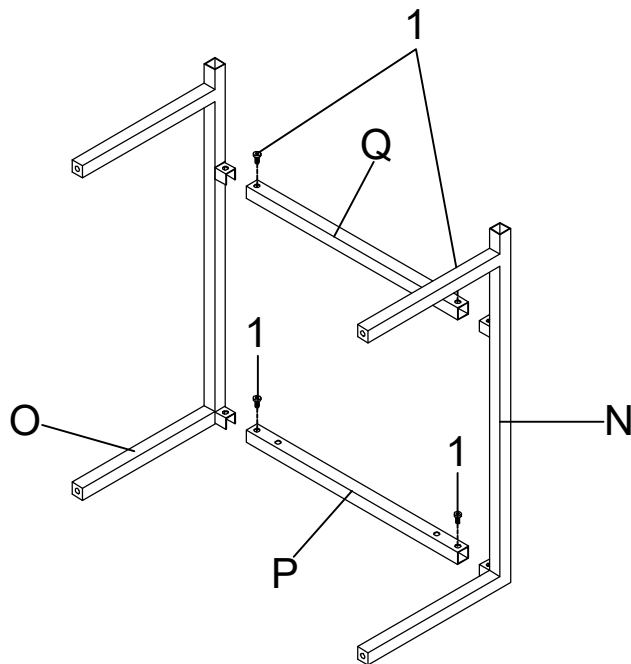


ASSEMBLY INSTRUCTIONS

STEP 9

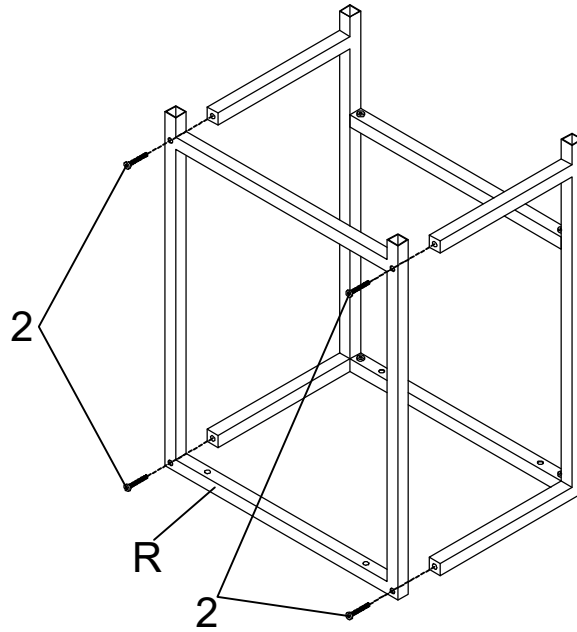


STEP 10

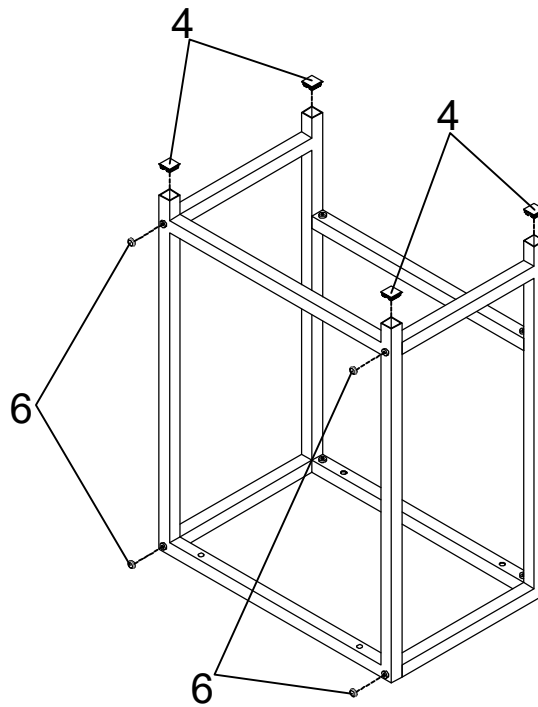


ASSEMBLY INSTRUCTIONS

STEP 11

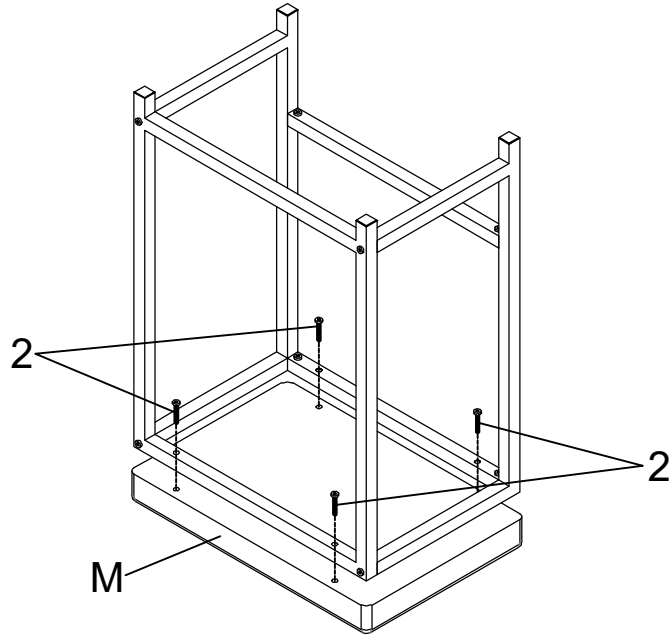


STEP 12

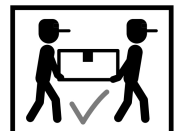
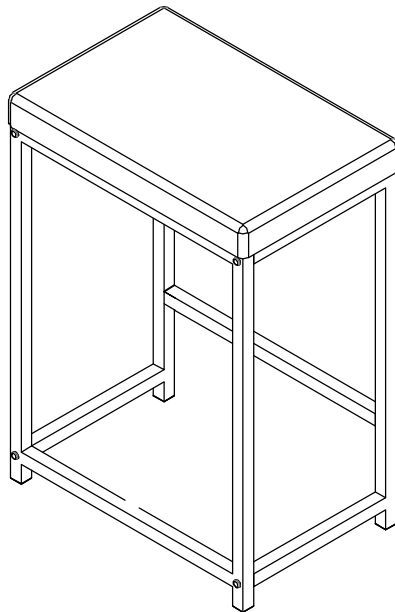


ASSEMBLY INSTRUCTIONS

STEP 13



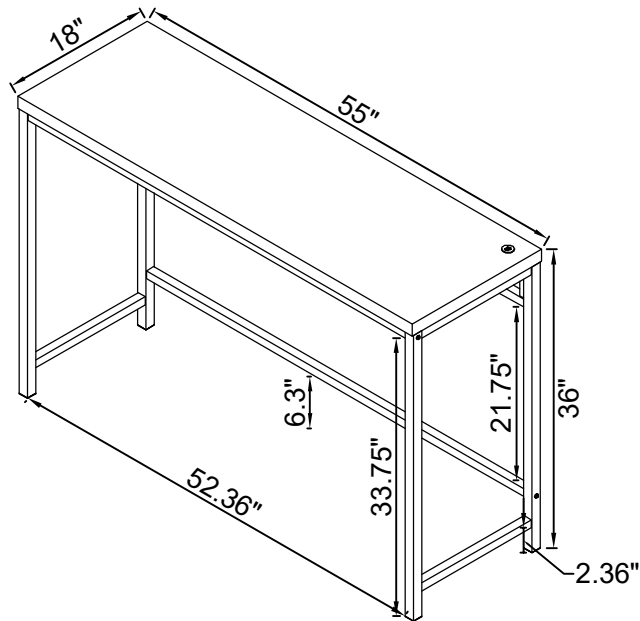
STEP 14



ASSEMBLY INSTRUCTIONS

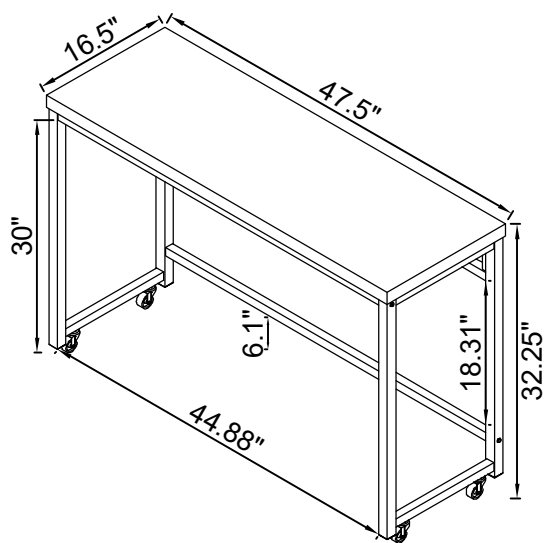
Product Size : 1397 X 457 X 914 H (MM)

Product Size : 55" X 18" X 36"



Product Size : 1207 X 419 X 819 H (MM)

Product Size : 47.5" X 16.5" X 32.25"

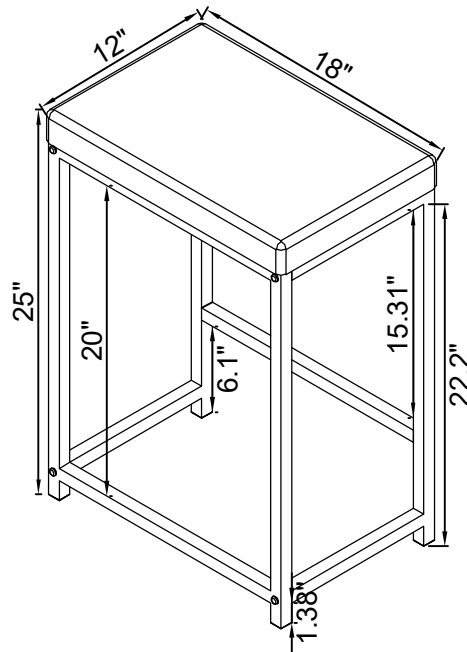


Note : Dimension tolerance $\pm 5\%$

ASSEMBLY INSTRUCTIONS

Product Size : 457 X 305 X 635 H (MM)

Product Size : 18" X 12" X 25"



Note : Dimension tolerance $\pm 5\%$