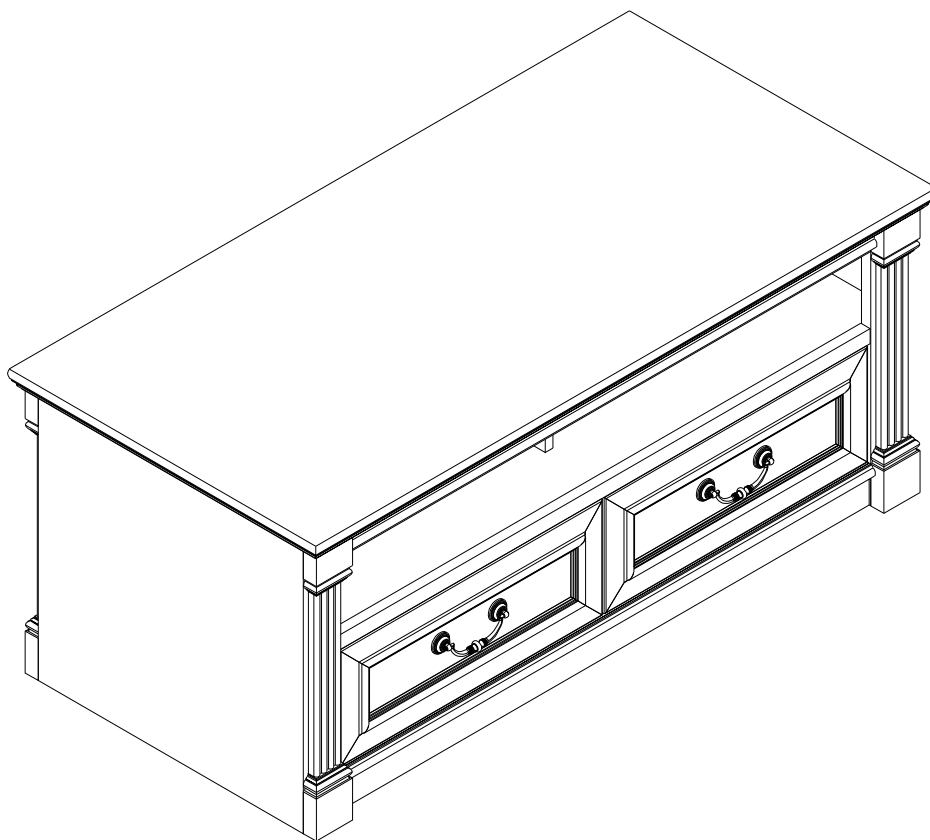


Traditional American Coffee Table

Assembly Instruction



Vicissitudes

INTRODUCTION

Thank you for purchasing our products. Please read the instructions carefully before installation and keep it in a safe place for future reference. If you need any assistance or support, please feel free to contact our customer support team.

PRECAUTIONS

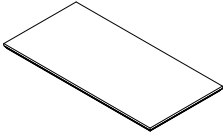
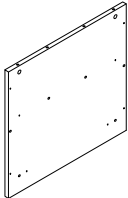
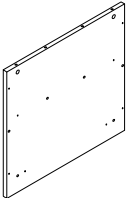

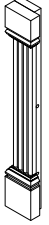
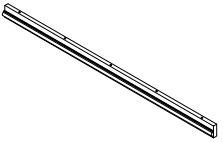
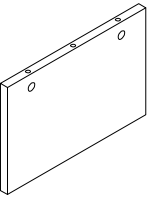
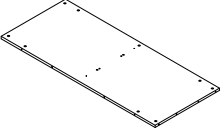
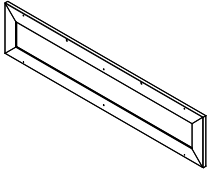
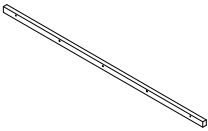
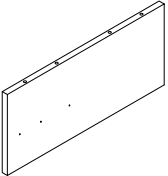
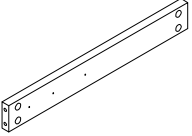
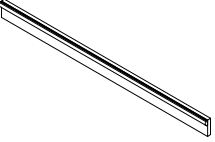
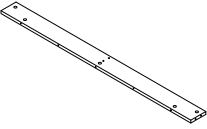
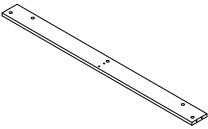
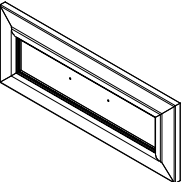
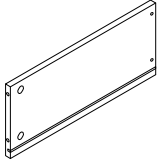
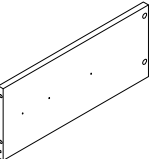
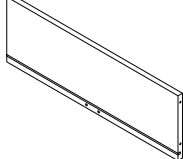
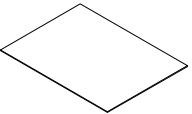
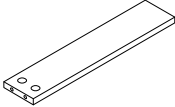
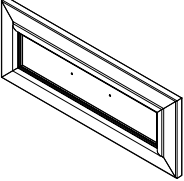

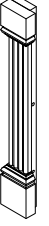
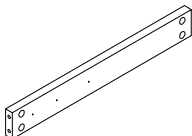
1. There are many components and accessories in the package. Each component and accessory is labeled with a letter or a number, check carefully before using any of them. Keep them away from children to prevent accidents.
2. Please install the product on a clean and soft underlay (such as carpet or cardboard) to avoid scratching or damaging the surface of the product.
3. The main components of the product are relatively heavy. Please pay attention to safety during installation.
4. The product is not stable during installation. Please do not move it randomly until it is completely installed.
5. If you have any questions during installation, please contact the customer service in time.

***PLEASE BE SURE TO FOLLOW THE INSTALLATION STEPS IN THE MANUAL TO AVOID UNNECESSARY LOSSES CAUSED BY IMPROPER INSTALLATION.**

***IF YOU NEED FURTHER ASSISTANCE, PLEASE CONTACT THE CUSTOMER SERVICE ONLINE.**

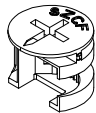
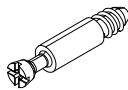
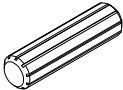
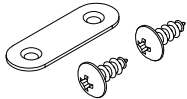
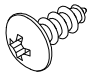
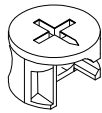
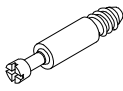
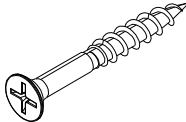
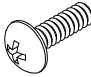
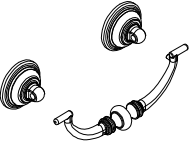
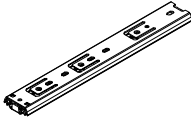
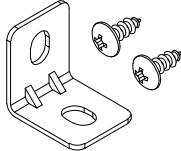
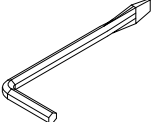
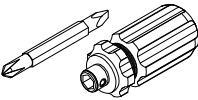
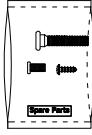
Vicissitudes

Parts List

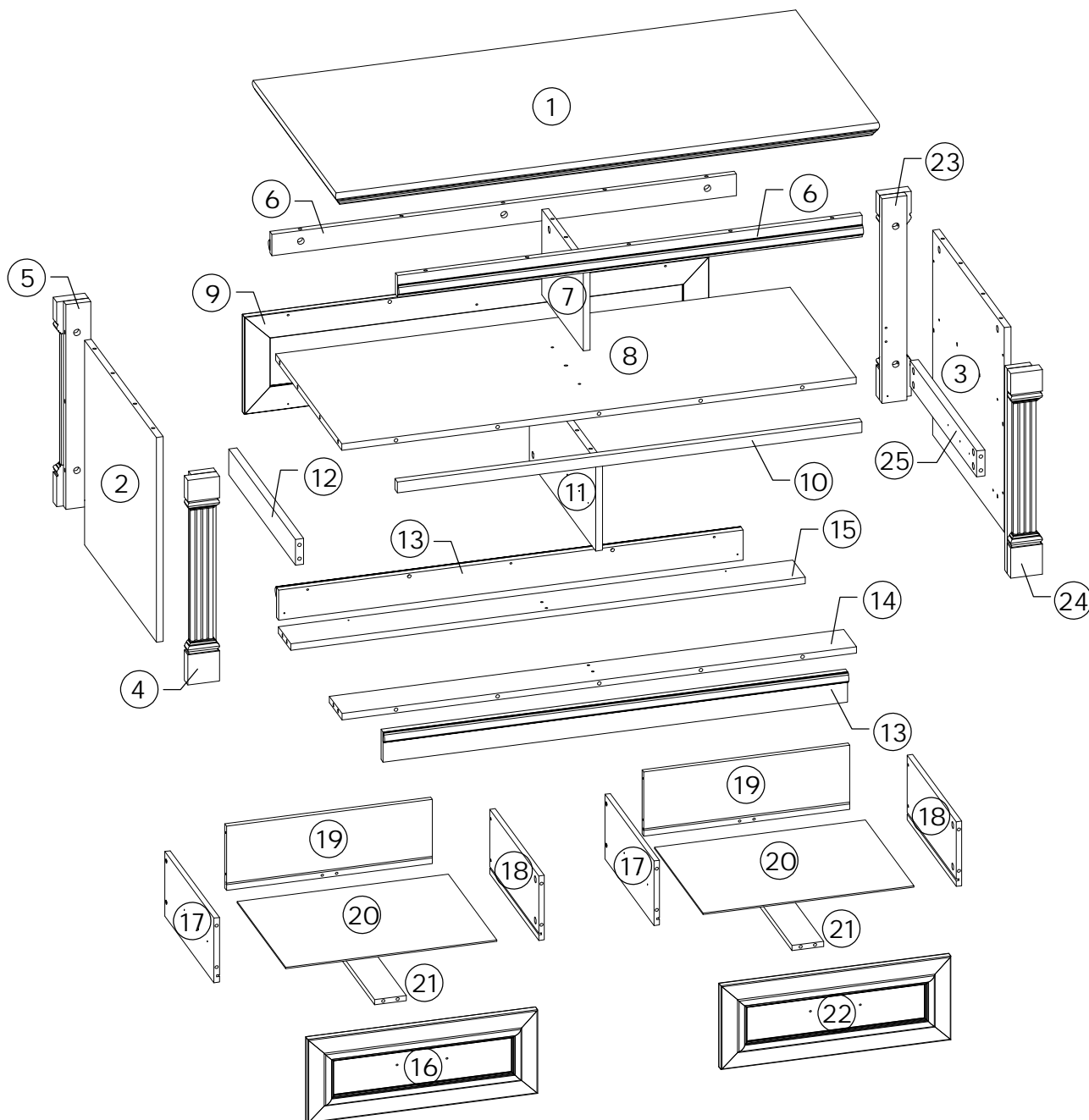
 ① × 1	 ② × 1	 ③ × 1	 ④ × 1	 ⑤ × 1
 ⑥ × 2	 ⑦ × 1	 ⑧ × 1	 ⑨ × 1	 ⑩ × 1
 ⑪ × 1	 ⑫ × 2	 ⑬ × 2	 ⑭ × 1	 ⑮ × 1
 ⑯ × 1	 ⑰ × 2	 ⑱ × 2	 ⑲ × 2	 ⑳ × 2
 ㉑ × 2	 ㉒ × 1	 ㉓ × 1	 ㉔ × 1	 ㉕ × 1

Vicissitudes

Hardware List



<p>Ø15*12mm</p>  <p>A × 51</p>	<p>Ø7*34mm</p>  <p>B × 51</p>	<p>Ø8*30mm</p>  <p>C × 32</p>	 <p>D × 4</p>	<p>#6*12mm</p>  <p>E × 24</p>
<p>Ø15*10mm</p>  <p>F × 12</p>	<p>Ø7*34mm</p>  <p>G × 12</p>	<p>#10*37mm</p>  <p>H × 18</p>	<p>M4*12mm</p>  <p>I × 4</p>	 <p>J × 2</p>
 <p>K × 4</p>	 <p>L × 2</p>	 <p>M × 1</p>	 <p>N × 1</p>	 <p>O × 1</p>

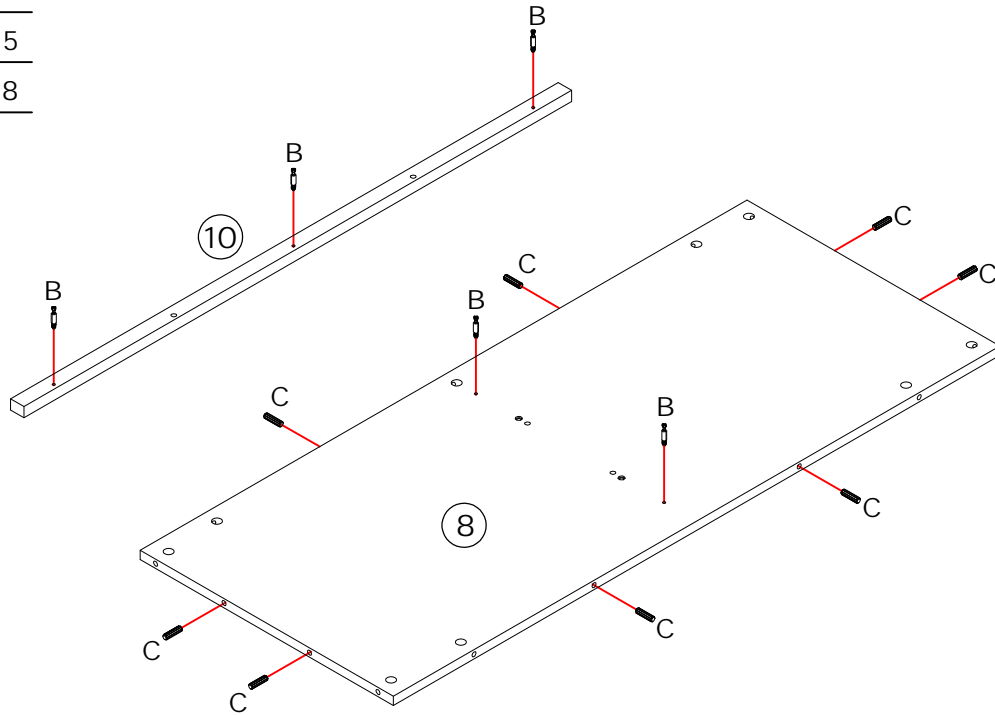
Vicissitudes




Vicissitudes

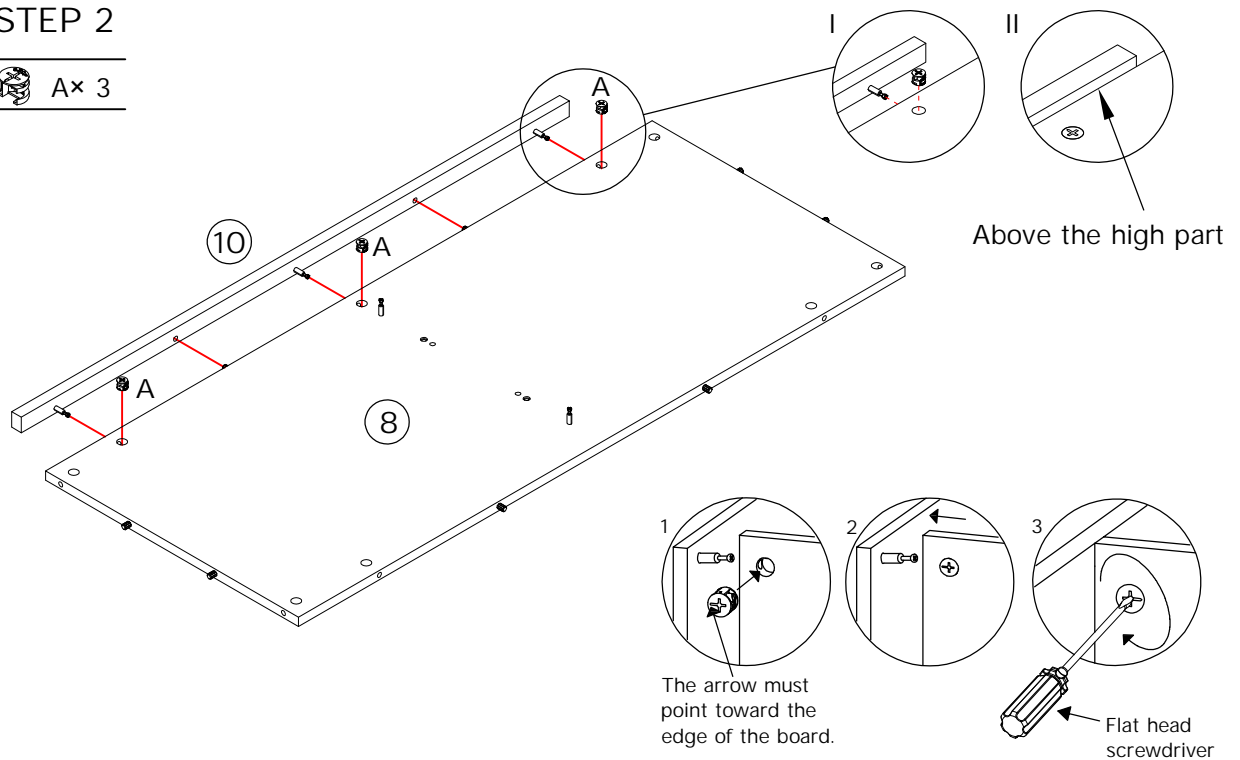
STEP 1

-  B × 5
-  C × 8



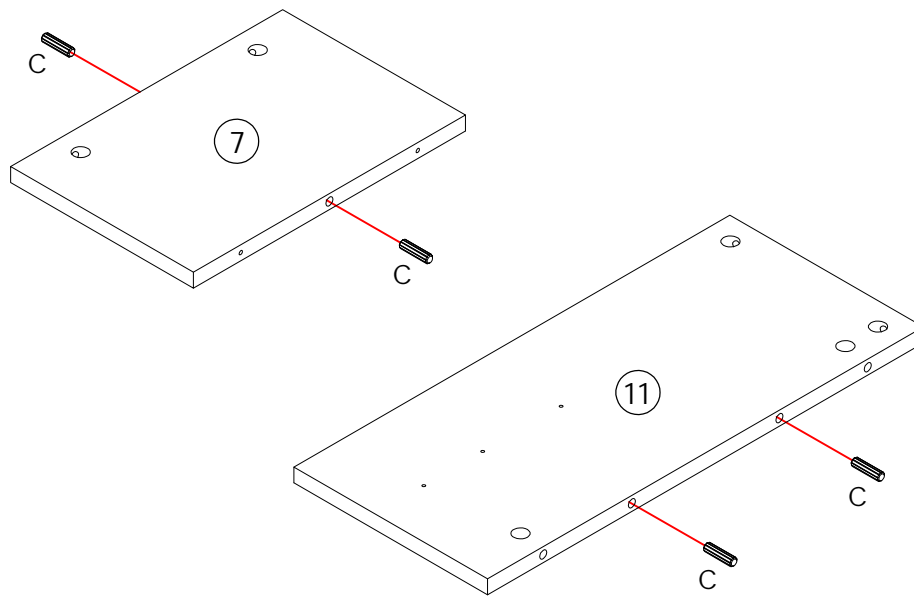
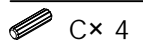
STEP 2

-  A × 3



Vicissitudes

STEP 3

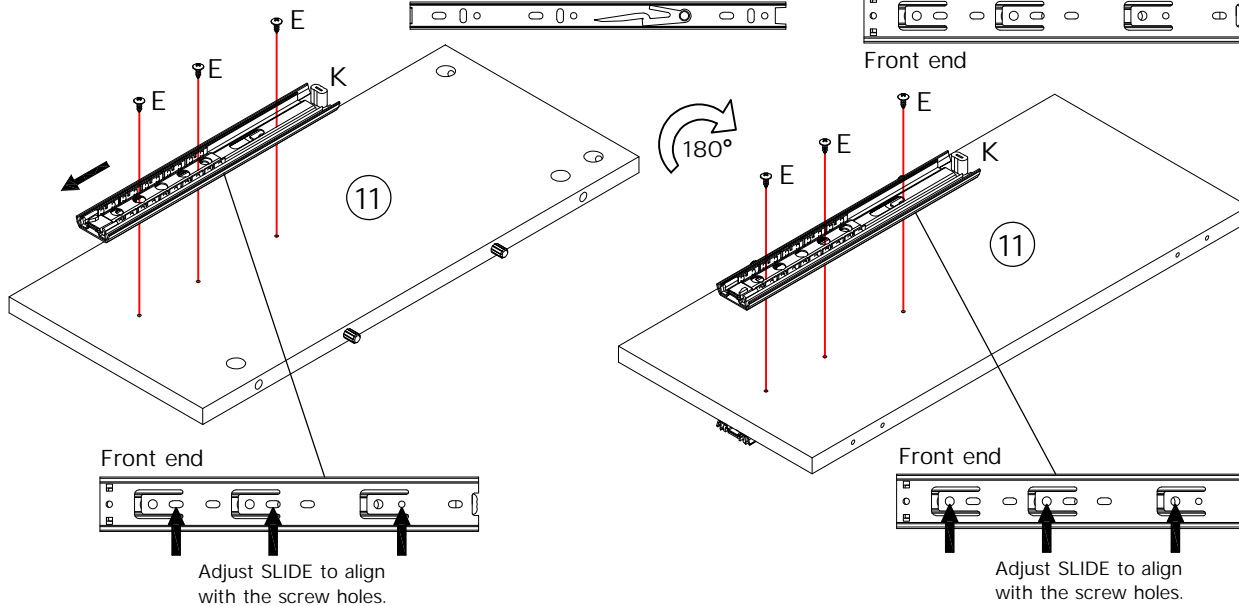
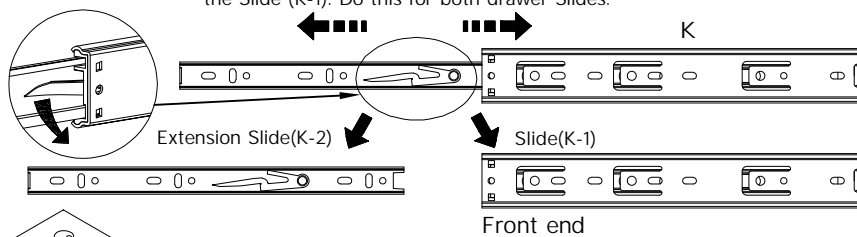


STEP 4



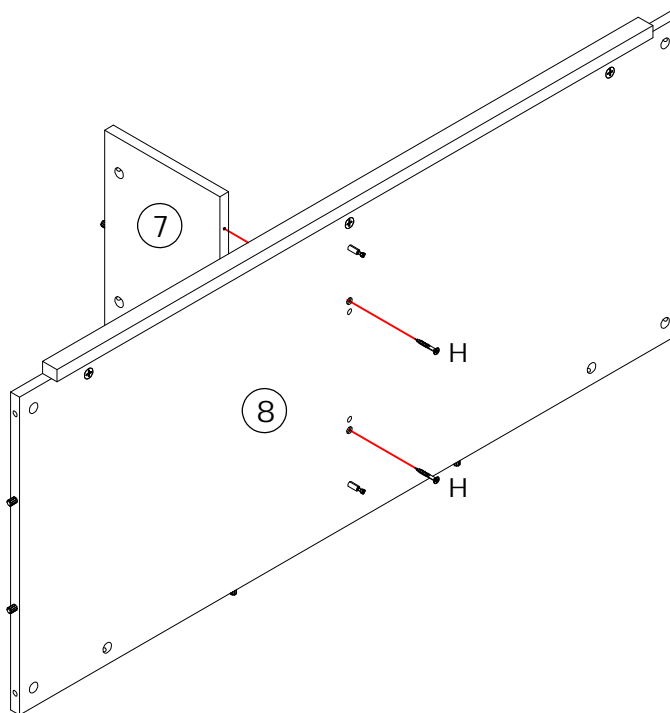
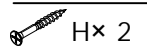
Detaching the Slide

Press lever to disconnect and separate the Extension Slide (K-2) from the Slide (K-1). Do this for both drawer Slides.

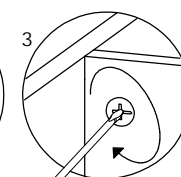
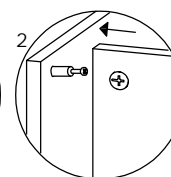
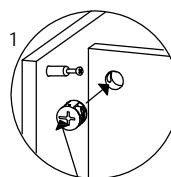
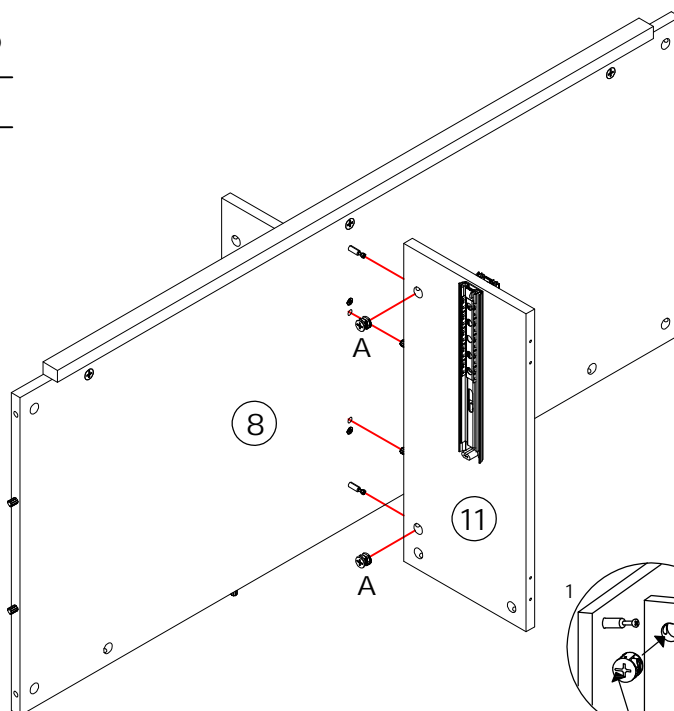
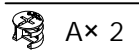


Vicissitudes

STEP 5



STEP 6

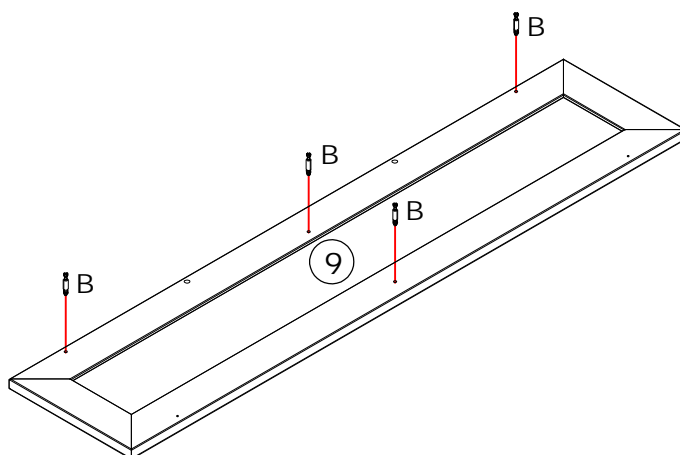


The arrow must point toward the edge of the board.

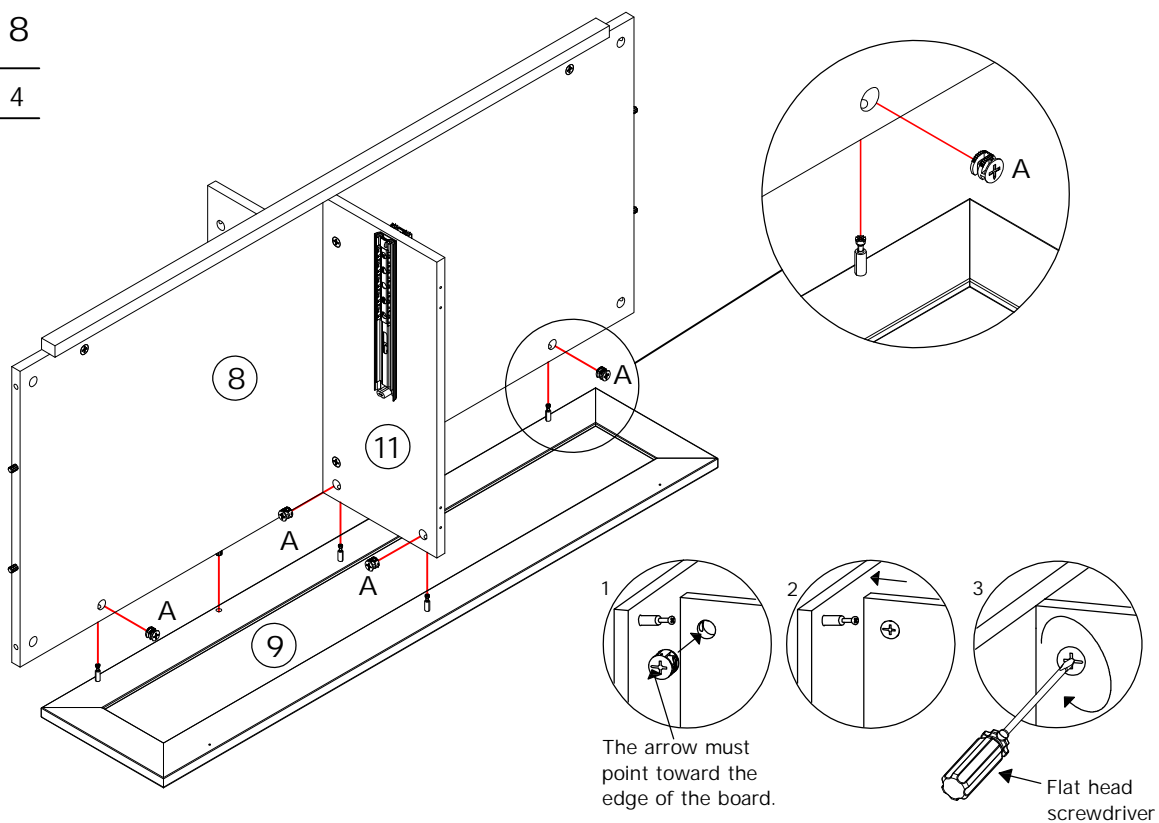
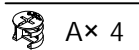
Flat head screwdriver

Vicissitudes

STEP 7



STEP 8

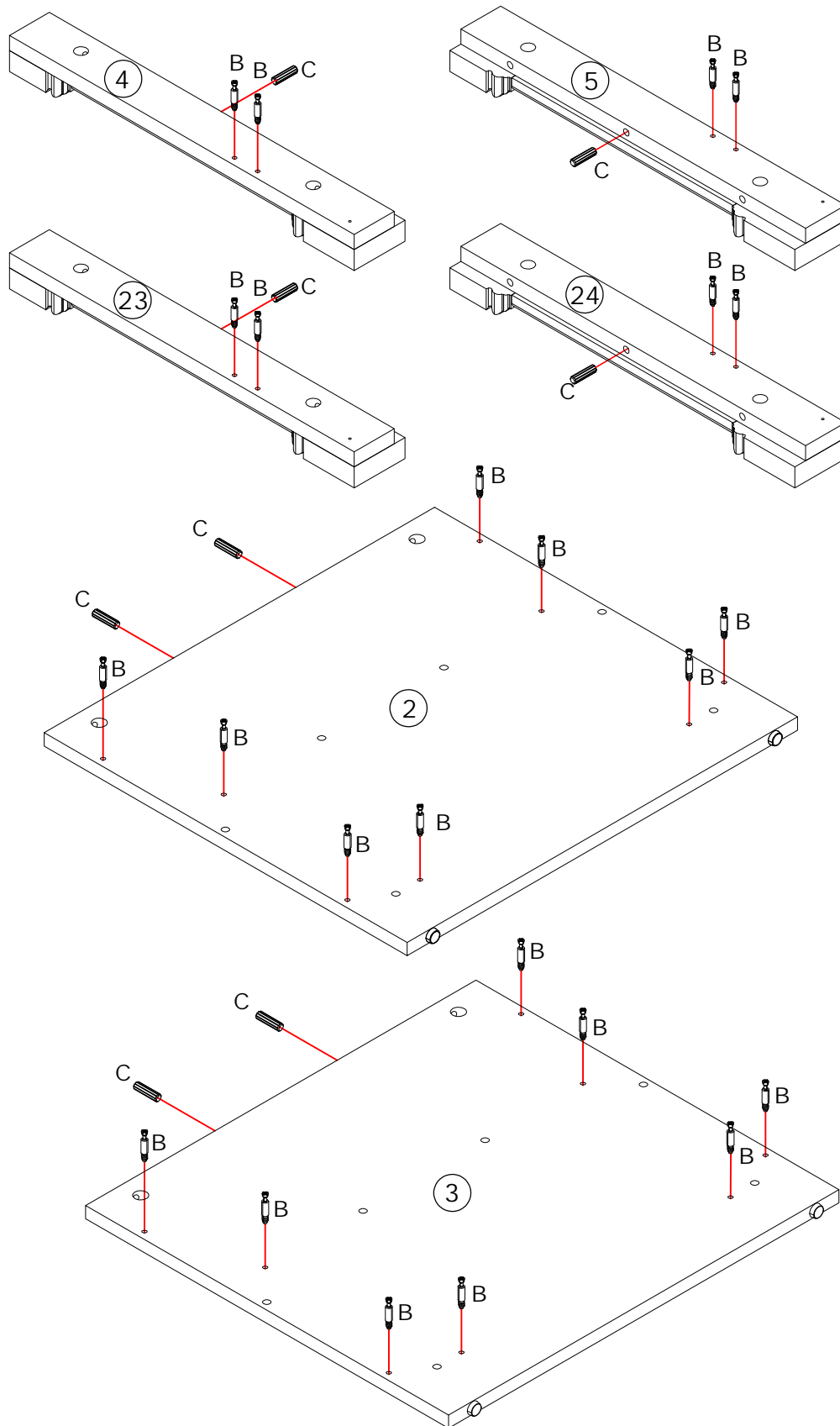


Vicissitudes

STEP 9

 B x 24

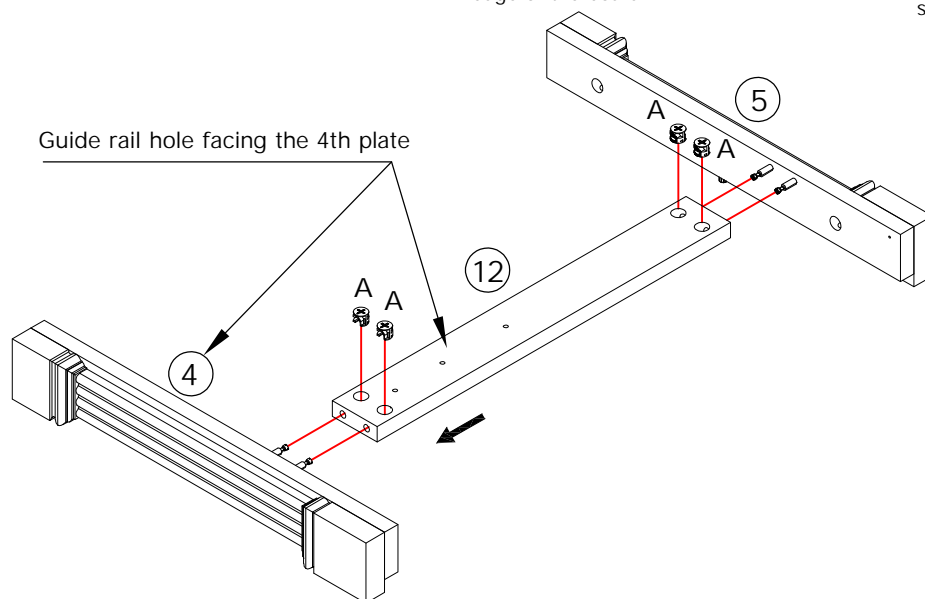
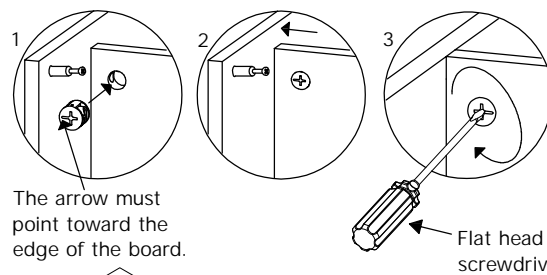
 C x 8




Vicissitudes

STEP 10

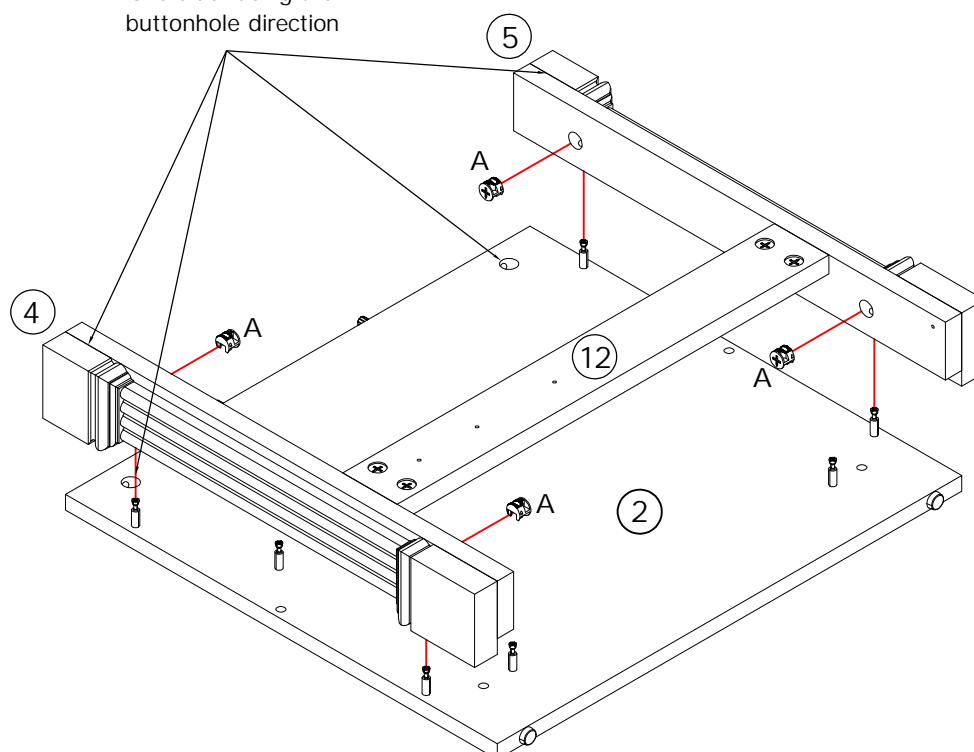
 A × 4



STEP 11

 A × 4

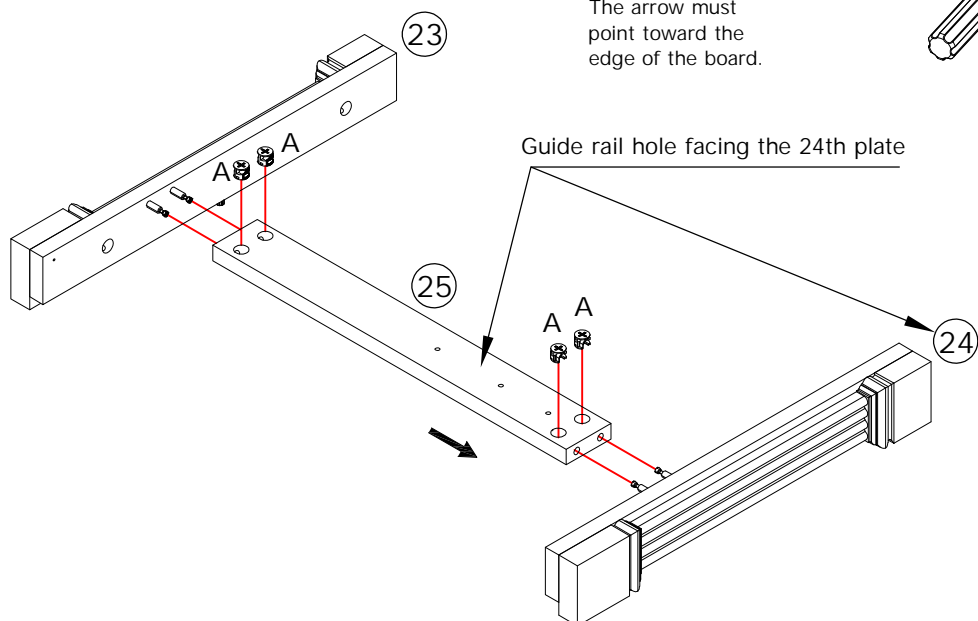
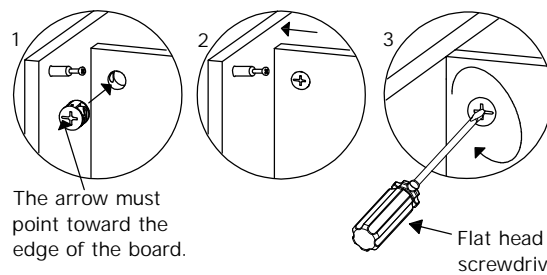
Short Roman pillar with one side facing the buttonhole direction




Vicissitudes

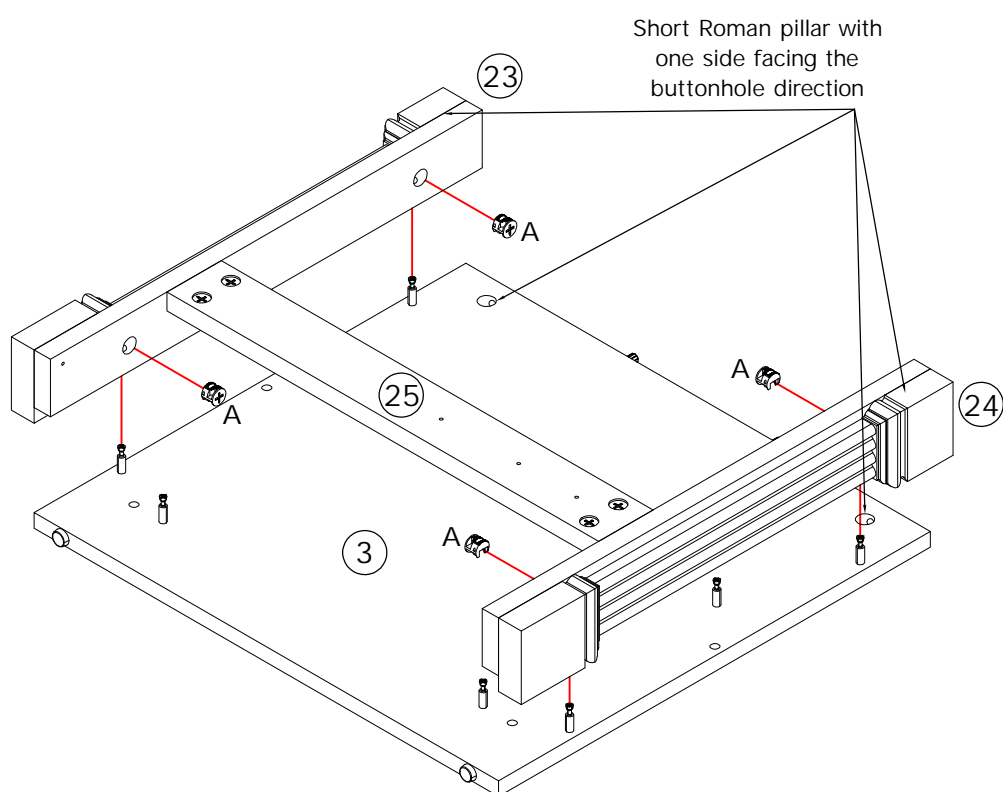
STEP 12

 A x 4



STEP 13

 A x 4

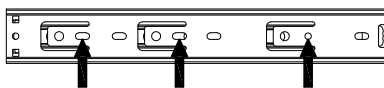


Vicissitudes

STEP 14

 E × 6

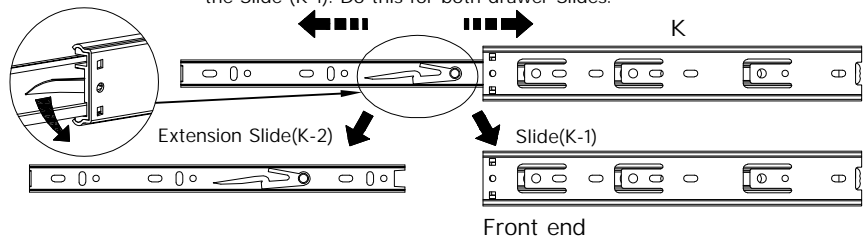
 K × 2



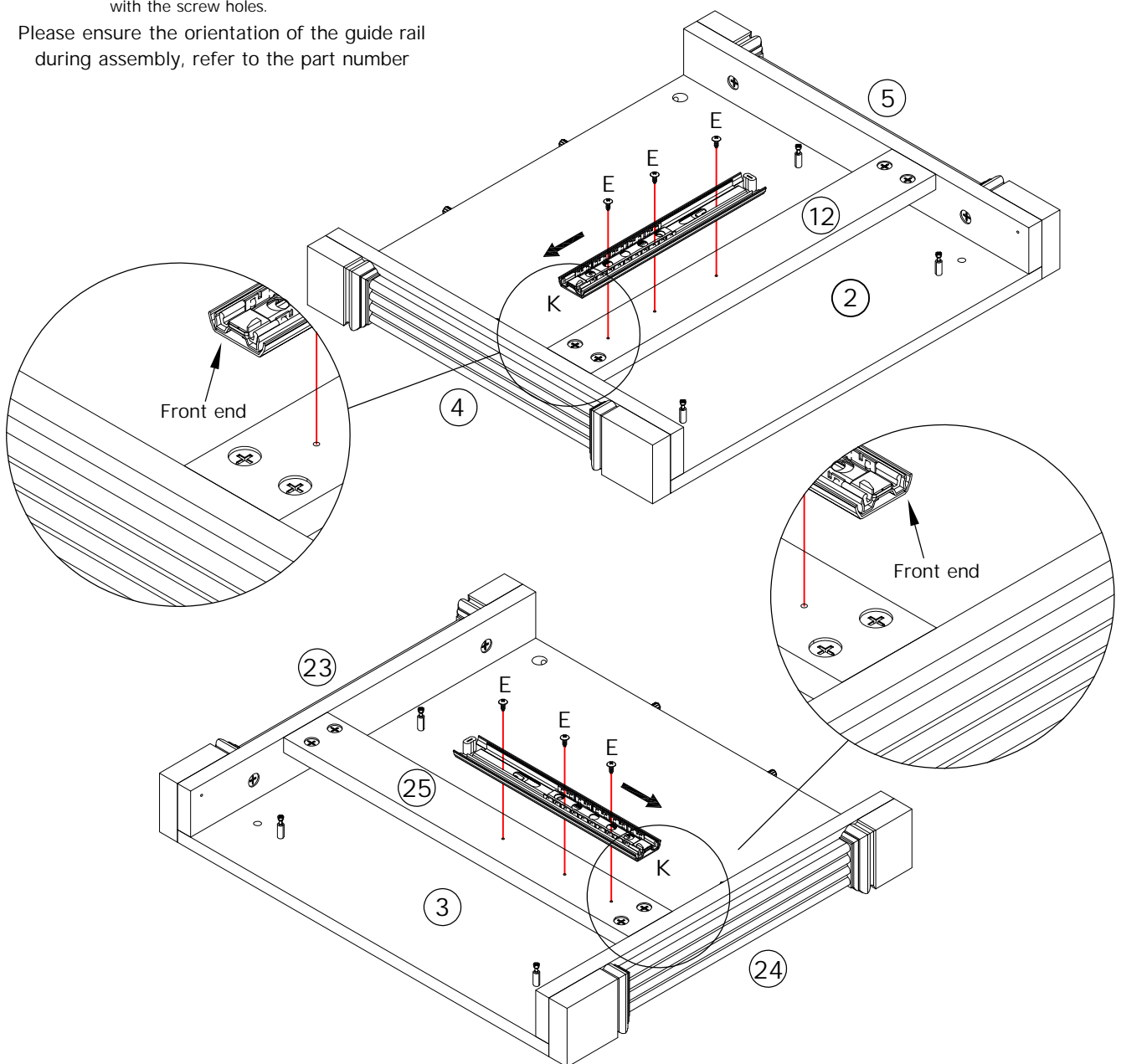
Adjust SLIDE to align with the screw holes.

Detaching the Slide

Press lever to disconnect and separate the Extension Slide (K-2) from the Slide (K-1). Do this for both drawer Slides.




Please ensure the orientation of the guide rail during assembly, refer to the part number



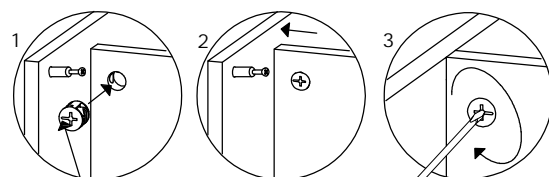
Vicissitudes

STEP 15


 A × 2

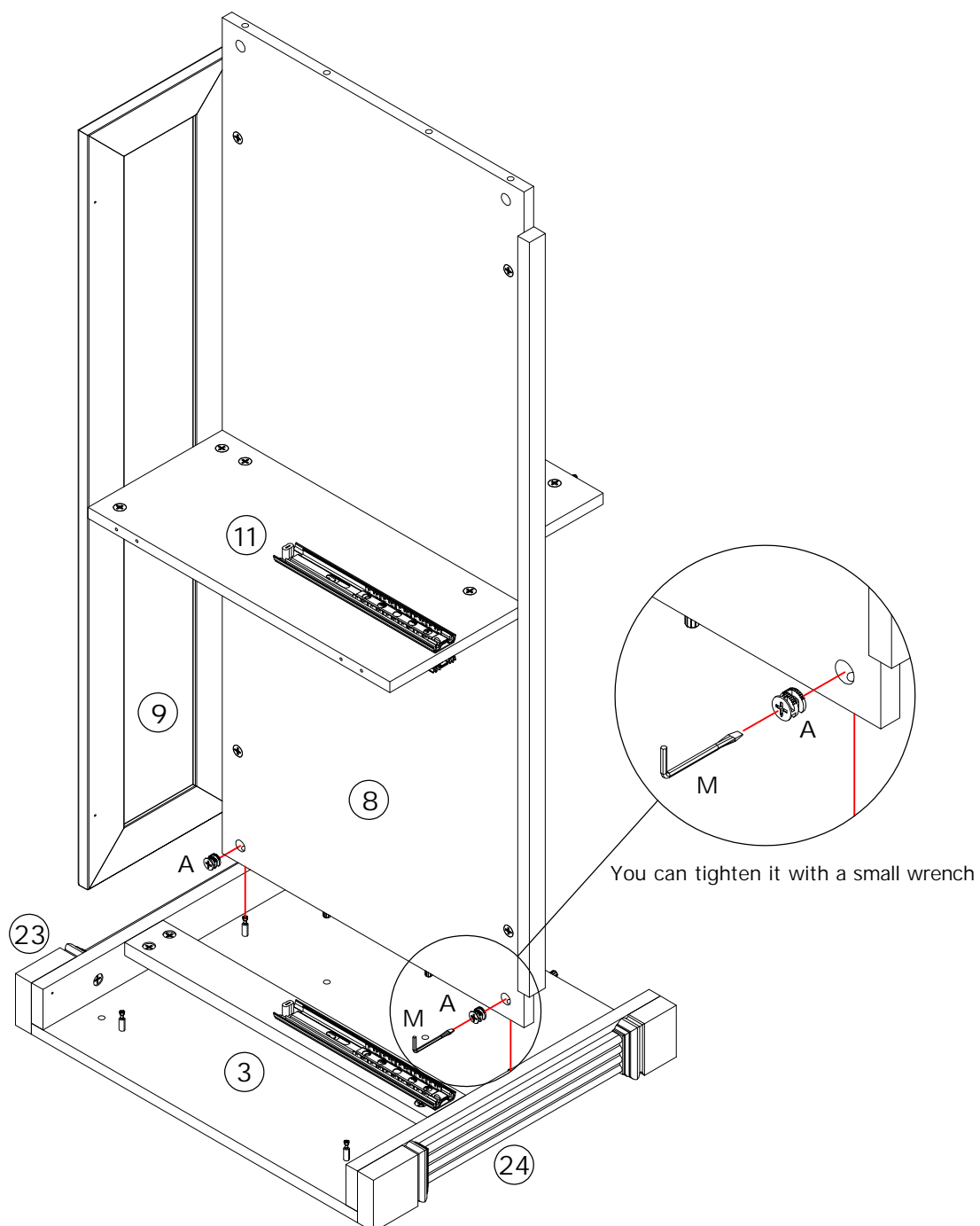
 M × 1

Please ensure the orientation of the guide rail during assembly, refer to the part number





The arrow must point toward the edge of the board.

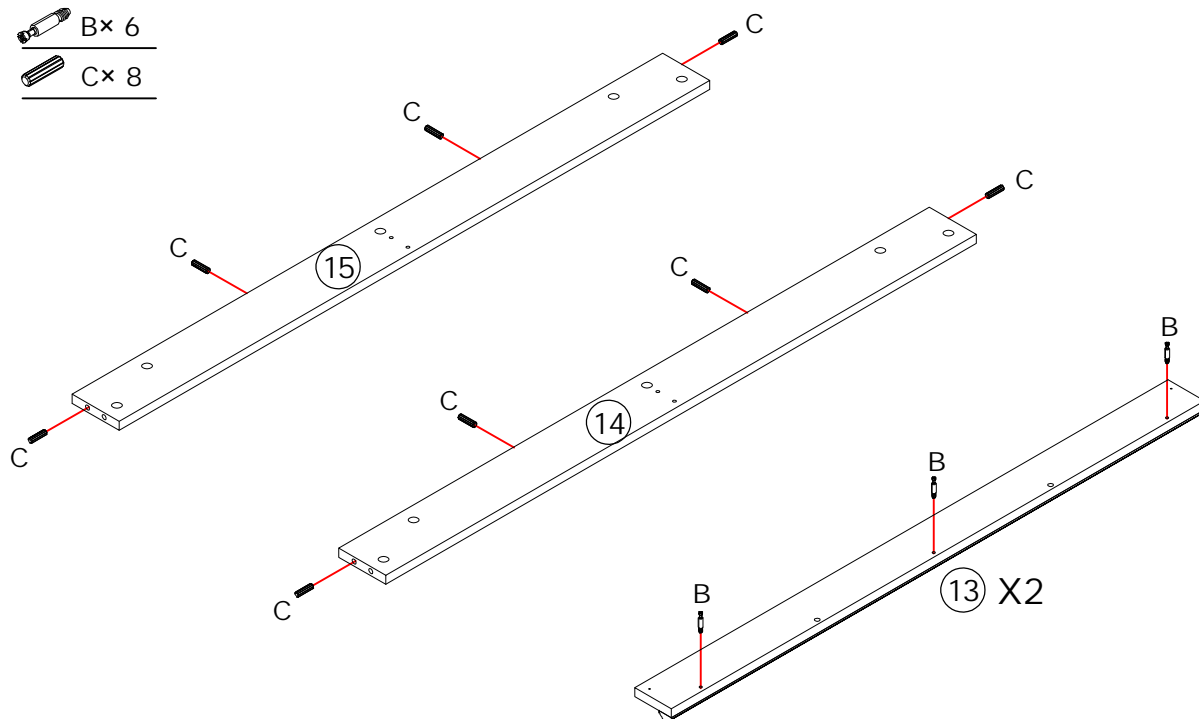
 Flat head screwdriver




Vicissitudes

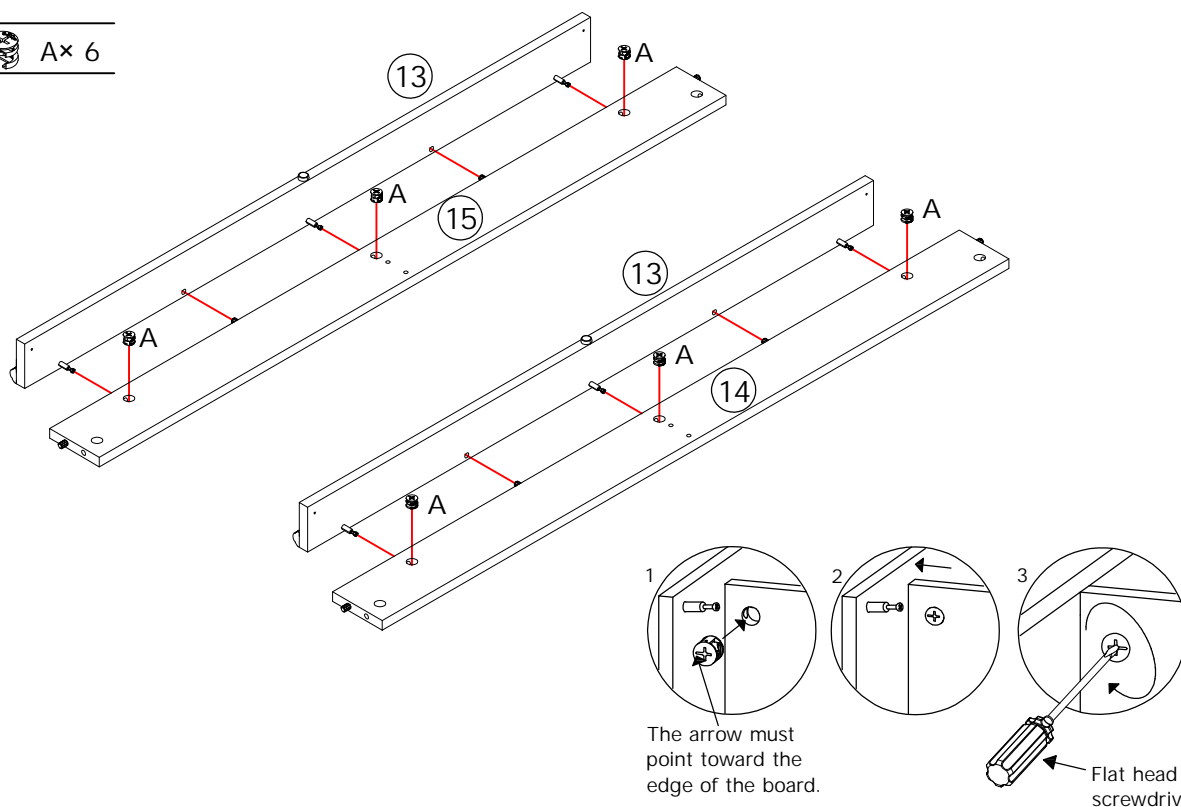
STEP 16

-  B x 6
-  C x 8




STEP 17

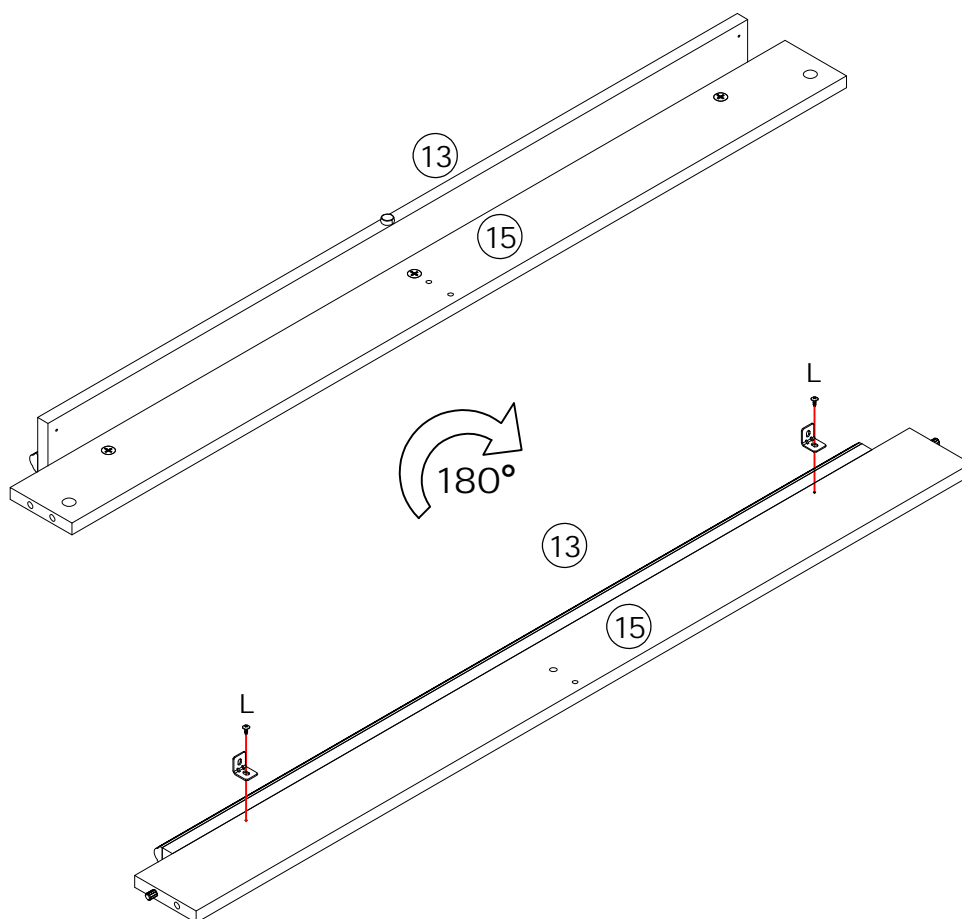
-  A x 6



Vicissitudes



STEP 18

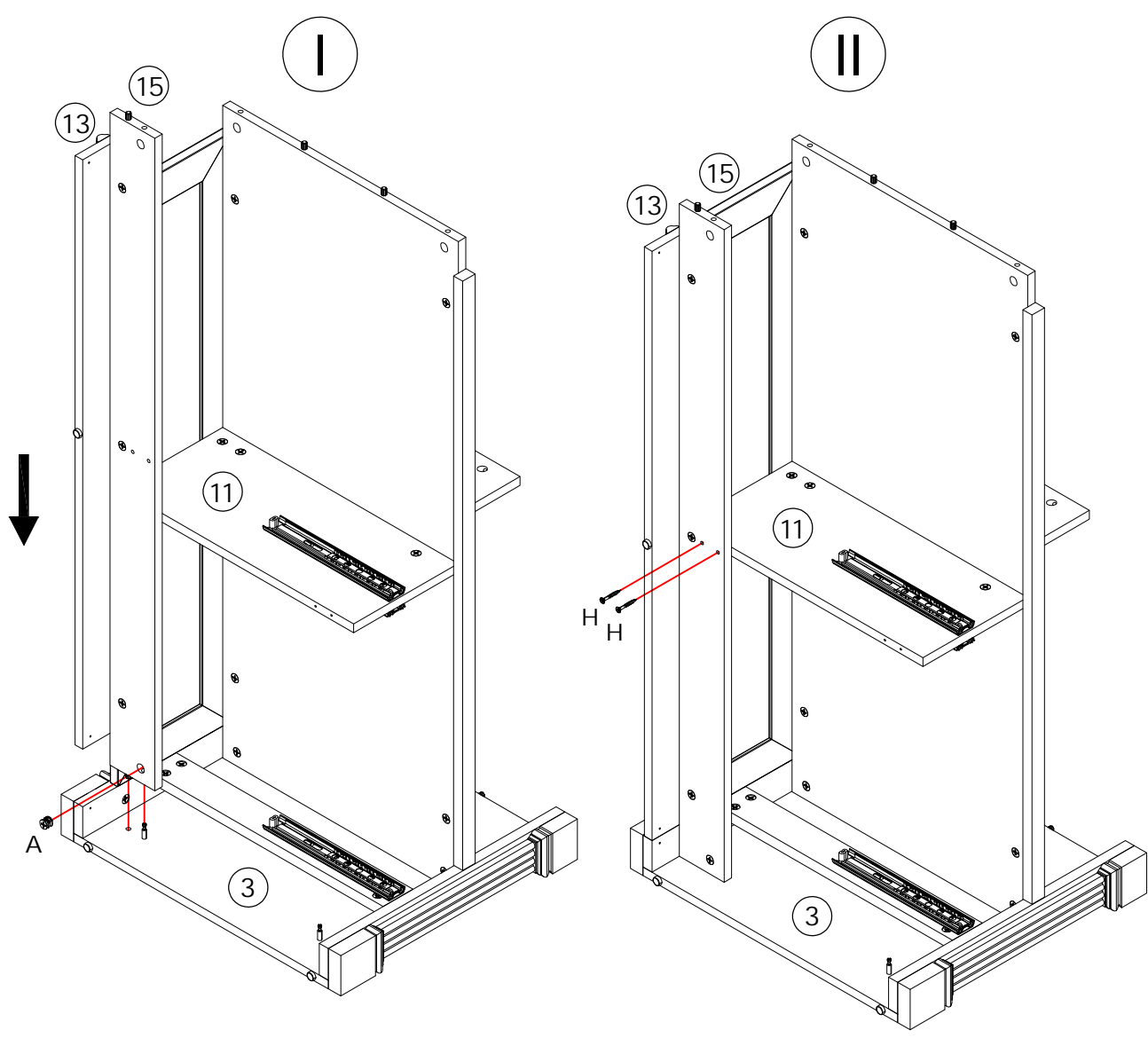
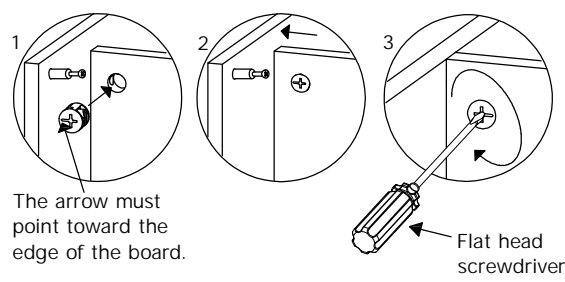
 L x 2



Vicissitudes

STEP 19

-  A × 1
-  H × 2

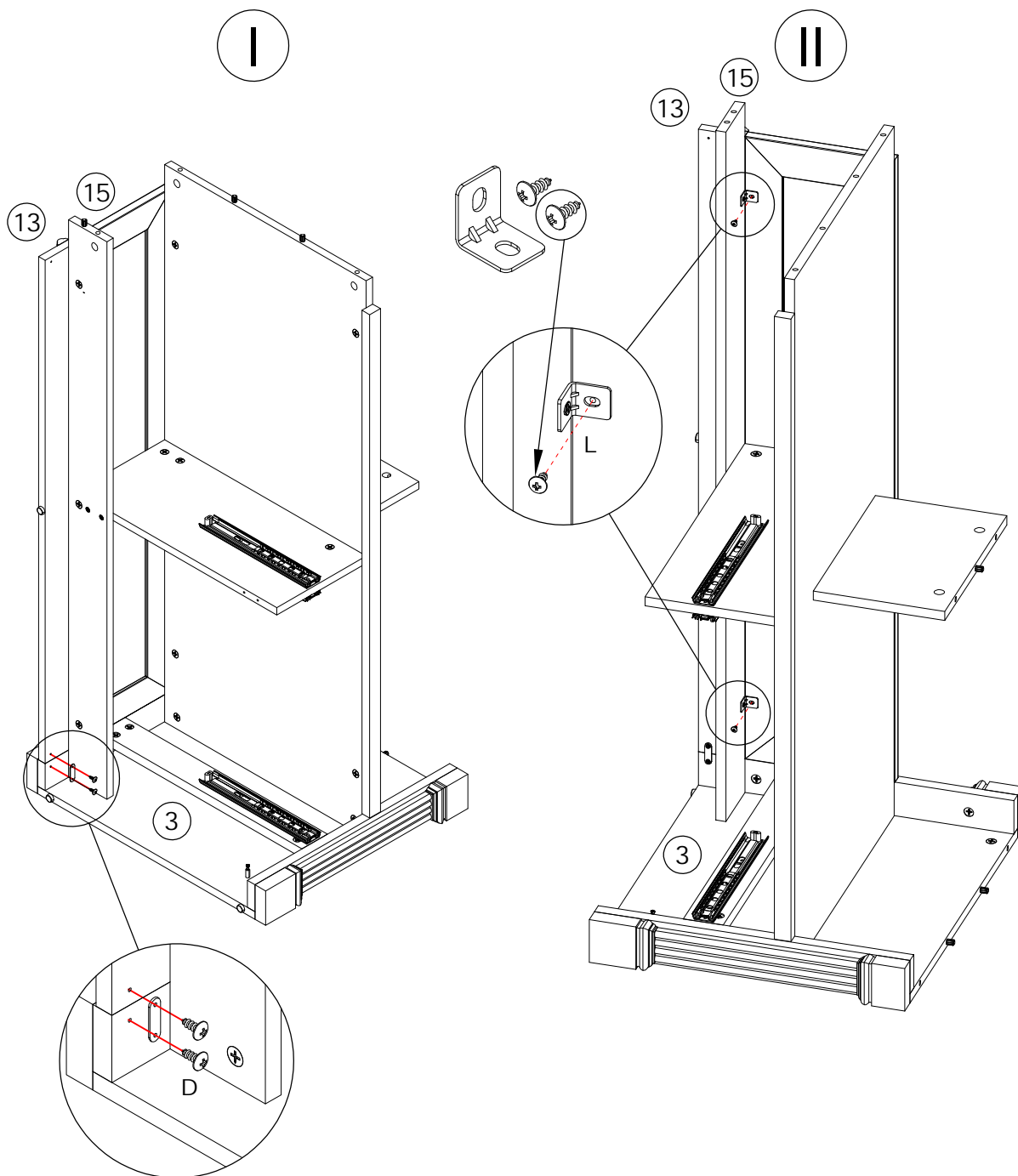


Vicissitudes

STEP 20




 D × 1

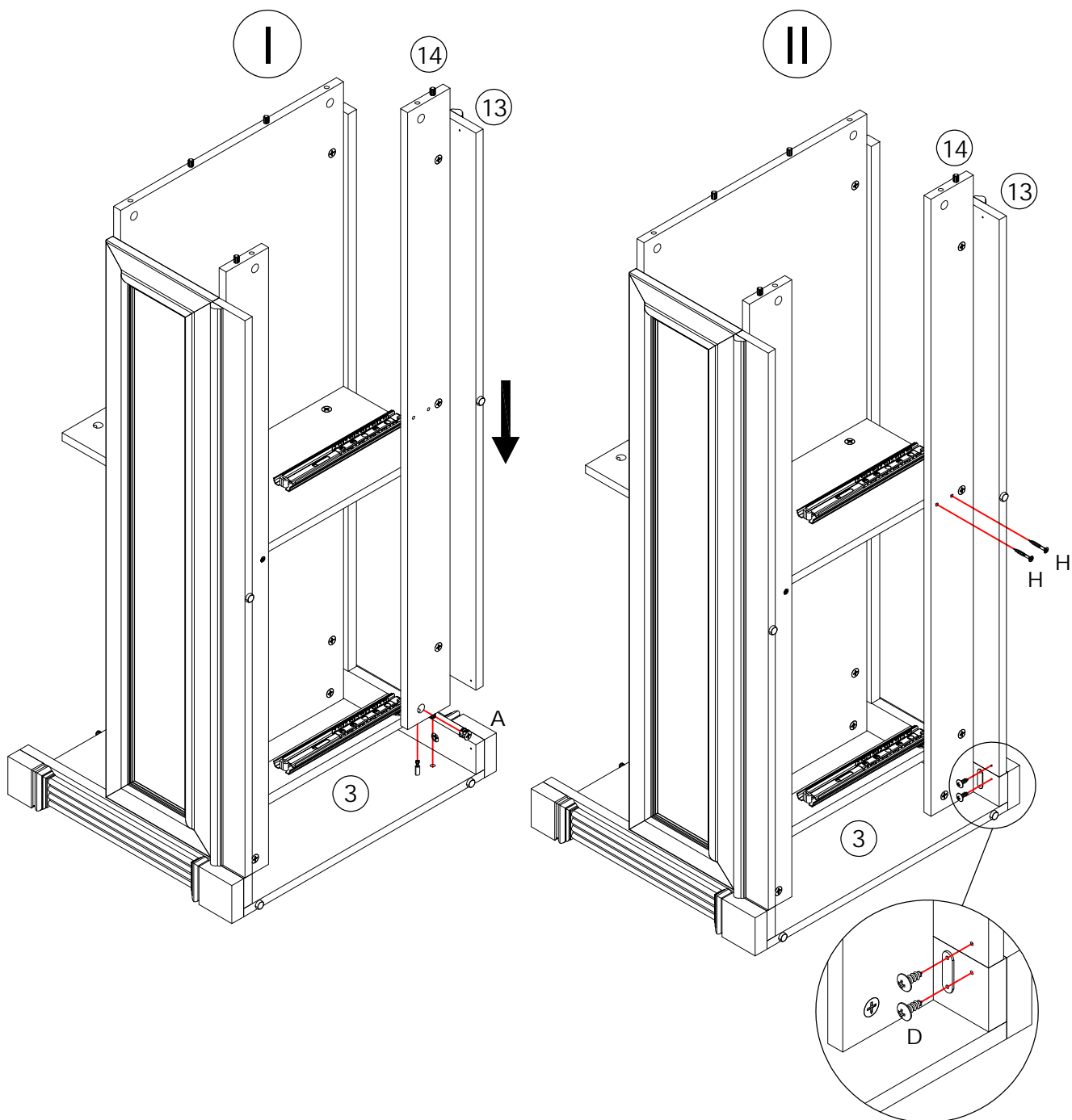
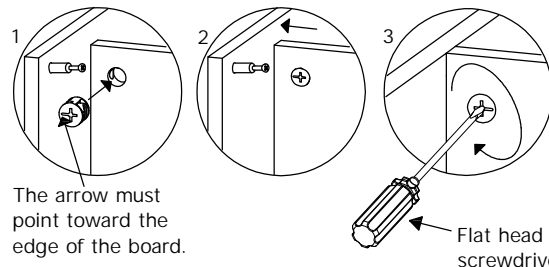
 L × 2



Vicissitudes



STEP 21

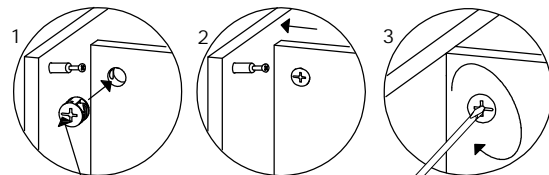
-  A × 1
-  H × 2
-  D × 1



Vicissitudes

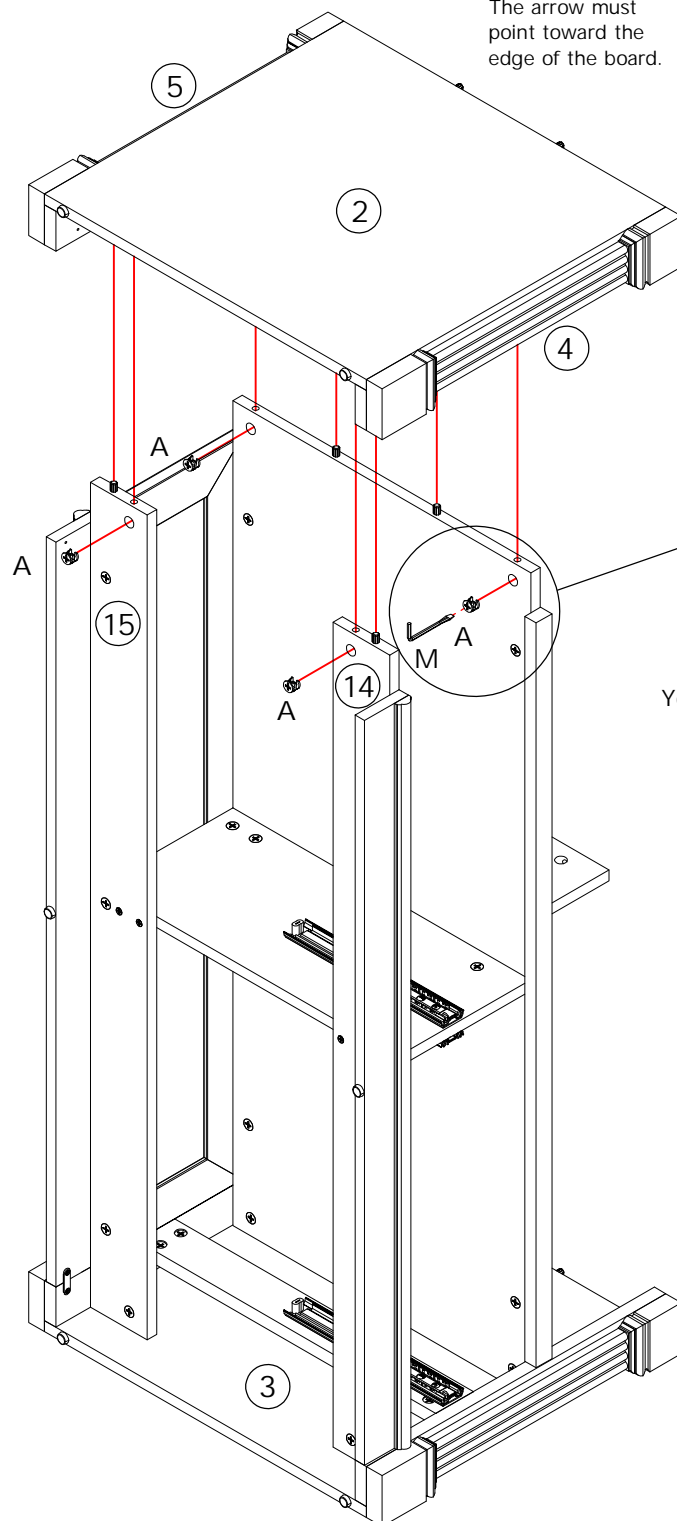
STEP 22

-  A × 4
-  M × 1



The arrow must point toward the edge of the board.

Flat head screwdriver

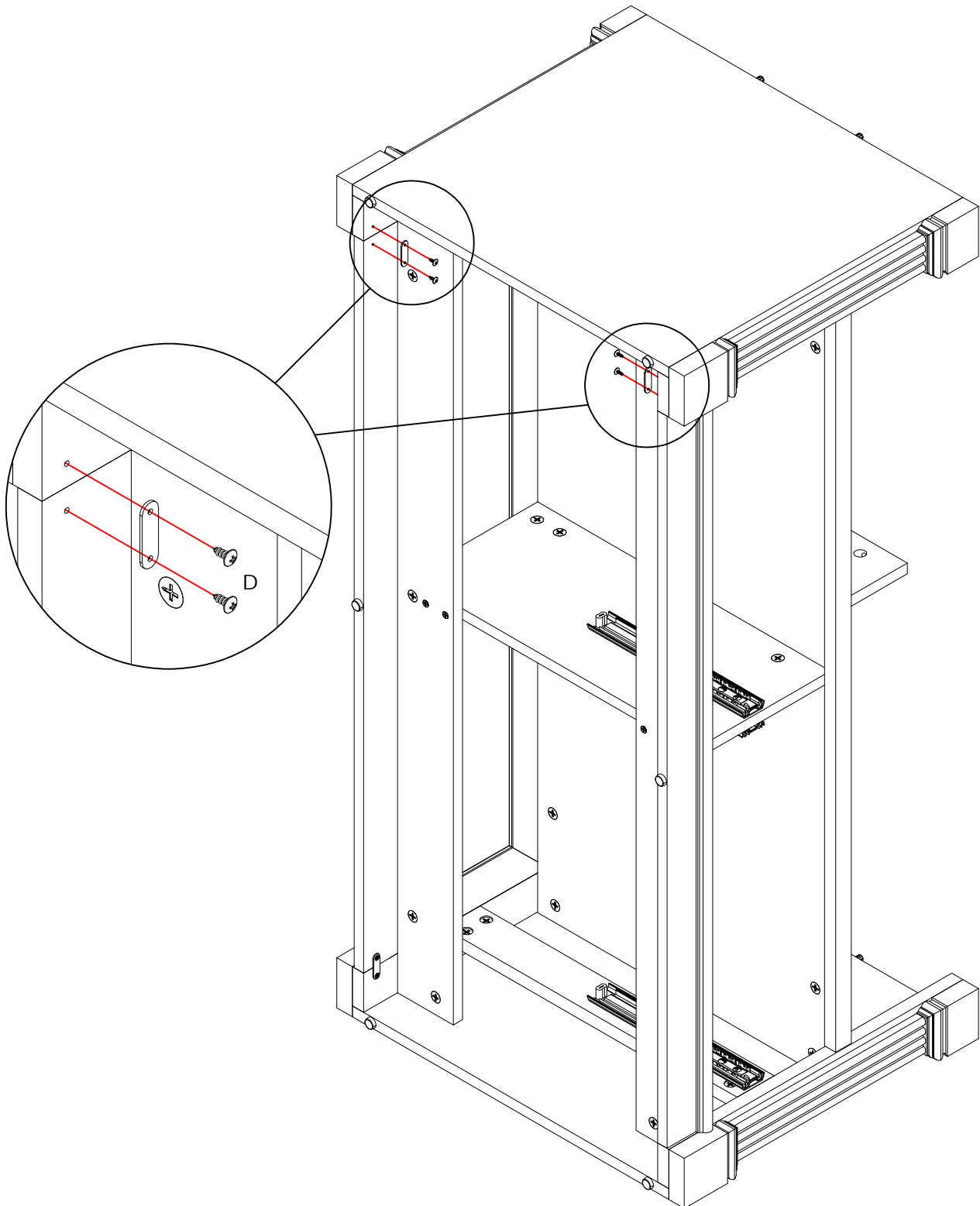


You can tighten it with a small wrench

Vicissitudes

STEP 23


 D × 2

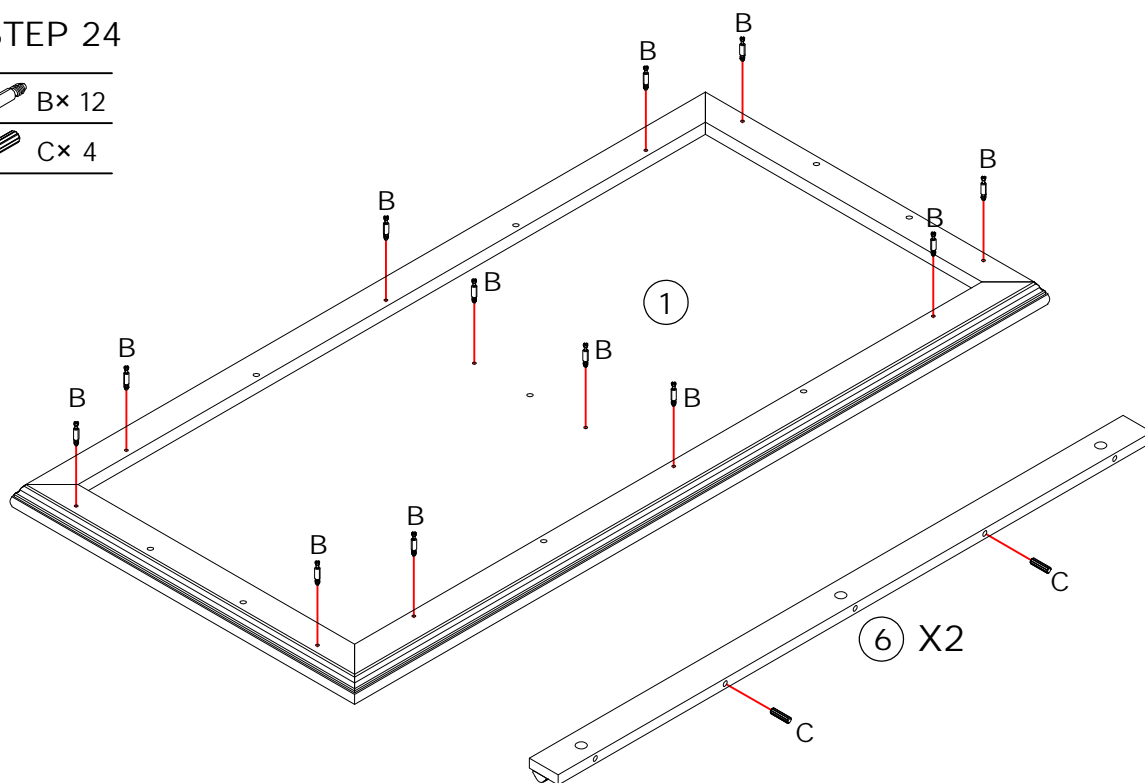


Vicissitudes


STEP 24

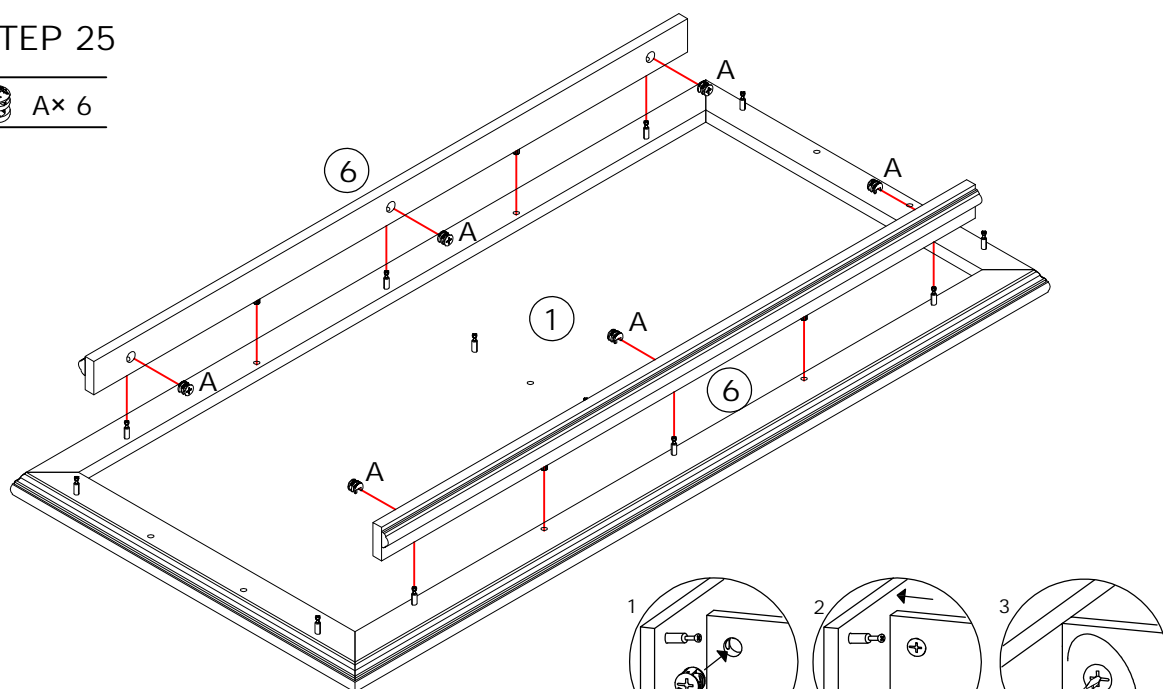
 B x 12

 C x 4



STEP 25

 A x 6

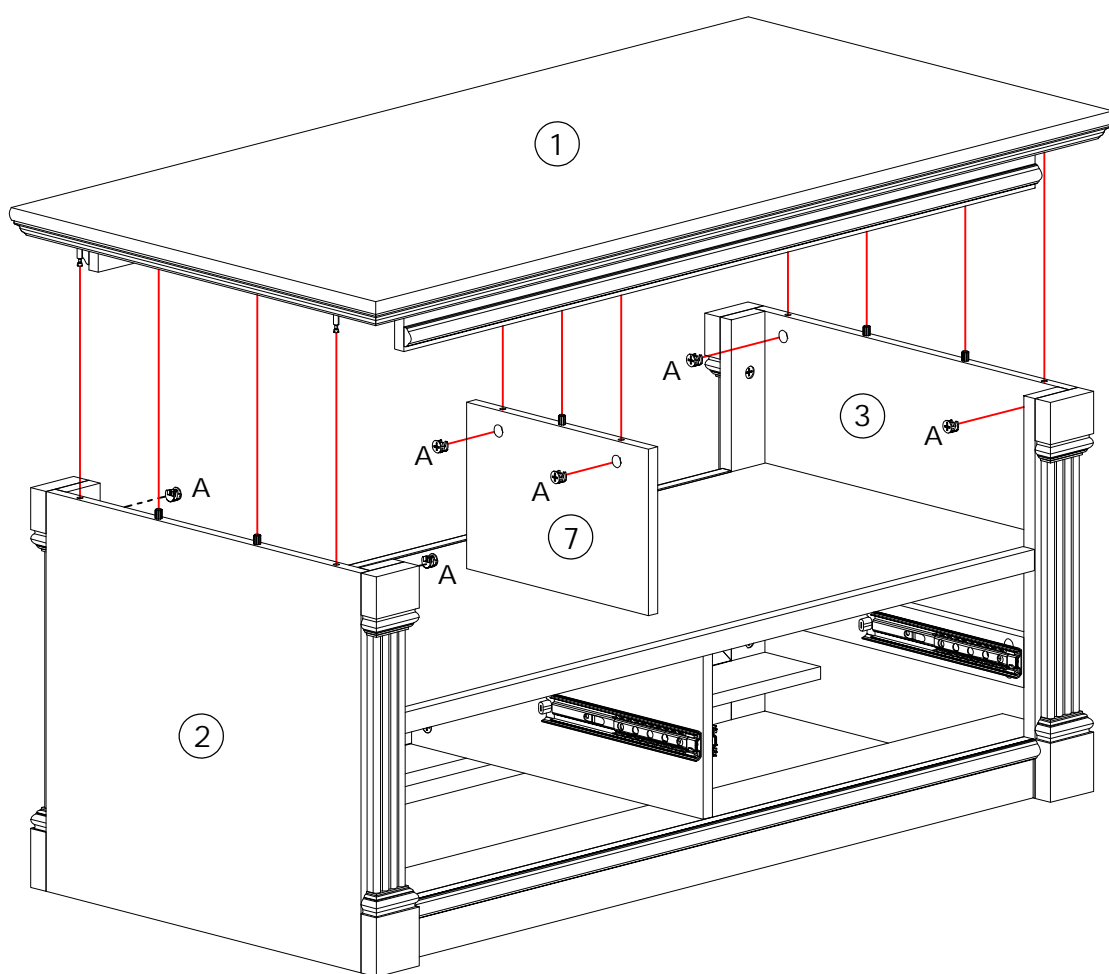
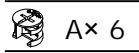


The arrow must point toward the edge of the board.

Flat head screwdriver

Vicissitudes

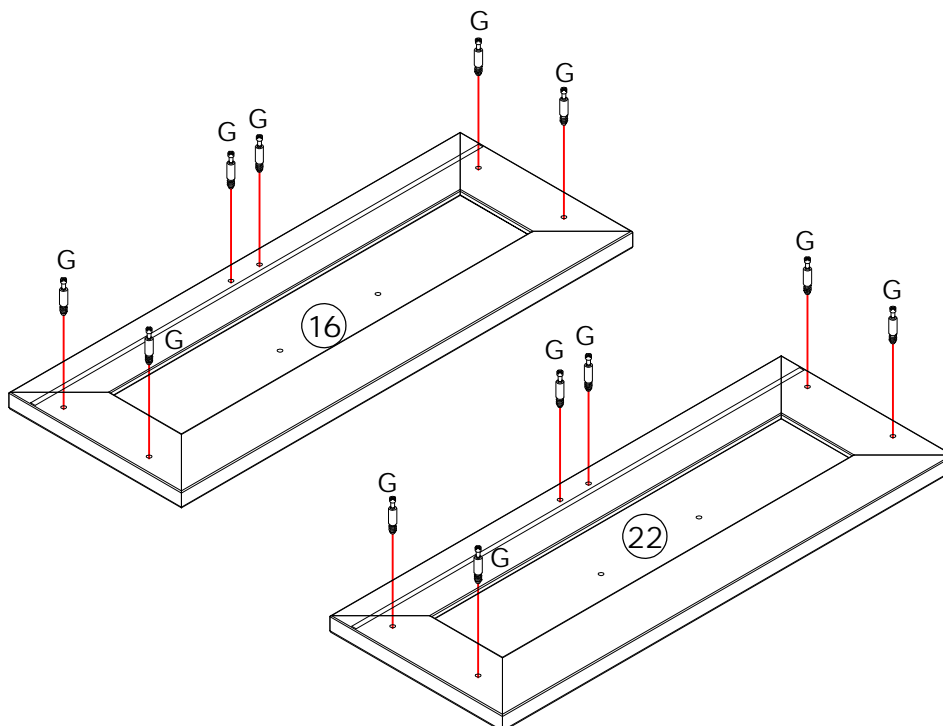
STEP 26




Vicissitudes

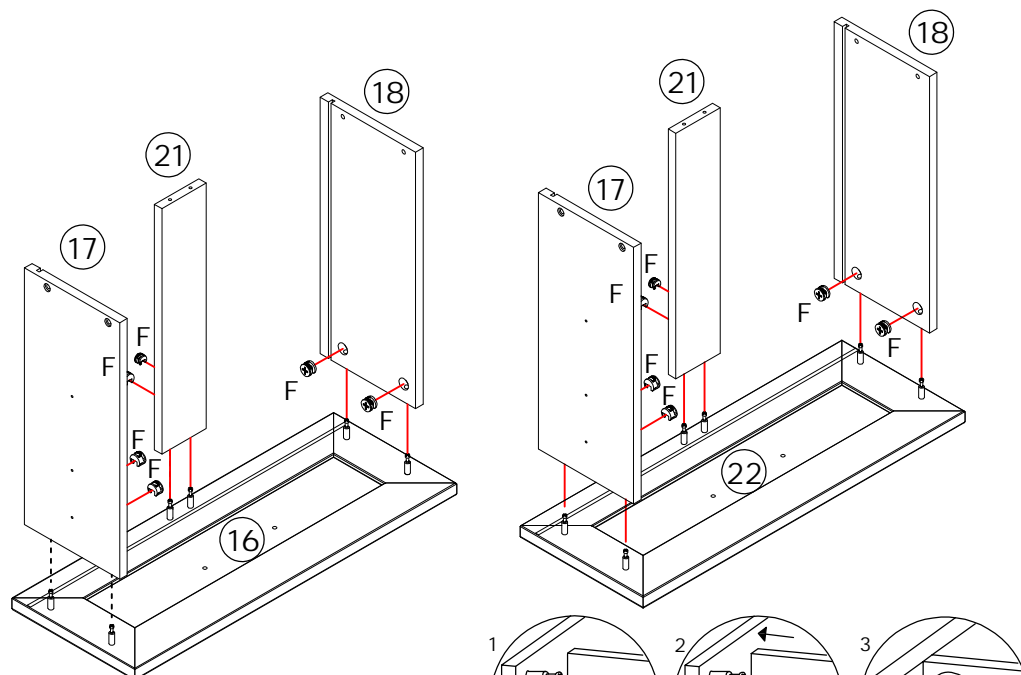
STEP 27

 G x 12



STEP 28

 F x 12

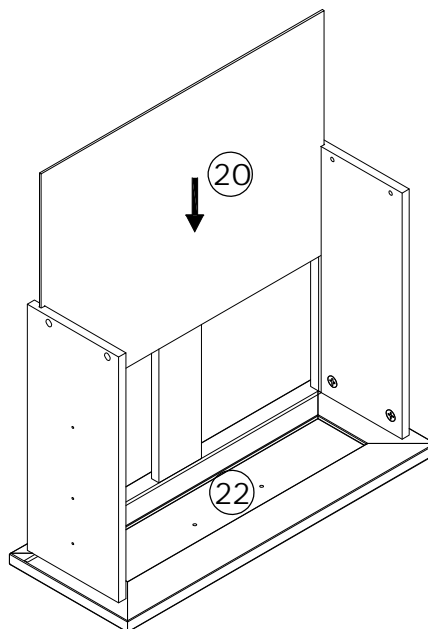
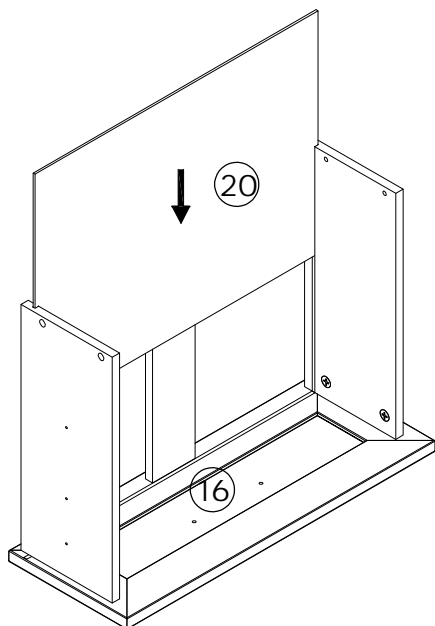


The arrow must point toward the edge of the board.

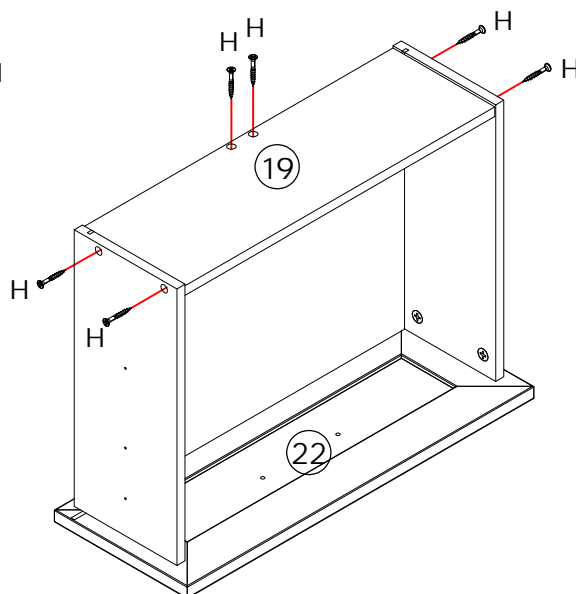
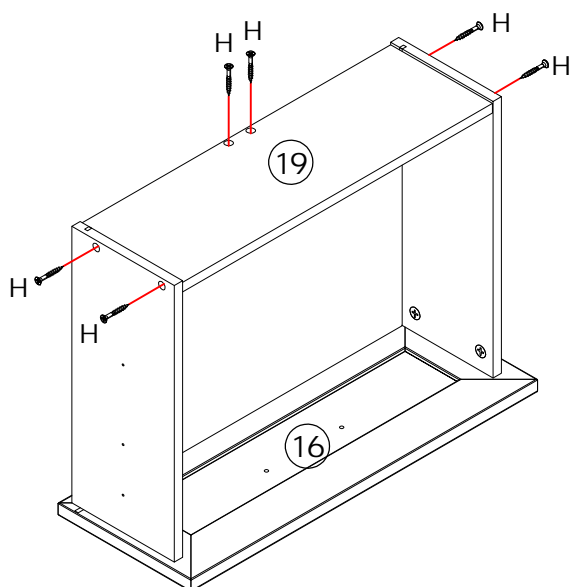
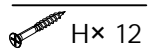
Flat head screwdriver

Vicissitudes

STEP 29

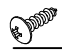


STEP 30

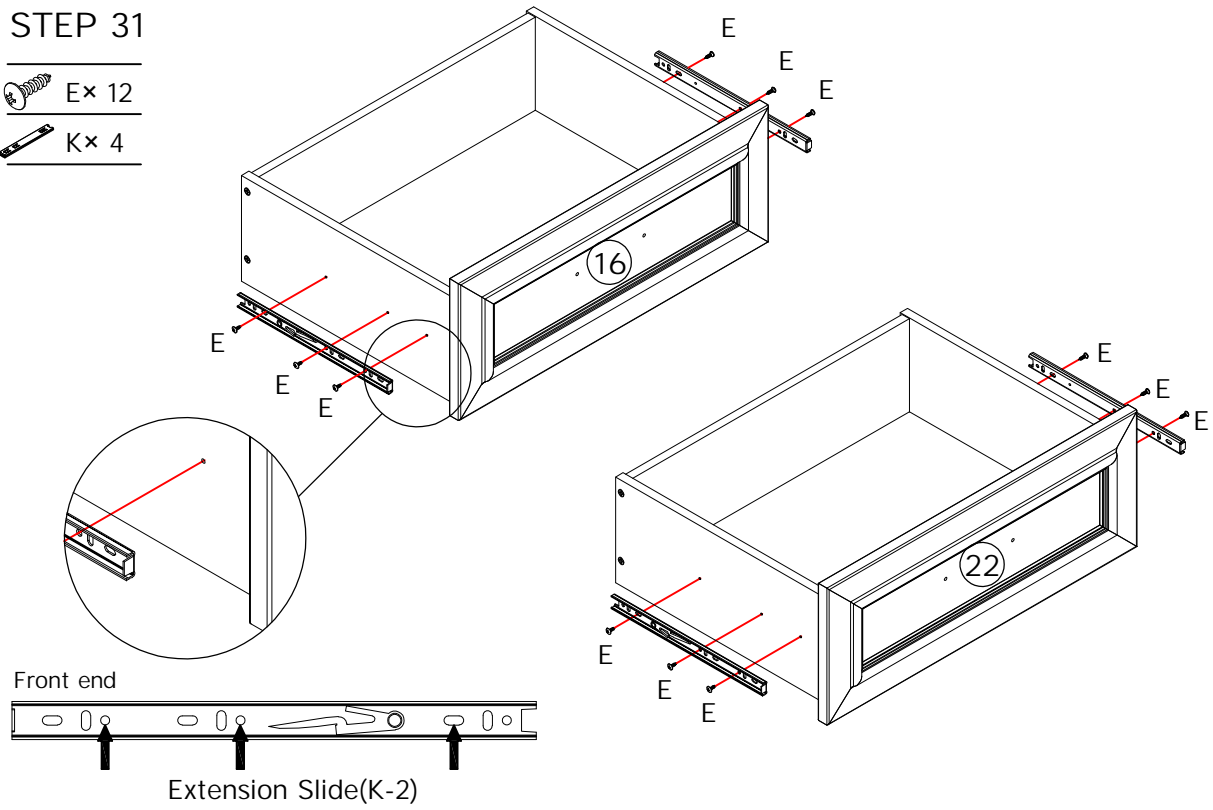


Vicissitudes

STEP 31

 E × 12

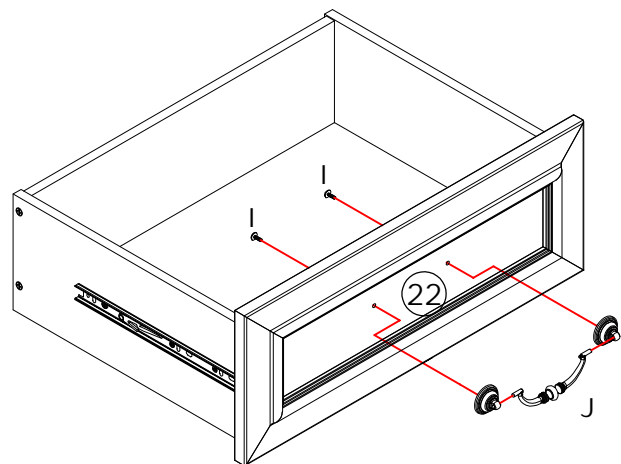
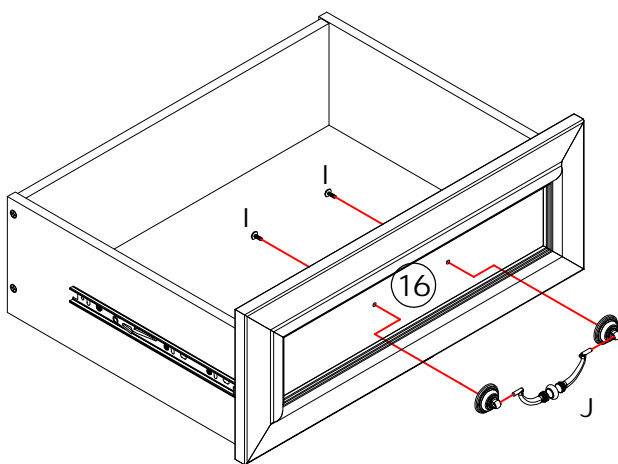
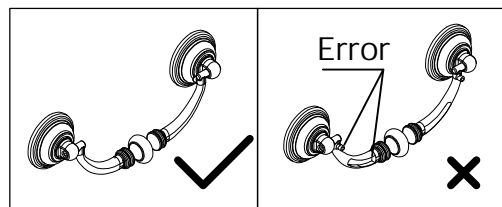
 K × 4



STEP 32

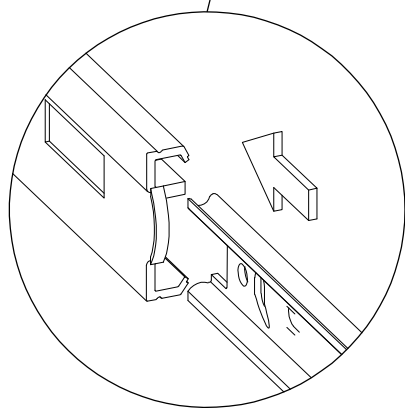
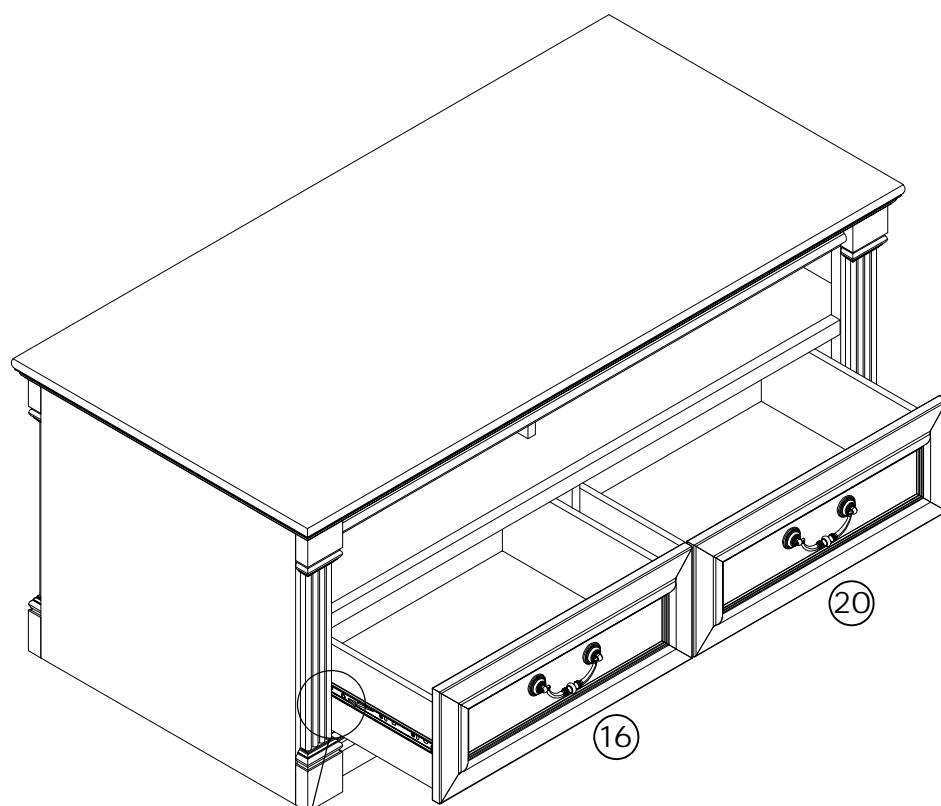
 I × 4

 J × 2



Vicissitudes

STEP 33



Vicissitudes

STEP 34

