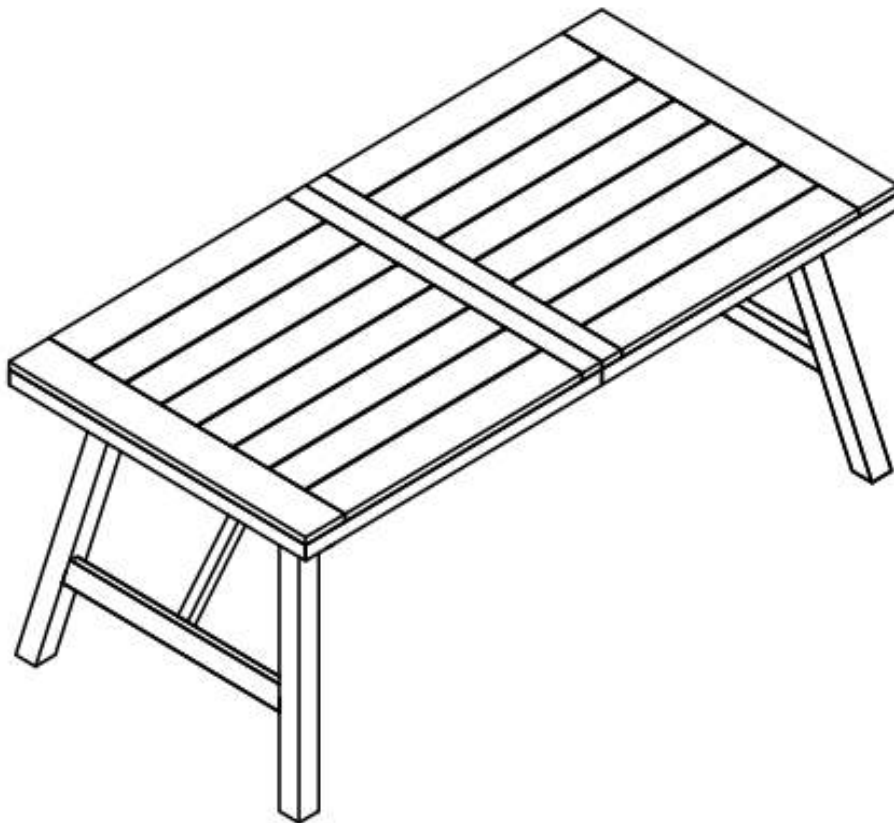


Assembly Instructions

Caution : You must read this before you proceed

Please look beside the table leg for hardware packs and legs

TABLE

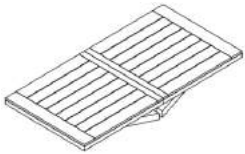

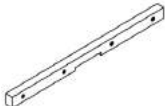



CAUTION : This Table is NOT a TOY.







Keep your child / children at bay during the assembly process.

For moving the Table and to prevent damage to the Table, two adults are needed to execute this action.

Parts List

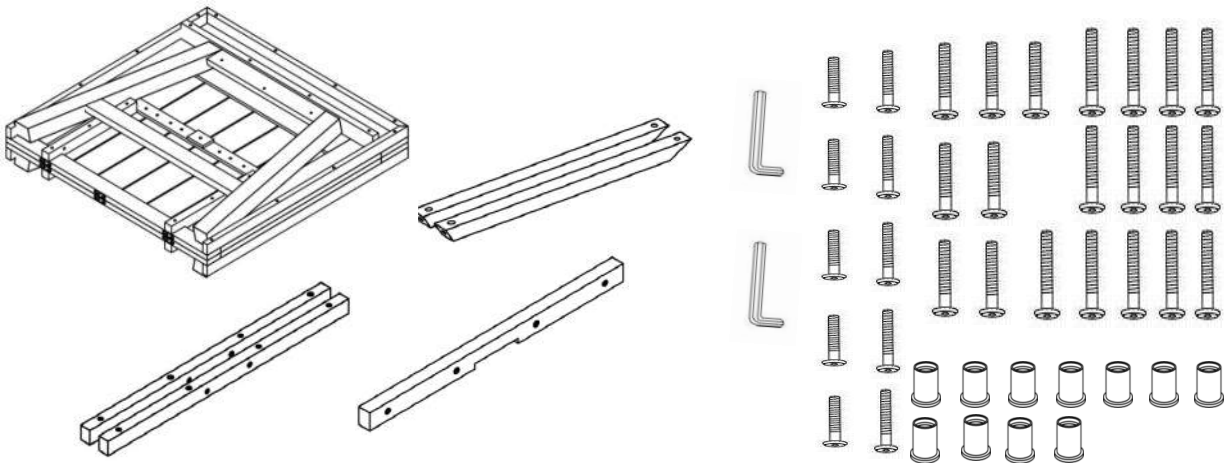
| Label | Picture | Description | QTY |
|-------|---|--------------------|-----|
| A |  | Table | 1 |
| B |  | Leg Support Bar | 2 |
| C |  | Middle Support Bar | 1 |
| D |  | Side Support Bar | 2 |






Hardware

| Label | Picture | Description | QTY |
|-------|---|----------------------------|-----|
| ① |  | Long Bolt (M6x50mm) | 13 |
| ② |  | Medium Bolt 1 (M6x45mm) | 7 |
| ③ |  | Medium Bolt 2 (M6x40mm) | 5 |
| ④ |  | Short Bolt (M6x30mm) | 5 |
| ⑤ |  | Sleeve Nut (6x13mm) | 11 |
| ⑥ |  | Allen Wrench | 2 |

Assembly Preparation

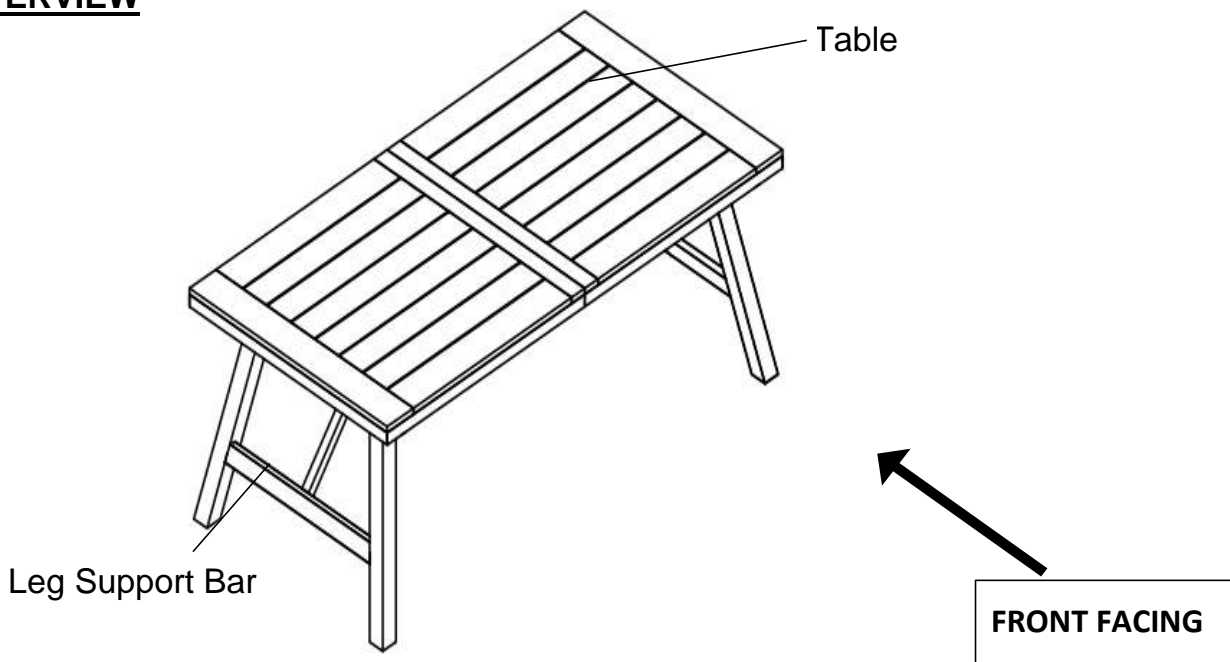
Before Beginning Assembly:



-  • Read instructions, cover to cover-
-  • Have 2 adults on hand for assembly-
-  • Do not assemble on flooring or carpet-
-  • Assemble on a clean non-marring surface (packing foam)-
-  • Save all packaging until finished-

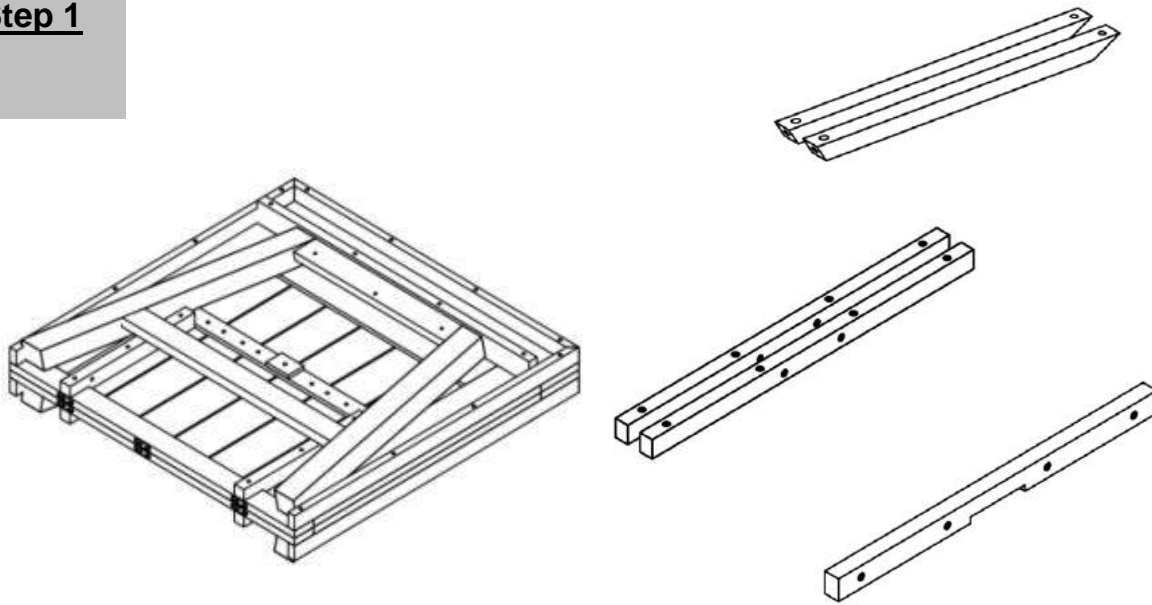
Assembly Steps

OVERVIEW



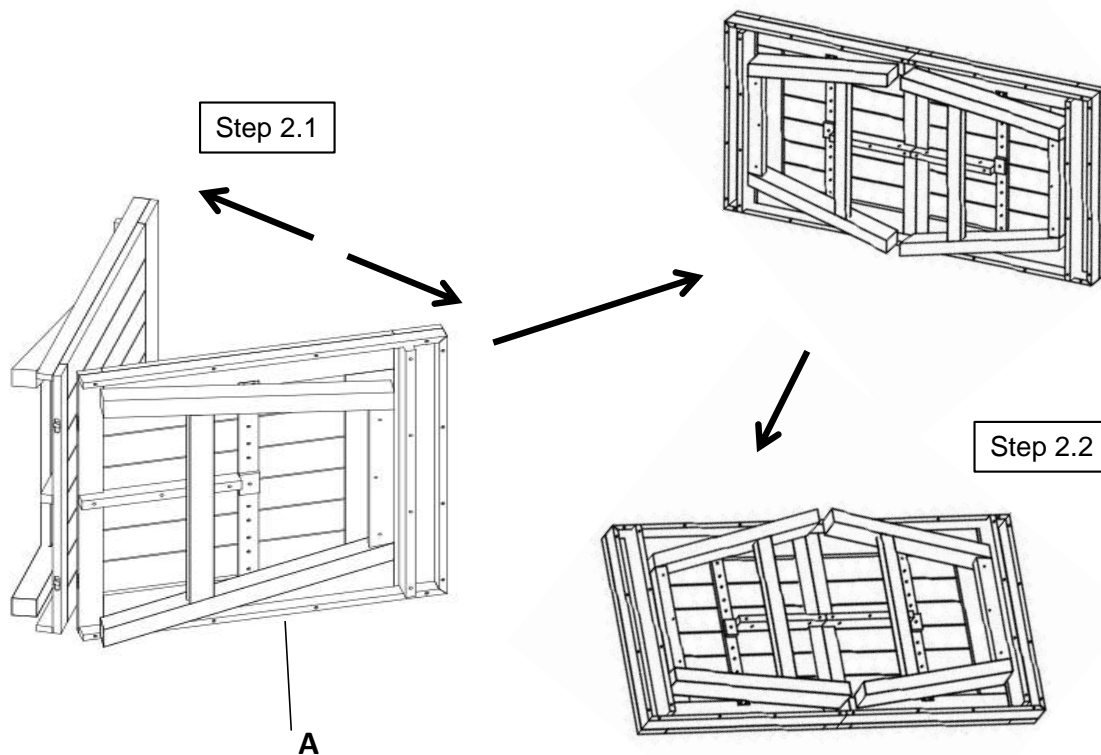
This Table has multiple parts and may require up to some 30 minutes to assemble. To give you an overview of the Table parts, the above picture is to help you put the various parts into perspective. Please read through the instructions below to familiarise yourself with the parts and steps before assembly.

Step 1



Unpack and place all parts on a clean, non-marring surface.

Step 2

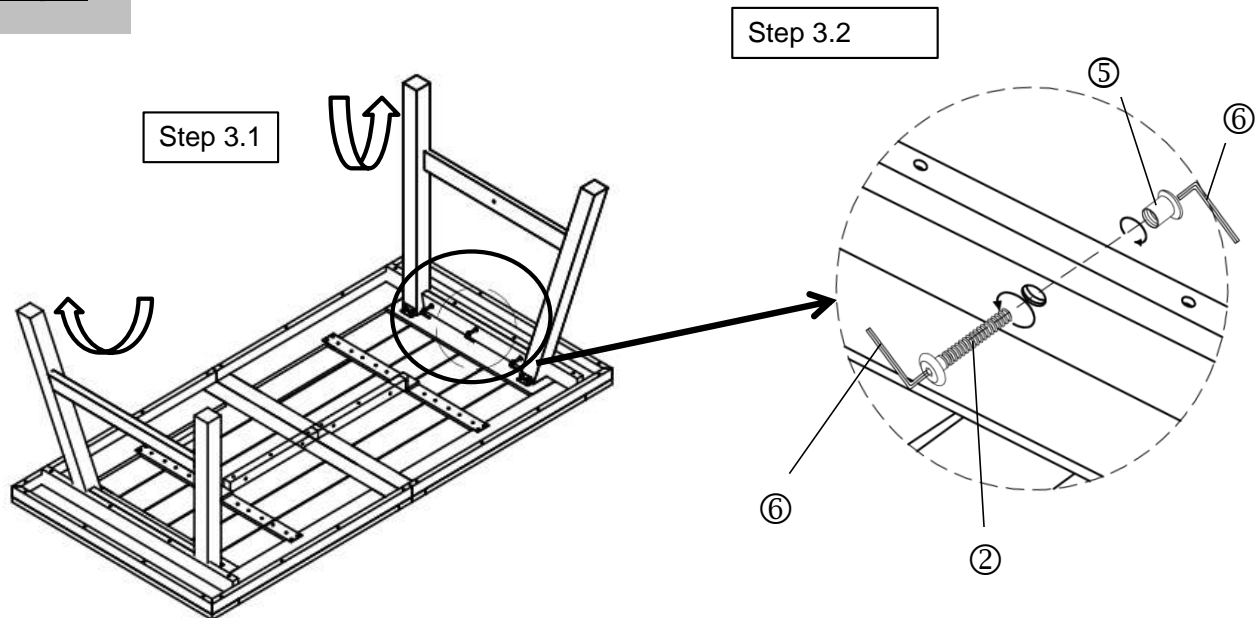


2.1) With the assistance of an adult helper, unfold the Table(A) as shown.

Note: When unfolding the Table(A), you must hold the Legs against the Table(A)

2.2) Then lay the Table(A) facedown onto a clean, flat surface to avoid any scratches or damage to the product.

Step 3



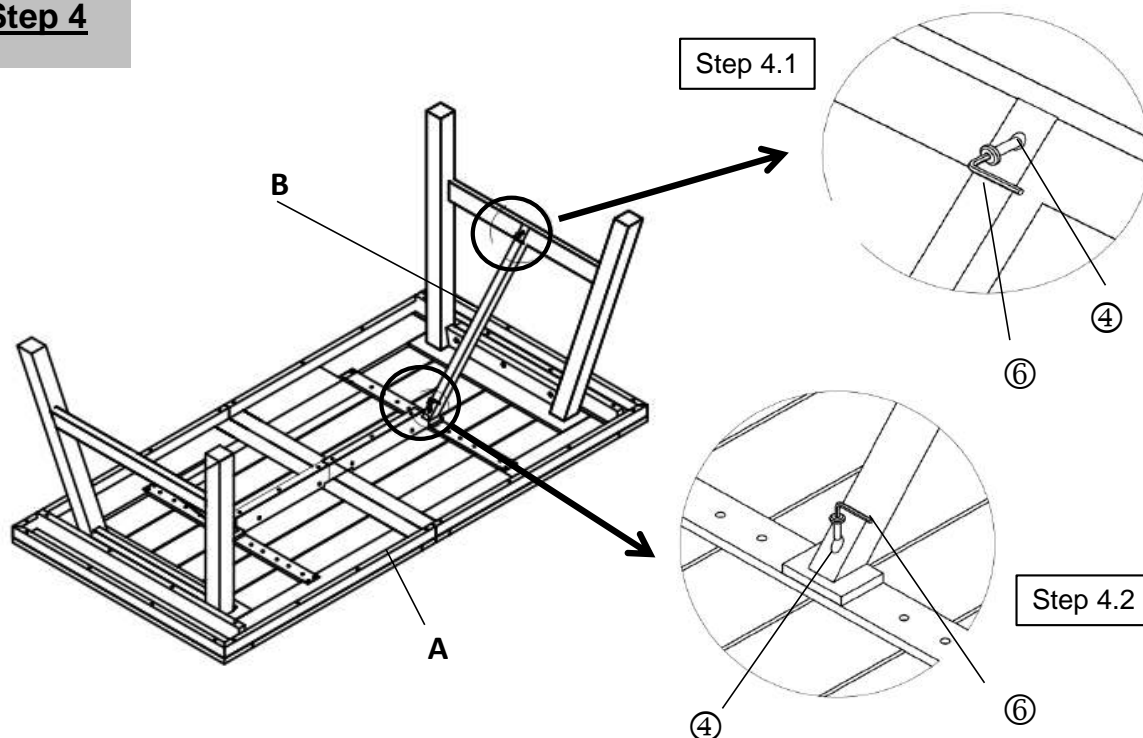
3.1) Lift legs upwards and outwards until they are flush with the base of the Table, as shown in the above picture.

3.2) Insert 3 Medium Bolts 1 (②) and Sleeve nut (⑤) through the mounting position of the Legs and affix the Legs using Allen Wrench(⑥)

Only loosely tighten the Bolts.

Repeat the same process with the other Legs.

Step 4



Position Leg Support Bar(B) as shown in picture above.

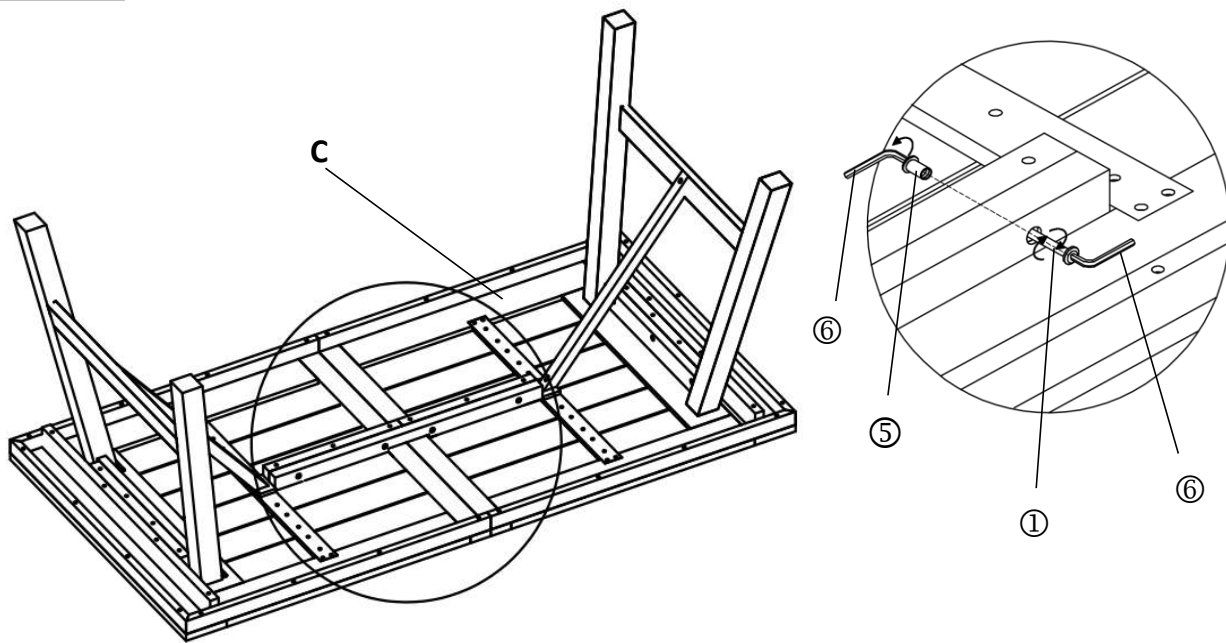
4.1) Secure Leg Support Bar(B) to Legs using Short Bolt(④) with Allen Wrench(⑥).

4.2) Secure Leg Support Bar(B) and Table(A) using Short Bolt(④) with Allen Wrench(⑥).

Only loosely tighten the Bolts.

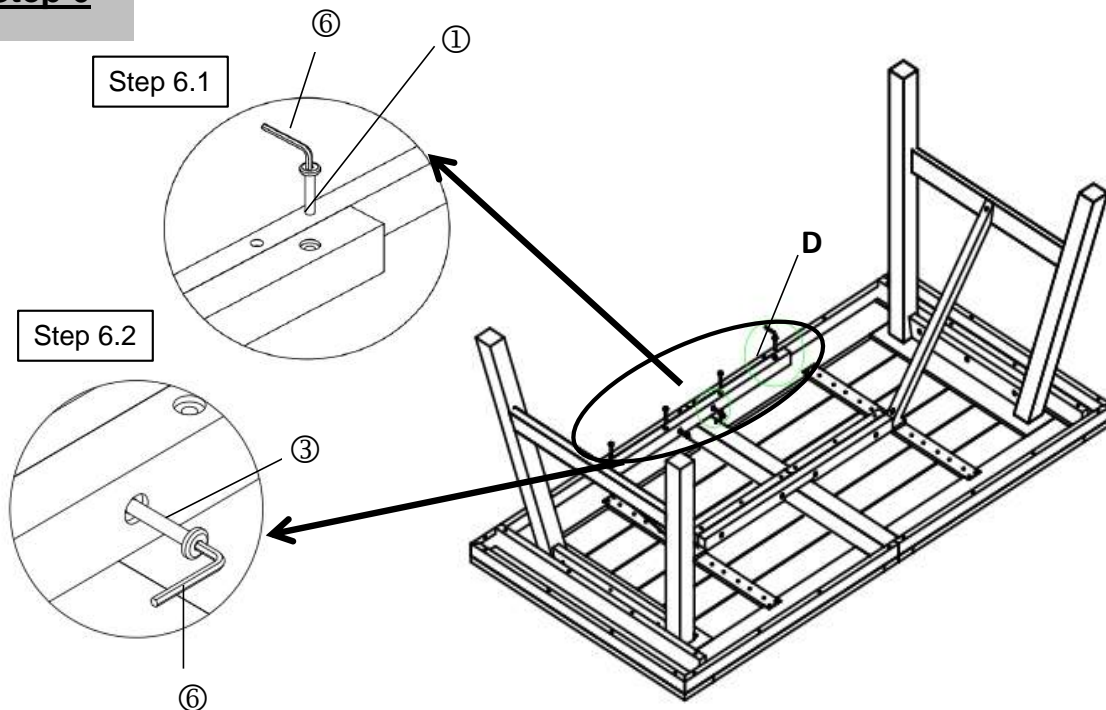
Repeat the same process with the other Leg Support Bar(B).

Step 5



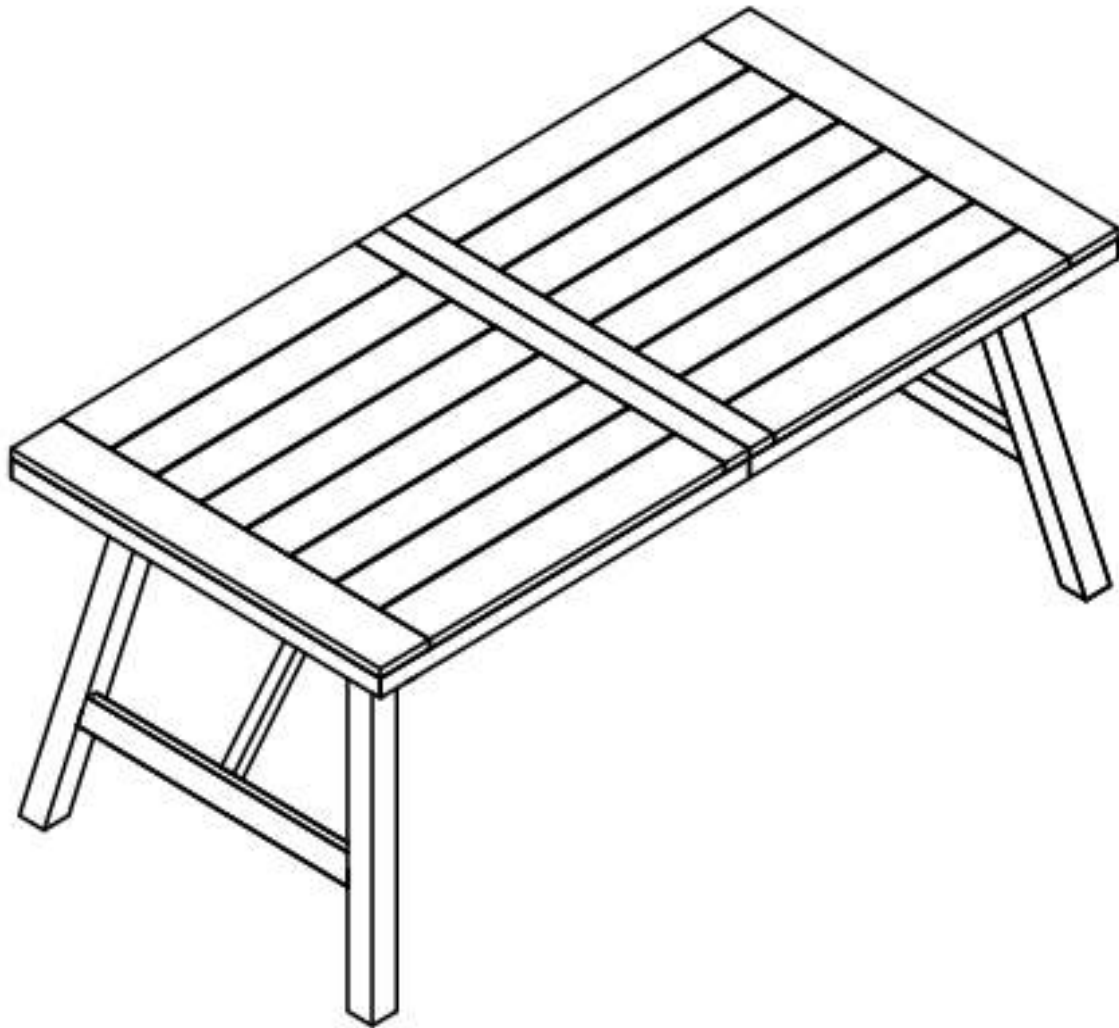
Position Middle Support Bar(C) as shown in picture above.
Insert 4 Long Bolts(①) and Sleeve nut (⑤) through the mounting positions and affix the Middle Support Bar(C) to Table(A) using the Allen Wrench (⑥)
Only loosely tighten the Bolts.

Step 6



Position Side Support Bar(D) as shown in picture above.
6.1) Insert 4 Long Bolts(①) through the vertical mounting positions of the Side Support Bar(D) and affix using Allen Wrench(⑥)
6.2) Insert 2 Medium Bolts 2 (③) through the horizontal mounting positions of the Support Bar(D) and affix using Allen Wrench(⑥)
Only loosely tighten the Bolts.
Repeat the same process with the other Side Support Bar(D).
Now, in a sequential manner, tighten all Bolts at all joints.


















Step 7



Stand the Table right side up.
Your Table is ready for use.

This Table can only be used on a flat, level surface.

Care & Maintenance

-   ● Do not put hot items directly on furniture surface
 -   ● Do not clean furniture with harsh cleansers or polish.
 -   ● To obtain the longest lifespan of your outdoor products, minimizing exposure to direct sunlight is recommended.
 -   ● Children should not climb or jump on the furniture.
 -   ● Do not write on furniture without a padded barrier to protect the surface.
 -   ● To obtain the longest lifespan of your outdoor products, avoid extended and lengthy exposure to rain, snow, and direct sunshine. Whenever possible cover the product and /or place under patio or awnings.
 -   ● Not for commercial use. For residential use only .
 -   ● Stains may be removed with mild soap solution and damp cloth.
-
-   ● Dust and pick-up spills using a clean, non-colored, lint-free cloth .