

# *ASSEMBLY INSTRUCTIONS*



*Fine Furniture for every stage of life*

# ASSEMBLY INSTRUCTIONS

## ASSEMBLY TIPS:

1. Remove hardware from box and sort by size.
2. Please check to see that all hardware and parts are present prior to start of assembly.
3. Please follow attached instructions in the same sequence as numbered to assure fast & easy assembly.

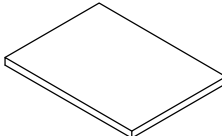
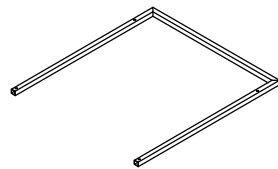

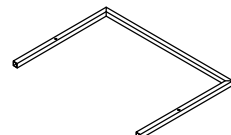


## WARNING!


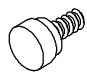
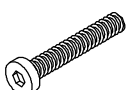


1. Don't attempt to repair or modify parts that are broken or defective. Please contact the store immediately.
2. This product is for home use only and not intended for commercial establishments.

ASSEMBLY TIME 15 MINUTES

## PARTS IDENTIFICATION

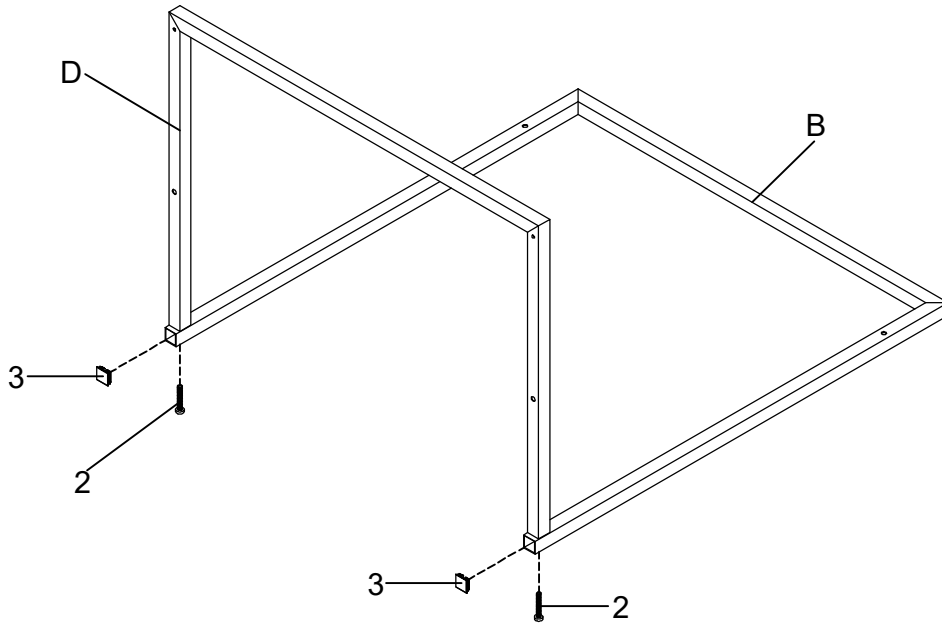
A	TOP PANEL		1PC
B	BACK FRAME		1PC
C	L FRAME		2PCS
D	BOTTOM FRAME		1PC

## HARDWARE IDENTIFICATION

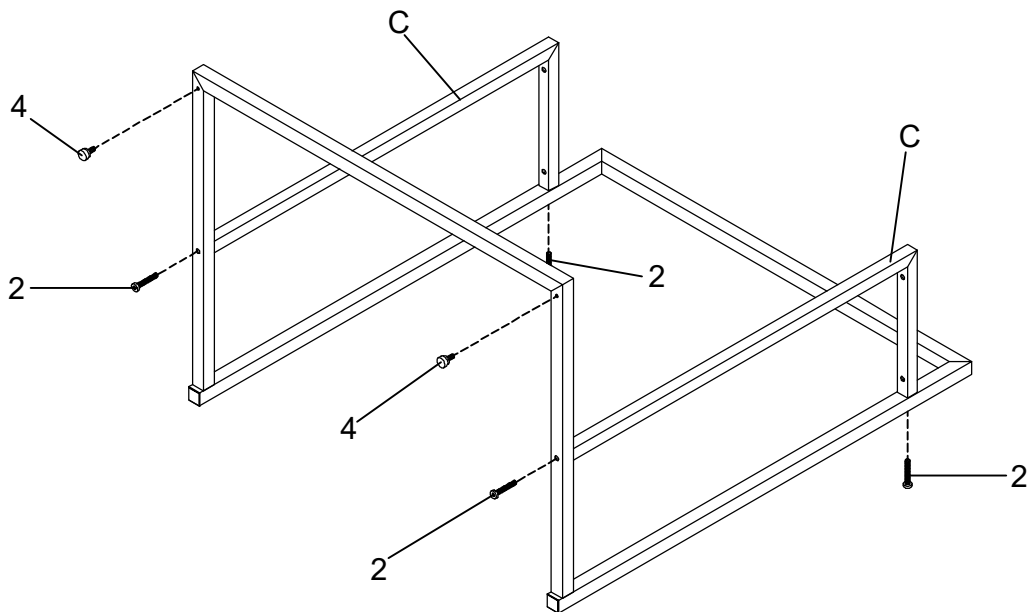
1	BOLT (1/4" x 28mm SR)		4PCS	4	LEVELER (1/4" x 12mm BLK)		2PCS
2	LONG BOLT (1/4" x 38mm SR)		6PCS	5	ALLEN WRENCH (4mm)		1PC
3	CAP (18 x 18mm BLK)		2PCS				

# ASSEMBLY INSTRUCTIONS

**STEP 1** Do not tighten until each step is completed or instructed.

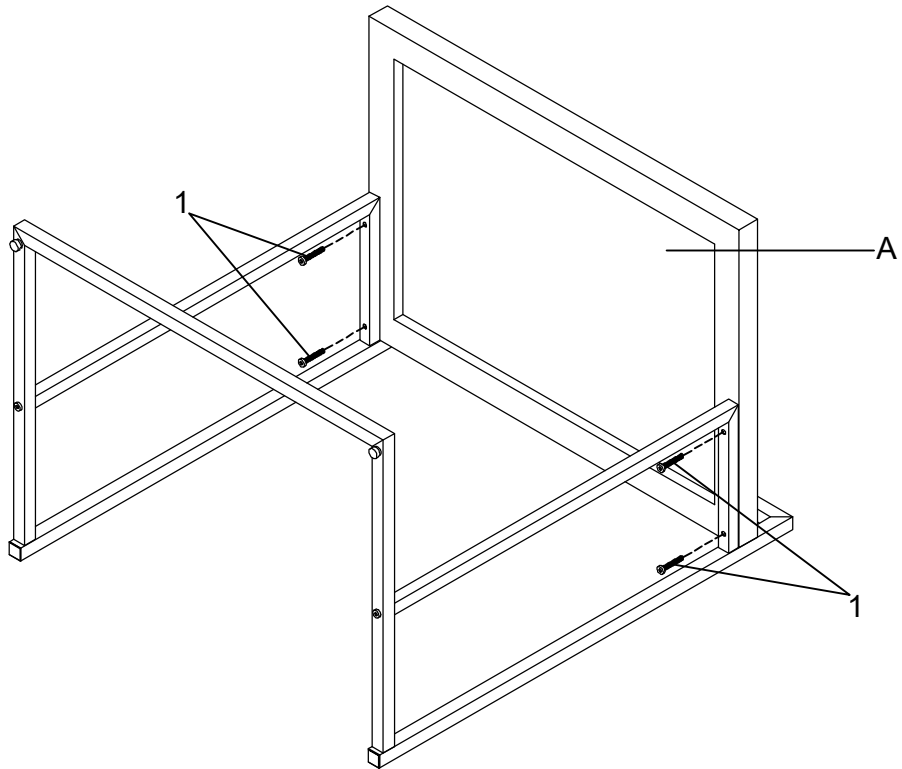


## STEP 2



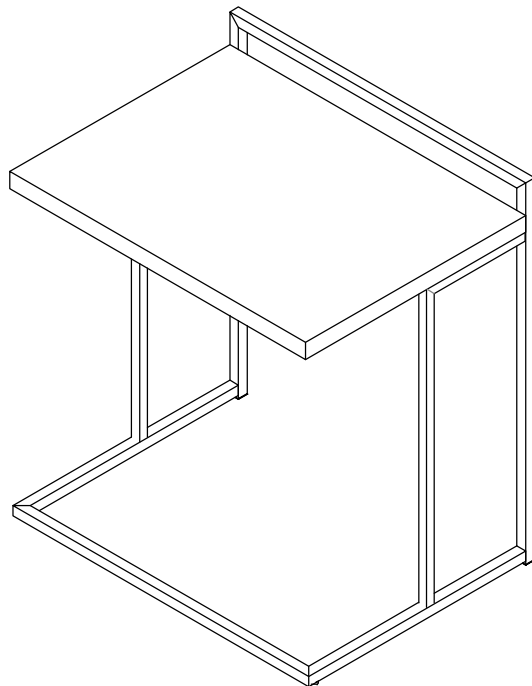
# ASSEMBLY INSTRUCTIONS

## STEP 3



## STEP 4

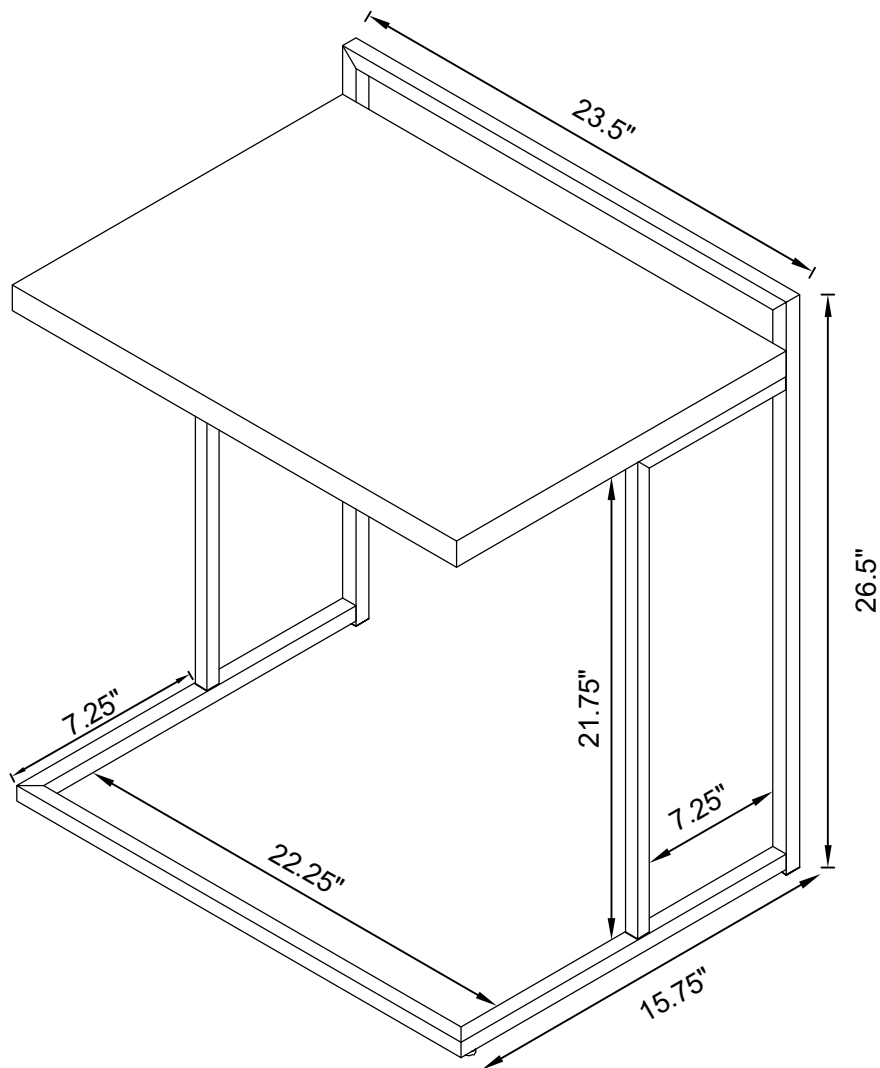
### COMPLETE



# ASSEMBLY INSTRUCTIONS

**Product Size : 597 X 400 X 675 H (MM)**

**Product Size : 23.5" X 15.75" X 26.5"**



Note : Dimension tolerance  $\pm 5\%$