

CARE AND MAINTENANCE

Store outdoor furniture indoors or cover well when not in use.

Remove wooden furniture from standing water. Dust regularly with small brush or vacuum

Spills should be taken care of immediately before they harden or stain with a slightly dampened sponge.

NOTICE

- * Please make sure that you have all parts indicated before you begin assembly of this item
- * This item should be assembled on a soft surface to prevent scratching the finish during assembly
- * This item may require periodic tightening

Owner Manual











Weight Capacity : 600 Ibs

Warning : Do not stand on chair

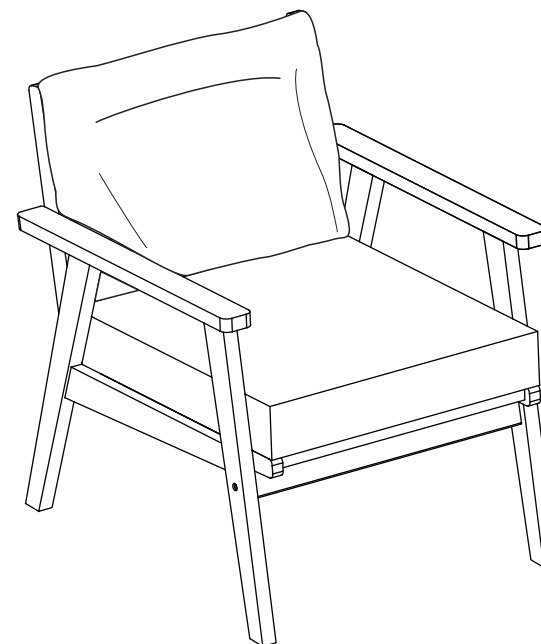
Warning : Do not over torque bolts / screws



Part List and Hardware List

PIECE	DESCRIPTION	PICTURE	QUANTITY
A	Leg Frame		2X
B	Back frame		1X
C	Seat Frame		1X
D	Cross Bar		1X
E	Cushion Seat		1X
F	Cushion Back		1X
G	Screw	 M6x60	2X
H	Screw	 M6x80	2X
I	Bolt	 M6X35	6X
K	Allen key	 LG4	1X

Product Dimensions: 26.27" W x 29.92" D x 30.71" H



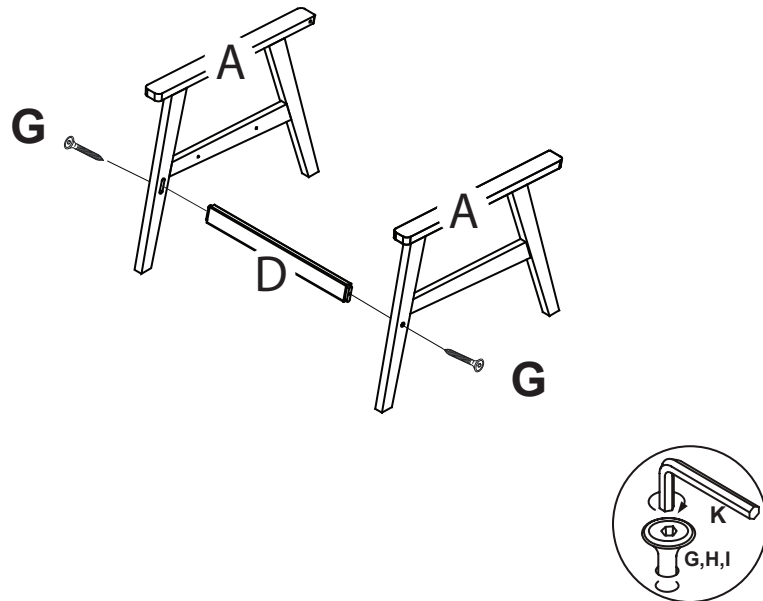
PREPARATION

Before beginning assembly of product, make sure all parts are present. Compare parts with package contents list and hardware contents list. If any part is missing or damaged, do not attempt to assemble the product.

Estimated Assembly Time: 10 minutes.

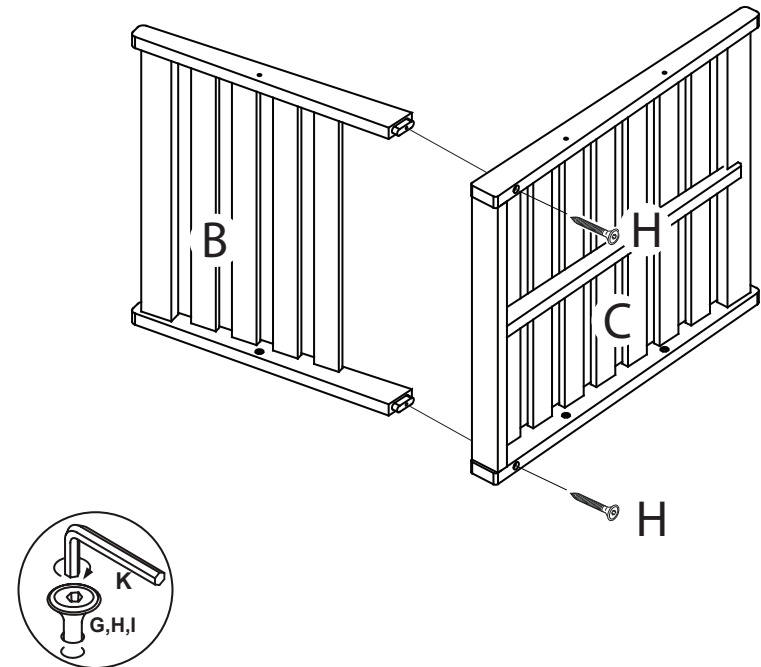
Tools Required for Assembly (included): Allen Key

1



Step 1
Attach leg frame (A) to cross bar (D), use screws (G), tighten with allen key (K).

2



Step 2
Tighten screws (H) with allen key (K) to attach seat frame (C) and back frame (B).

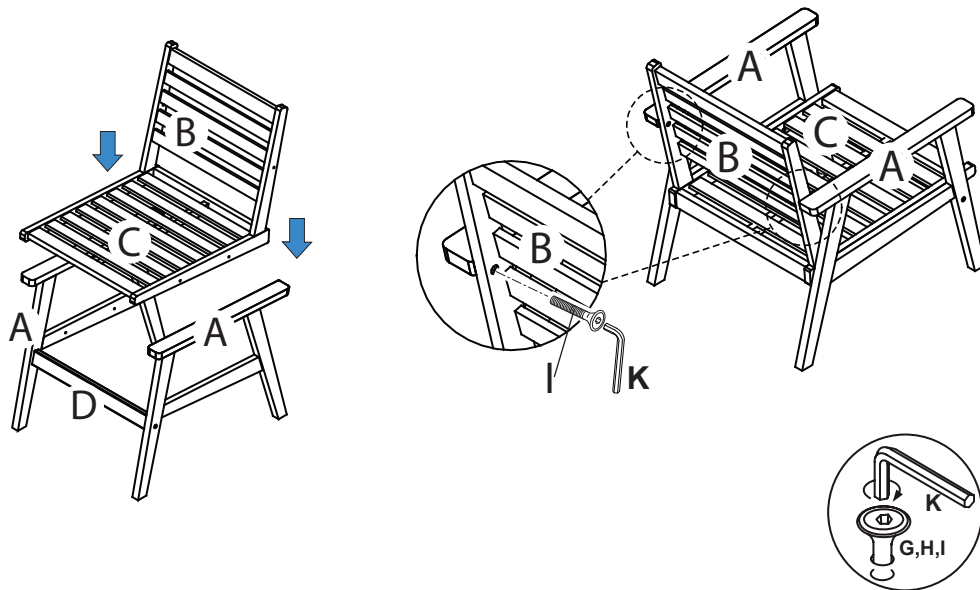
PREPARATION

Before beginning assembly of product, make sure all parts are present. Compare parts with package contents list and hardware contents list. If any part is missing or damaged, do not attempt to assemble the product.

Estimated Assembly Time: 10 minutes.

Tools Required for Assembly (included): Allen Key

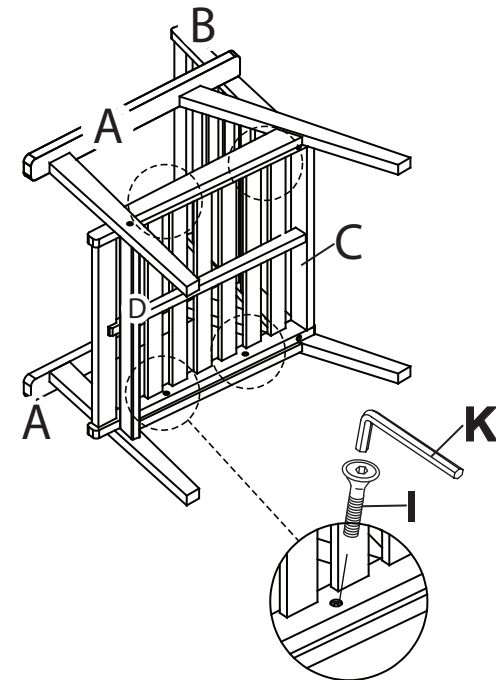
3



Step 3

Attach leg frame (A) to back frame (B) and seat frame, use Bolt (I), tighten with allen key (K).

4



Step 4

Tighten Bolt (I) with allen key (K) to attach seat frame (C) and Leg frame (A).

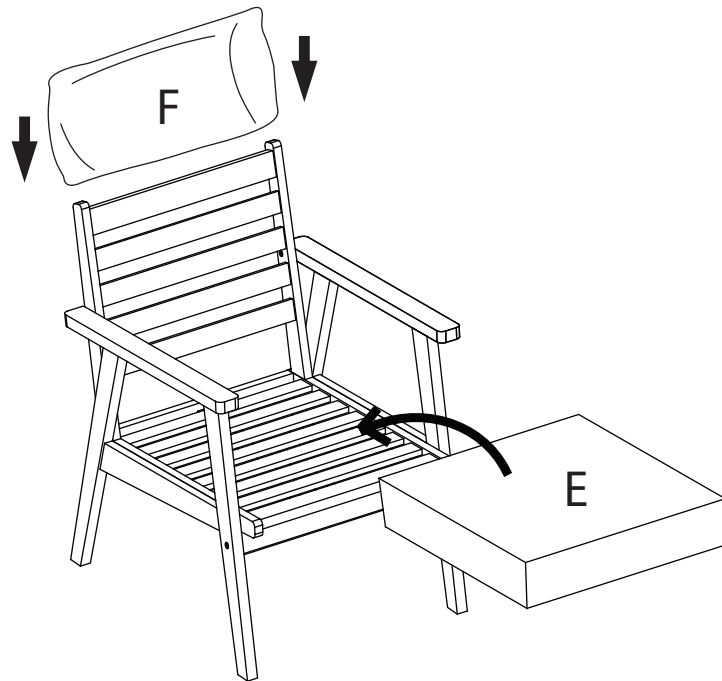
PREPARATION

Before beginning assembly of product, make sure all parts are present. Compare parts with package contents list and hardware contents list. If any part is missing or damaged, do not attempt to assemble the product.

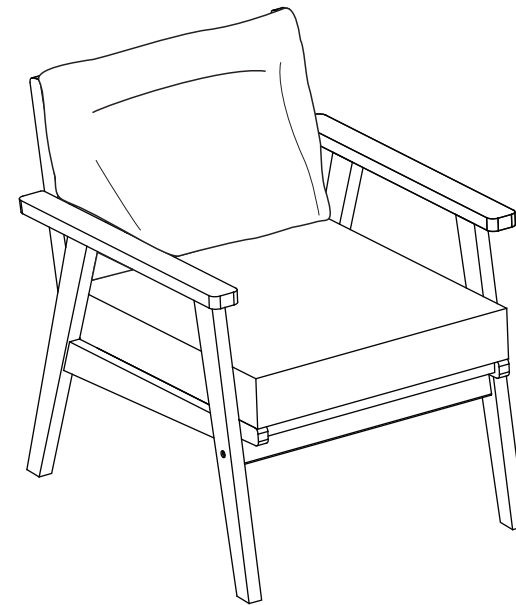
Estimated Assembly Time: 10 minutes.

Tools Required for Assembly (included): Allen Key

5



6



Step 5 Attach Ensure all screws are fully locked into position.
Place Seat Cushion (E), Back Cushion (F) into the Chair.
The Chair is ready to be used.

Step 6 Caution: This Chair can only be used on a flat, level surface