

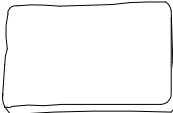
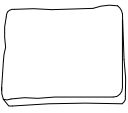

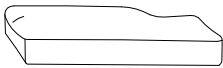
Assembly instructions for the sofa, including warnings, time, and person requirements.

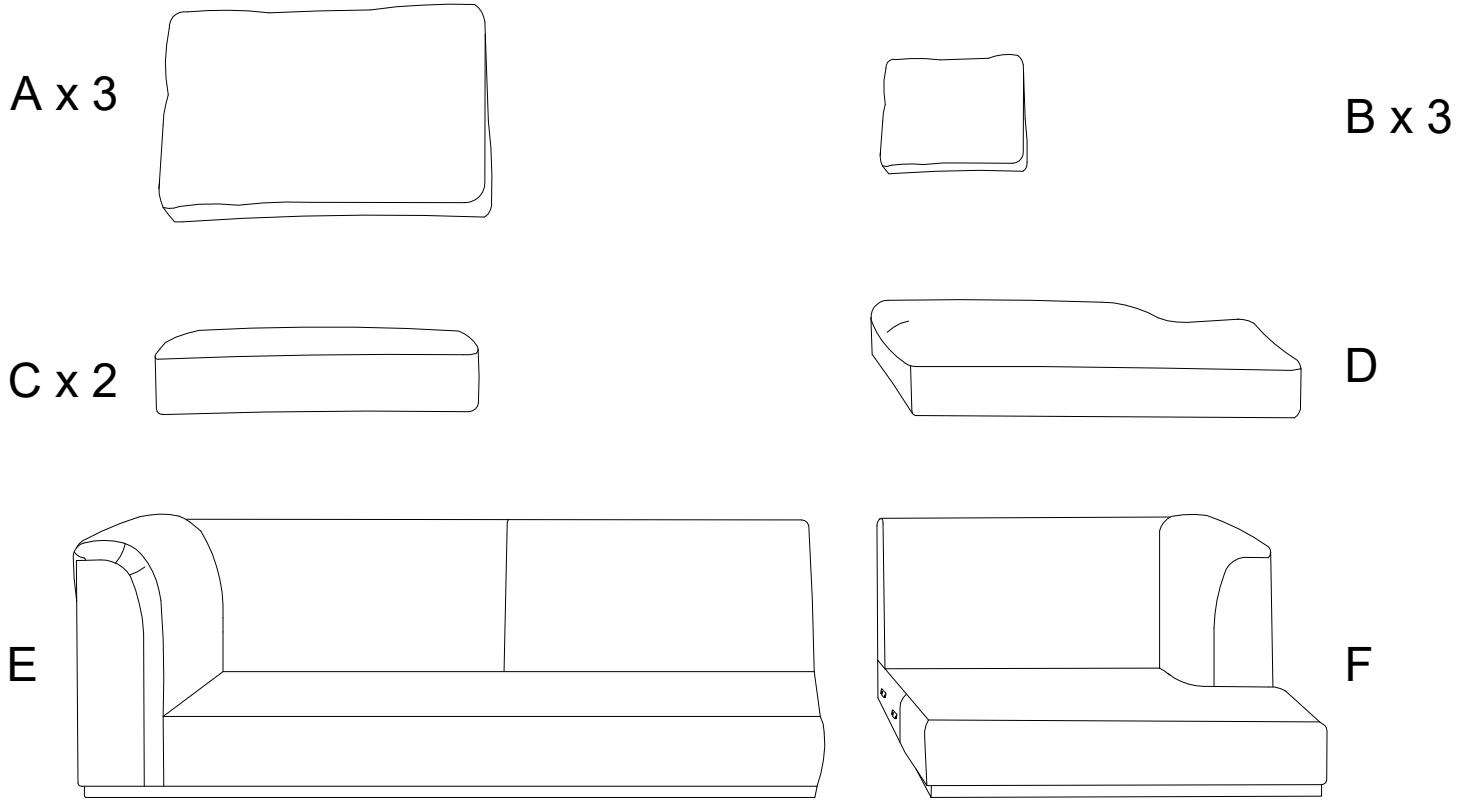
Warning 1: Do not use a power drill. Use an Allen key (shown in a circle) to tighten the screws.

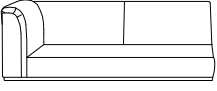
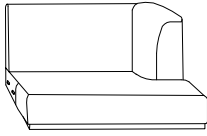
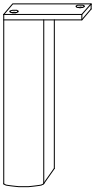
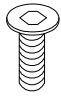

Warning 2: Do not use a power saw. Use a hand saw (shown in a circle) to cut the foam.

Time: 20'

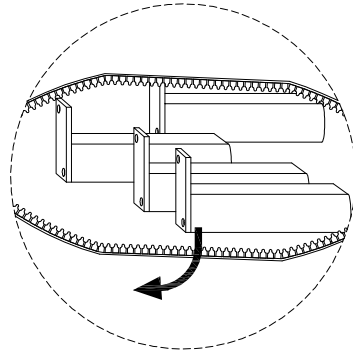
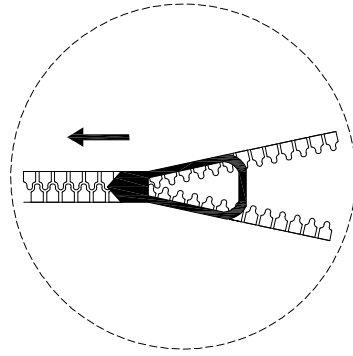
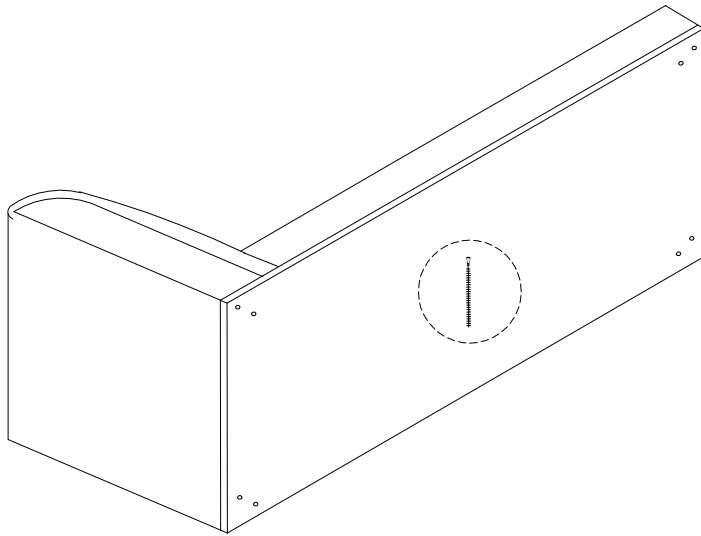
Personnel: 2

A	B	C	D
			
x 3	x 3	x 2	x 1

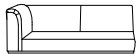
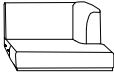


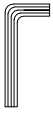


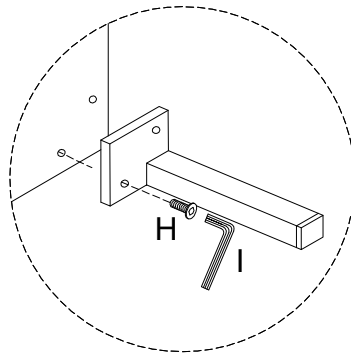
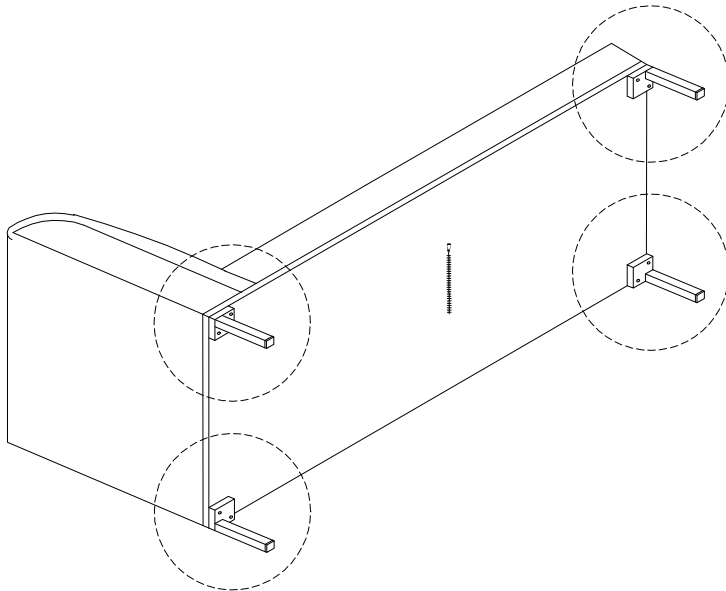
E	F	G	H	I
			 M6 x 16	
x 1	x 1	x 8	x 16	x 1

!

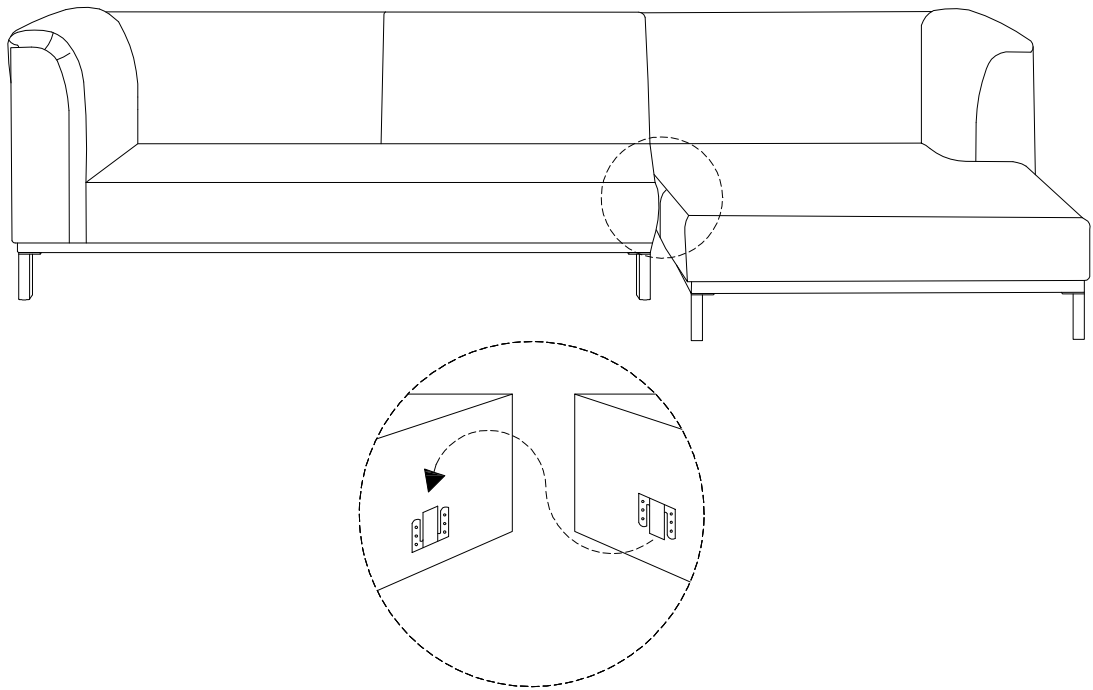


1

E  x 1	F  x 1	G  x 8	H  M6 x 16 x 16	I  x 1
--	--	--	--	--



2



3

