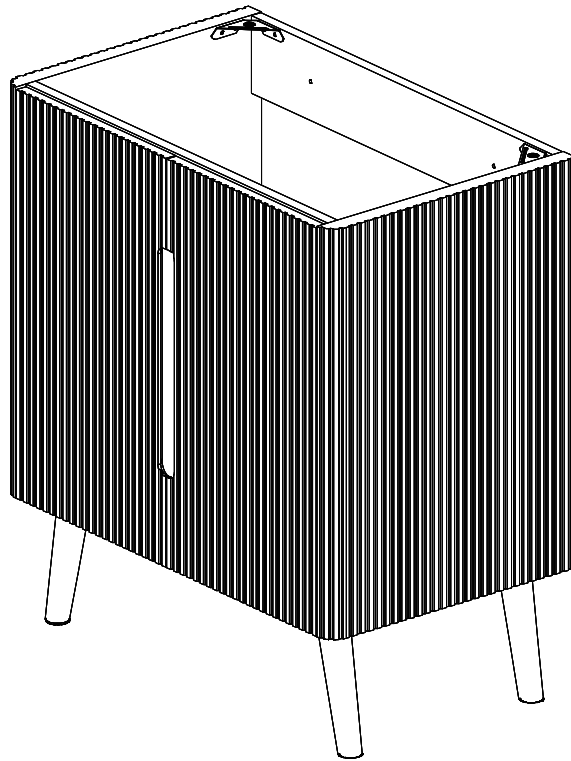


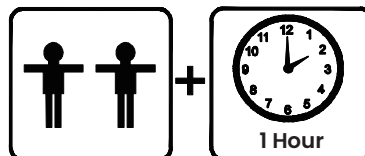
Freestanding Bathroom Vanity Installation Guide



Thank you for selecting our quality product. Prior to assembly, carefully inspect all packing materials for any loose parts. Separate and count all components, comparing them to the parts list provided.

Reminder

Refrain from tightening screws until assembly is complete. This ensures proper alignment and avoids any complications.



Tools Required



(Not included)

(Not included)

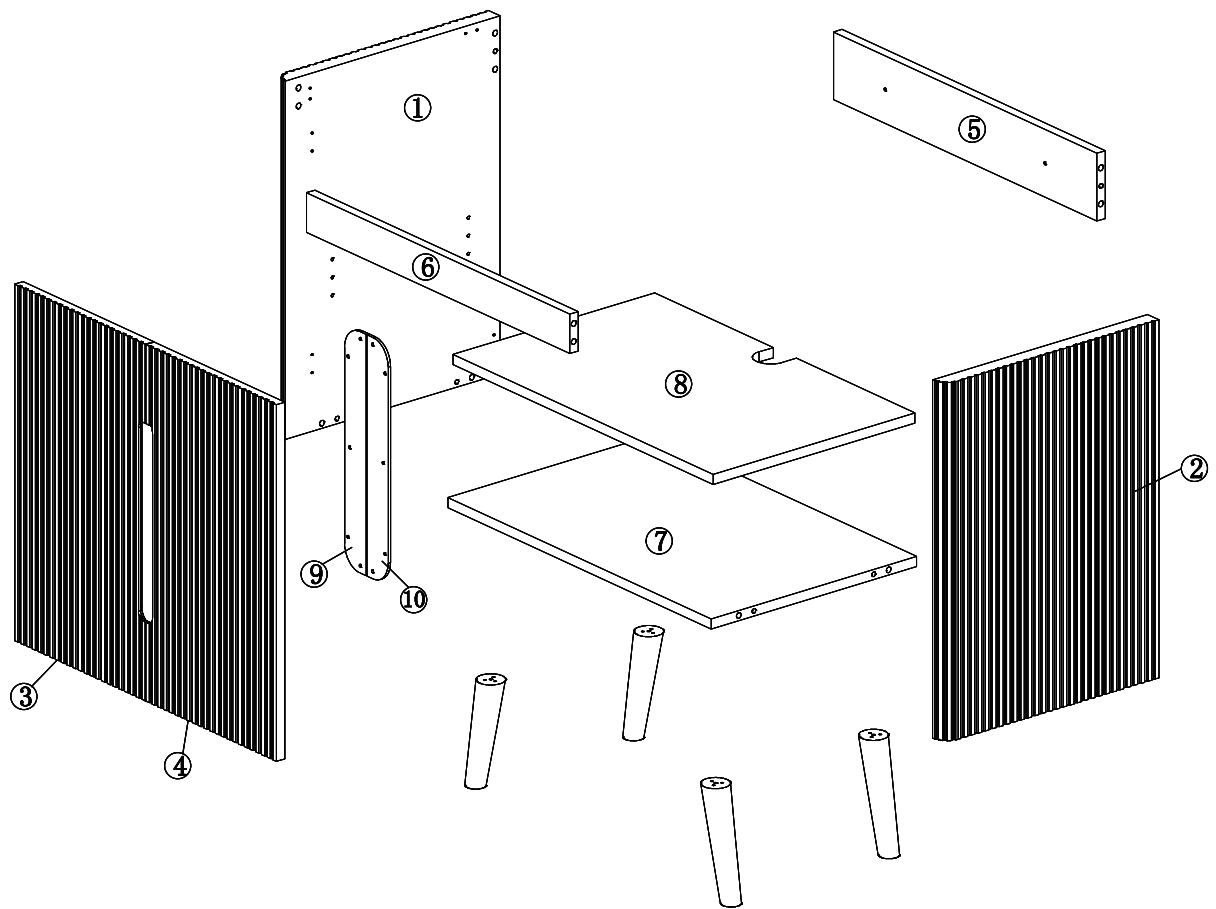
**IMPORTANT:
PLEASE READ INSTRUCTIONS BEFORE STARTING THE ASSEMBLY.**

Thank you for choosing our products. Please review the installation manual carefully before assembly, following the step-by-step instructions for accessories and hardware. Our detailed guidance ensures a smooth assembly process.

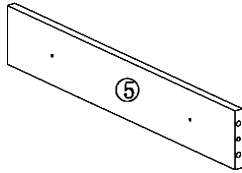
Our products are environmentally friendly. To maintain their quality, avoid submerging them in water, placing heavy items on them, or applying excessive force. If you encounter any issues, please contact us for assistance.

We appreciate your purchase. Thank you.

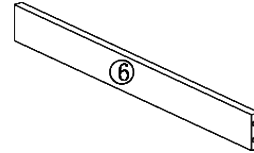
Exploded View



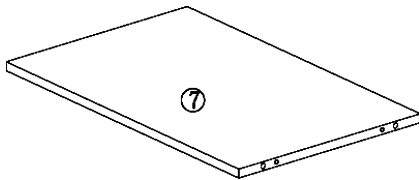
Parts List



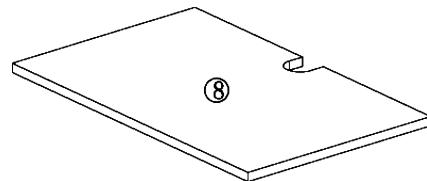
**Front Panel
(1pc)**



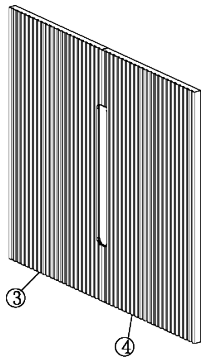
**Back Panel
(1pc)**



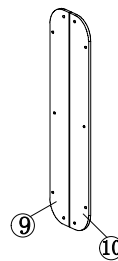
**Bottom Panel
(1pc)**



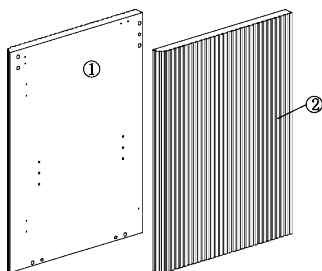
**Shelf Panel
(1pc)**



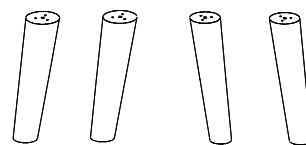
**Door
(2pcs)**



**Door Patch
(2pcs)**

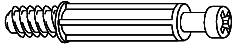


**Side
Panel
(2pcs)**



**Leg
(4pcs)**

Parts List



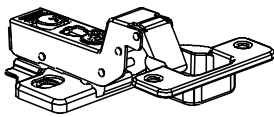
H1 (12pcs)



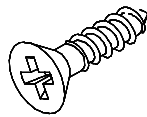
H2 (12pcs)



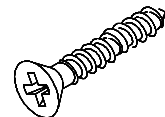
H3 (12pcs)



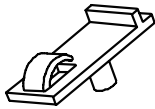
H4 (4pcs)



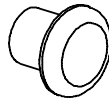
H5 (16pcs)



H6 (25pcs)



H7 (4pcs)



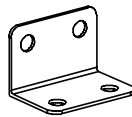
H8 (8pcs)



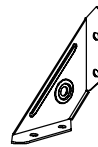
H9 (14pcs)



H10 (6pcs)



H11 (2pcs)



H12 (4pcs)



A
(40pcs)

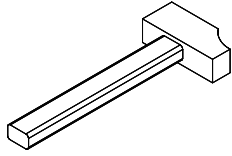


B
(50pcs)



C
(2pcs)

Tools Required



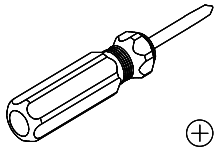
Hammer



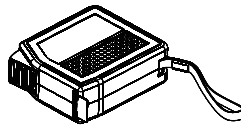
Drill (φ 5/16")



Pencil

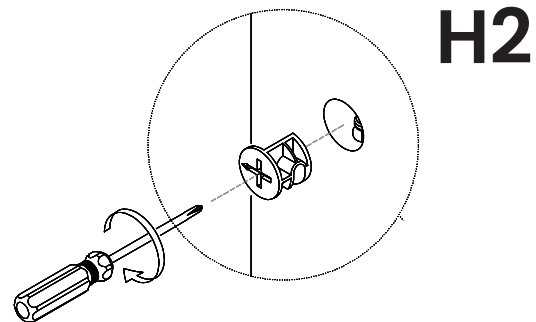
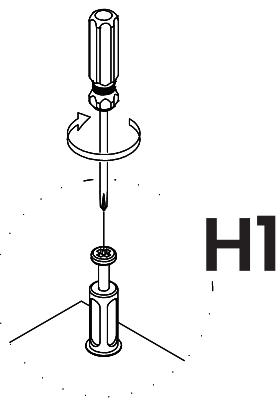


Screwdriver



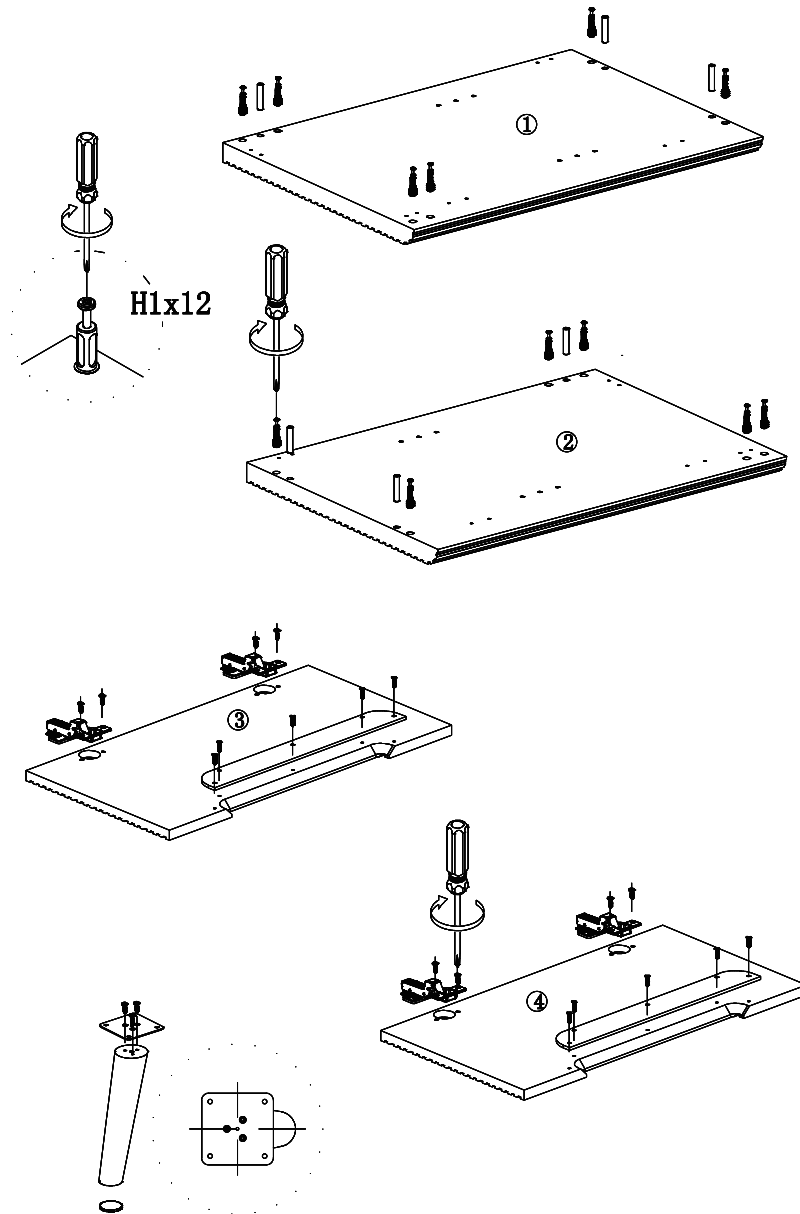
Tape

How to use the tools:



Installation

Pre-assembly



Parts & Tools Required:



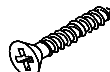
H1 (12pcs)



H4 (4pcs)



H5 (8pcs)



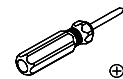
H6 (12pcs)



H9 (10pcs)



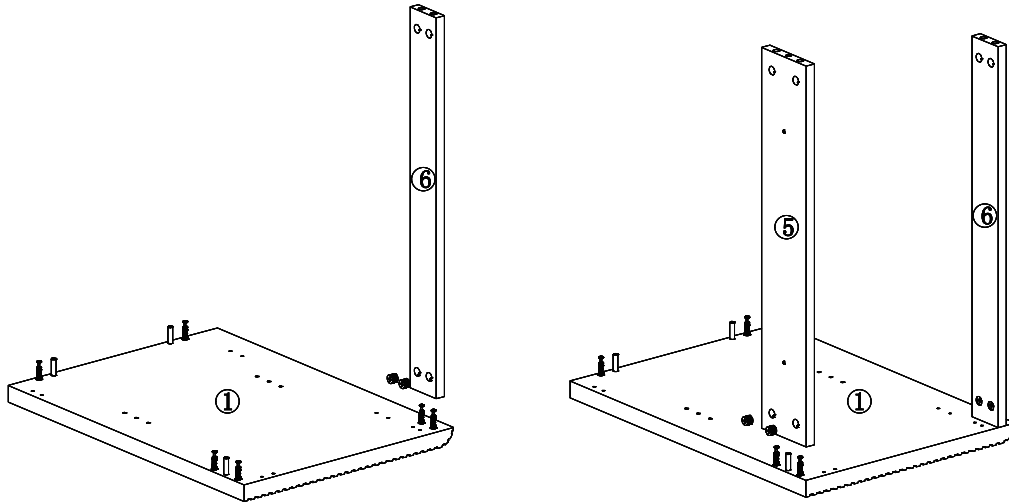
H10 (6pcs)



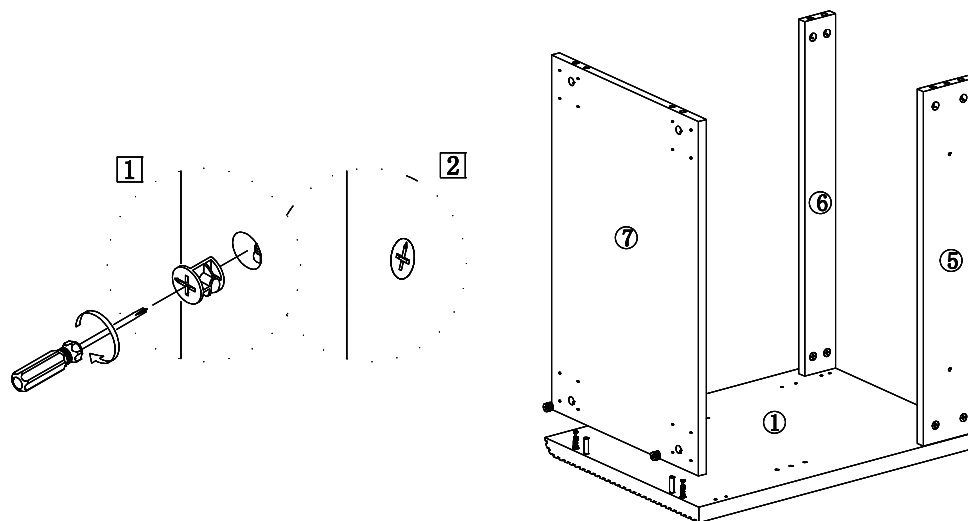
Screwdriver

Installation

Step 1.



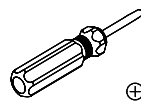
Step 2.



Parts & Tools Required:



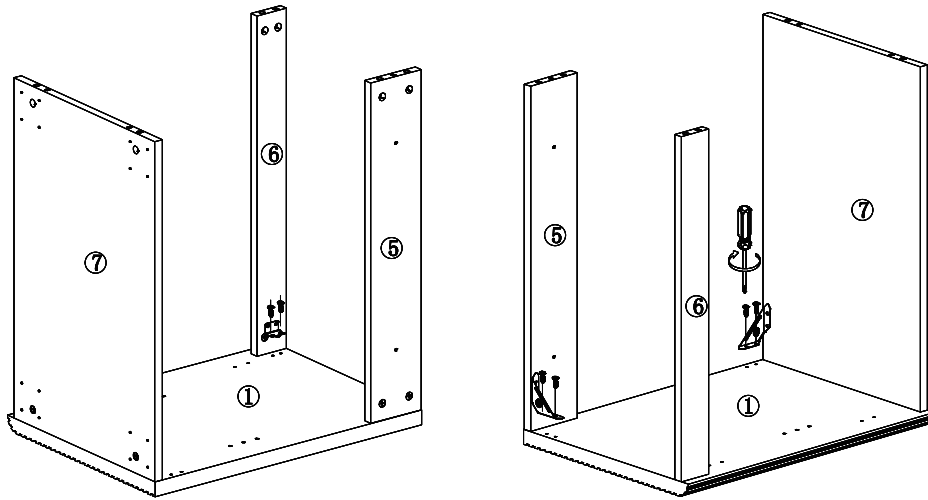
H2 (6pcs)



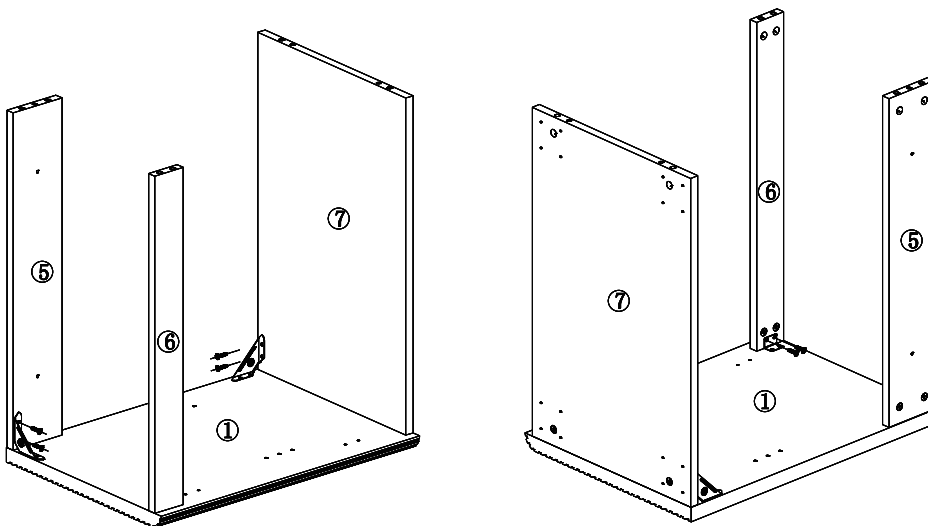
Screwdriver

Installation

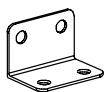
Step 3.



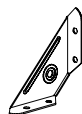
Step 4.



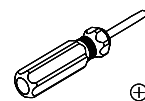
Parts & Tools Required:



H11 (1pc)



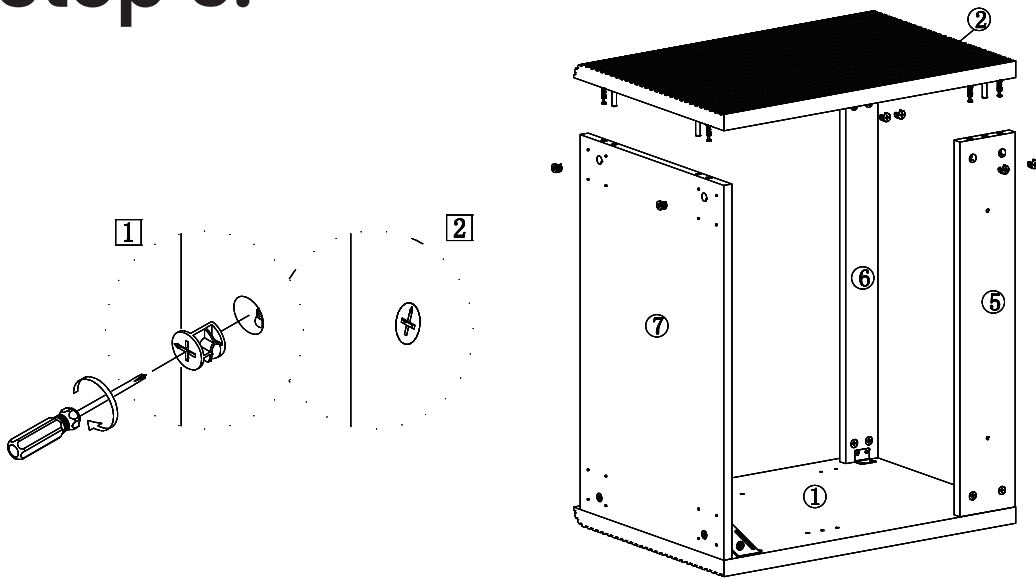
H12 (2pcs)



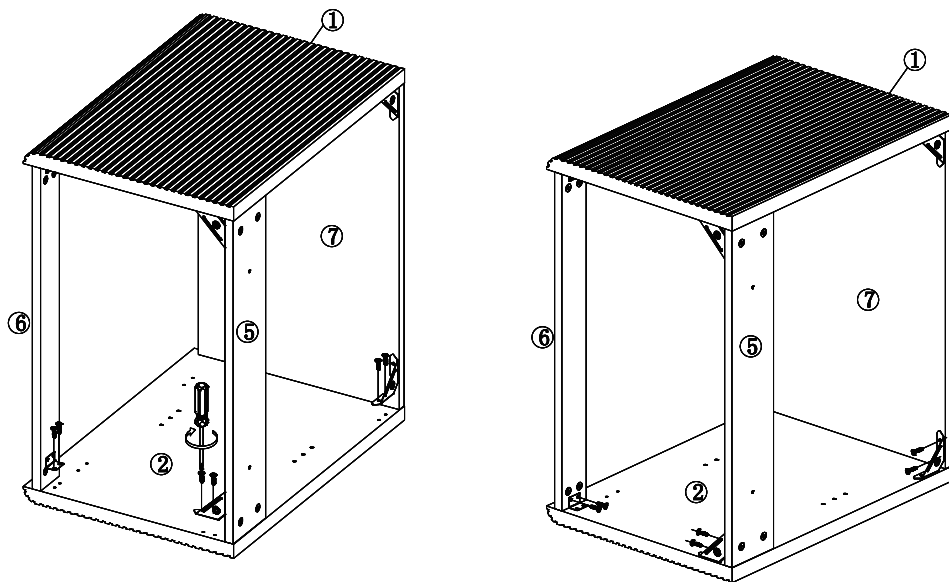
Screwdriver

Installation

Step 5.



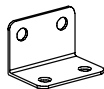
Step 6.



Parts & Tools Required:



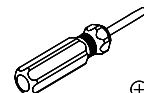
H2 (6pcs)



H11 (1pc)



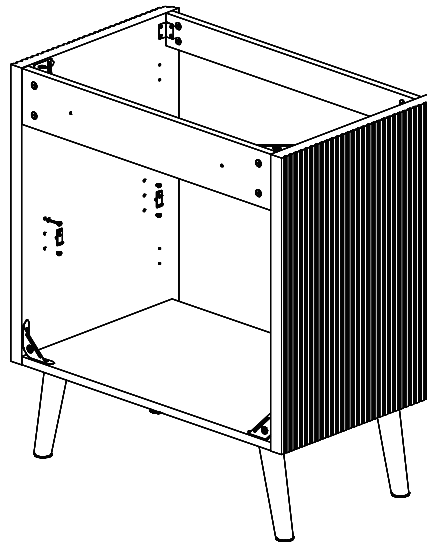
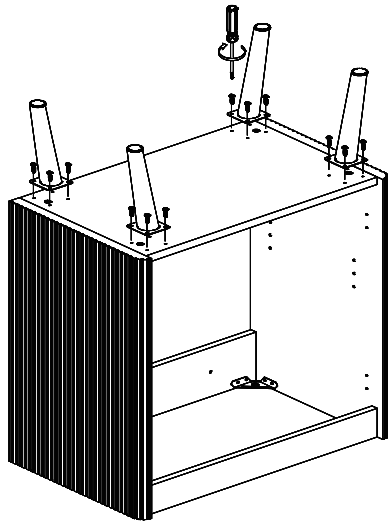
H12 (2pcs)



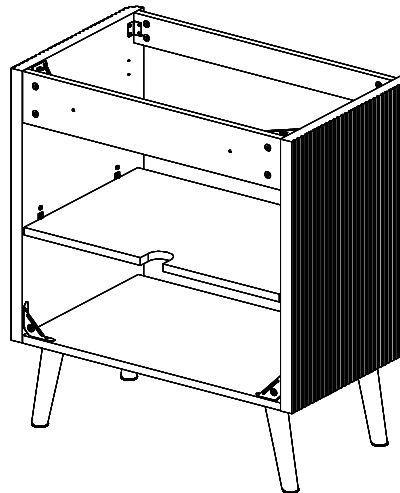
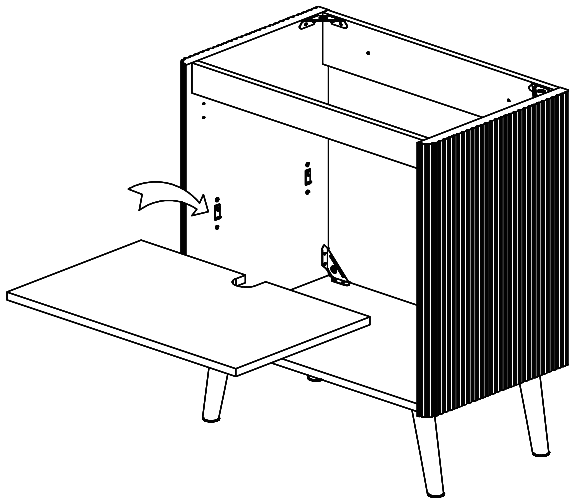
Screwdriver

Installation

Step 7.



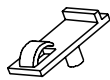
Step 8.



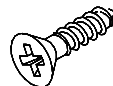
Parts & Tools Required:



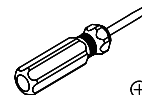
H8 (8pcs)



H7 (4pcs)



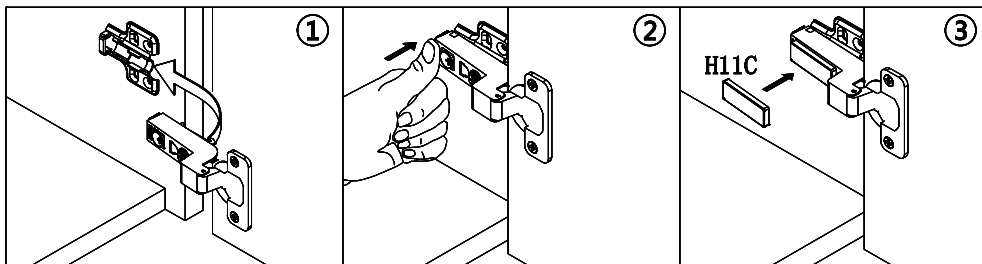
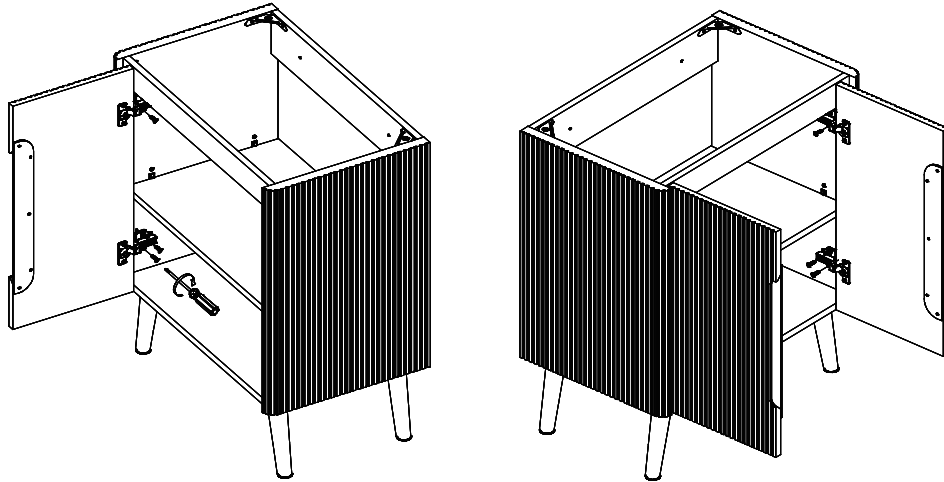
H5 (16pcs)



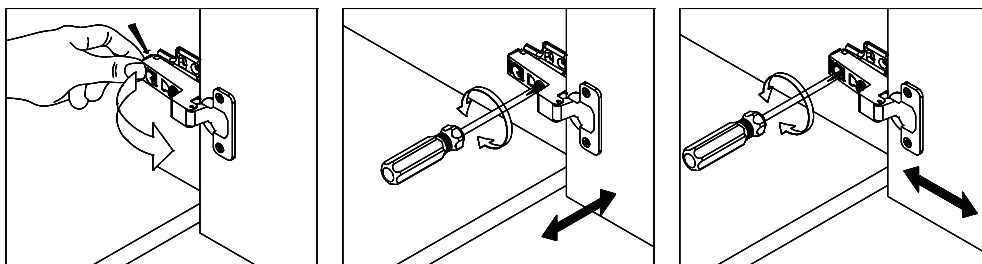
Screwdriver 

Installation

Step 9.

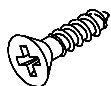


Connect the hinge to install the doors.

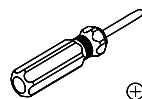


Take out the lid. Adjust the left and right screws to adjust the door position.

Parts & Tools Required:



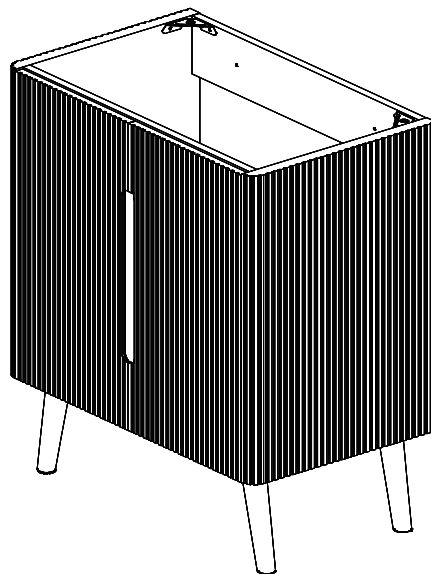
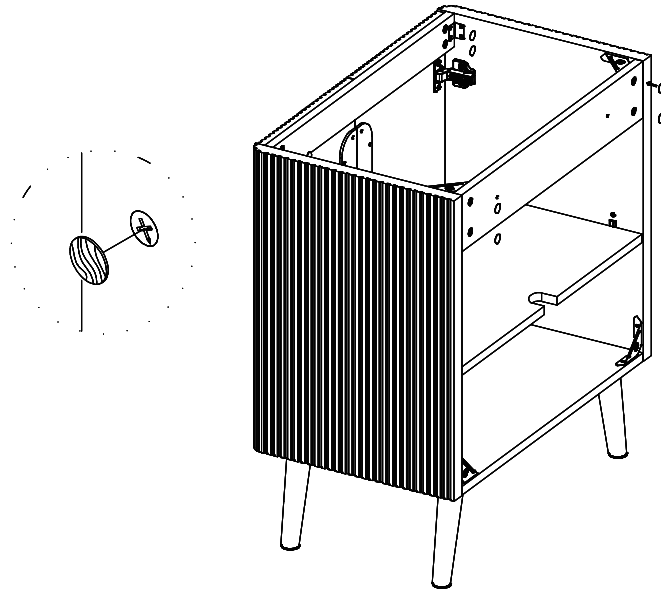
H5 (16pcs)



Screwdriver

Installation

Step 10.



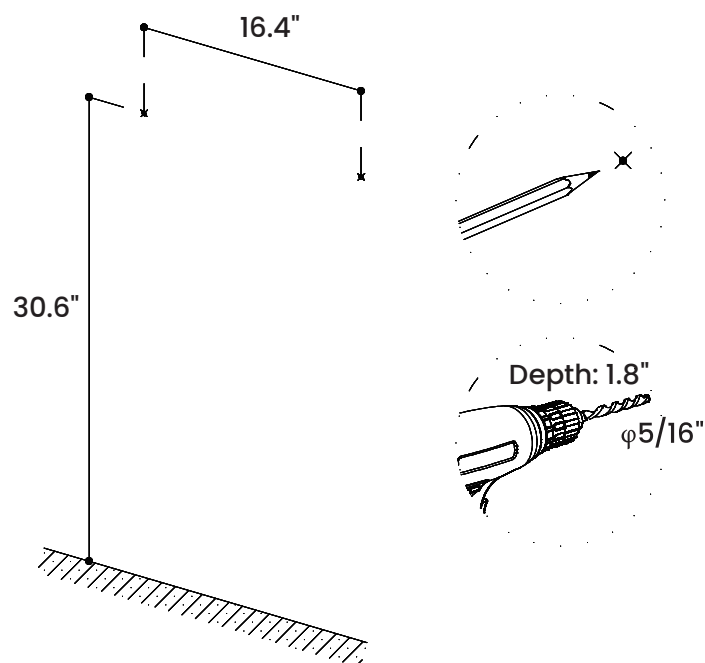
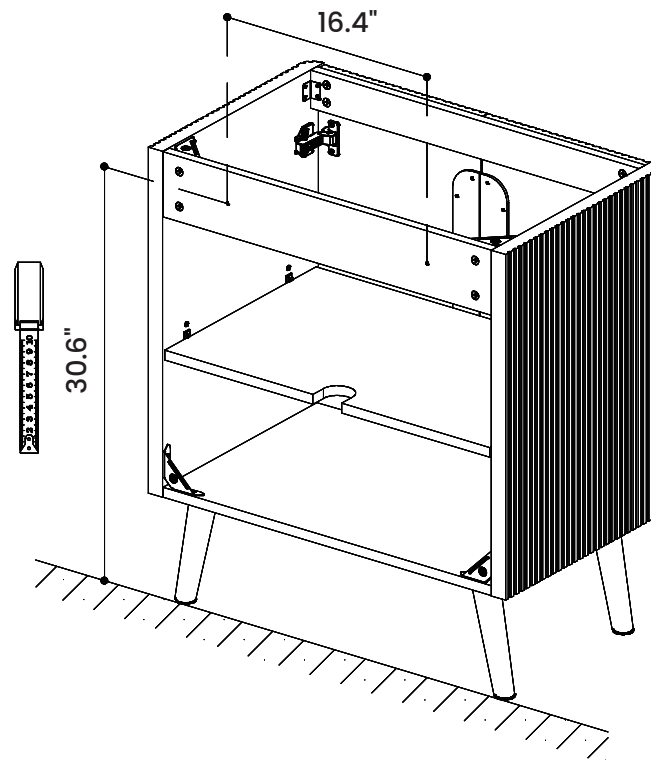
Parts & Tools Required:



H3 (8pcs)

Installation

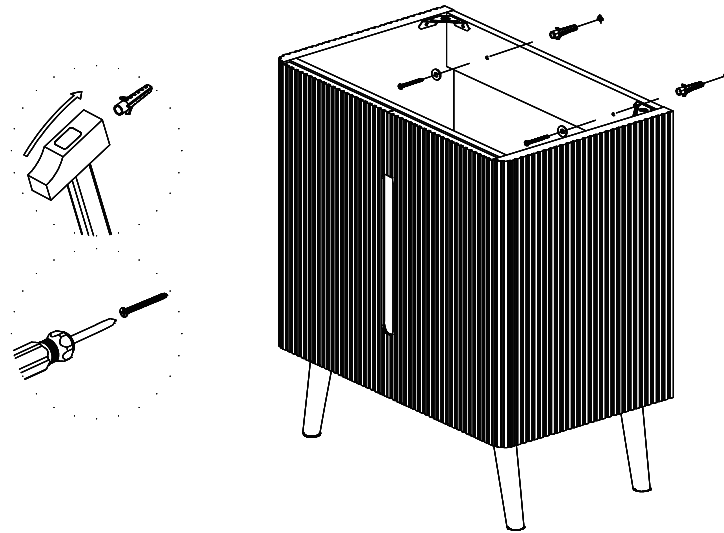
Step 11.



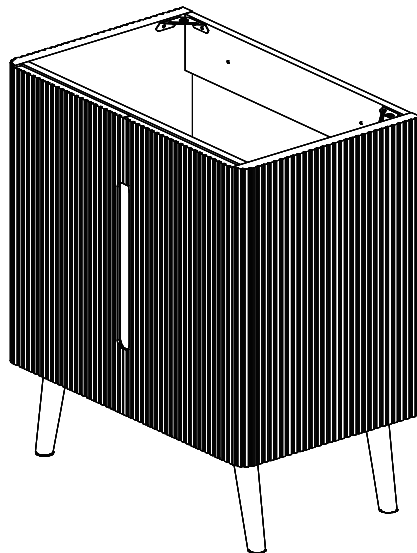
Measure and drill two holes on the wall.

Installation

Step 12.



Insert expansion screws into the wall.
Use screws and gaskets to secure the cabinet to the wall.



Installation complete