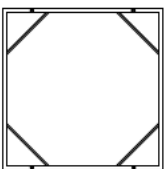
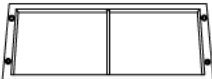
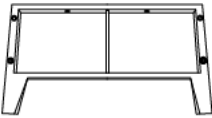



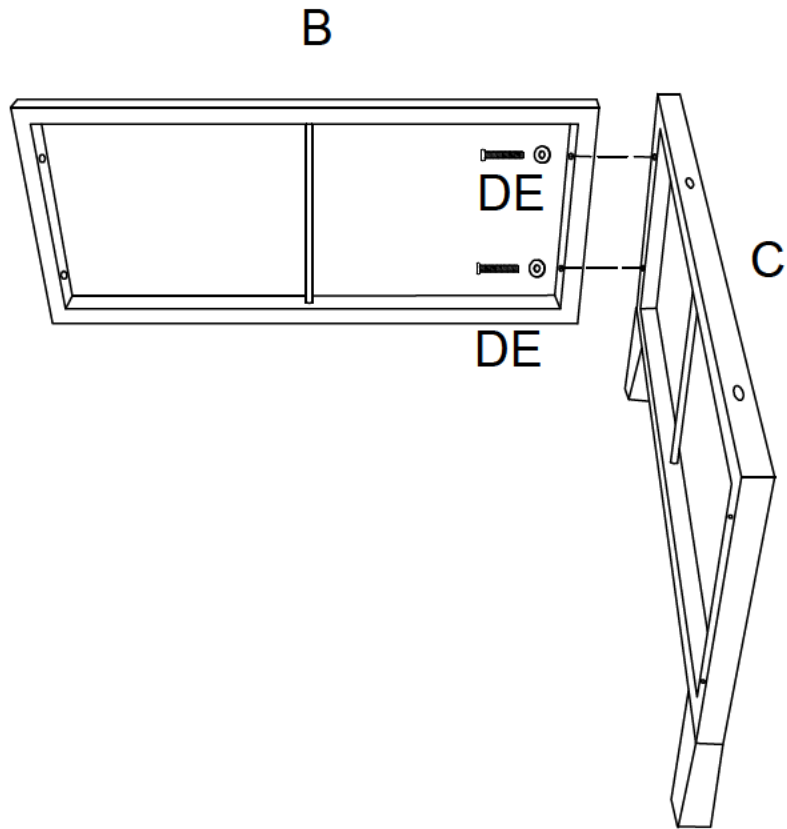


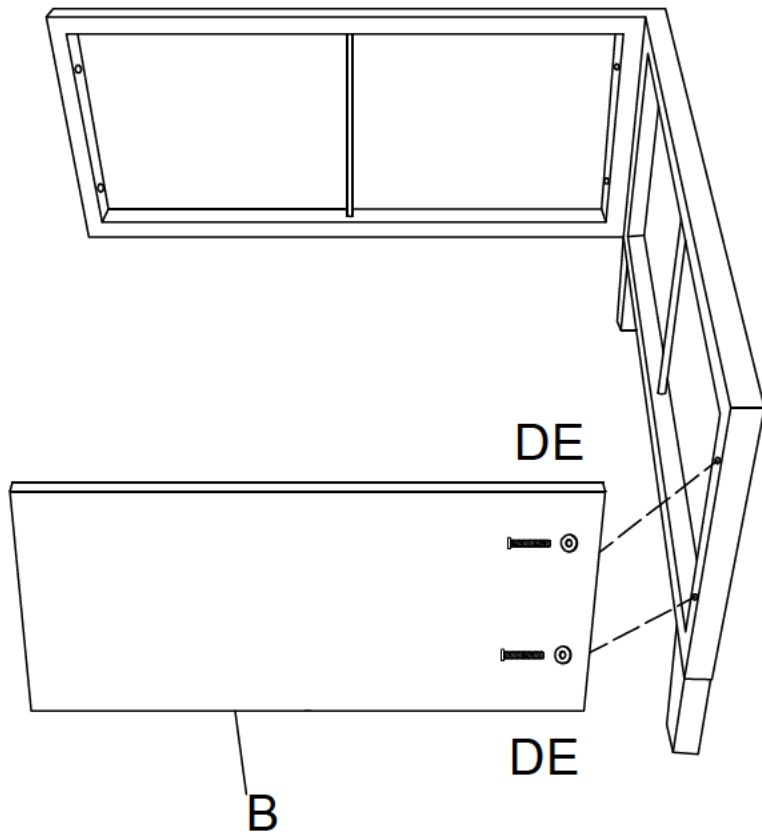
Part No.	Part	Qty	Image	Part No.	Part	Qty	Image
A	Top Panel	1		B	Side Panel	2	
C	Feet	2		D	Bolt	12	 M6*30mm
E	Washer	12		F	Seat Cushion	1	

**STEP 1**

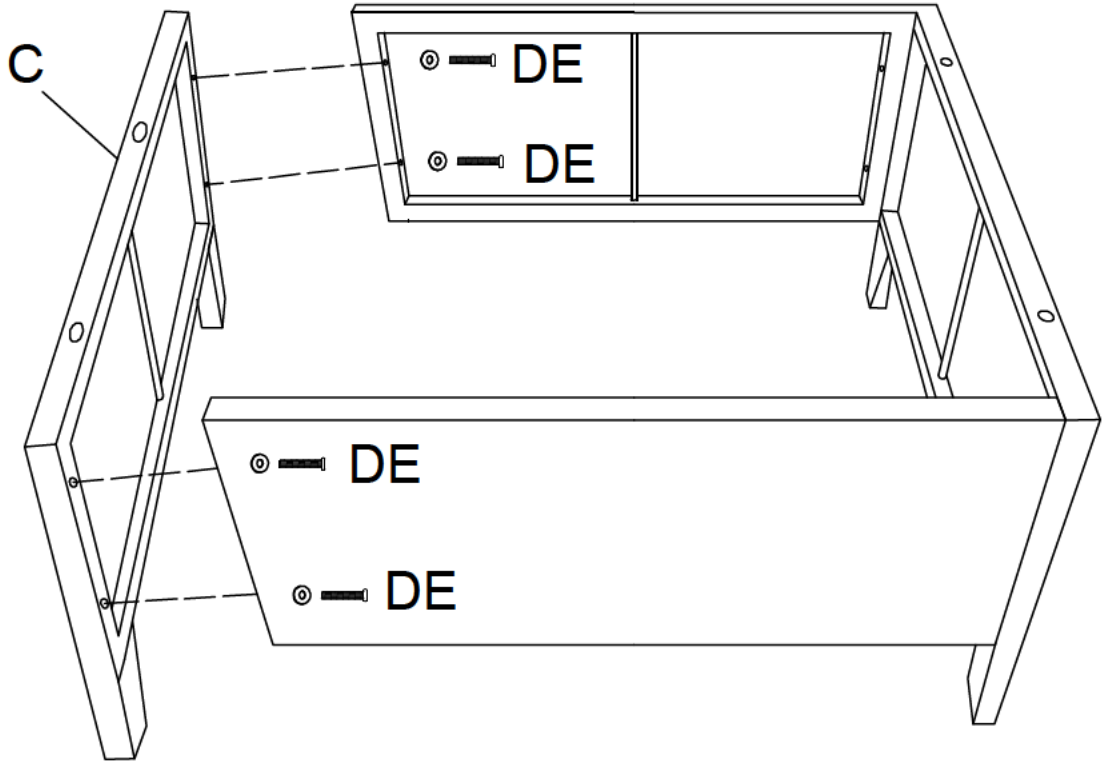


Attach side panel and feet with D,E. Don't tighten bolts!

**STEP 2**

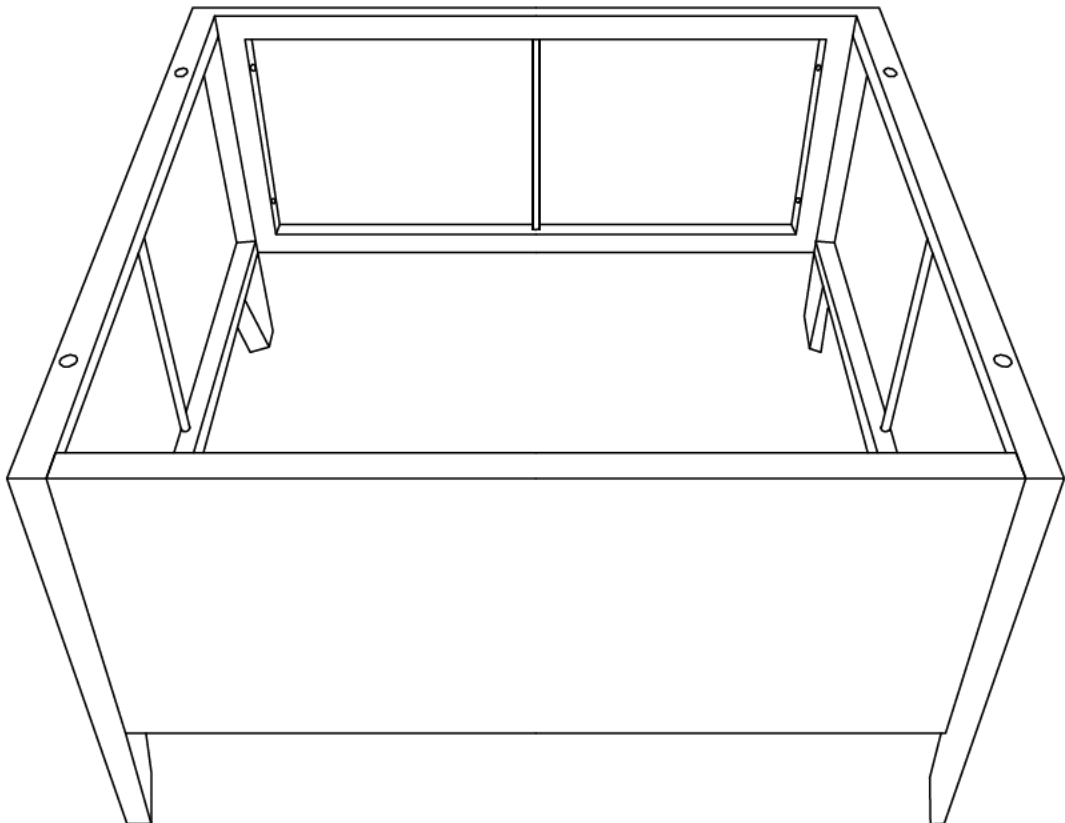


**STEP 3**

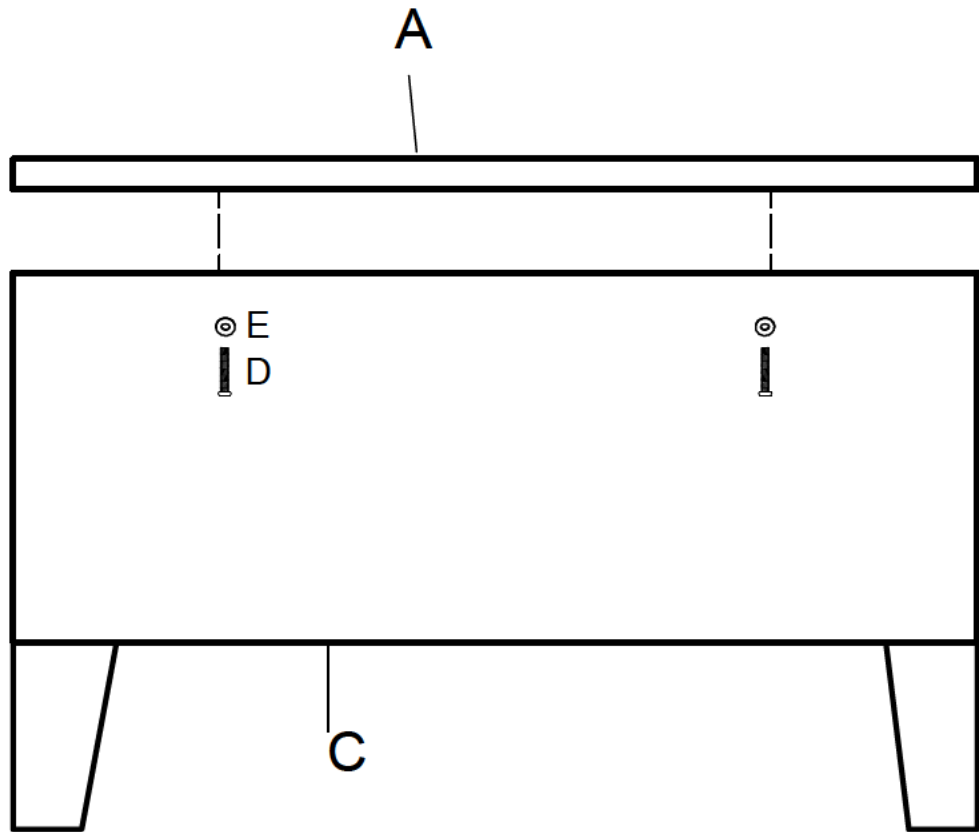


Attach side panel and feet with D,E. Don't tighten bolts!

**STEP 4**

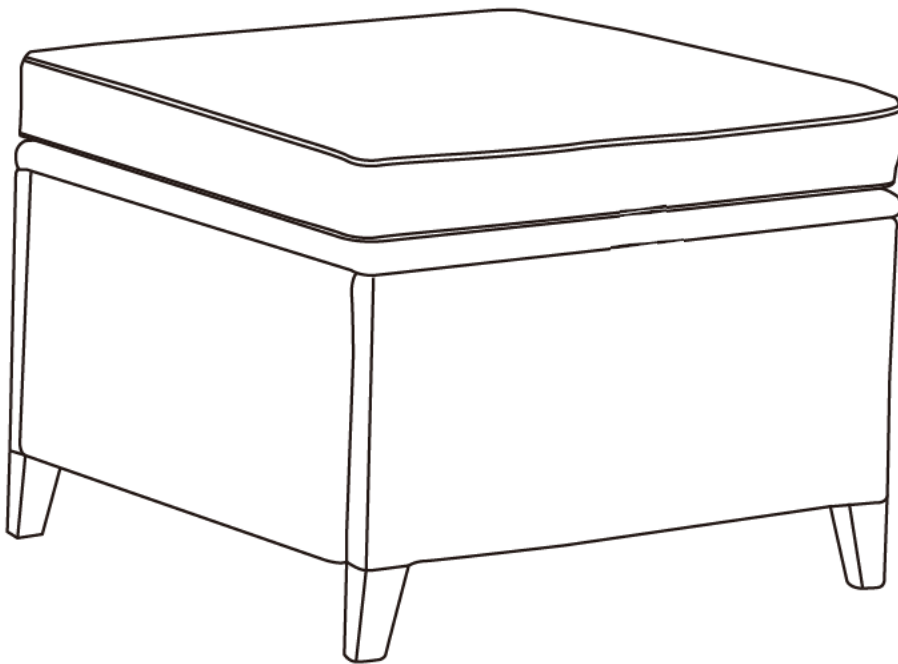


**STEP 5**

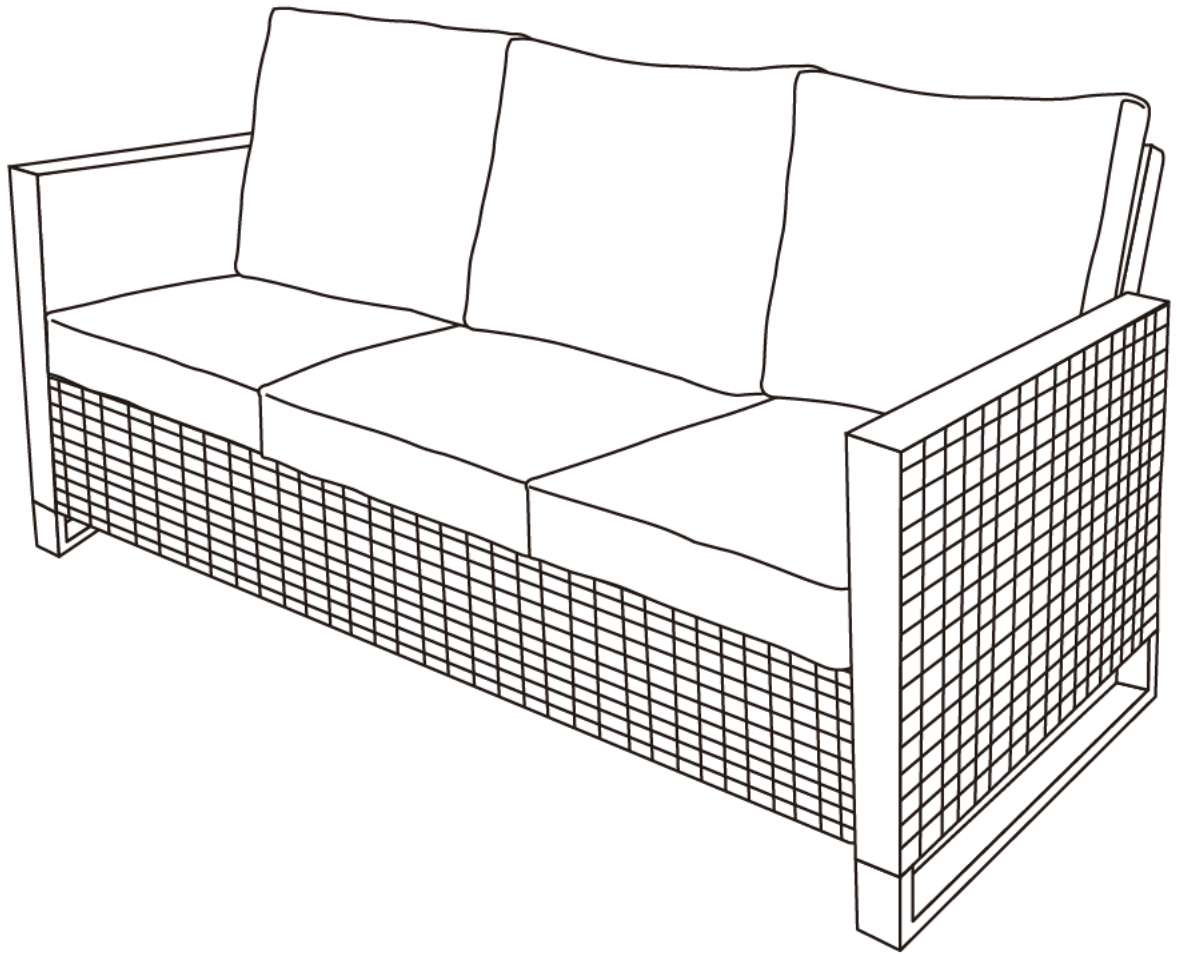


Attach top panel and ottoman frame with D,E. Tighten all the bolts!

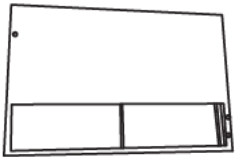


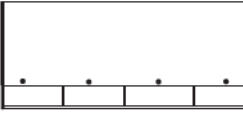
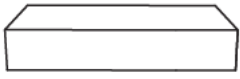




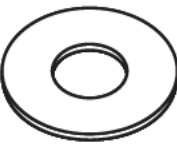
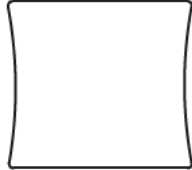
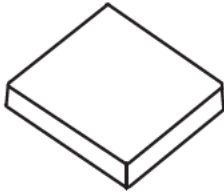

**STEP 6**



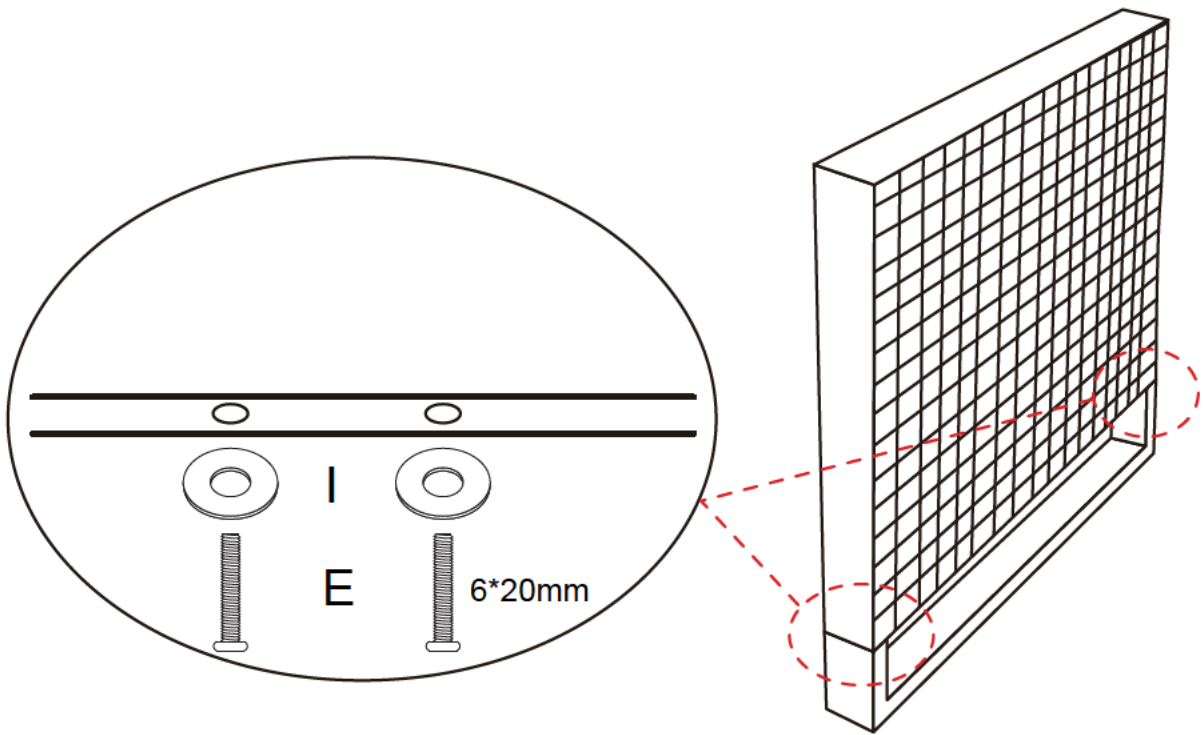
Put seat cushion on the ottoman.



# **ASSEMBLY INSTRUCTION**

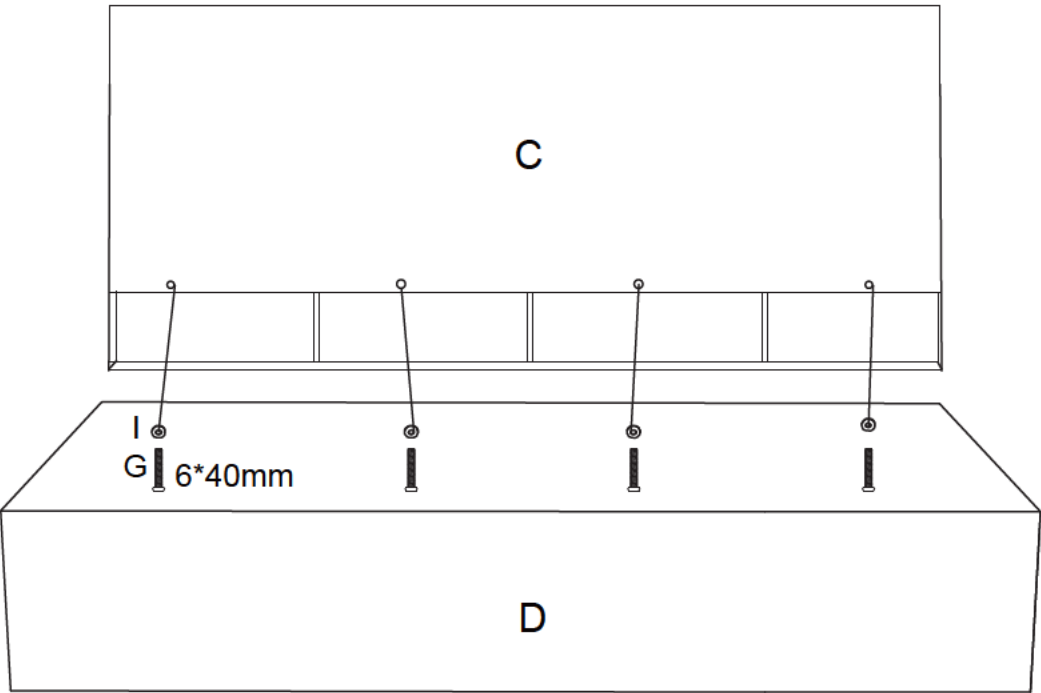
Part No.	Part	Qty	Image	Part No.	Part	Qty	Image
A1	Left Arm	1		A2	Right Arm	1	
B	Feet	2		C	Back	1	
D	Seat	1		E	Bolt	8	 M6 * 20MM
F	Bolt	6	 M6 * 35MM	G	Bolt	4	 M6 * 40 MM
H	Bolt	2	 M6 * 95MM	I	Washer	20	
J	Back Cushion	3		K	Seat Cushion	3	
L	Wrench	1					

**STEP 1**



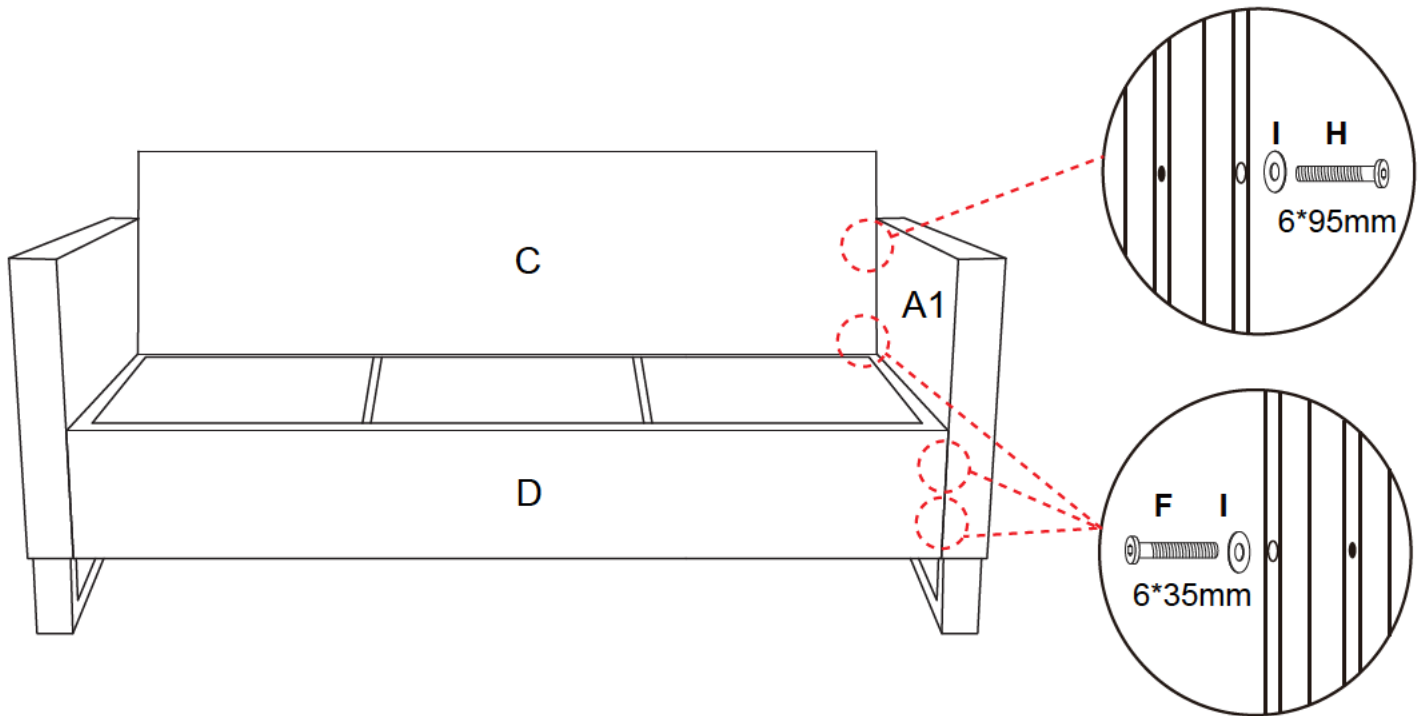
Attach left arm and feet with E and I. Don't tighten bolts!  
Attach right arm and feet in the same way.

**STEP 2**



Attach seat and back with G and I. Don't tighten bolts!

### STEP 3



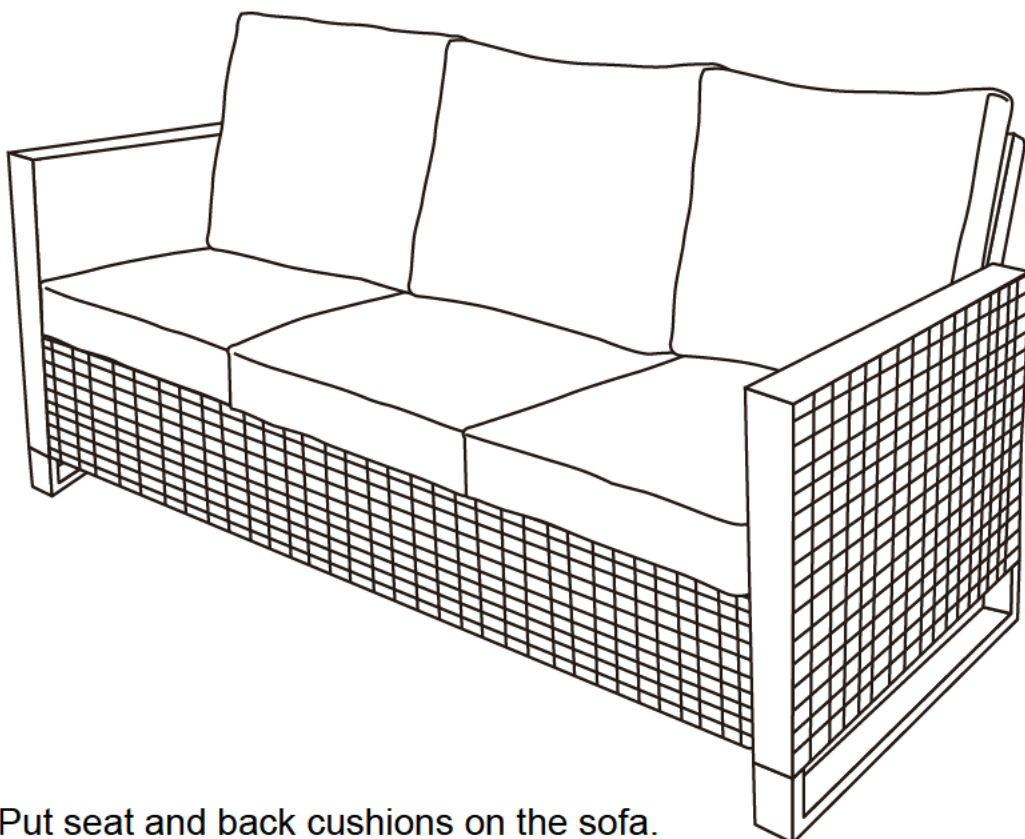
Attach left arm and back with H and I. Don't tighten bolts!

Attach left arm and back with F and I. Don't tighten bolts!

Attach left arm and seat with F and I. Don't tighten bolts!

Attach right arm in the same way. Tighten all the bolts!

### STEP 4



Put seat and back cushions on the sofa.