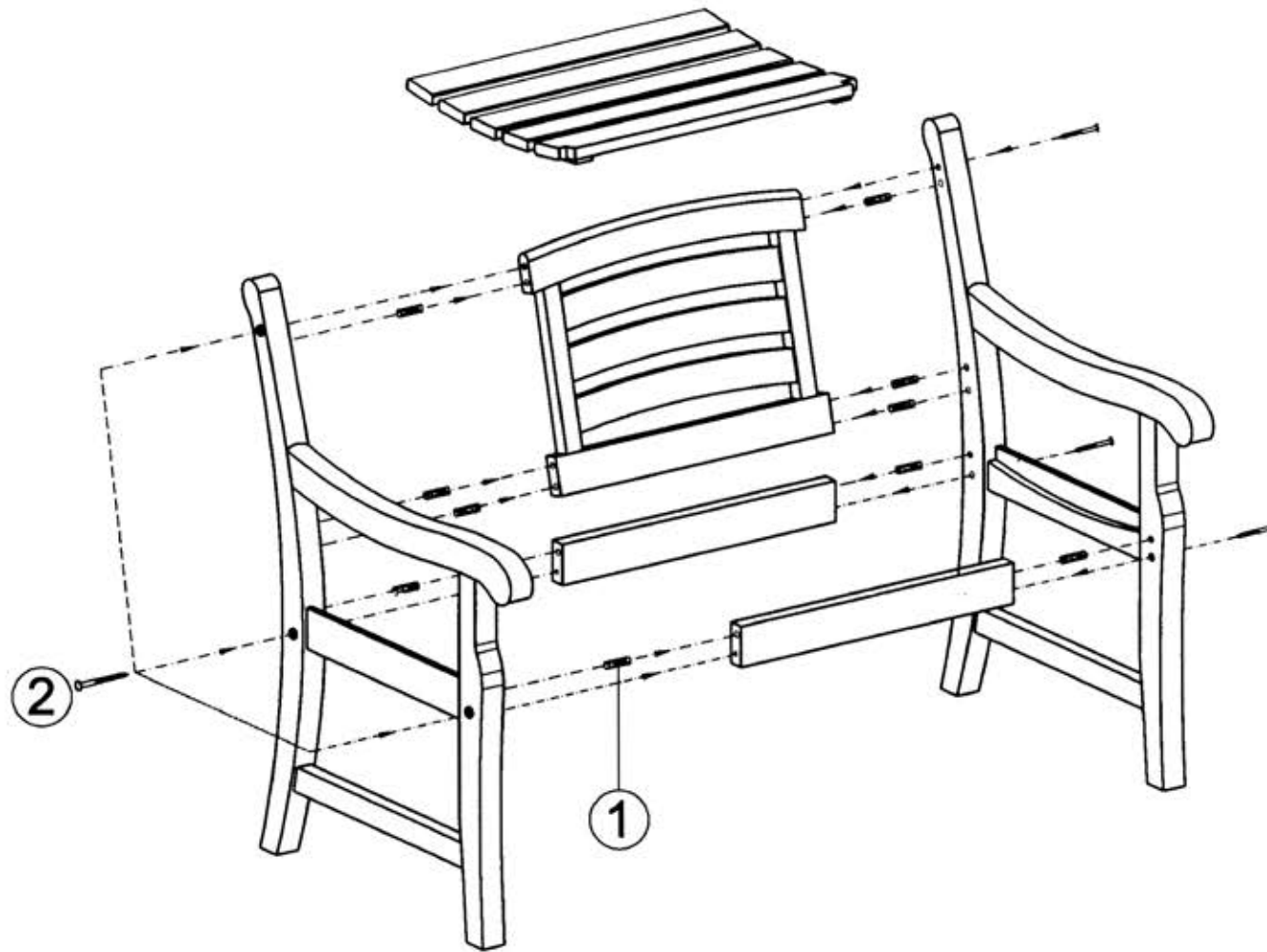


ASSEMBLY INSTRUCTION



①



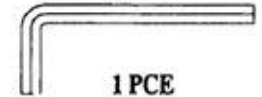
(ϕ 10 x 40)mm x 10 Pcs

②



(M7 x 90)mm x 6 Pcs

③



1 PCE

ASSEMBLY INSTRUCTION

①  8 PCS

②  8 PCS

