

# INSTRUCTION MANUAL

---

## SANDBOX



wonderful future start from the sandbox

## Remember

We strongly recommend looking after these instructions, after all without them it will be a bit tricky to put this product together. Even though we know our customers are more intelligent than most, we still think you may find these instructions useful.

## We recommend the following inspection

- ◆ This product is made from natural fir wood. If you feel a smell, please ventilate it out of door for 10 days before using it.
- ◆ Check all parts are present.
- ◆ Fasten screws loosely during initial assembly. Do not fully tighten screws until the item is completely assembled.
- ◆ During assembly, you will find that there are no pre-drill holes with some parts. For some small screws, there are no pre-drill holes. We will explain it clearly in each step to ensure that your product is stronger during use. You only need a electric screwdriver or a powerful man to easily turn screws.
- ◆ After assembly, check all screws and tighten it again. Not as tight as better. Excessive force will crack the wood.
- ◆ On rare occasions, when you first erect this product in wet conditions and where it is wet or rainy for a prolonged time, then followed by a burst of sunshine, it is still possible to get some mould on some panels. Please be reassured that this can be washed off with a mould cleaner or wiped down with a baking soda solution.
- ◆ Strongly recommended that you treat the product with a clear timber preserver, and re-treat once a year to extend the life of your product.
- ◆ Reconfirm that all bolts, screws, and knobs are secure every 180 days.
- ◆ Only after adults completed the installation, this can be used by children.
- ◆ Do not use or store this item in the proximity of open flame or flammable/combustible chemicals.
- ◆ Use on a flat ground.
- ◆ If you have any questions during installation, please do not hesitate to mail us by [aftersales365@outlook.com](mailto:aftersales365@outlook.com).

## TOOLS REQUIRED



PHILLIPS  
SCREWDRIVER



SMALL  
WRENCH



ELECTRIC DRILL  
(RECOMMENDED)



2 PERSON  
ASSEMBLY



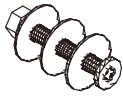
UP TO 90 MIN.  
ASSEMBLY

- ◆ This product must be assembled by 2 adults.
- ◆ We recommend using an electric screwdriver for ease, but a manual will work - you will just need a little more elbow grease!

## Hardware Include

**A**

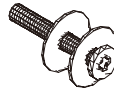
M6\*55MM  
BOLT SET



7PCS

**B**

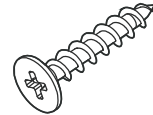
M6\*40MM  
BOLT SET



4PCS

**C**

M3.5\*35MM  
SCREW



18PCS+1SPARE

**D**

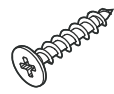
WRENCH



1PC

**E**

M3.0\*30MM  
SCREW



20PCS+1SPARE

**F**

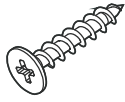
M3.0\*16MM  
SCREW



9PCS+1SPARE

**G**

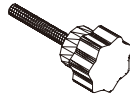
**M3.5\*20MM  
SCREW**



**4PCS+1SPARE**

**H**

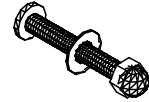
**BOLT**



**4PCS**

**I**

**M6\*55MM  
BOLT SET**



**4PCS**

**J**

**BOLT**



**2PCS**

**K**

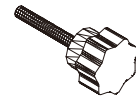
**SPACER**



**4PCS**

**L**

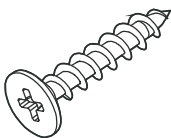
**BOLT**



**2PCS**

**M**

**M3.5\*45MM  
SCREW**



**8PCS+1SPARE**

**N**

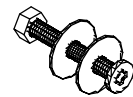
**METAL BAR**



**2PCS**

**O**

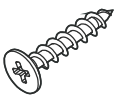
**M6\*30MM  
BOLT SET**



**2PCS**

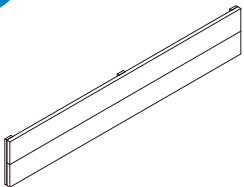
**P**

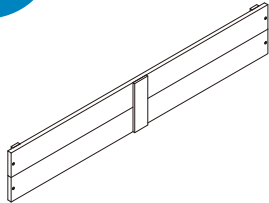
**M3.5\*16MM  
SCREW**

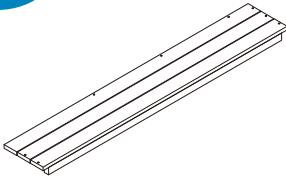



**8PCS+1SPARE**


# Parts Include

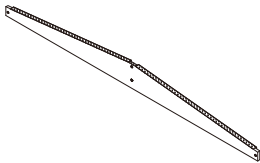
**1** PANEL OF SANDBOX  
  
**1PC**

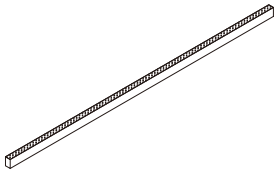
**2** PANEL OF SANDBOX  
  
**2PCS**

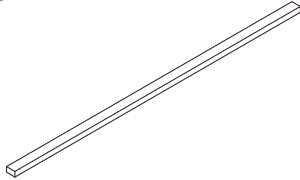
**3** SEAT PANEL OF SANDBOX  
  
**2PCS**

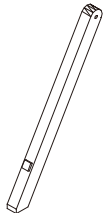
**4** UPPER CANOPY SUPPORT  
  
**2PCS**


**5** LOWER CANOPY SUPPORT  
  
**2PCS**

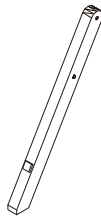
**6** FRONT/ BACK CANOPY FRAME  
  
**2PCS**

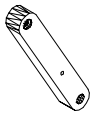
**7** LEFT/ RIGHT CANOPY FRAME  
  
**2PCS**

**8** MIDDLE CANOPY FRAME  
  
**1PC**

**9** LONG CONNECT POLE  
  
**1PC**

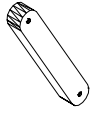
**10** SUPPORT POLE  
  
**4pcs**

**11** LONG CONNECT POLE  
  
**1PC**

**12** CONNECT POLE  
  
**1PC**

**13**

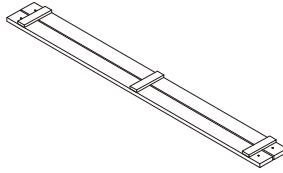
**CONNECT POLE**



**1PC**

**14**

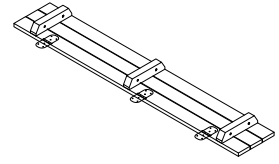
**SUPPORT PANEL OF TABLE**



**1PC**

**15**

**SEAT PANEL OF TABLE**



**1PC**

**16**

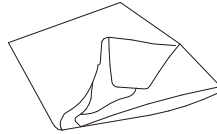
**LEG**



**2PCS**

**17**

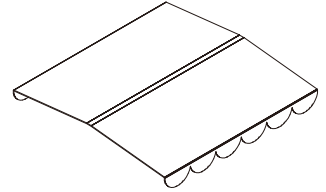
**SAND LINING**



**1PC**

**18**

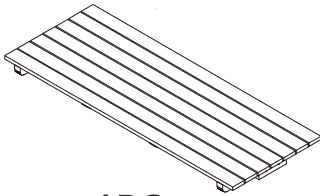
**CANOPY**



**1PC**

**19**

**TABLE**



**1PC**

**20**

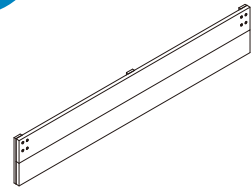
**LEG**



**1PC**

**21**

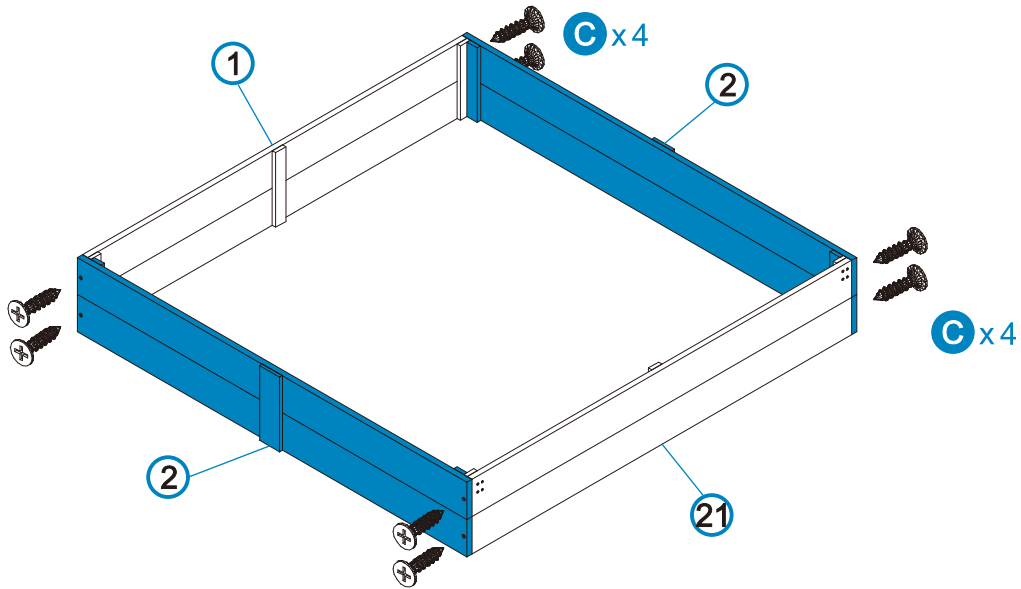
**PANEL OF SANDBOX**



**1PC**

## STEP 1

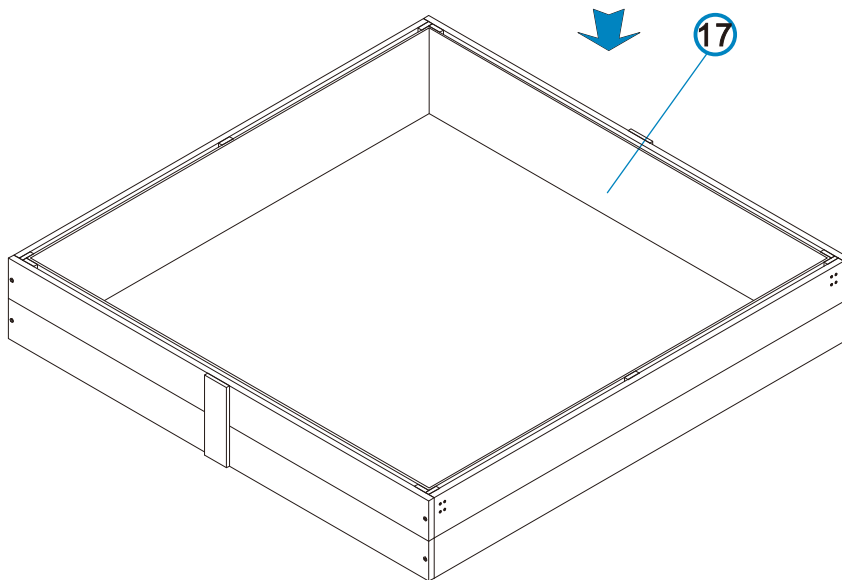
Attach Part 1, Part 21 to 2xPart 2 by 4xC screws each side (Notice the pre-drilled holes on Part 21 face outward).



---

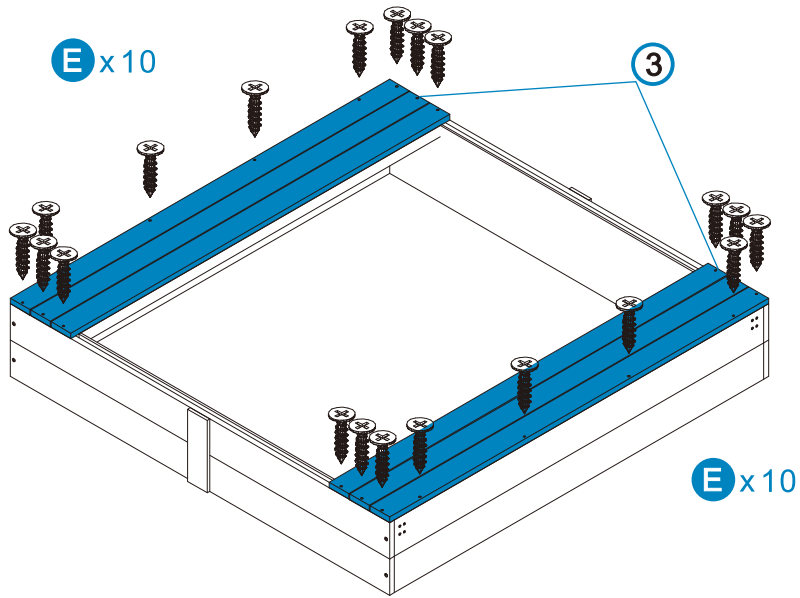
## STEP 2

Put the sand lining Part 17 to step 1.



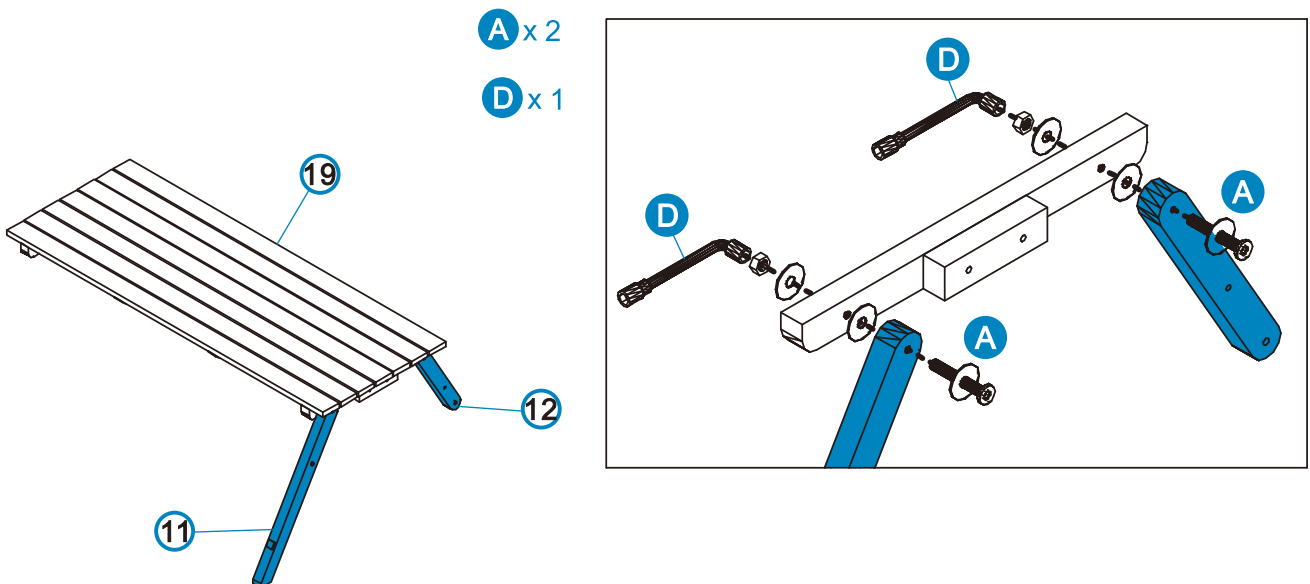
## STEP 3

Screw the seat panel 2xPart 3 by 10xE screws each side.



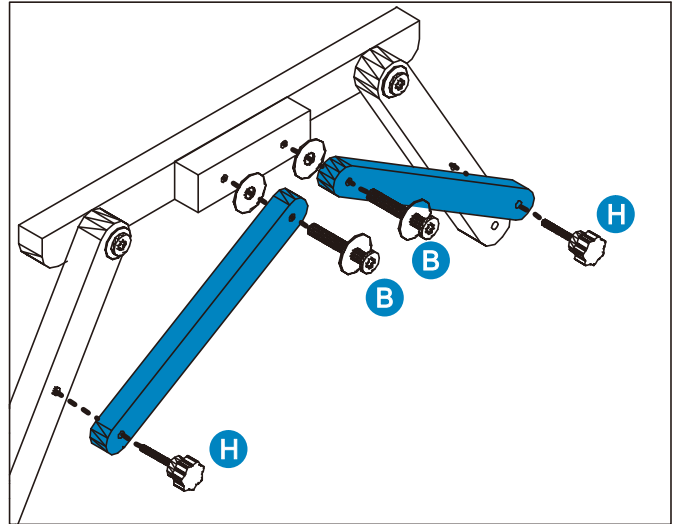
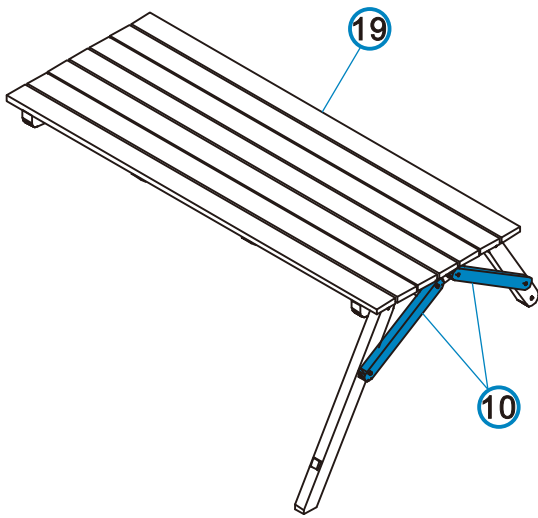
## STEP 4

Using the wrench Part D, attach the connect pole Part 11 & 12 to table Part 19 by 2xA bolt sets.



## STEP 5

Attach the support pole 2xPart 10, one side to the small rectangular piece of wood by 2xB bolt sets, the other side to Part 11 & 12 by 2xH bolts.

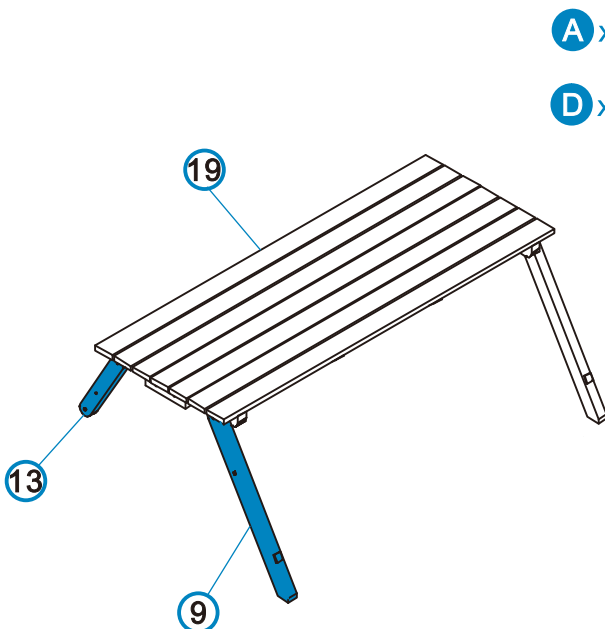


B x 2

H x 2

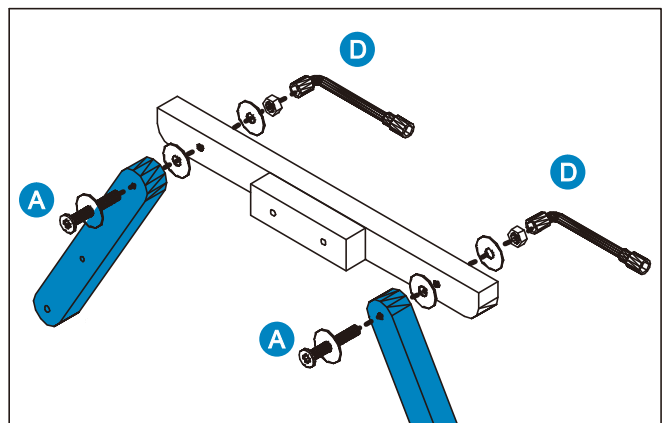
## STEP 6

Repeat similar step on the other side. Using the wrench Part D, attach the connect pole Part 9 & 13 to table Part 19 by 2xA bolt sets.



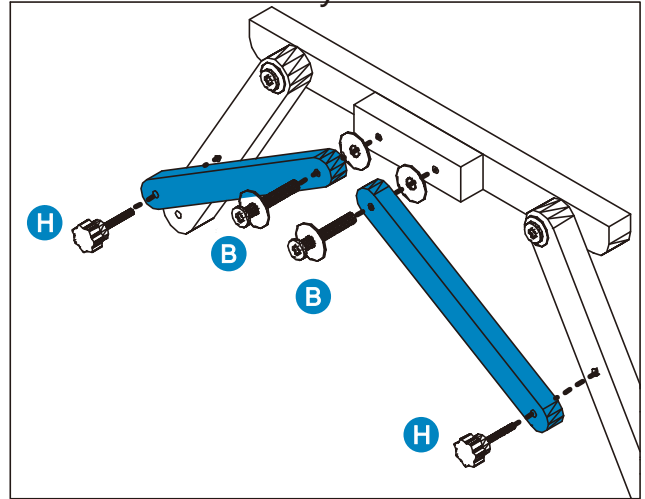
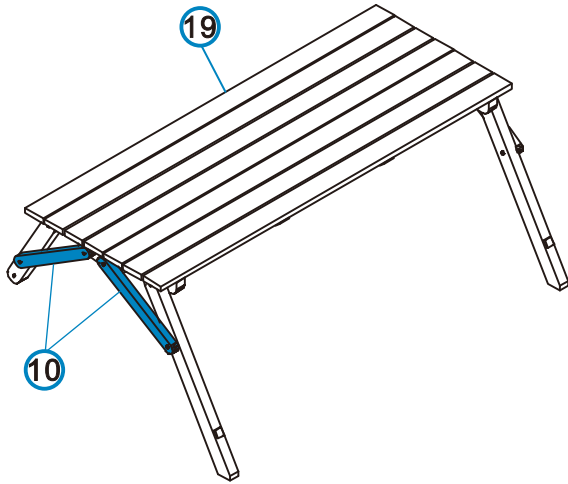
A x 2

D x 1



## STEP 7

Attach the support pole 2xPart 10, one side to the small rectangular piece of wood by 2xB bolt sets, the other side to Part 9 & 13 by 2xH bolts.

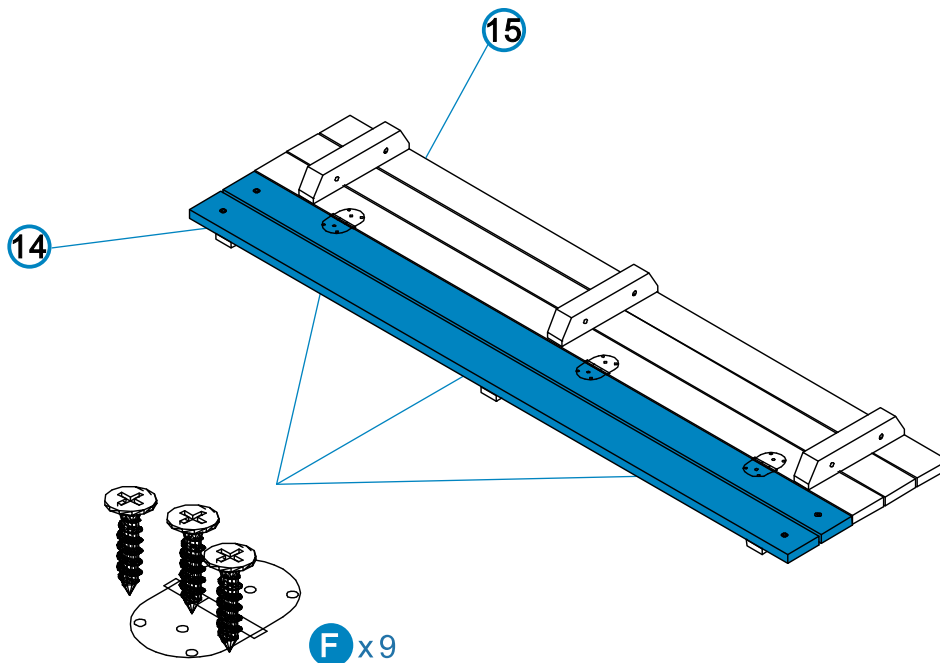


**B** x 2

**H** x 2

## STEP 8

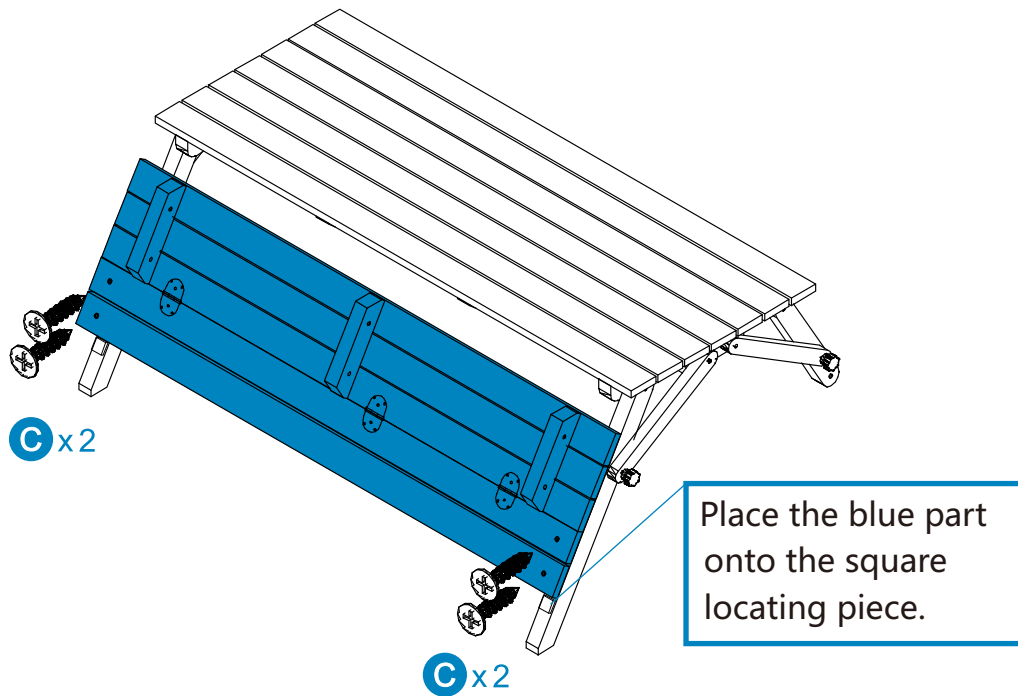
Attach Part 14 to Part 15 by 3x F screws on each hinge.



**F** x 9

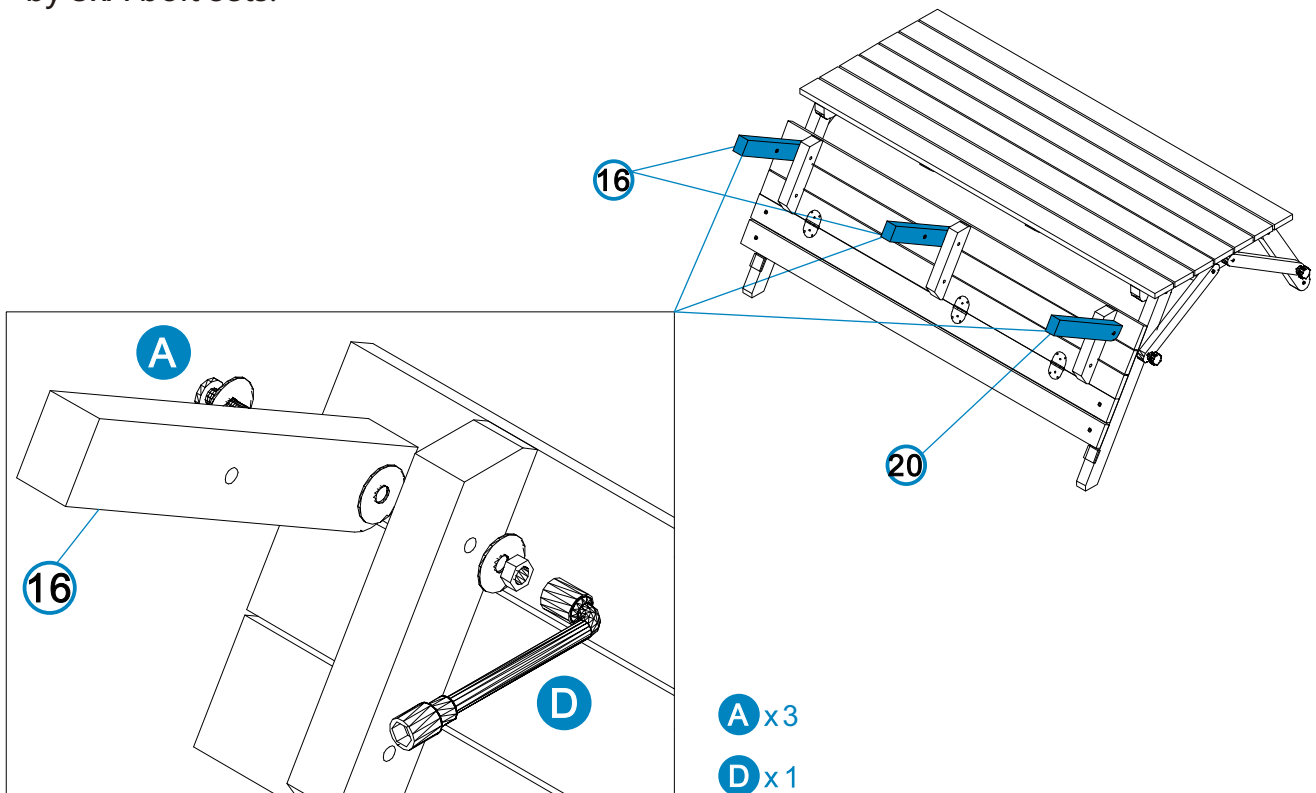
## STEP 9

Attach step 8 to long connect pole by 2xC screws on left and right side.



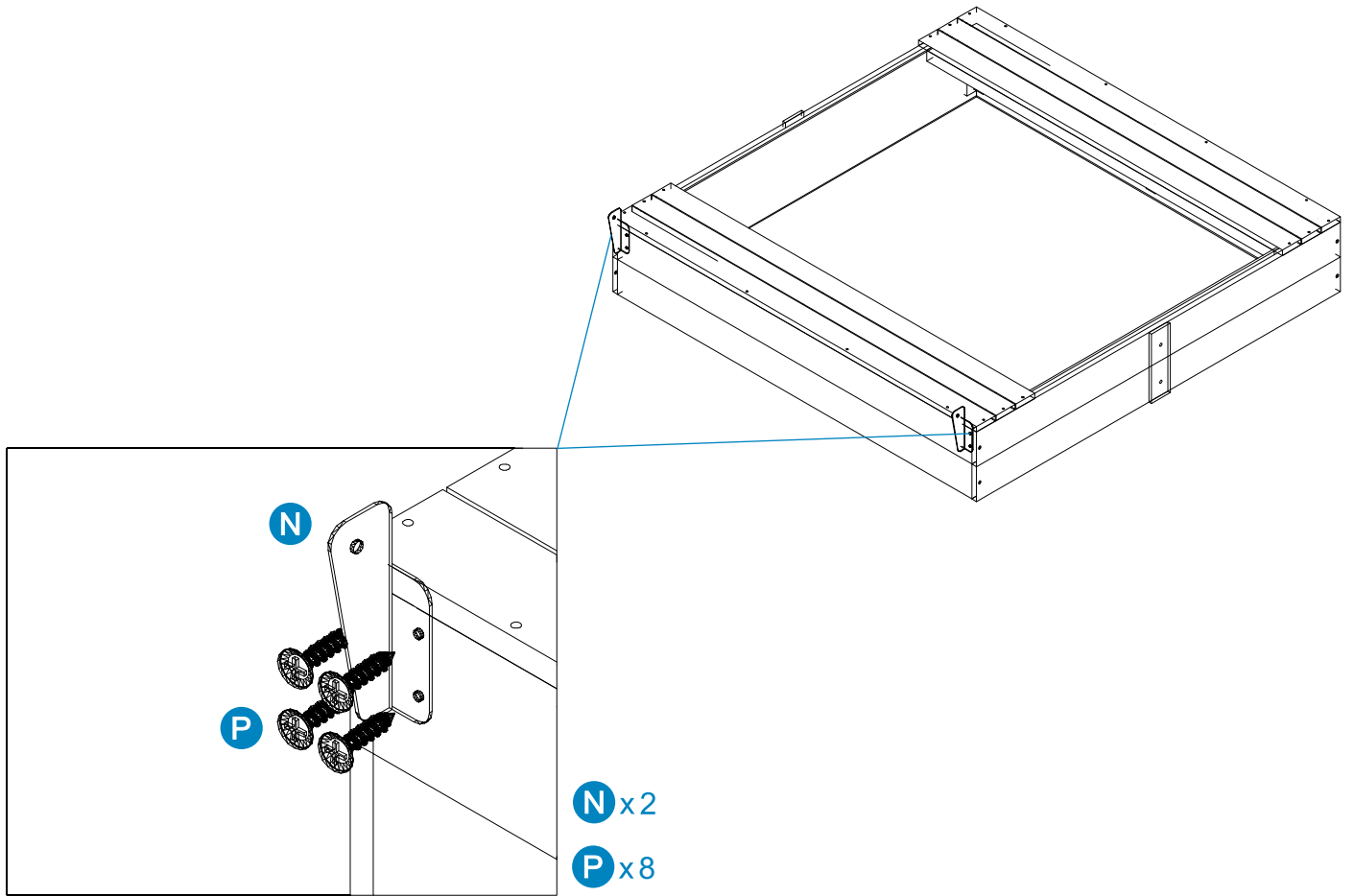
## STEP 10

Using the wrench Part D, attach the legs 2xPart 16 and 1xPart 20 by 3xA bolt sets.



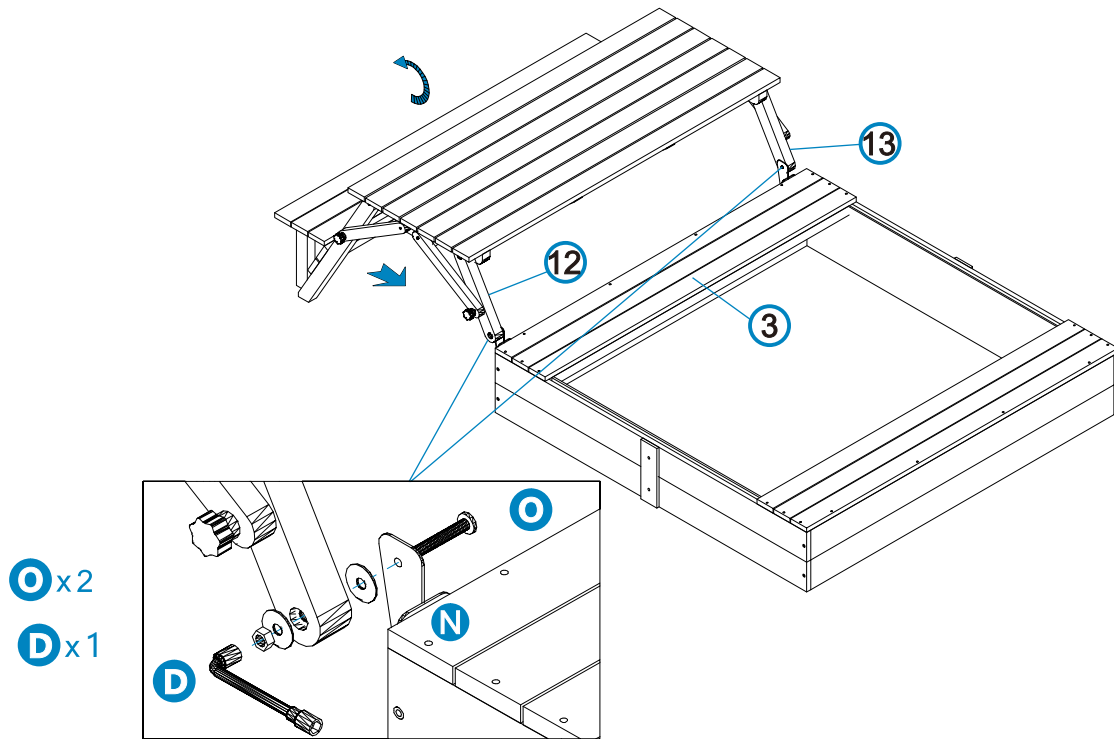
# STEP 11

Screw metal bars 2xPart N by 4xP screws each side.



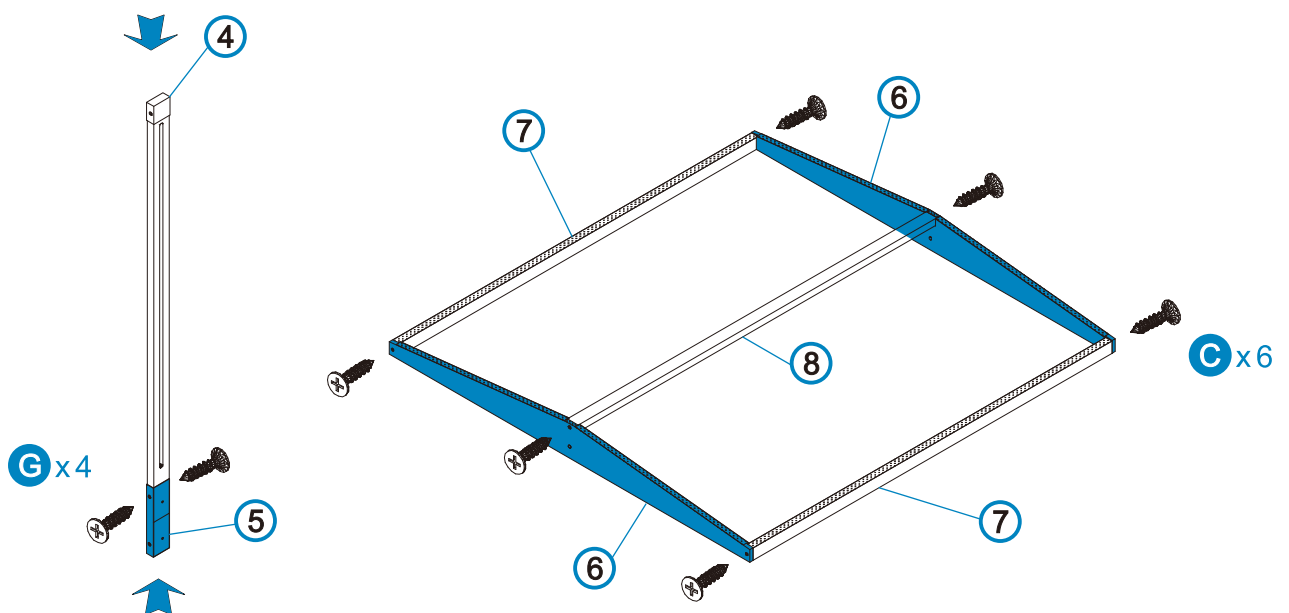
## STEP 12

Turn the seat panel at step 10 to make the legs stand on the ground. Using the wrench Part D, attach the connect pole Part 12 & 13 to metal bar Part N by 1x O bolt set each side.



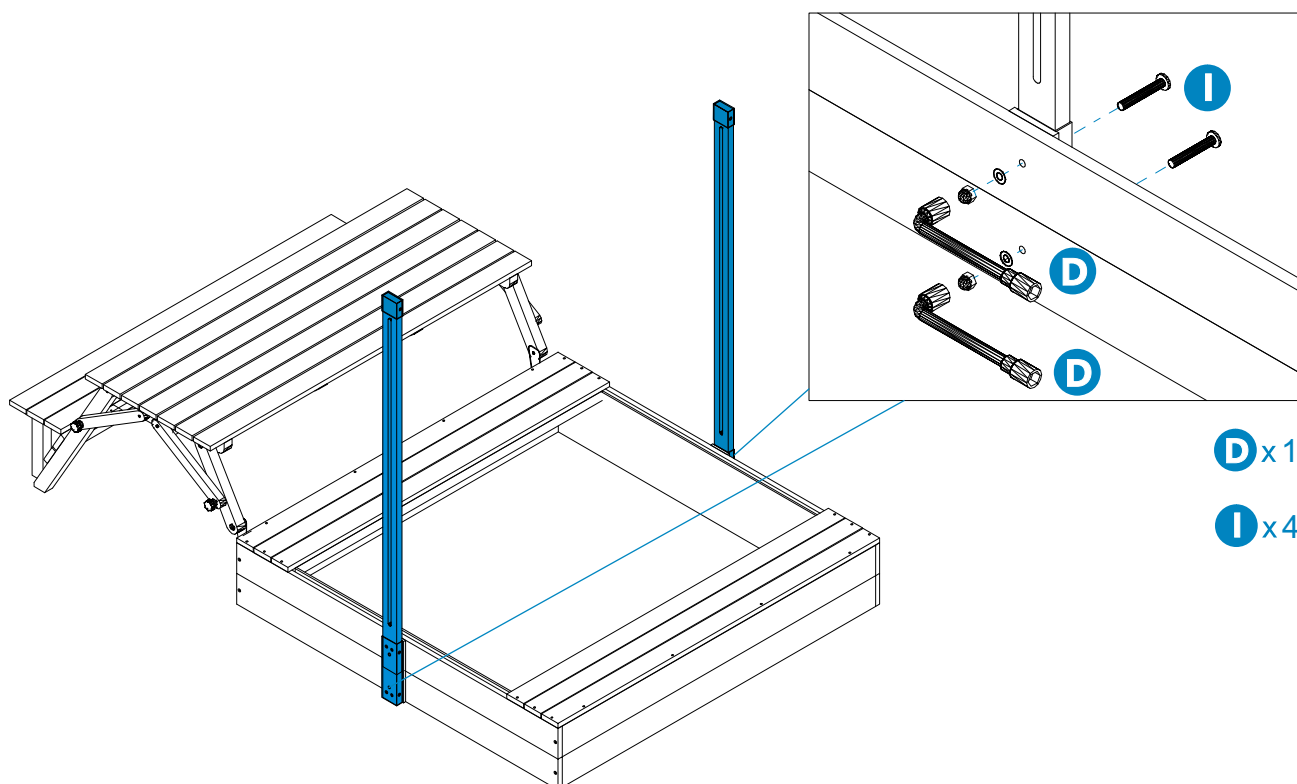
## STEP 13

Attach canopy support Part 4 to Part 5 by 2xG screws. Repeat on the other canopy support. Attach canopy frame 2xPart 6, 2xPart 7 with Part 8 by 3xC screws each side.



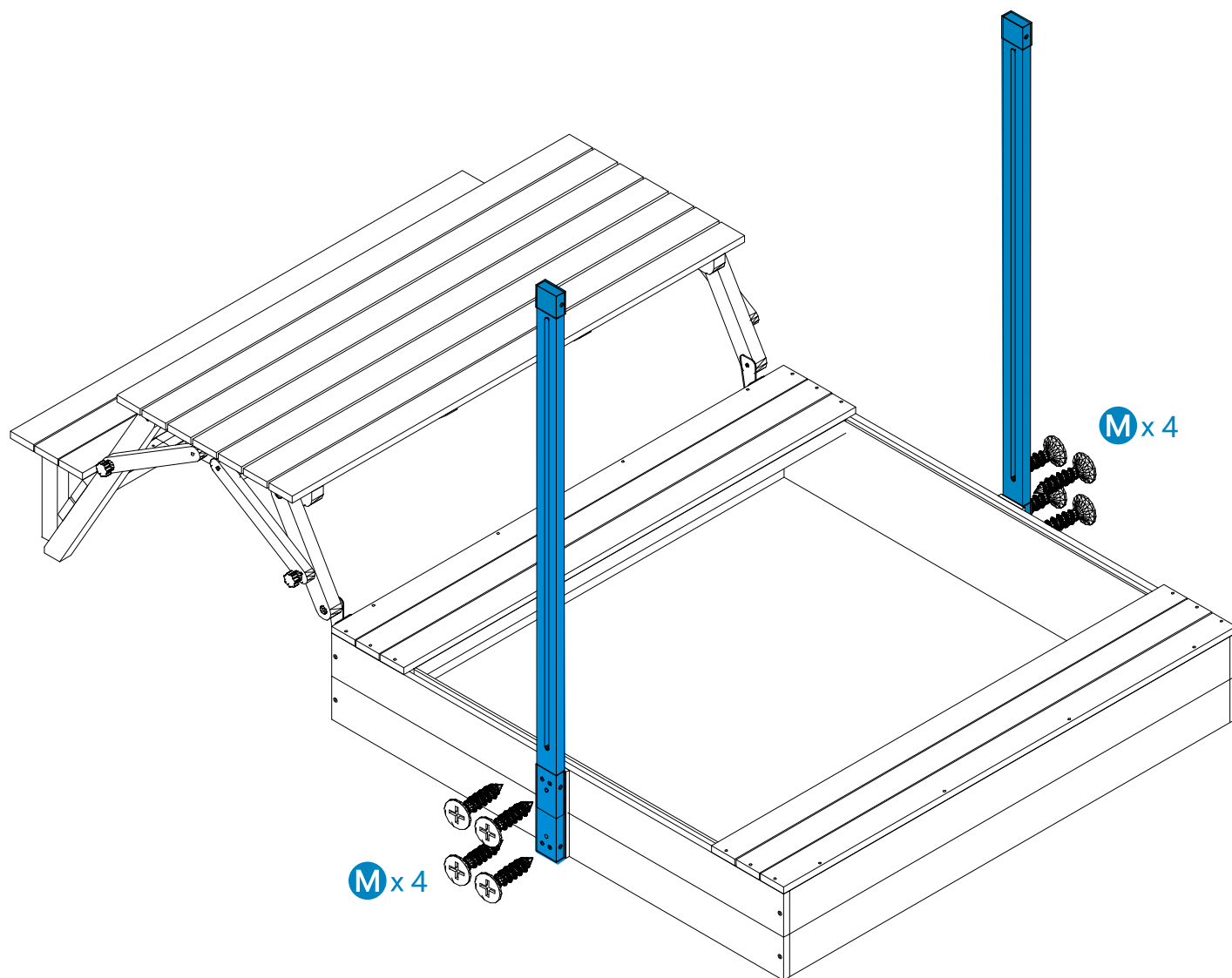
# STEP 14

Using the wrench Part D, bolt 2 canopy supports by 2xl bolts each side.



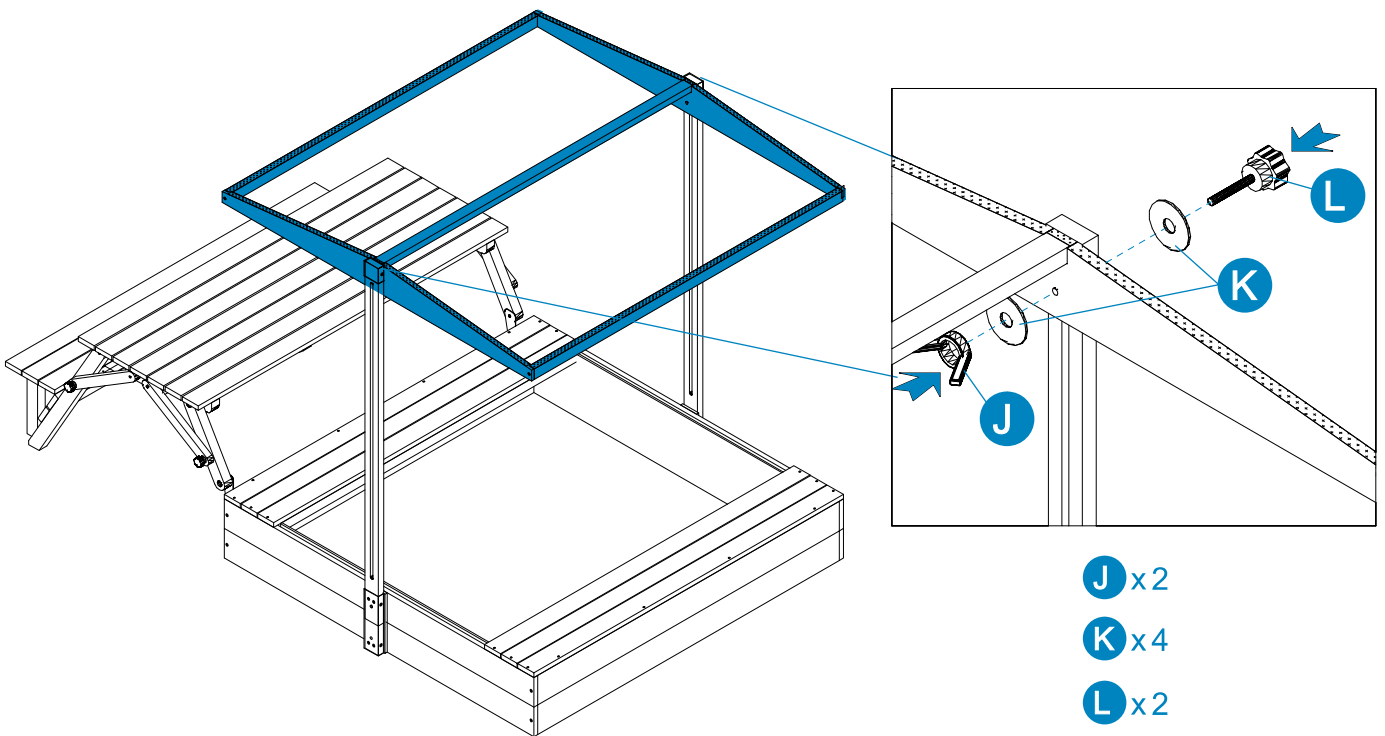
# STEP 15

Screw 2 canopy supports by 4xM screws each side.



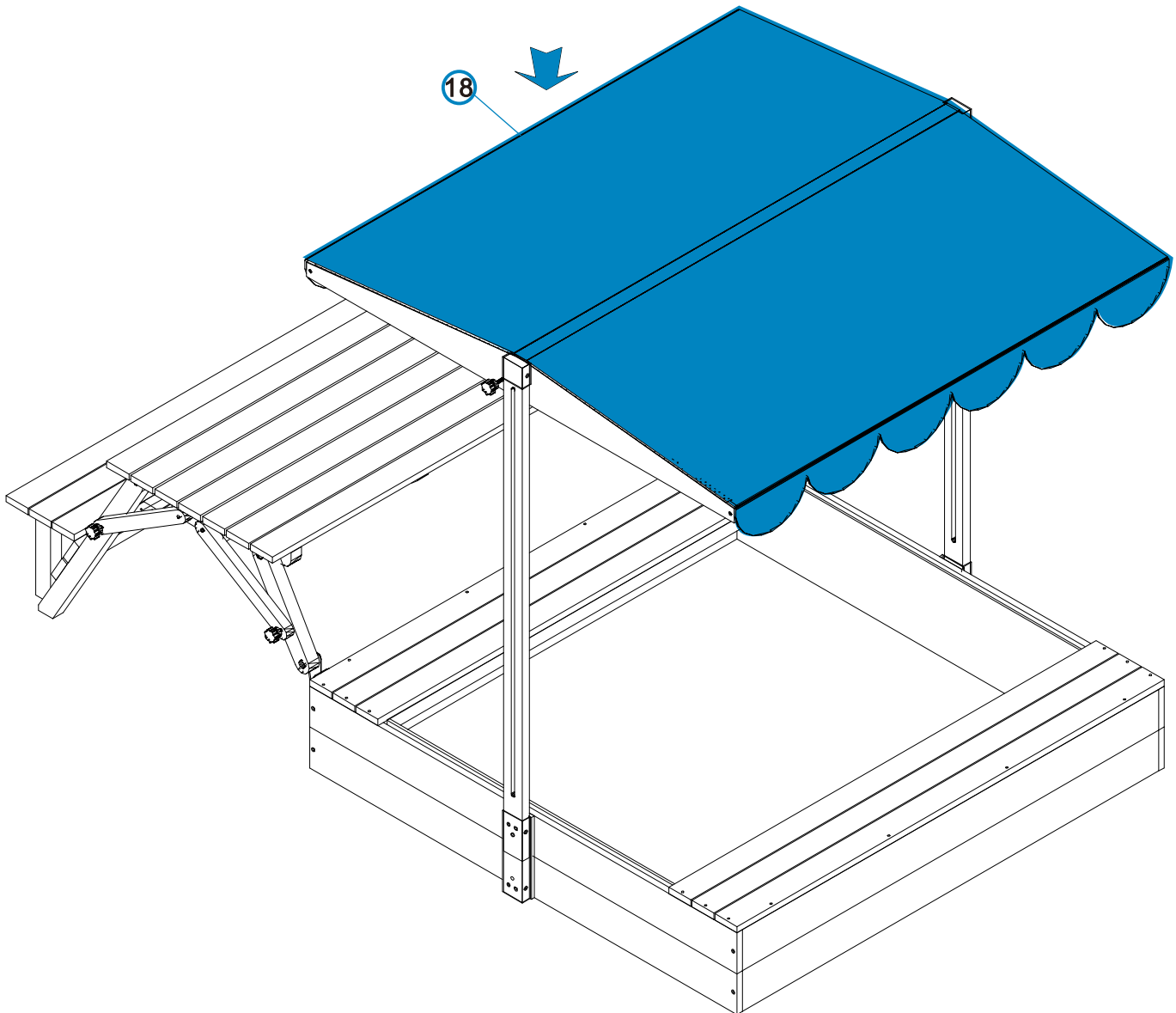
# STEP 16

Bolt the canopy frame to the Inside of canopy supports by 1xJ, 2xK, 1xL each side.



## STEP 17

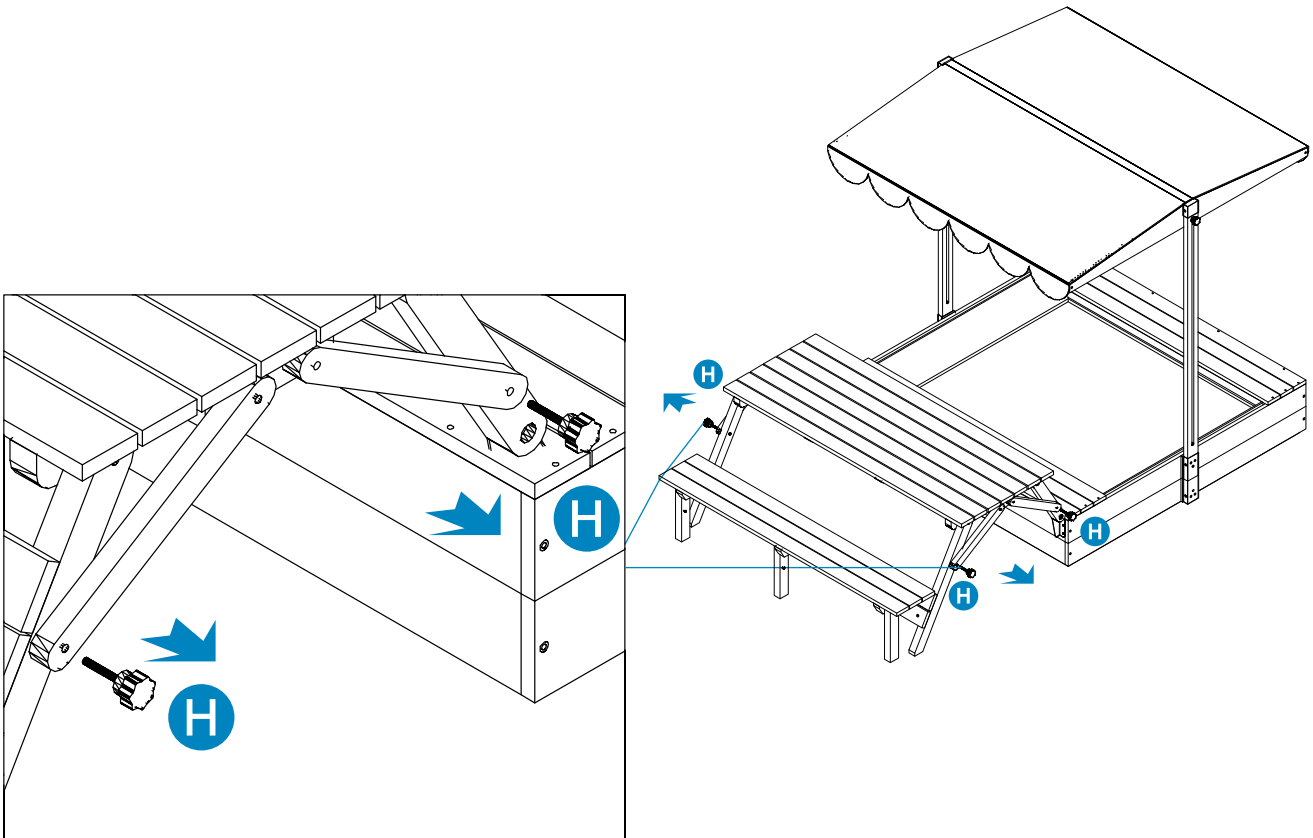
Stick the canopy Part 18 by the velcro.



# The following steps for storage sandbox

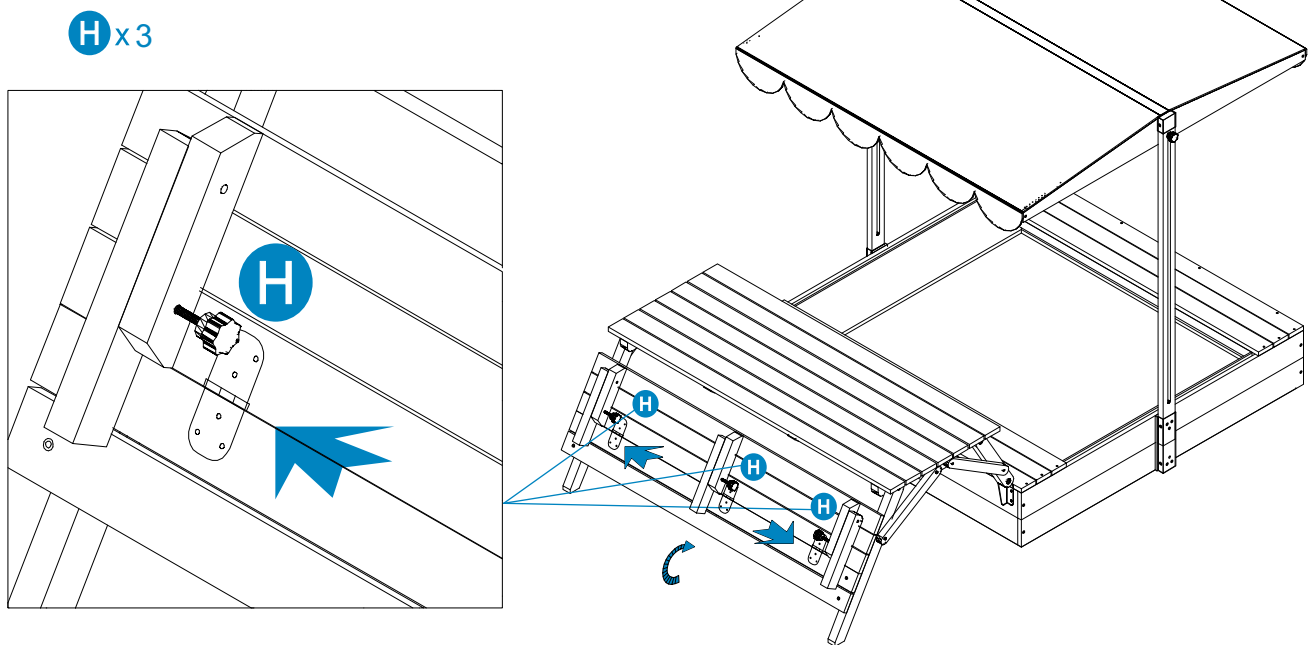
## STEP 18

Screw out 2xH bolts from the support poles.



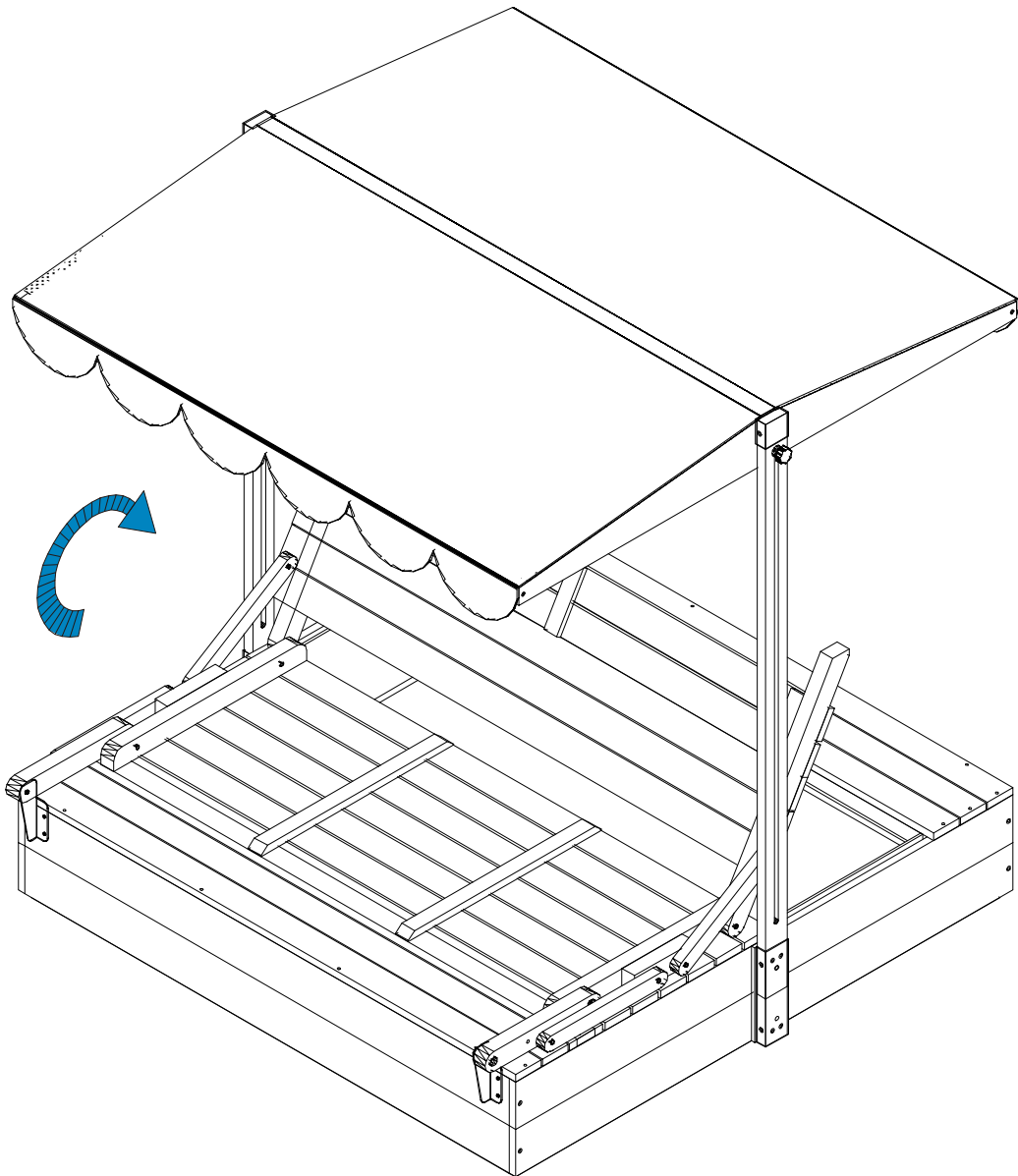
# STEP 19

Turn the seat panel of table, bolt 3xH bolts as shown on the picture.

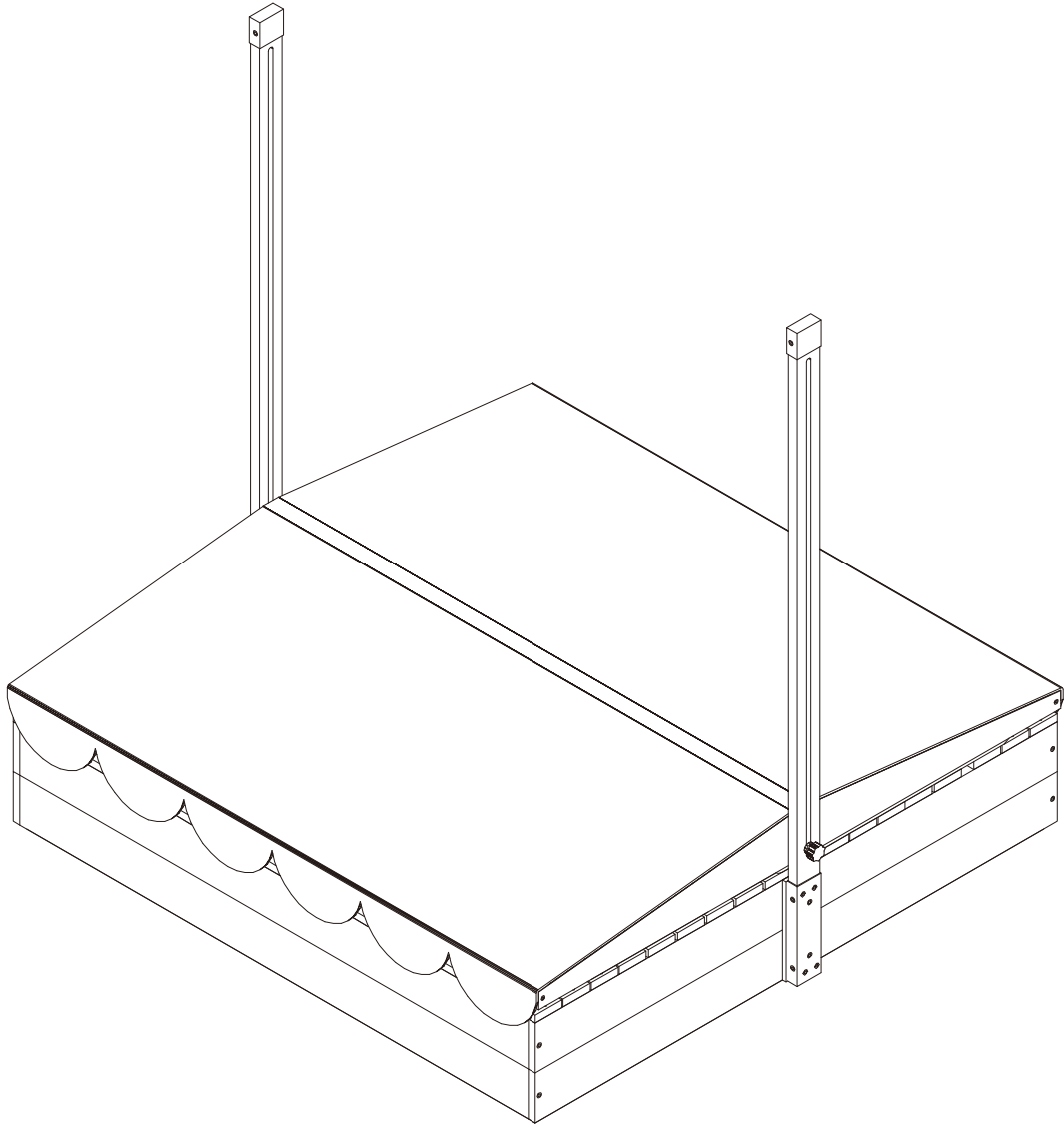


## STEP 20

Put away the table and bench to cover the sandbox.



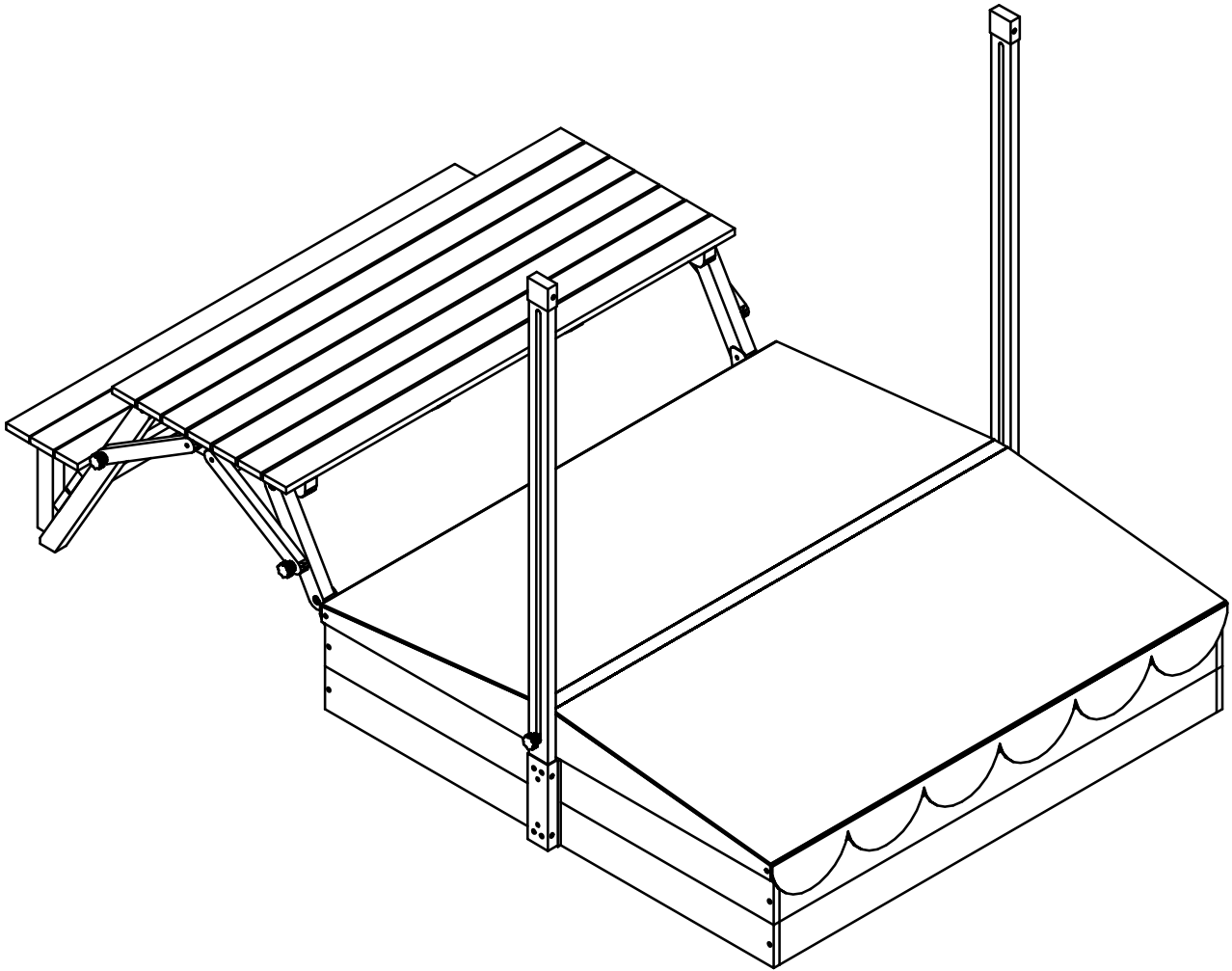
## STEP 21



When not in use, the canopy needs to be lowered, and the sudden wind may blow it !!!

## STEP 22

If you don't want to put the picnic table away, you can just lower the canopy to cover the sandbox.  
The picnic table can be used separately.



## PRODUCT WARRANTY INFORMATION

All items can be returned for any reason within 60 days of the receipt. All returned items for non-personal reasons will receive a full refund as long as the item is returned in its original product packaging and all accessories from its original shipment are included. All returned items will receive a full refund back to the original payment method. If you have any questions about quality issue, please message us by **aftersales365@outlook.com**. Even if your order is fulfilled by Amazon, you can still contact us through the order or email **aftersales365@outlook.com**. Once confirmed, we will arrange a best solution for you and make you satisfaction.