

# BISCAYNE

## 6431

**SIZE**  
64.31.24-25 (Includes Lumbar Support)

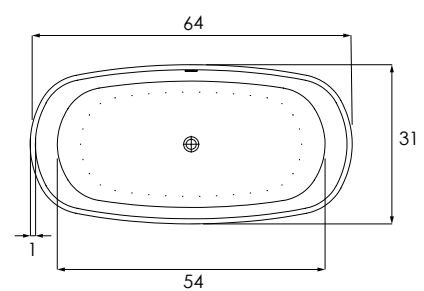
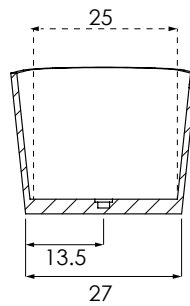
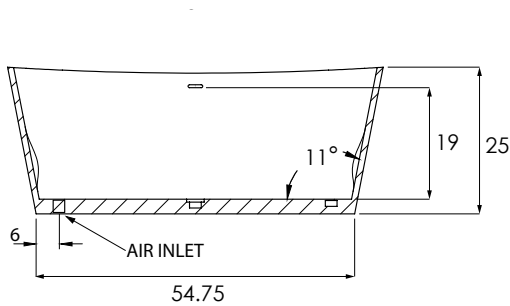
**WATER CAPACITY**  
109 Gallons

**WEIGHT**  
300 Pounds

**INSTALLATION**  
Freestanding

**BACK SLOPE**  
11°

**MATERIAL**  
HydroLuxe SS™



MODEL	DESCRIPTION
BIS7034HTO	Tub Only
BIS7034HTA	Thermal Air
HYDROLUXE SS™ COLORS	
Standard	Almond   White   Biscuit
Premium Colors	Black   Carmine Red   Concrete Grey Distant Blue   Grey Beige Moss Green   Orange Brown Pastel Violet Purple Violet   Red Orange   Sapphire Blue   Signal Orange   Stone Grey Tarpaulin Grey   Terra Brown
DUAL COLOR OPTION	DUAL.COL.XXX-XXX
Group 1 - White with any color added	
Group 2 - two different colors	
FINISH	
Matte Finish	METRO.MAT
Polished Finish	METRO.POL
Matte Gloss Combination	METRO.TWOTONE
SURFACES (OUTSIDE ONLY)	
	Metallic: Polished Nickel (PN)

MODEL	DESCRIPTION
COLD PLUNGE   See Website for Install Form	CLD.PL
HYDRO FUSION   See Website for Install Form	29.107
HYDRO INDULGE   See Website for Install Form	HYD.IND
HYDRO OZONE	
ISLAND TUB DRAIN	ITD.XXX ABS, PVC   ITD.ABS   ITD.PVC CAST IRON   ITD.CST
WASTE & OVERFLOW	Linear Integral W/O   LWO-XXX WHI, BIS, PC, PB, PN, BC, BB, BN, SC, SB, SN, ORB, PE, MB Gold Finish Upgrade (PG, BG)
EXPORT CRATE	FRT.EXPCRT



HYDRO SYSTEMS



**Headquarters**  
29132 Avenue Paine  
Valencia, CA 91355

**Manufacturing Facility**  
385 Highway 155 South  
McDonough, GA 30253

**Technical Support**  
[support@hydrosystem.com](mailto:support@hydrosystem.com)

**Orders Department**  
[orders@hydrosystem.com](mailto:orders@hydrosystem.com)

**General Information**  
[info@hydrosystem.com](mailto:info@hydrosystem.com)

**Phone:** 661-775-0686

**Website:** [hydrosystem.com](http://hydrosystem.com)

**CODES AND COMPLIANCES**

Massachusetts code File no: P1-0614-491



All specifications and options subject to change without notice please contact a hydro systems representative for more information.

# BISCAYNE

## 6431



**STANDARD COLORS**



WHITE BISCUIT ALMOND

**PREMIUM COLORS**



BLACK GREY BEIGE STONE GREY MOSS GREEN ORANGE BROWN PASTEL VIOLET PURPLE VIOLET RED ORANGE STONE GREY TARPALIN GREY TERRA BROWN CARMINE RED CONCRETE GREY DISTANT BLUE SIGNAL ORANGE SAPPHIRE BLUE

**CUSTOM COLOR**

Hydro Systems can match virtually any color including RAL and Pantone



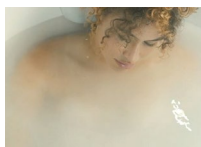
**WELLNESS OPTIONS**



**Cold Plunge**  
Revitalizing cold hydrotherapy into a traditional tub



**Thermal Air**  
Tiny bubbles into the bathwater and offers untold relaxing benefits, similar to Swedish massage



**Hydro Indulge**  
A concentrated dose of oxygen-rich molecules cleanse and restore skin



**Advanced UV system**  
Ozone and UV light helps to disinfect the water and keep it clean



**Hydro Fusion**  
Totally silent operation maintains ideal temperature without adding hot water constantly

**OTHER OPTIONS**

Additional options can be found on our website



**Integral Waste and Overflow**  
Seamless built-in protection for bathtub (included)



**Island Tub Drain**  
Asymmetrical 18 Gauge Epoxy coated Metal Deck Flange makes installation in tight spaces easier.



**Tower**  
Ideal solution adding systems or roman tub faucet to a freestanding bathtub.

**ELECTRICAL REQUIREMENTS**

All electrical information can be found on our website

**INSTALLATION VIDEOS**

All installation videos can be found on our website

**Installation Tips:**

- When adding Thermal Air, blower must be remotely located



**Headquarters**  
29132 Avenue Paine  
Valencia, CA 91355

**Manufacturing Facility**  
385 Highway 155 South  
McDonough, GA 30253

**Technical Support**  
[support@hydrossystem.com](mailto:support@hydrossystem.com)

**Orders Department**  
[orders@hydrossystem.com](mailto:orders@hydrossystem.com)

**General Information**  
[info@hydrossystem.com](mailto:info@hydrossystem.com)  
**Phone:** 661-775-0686  
**Website:** [hydrossystem.com](http://hydrossystem.com)

**CODES AND COMPLIANCES**

Massachusetts code File no: P1-0614-491



All specifications and options subject to change without notice please contact a hydro systems representative for more information.