


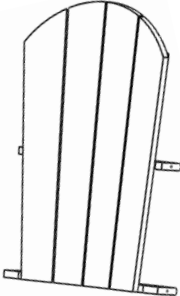
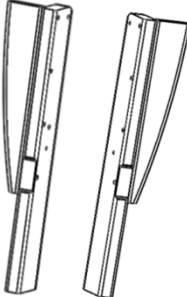
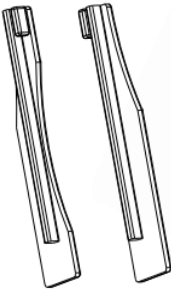
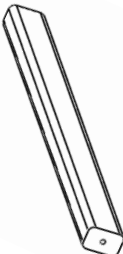
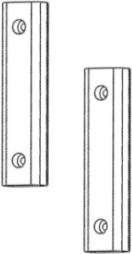

## PRE-ASSEMBLY PREPARATION:










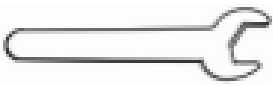
### THIS PACKAGE MAY CONTAIN SMALL ITEMS WHICH SHOULD BE KEPT AWAY FROM CHILDREN

- Please check that all parts and hardware are included before beginning assembly.
- Save all packing materials until assembly is completed to avoid accidentally discarding small parts
- Read through the preparation and assembly instructions in full before beginning assembly.
- Please use CAUTION AND CARE WHEN LIFTING the product to avoid personal injury and (or) damage to the product.
- For ease of assembly, 2 adults are recommended; Assembly time: Approximately 30 minutes.

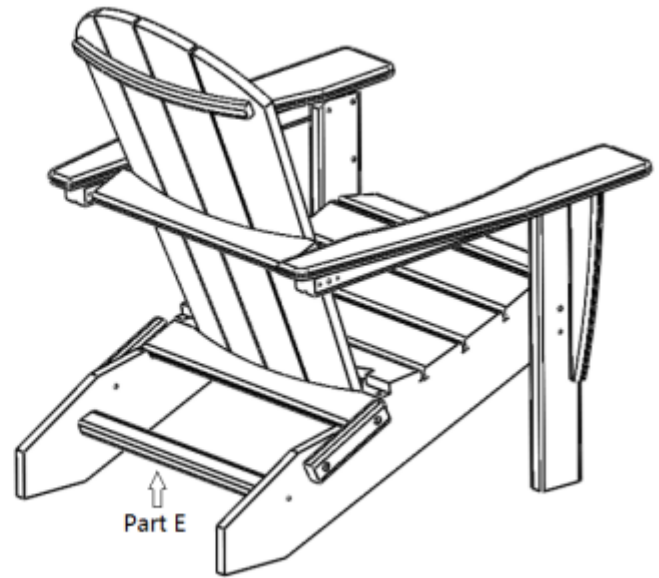
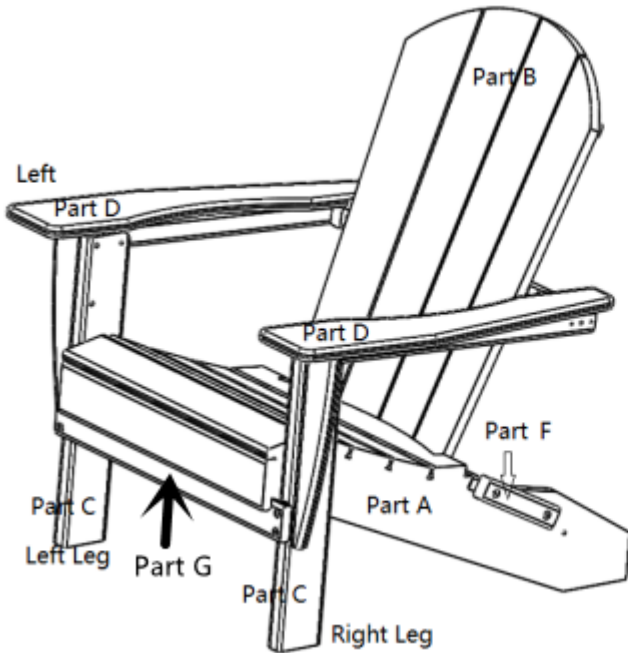
## PART LIST:

A. Seat-1pc	B. Back-1pc	C. Front legs-2Pcs	D.Arms-2Pcs	E. Back seat beam-1Pc	F. Folding Brackets-2Pcs	G. Front Seat Beam-1Pc
						

## HARDWARE LIST:

H.Screw 2"- 8Pcs	I.Screw 3.2"- 2Pcs	J.Bolts 2.6"-4Pcs	K. Bolts 2"- 2Pcs
			
L.Lock nut- 6Pcs	M. Washer – 6Pcs	N. Allen wrench 1Pc	O.Wrench 1Pc
			

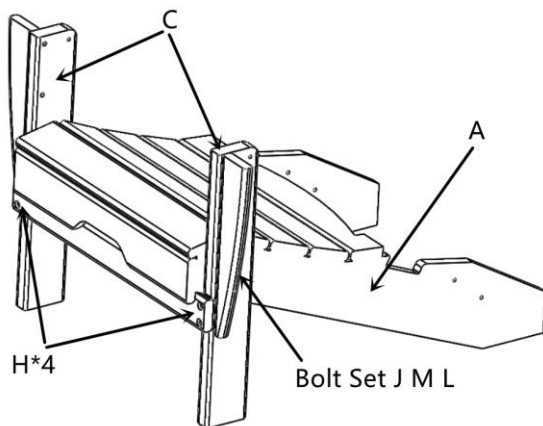
## STRUCTURE DIAGRAM:



## STEP-BY-STEP ASSEMBLY:

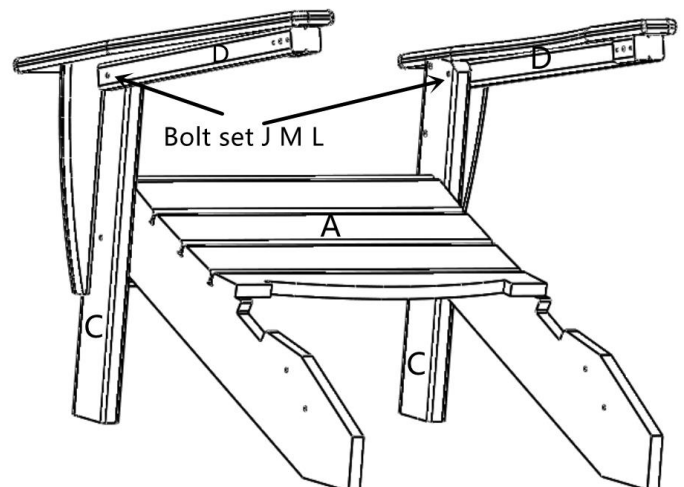
**STEP 1:** First attach the Front Legs (C) to the Seat (A) using 2.6" Bolts (J). Secure with Washer (M) and Nut (L). Then attach the Front Seat Beam (G) to the Front Legs (C) using 4x2" Screw (H).

**Important: Do not over tighten the bolts**



**STEP 2:** Attach the Right and Left Armrests (D) to the Front Legs (C) using 2.6" Bolts (J). Secure with Washer (M) and Nut (L).

**Important: Do not over tighten the bolts**



**STEP 3: First**, attach the Back Panel (B) to end of Armrests ( D) using 3.2" Screws (I).

**Then**, attach one side of the Folding Brackets (F) to end of Back ( B) using 2" Screws (H).

**Next**, attach the other end Folding Brackets (F) to the back legs of the Seat (A) using 2" Bolt (K). Secure with Washer (M) and Nut (L).

**Important: Do not over tighten the bolts**

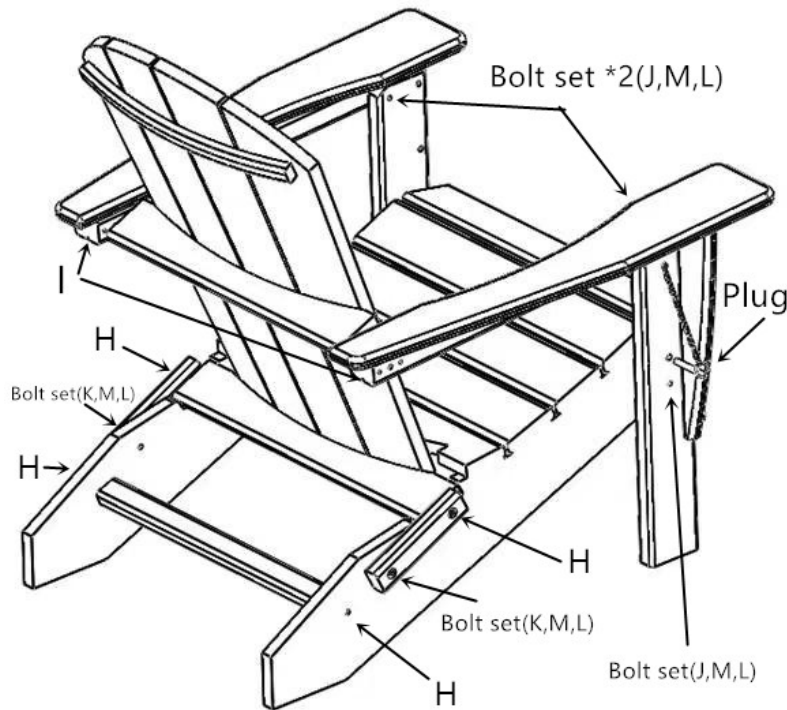
**STEP 4:** Attach Back seat beam(E) to rear leg using Screw 2"(H) as per diagram.

**STEP 5: \*\* ATTENTION\*\* LOCK the Chair BEFORE sit on it.**

LOCK the Chair by inserting the Metal Plug (pre-attached to the right leg) through the pre-drilled hole in the right leg(C) to the seat (A) to lock the chair in place for safe seating.

**TIPs:** Please pull out the Metal PLUG when you want to fold up the chair.

**Important: Do not over tighten the bolts**



## Furniture care

Routine cleaning of the furniture can be completed with only warm water and soap, while bleach may be mixed with the water (25% Bleach, 75% Water) for extra cleaning power. A stiff bristle brush can help to remove any particles from between the simulated wood grain.