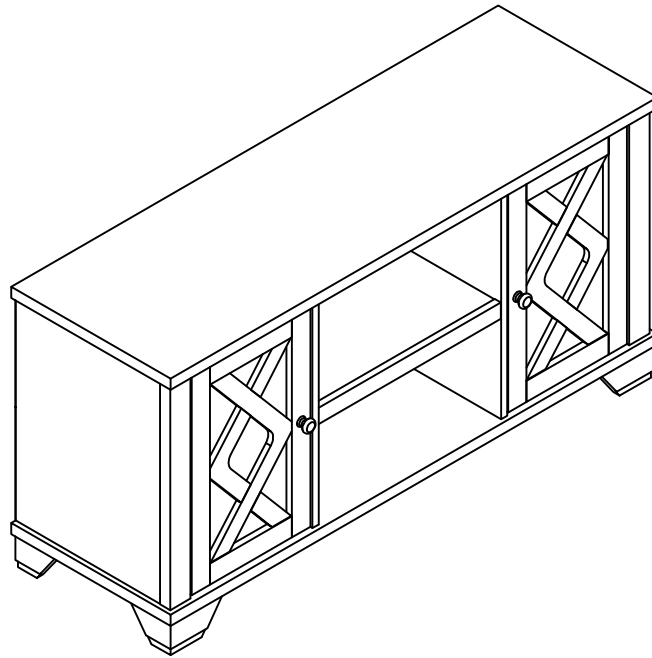


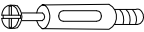


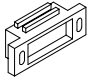
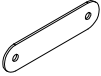



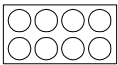




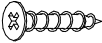
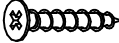
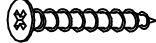

TV Stand



ASSEMBLY INSTRUCTIONS

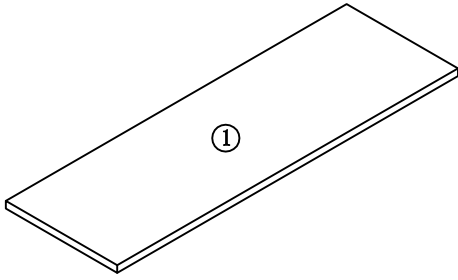
We have designed our furniture with you , the customer in mind . Our clear , easy to follow , step by step instructions will guide you through the project from start to finish . Feel confident that this will be a fun and rewarding project . The final product will be a quality piece of furniture that will go together smoothly and give years of enjoyment .

Hardware List

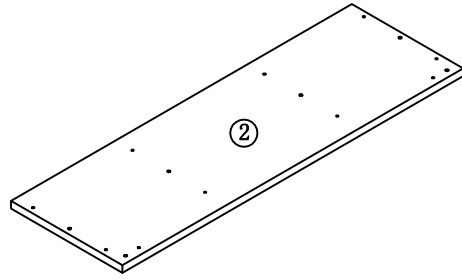
<p>A</p>  <p>L29</p>	<p>B</p>  <p>Ø15</p>	<p>C</p>  <p>Ø8x25</p>	<p>D</p> 
<p>Cambolt(18pcs)</p>	<p>Camlock(18pcs)</p>	<p>Dowel(19pcs)</p>	<p>Door Catch(2pcs)</p>
<p>E</p> 	<p>F</p> 	<p>G</p>  <p>Ø5</p>	<p>H</p> 
<p>Metal Piece(2pcs)</p>	<p>Door Pin (2pcs)</p>	<p>Shelf Pin (8pcs)</p>	<p>Nail (38pcs)</p>
<p>I</p>  <p>Ø22</p>	<p>J</p>  <p>Ø16</p>	<p>K</p> 	<p>L</p>  <p>M4x22</p>
<p>Sticker (18pcs)</p>	<p>Foot Pin (8pcs)</p>	<p>Knob (2pcs)</p>	<p>Knob Screw (2pcs)</p>
<p>M</p>  <p>Ø3x14</p>	<p>N</p>  <p>Ø3x16</p>	<p>O</p>  <p>Ø4x30</p>	<p>P</p>  <p>Ø4x45</p>
<p>Extra Small Screw (4pcs)</p>	<p>Small Screw (4pcs)</p>	<p>Large Screw (12pcs)</p>	<p>Extra Large Screw (8pcs)</p>
<p>Q</p>  <p>Glue(1pc)</p>			
<p>Glue: For securing please apply to wood dowel first before inserting into panel</p>			

*Please count and verify all parts before assembly. *

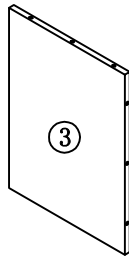
Panel List



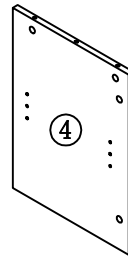
Top Panel(1pc)



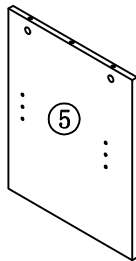
Bottom Panel(1pc)



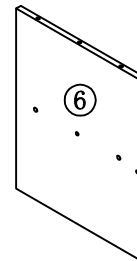
Left Side Panel(1pc)



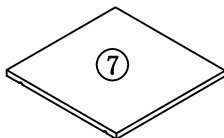
Right Side Panel(1pc)



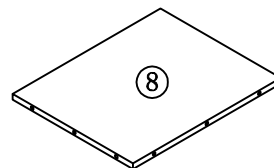
Left Divider Panel(1pc)



Right Divider Panel(1pc)



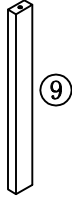
Adjustable Shelf(2pcs)



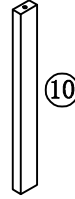
Middle Shelf(1pc)

Please count and verify all parts before assembly.

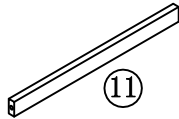
Panel List



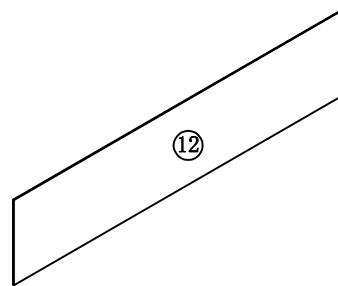
Left Decorating Line(1pc)



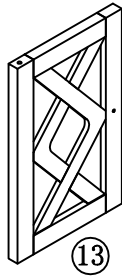
Right Decorating Line(1pc)



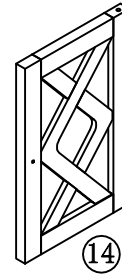
Middle Decorating Line(1pc)



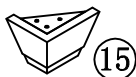
Back Panel(2pcs)



Left Door(1pc)



Right Door(1pc)



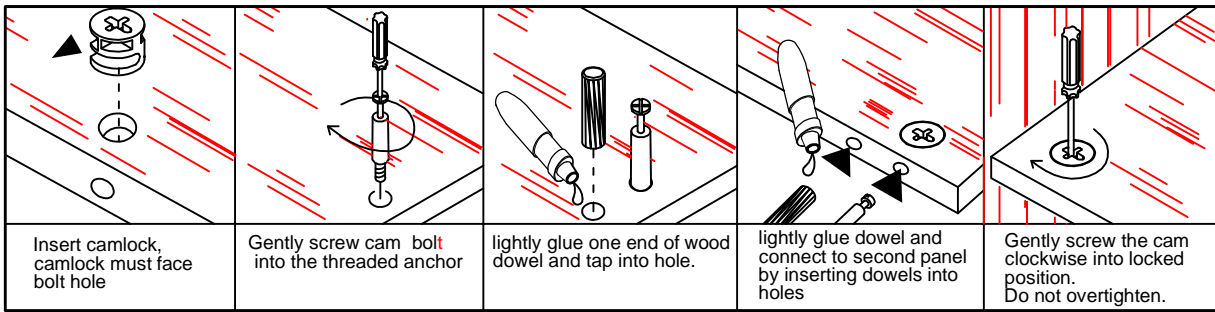
Front Left Leg/Rear Right Leg(2pcs)



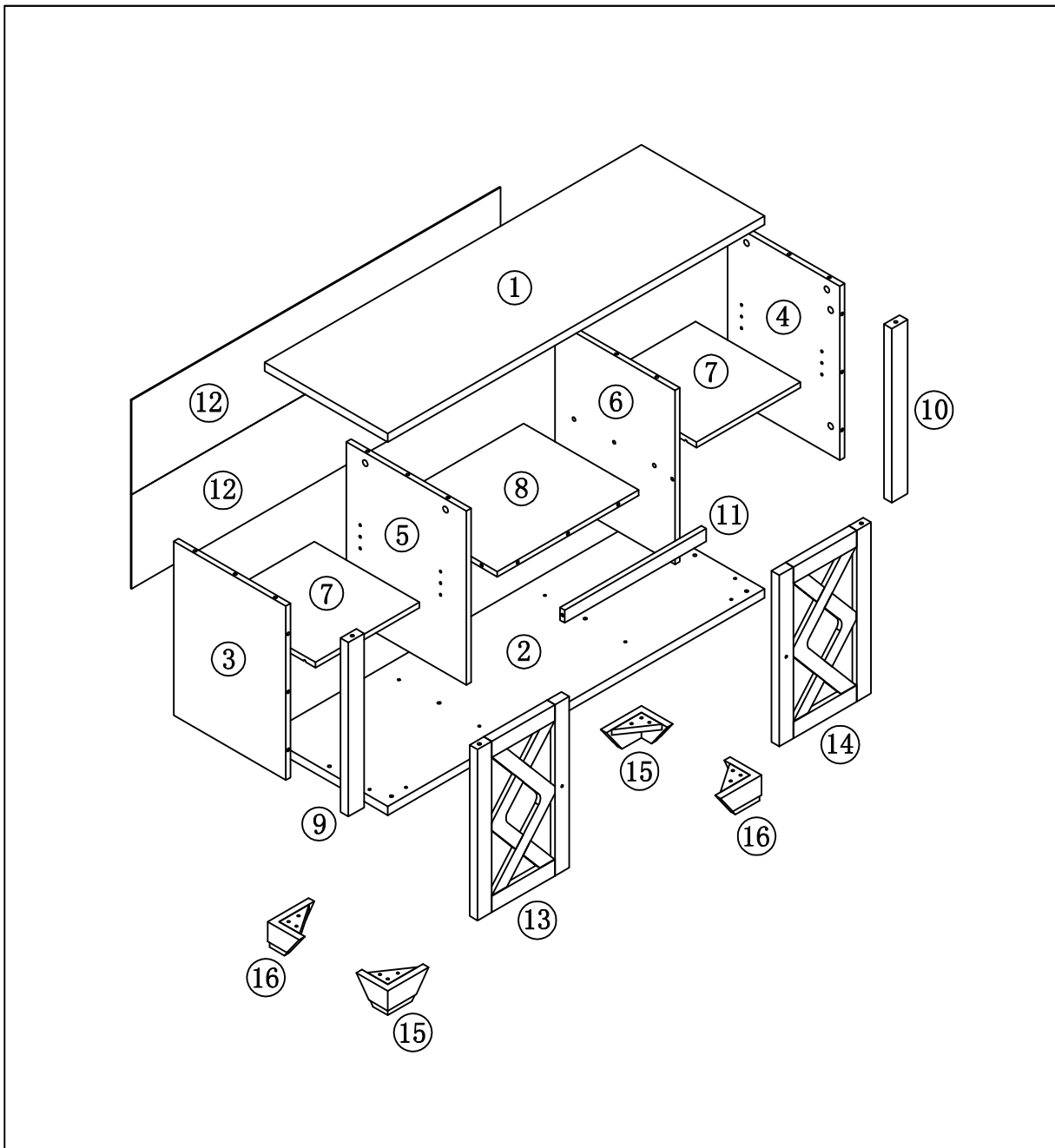
Front Right leg/Rear Left Leg(2pcs)

Please count and verify all parts before assembly.

Assembling the unit with camlocks and wood dowels.



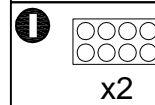
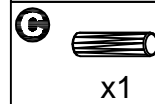
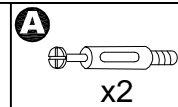
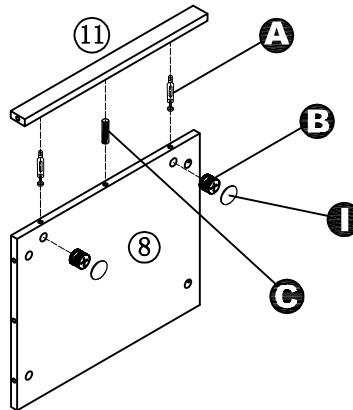
Exploded Views



Step 1

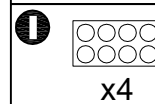
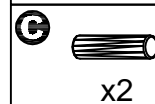
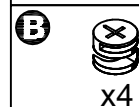
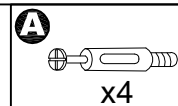
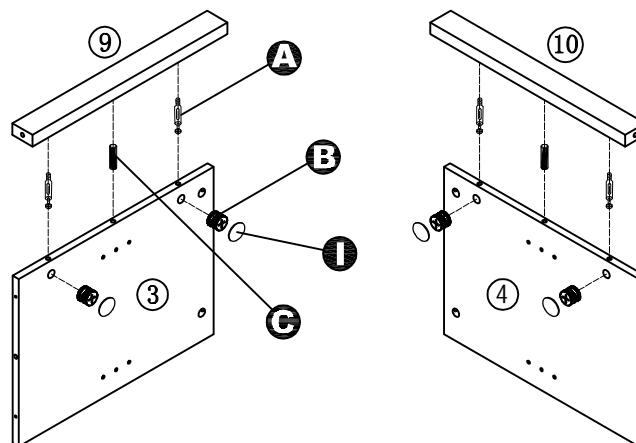
Note: * Place item on a smooth/soft surface such as a towel or carpet.

1. Screw cambolts(A) into middle decorating line(11), insert dowel(C) into middle decorating line(11).
2. Attach middle decorating line(11) assembly to middle shelf(8) using camlocks(B) and gently tighten.
3. Place stickers(I) over holes.



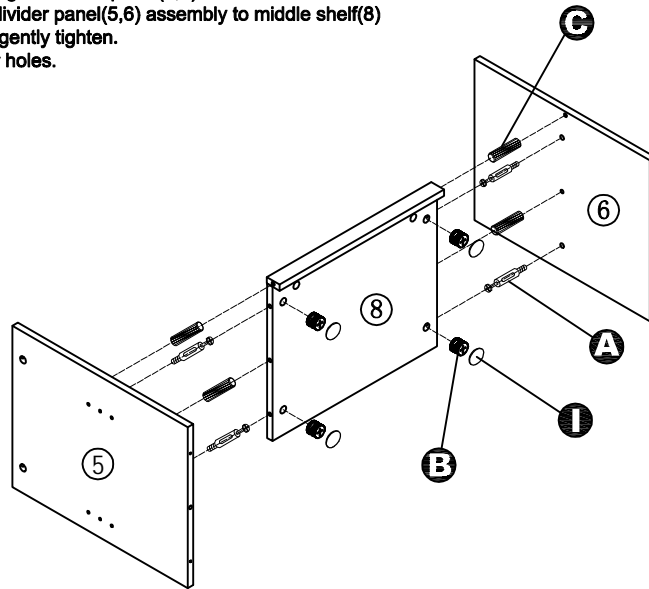
Step 2




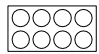
1. Screw cambolts(A) into left decorating line(9), insert dowel(C) into left decorating line(9).
2. Attach left decorating line(9) assembly to left side panel(3) using camlocks(B) and gently tighten.
3. Place stickers(I) over holes.
4. Screw cambolts(A) into right decorating line(10), insert dowel(C) into right decorating line(10).
5. Attach right decorating line(10) assembly to right side panel(4) using camlocks(B) and gently tighten.
6. Place stickers(I) over holes.



Step 3

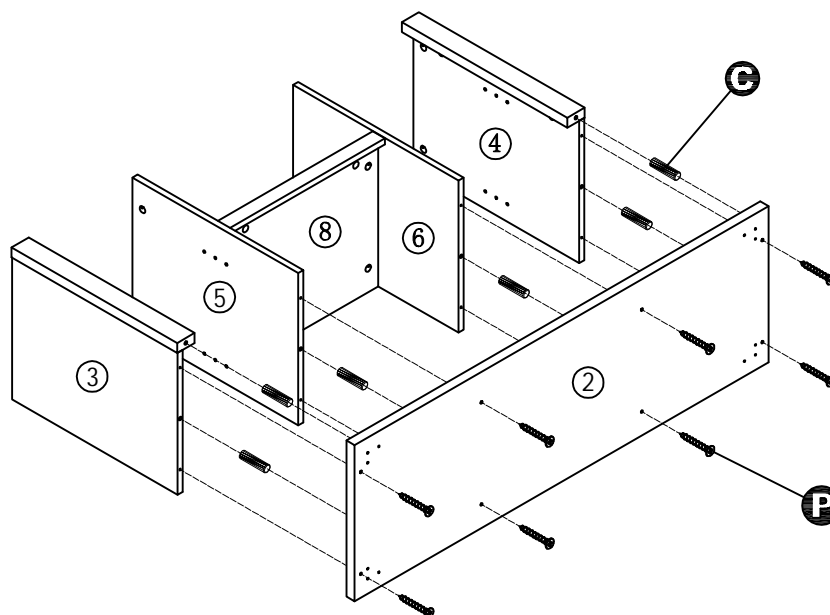
1. Screw cambolts(A) into left and right divider panel(5,6) insert dowels(C) into left and right divider panel(5,6).
2. Attach left and right divider panel(5,6) assembly to middle shelf(8) using camlocks(B) and gently tighten.
3. Place stickers(I) over holes.


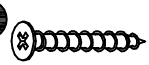


A		x4
B		x4
C		x4
I		x4

Step 4

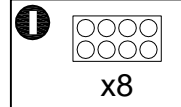
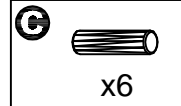
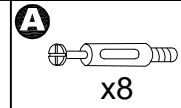
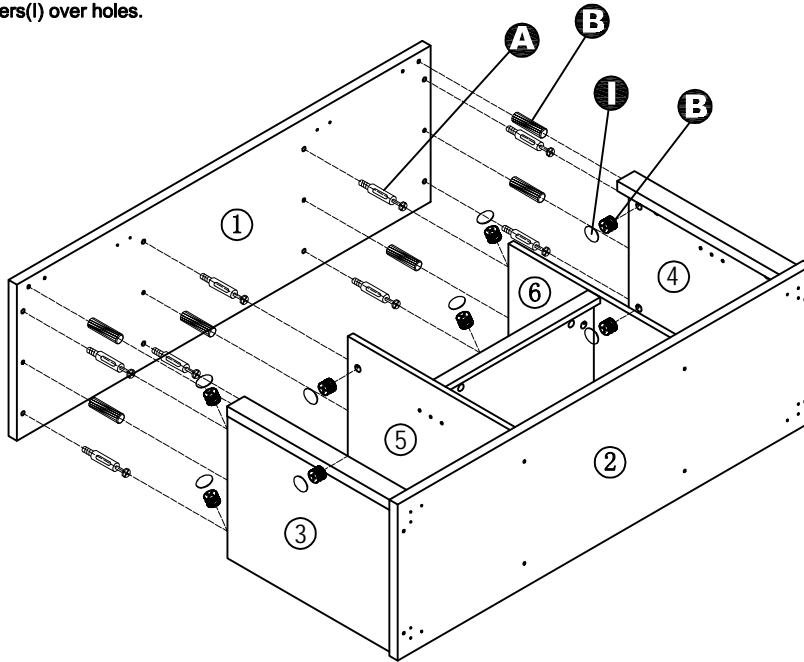
1. Insert dowels(C) into left side panel(3), left divider panel(5), right divider panel(6), right side panel(4).
2. Attach left side panel(3), left divider panel(5), right divider panel(6), right side panel(4) assembly to bottom panel(2) using extra large screws(P) and gently tighten.



C		x6
P		x8

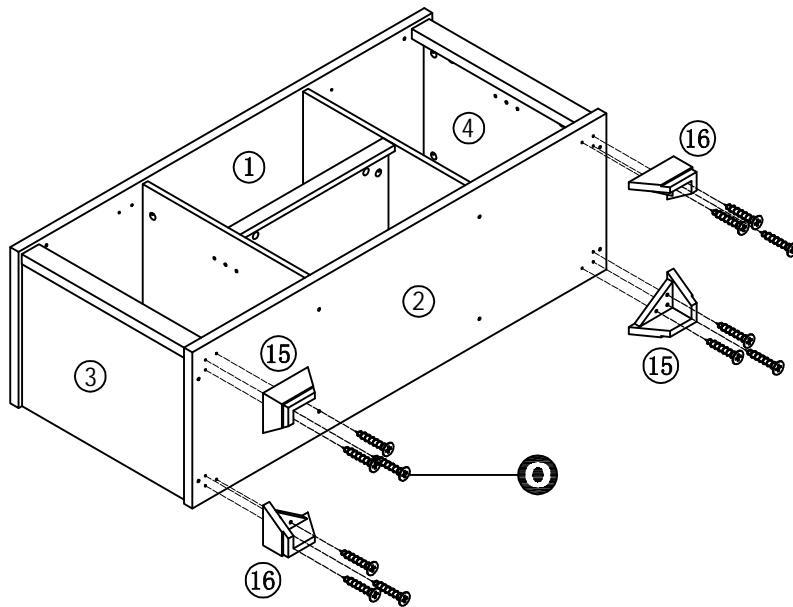
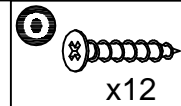
Step 5

1. Screw cambolts(A) into top panel(1), insert dowels(C) into top panel(1).
2. Attach top panel(1) assembly to TV stand body using camlocks(B) and gently tighten.
3. Place stickers(I) over holes.



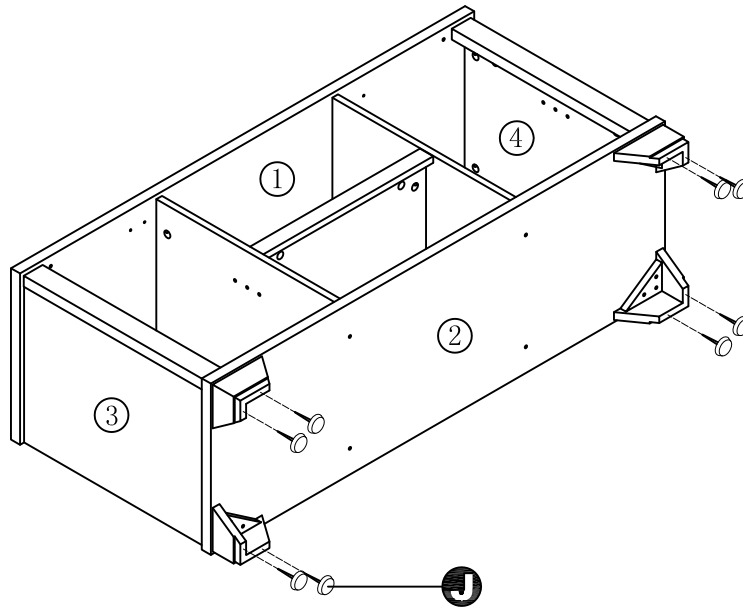
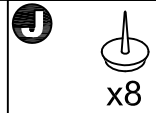
Step 6

1. Attach legs(15,16) assembly to bottom panel(2) using large screws(O) and gently tighten.



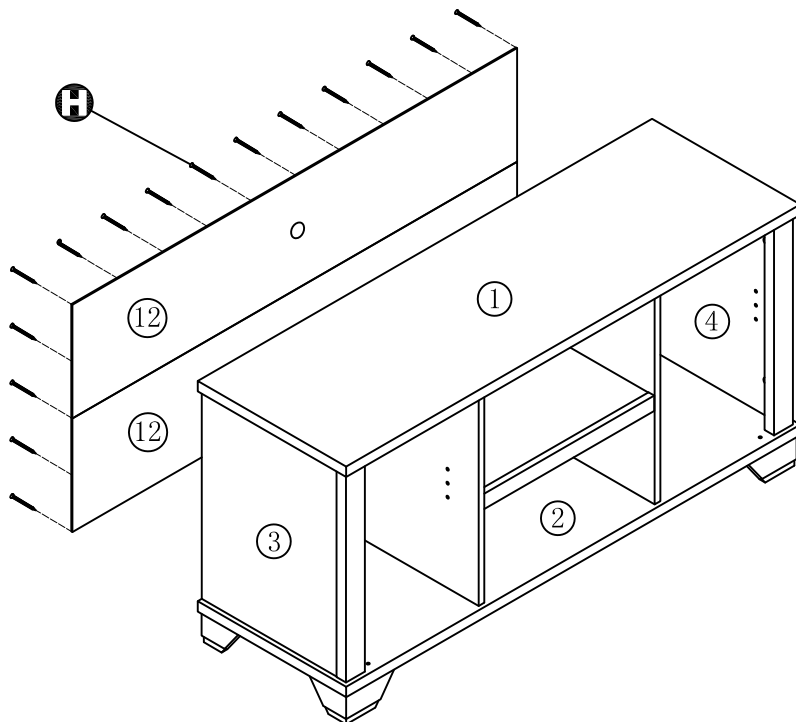
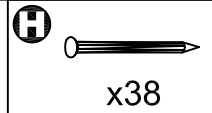
Step 7

1. Knock foot pins(J) onto legs(15,16) as shown.



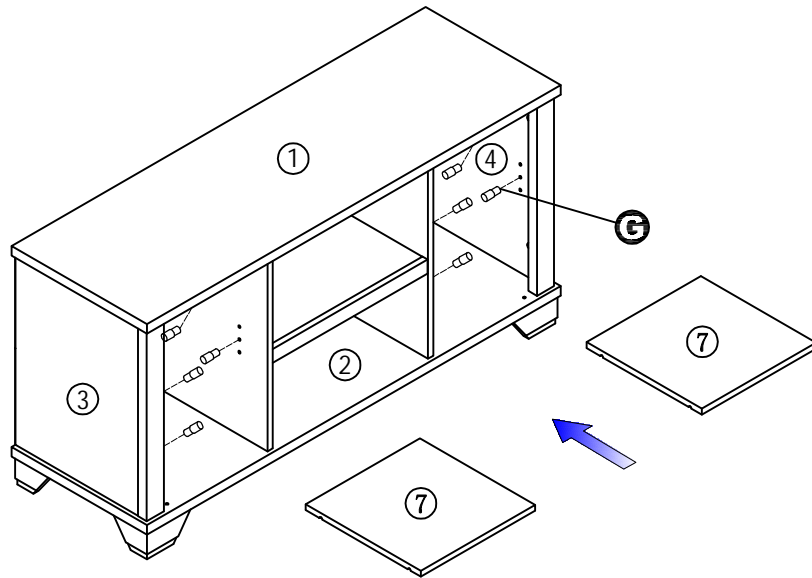
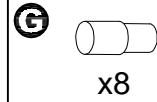
Step 8

1. Attach back panels(12) assembly to TV stand back using nails(H).



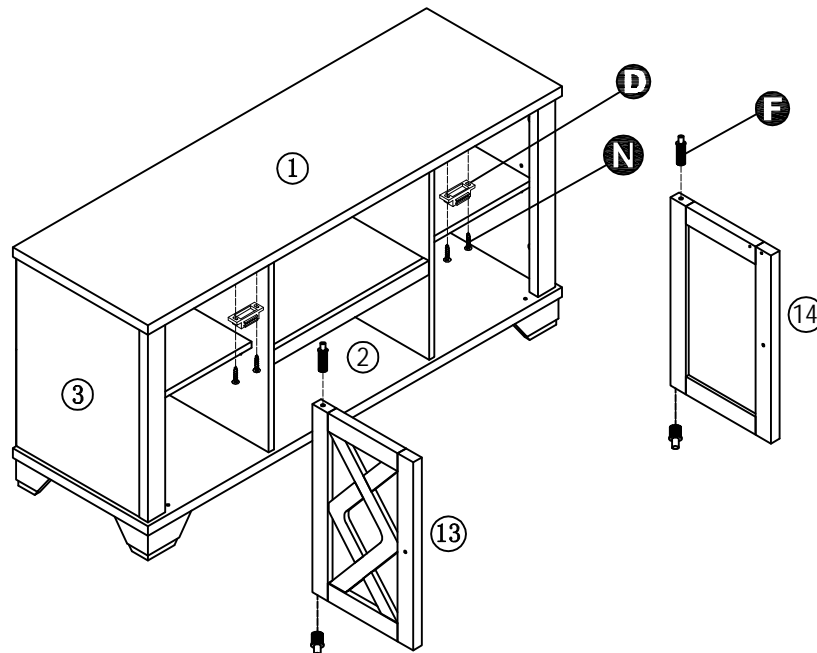
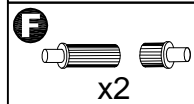
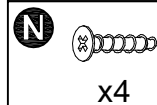
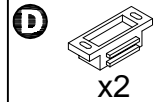
Step9

1. Insert shelf pins(G) into pre-drilled holes as shown, put adjustable shelves(7) in place.



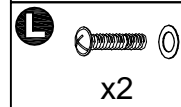
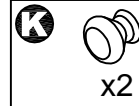
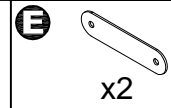
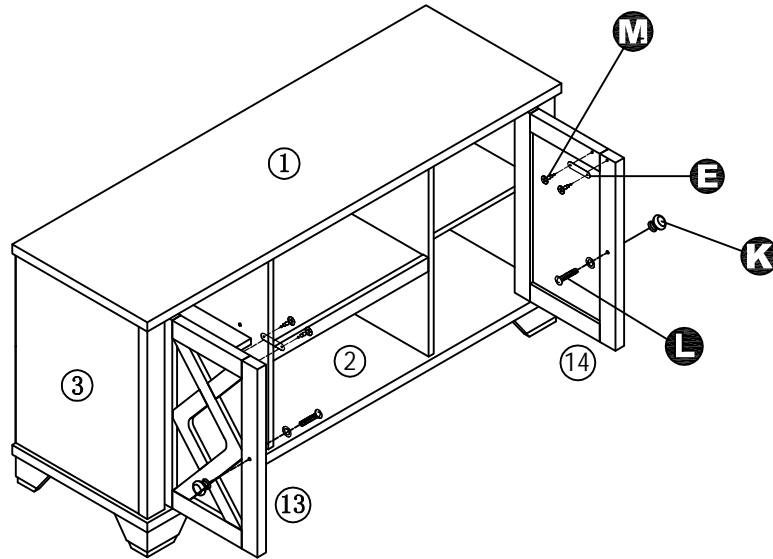
Step10

1. Attach door catches(D) assembly to top panel(1) using small screws(N).
2. Insert door pins(F) into doors(13,14) and assembly to TV stand body.



Step11

1. Attach metal piece(E) assembly to doors(13,14) using extra small screws(M).
2. Attach knobs(K) assembly to doors(13,14) using knob screws(L).



Step12

Enjoy Your Gateway TV Stand!

