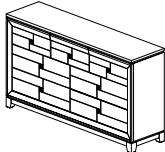
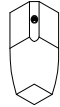







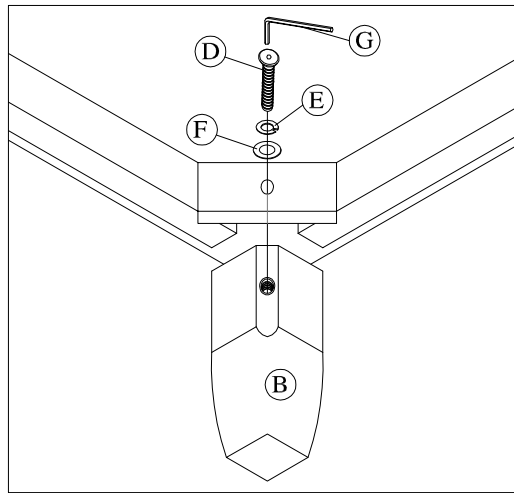
# Elements

## ASSEMBLY INSTRUCTION

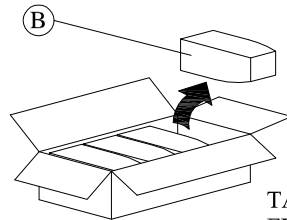
GROUP NO : DRESSER  
ITEM NO : LN600DR

Description : Dresser

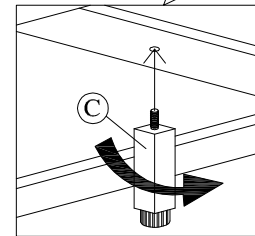
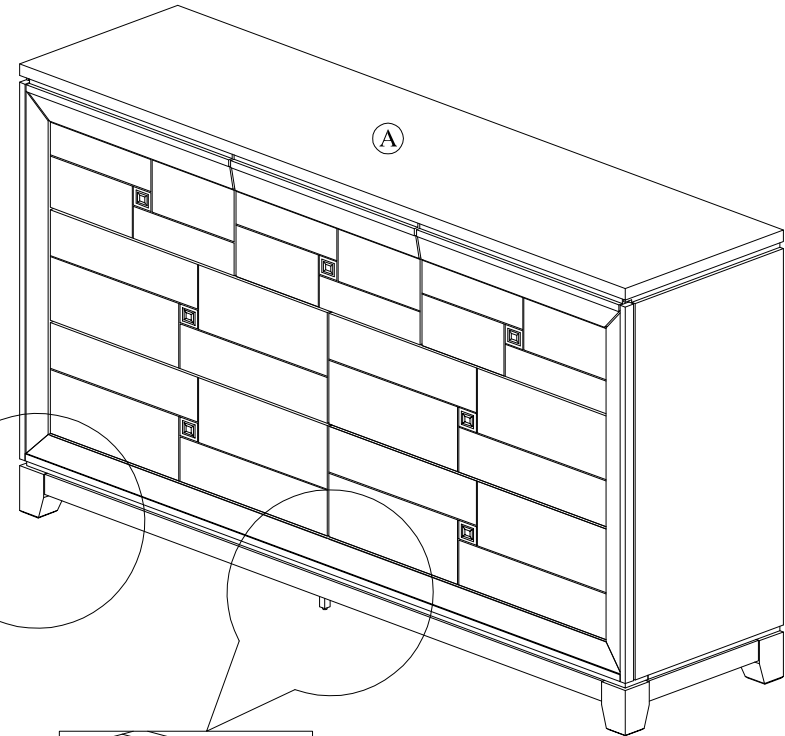
PART LIST# :		
NO.	DESCRIPTION	QTY.
A	 DRESSER	1 Pc
B	 BUN FOOT	4 Pcs
C	 CENTER LEG	1 Pc
HARDWARE LIST# :		
NO.	DESCRIPTION	QTY.
D	JCBC SCREW M6 x 45mm 	4 Pcs
E	SPRING WASHER 	4 Pcs
F	FLAT WASHER 	4 Pcs
G	ALLEN KEY 	1 Pc



INSERT AND SECURE THE BUN FOOT AS SHOWN IN DIAGRAM.



TAKE OUT THE BUN FOOT FROM THE CARTON BOX THAT CAN BE FOUND AT THE DRAWER BOX OF CASEGOOD.



SECURE THE CENTER LEG AS SHOWN IN THE DIAGRAM. THE CENTER LEG CAN BE ADJUST TO LEVEL WITH THE FLOOR.