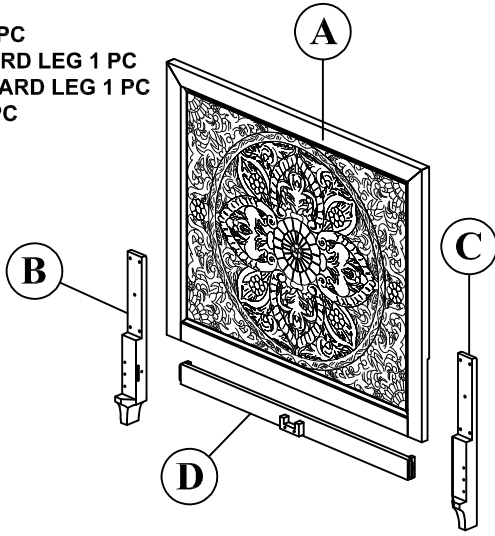


ASSEMBLY INSTRUCTIONS

PARTS PACKING CONFIGURATIONS

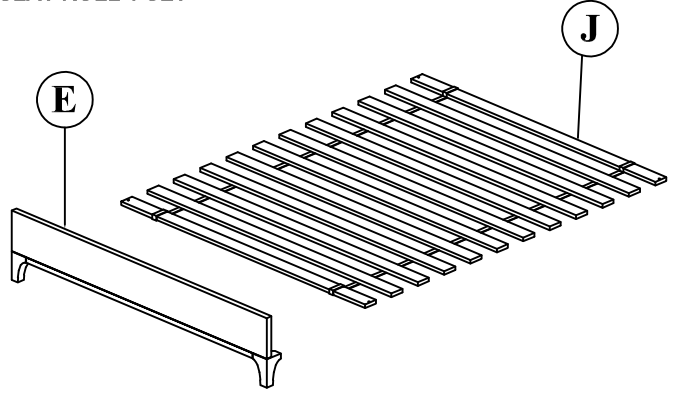
BOX #1:

- A. HEADBOARD 1 PC
- B. LEFT HEADBOARD LEG 1 PC
- C. RIGHT HEADBOARD LEG 1 PC
- D. STRETCHER 1 PC



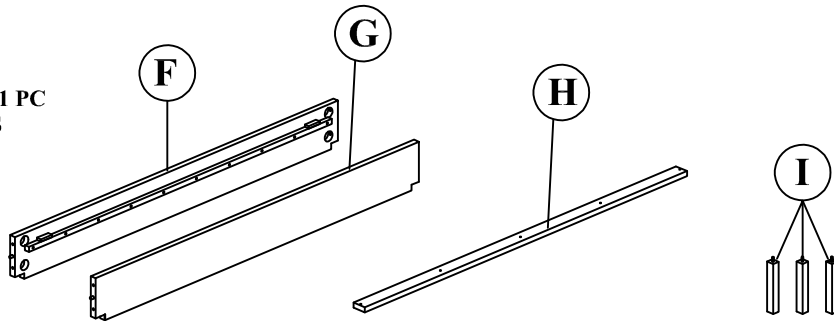
BOX #2:

- E. FOOTBOARD 1 PC
- J. SLAT ROLL 1 SET



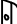





BOX #3:

- F. LEFT SIDE RAIL 1 PC
- G. RIGHT SIDE RAIL 1 PC
- H. CENTER SLAT SUPPORT 1 PC
- I. SLAT SUPPORT LEG 3 PCS



HARDWARE PACKED IN BOX #2

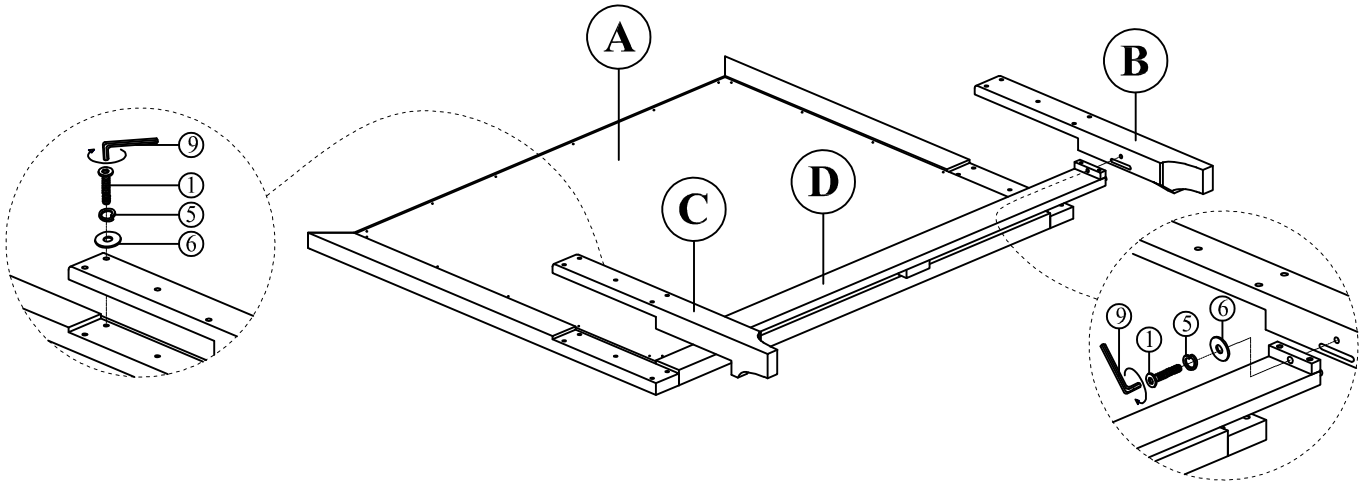
No	Description	Photo	Quantity
1	ALLEN BOLT (M8X40)		12 PCS
2	THREADED BOLT (M8X80)		8 PCS
3	HEX NUT (M8)		8 PCS
4	HALF MOON WASHER		8 PCS
5	SPRING WASHER (M9)		12 PCS
6	FLAT WASHER (M9)		12 PCS
7	WOOD SCREW (M4X30)		6 PCS
8	SPANNER		1 PC
9	ALLEN KEY		1 PC



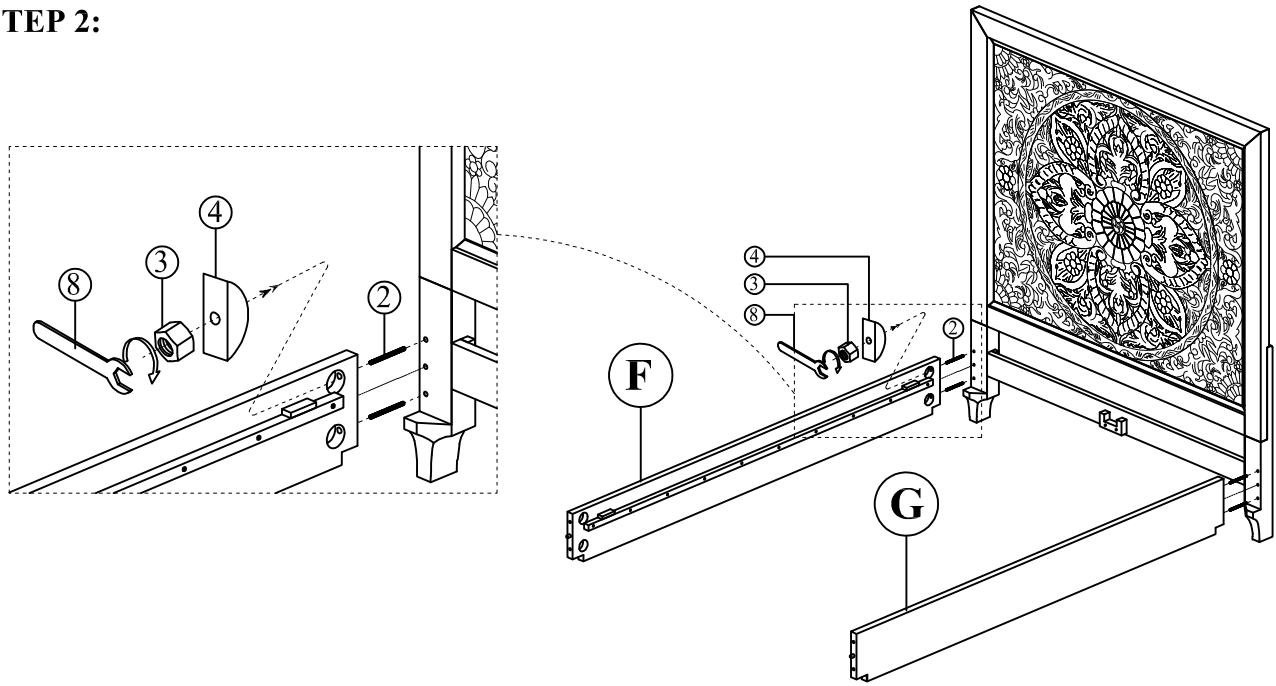
TOOL REQUIRED
PHILLIPS-HEAD SCREWDRIVER (NOT PROVIDED)



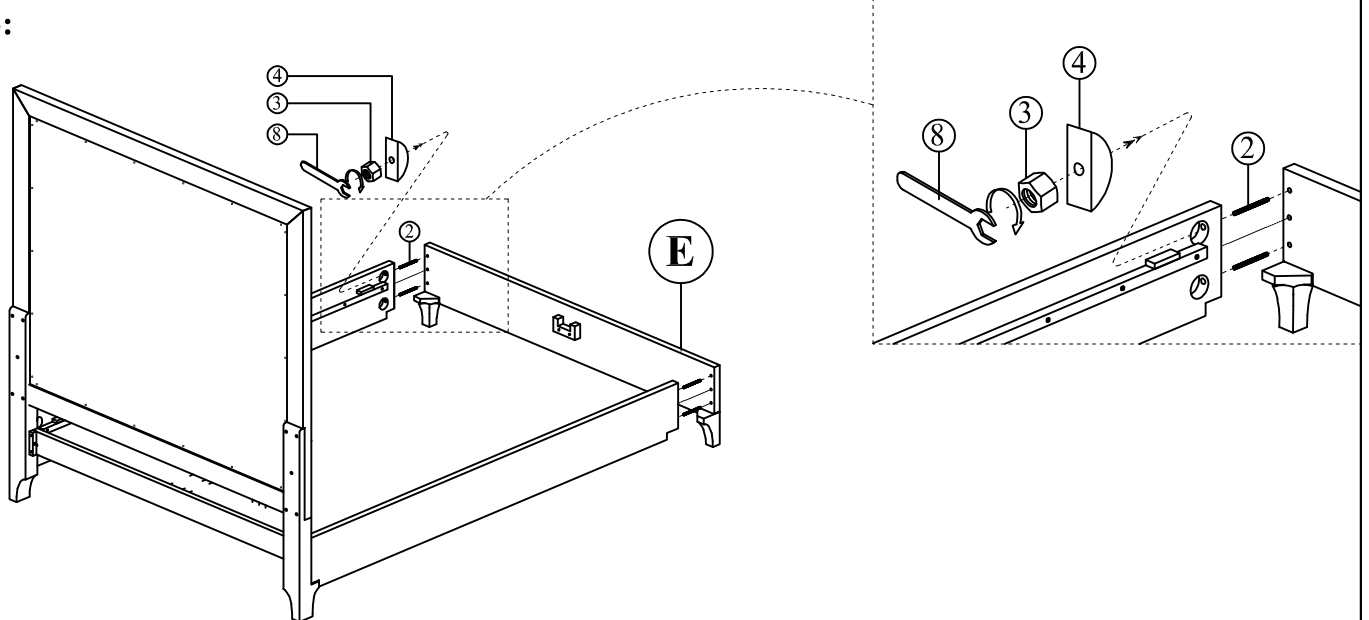
STEP 1:



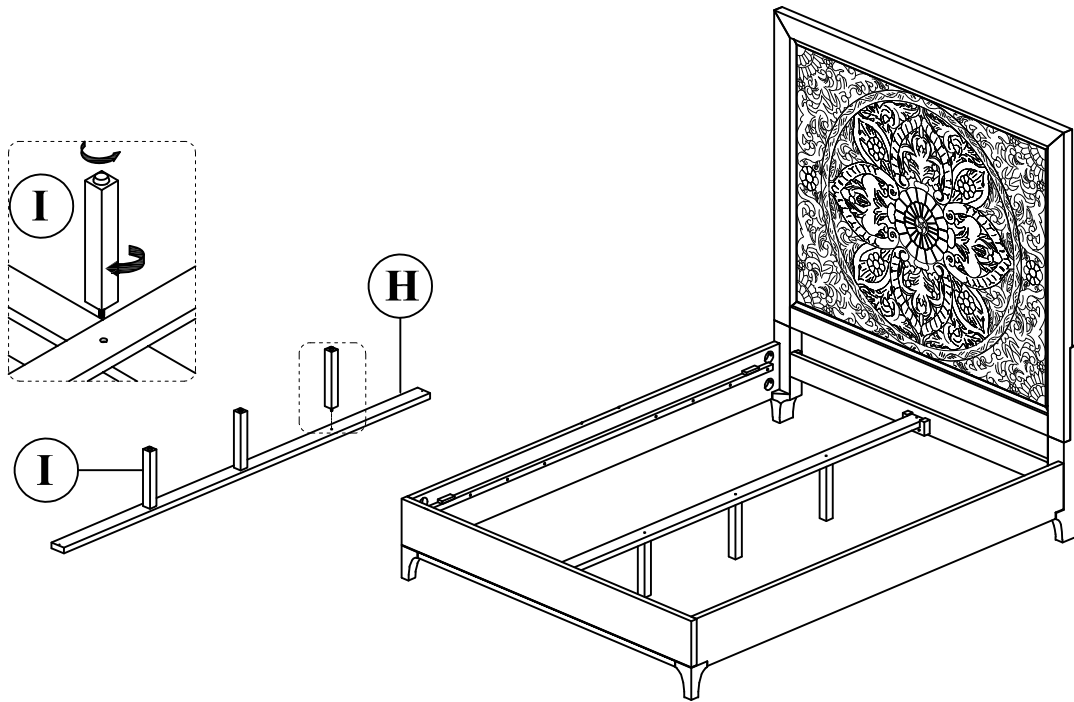
STEP 2:



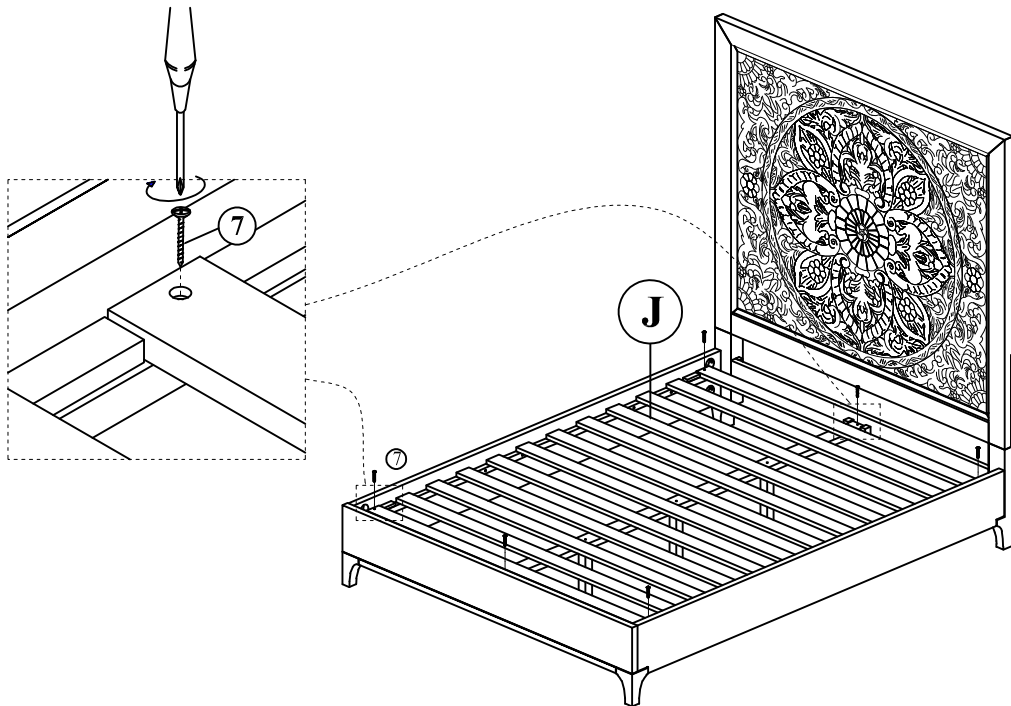
STEP 3:



STEP 4:



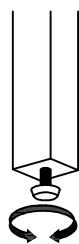
STEP 5:



INSTRUCTIONS FOR ADJUSTING LEVELER

POSITION THE BED IN YOUR SPACE AND LOCATE THE LEVELER UNDER EACH SUPPORT LEG. TURN THE LEVELER COUNTER-CLOCKWISE TO EXTEND THE LEVELER AND CLOCKWISE TO RETRACT IT.

ADJUST EACH LEVELER UNTIL EACH SUPPORT LEG IS APPLY EQUAL, UPWARD PRESSURE ON THE SUPPORT SLAT.



MAINTENANCE INSTRUCTIONS:

REMOVE YOUR MATTRESS, AND BOX SPRING IF APPLICABLE, BEFORE MOVING YOUR BED.

LIFT YOUR BED WHEN MOVING IT; DRAGGING CAN DAMAGE THE SUPPORTS.

RE-ADJUST THE LEVELERS AFTER MOVING YOUR BED.