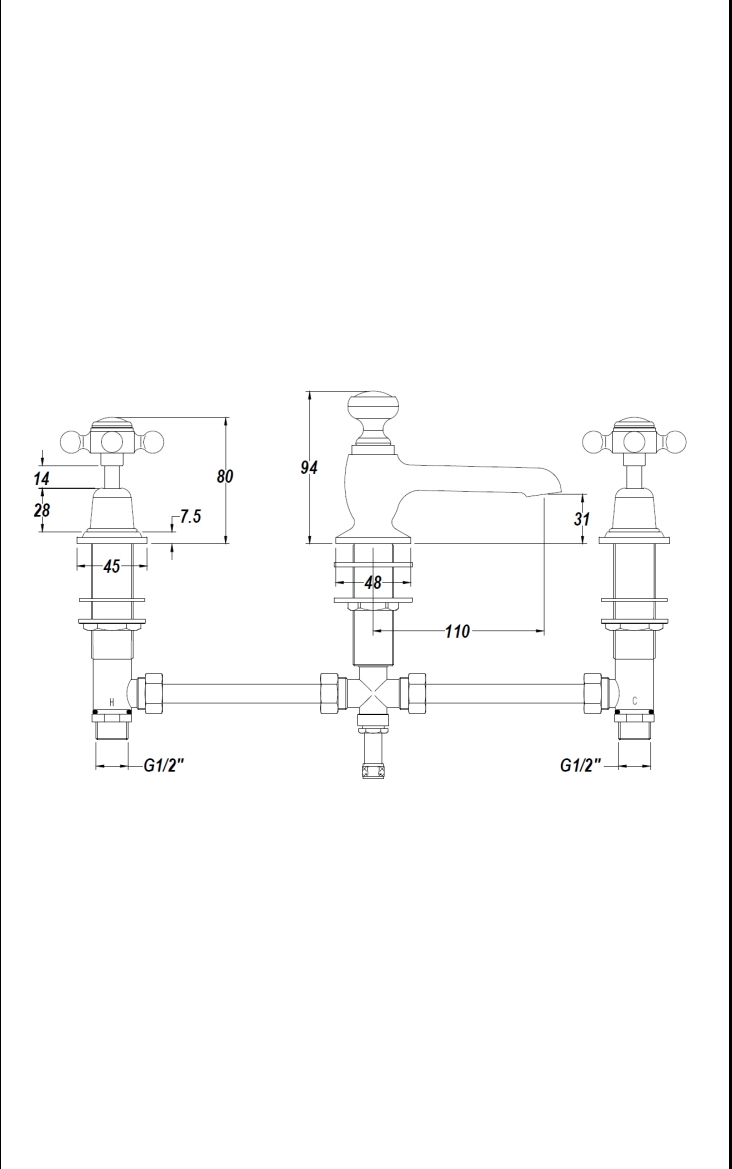


# CUSTOMER DATA SHEET - BRASSWARE

**DESCRIPTION:** Blk 3 T/H Basin Mixer W/ Popup Wst



PRODUCT DIMENSIONS				
Height (mm)	Width (mm)	Depth (mm)	Length (mm)	Nett Wgt Kg
94	246	140		2.95

PACKAGING DIMENSIONS			
Height (mm)	Width (mm)	Depth (mm)	Gross Wgt Kg
75	150	430	2.95

PACKAGING DATA			
Box Colour	White Cardboard Box		
Box Qty	1	Label Colour	White Label
Label Size	100 x 50	Label Qty	1

OUTER BOX DIMENSIONS (If Applicable)				
Height (mm)	Width (mm)	Depth (mm)	Length (mm)	Gross Wgt Kg
370	350	405		

PRODUCT DETAILS			
Country of Origin	United Kingdom		
Fitting Instruction	Yes		
Product Material	Brass		
Control Type	Manual		
Waste Included	Waste Included		
WRAS Approval	No	Approval No.	N/A
Operating Pressure (bar)	0.1		
Valve/Cartridge Type	1/4 Turn Ceramic Disc		

Colour/Finish	Chrome									
Mount Type	Deck									
Waste Type	Pop-Up									
Flow Rates (Litres Per Min)	0.1 bar	5.6	0.5 bar	14	1 bar	20.2	2 bar	29	3 bar	35.4
Pipe Size	15 mm (1/2" Bsp)									
Pipe Centres	N/A									