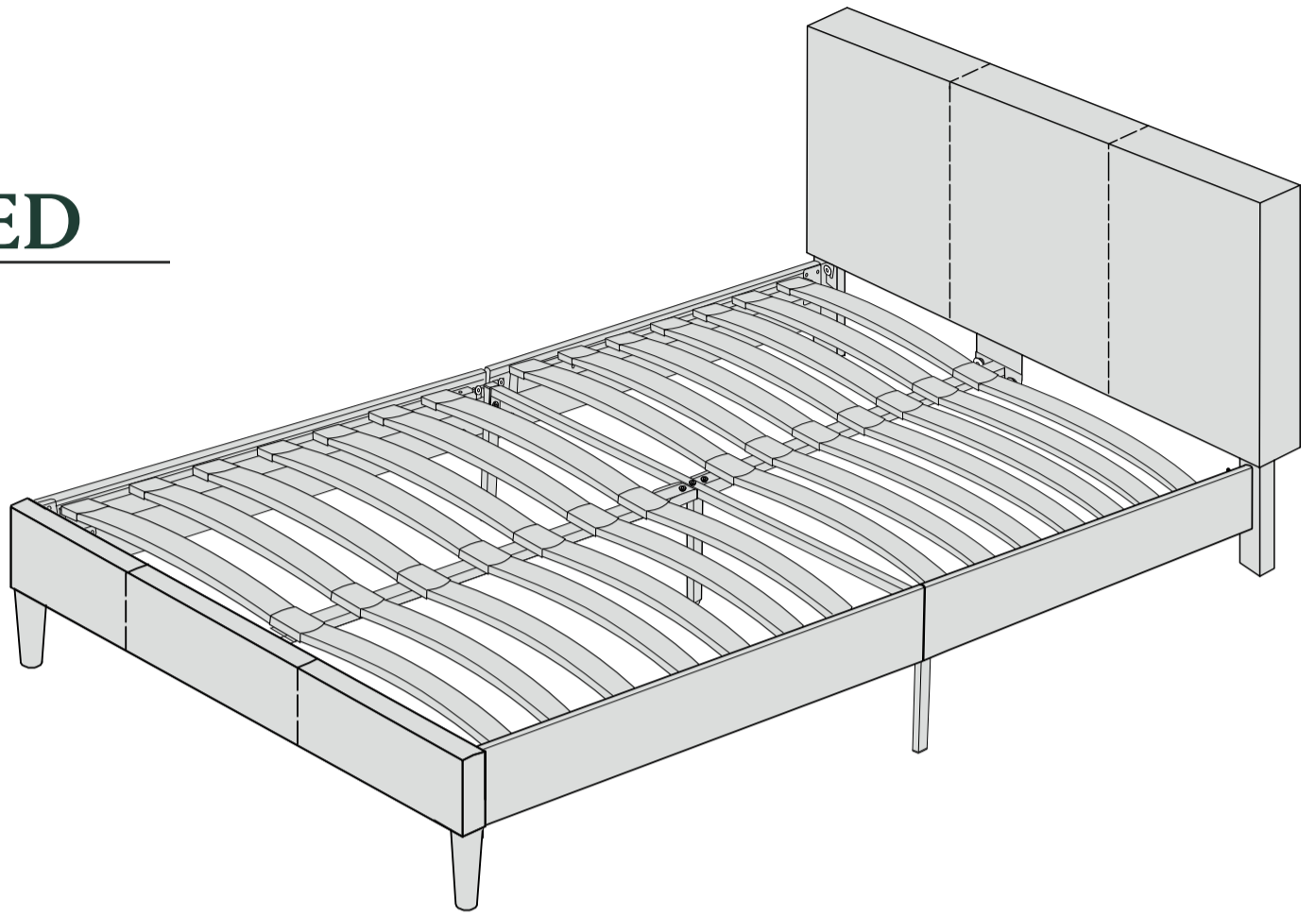
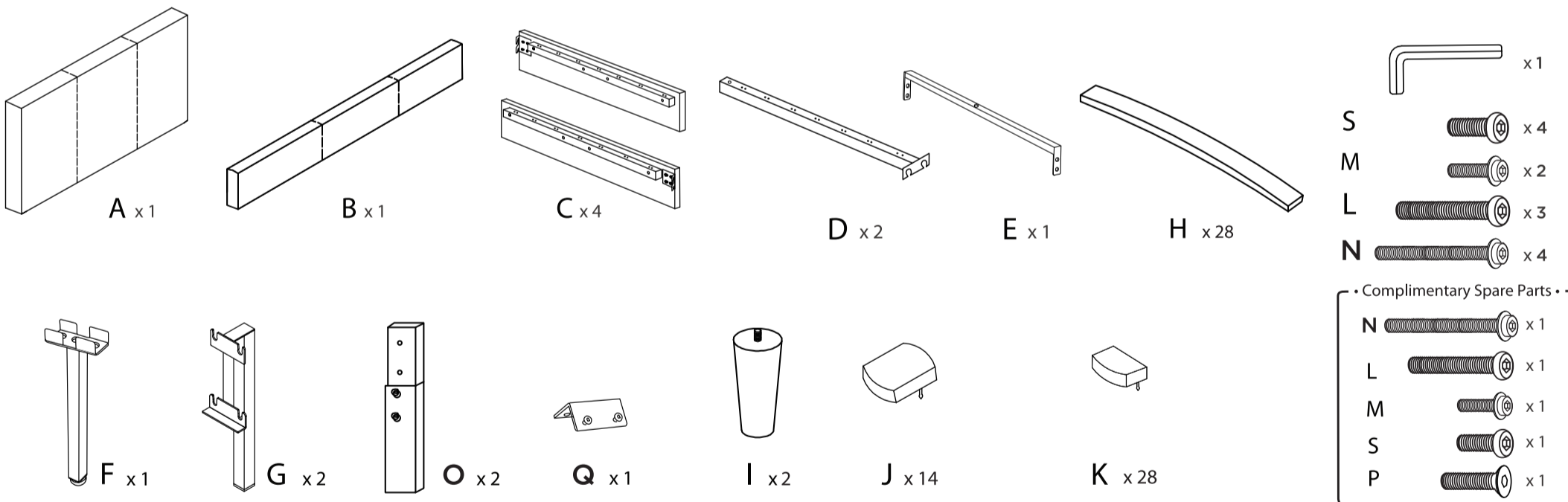


# PLATFORM BED

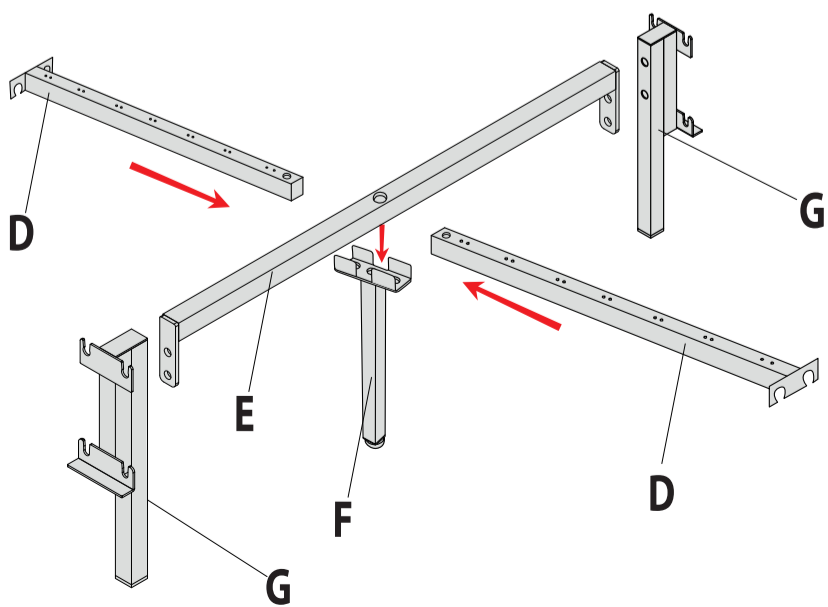
## INSTRUCTIONS



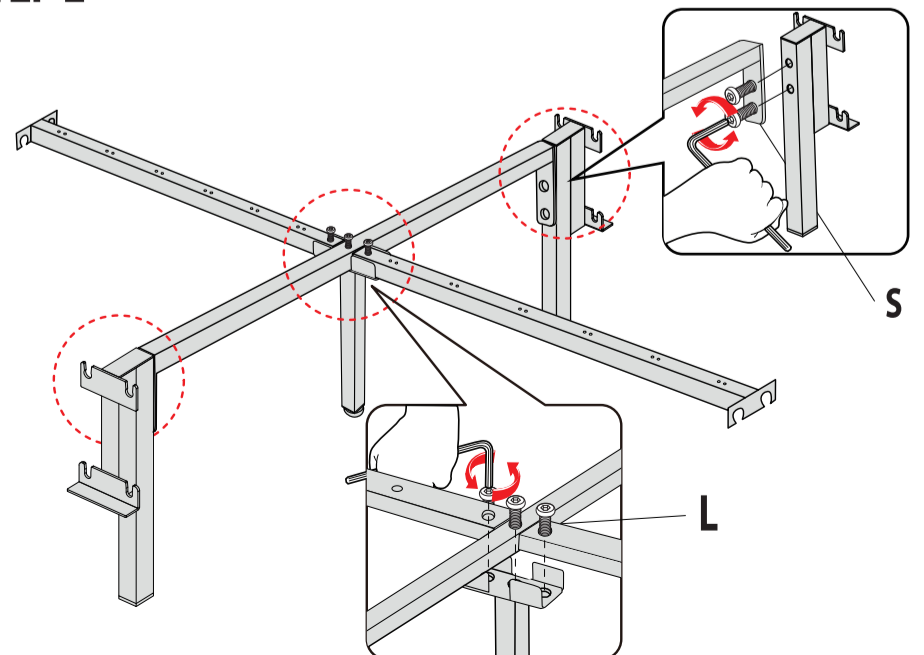
### Components

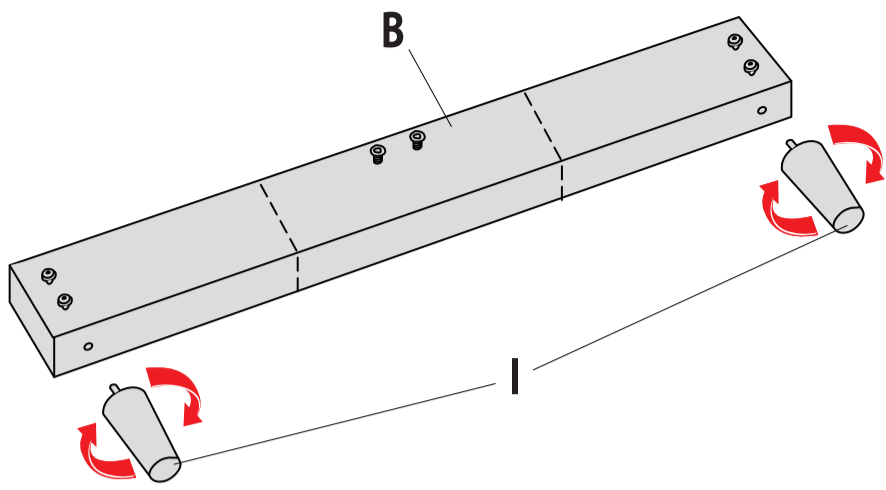
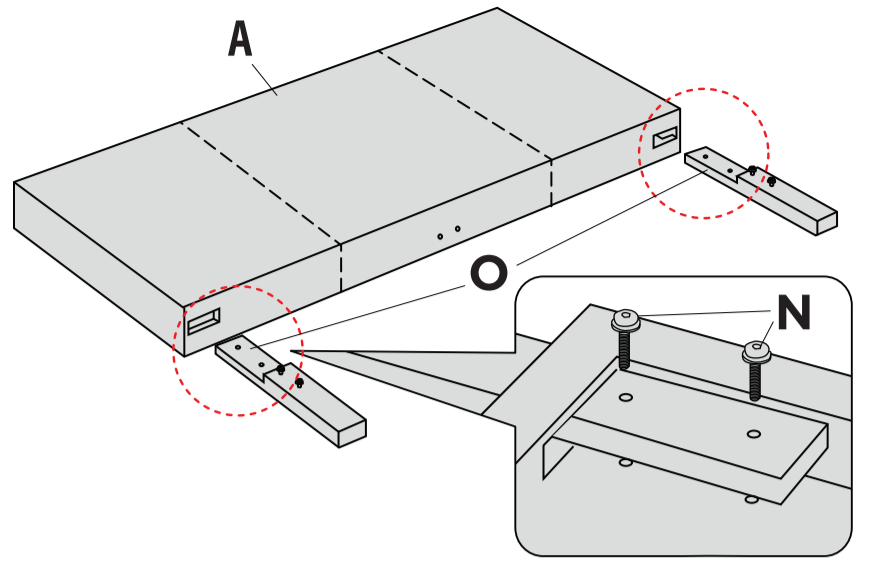
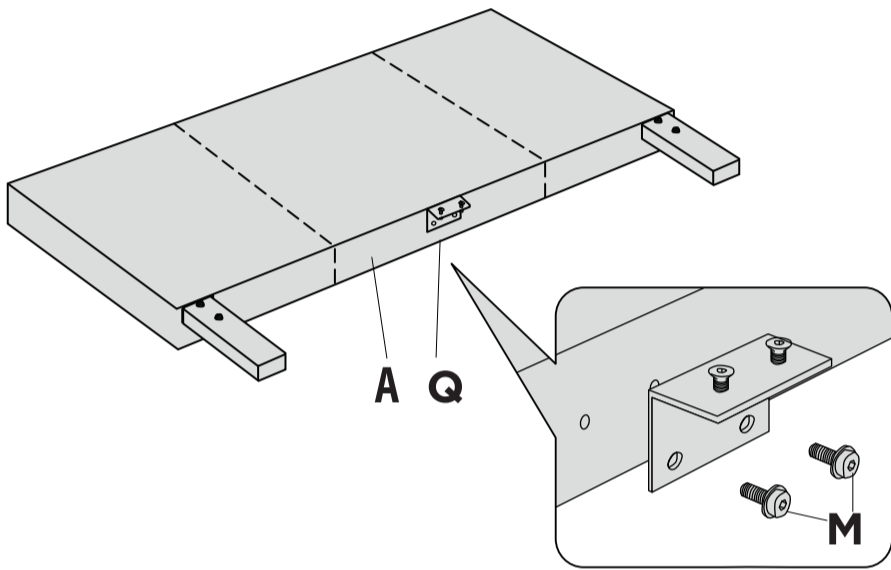


### STEP 1

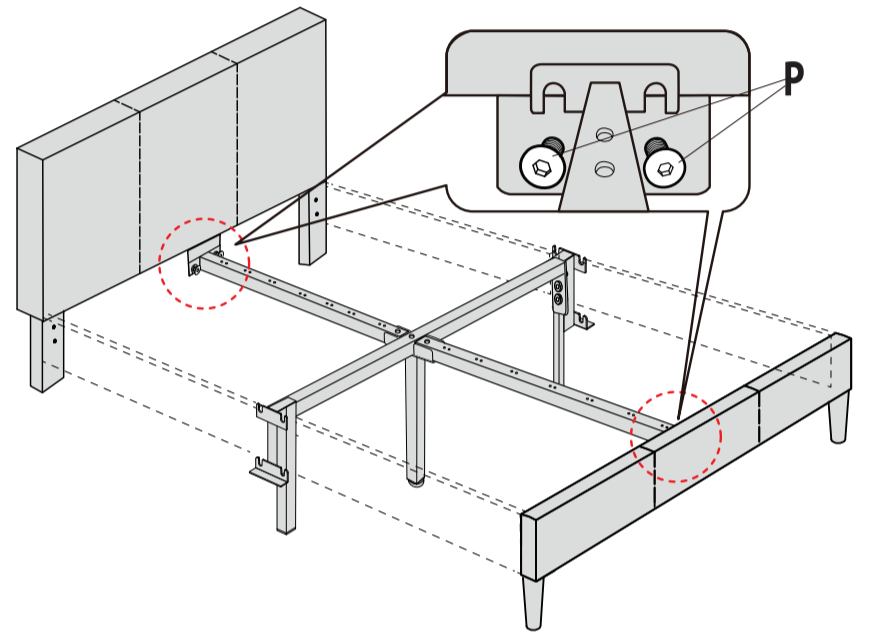
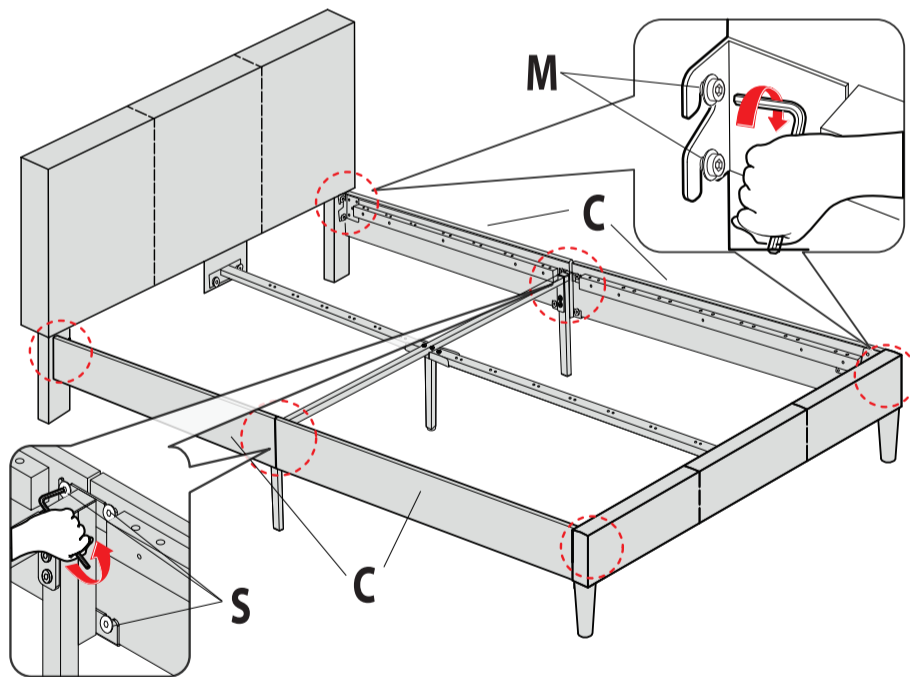
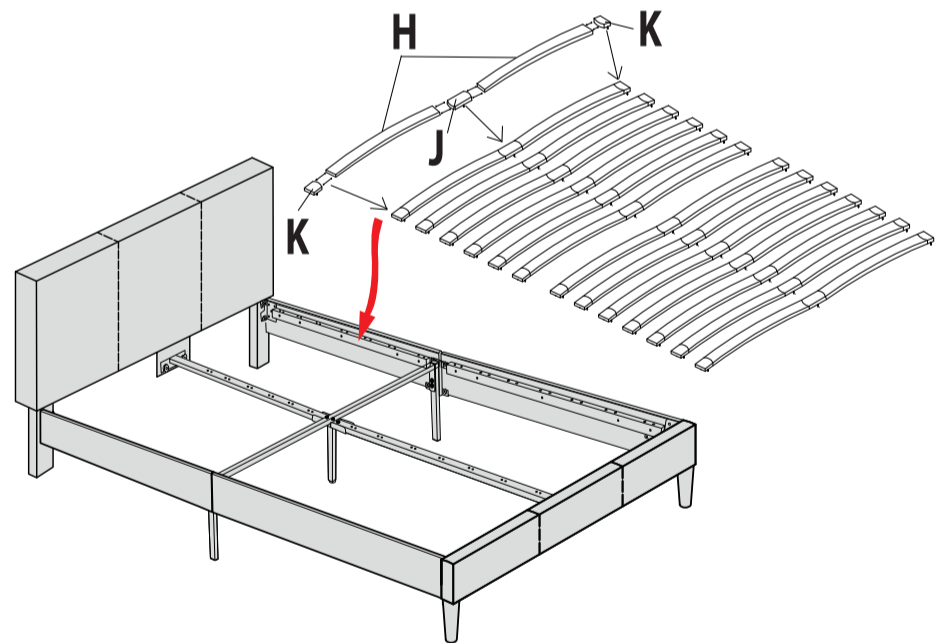
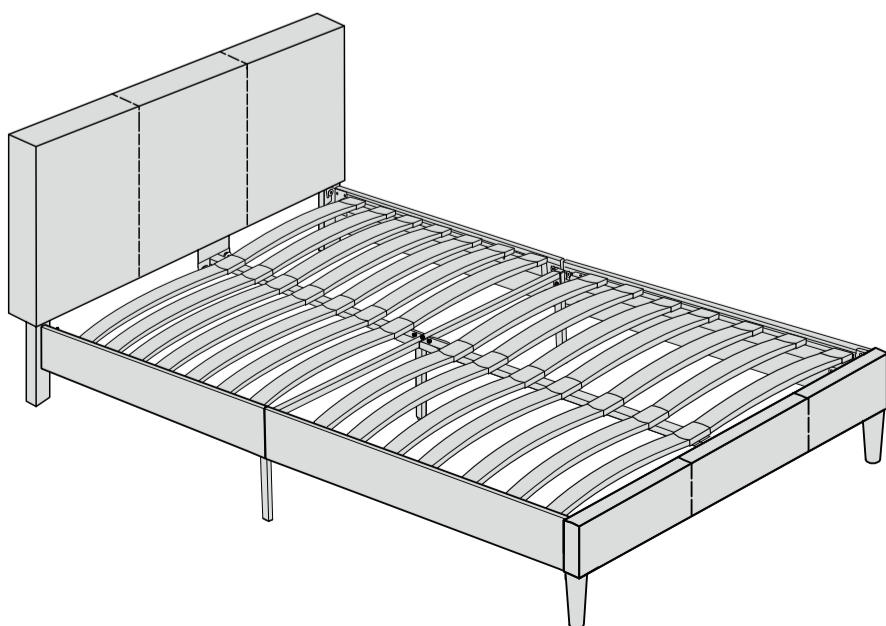


### STEP 2



**STEP 3****STEP 4****STEP 5****STEP 6**

✘ Slightly loose all bolts before assembly and tighten after all pieces are in place.

**STEP 7****STEP 8****STEP 9****STEP 10**