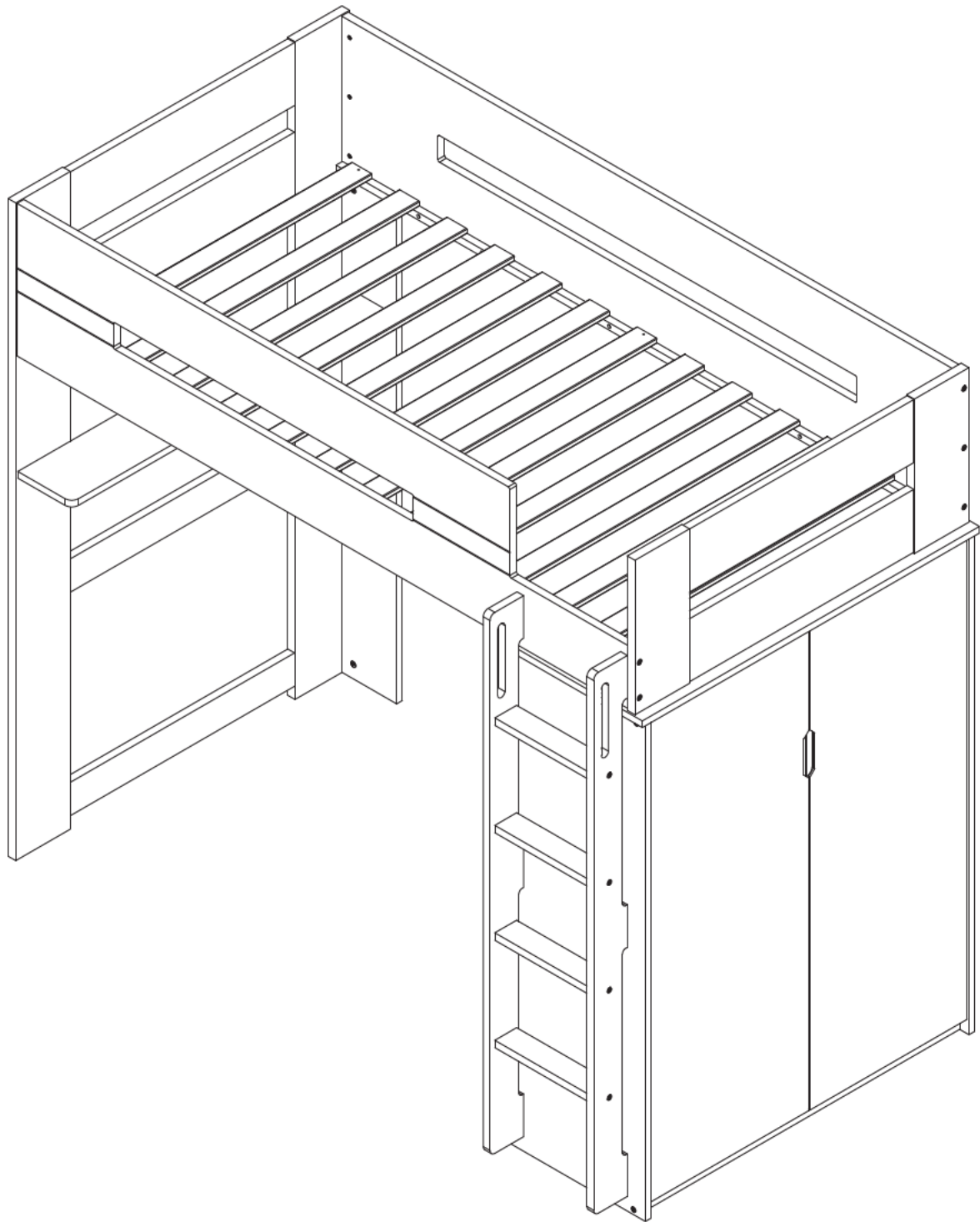


ASSEMBLY INSTRUCTION



Please make sure wardrobe /
bookcase have already been
assembled prior to this.

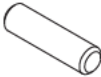
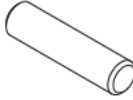
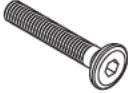








READ THESE INSTRUCTIONS CAREFULLY BEFORE ATTEMPTING TO ASSEMBLE THIS BED.

F1427-13 SAFETY WARNINGS AND GENERAL NOTES:

- Follow the information on the warnings appearing on the upper bunk bed end structure and on the carton. Do not remove the warning label from the bed.
- Always use the recommended size mattress or mattress support, or both, to help prevent the likelihood of entrapment or falls. (See Page 12)
- The top surface of the mattress must be at least 5" below the upper edge of the guardrails. (See Page 12)
- Do not allow children under 6 years of age to use the upper bunk.
- Periodically check and ensure the guardrail, ladder and other components are in their proper position, free from damage, and all connectors are tight.
- Prohibit horseplay on or under the bed. Always prohibit jumping on the bed.
- Prohibit more than one person on upper bunk.
- Always use the ladder for entering and leaving the upper bunk.
- Do not use substitute parts. Contact the manufacturer or dealer for replacement parts.
- Use of a night-light may provide added safety precaution for a child using the upper bunk.
- Always use guardrails on both long sides of the upper bunk.
- If the bunk bed will be placed next to a wall, the guardrail that runs the full length of the bed should be placed against the wall to prevent entrapment between the bed and the wall.
- The use of water or sleep flotation mattresses is prohibited.
- Keep these instructions for future reference.
- We recommend assembling your bunk bed on the shipping carton to protect your floor or carpet. Be certain all staples are out of the box before beginning assembly on the shipping carton.

STRANGULATION HAZARD - Never attach or hang items to any part of the bunk bed that are not designed for use with the bed; for example, but not limited to, hooks, belts, and jumpropes.

HARDWARE LIST

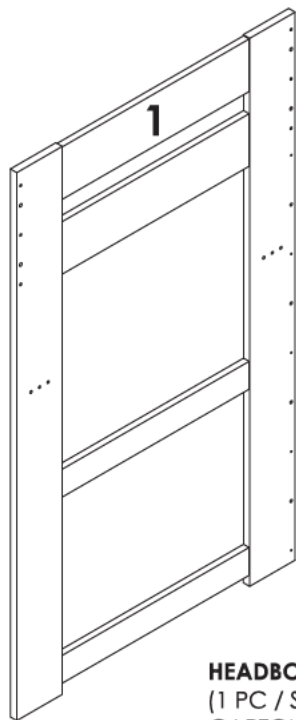
A 10 PCS  PLASTIC DOWEL (M8 x 30MM)	B 26 PCS  PLASTIC DOWEL (M10 x 35MM)	C 6 PCS  JCBC BOLT (M6 x 35MM)
D 24 PCS  JCBC BOLT (M6 x 60MM)	E 22 PCS  JRN NUT (M6 x 13MM)	F 5 PCS  CONNECTING BOLT (34MM)
G 5 PCS  MINIFIX (12MM)	H 4 PCS  CSK C/B SCREW (M3.5 x 16MM)	J 6 PCS  CSK C/B SCREW (M4 x 32MM)
K 2 PCS  2 HOLE L-BRACKET (18 x 20 x 2MM)	L 1 PC  ALLEN KEY (M4 x 60MM)	

- The assembly will require at least two people to complete.
- Make sure all the fasteners are tight.
- Due to the size of this bed, It must be assembled within the space it will occupy.
- Above all, take your time and read the instruction carefully.

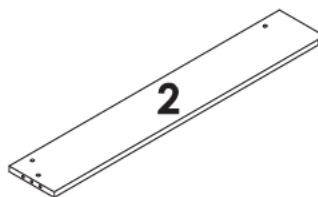
TOOLS REQUIRED :
 Crosshead Screwdriver
 Rubber Hammer

****Before you assemble this bed, please make sure that Wardrobe has already been assembled.***

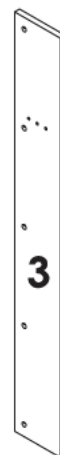
PART LIST



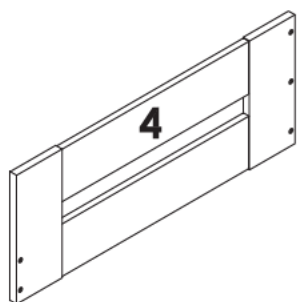
HEADBOARD
(1 PC / SET)
CARTON 1 OF 2



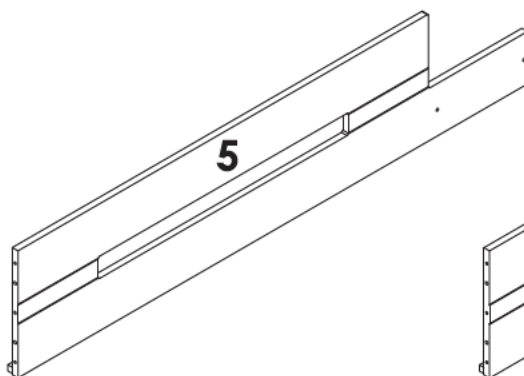
SHELF PANEL
(1 PC / SET)
CARTON 2 OF 2



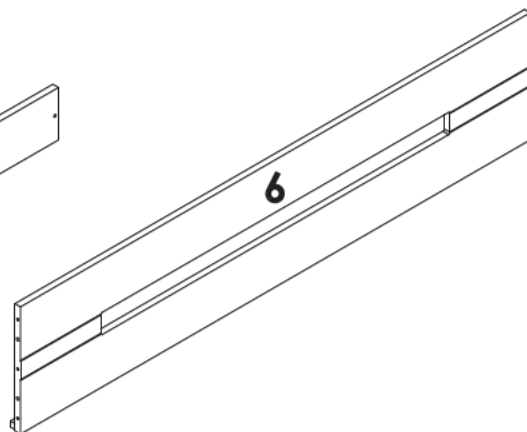
HEADBOARD SUPPORT
(1 PC / SET)
CARTON 2 OF 2



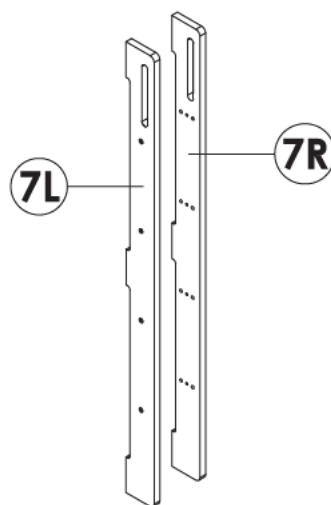
FOOTBOARD
(1 PC / SET)
CARTON 1 OF 2



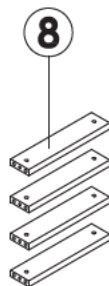
FRONT GUARD RAIL
(1 PC / SET)
CARTON 2 OF 2



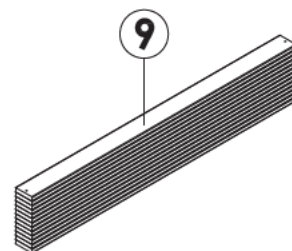
REAR GUARD RAIL
(1 PC / SET)
CARTON 2 OF 2



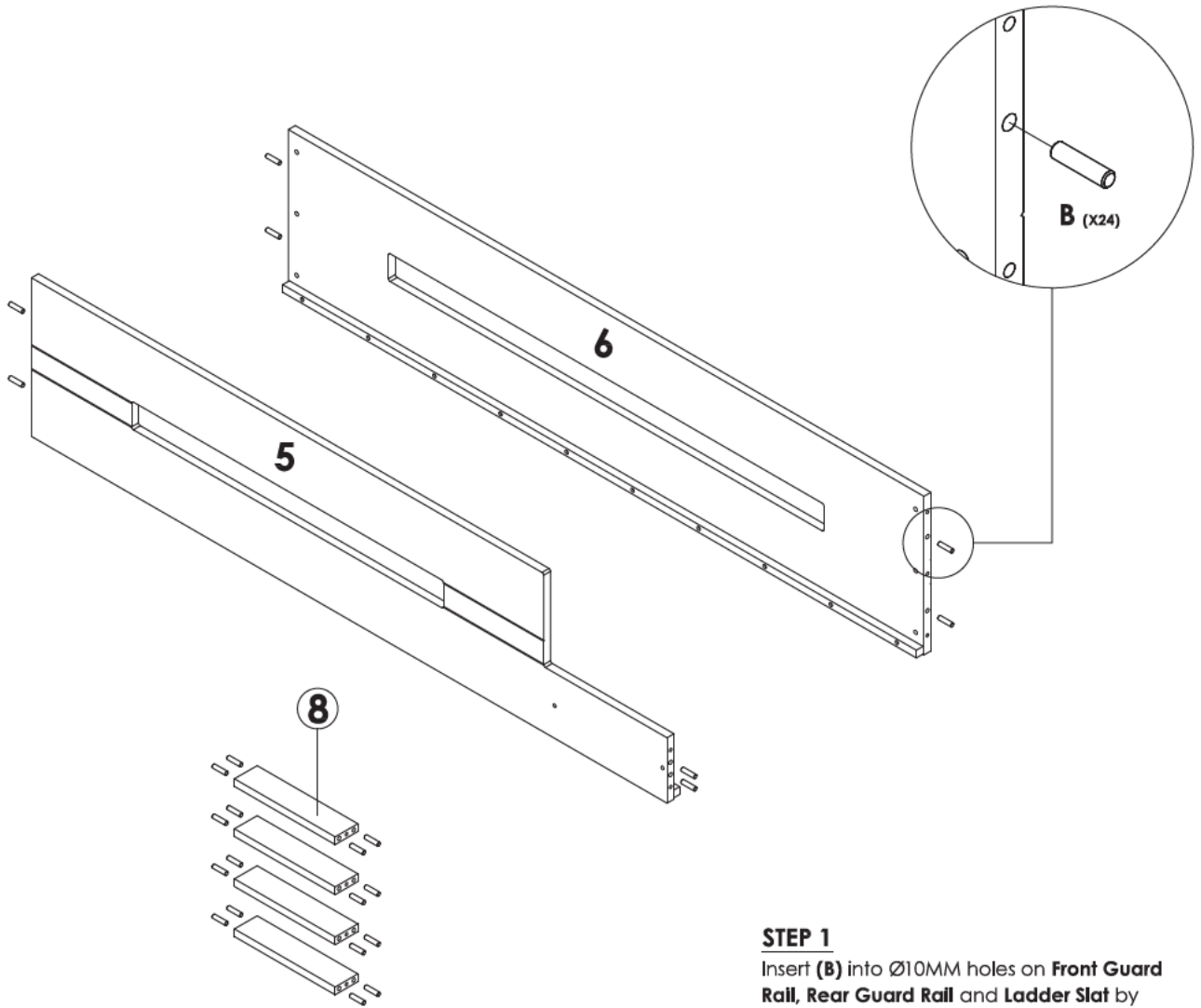
LADDER SIDE (L/R)
(2 PCS / SET)
CARTON 2 OF 2



LADDER SLAT
(4 PCS / SET)
CARTON 2 OF 2

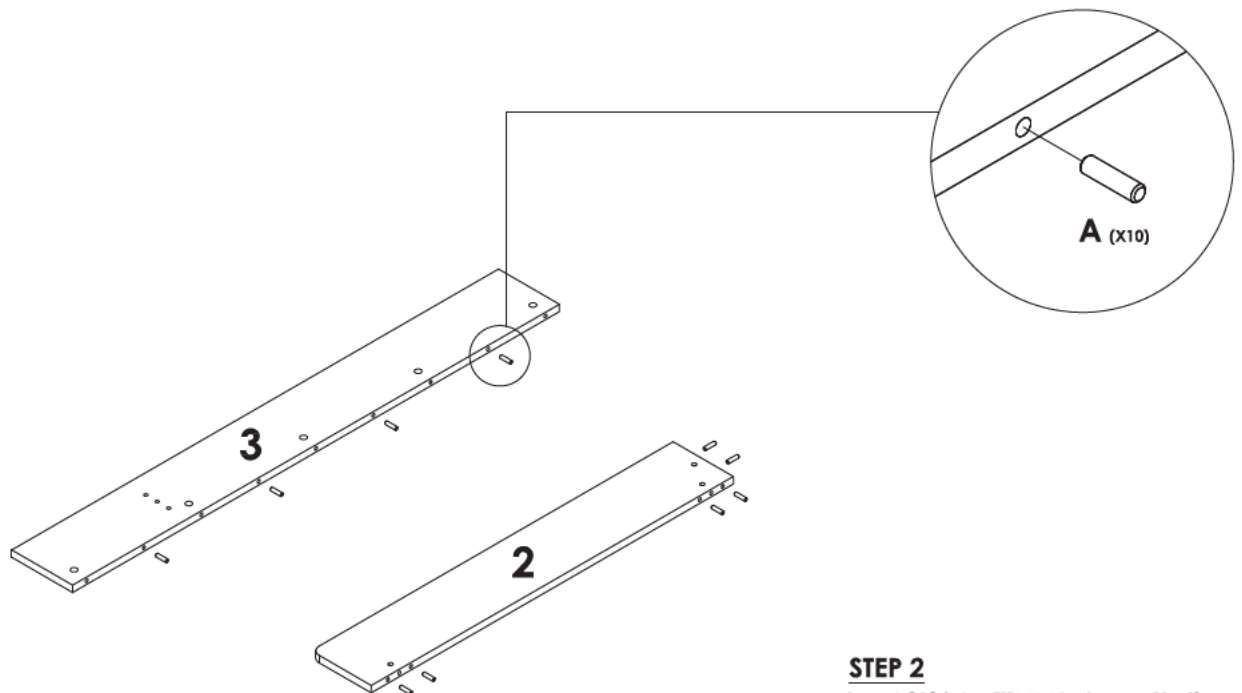


WOODEN SLAT
(13 PCS / SET)
CARTON 1 OF 2



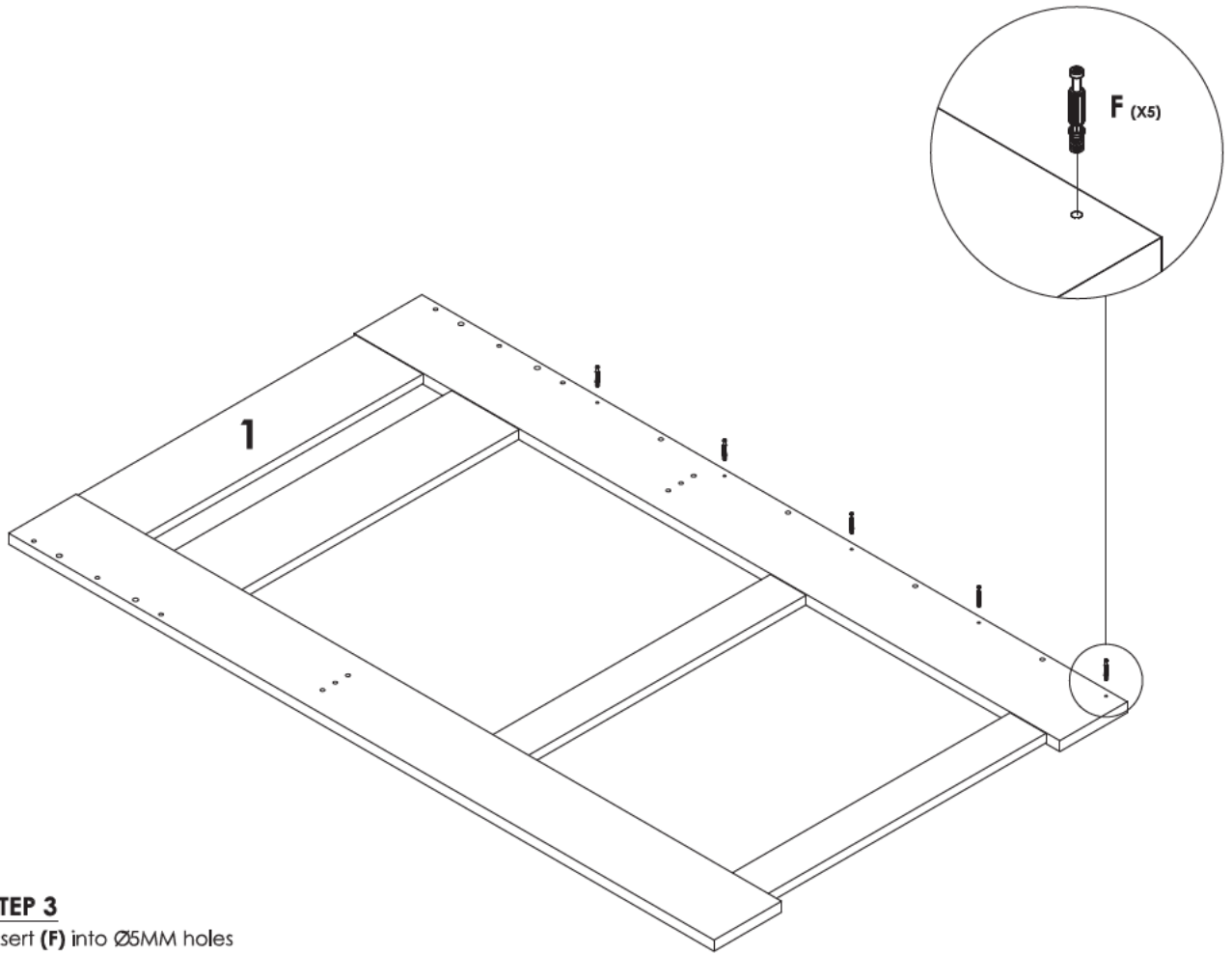
STEP 1

Insert **(B)** into $\varnothing 10\text{MM}$ holes on **Front Guard Rail, Rear Guard Rail and Ladder Slat** by using a Rubber Hammer.



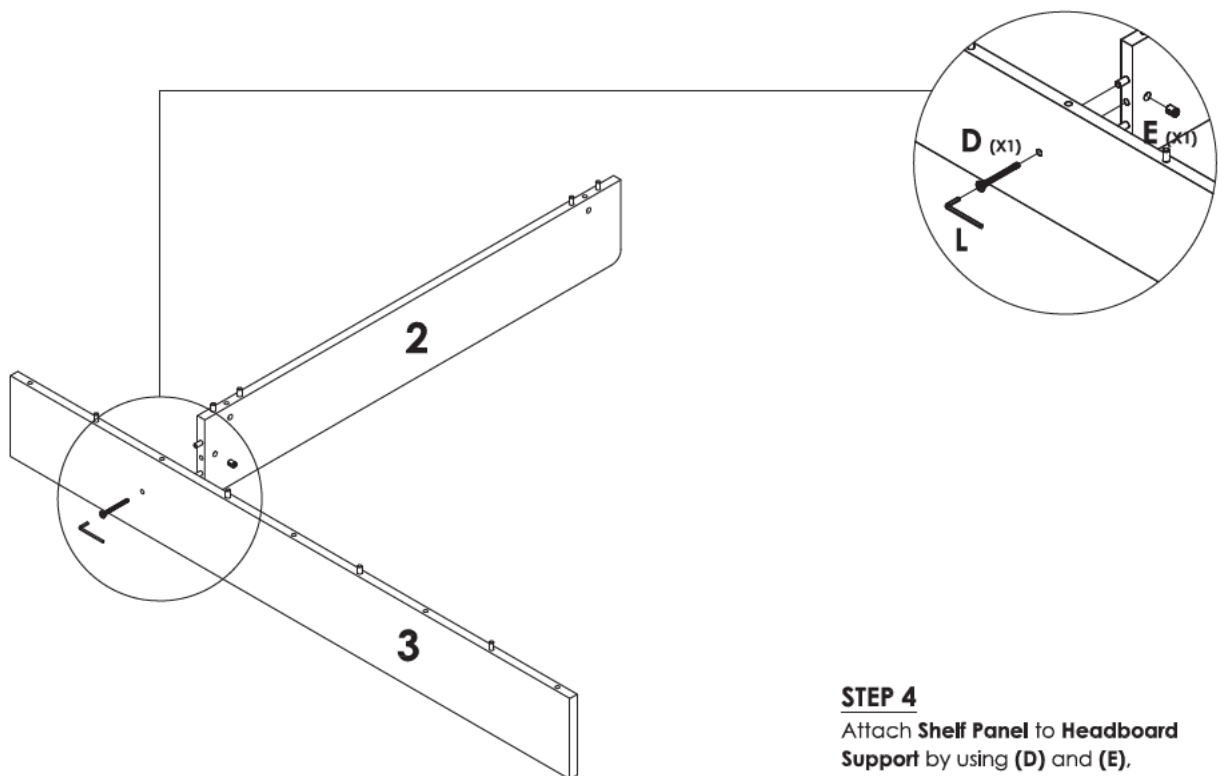
STEP 2

Insert **(A)** into $\varnothing 8\text{MM}$ holes on **Shelf Panel and Headboard Support** by using a Rubber Hammer.



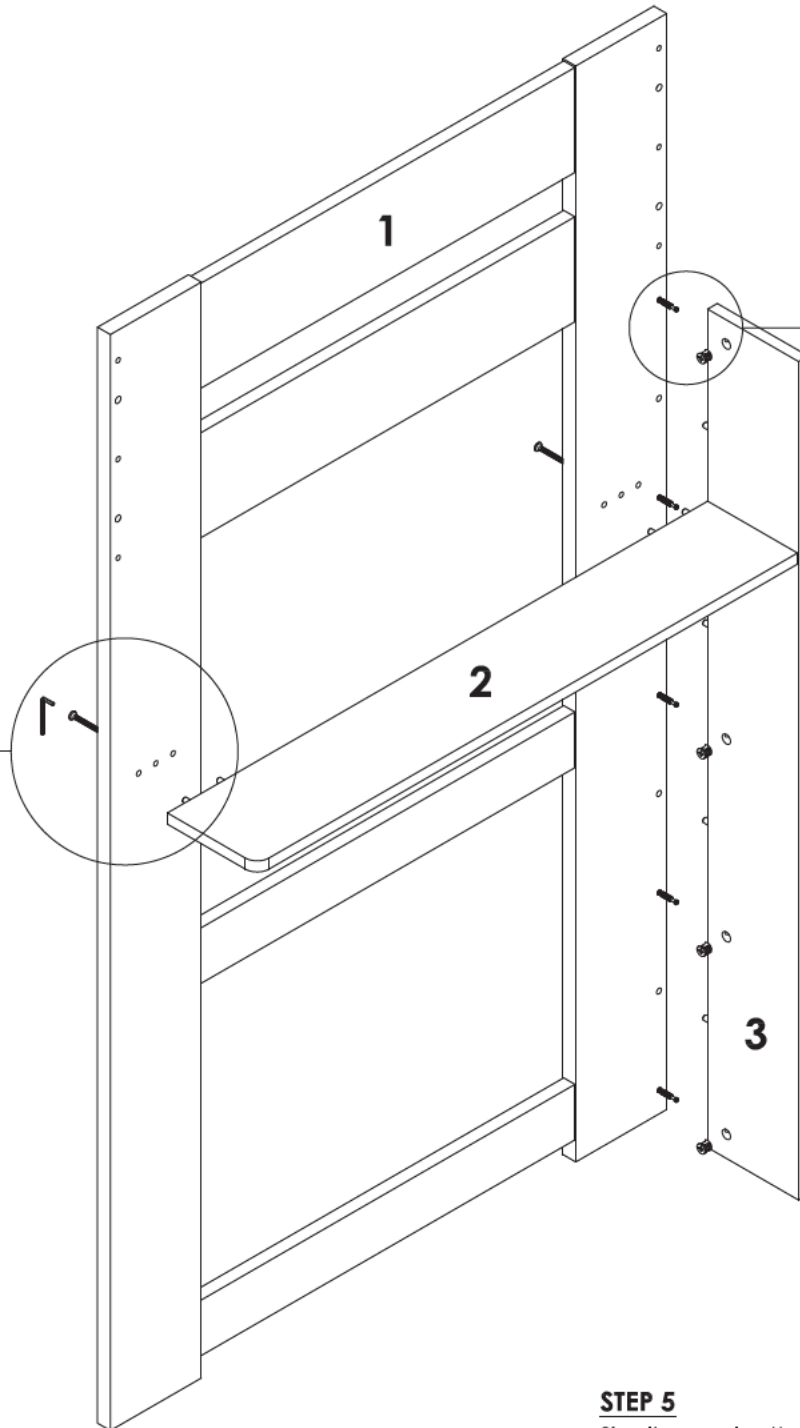
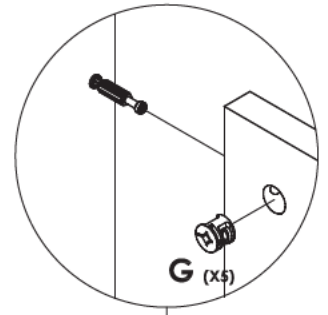
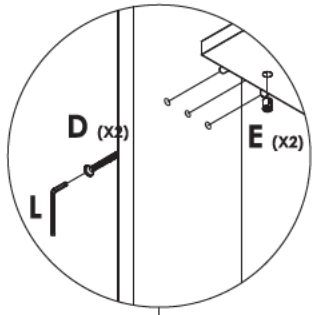
STEP 3

Insert **(F)** into Ø5MM holes on **Headboard** by using a Crosshead Screw Driver.



STEP 4

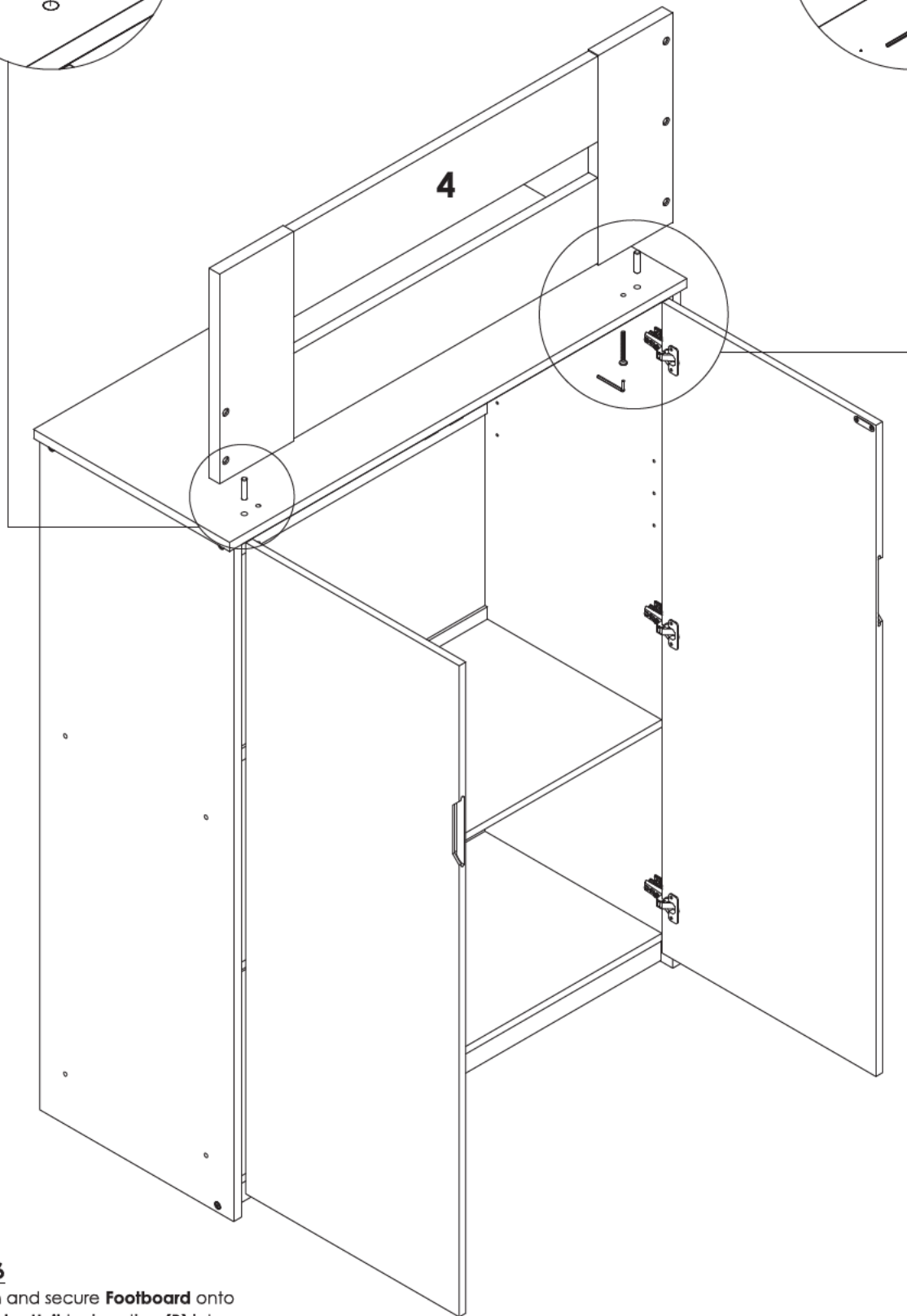
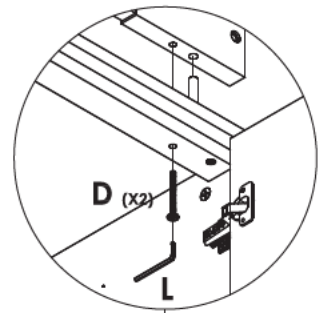
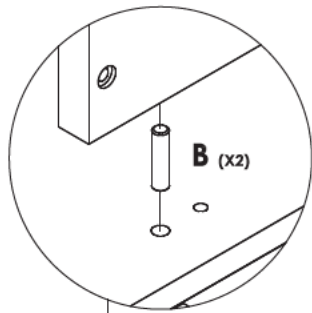
Attach **Shelf Panel** to **Headboard Support** by using **(D)** and **(E)**, tighten it up by using **(L)**.



STEP 5

Simultaneously attach **Shelf Panel** and **Headboard Support** onto **Headboard** by using **(D)** and **(E)**, tighten it up by using **(L)**.

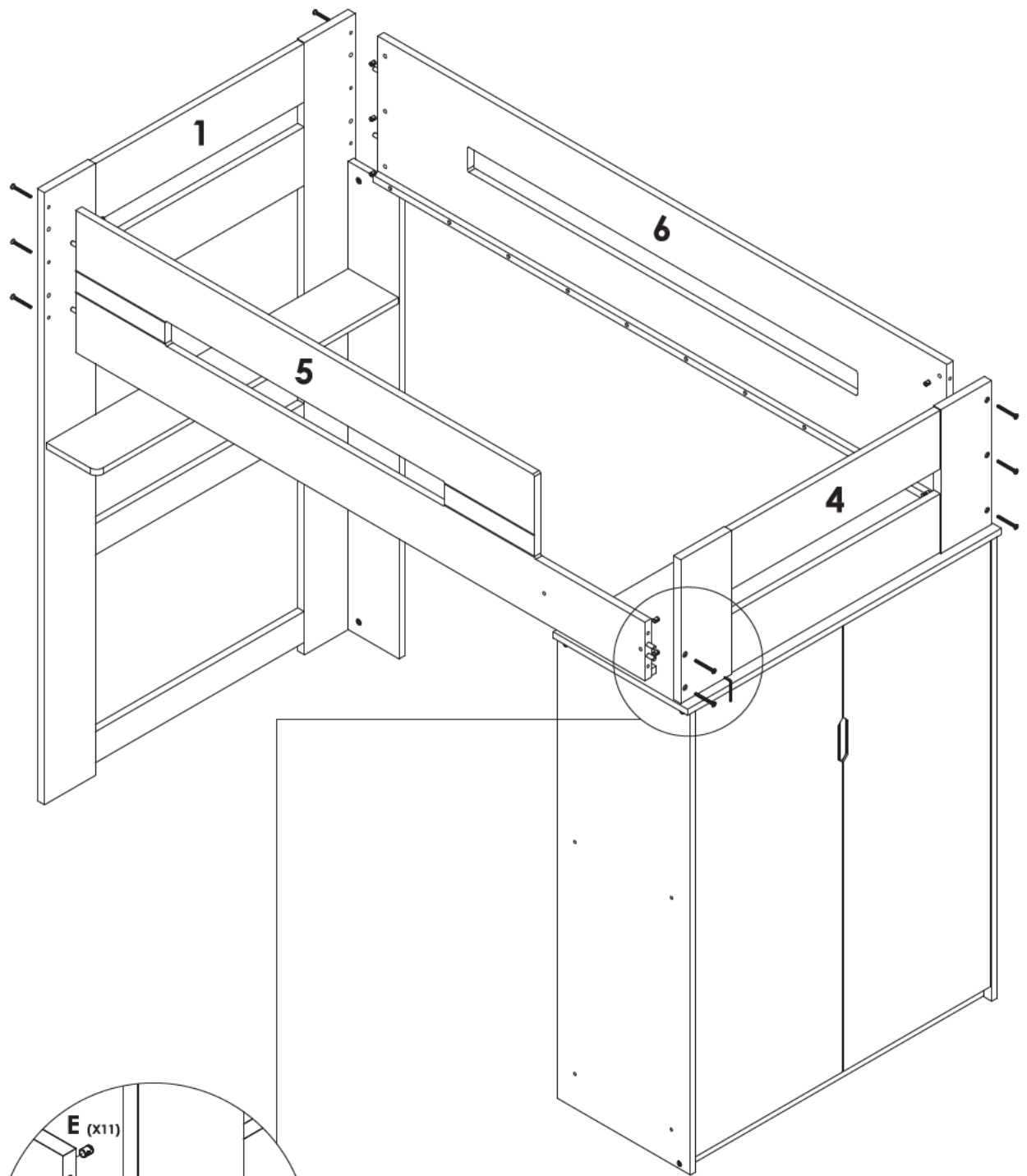
Continue by inserting **(G)** and tightening it up by using a Crosshead Screw Driver.



STEP 6

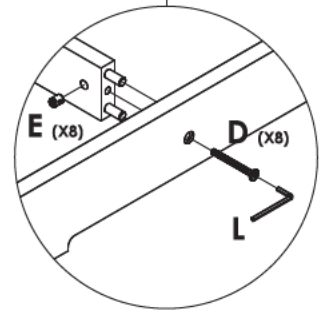
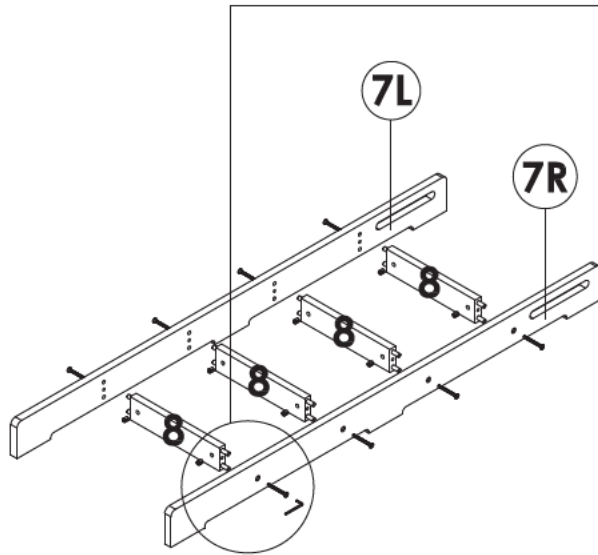
Attach and secure **Footboard** onto **Wardrobe Unit** by inserting **(B)** into designated $\varnothing 10\text{MM}$ holes.

Follow it up by screwing in **(D)** from beneath **Wardrobe Unit**, tighten it up by using **(L)**.



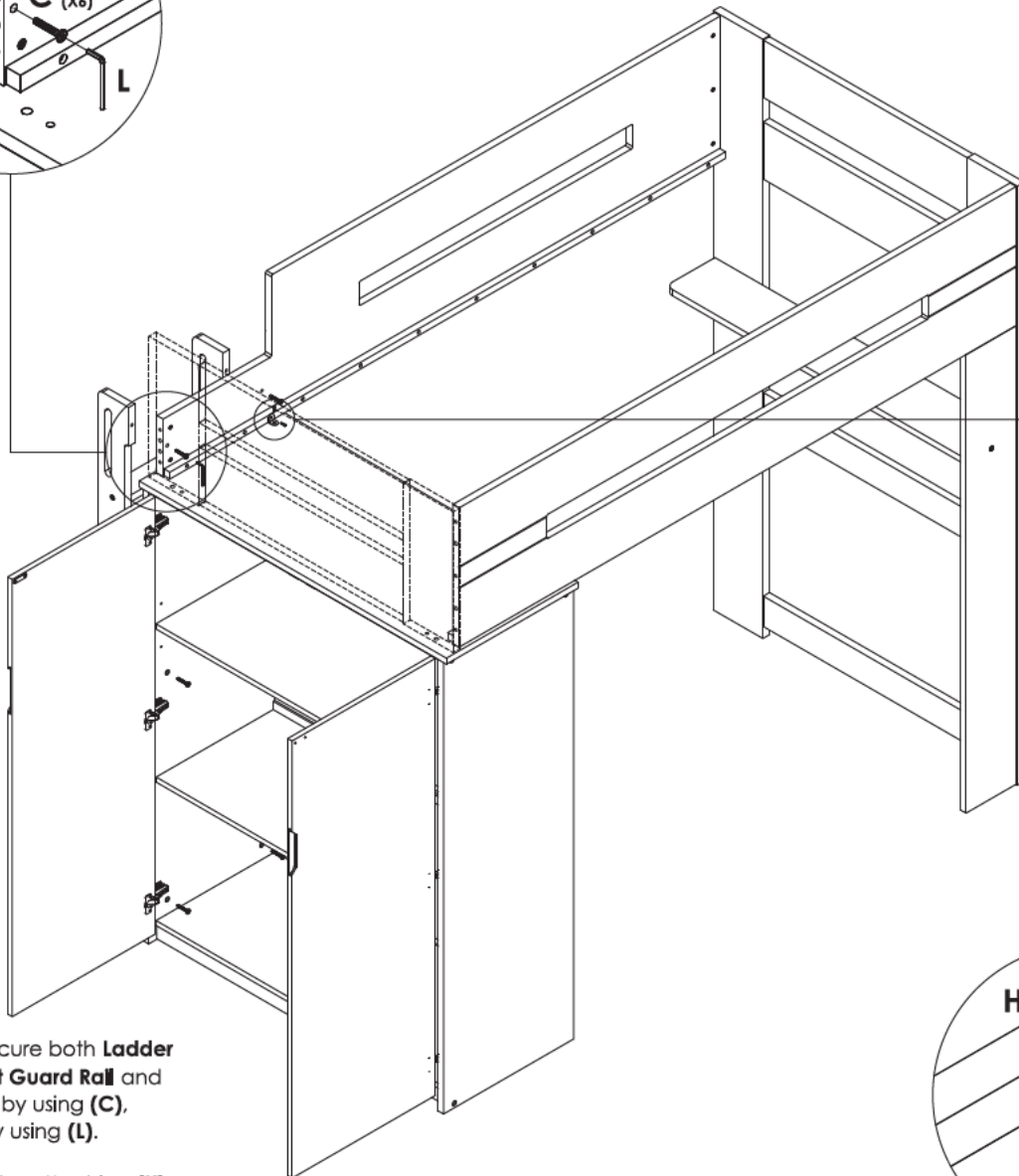
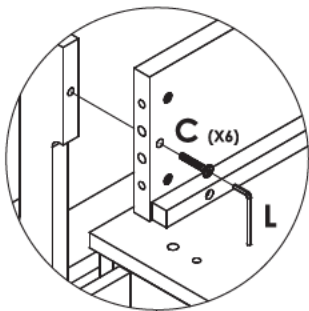
STEP 7

Attach and secure **Headboard** and **Footboard** onto **Front Guard Rail** and **Rear Guard Rail** by using **(D)** and **(E)**, tighten it up by using **(L)**.



STEP 8

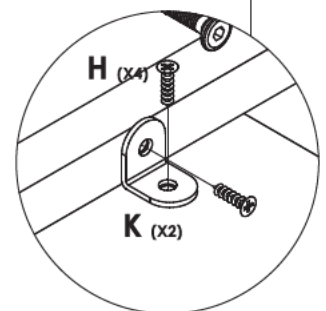
Attach and secure both **Ladder Side (L/R)** onto **Ladder Slat** by using **(D)** and **(E)**, tighten it up by using **(L)**.

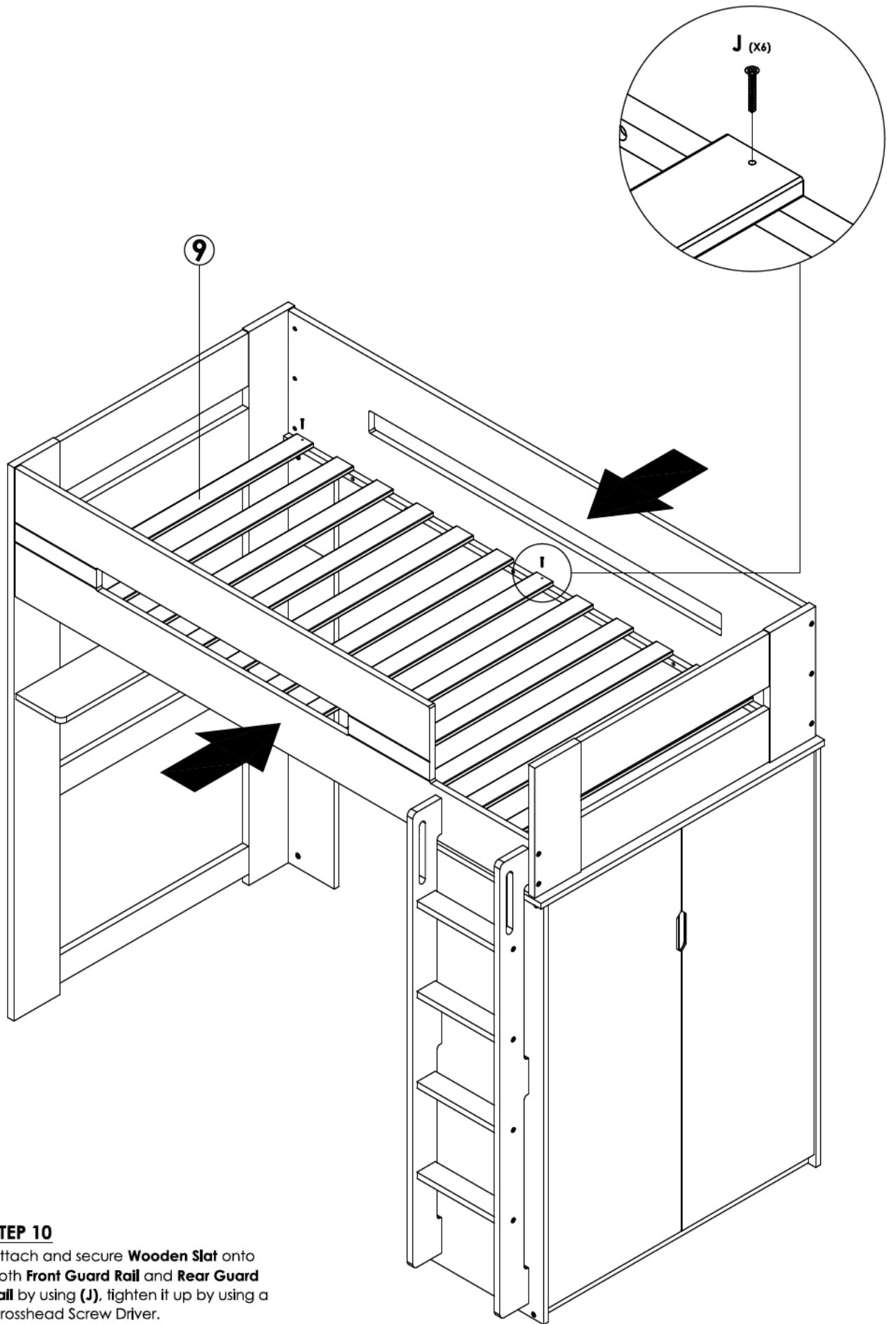


STEP 9

Attach and secure both **Ladder Side** onto **Front Guard Rail** and **Wardrobe Unit** by using **(C)**, tighten it up by using **(L)**.

Follow that up by attaching **(K)** onto **Wardrobe Unit** by using **(H)**, tighten it up by using a Crosshead Screw Driver.



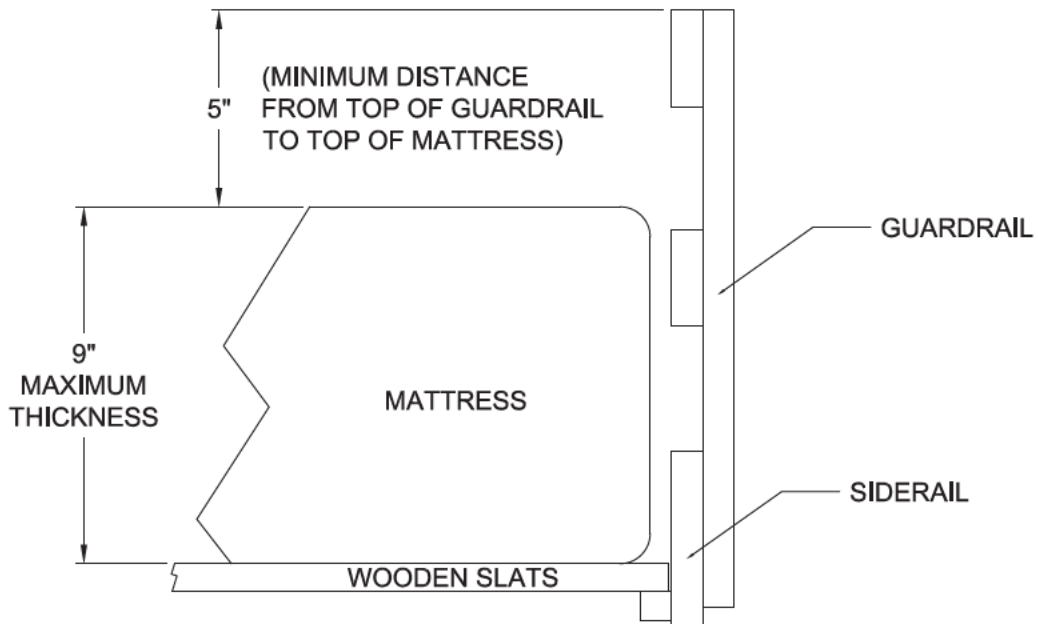


STEP 10

Attach and secure **Wooden Slat** onto both **Front Guard Rail** and **Rear Guard Rail** by using **(J)**, tighten it up by using a Crosshead Screw Driver.

* Align both **Front Guard Rail** and **Rear Guard Rail** before tightening the screws.

BEDDING SPECIFICATION



MATTRESS SIZE

Upper Bunk Mattress Specification :

- Only use a mattress that is 74" - 75" long and 38 1/2" - 39 1/2" wide on upper bunk.
- Ensure thickness of mattress does not exceed 9".