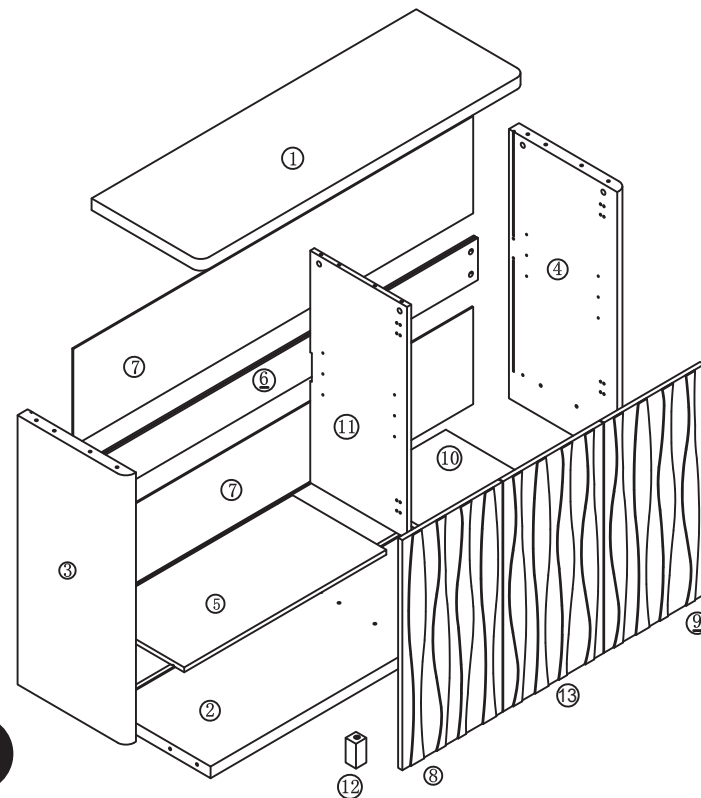


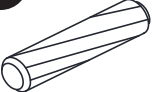
















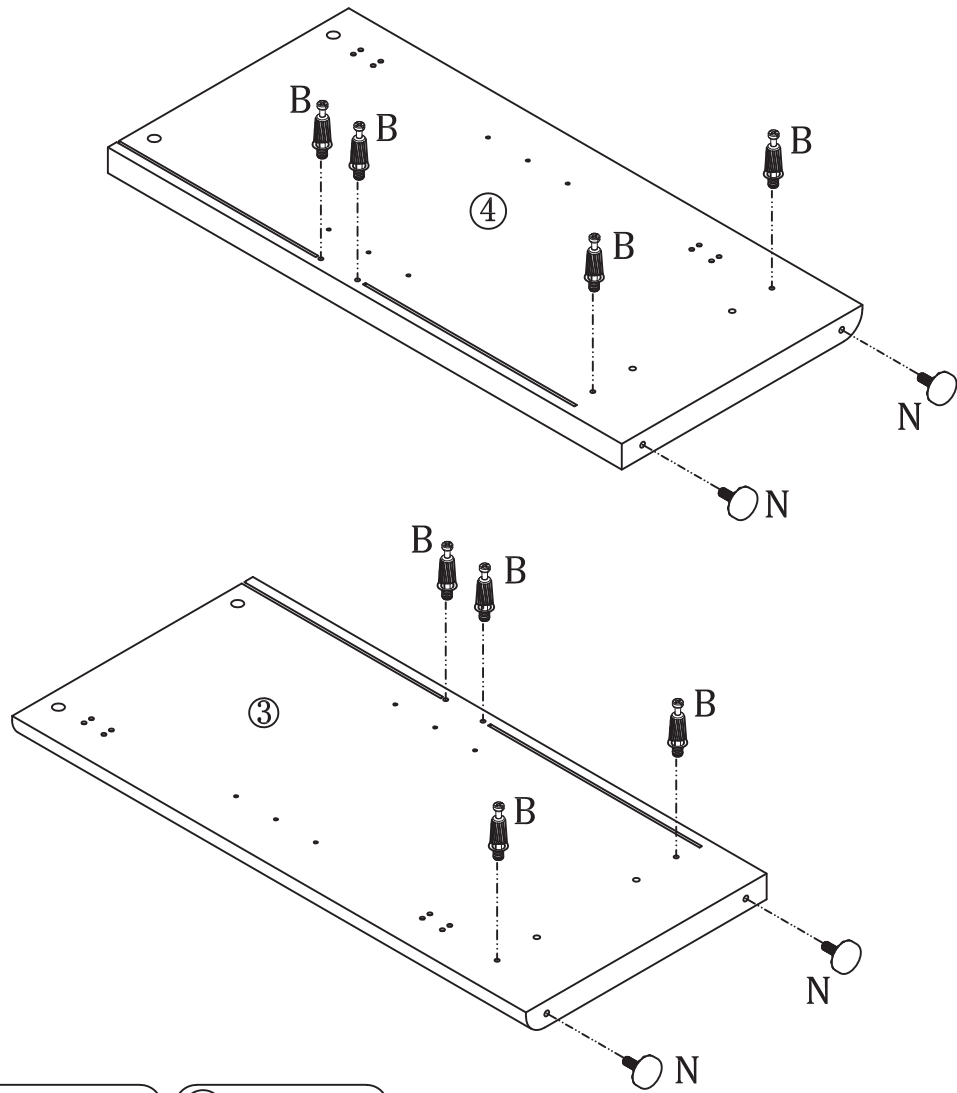
Parts list





Hardware list

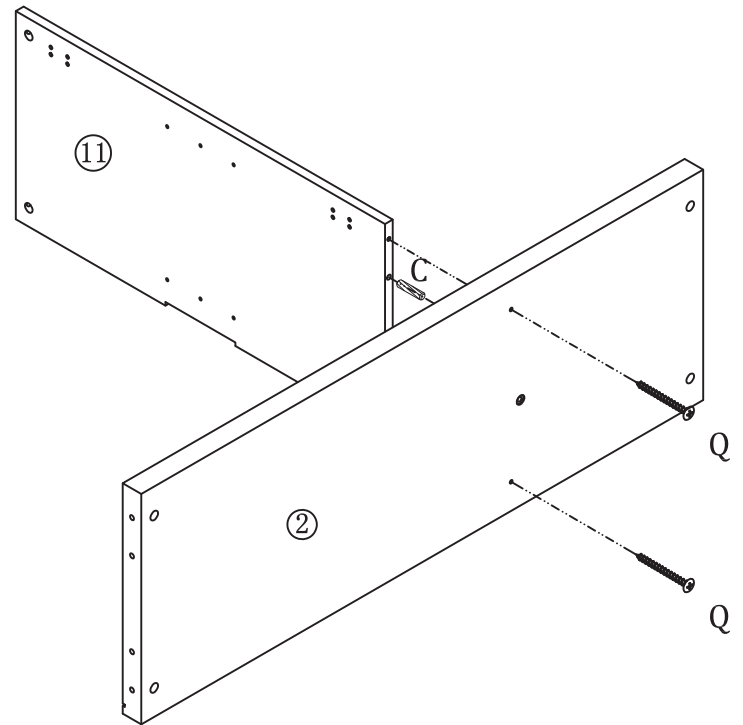
A ×14 	B ×14 	C ×12 $\phi 8 \times 30 \text{mm}$ 	D ×8 	E ×8 $\phi 3 \times 16 \text{mm}$ 
F ×36 $\phi 4 \times 14 \text{mm}$ 	G ×8 	H ×14 $\phi 20$ 	I ×3 	J ×4 
K ×3 M3×13mm 	L ×12 $\phi 4 \times 15 \text{mm}$ 	M ×2 		
N ×5 	O ×1 	P ×2 	Q ×2 $\phi 4.2 \times 50 \text{mm}$ 	

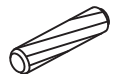

Step 1



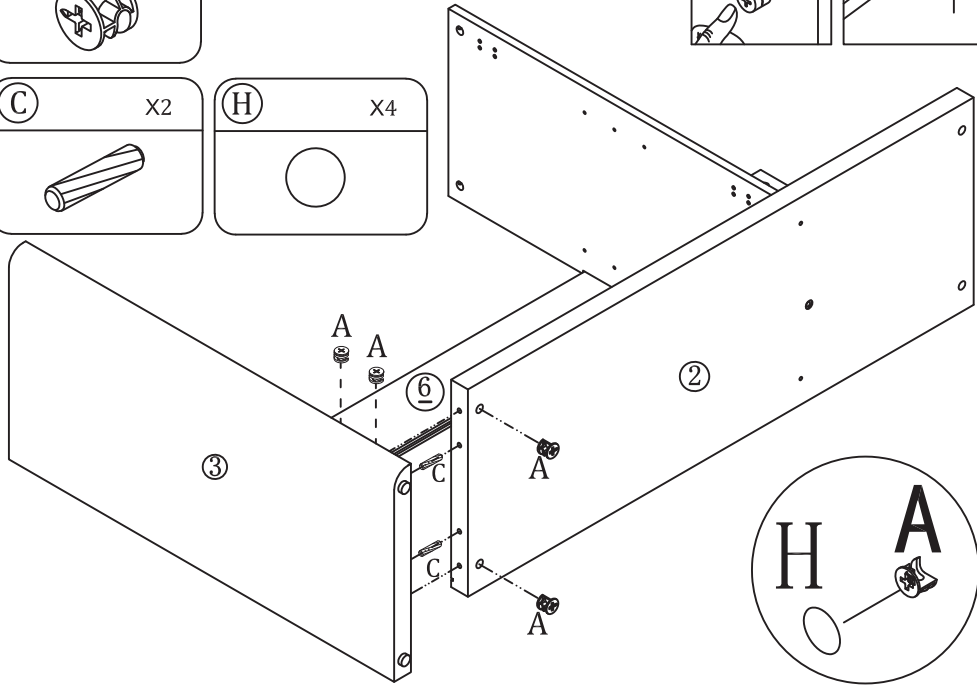
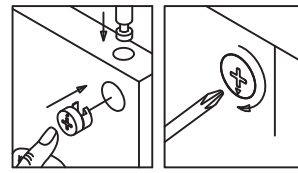
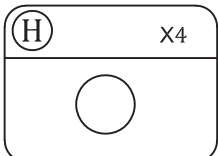
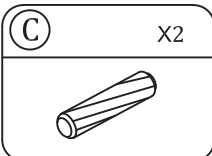
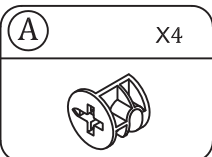
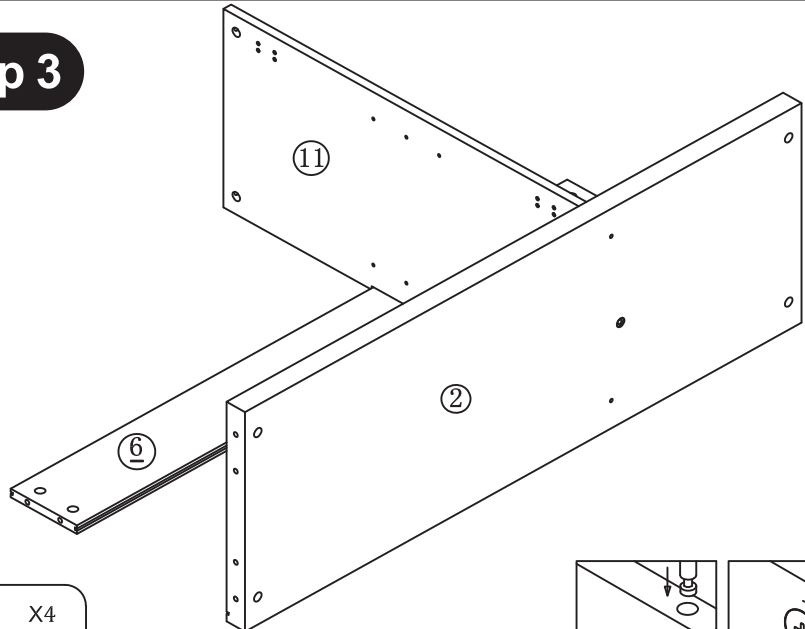
(B)	X8	(N)	X4
			

Step 2

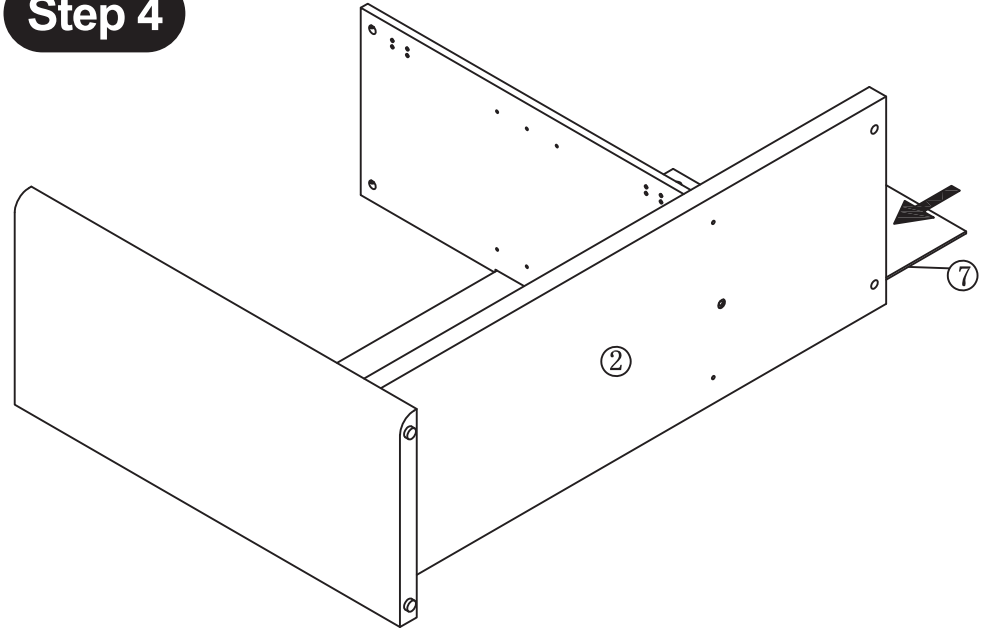


(C)	X2	(Q)	X2
			

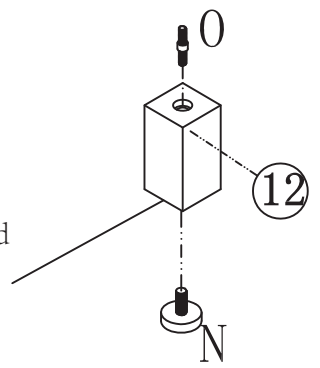
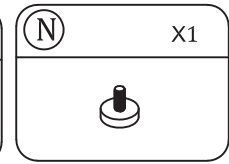
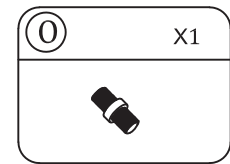
Step 3



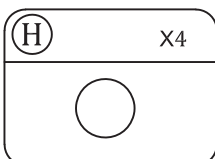
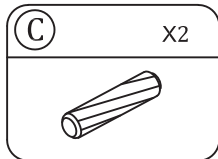
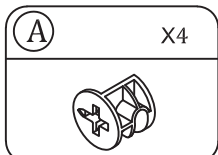
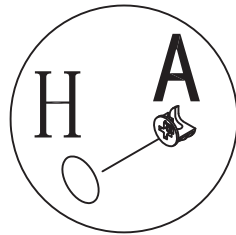
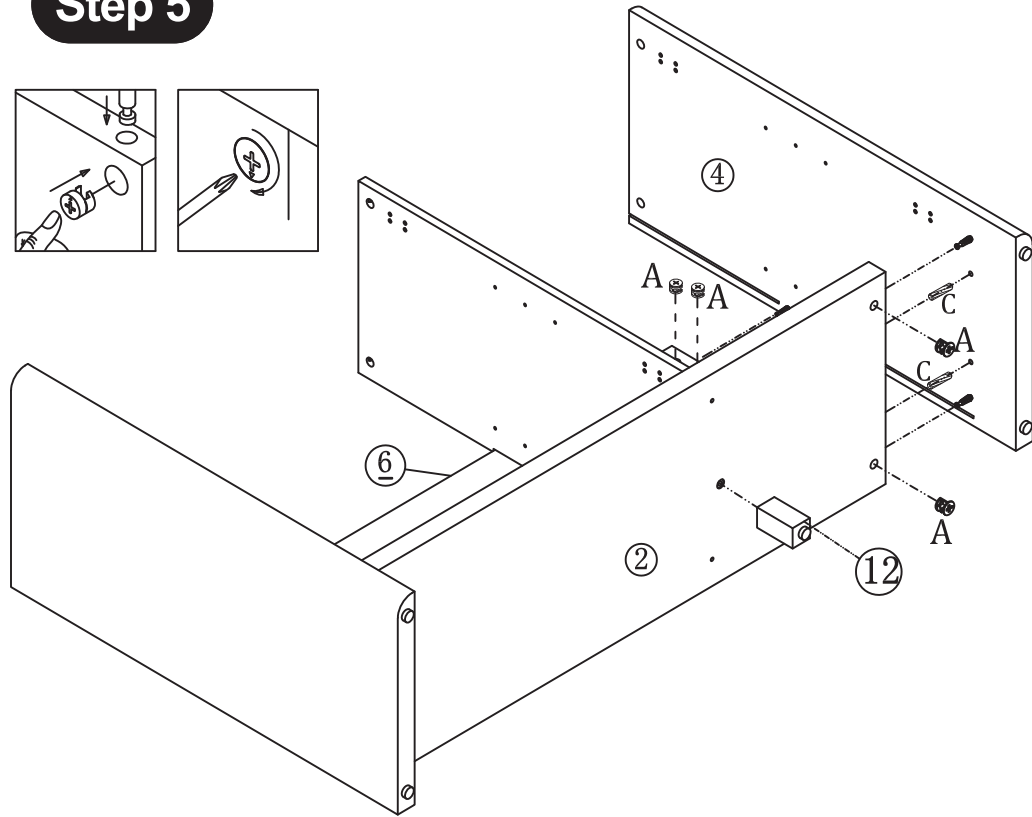
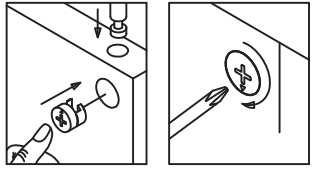
Step 4



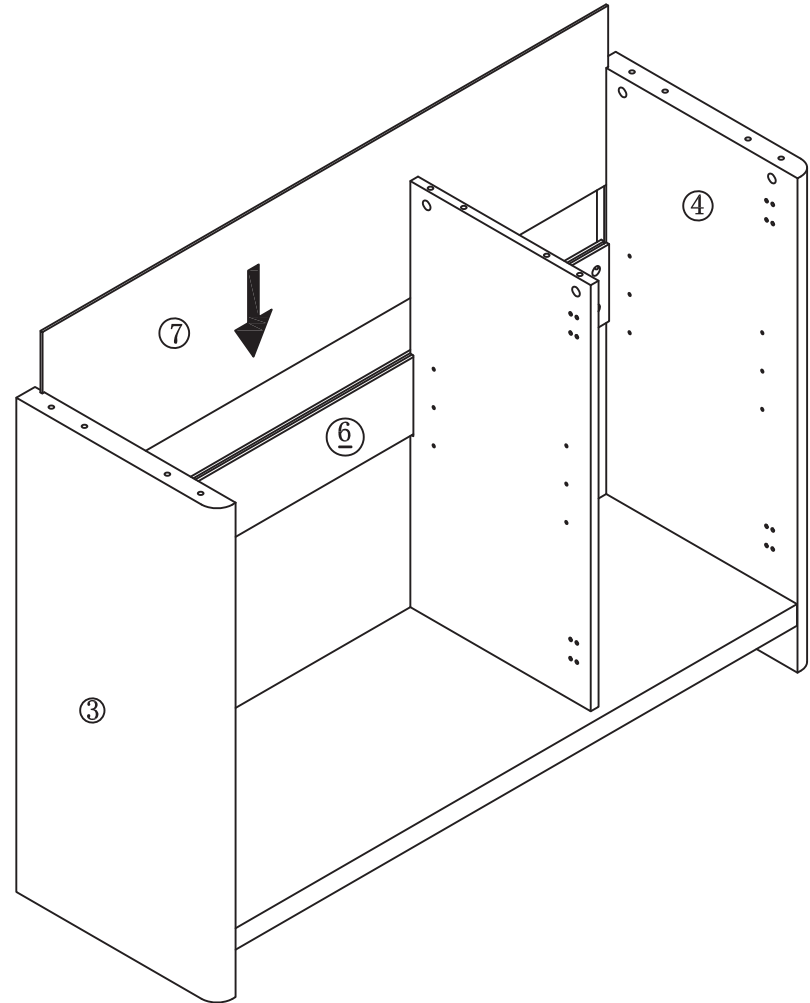
Note: Component 12 has different sized holes on the top and bottom sides. The larger hole fits accessory N, and the smaller hole fits accessory O.



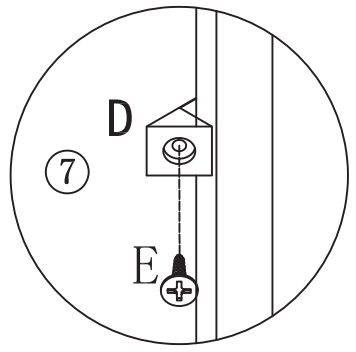
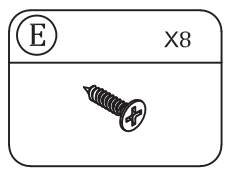
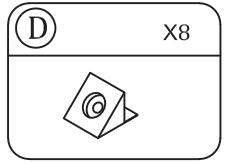
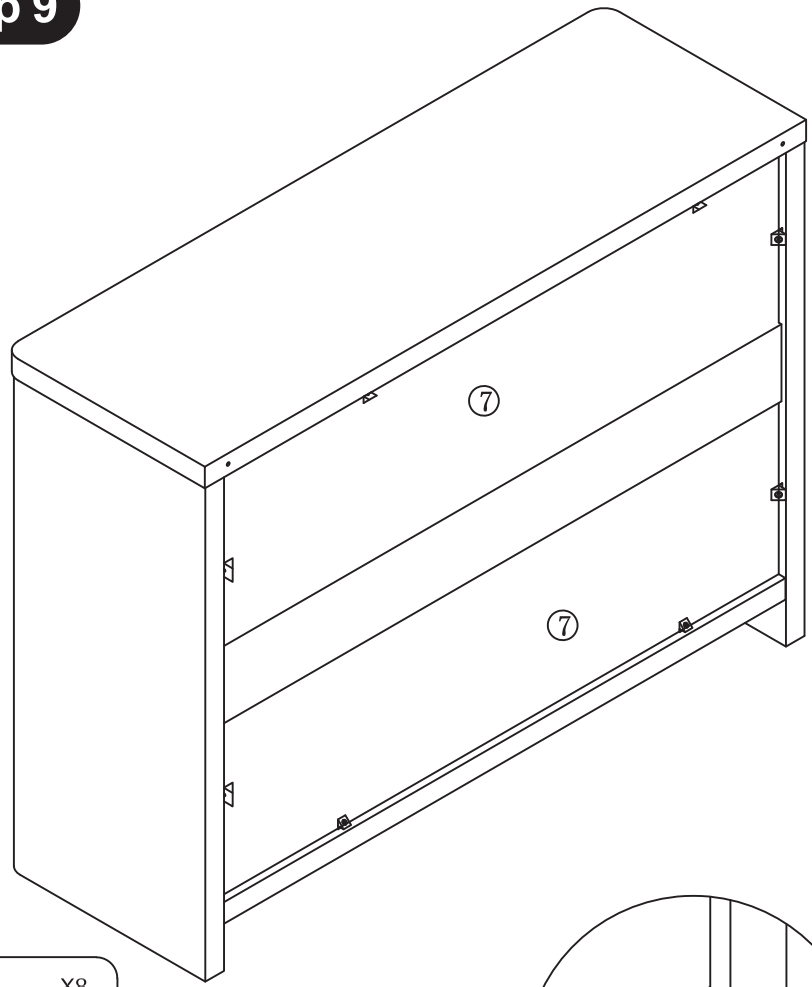
Step 5



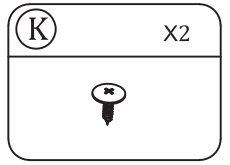
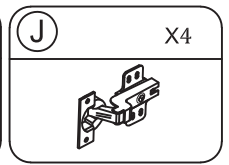
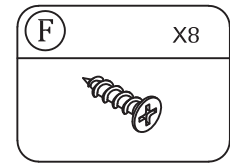
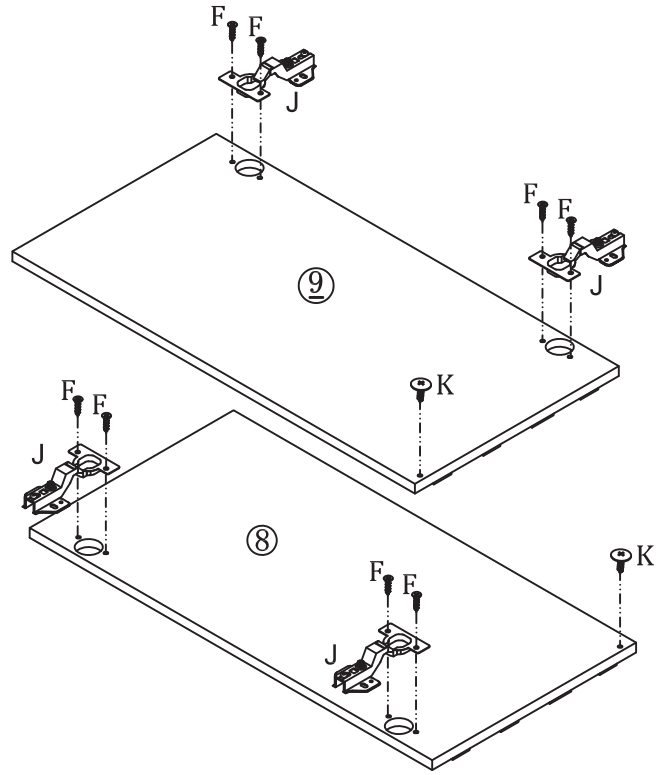
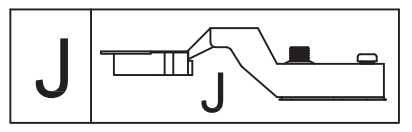
Step 6



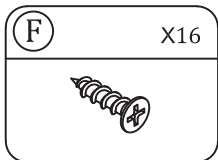
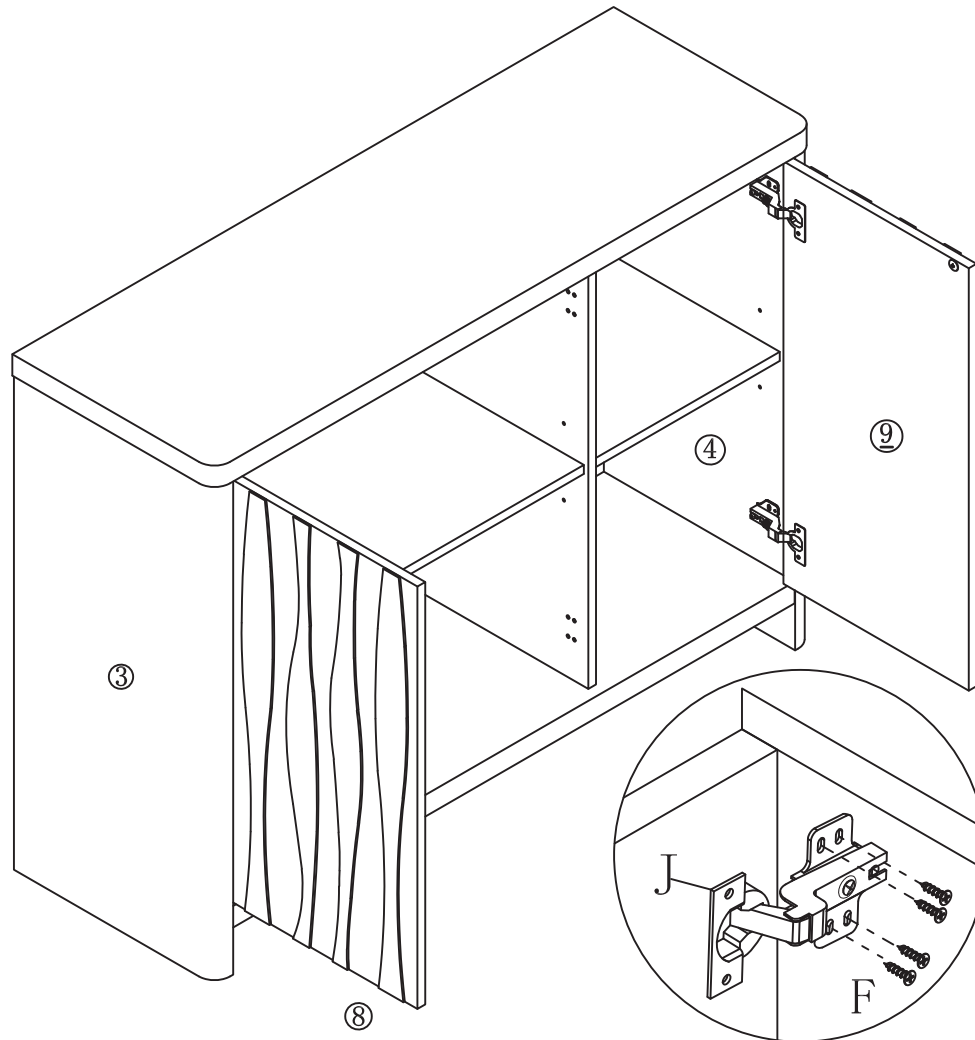
Step 9



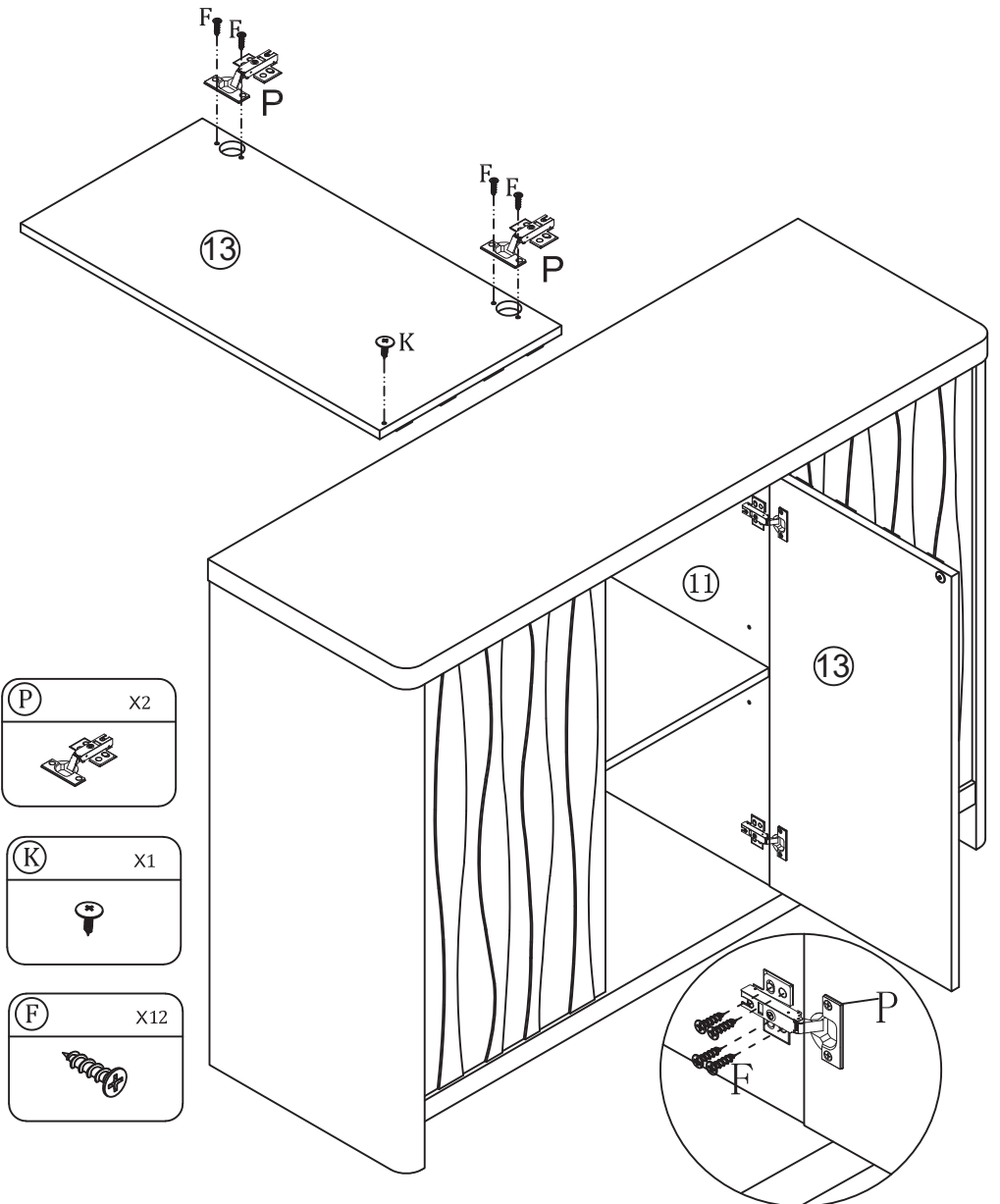
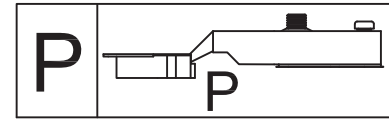
Step 10



Step 11



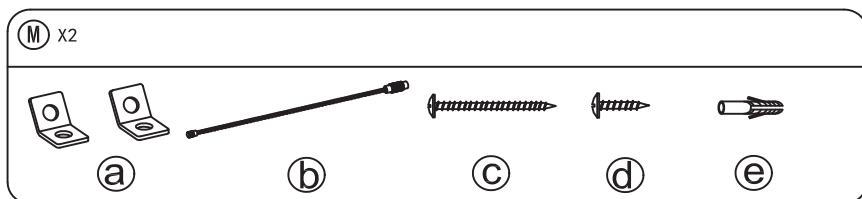
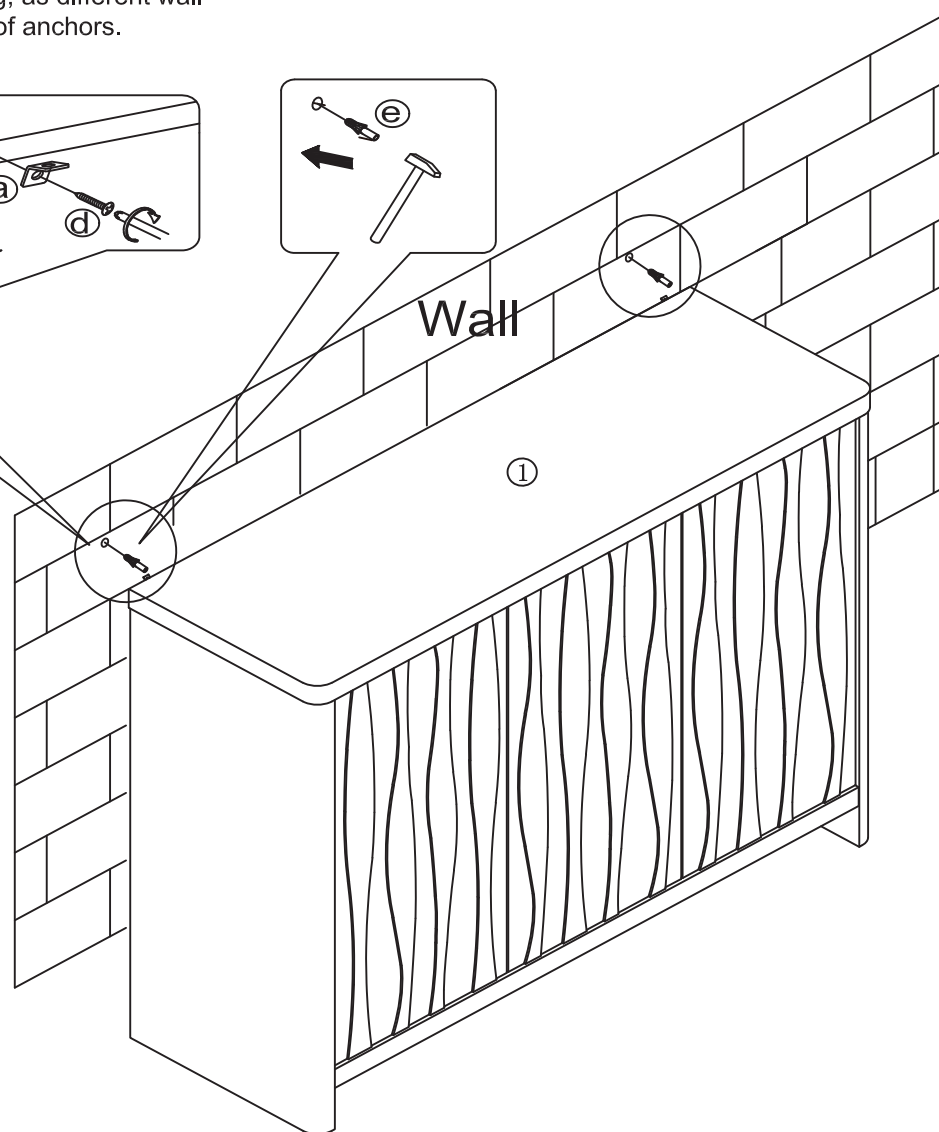
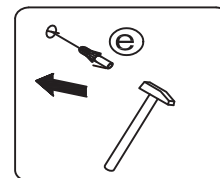
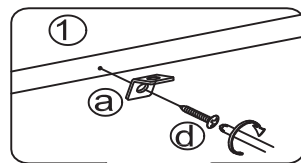
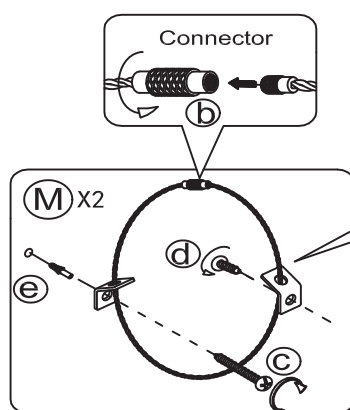
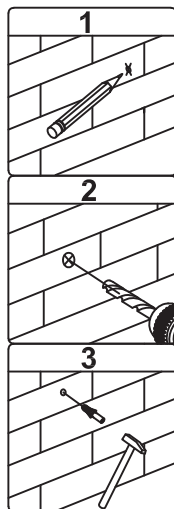
Step 12



Step 13

WARNING

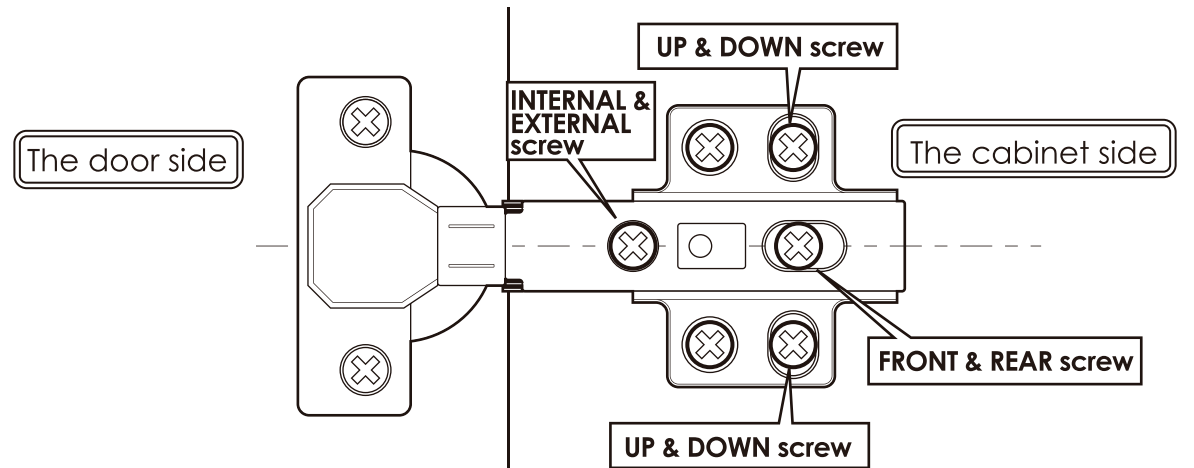
Serious or fatal injuries can occur from furniture tipping over. To prevent the furniture from tipping over we recommend that it is permanently fixed to the wall. Wall anchor and hardware are included with this product. Please make sure hardware is suitable for your walls before installing, as different wall materials may require different types of anchors.



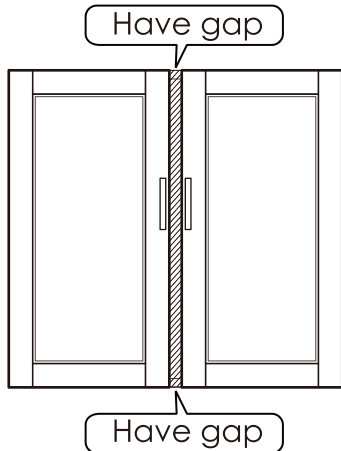
Adjusting the door

- Before adjusting the hinge, please check whether the cabinet is skewed.
- If the skew can not be repaired, please remove the anti-tipping device first, then adjust the cabinet to vertical position.
- Please adjust the hinge with the door open.
- Please operate it with more than 2 people, one person holds the door and the other one adjusts the screw.

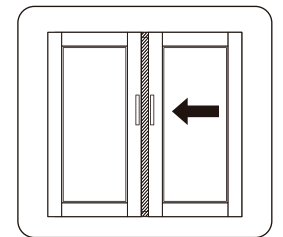
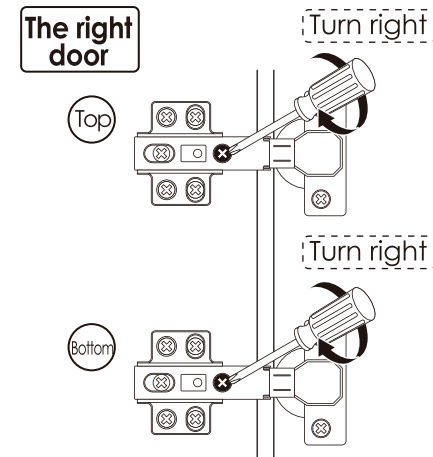
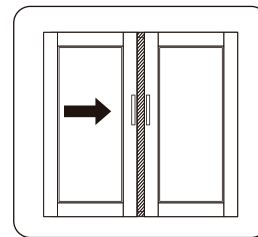
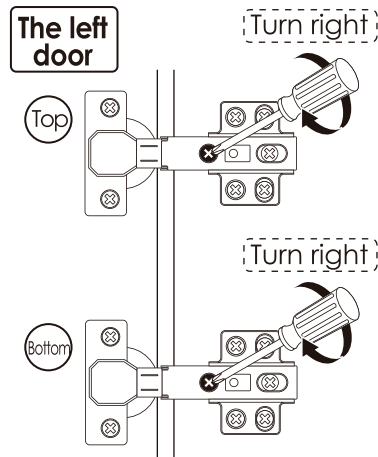
Components Name



Obvious gaps between doors or Doors don't look closed



1 Turn "internal & external screw" to the right can make the door approach inside. Please adjust the doors little by little.



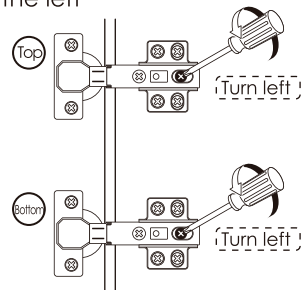
※ If the 2 doors are overlap, please turn the "internal & external screw" to the left.

When door is crooked



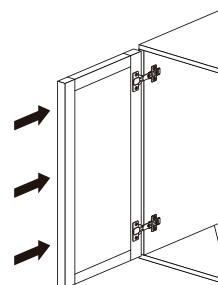
Please take the following steps to adjust first.

- 1 Rotate the "front and rear screws" to the left

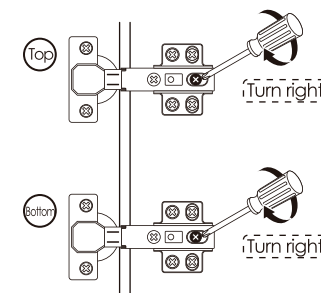


※ After adjusting the "front and rear screw", the door still does not change, please turn the "internal & external screw" to the right Slightly.

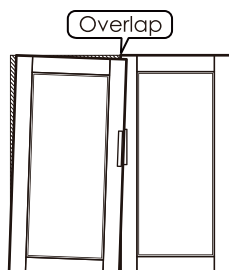
- 2 Push the door to the cabinet



- 3 Rotate the "front and rear screws" to the right

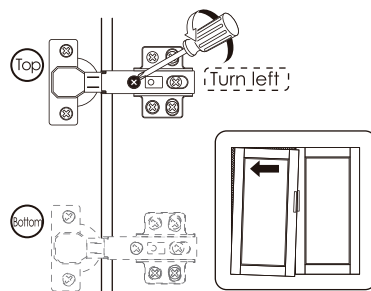


When door is leaning

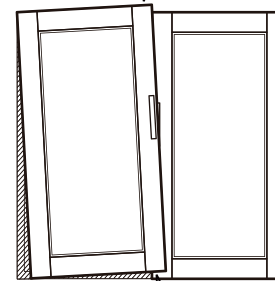


Protruding to the underside

- 1 Turn "internal & external screw" to the left can make the top of the door tilted outward.

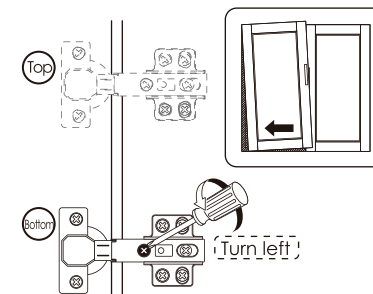


Protruding to the upside

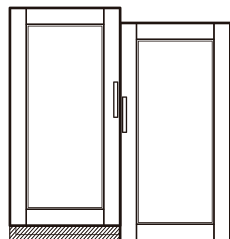


Overlap

- 1 Turn "internal & external screw" to the left can make the bottom of the door tilted outward.

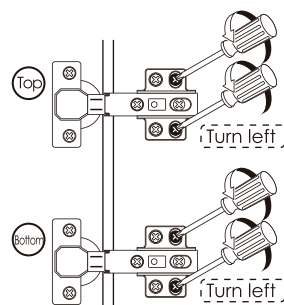


When the door is higher on top

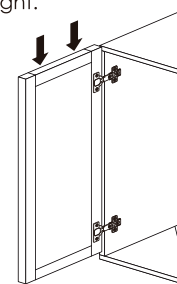


Have gap

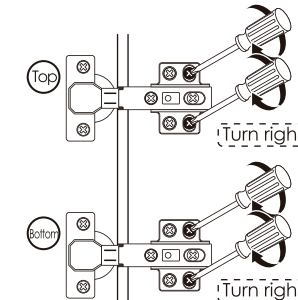
- 1 Turn "up & down screw" to the left



- 2 Lower the door's height so that 2 doors are of the same height.

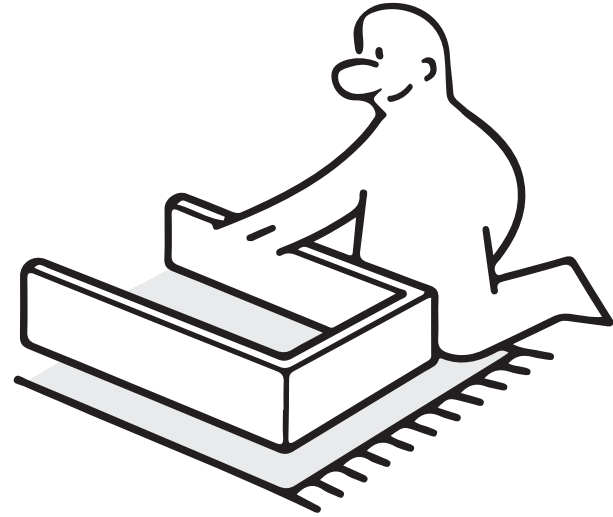
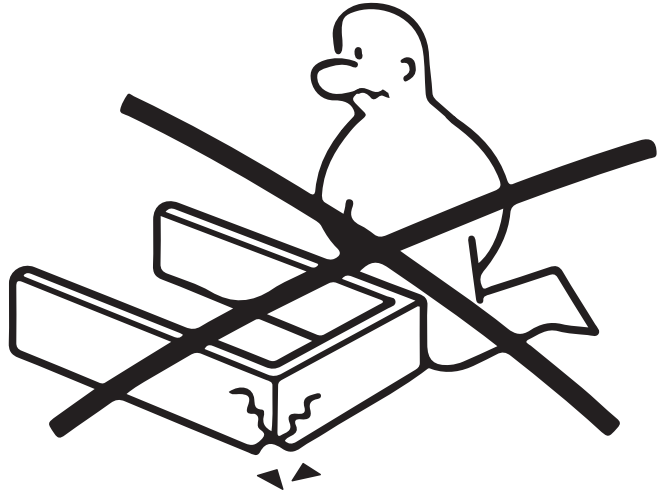


- 3 Turn "up & down screw" to the right



※ If the door is lower on bottom, please lift up the left door slightly on step 2

※ **Stay Scratch-Free: Safeguard Your Furniture by Assembling on Carpet.**



※ **Stuck in Assembly Limbo? Check out our website or contact our support team for quick solutions!**

