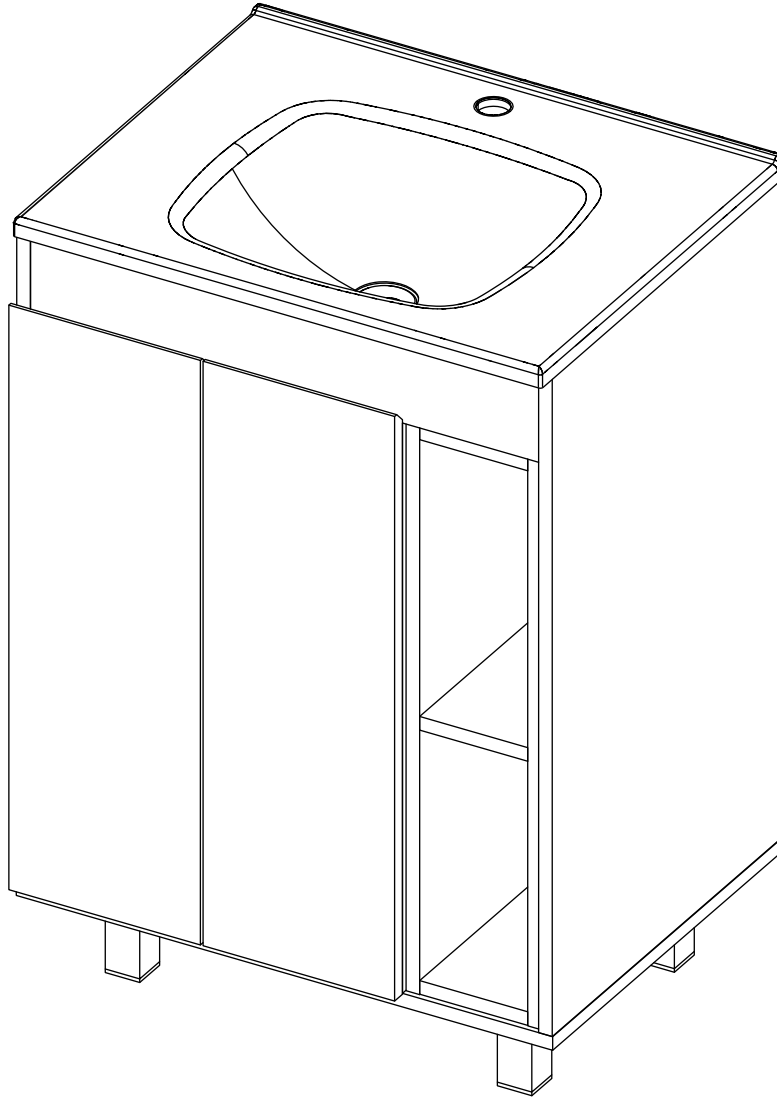


ASSEMBLY INSTRUCTIONS



Height: 34 in Alto: 86,4 cm
Width: 23,82 in Ancho: 60,5 cm
Depth: 17,91 in Fondo: 45,5 cm

LOT N°

**IF ANY PARTS ARE BROKEN OR
MISSING PLEASE CONTACT US**

**OUR CUSTOMER SERVICE TEAM WILL PROVIDE
YOU HELP TO RESOLVE ANY ISSUES IMMEDIATELY**

**24 MEKA VANITY
MUEBLE DE BAÑO
MEKA 24 A PISO**



IMPORTANT RECOMMENDATIONS

Do not paint the cabinet.

The cabinet **MUST** be used exclusively indoors, do not expose to direct sun.

Clean metallic hardware with a dry cloth.

Do **NOT** overload the cabinet (see suggested loads).

Do not hit or hammer the cabinet (just when indicated).

Clean with a slightly damp cloth, use gentle soaps.

Do not drag, lift and move between two people.

Avoid direct contact with water, fire or exposure to heat sources.

RECOMENDACIONES IMPORTANTES

No pintar el mueble.

El mueble debe ser usado únicamente en interiores, no exponer al sol directo.

Limpiar los herrajes metálicos con un paño seco.

NO sobrecargar el mueble (ver las cargas sugeridas).

No golpear ni martillar el mueble (solo cuando se indique).

Limpiar con un paño ligeramente húmedo, usar jabones suaves.

No arrastre el mueble, levántelo entre dos personas.

Evite el contacto directo con el agua, el fuego o la exposición a fuentes de calor.



WARNING

Never allow children to climb or manipulate the cabinet, furniture tip over can cause serious injuries or death.



ADVERTENCIA

Nunca permita que los niños escalen o manipulen el mueble, la caída de este puede provocar lesiones graves o la muerte.

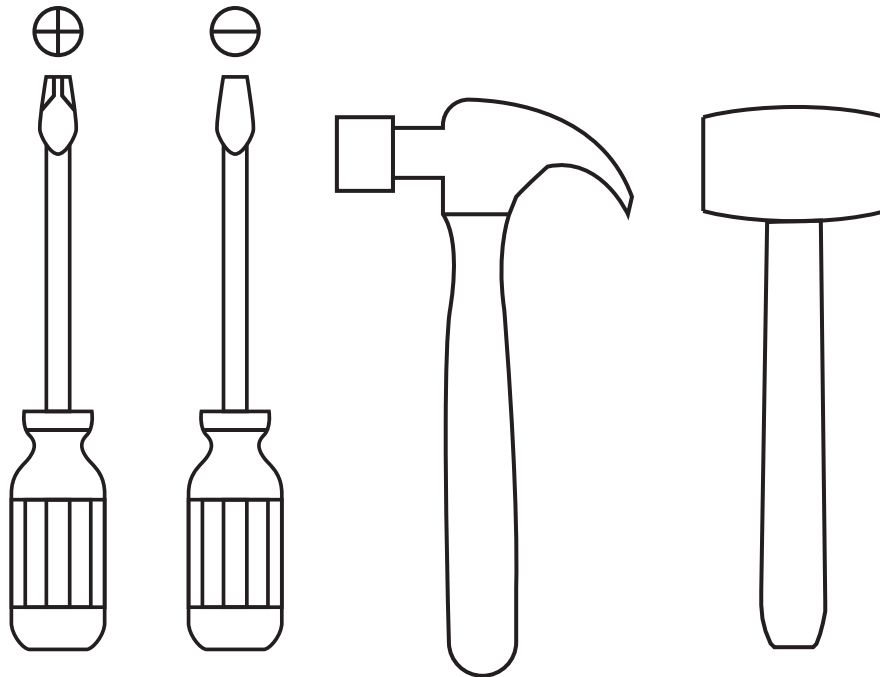
INDEX

ÍNDICE

Assembly Hardware	4	Herrajes para Armado.....	4
Assembly Parts	5	Piezas de Armado.....	5
Suggested Loads.....	6	Cargas Sugeridas.....	6
Assembly Recommendations.....	6	Recomendaciones de Ensamble.....	6
Assembly Steps	7-20	Pasos de Armado.....	7-20
Warranty.....	21	Garantía	21

REQUIRED TOOLS*

HERRAMIENTAS NECESARIAS*



*Not included, and not shown actual size.

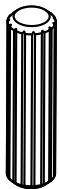
*No incluidas y no se muestran en tamaño real.

ASSEMBLY HARDWARE

HERRAJES PARA ARMADO

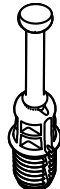
Please check that the hardware content is correct. If any item is missing, please call to our customer service line.

Compruebe que el contenido de los herrajes sea el correcto. En caso de que falte alguna pieza, por favor llame a nuestra línea de atención al cliente.



x26

Wood Dowel
Tarugo



x28

Spreading Bolt
Perno Minifix



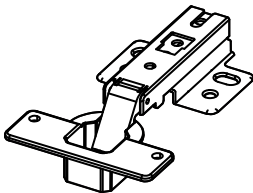
x28

Minifix Cam
Minifix



x30

Cover Cap
Tapa Adhesiva
Minifix



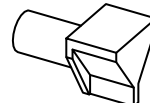
x4

Full Overlay Hinge
(Screws Included)
Bisagra Parche
(Incluye tornillos)



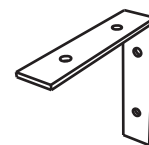
x24

Flat Head Screw
Tornillo Lámina



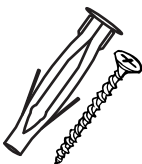
x1

Mobile Shelf
Support
Soporte Entrepáño
Movil



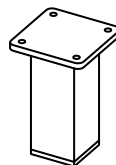
x2

Corner Brace
Platina en ángulo L
Cantonera



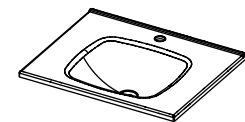
x2

Wall Anchor +
Drywall Screw
Chazo Mariposa +
Tornillo Ensamble



x4

Leg
Pata



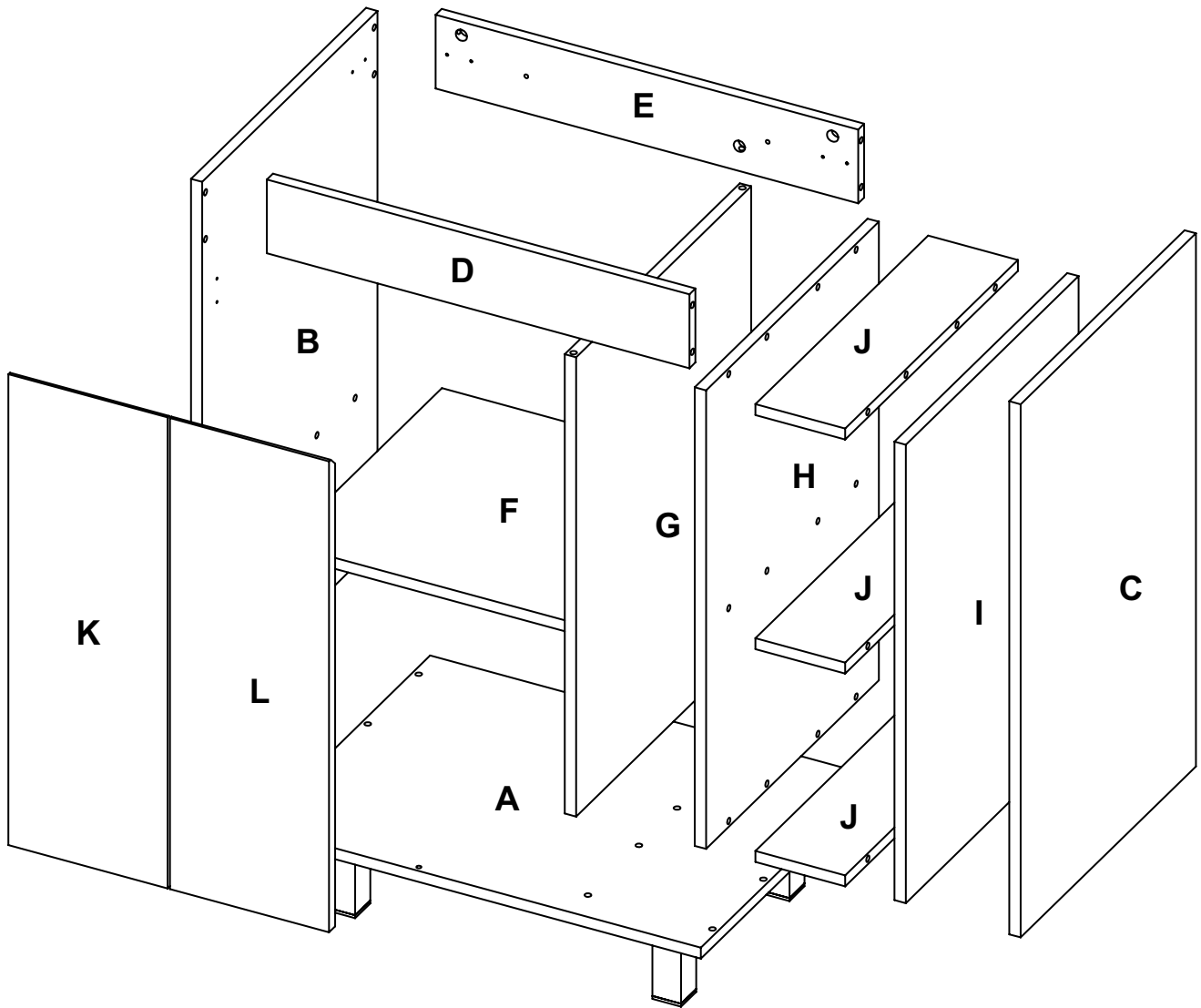
x1

Sink
Lavamanos

Hardware items are NOT shown actual size.

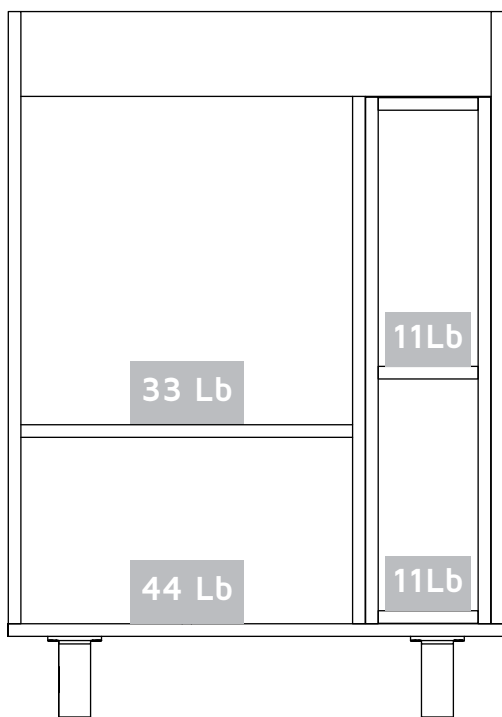
Los herrajes no se muestran en el tamaño real.

ASSEMBLY PARTS



A - x1	E - x1	I - x1
B - x1	F - x1	J - x3
C - x1	G - x1	K - x1
D - x1	H - x1	L - x1

MAX SUGGESTED LOADS



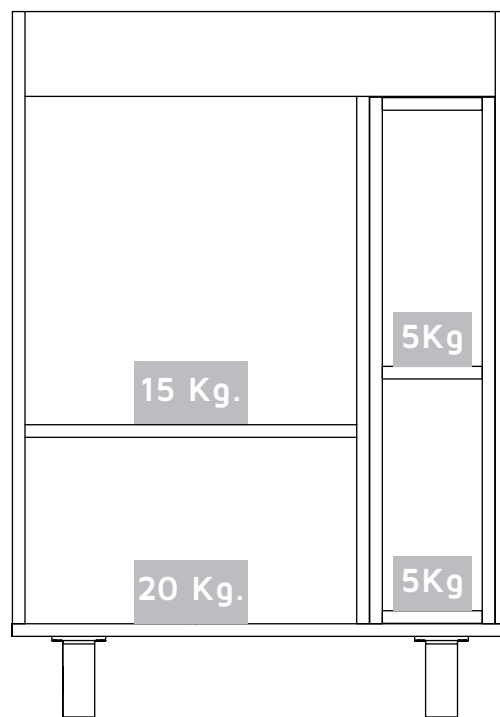
ASSEMBLY RECOMMENDATIONS

Two people are recommended to assemble the product.

Assemble the cabinet on a flat, smooth surface, preferably on a carpeted floor or the carton box of the product.

Carefully read the assembly instructions and identify every wood and hardware part before start assembling the cabinet.

CARGAS MÁXIMAS SUGERIDAS



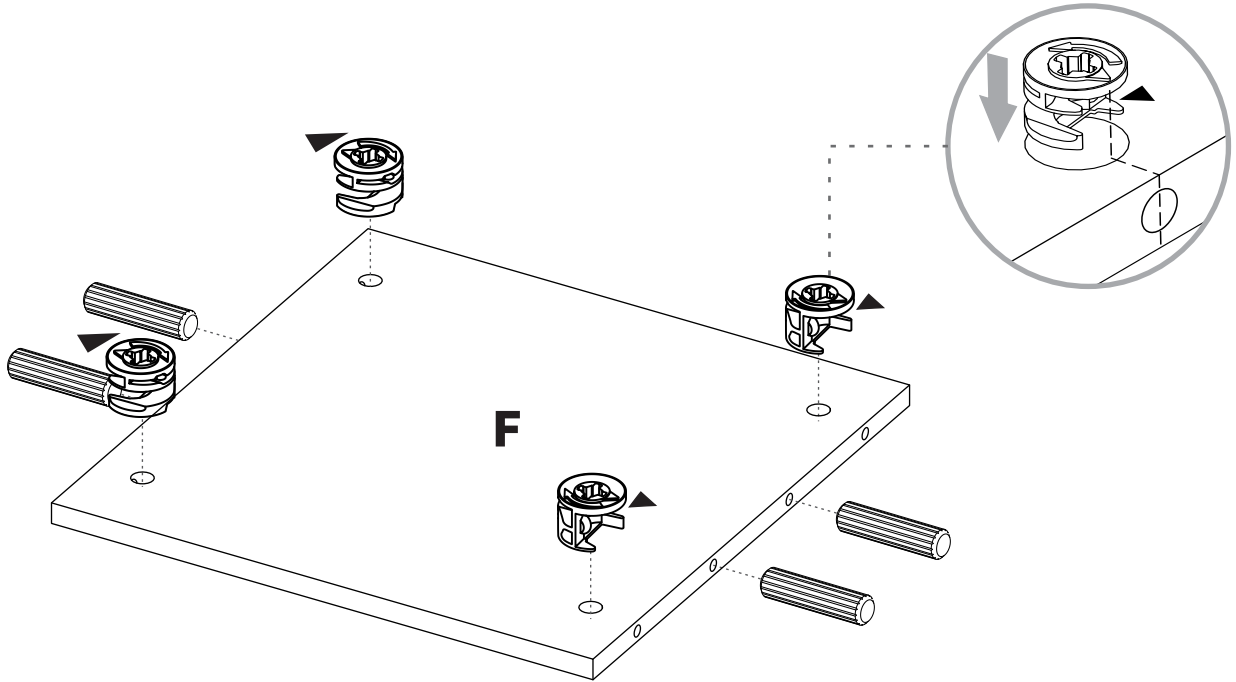
RECOMENDACIONES DE ENSAMBLE

Ensamble el mueble entre dos personas.

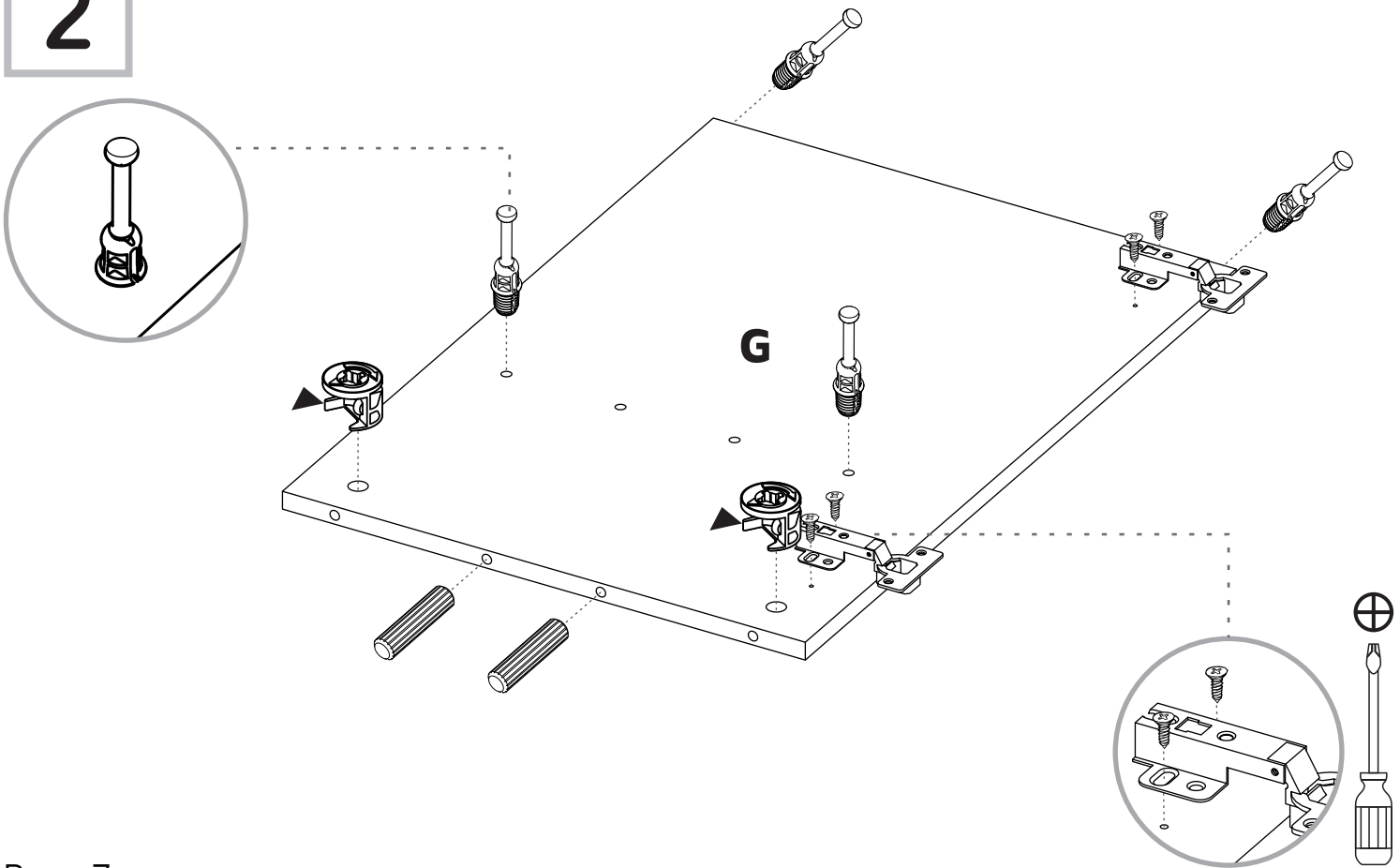
Ensamble el mueble sobre una superficie plana y lisa, preferiblemente sobre un tapete o el cartón de la caja

Lea cuidadosamente las instrucciones e identifique todas las piezas y herrajes antes de empezar a armar el mueble.

1

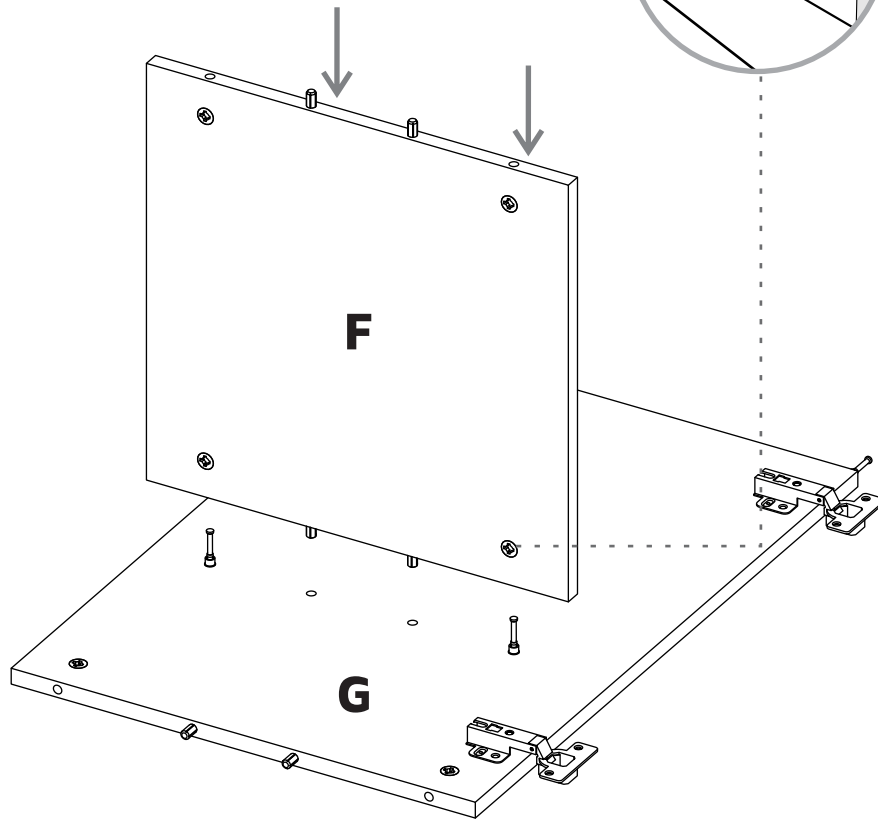
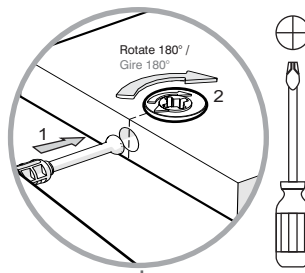


2

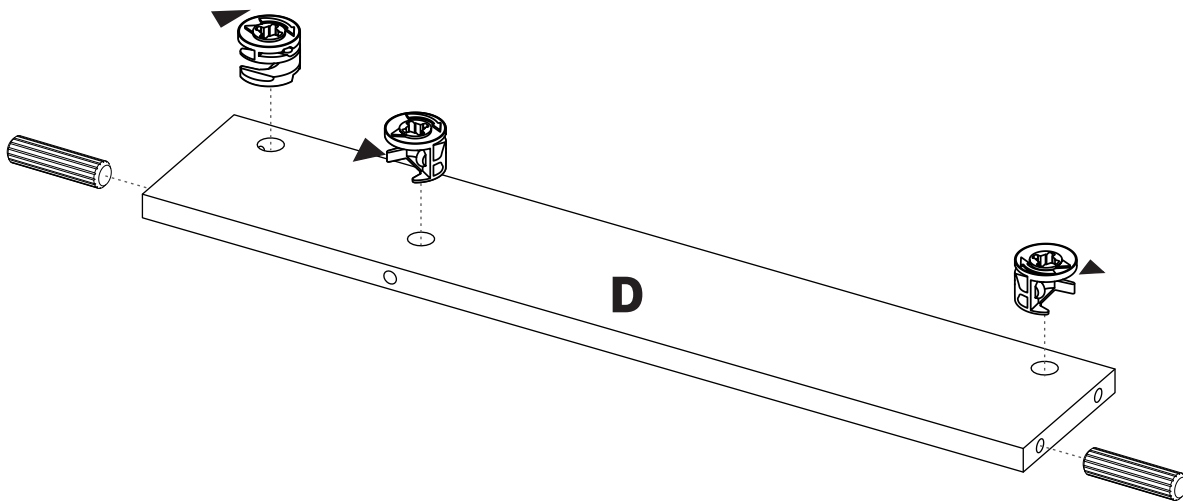


3

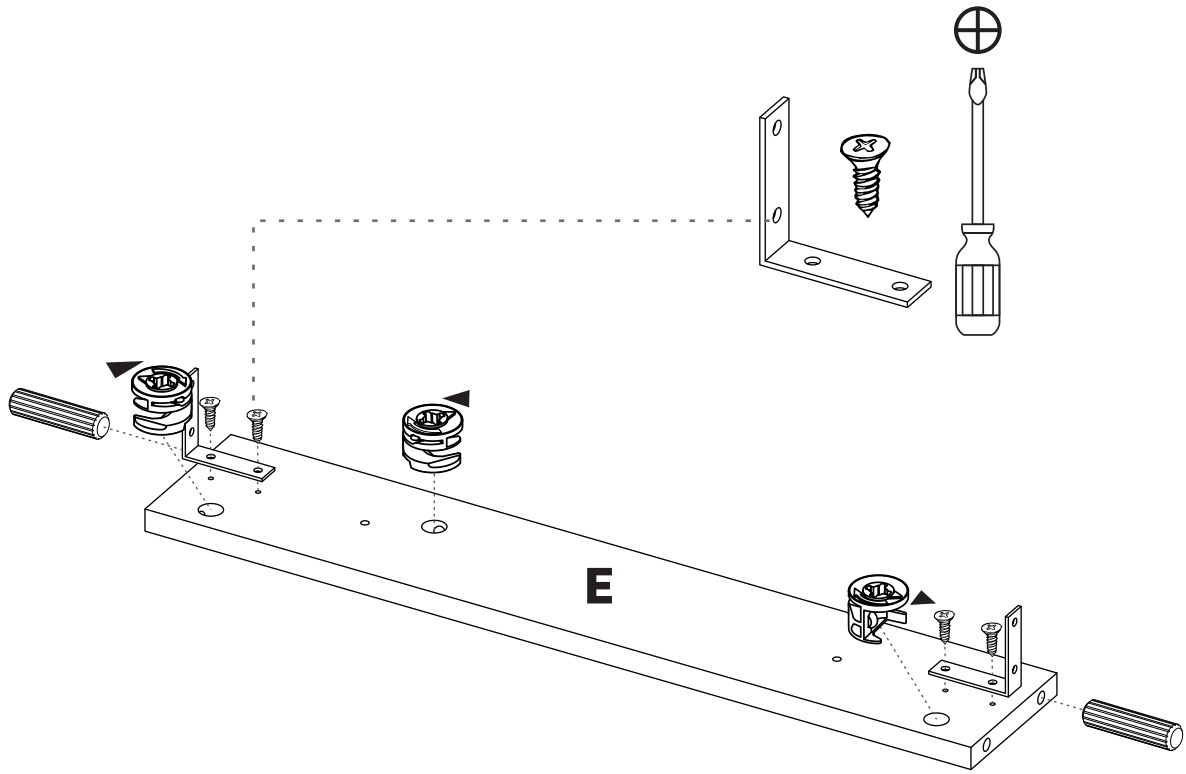
Turn minifix cams to the right to tighten.
Gire las cajas minifix hacia la derecha
para apretar las piezas.



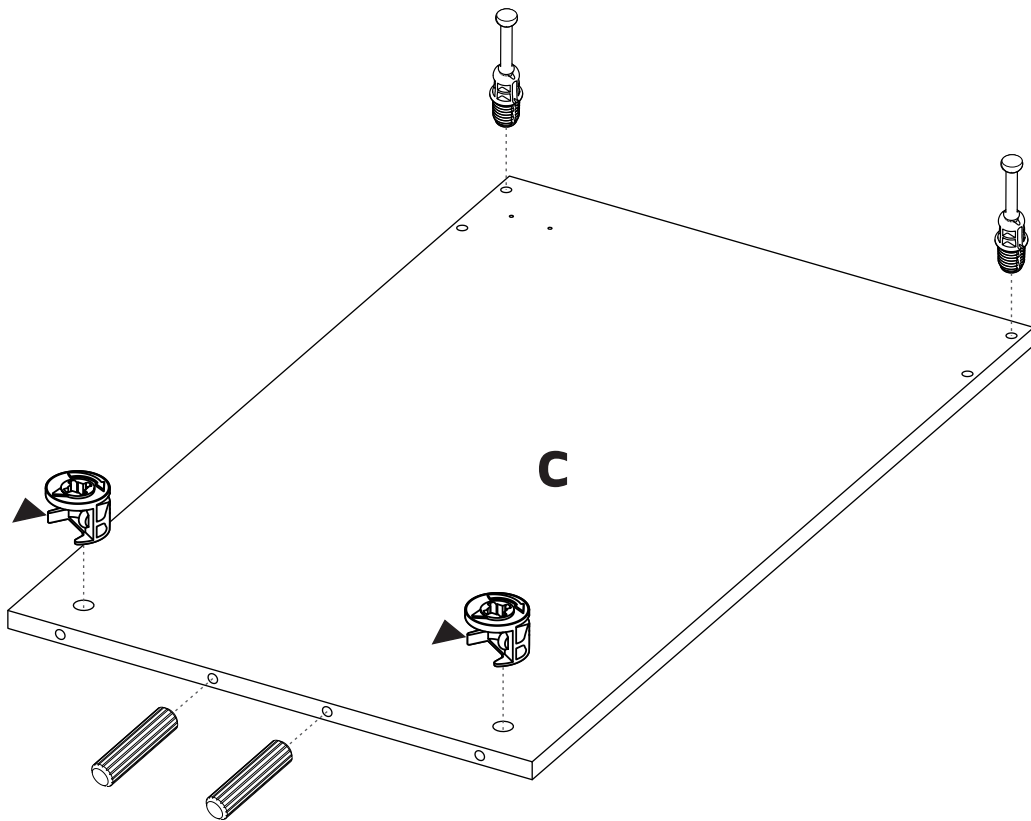
4



5

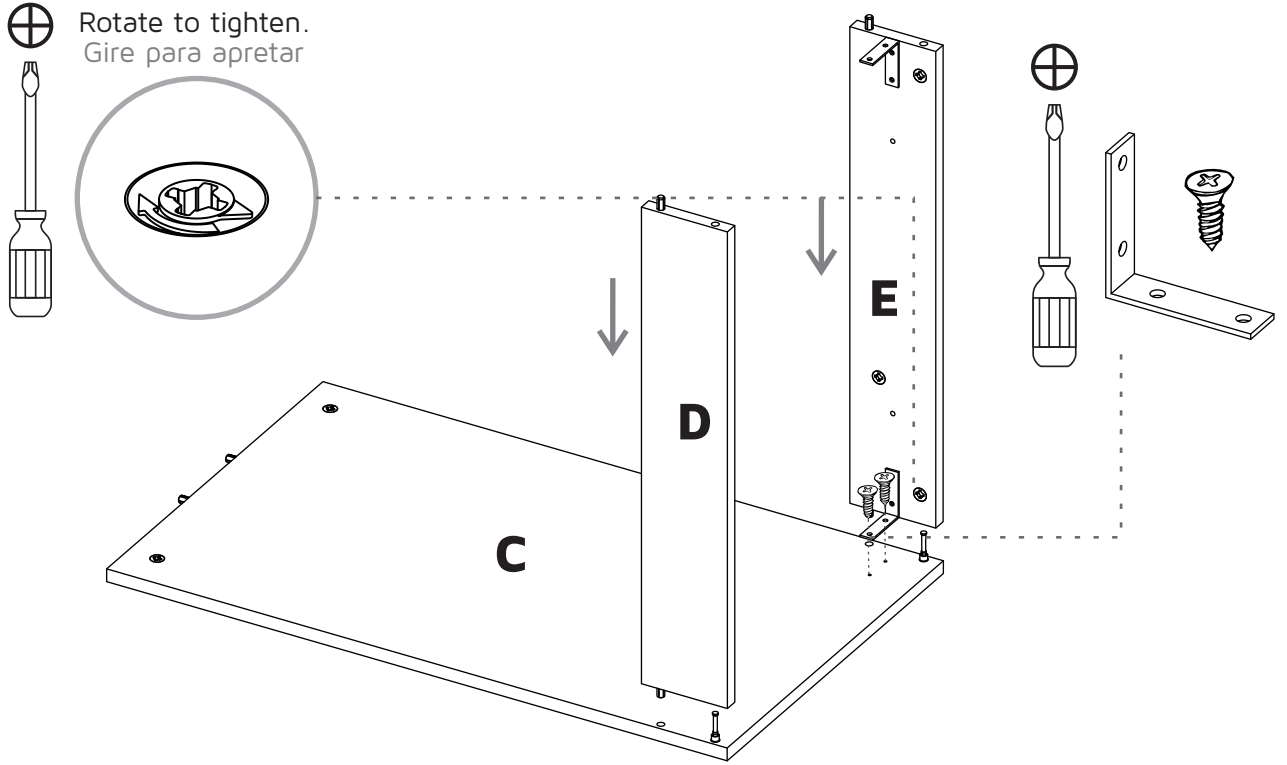


6



7

Rotate to tighten.
Gire para apretar

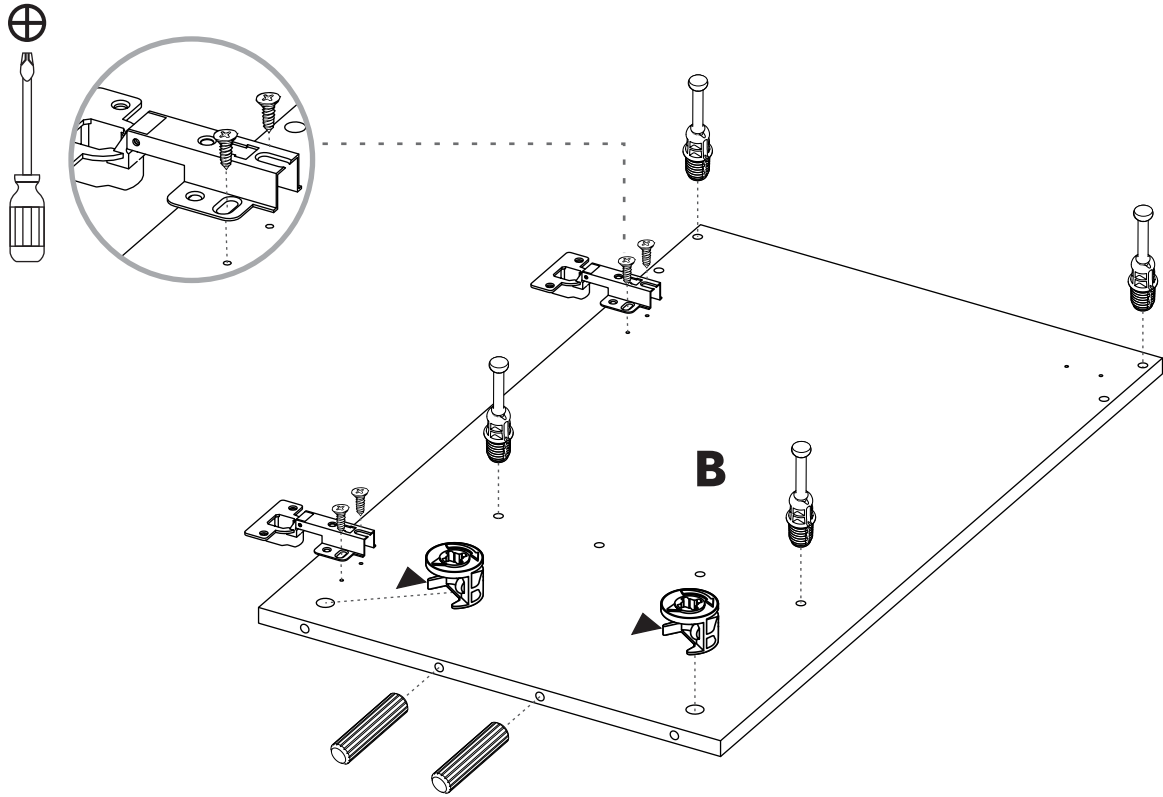


8

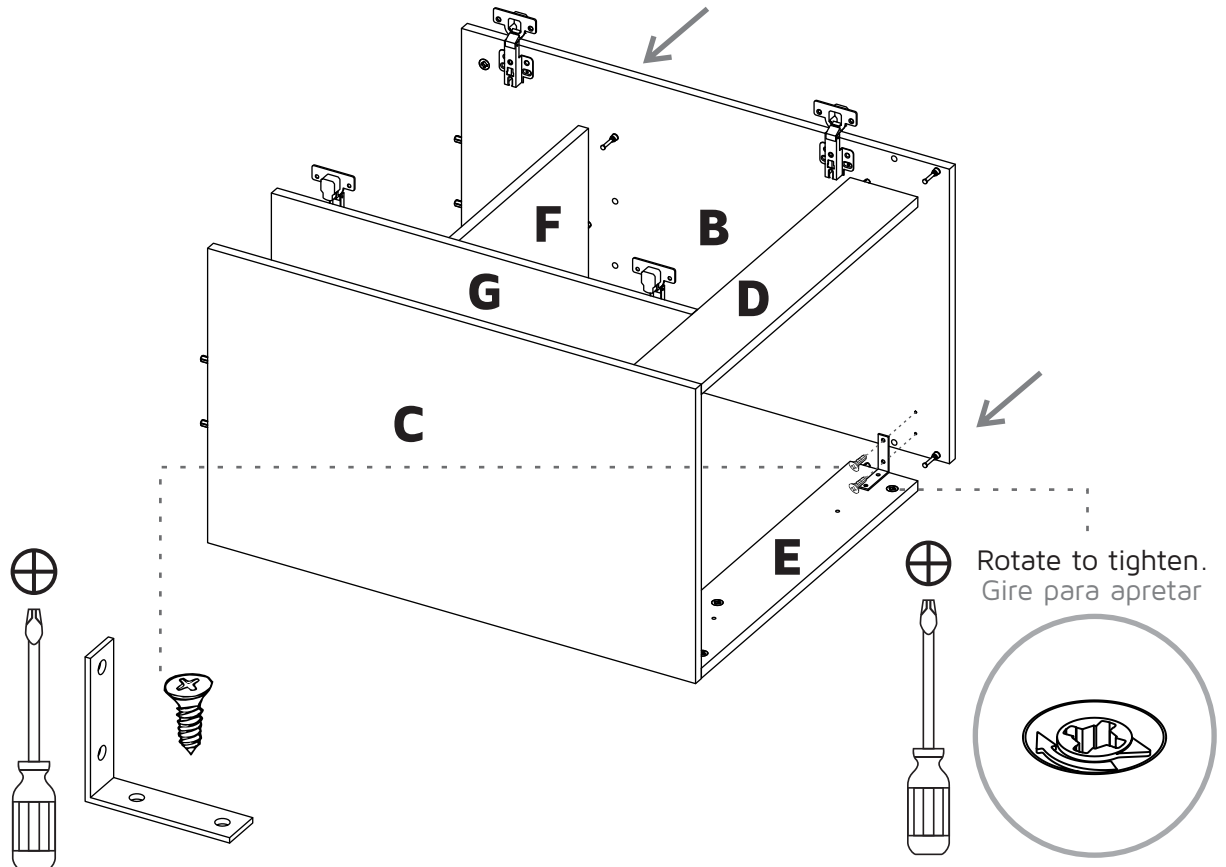
Rotate to tighten.
Gire para apretar



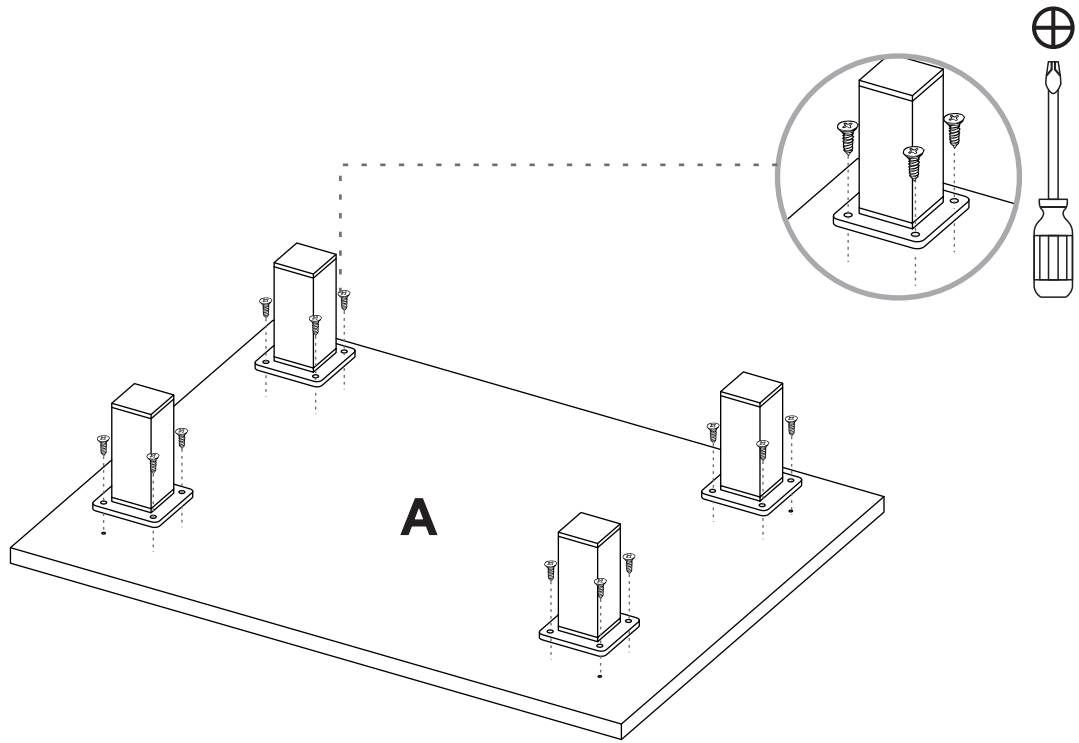
9



10

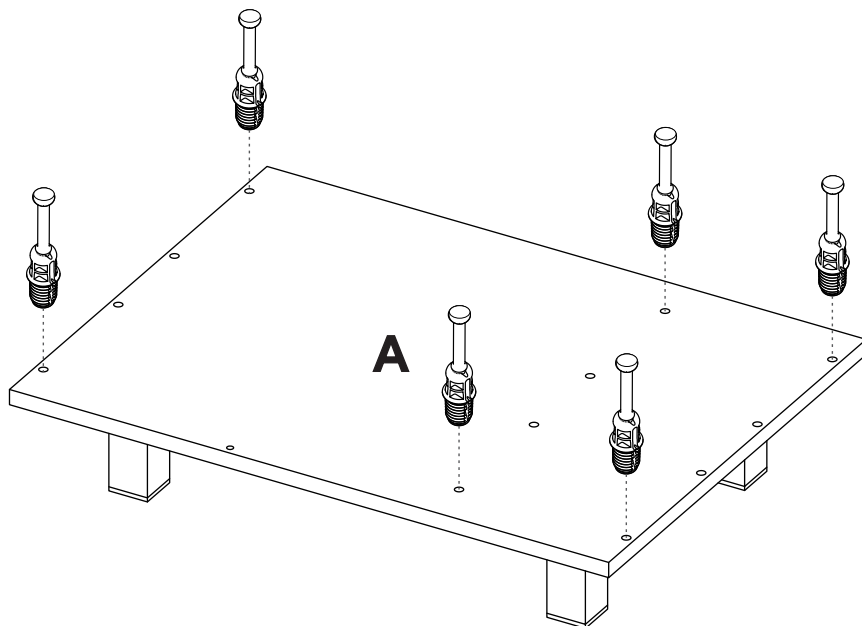


11



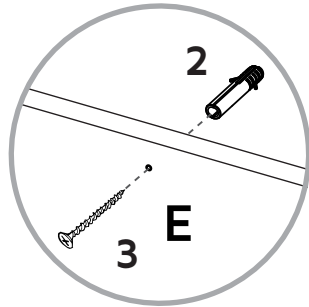
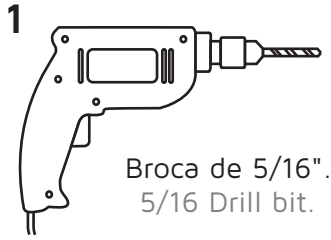
12

Turn Over
Volver

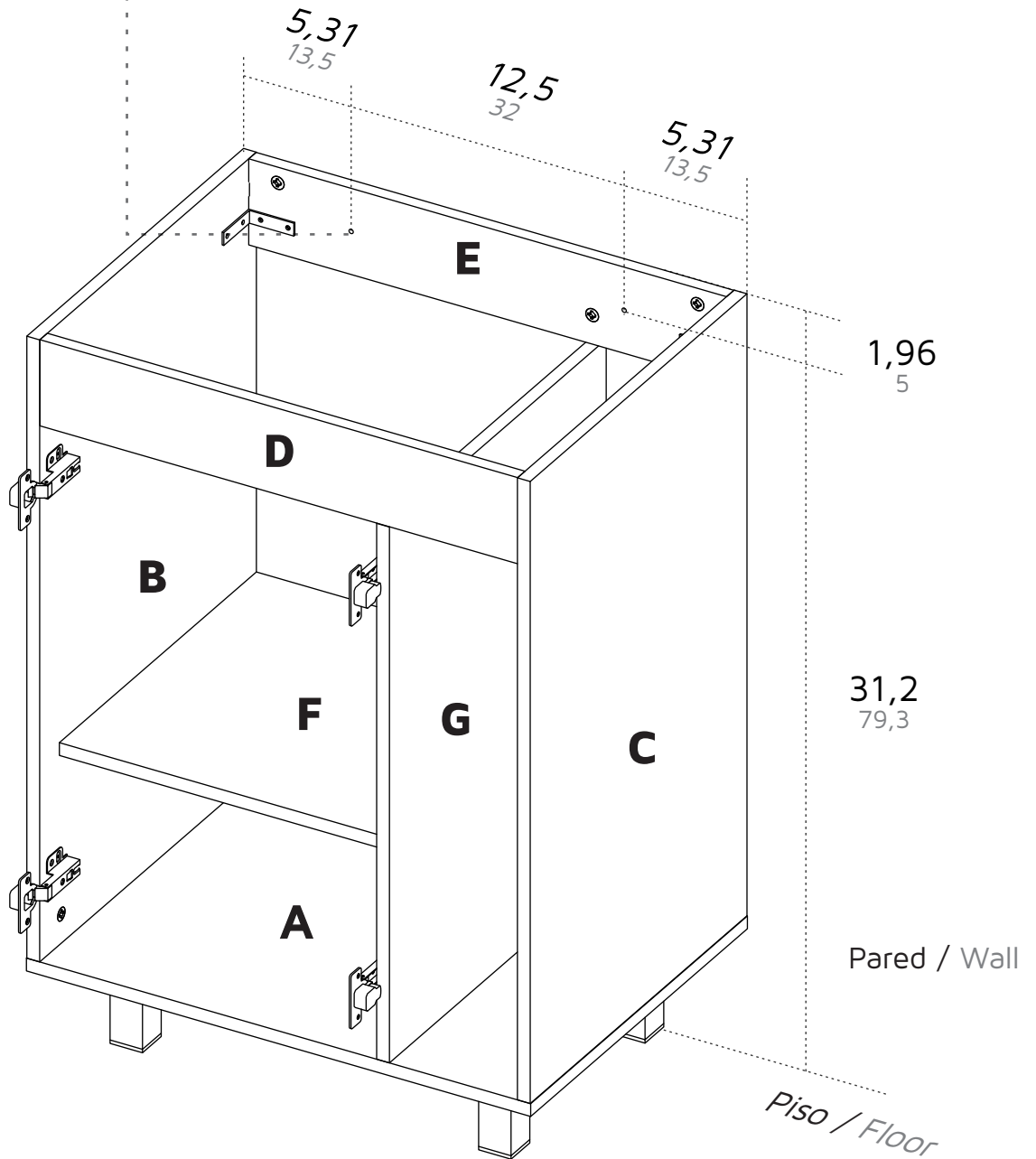


14

Fixing the cabinet to the wall I

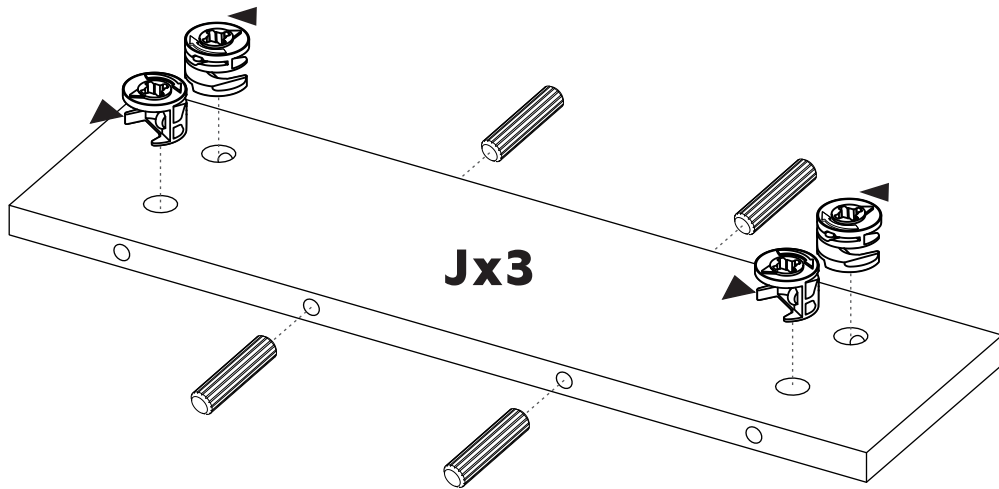


Pared / Wall

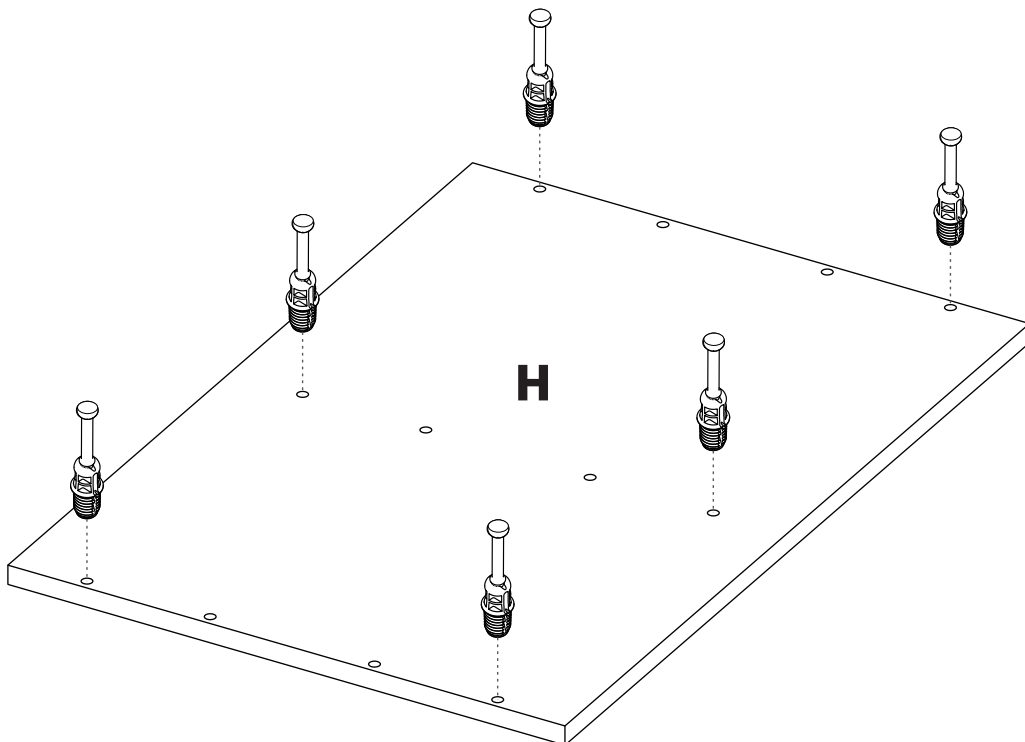


*Inches / Centímetros

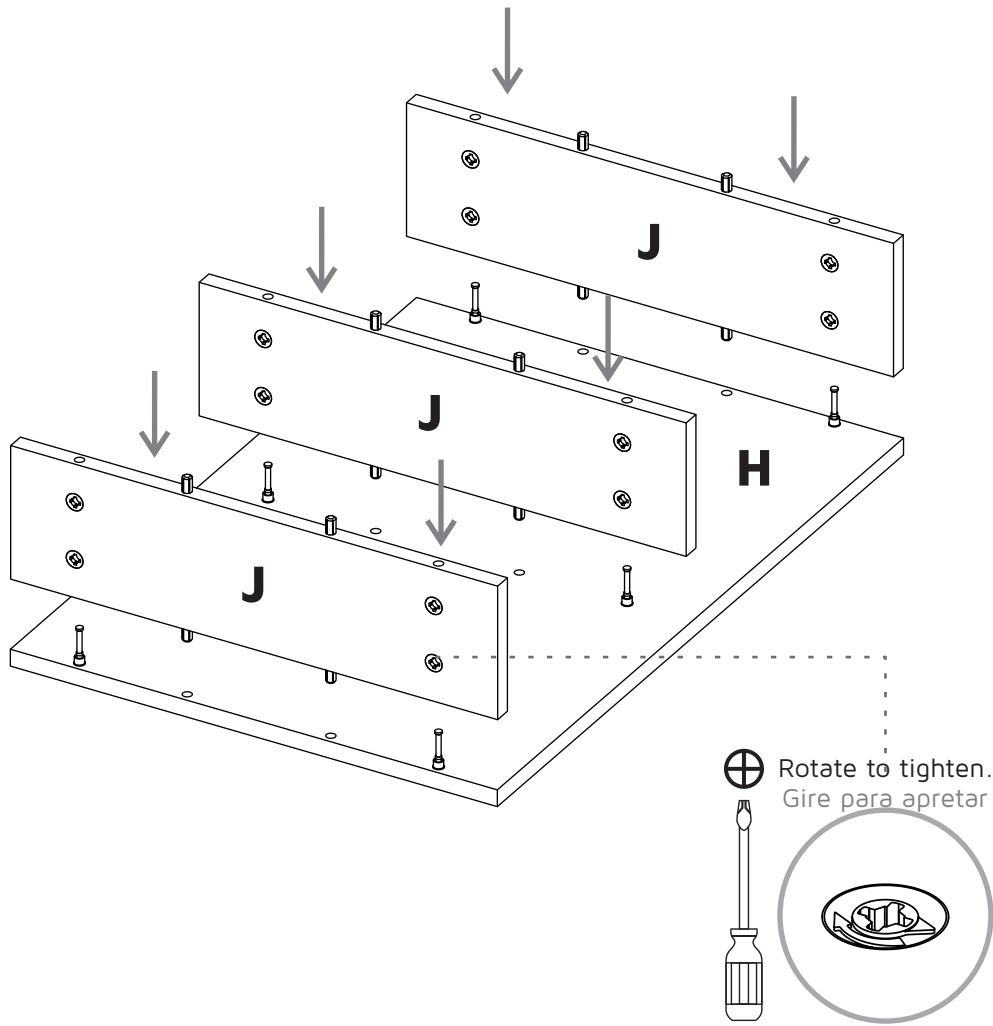
15



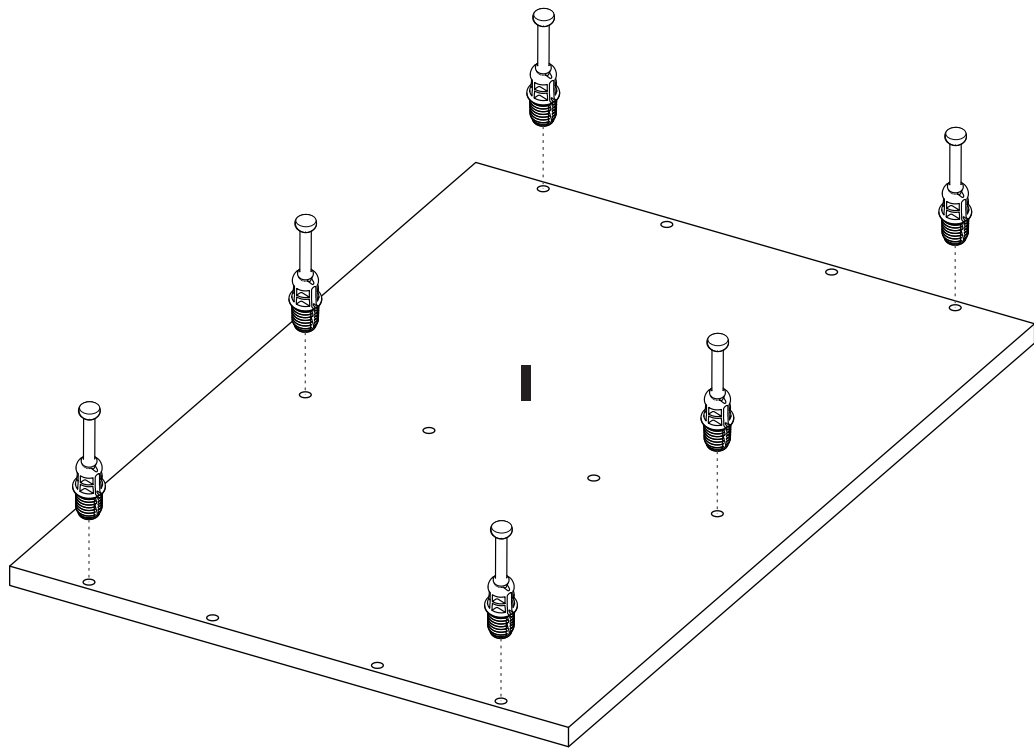
16

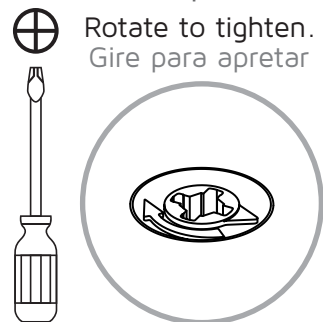
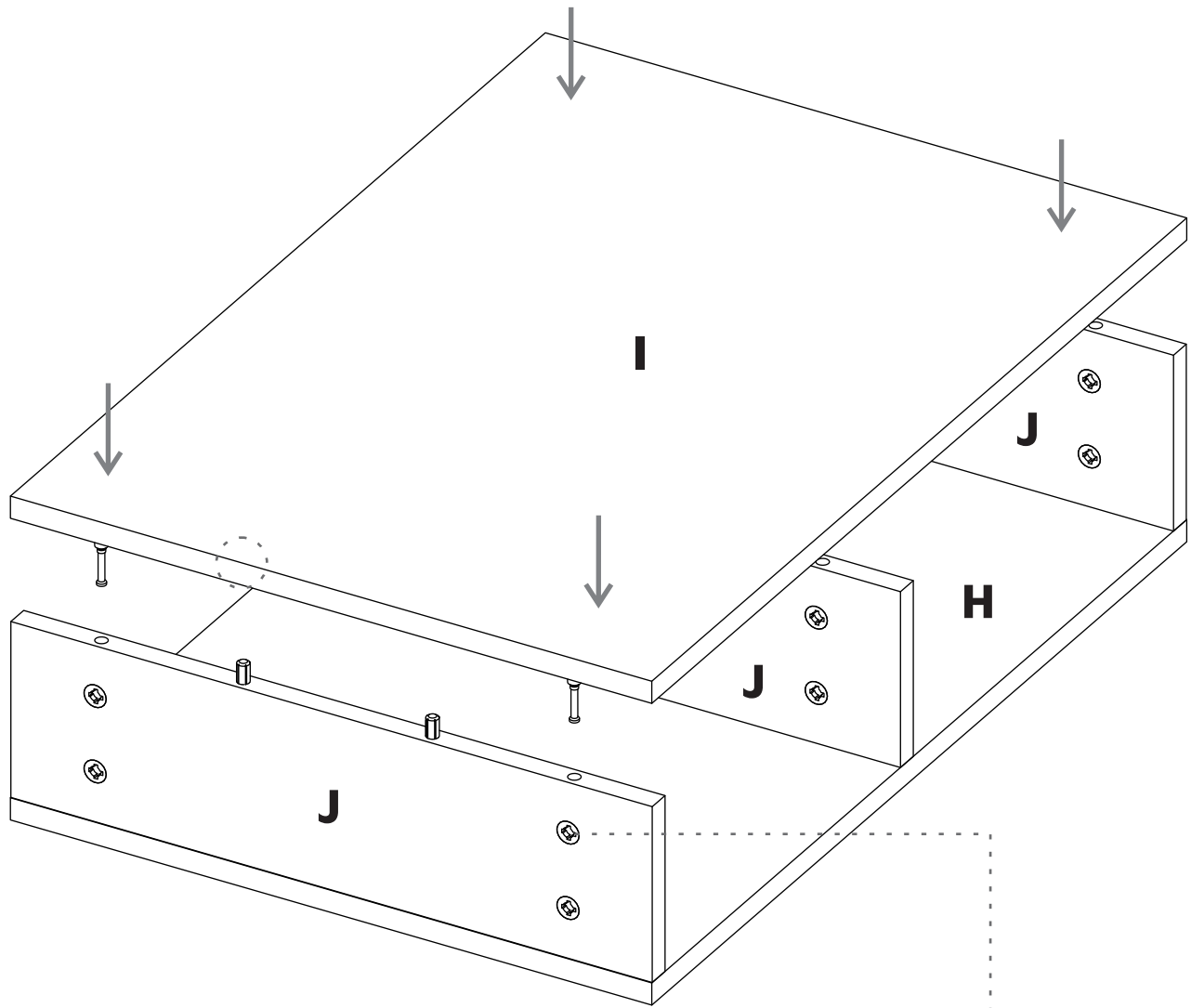


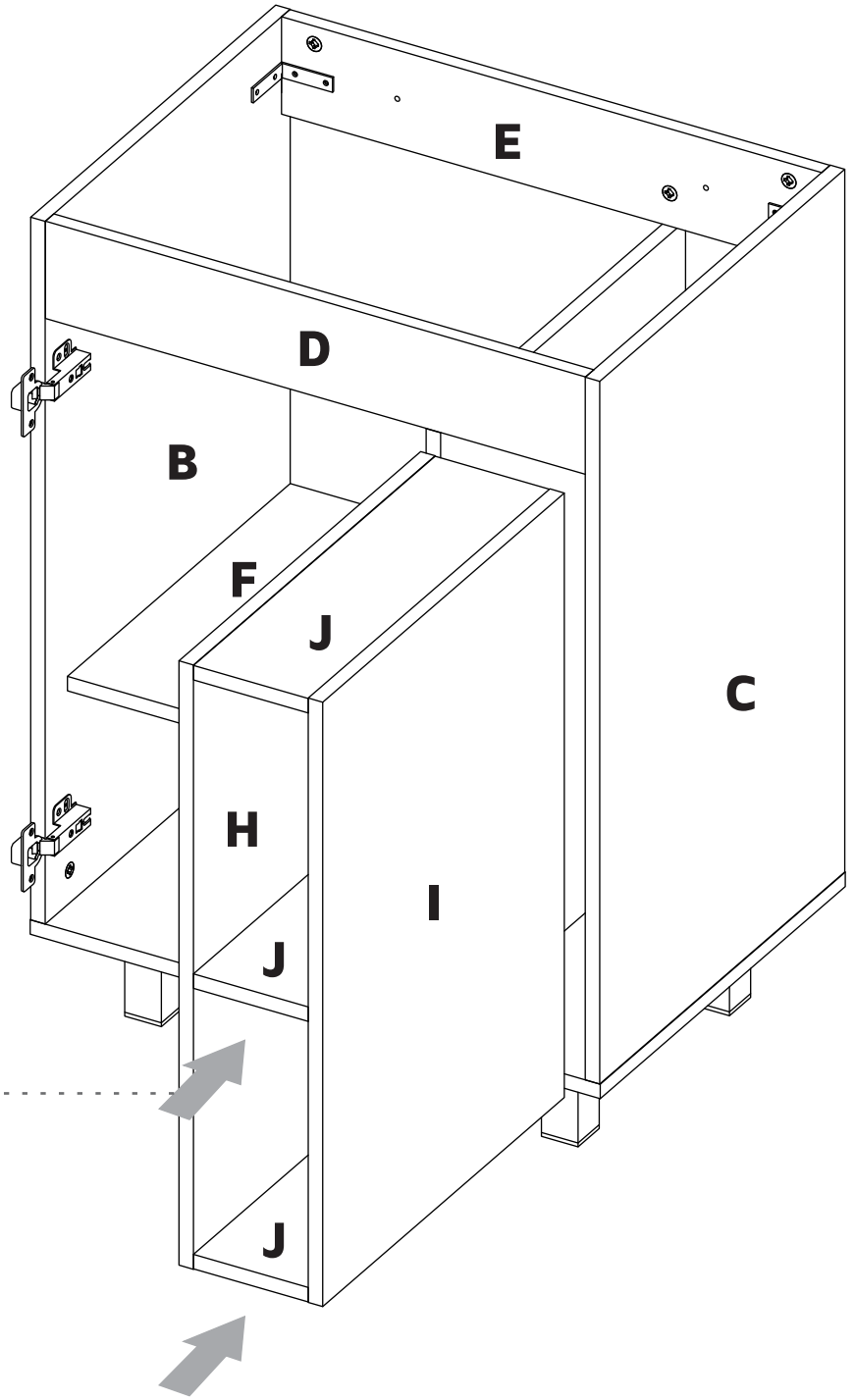
17



18



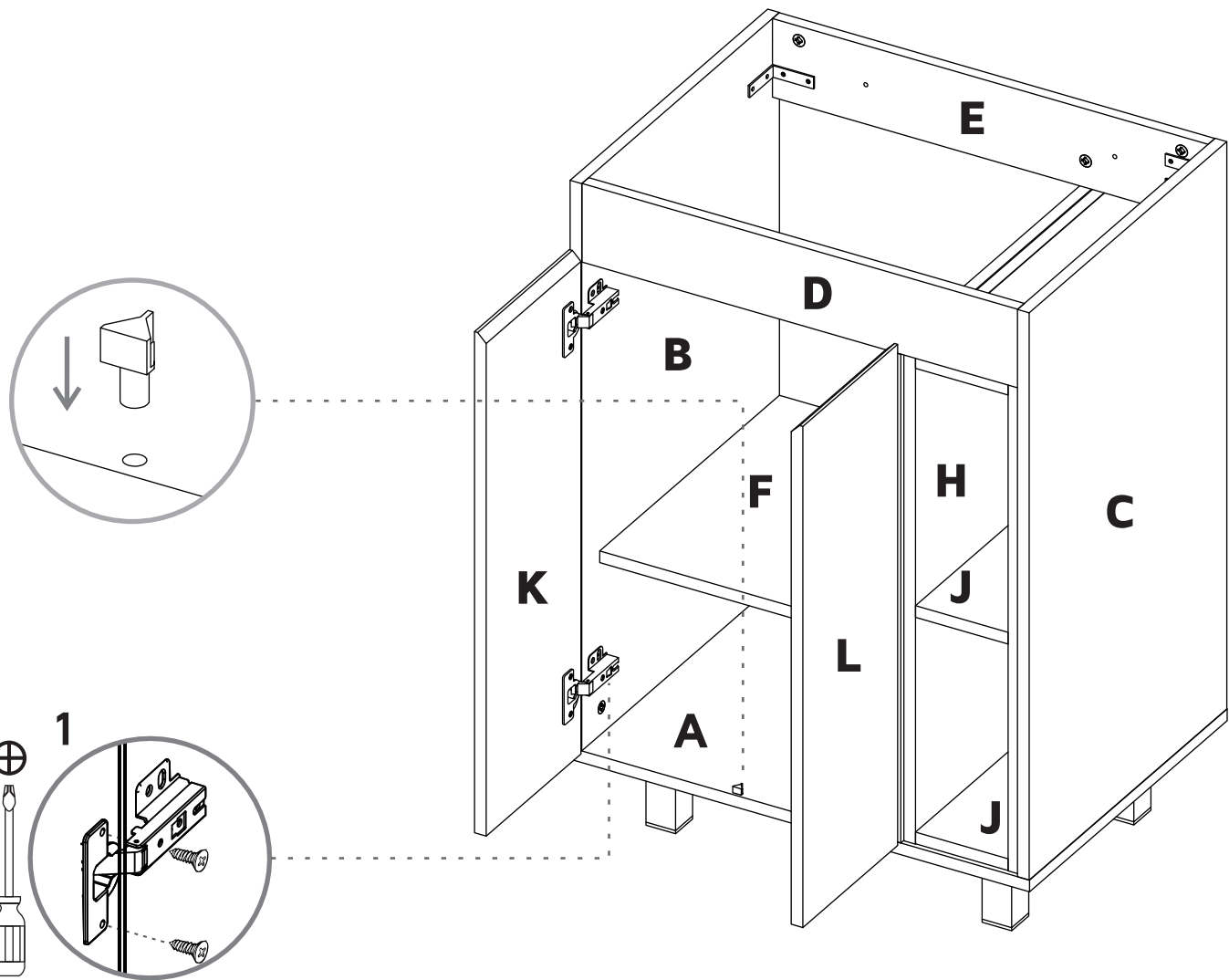




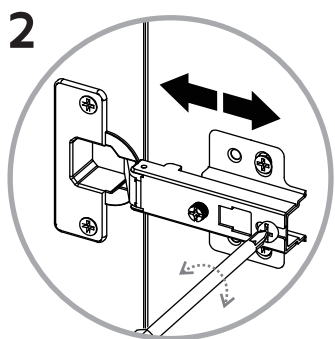
Slide inside
the cabinet
Deslice dentro
del mueble

21

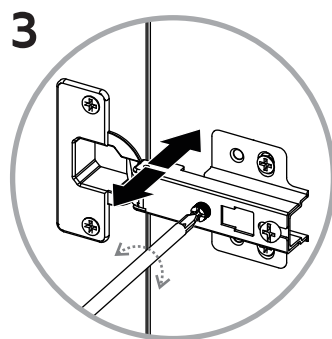
Door Installation



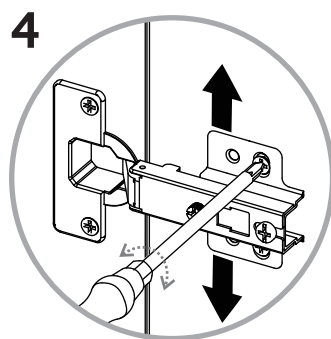
Hinge adjustment Ajuste de las bisagras



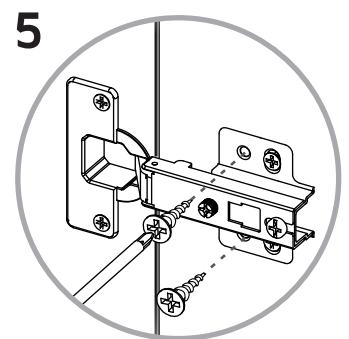
Depth adjustment
Ajuste de profundidad



Side adjustment
Ajuste lateral

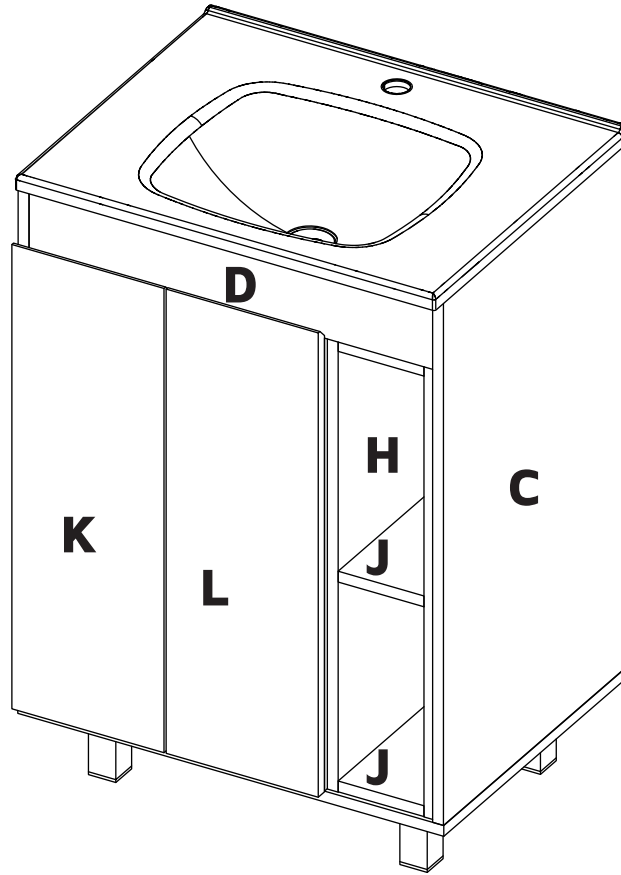


Height adjustment
Ajuste de altura



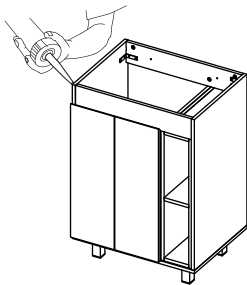
22

Sink Installation Instalación de lavamanos



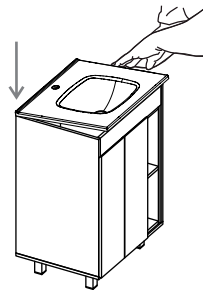
Tenga en cuenta la aplicación de silicona para asegurar el lavamanos al mueble, como se muestra a continuación: / Keep in mind to apply silicone to install the sink, as is explained below:

1. Limpie la superficie superior del mueble para eliminar la suciedad.



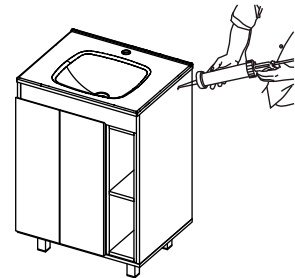
Clean the top and apply silicone

2. Ubique el lavamanos en el mueble

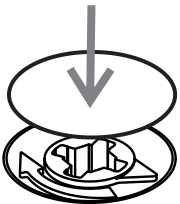


Place the sink on the vanity unit

3. Aplique una línea delgada de silicona alrededor de todos los bordes.



Apply silicone on the edges



After you finish the adjustment of the cams, cover them with the cover caps.

Después de ajustar todas las cajas minifix, cúbralas con las tapas adhesivas.

A

After you finish assembling the cabinet, take off the adhesive letters.

Al terminar de armar, desprenda las letras adhesivas.

WARRANTY POLICY

Furniture has a 3 year warranty coverage in wooden parts and 1 year warranty coverage in hardware pieces since its manufacturing date, which you can see in the lot number printed on the product box and the assembly instructions leaflet.

Warranty covers materials and workmanship imperfections which impair the assembly or correct functioning of the cabinet.

This warranty is not valid if the defects or imperfections are caused by the incorrect following of the assembly instructions, warnings and recommendations, misuse, intentional damage, fire or flood, or after modifications or any kind of alteration, or repaired by someone not authorized, when it's been assembled 3 months after the date of purchase. These defects **MUST** be reported before the warranty coverage period ends. Once the product has been assembled, the company will not be responsible for defective and/or damaged parts.

This warranty is **ONLY** valid for the **ORIGINAL PURCHASER**, it doesn't apply if the product has been resold, rented, etc.

Furniture will take no liability for incidental or consequential damages caused to or by the product (This may not apply in your state).

To make this warranty valid you must write to our customer service email describing the product defect, lot number and submitting your sales receipt or proof of purchase, or contact us at our customer service line. Replaced parts will be under the product's original warranty coverage period. Damaged parts will become property of the company.

There are no other warranties applicable to this product.