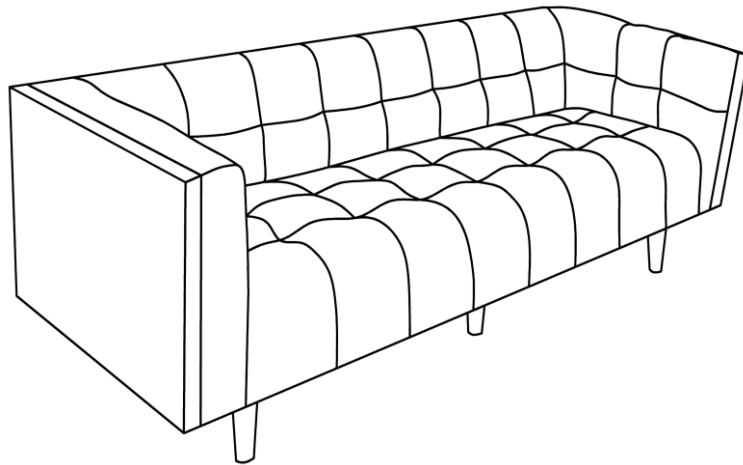


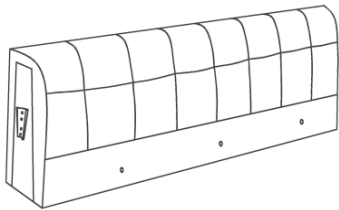
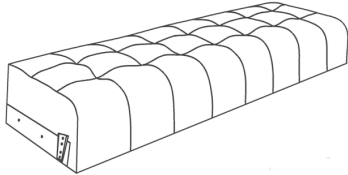
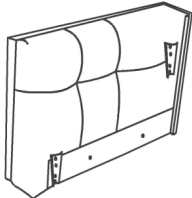
Assembly Instructions

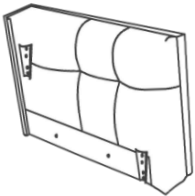

Caution: You must read this before you proceed

Sofa






Parts List

Label	Picture	Description	QTY(pc)
A		Backrest	1
B		Seat Base	1
C		Left Arm	1

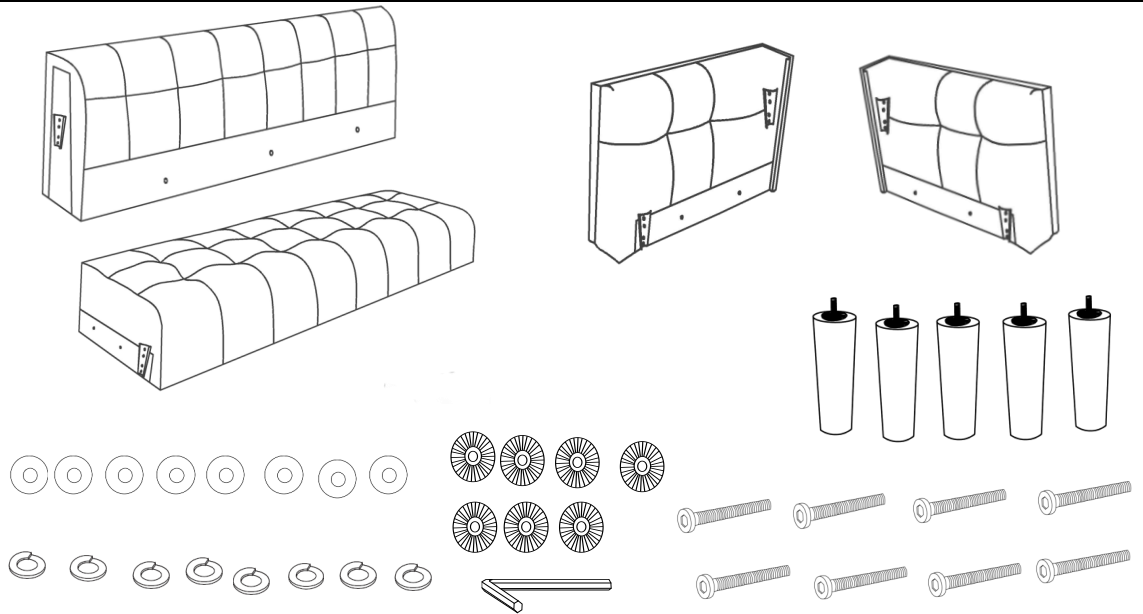
D		Right Arm	1
E		Leg with 1 Plastic Gasket	5

Hardware List

Label	Picture	Description	QTY
①		Plastic Gasket	7
②		Allen Key	1
③		Spring Ring	8
④		Flat Gasket	8
⑤		Bolt(M8*70mm)	8

Assembly Preparation

Before
Begining
Assembly:



- Read instructions, cover to cover-



- Have 2 adults on hand for assembly-



- Do not assemble on flooring or carpet-

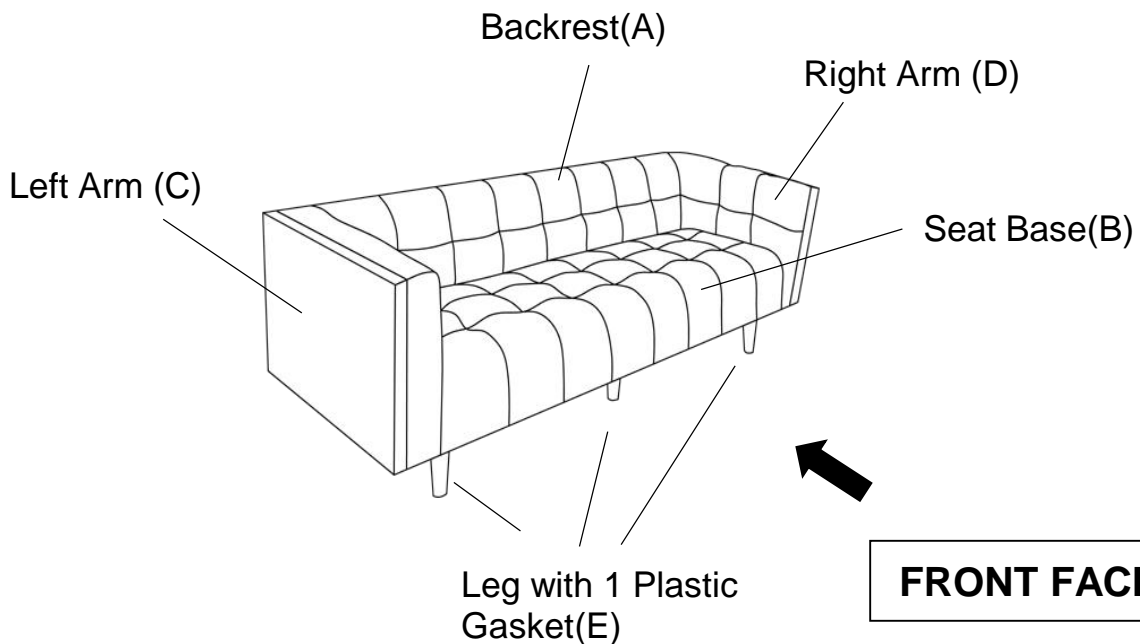


- Assemble on a clean non-marring surface (packing foam)-



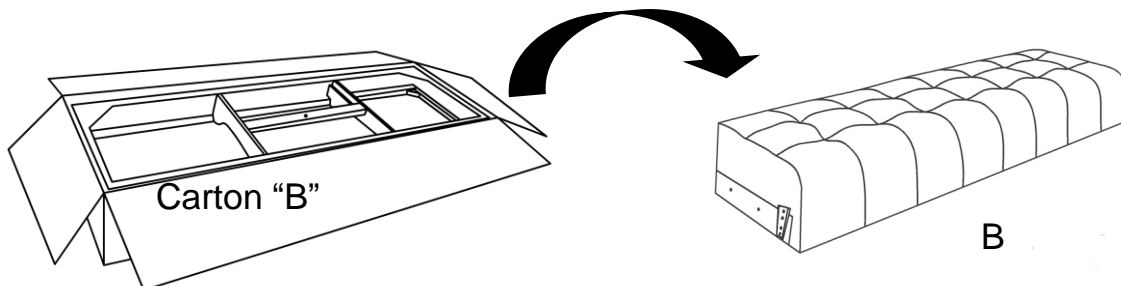
- Save all packaging until finished-

Assembly Steps



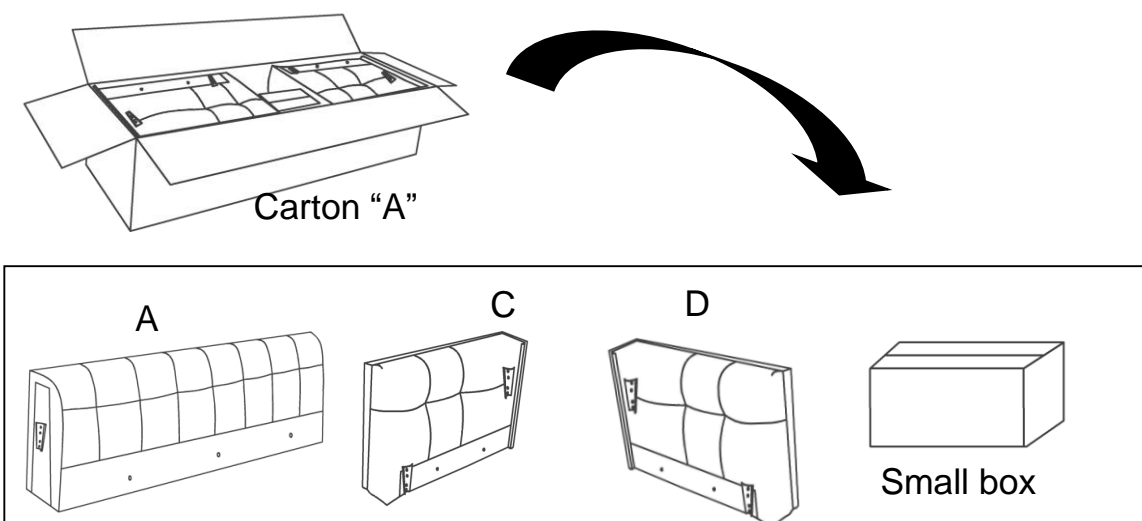
This Sofa has multiple parts and may require about 30 minutes to assemble. To give you an overview of the Sofa parts, the above picture is to help you put the various parts into perspective. Please read through the instructions below to familiarise yourself with the parts and steps before assembly.

Step 1



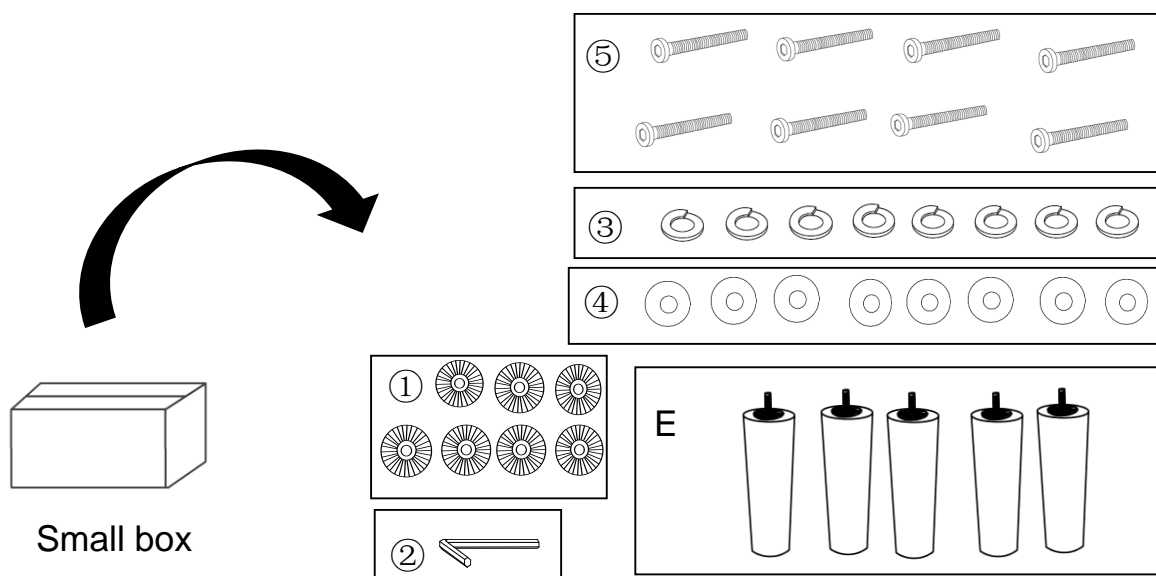
Take the Seat Base(B) out from the carton "B" and place it on a clean, non-marring surface.

Step 2



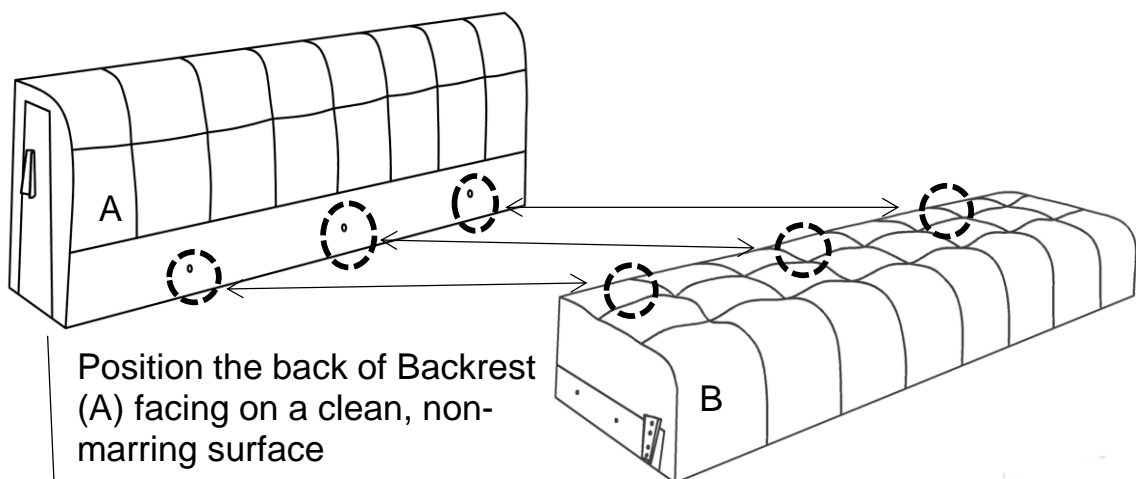
Take out the Backrest(A), Left Arm(C), Right Arm(D) and a small box from the Carton "A", place them on a clean, non-marring surface.

Step 3



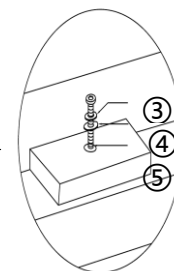
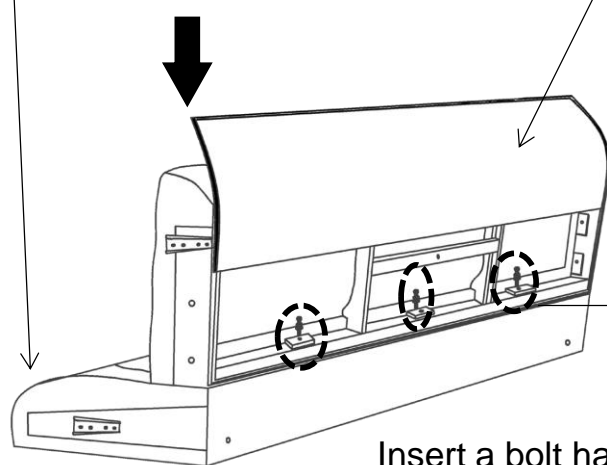
Open the Small Box to take out the Hardwares and Legs(E).

Step 4



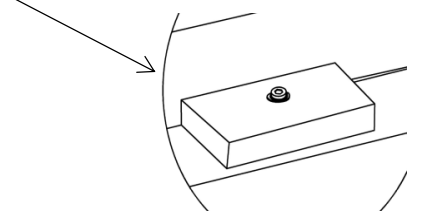
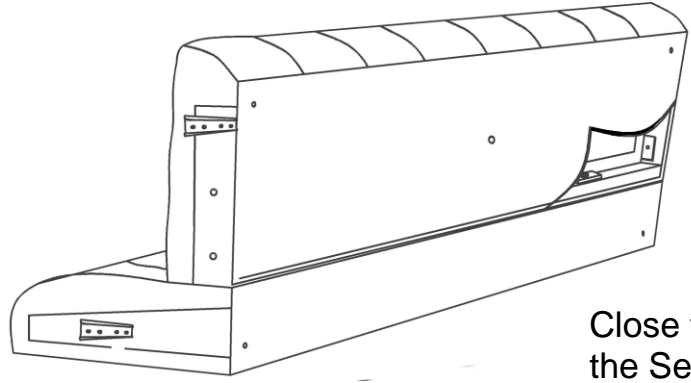
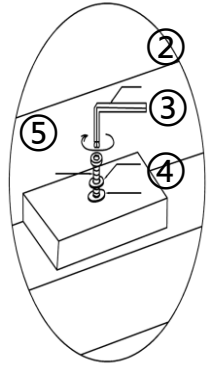
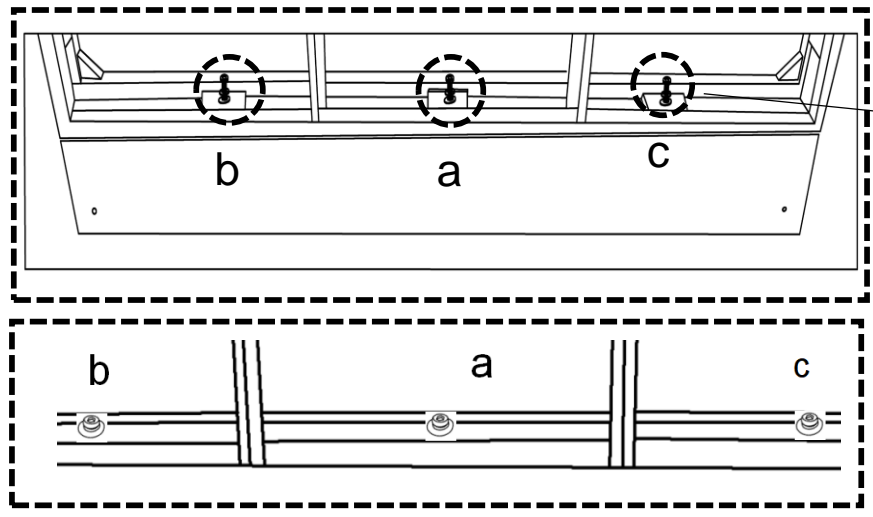
Position the back of Backrest (A) facing on a clean, non-marring surface

Then put the Seat Base(B) on the Backrest(A) as pictured.



Insert a bolt half-way at "a" first, then to "b" and "c" until all bolts(⑤) are bolted in with Allen Key(②), then tighten the 3 bolts(⑤) with Allen Key(②).





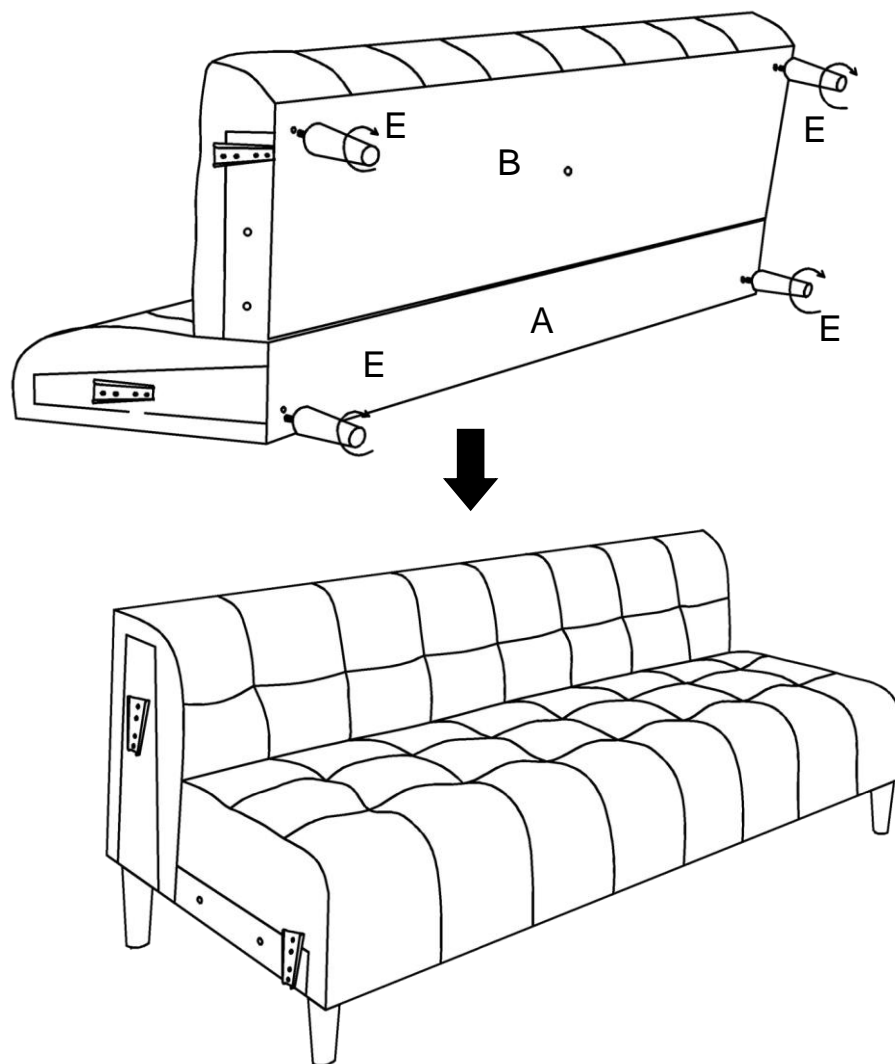
Close the non-woven fabric under the Seat Base(B) with Velcro.

With assistance from your adult partner, align the mounting position on the back side of Seat Base(B) to the mounting position of the Backrest(A). Using the Allen Key(②) secure Backrest(A) to the bottom of Seat Base(B) with Bolts(⑤), Spring Washers(③) and Flat Gaskets(④).

Insert all the Bolts(⑤) half-way starting one by one as pictured.

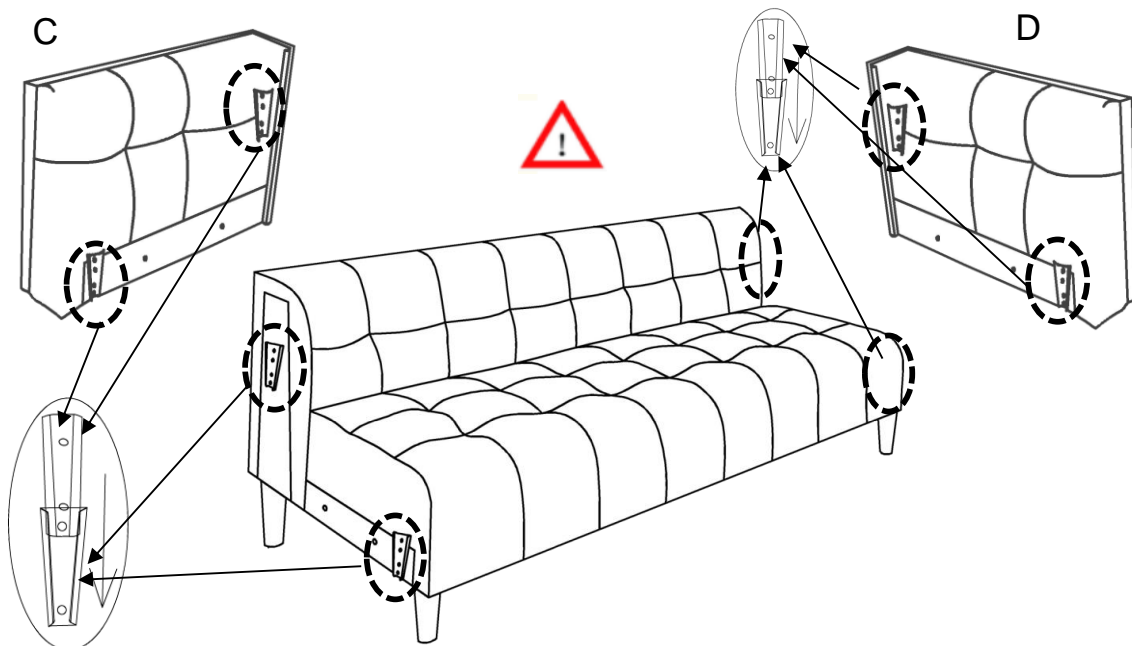
Then tighten the Bolts(⑤) with the Allen Key(②).

Step 5

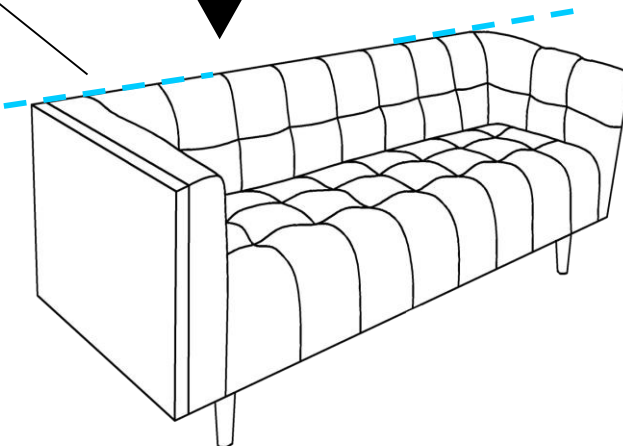
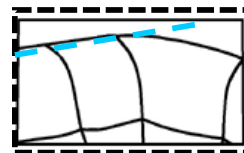
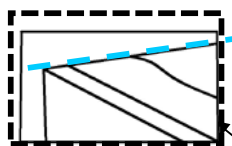


Carefully install the Wooden Legs with 1 Plastic Gasket(G) at the bottom of Backrest(A) and Seat Base(B).

Step 6

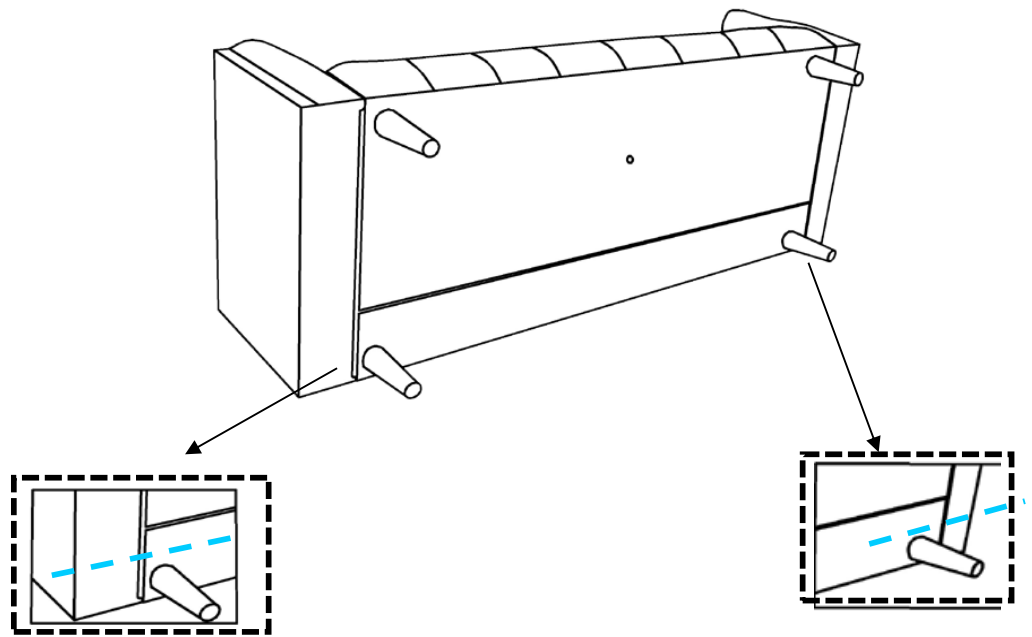


Push the Left Arm(C) and Right Arm(D) downwards and make sure the top side at the same level as the Backrest(A).



Meanwhile you will find the bottom of Backrest(A), Left Arm(C) and Right Arm(D) at the same level.



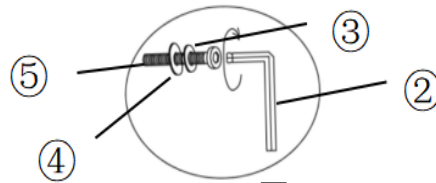
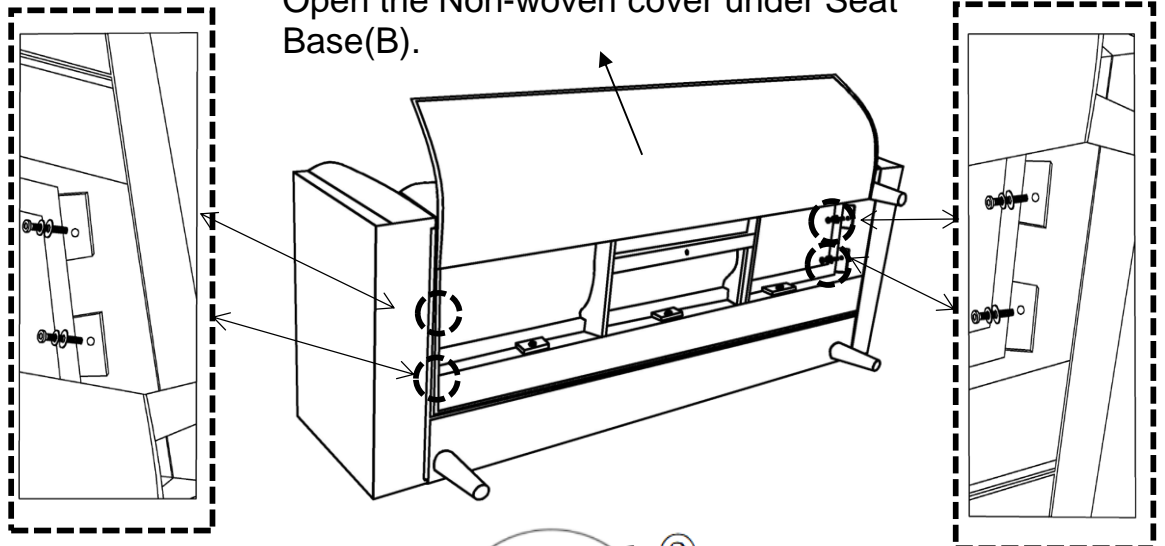


With assistance from your adult partner, align the mounting brackets on the Left Arm(C) and Right Arm(D) with those on the Backrest(A) and Seat Base(B)
Then slide Left Arm(C) and Right Arm(D) downwards to make sure it locks into place as pictured.

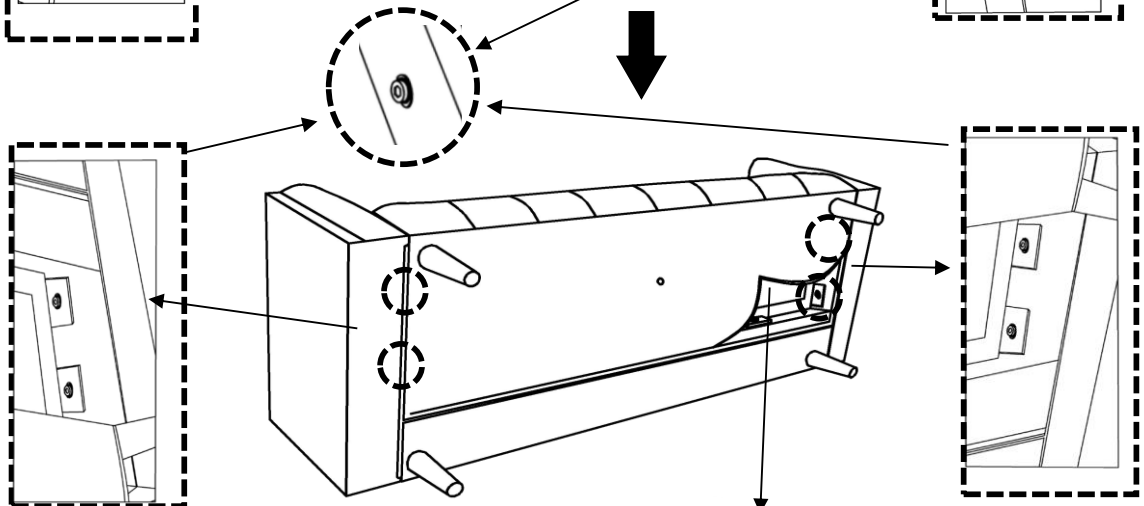
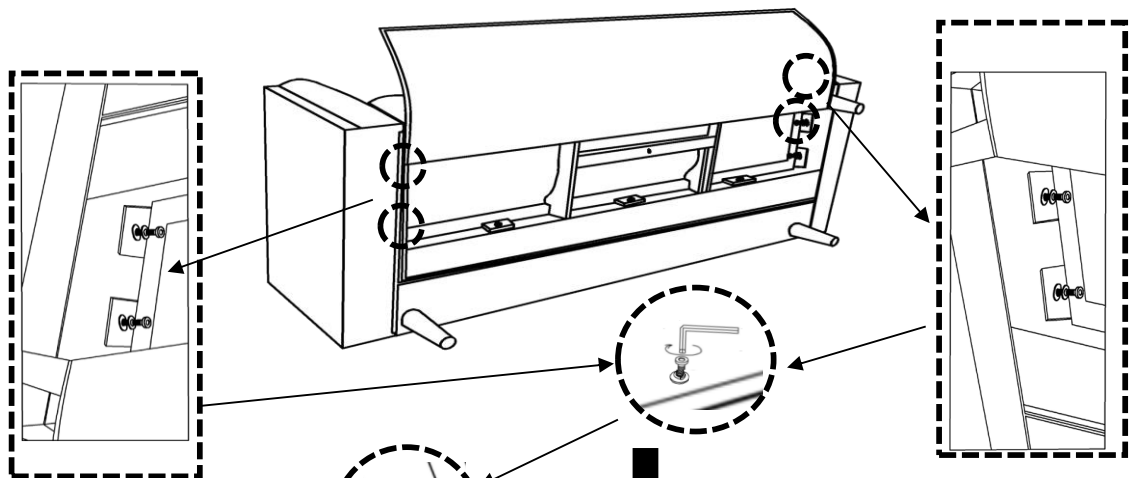
Please squeeze the armrests properly against the backrest to ensure that the inserts can be assembled smoothly.

Step 7

Open the Non-woven cover under Seat Base(B).



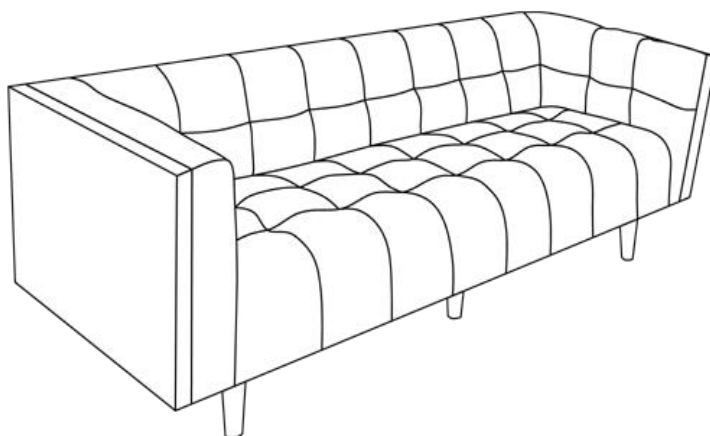
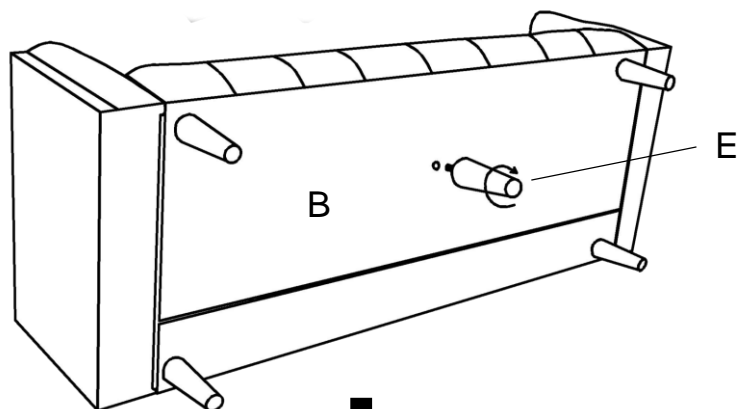
Insert the 4 Bolts(5) half-way until all Bolts are bolted in with Allen Key(2)



Close the non-woven fabric under the Seat Base(B) with Velcro

Using the Allen Key(②) secure Left Arm(C) and Right Arm(D) to the both sides of Seat Base(B) with Bolts(⑤), Spring Washers(③)and Washers(④).
Insert all the Bolts(⑤) half-way starting one by one as pictured.
Then tighten the Bolts(⑤) with the Allen Key(②).

Step 8



Install the Leg with 1 Plastic Gasket(E) under the middle side of Seat Base(B)
Your Sofa is ready for use.
This Sofa can only be used on a flat, level surface.

Care & Maintenance



Do not put hot items directly on furniture surface



Do not clean furniture with harsh cleansers or polish.



Do not place furniture under direct sunlight.



Do not place furniture near heating or cooling vents.



Do not write on furniture without a padded barrier to protect the surface.



Do not place furniture outside . For indoor use only .



Not for commercial use. For residential use only .



Stains may be removed with mild soap solution and damp cloth.



Children should not climb or jump on the furniture.



Dust and pick-up spills using a clean, non-colored, lint-free cloth .