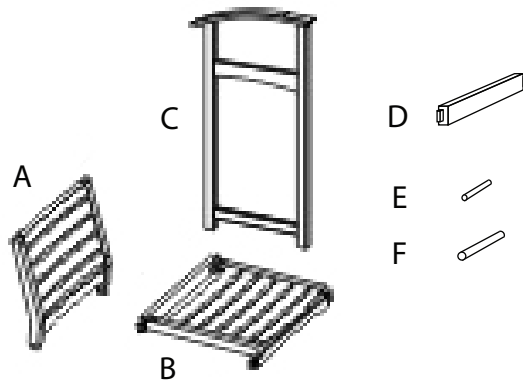


- SOMERSET BARSTOOL

- A. BACKREST: 1 pc
- B. SEAT: 1 pc
- C. LEGS (& ARMS): 2 pcs
- D. CROSSBARS: 3 pcs
- E. TEAK DOWELS: 16 pcs
- F. TEAK DOWELS (larger than E): 2 pcs



GLUING With a small brush (disposable watercolor paint brush), apply glue (included) amply on the mortise-and-tenon joints . Apply only at the immediate areas (shaded) where the mortise-and-tenon pieces meet. Wipe off excess glue with a damp cloth. For best results, allow 24 hours before using the furniture.

NOTE: Use a soft mallet hammer (not included) to prevent marking or denting furniture when inserting teak dowels. Do not use excessive force to insert dowels. After inserting dowels, some sanding may be necessary to make dowel ends flush with surface.

