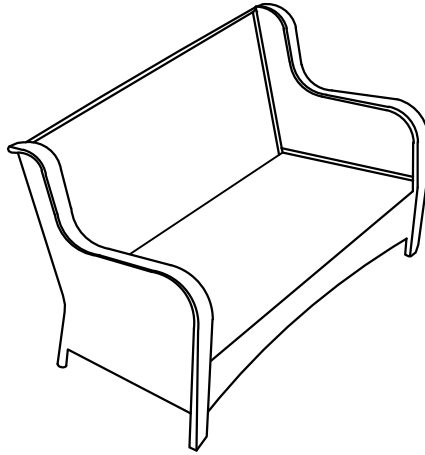


Assembly Instruction

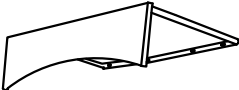
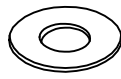
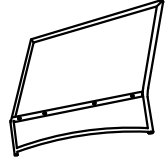
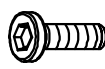
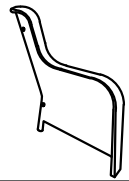

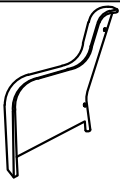
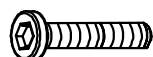
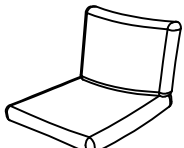

Advice:

1. Power tools are suggested to be used during installation.
2. More than one person may be required to assemble this product.
3. The best advice is not tightening up any screws until the whole piece is assembled. If having difficulty aligning holes, loosen the screws already installed and readjust the armrest.
4. To avoid mess-up or mismatch, please use the hardware of each box to install the furniture in the same box.

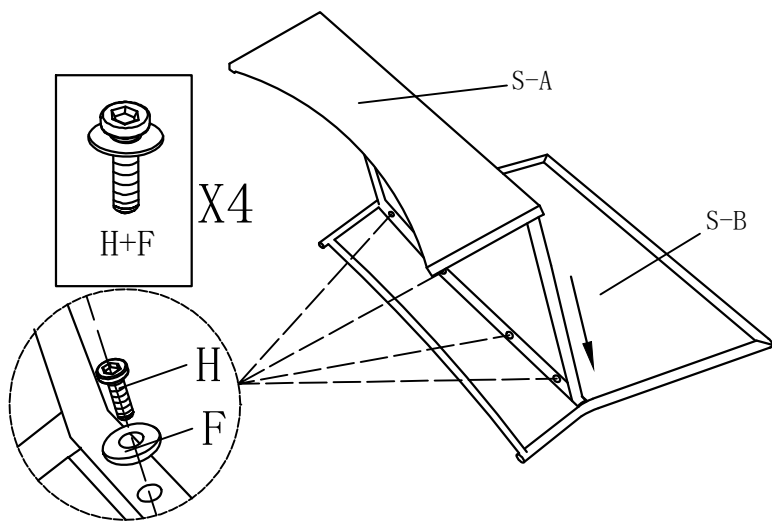


3-Seat Sofa

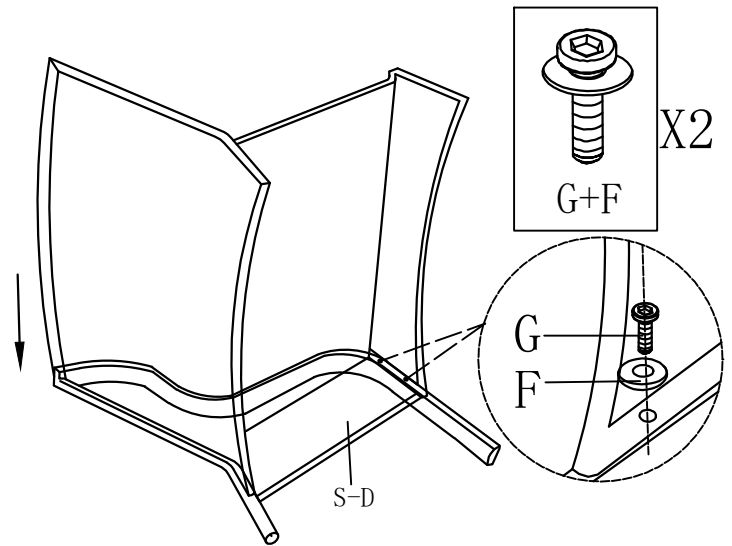
Parts List

Part Number	Picture	Description	QTY	Part Number	Picture	Description	QTY
S-A		Sofa Seat	1	F		Washer (M6)	12
S-B		Sofa Back	1	G		Screw (M6*35)	4
S-C		Right Arm	1	H		Screw (M6*40)	4
S-D		Left Arm	1	I		Screw (M6*45)	4
S-E		Seat and Back Cushion	3	J		Allen Key	1

STEP 1

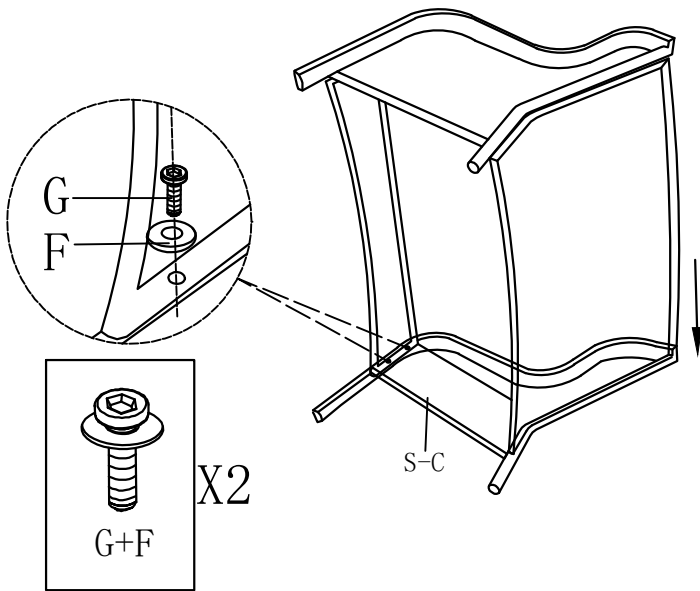


STEP 2

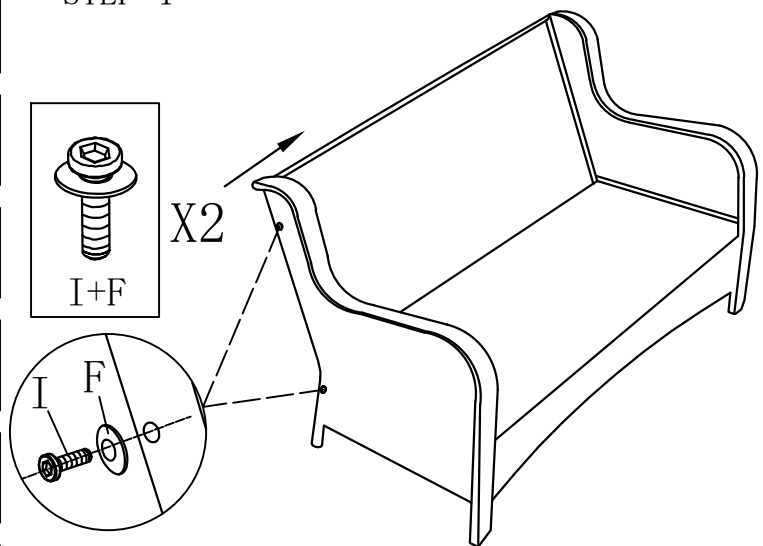


The best advice is not tightening up any screws until the whole piece is assembled.

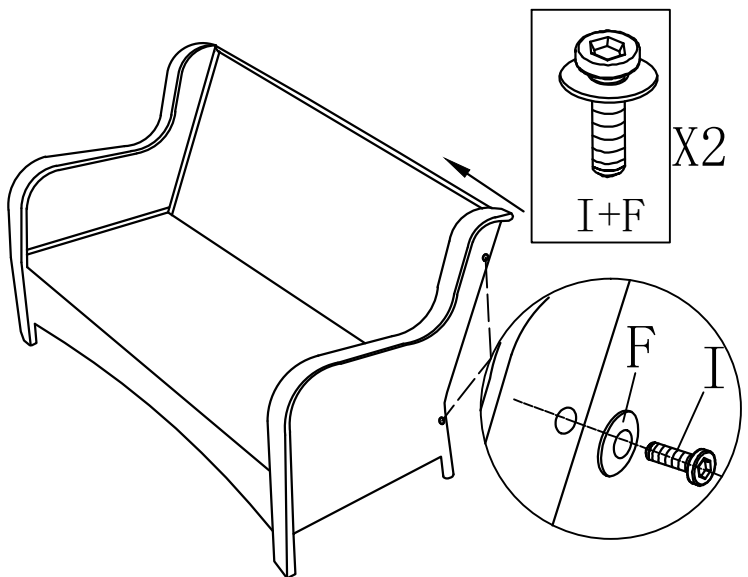
STEP 3



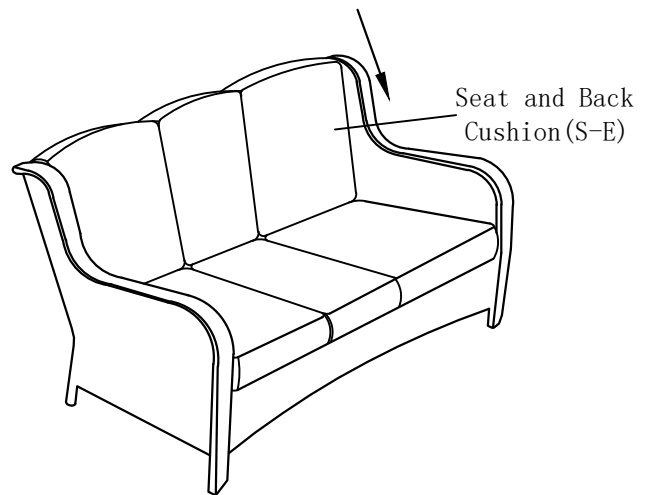
STEP 4



STEP 5



FINISH

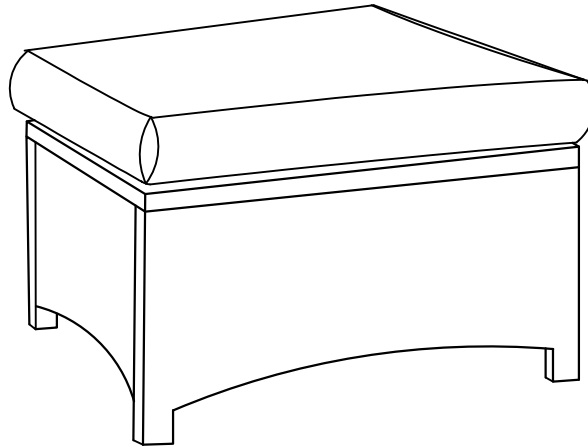


Please tap the cushions and wait 48 to 72 hours to fully rebound

Assembly Instruction

Advice:

1. Power tools are suggested to be used during installation.
2. More than one person may be required to assemble this product.
3. The best advice is not tightening up any screws until the whole piece is assembled. If having difficulty aligning holes, loosen the screws already installed and readjust the armrest.
4. To avoid mess-up or mismatch, please use the hardware of each box to install the furniture in the same box.

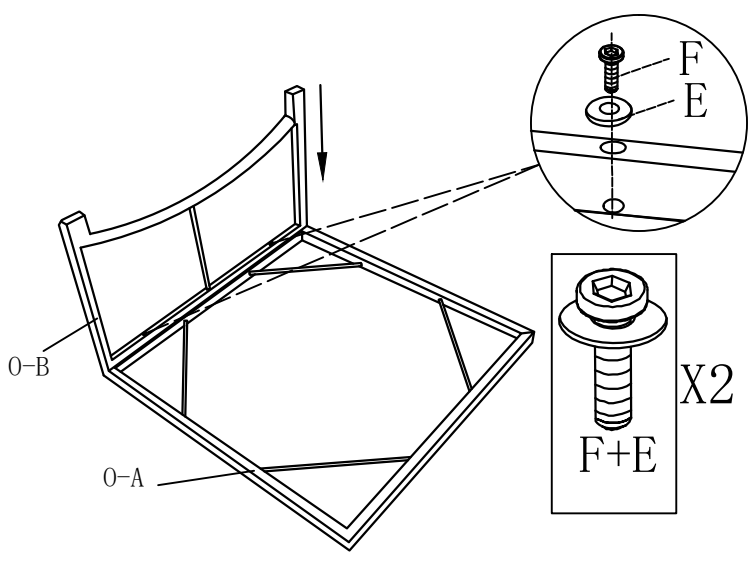


Ottoman

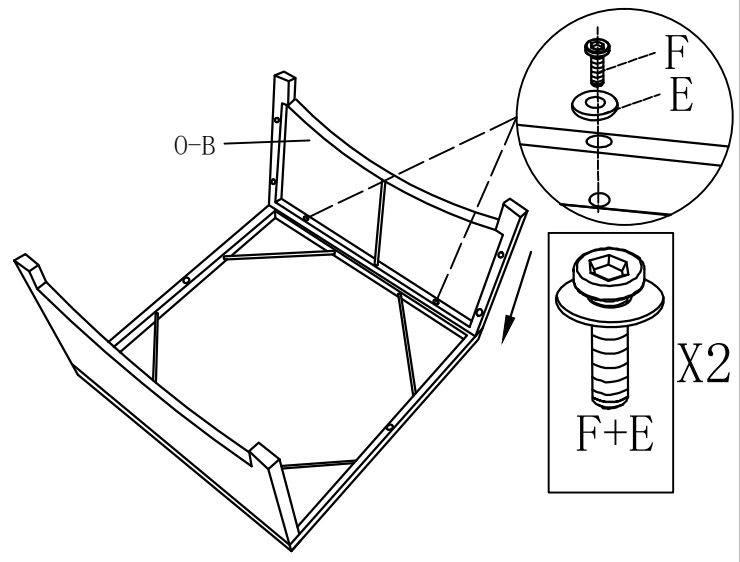
Parts List

Part Number	Picture	Description	QTY
0-A	A rectangular panel with a double-line border, representing the top surface of the ottoman.	Top Panel	1
0-B	A side view of a panel with a curved top edge and two legs attached to the bottom.	Side Panel With legs	2
0-C	A side view of a panel with a curved top edge, representing the side panel without the legs.	Side Panel Without Legs	2
0-D	A rectangular cushion with rounded ends and a slight thickness.	Cushion	1
E	A circular washer with a central hole.	Washer (M6)	14
F	A screw with a hexagonal head and a threaded shaft.	Screw (M6*35)	14
G	An L-shaped Allen key.	Allen Key	1

STEP 1

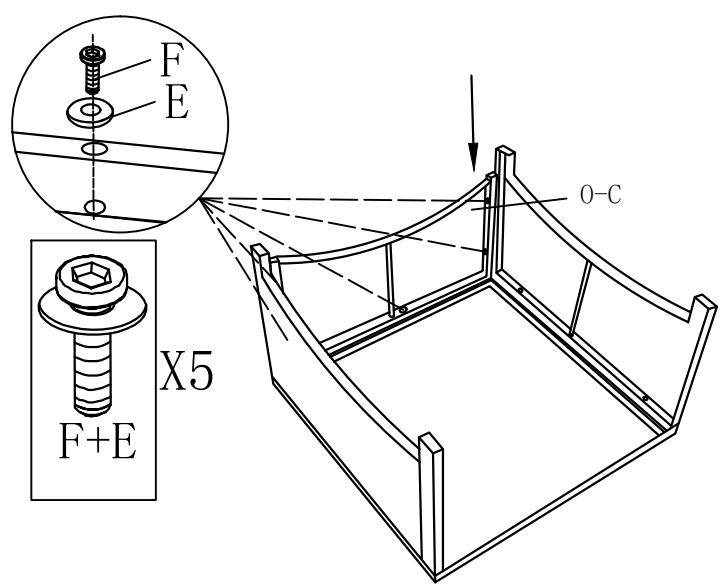


STEP 2

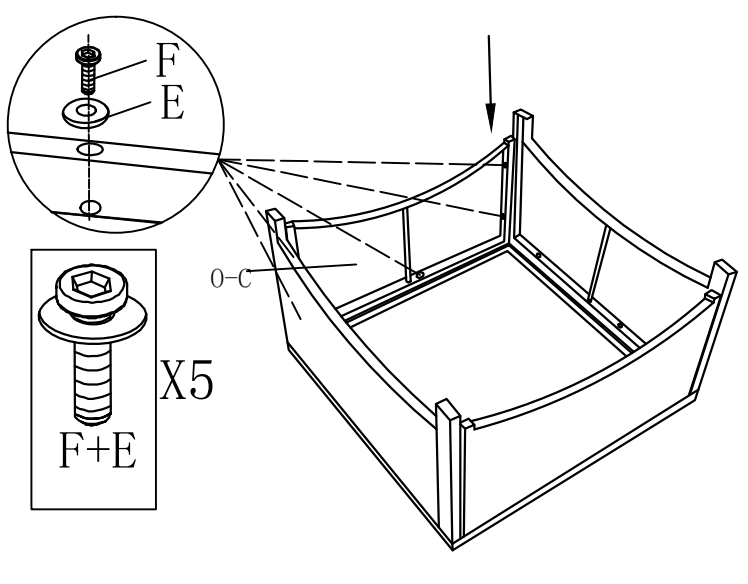


The best advice is not tightening up any screws until the whole piece is assembled.

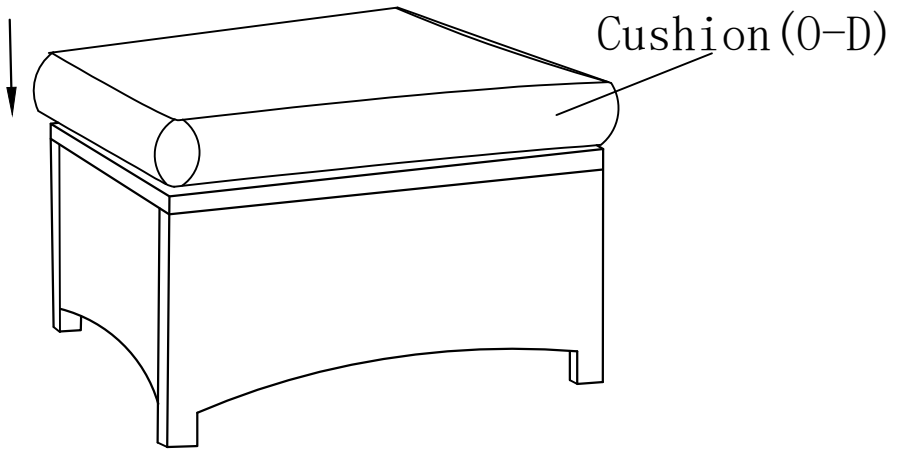
STEP 3



STEP 4



FINISH



Please tap the cushions and wait 48 to 72 hours to fully rebound