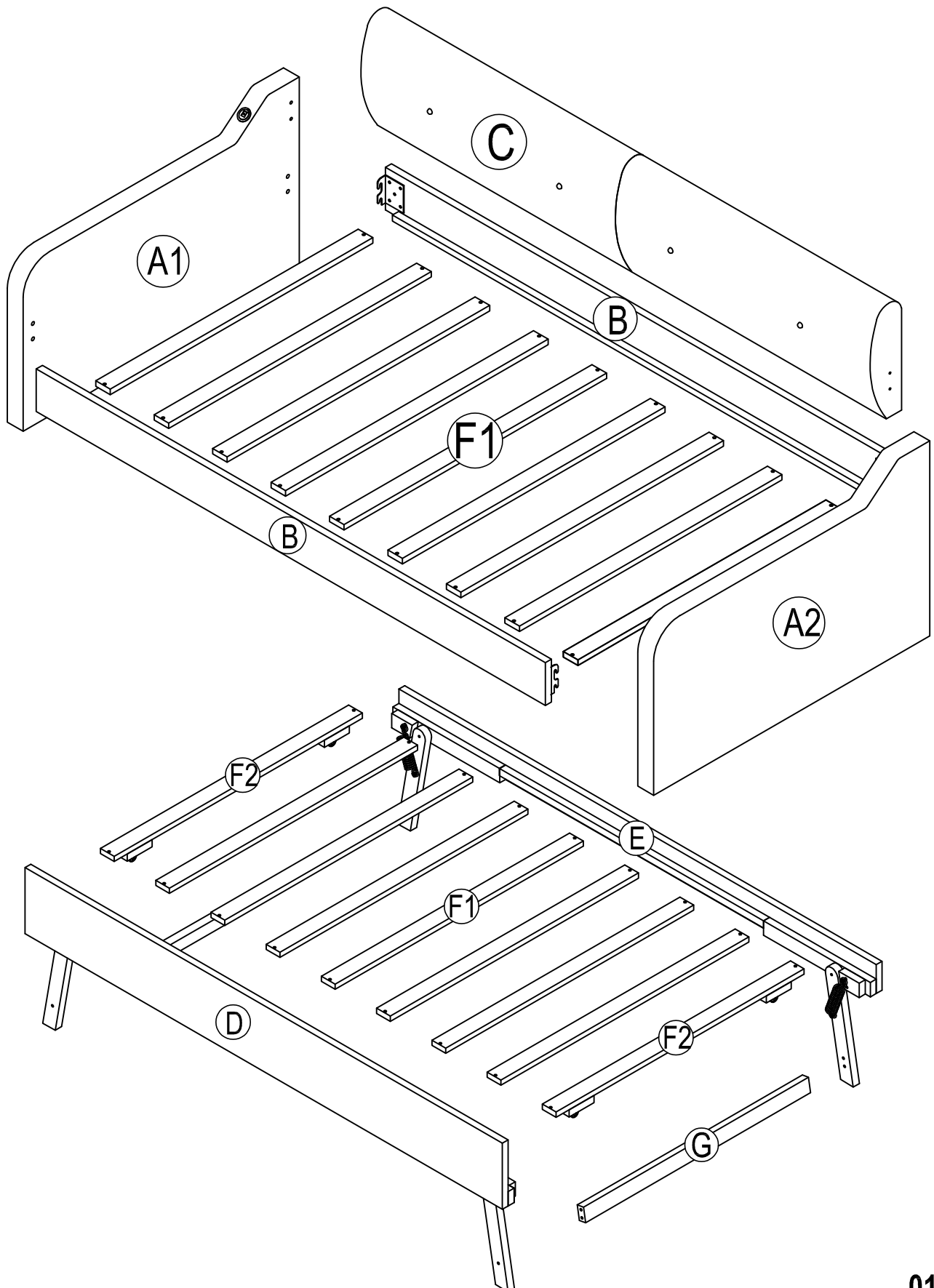
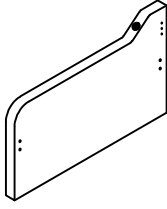
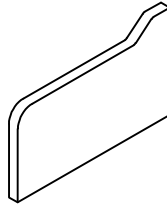
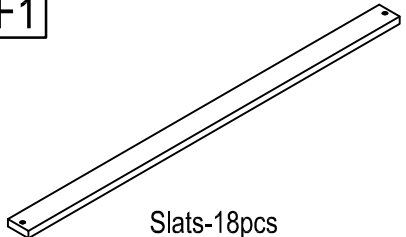
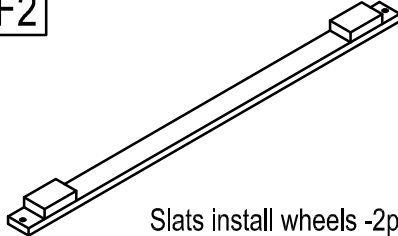


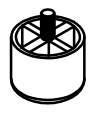
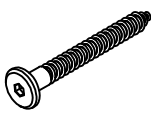
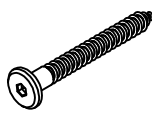

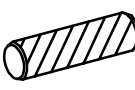
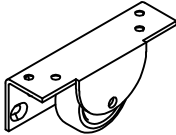



# ASSEMBLY INSTRUCTION



# Part List

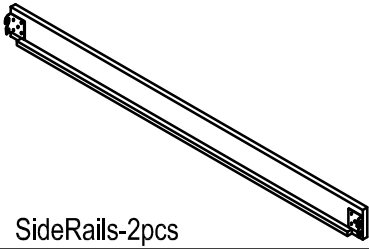
<p>A1</p>  <p>HeadBoard-1pcs</p>	<p>A2</p>  <p>FootBoard-1pcs</p>	<p>F1</p>  <p>Slats-18pcs</p>
<p>F2</p>  <p>Slats install wheels -2pcs</p>		

# Hardware List

<p>1</p>  <p>Plastic Feet(Ø50x40) 4pcs</p>	<p>2</p>  <p>Ø1/4" x 30 mm Wood Screws 8pcs</p>	<p>3</p>  <p>Ø1/4" x 50 mm Wood Screws 8pcs</p>
<p>4</p>  <p>M4 x 30 mm Wood Screws 48pcs</p>	<p>5</p>  <p>Ø10 x 40 mm Wood dowel 4pcs</p>	<p>6</p>  <p>Wheels 4pcs</p>
<p>7</p>  <p>Allen Key 1pc</p>	<p>8</p>  <p>Steel Bracket 3pcs</p>	<p>9</p>  <p>M4 x 15 mm Wood Screws 12pcs</p>

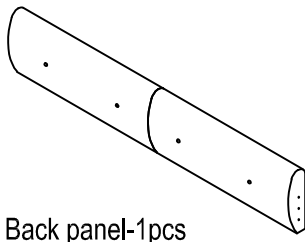
# Part List

B



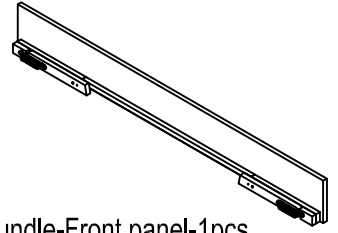
Side Rails-2pcs

C



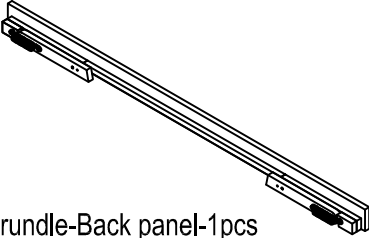
Back panel-1pcs

D



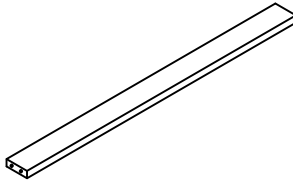
Trundle-Front panel-1pcs

E

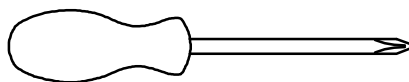


Trundle-Back panel-1pcs

G



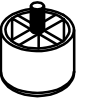
Trundle Legs Bar-2pcs



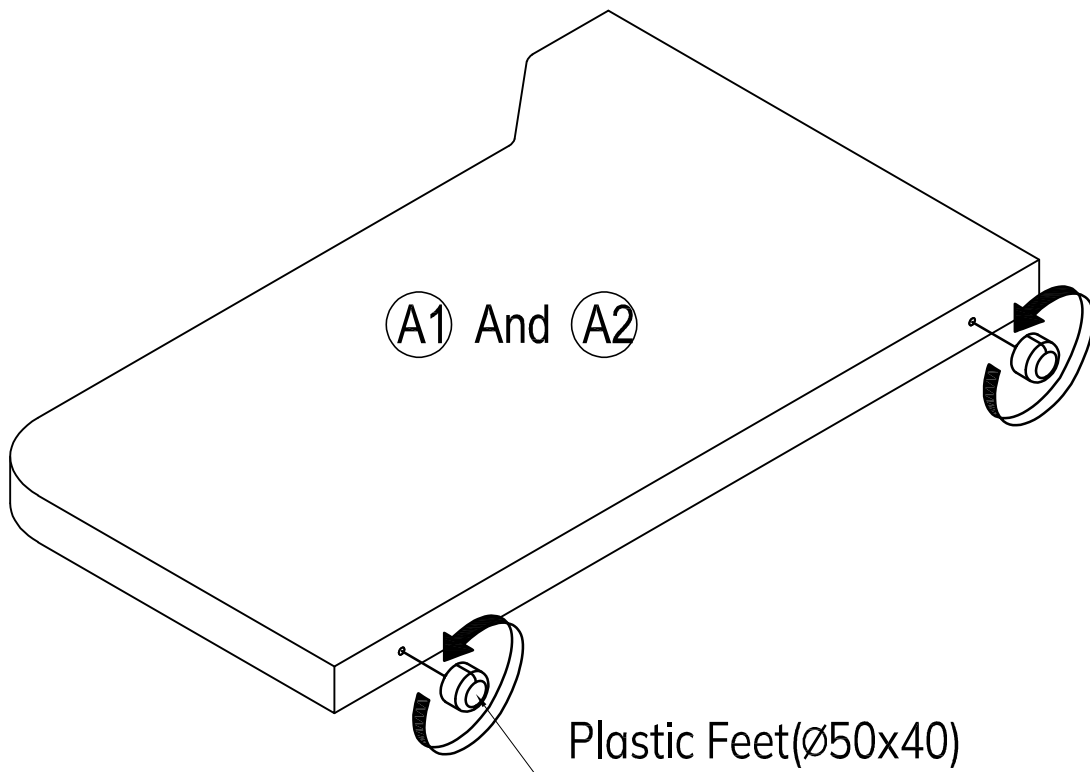
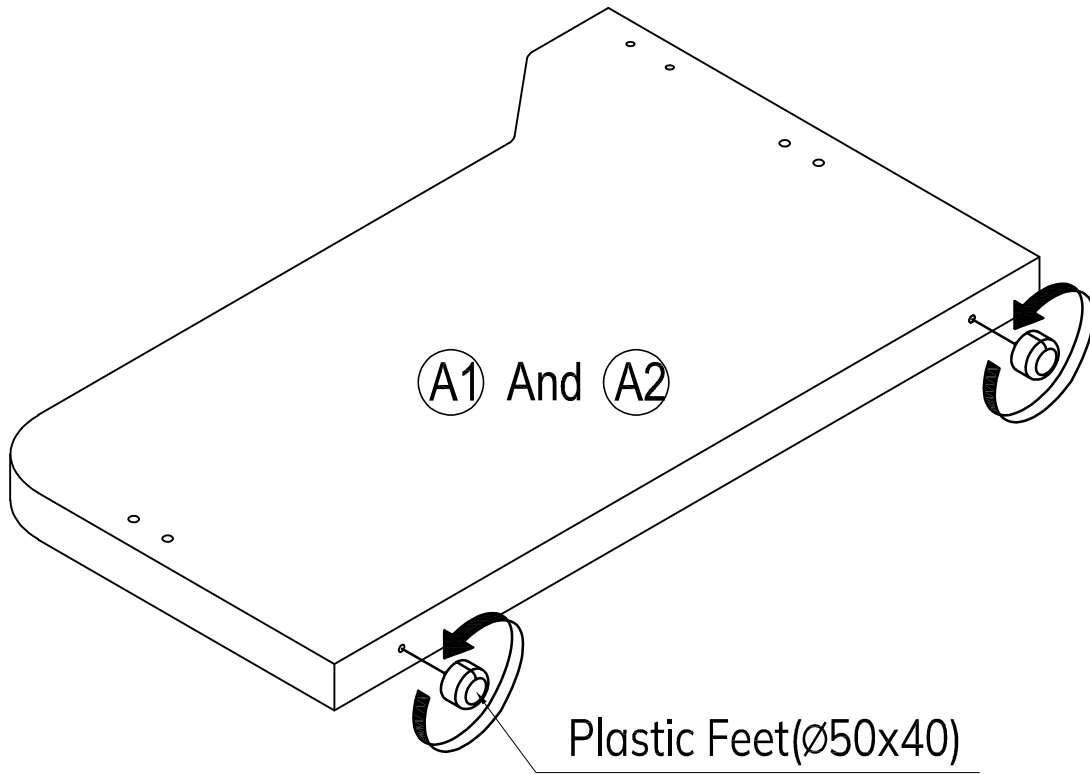
**Assembly Tools Required (Not Included)**

**STEP 1:** Following below illustration Assembly Plastic Feet(#1) With Headboard and Footboard use HW #2

1



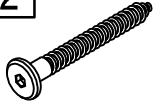
4pcs



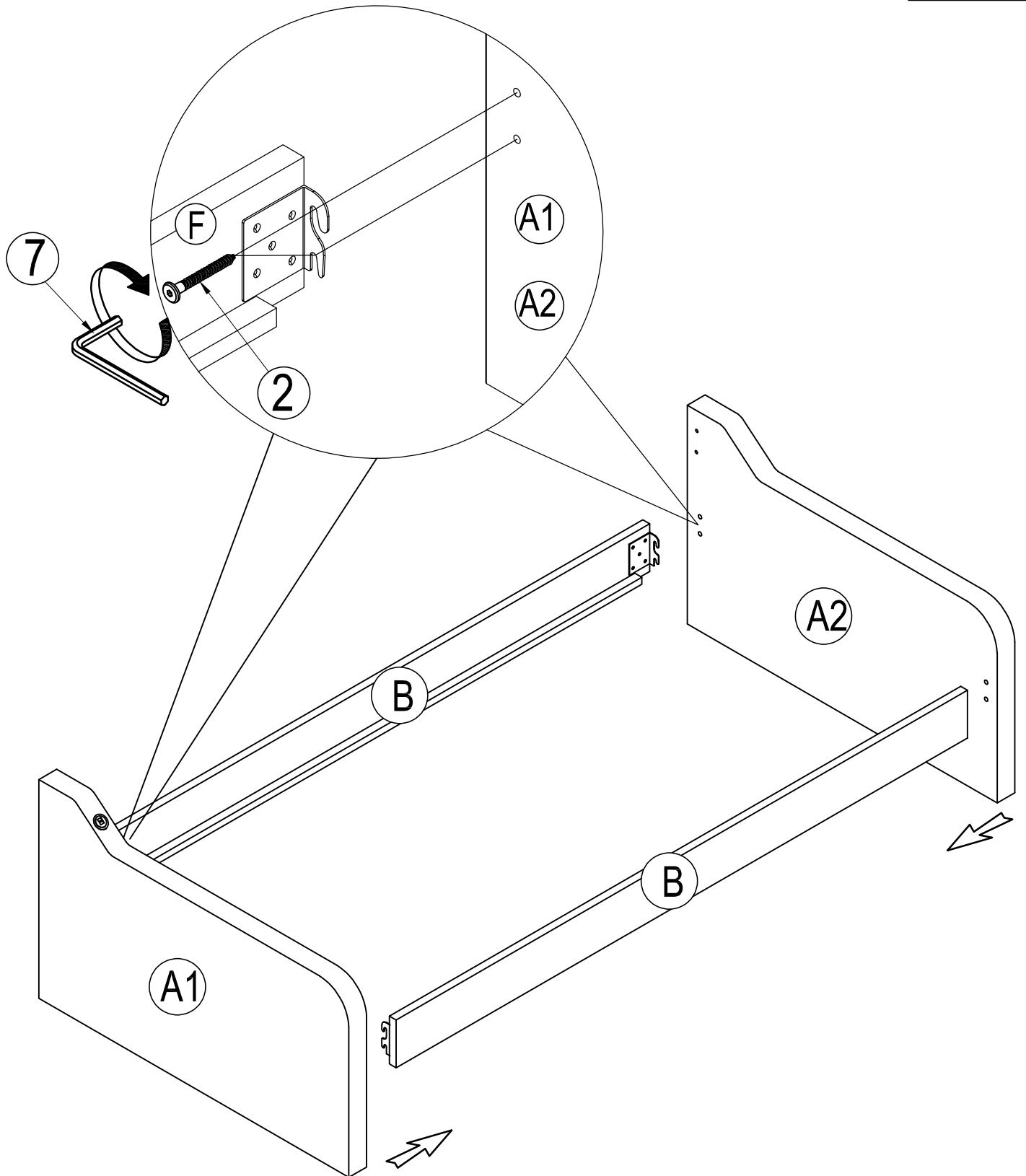
**STEP 2:** Following below illustration Using hardward #2 to Assembly Headboard and Footboard with siderail

B(x2).Look at detail view for more detail

2



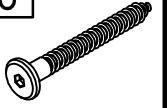
8pcs



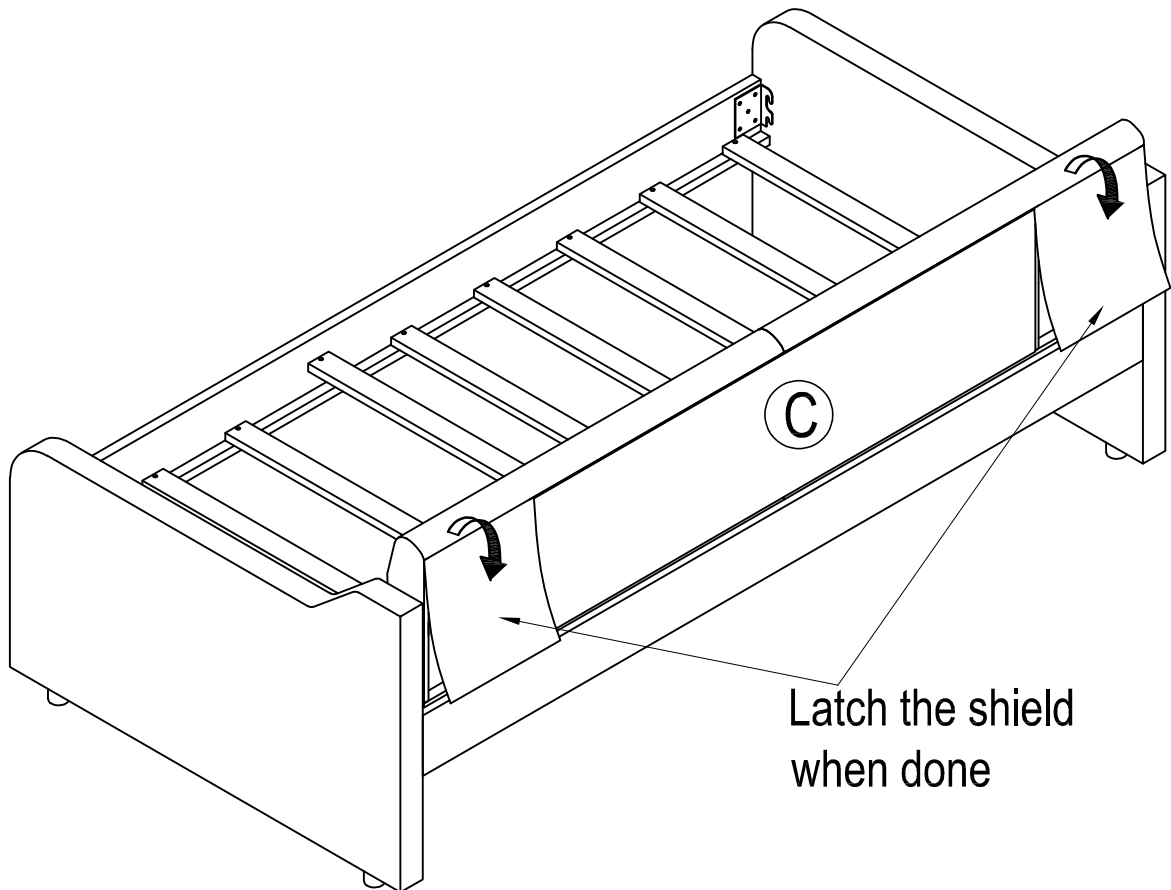
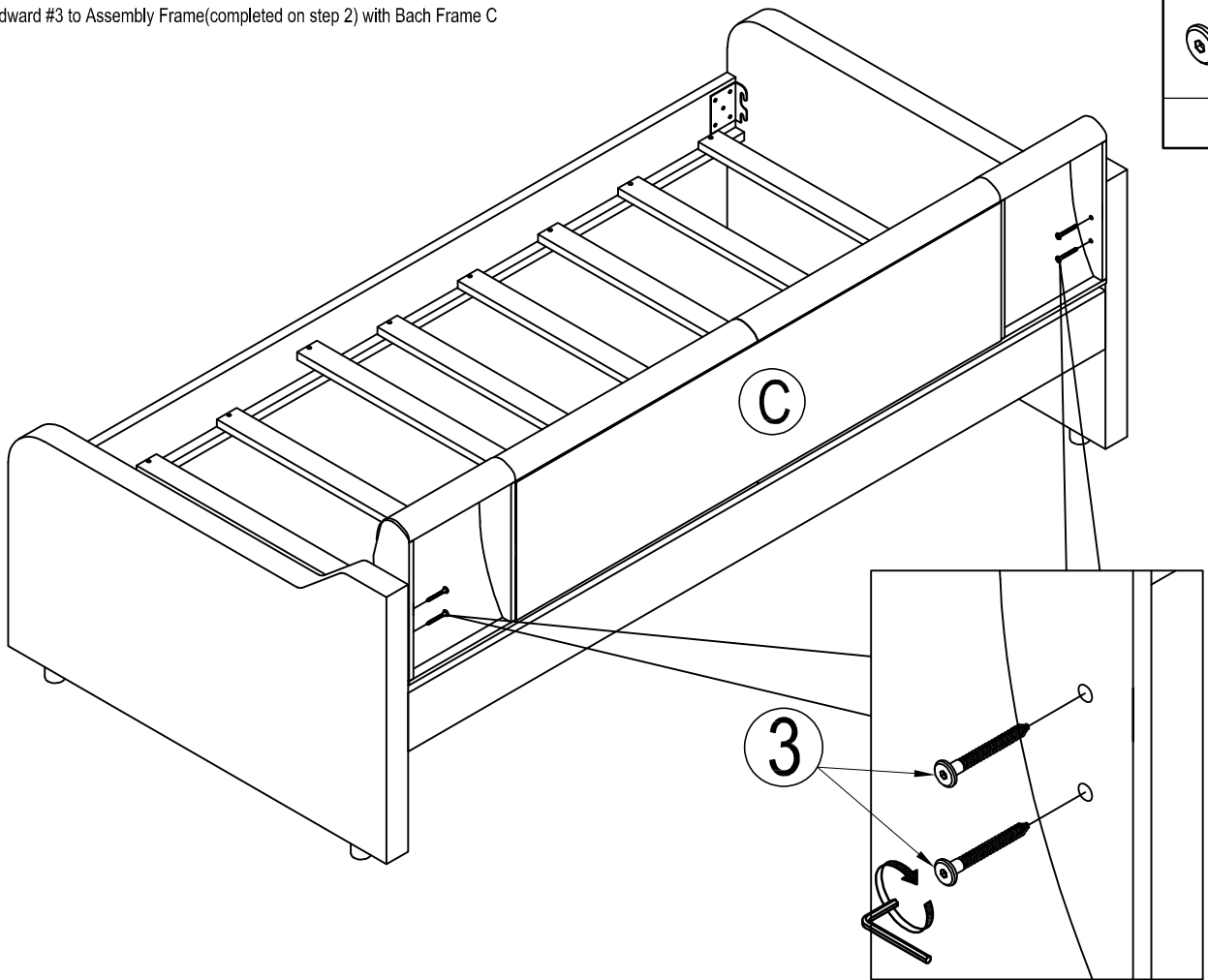
# STEP 3: Following below illustration

-Using hardward #3 to Assembly Frame(completed on step 2) with Bach Frame C

8



6pcs



Latch the shield  
when done

# STEP 4:

Following below illustration:

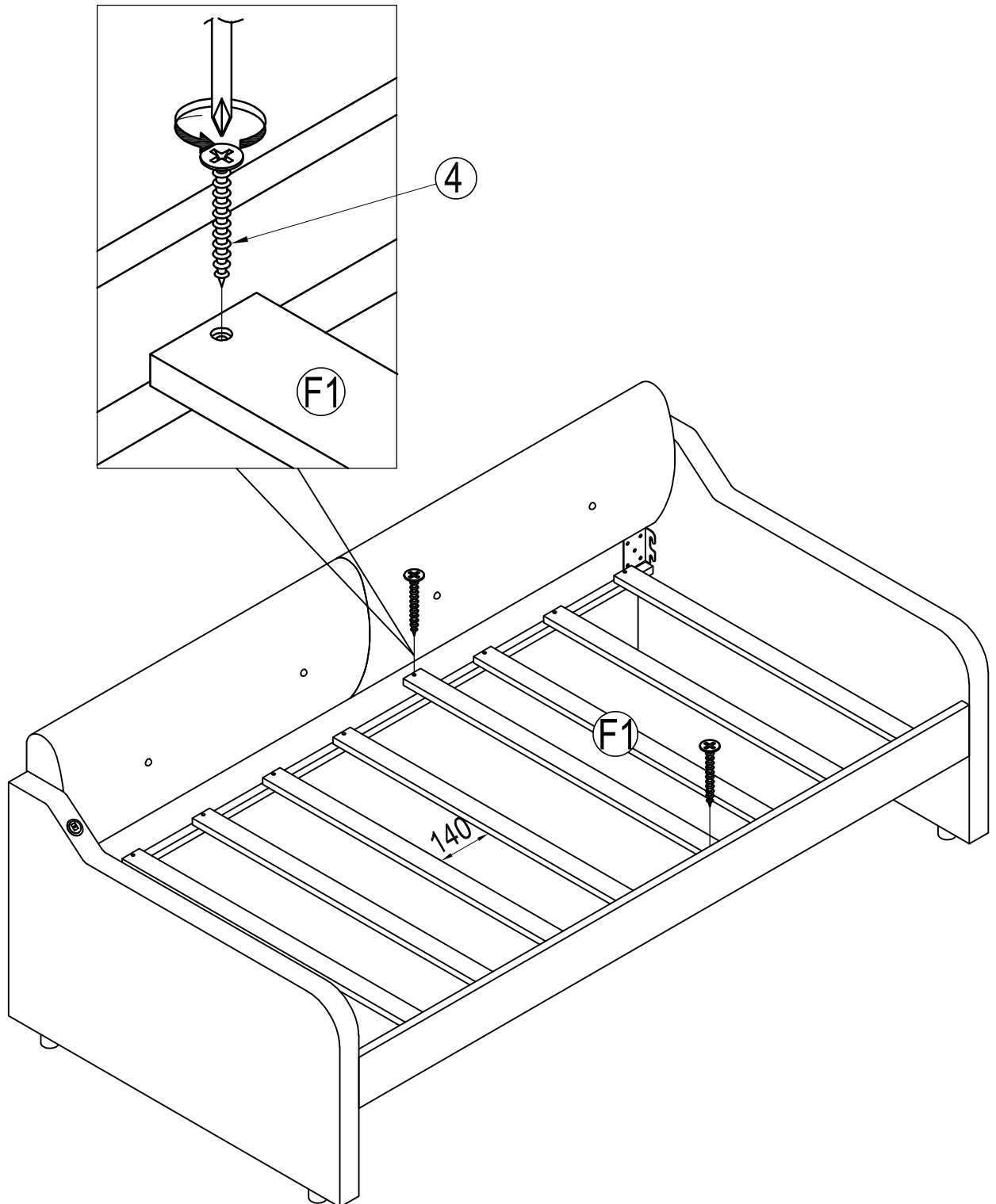
-Screw 10 slats F with Side Rail B by using hardware #4.

-Look at detail view for more detail

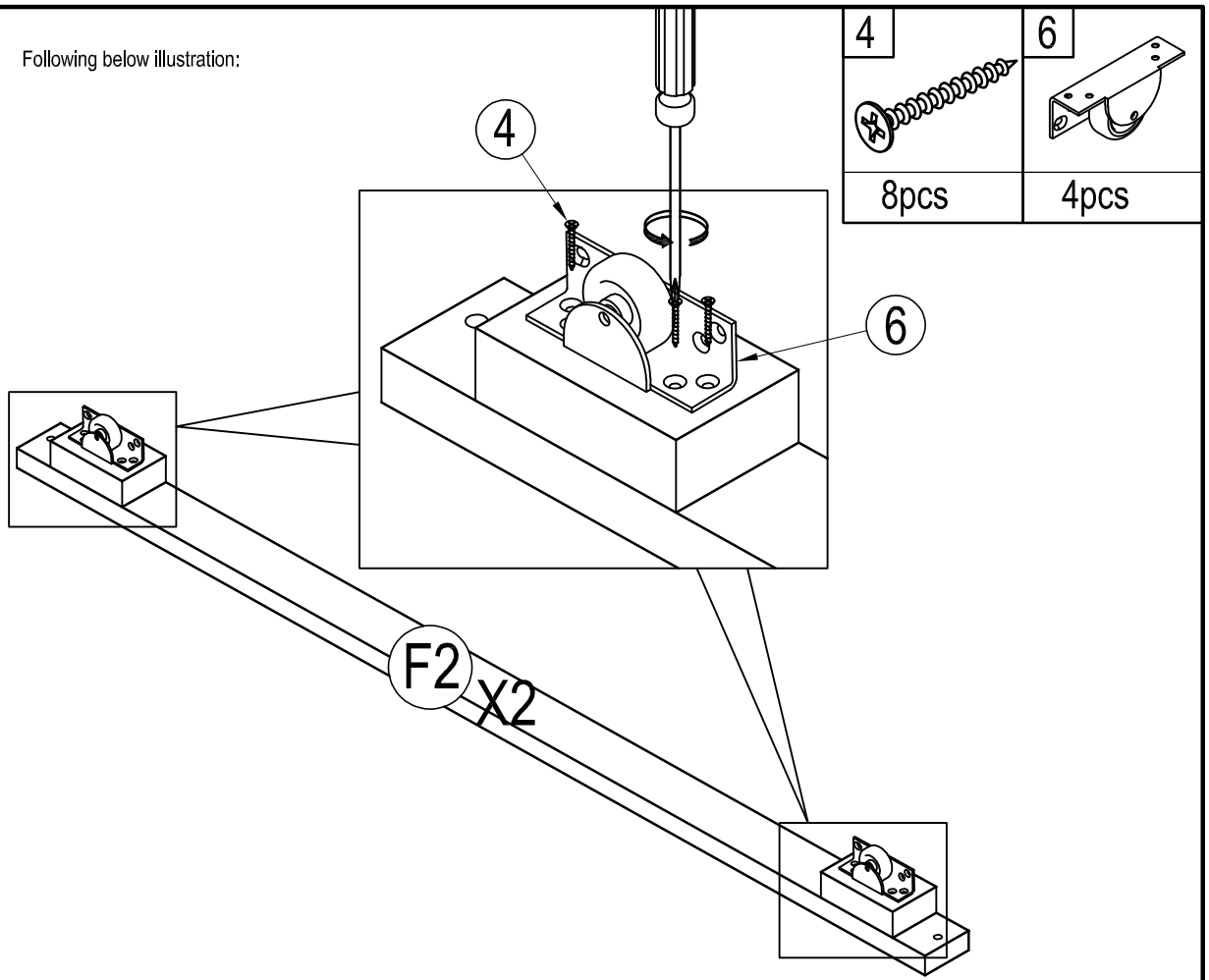
4



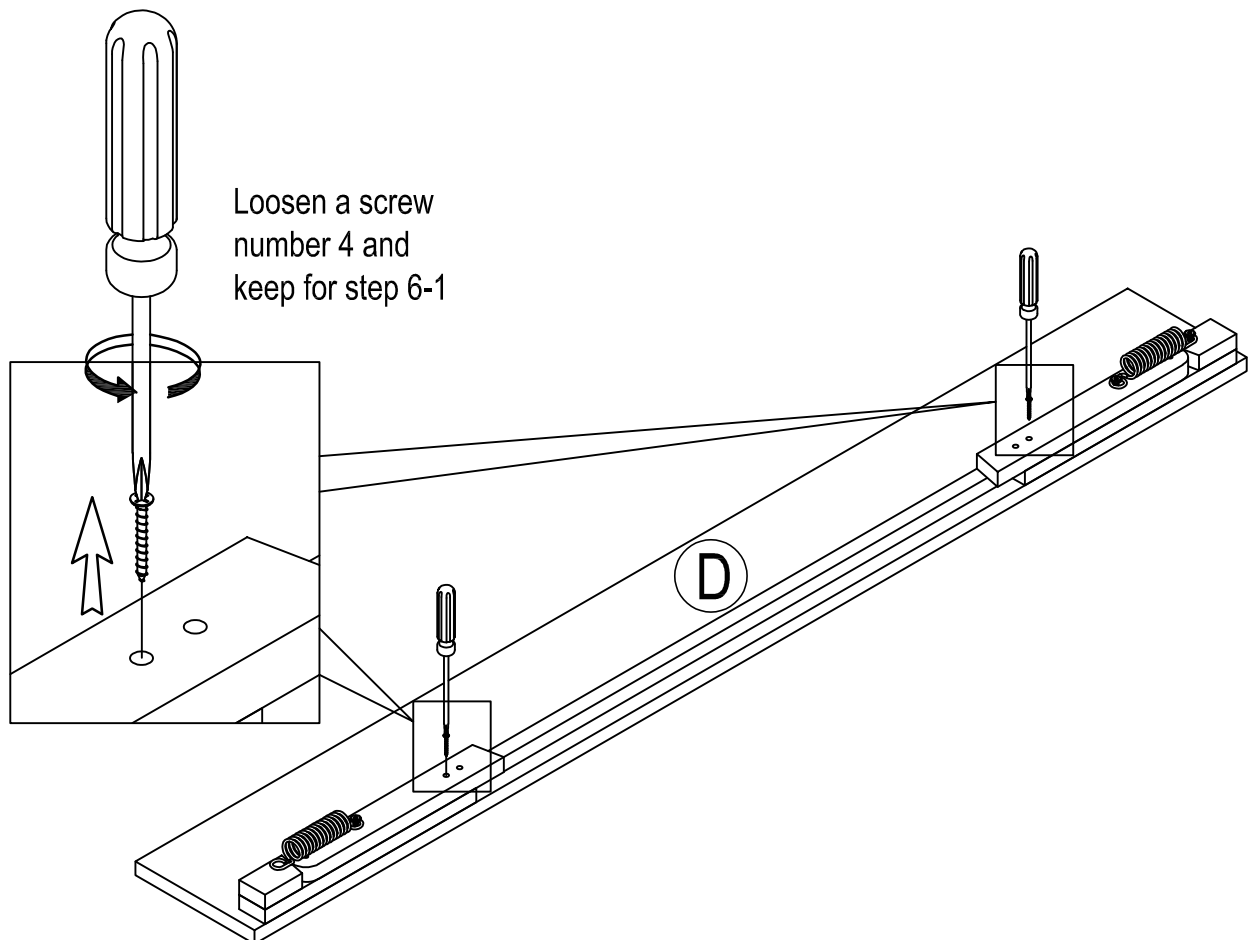
20pcs



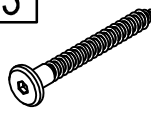

# STEP 5-1: Following below illustration:

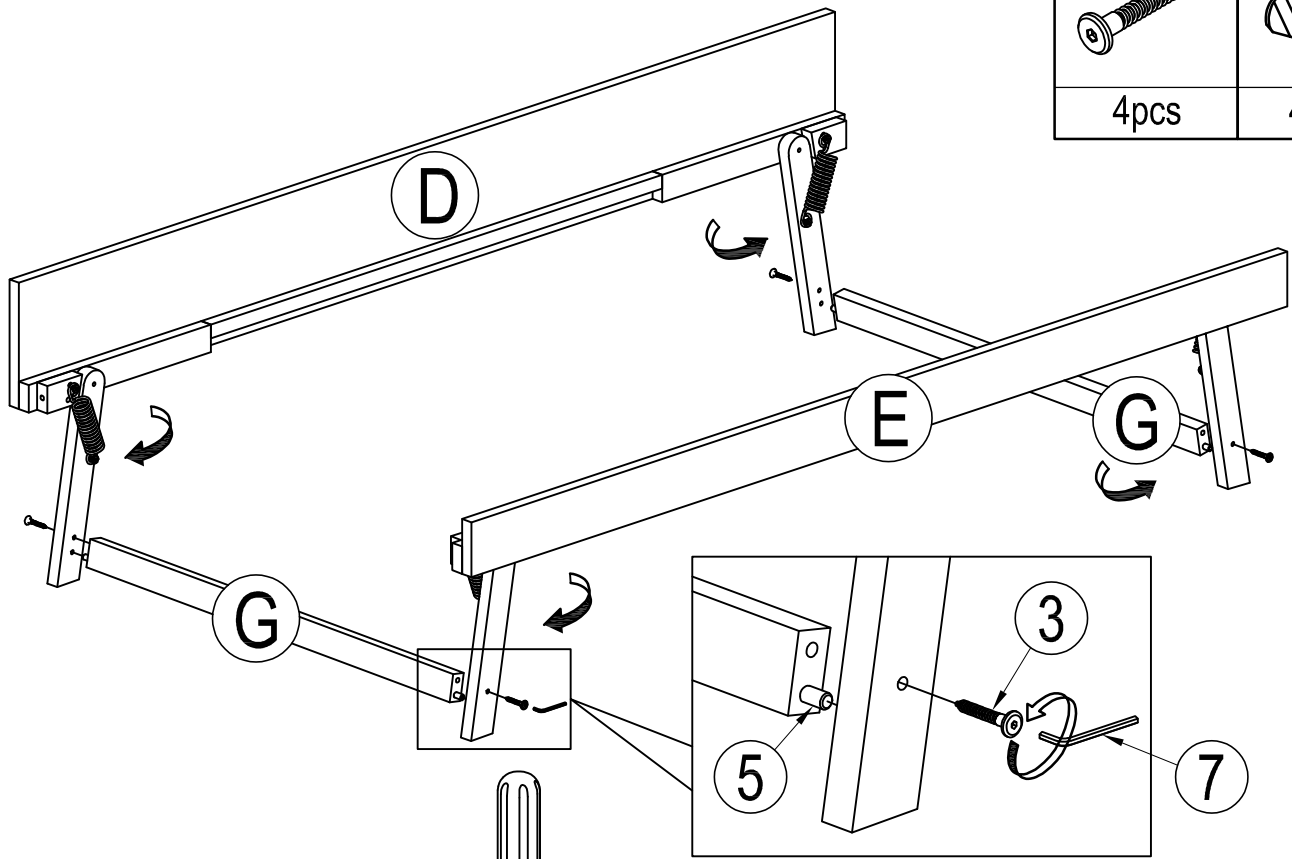


# STEP 5-2: Loosen a screw number 4 and keep for step 6

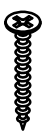


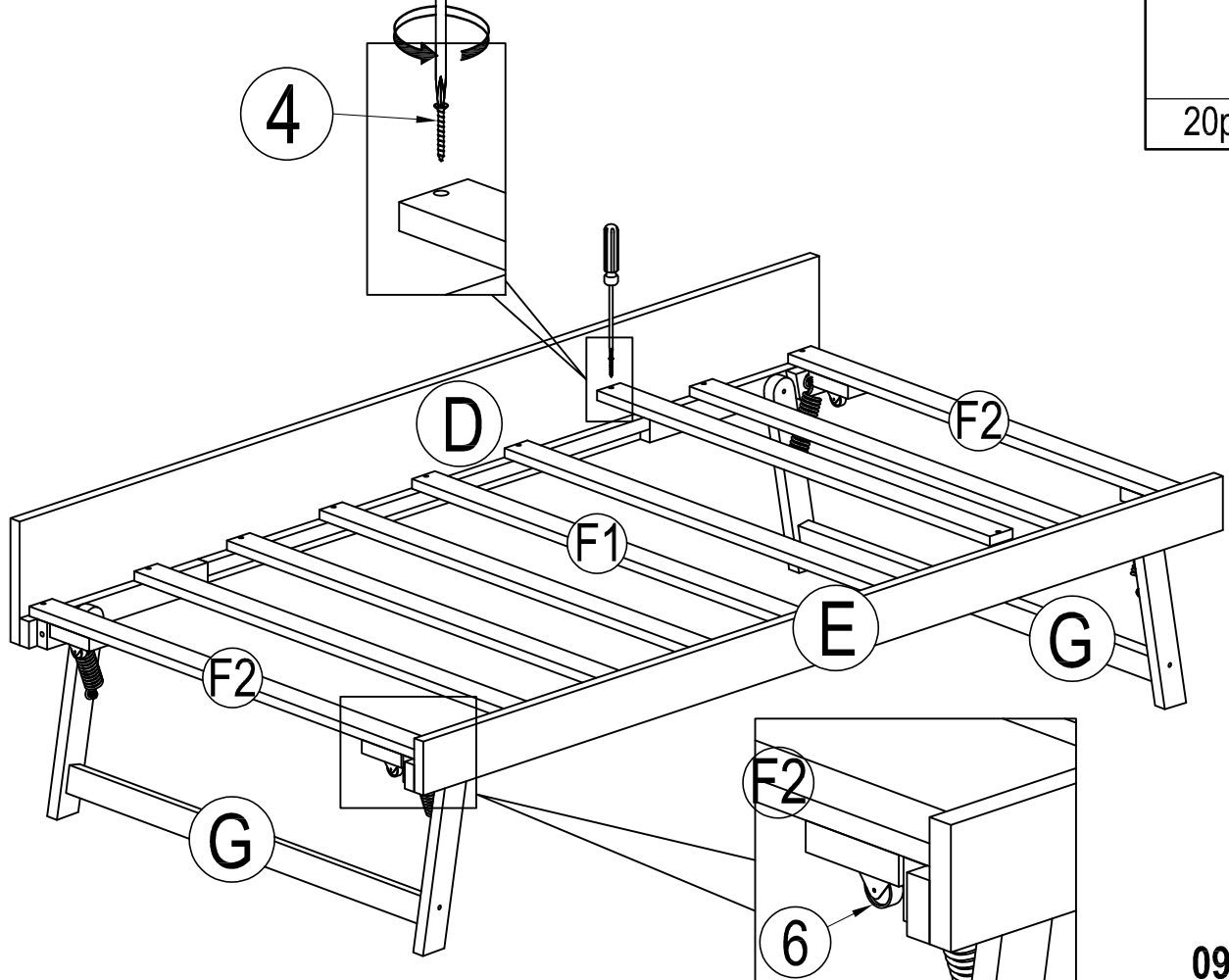
# STEP 6-1: Following below illustration:

3		5	
4pcs		4pcs	





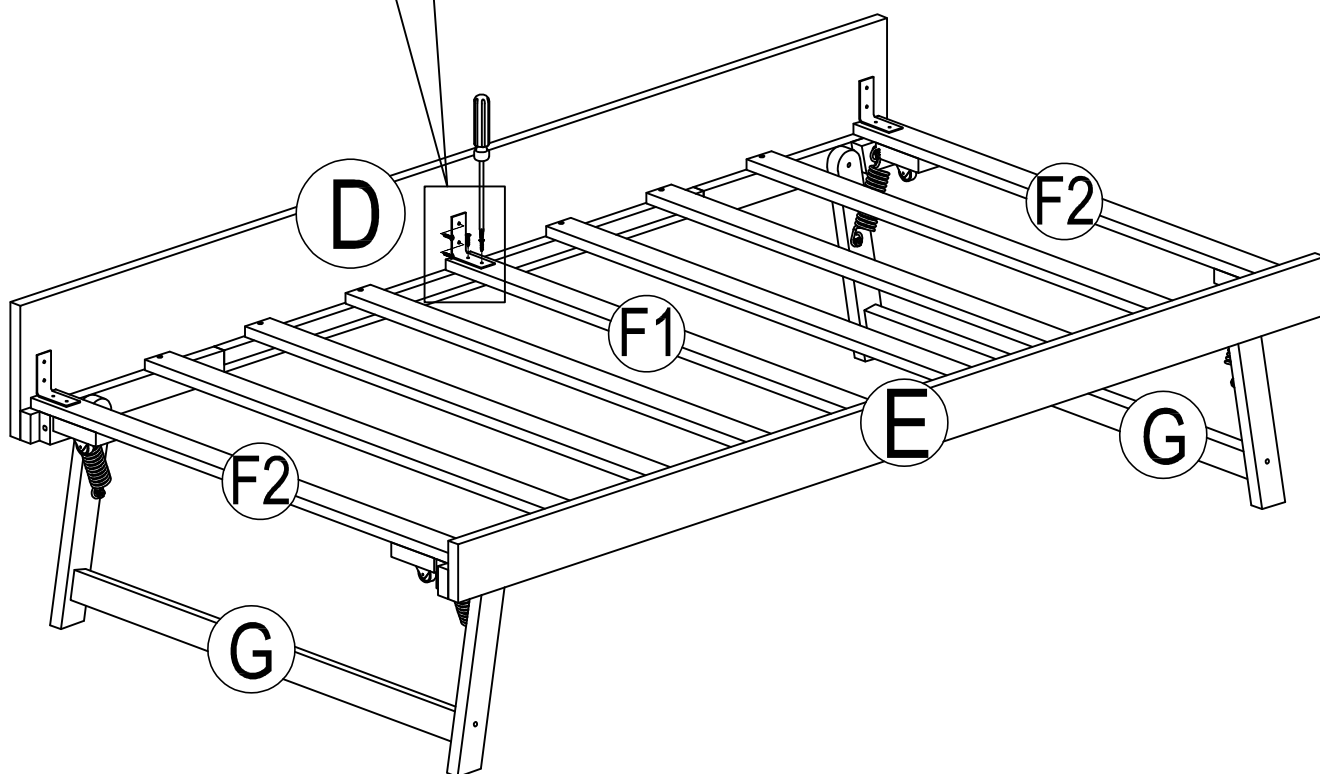
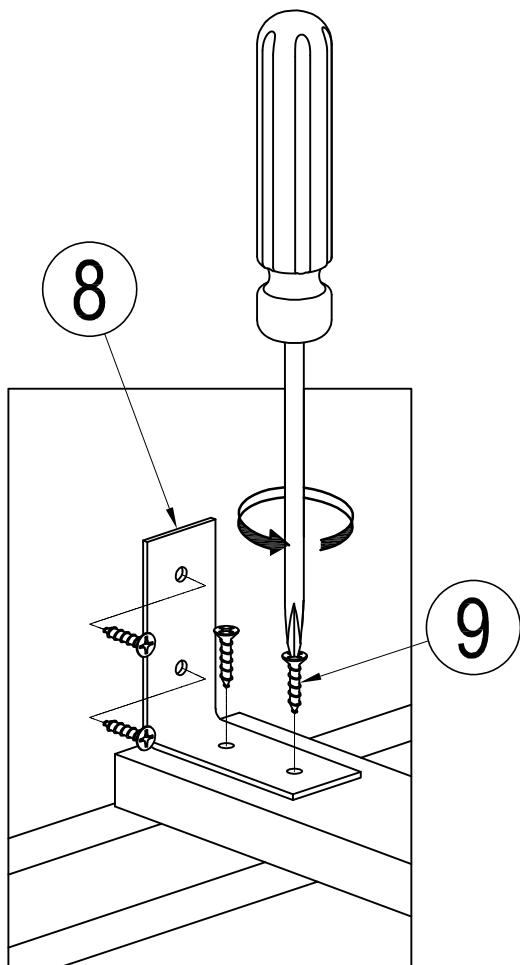
# STEP 6-2: Following below illustration:

4	
20pcs	



**STEP 7:** Following below illustration:

8		9	
3pcs		12pcs	



**STEP 8:** Following below illustration:

