

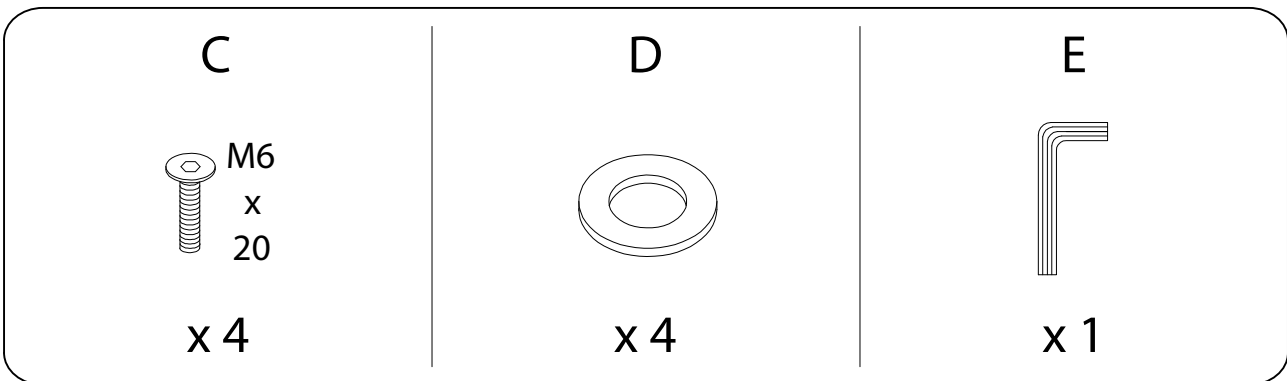
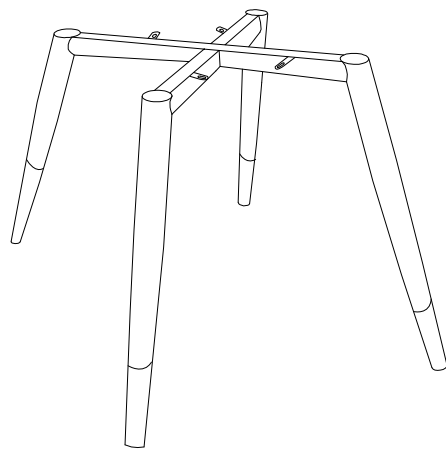
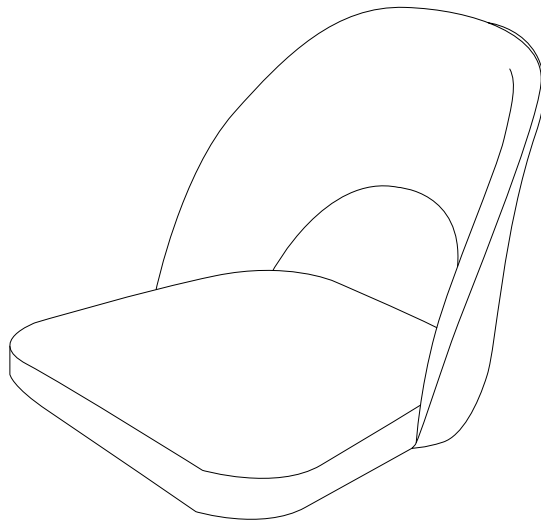
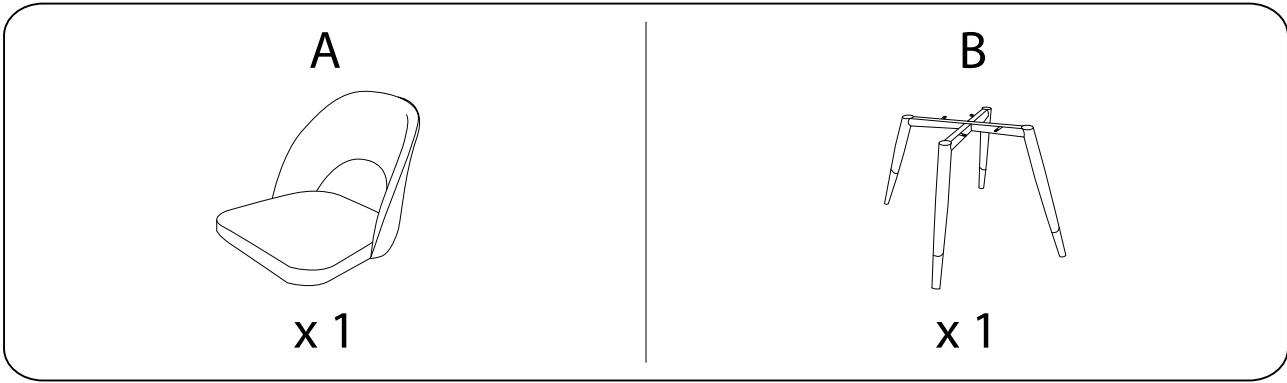
Assembly instructions for the chair, including safety warnings, tool requirements, and time/effort estimates.

**Warning 1:** Do not use a power drill. Use the provided L-shaped bracket.

**Warning 2:** Do not use a power drill on the seat. Use the provided square block.

**Time:** 20'

**Effort:** 1 person



1

