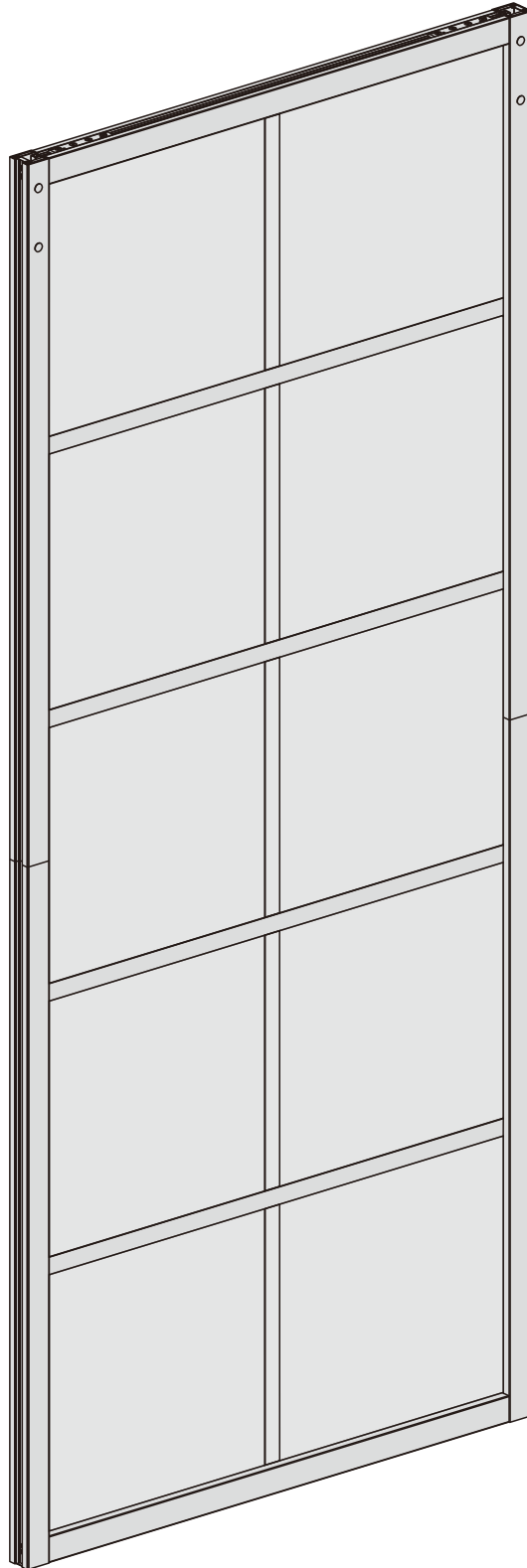
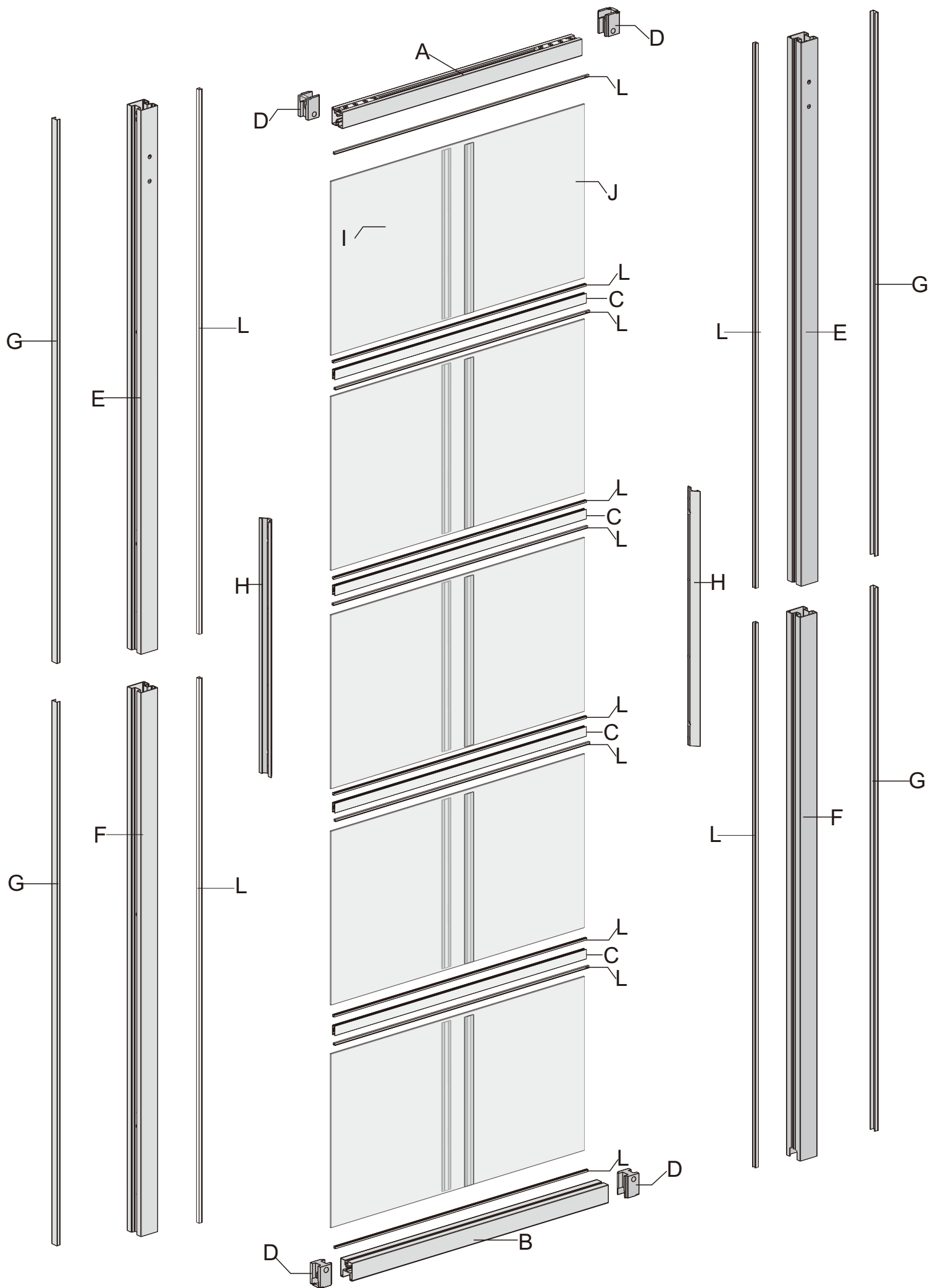
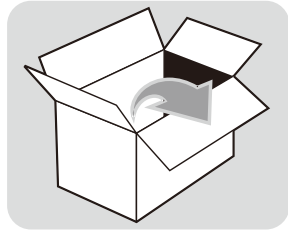


Installation Manual

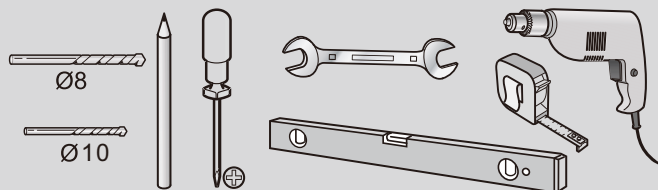
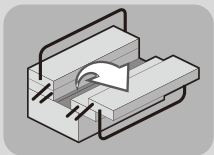
KDA01-30IN



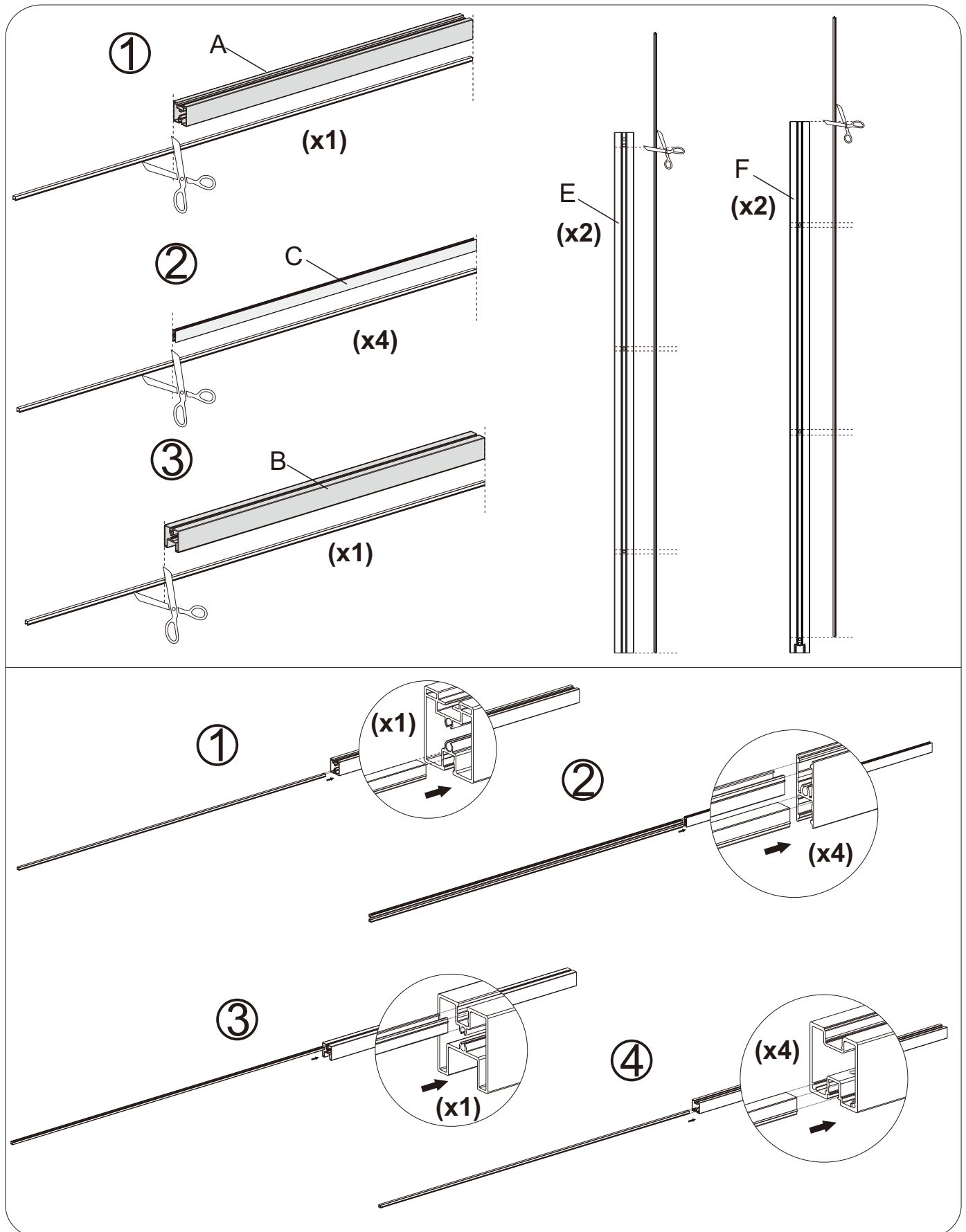




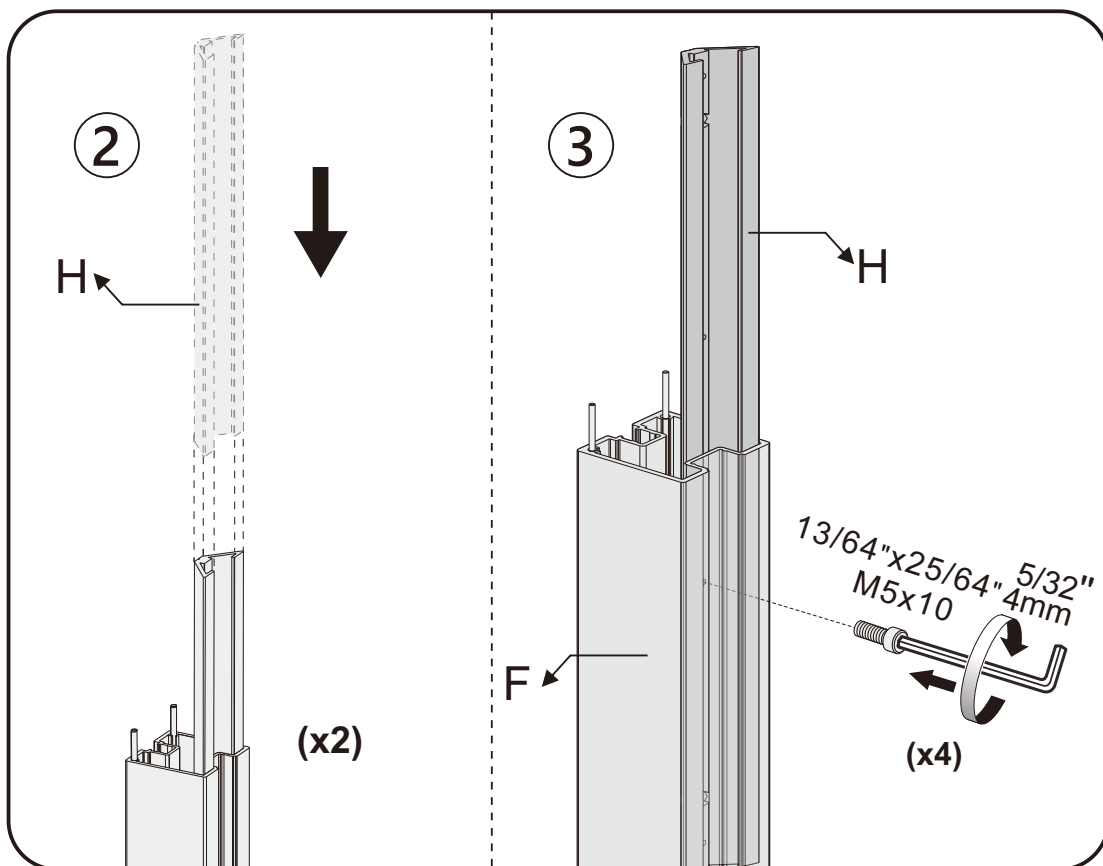
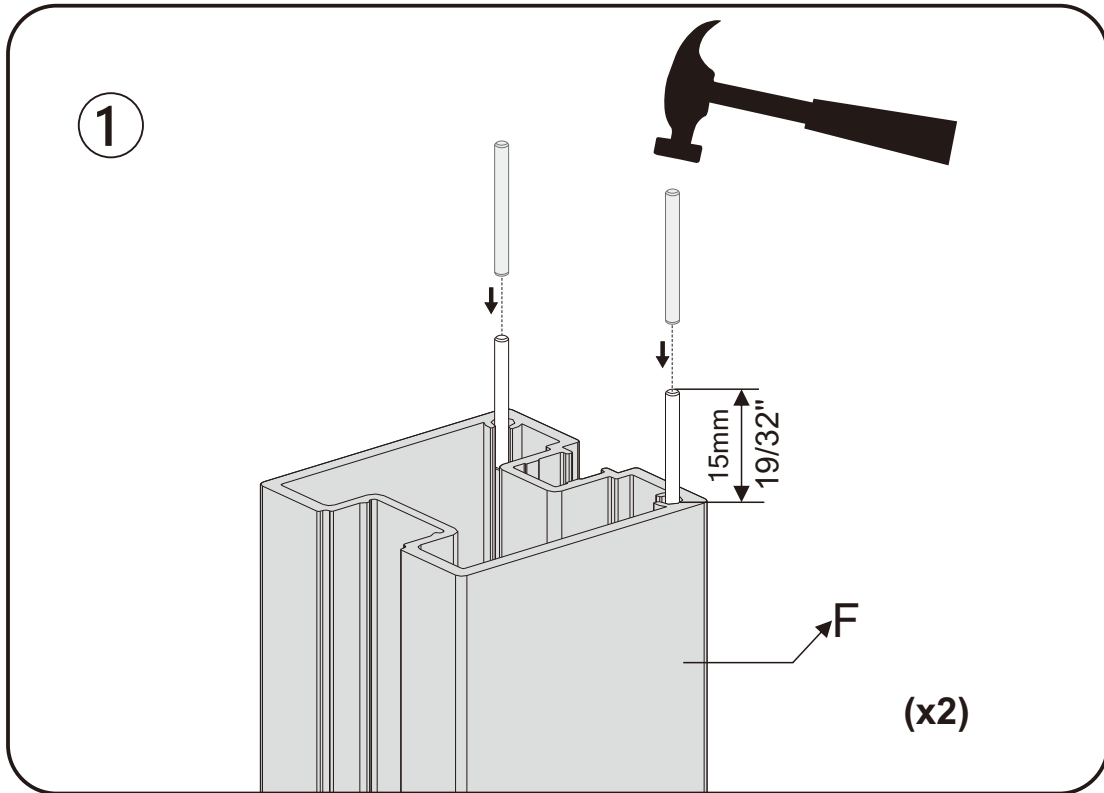
<p>A</p> <p>x1</p>	<p>B</p> <p>x1</p>	<p>C</p> <p>x4</p>	<p>D</p> <p>x4</p> <p>x4</p> <p>1/8"x35/64" St3x14 (x 8)</p>		
<p>E</p> <p>x2</p>	<p>F</p> <p>x2</p> <p>x4</p> <p>5/32"x1 3/16" M4x30(x10) Metal screw</p> <p>13/64"x1 3/16" M5x30(x4) Black screw</p>		<p>G</p> <p>x4</p>	<p>H</p> <p>x2</p> <p>(x8)</p> <p>13/64"x25/64" M5x10</p>	<p>I</p> <p>x10</p>
<p>J</p> <p>x5</p>	<p>K</p> <p>x8</p>	<p>L</p> <p>x14</p>	<p>M</p> <p>(x1)</p> <p>11/64"x63/64" ST4.2x25 (x 2)</p> <p>Ø8 (x 2) 5/16"</p> <p>N</p> <p>x1</p>		



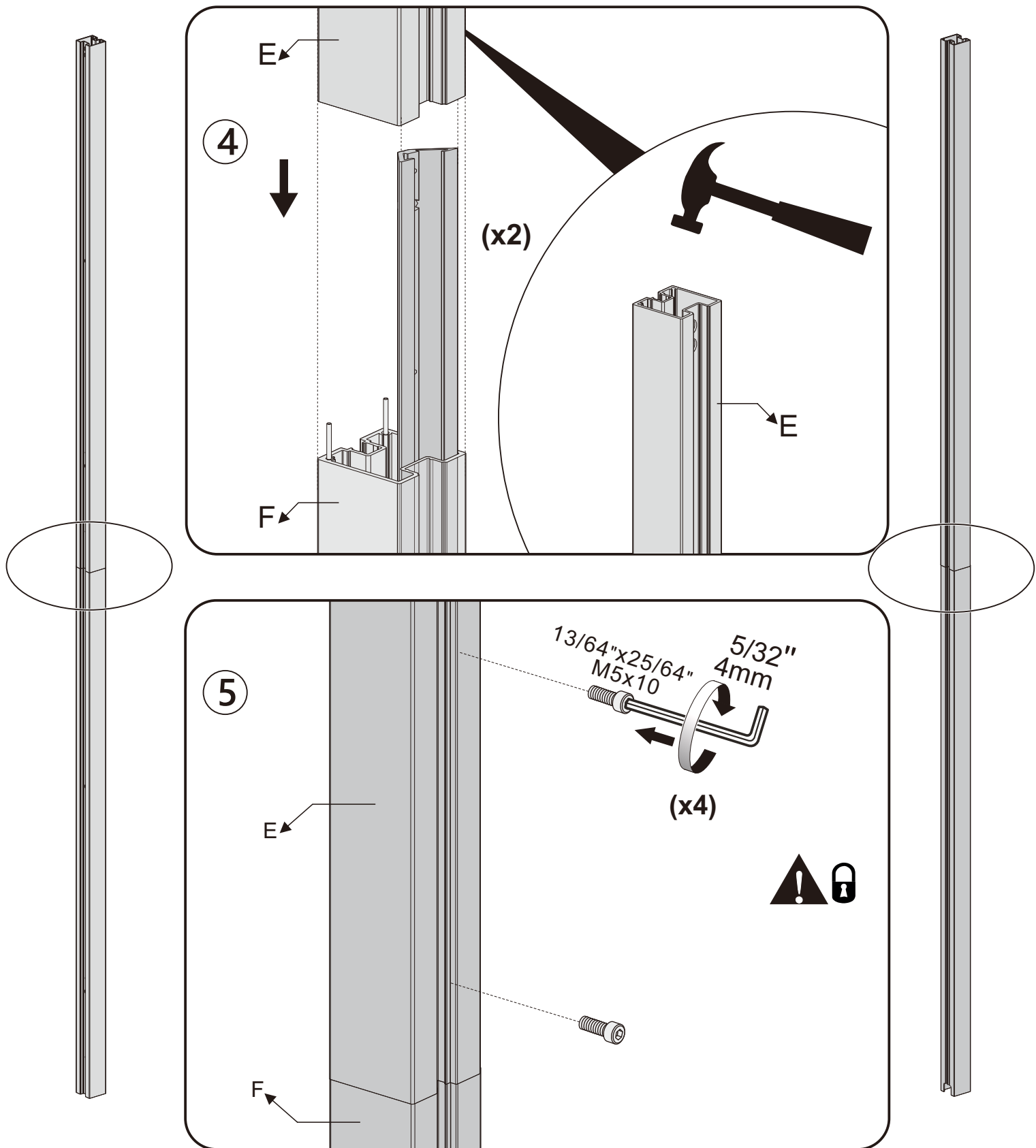
1. Cut the U-shaped strip (marked as shown in the figure: L) to the same length as the frame and the glass partition, and install it into the frame and the glass partition, do not block the screw hole.

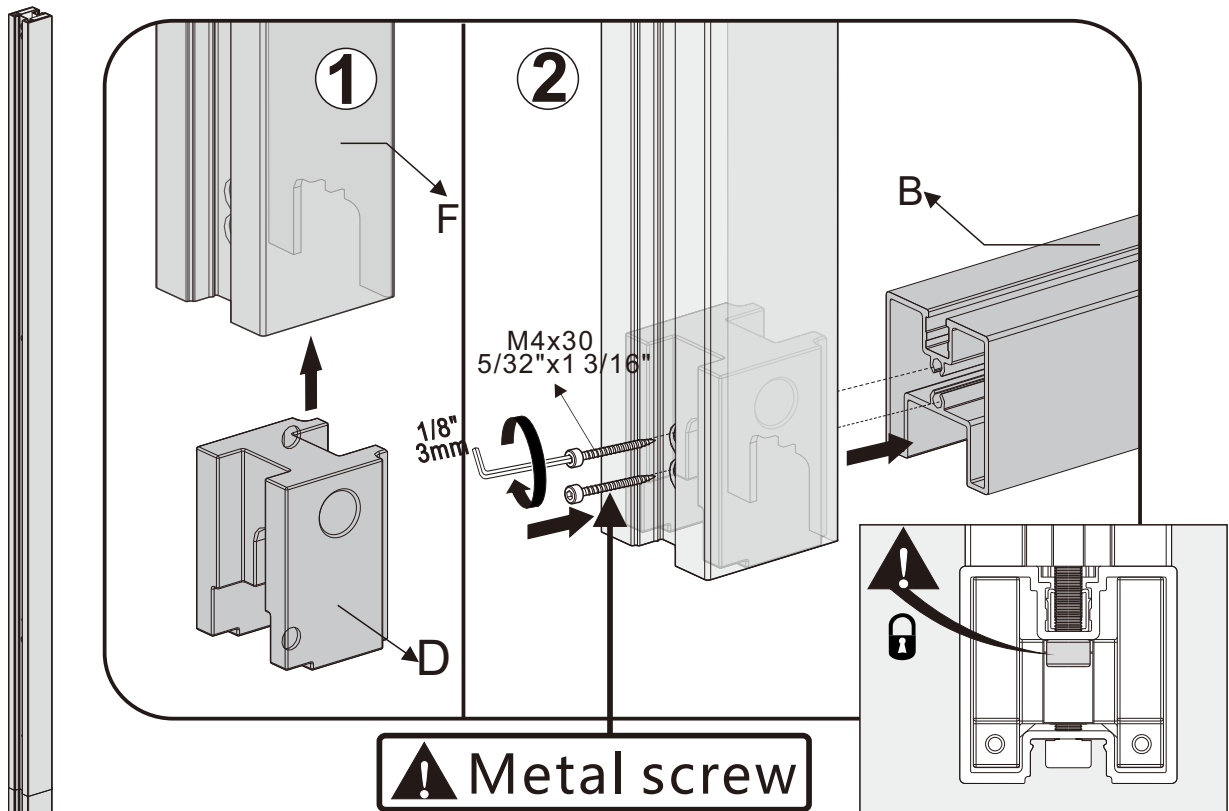


2. As shown in the picture, tap the elastic cylindrical pin into the frame with a hammer, insert the frame connector into the frame and fix it with screws.

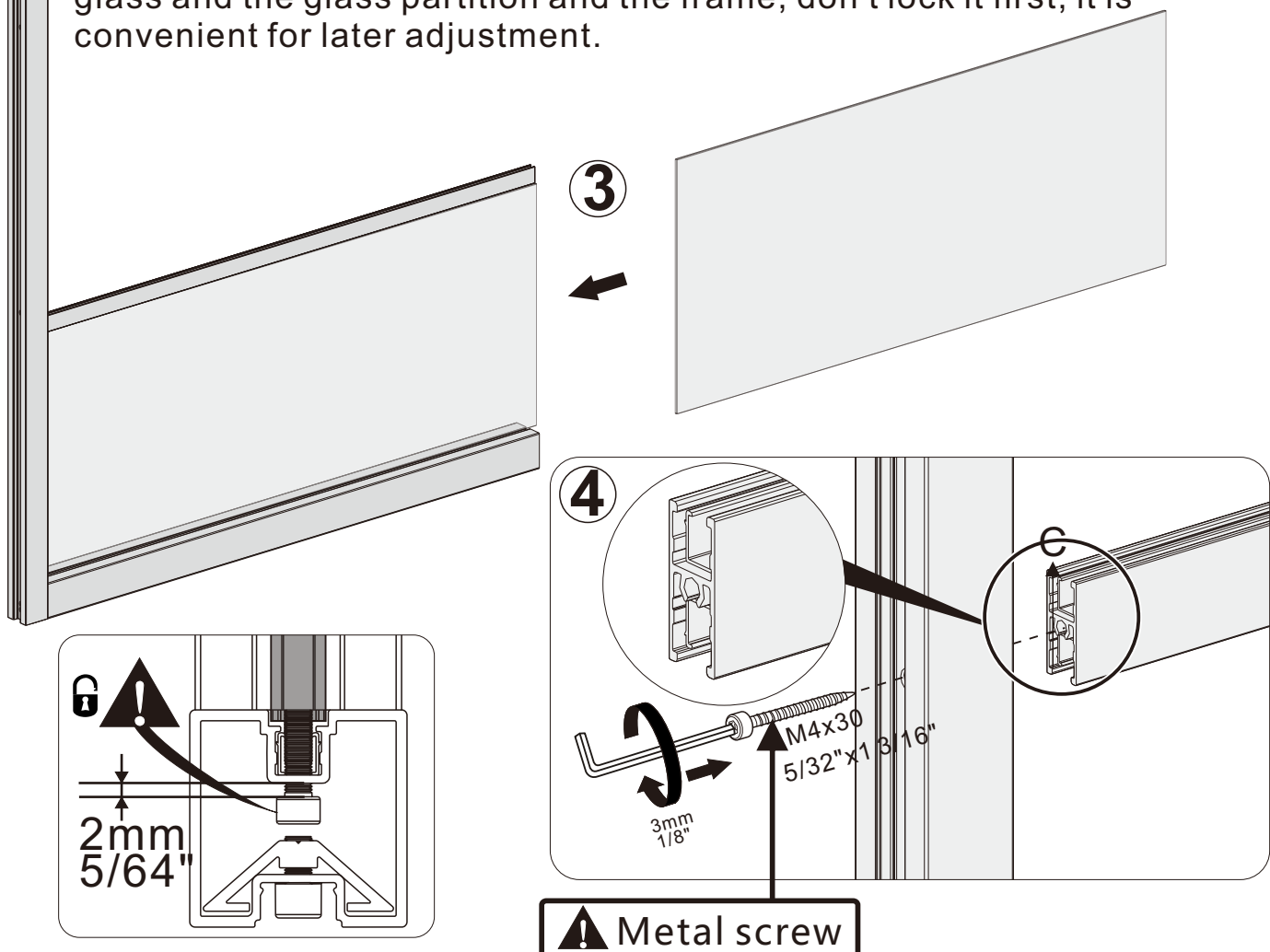


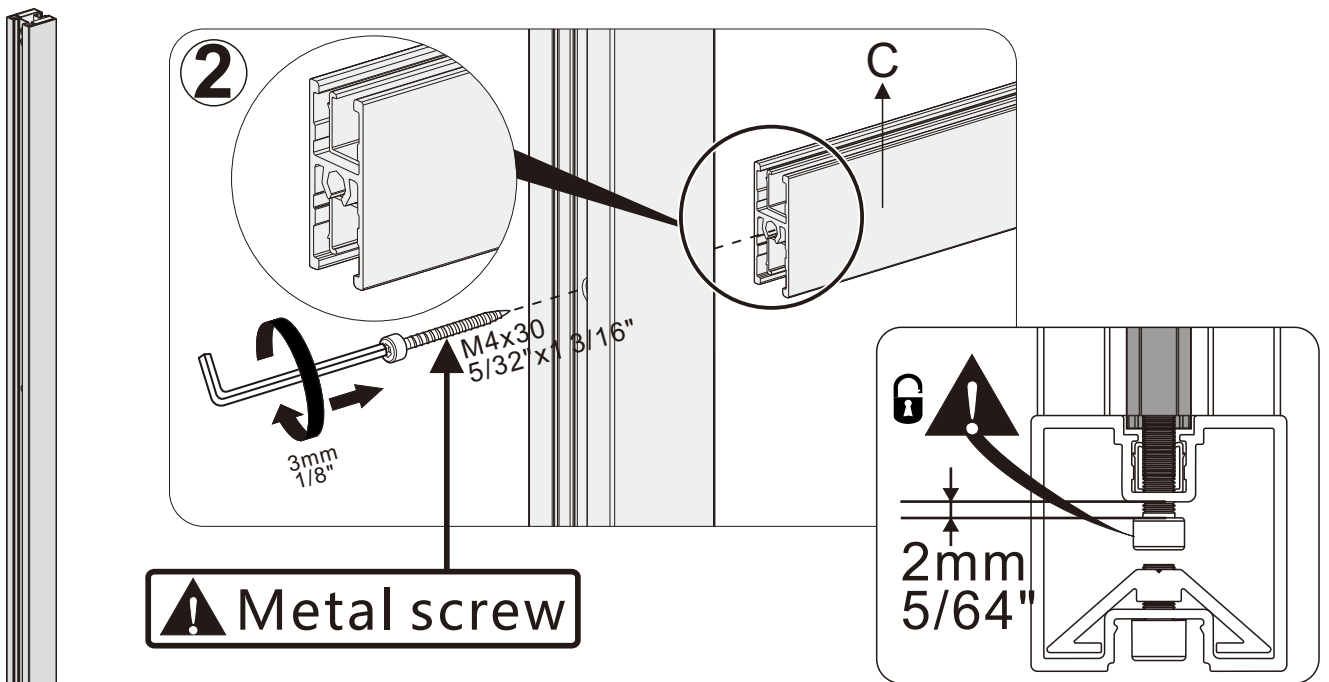
3. Connect the two frames, fix and lock with screws.



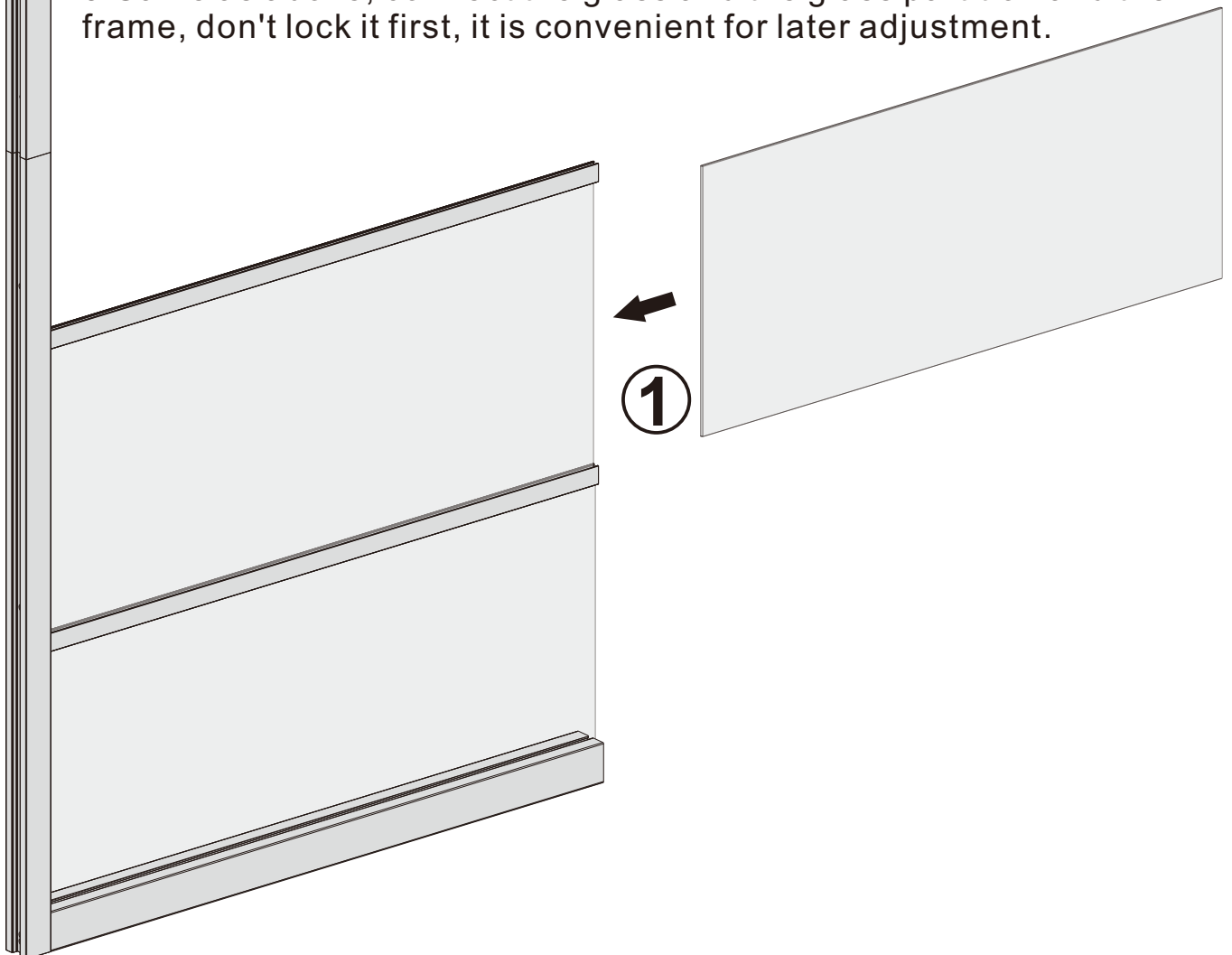


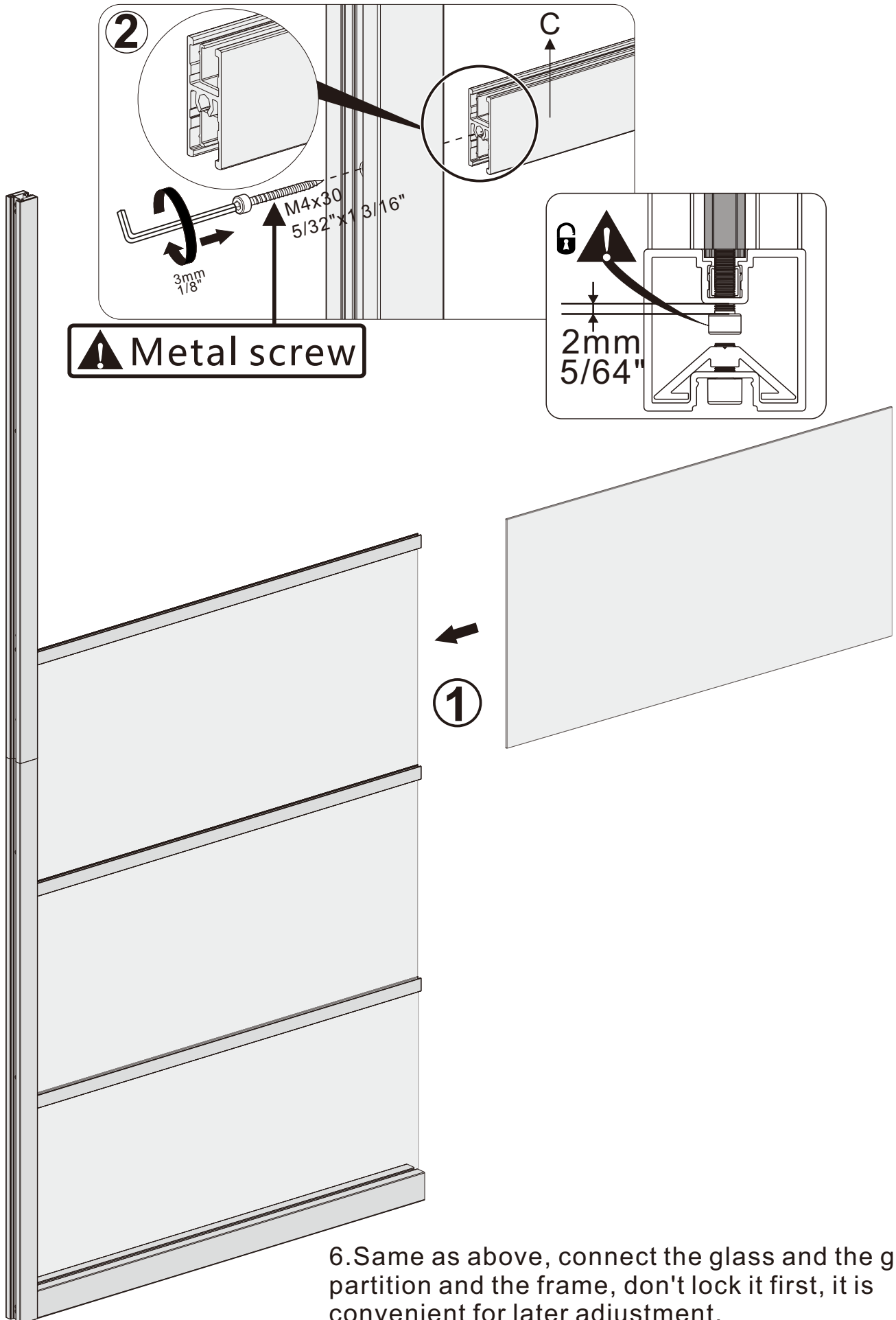
4. Put the plug into the frame, fix it with screws and lock it. Connect the glass and the glass partition and the frame, don't lock it first, it is convenient for later adjustment.



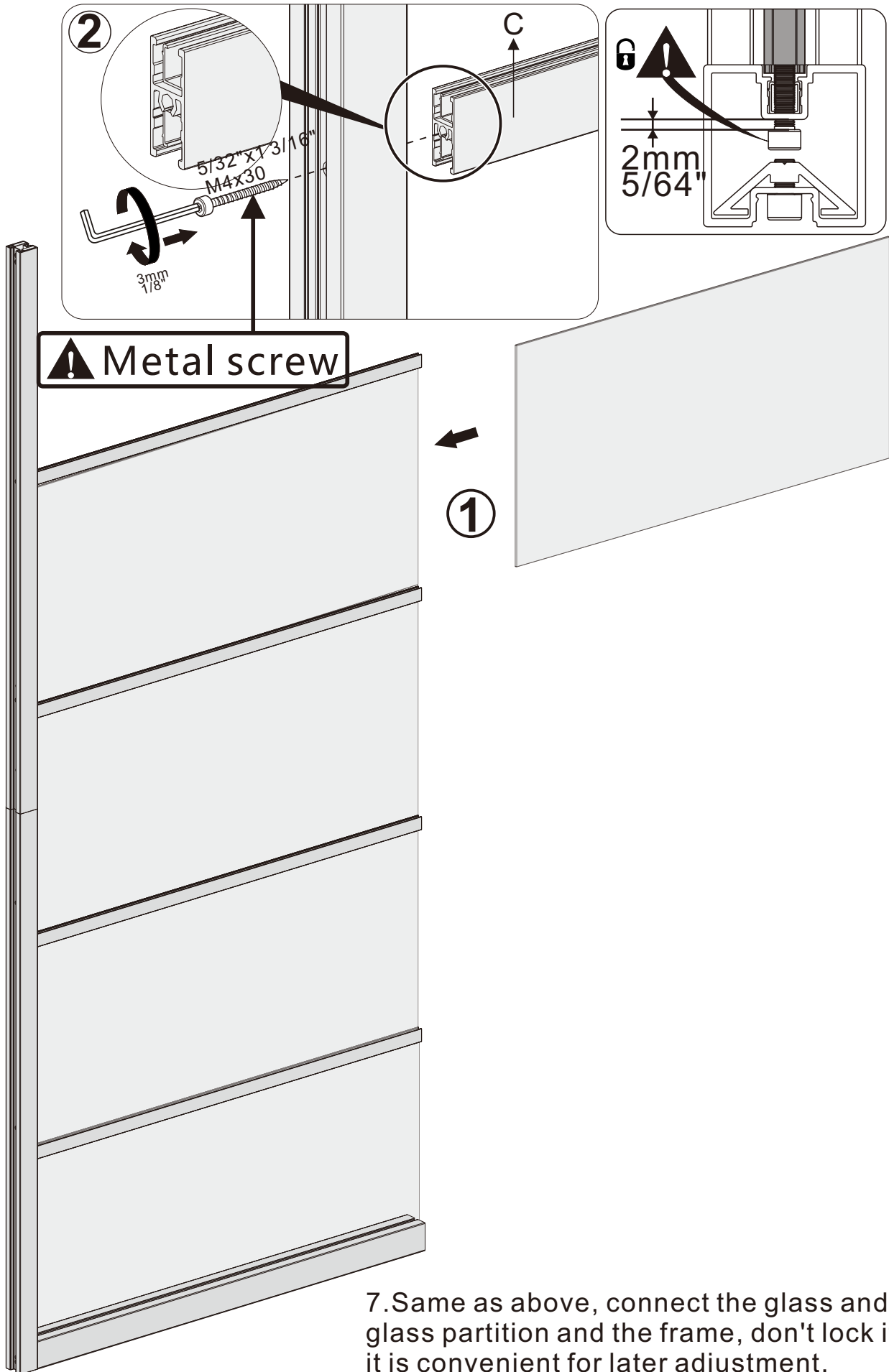


5. Same as above, connect the glass and the glass partition and the frame, don't lock it first, it is convenient for later adjustment.

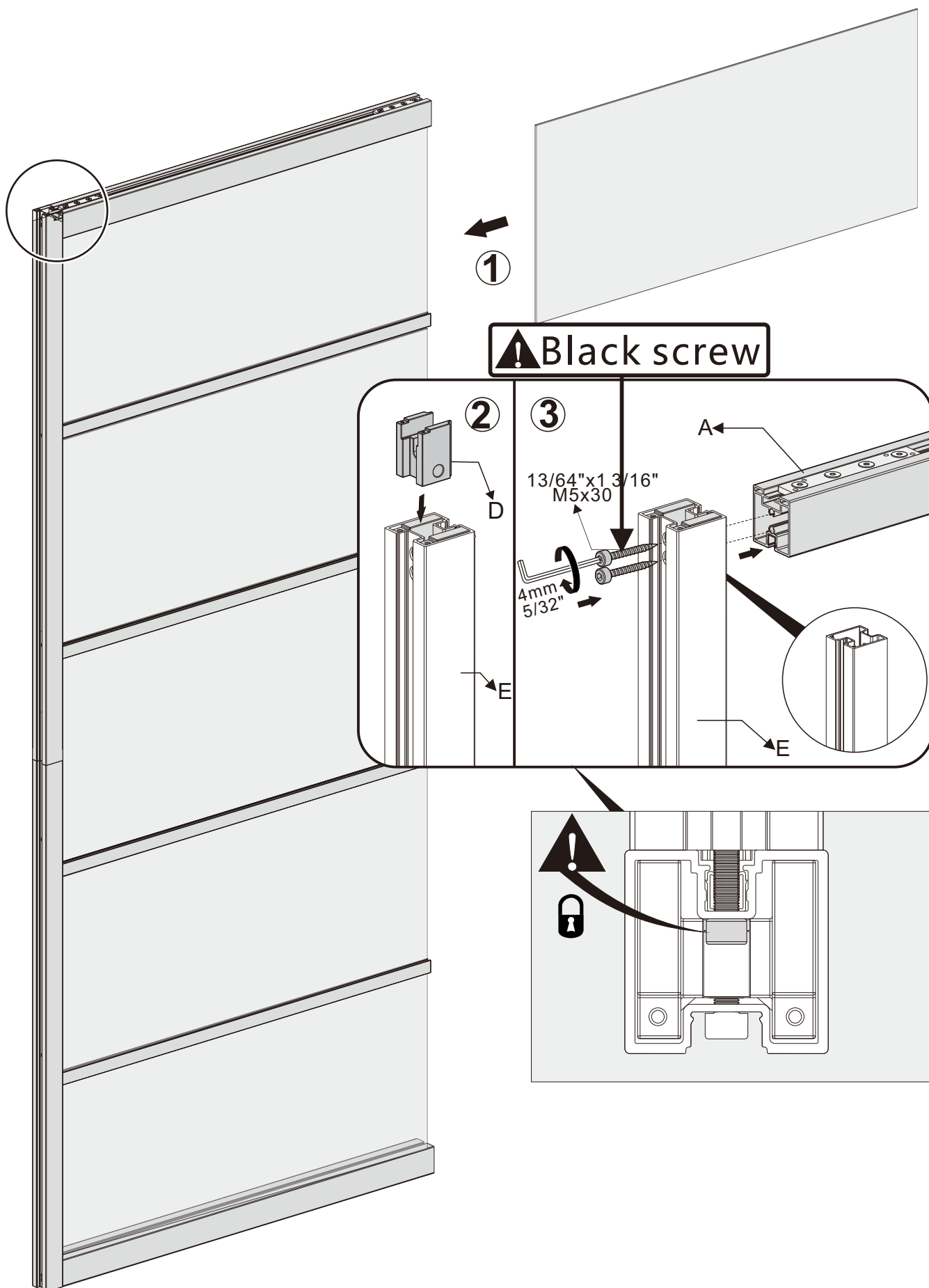




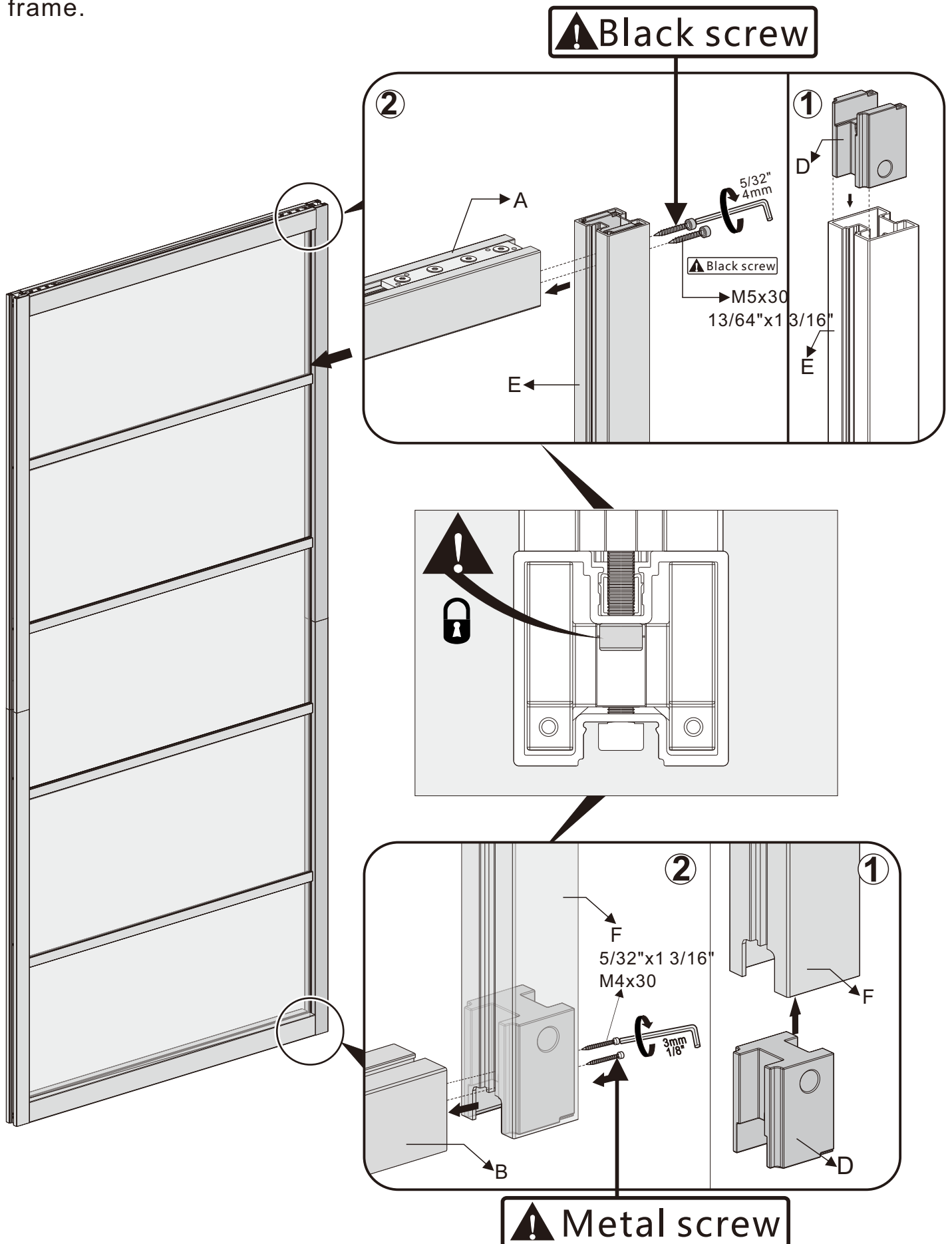
6. Same as above, connect the glass and the glass partition and the frame, don't lock it first, it is convenient for later adjustment.



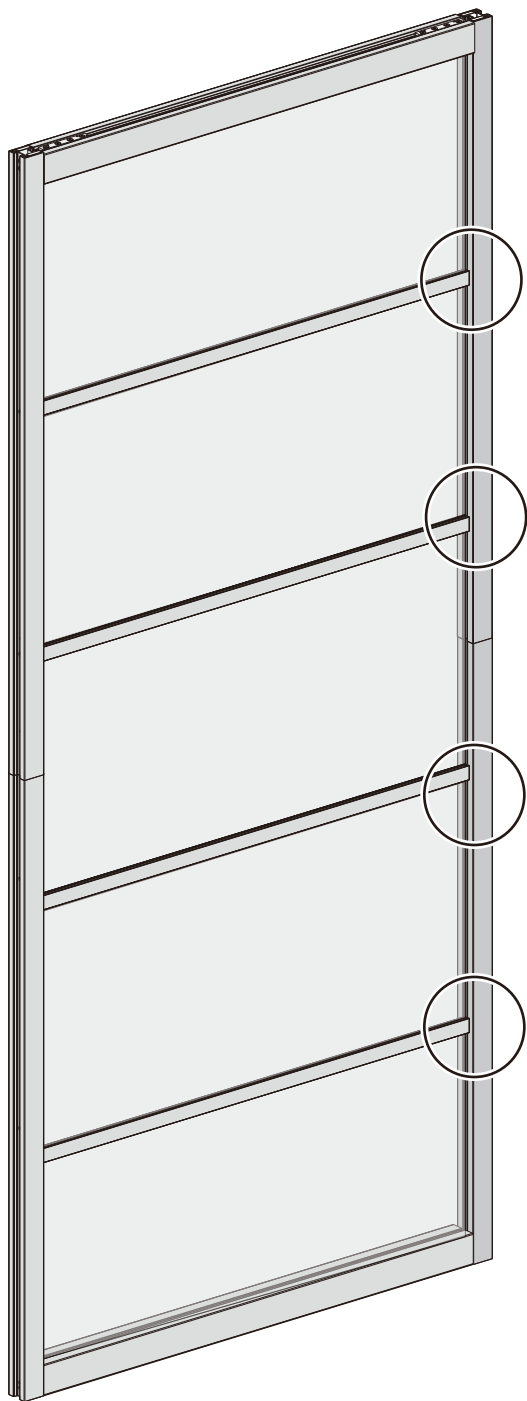
8. After all 5 pieces of glass are connected, insert the plug into the frame to lock.



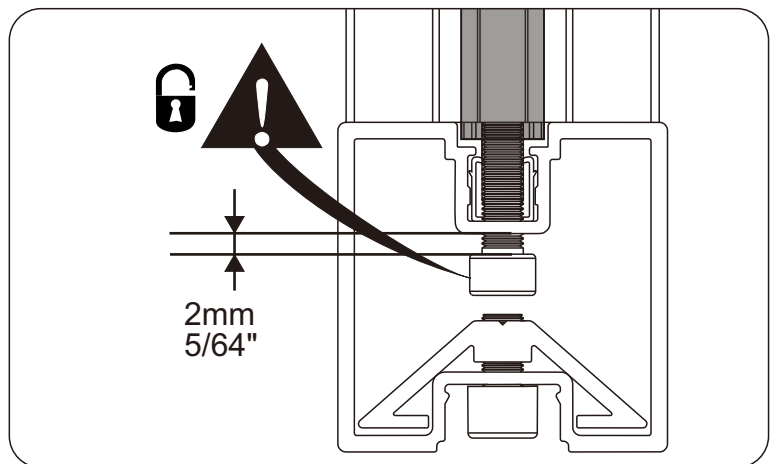
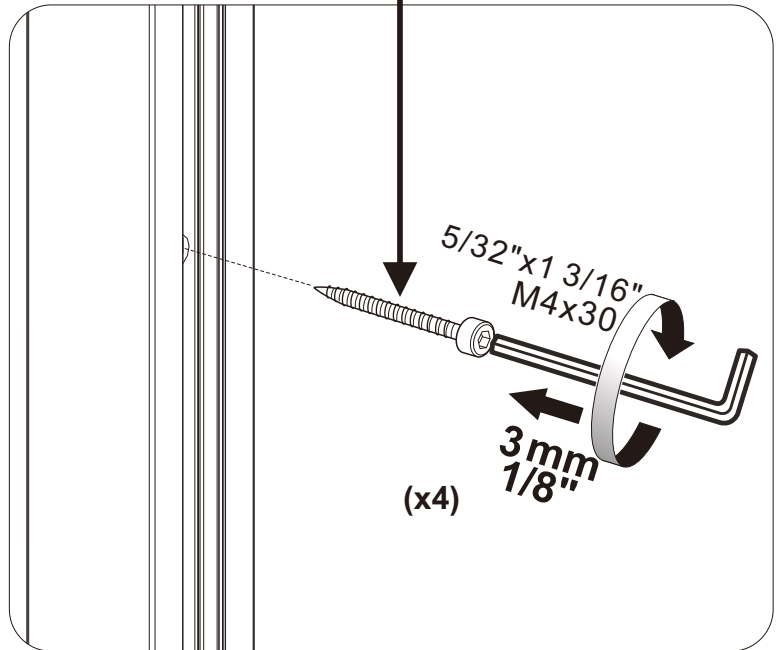
9. Install the plug into the frame and lock it, and connect the other side of the frame.



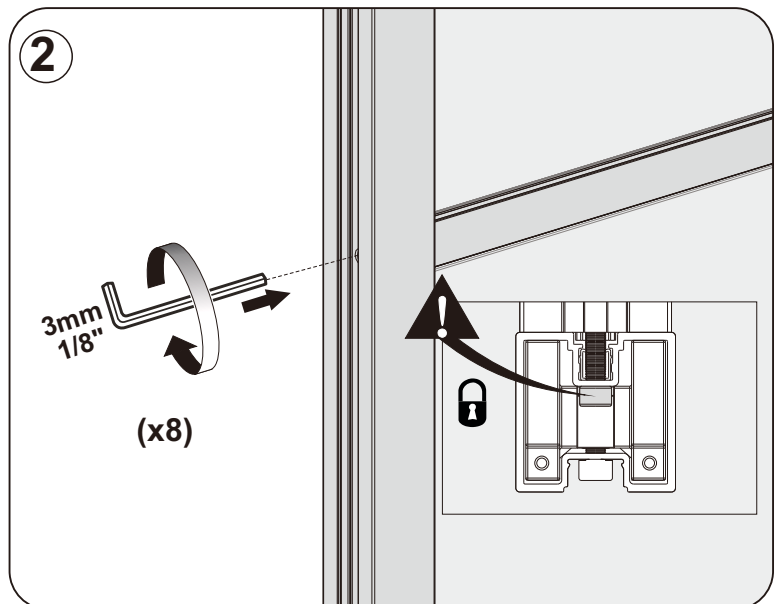
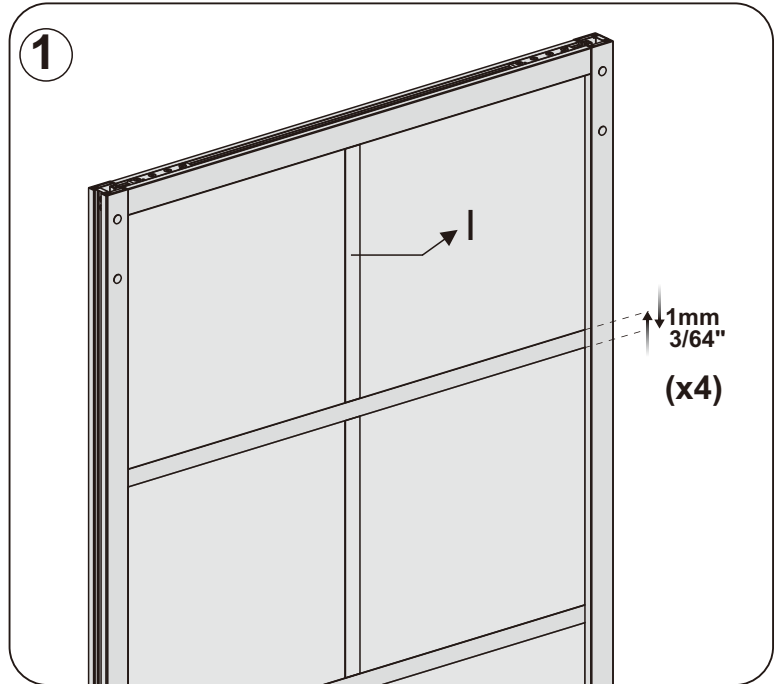
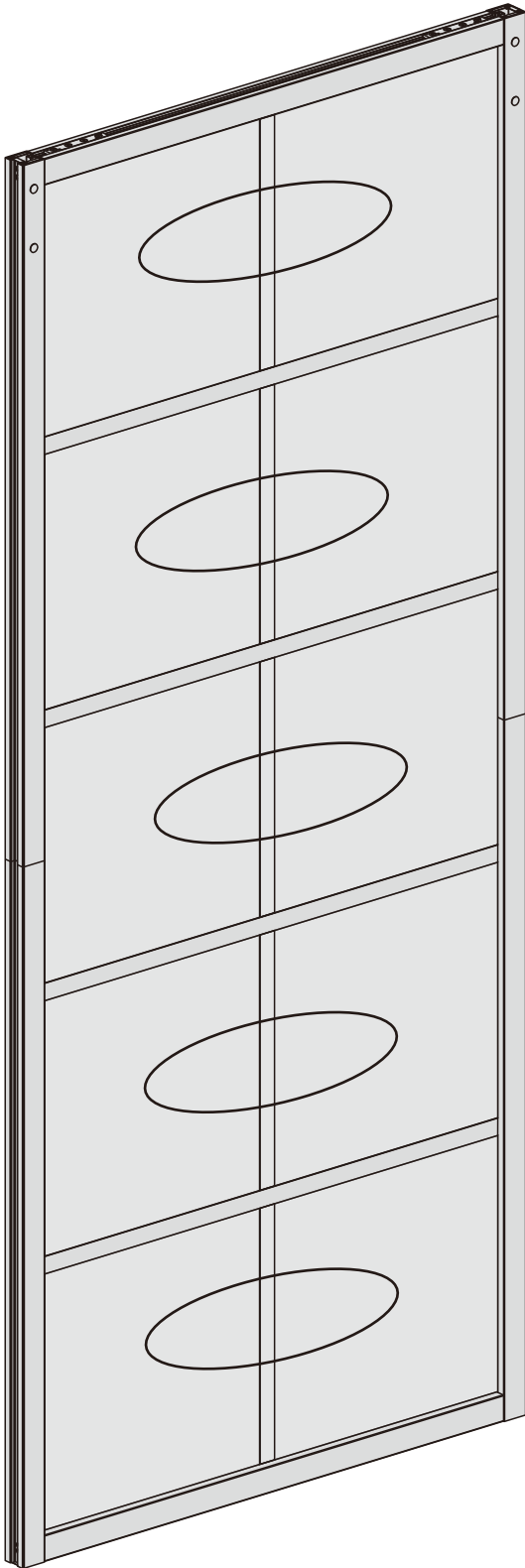
10. As shown in the figure, fix all the frames, but do not lock the screws, it is convenient for later adjustment.



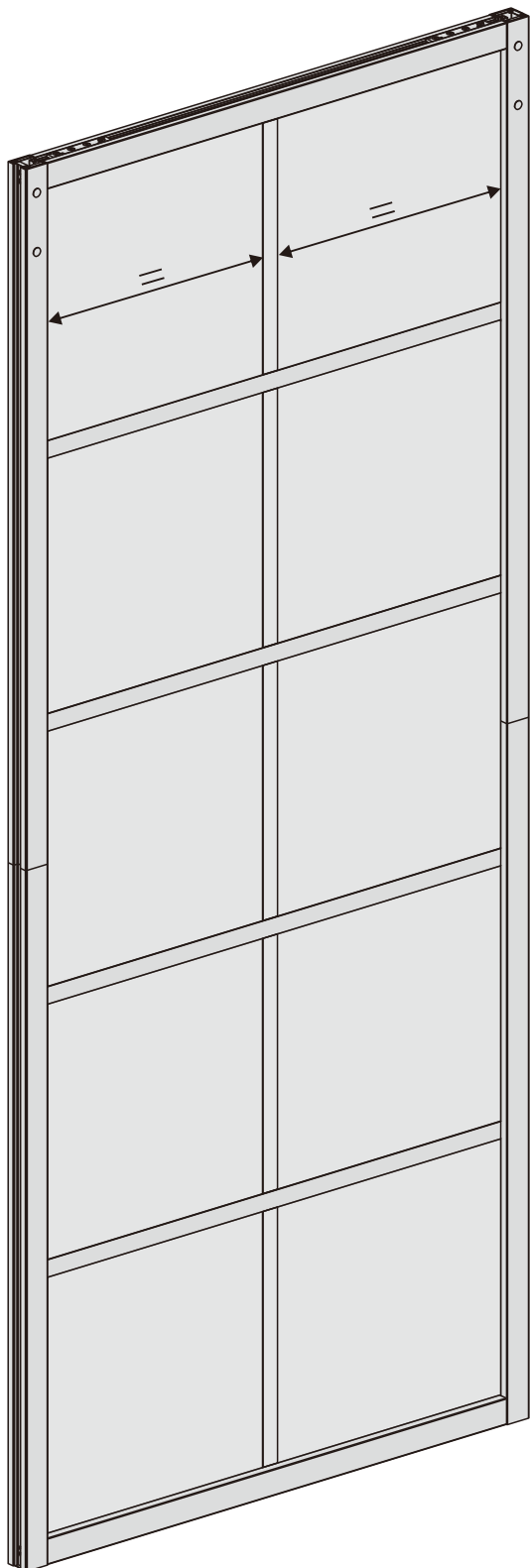
! Metal screw



11. Place the decorative pieces of spacers on both sides of the glass and adjust them to prevail. Then tighten all the frame screws in the previous step to lock the frame.



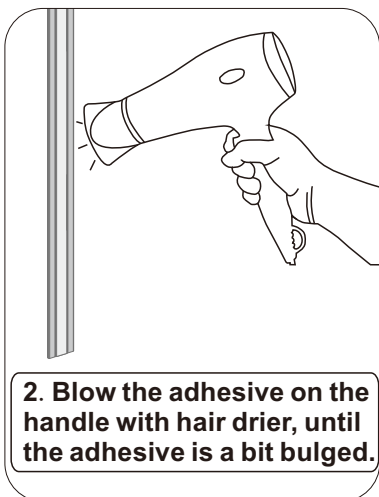
12.As shown in the figure



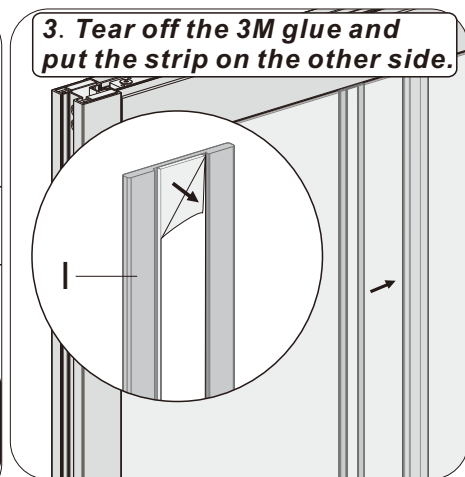
1. Clean the two face of the glass with a bit alcohol.



2. Blow the adhesive on the handle with hair drier, until the adhesive is a bit bulged.



3. Tear off the 3M glue and put the strip on the other side.

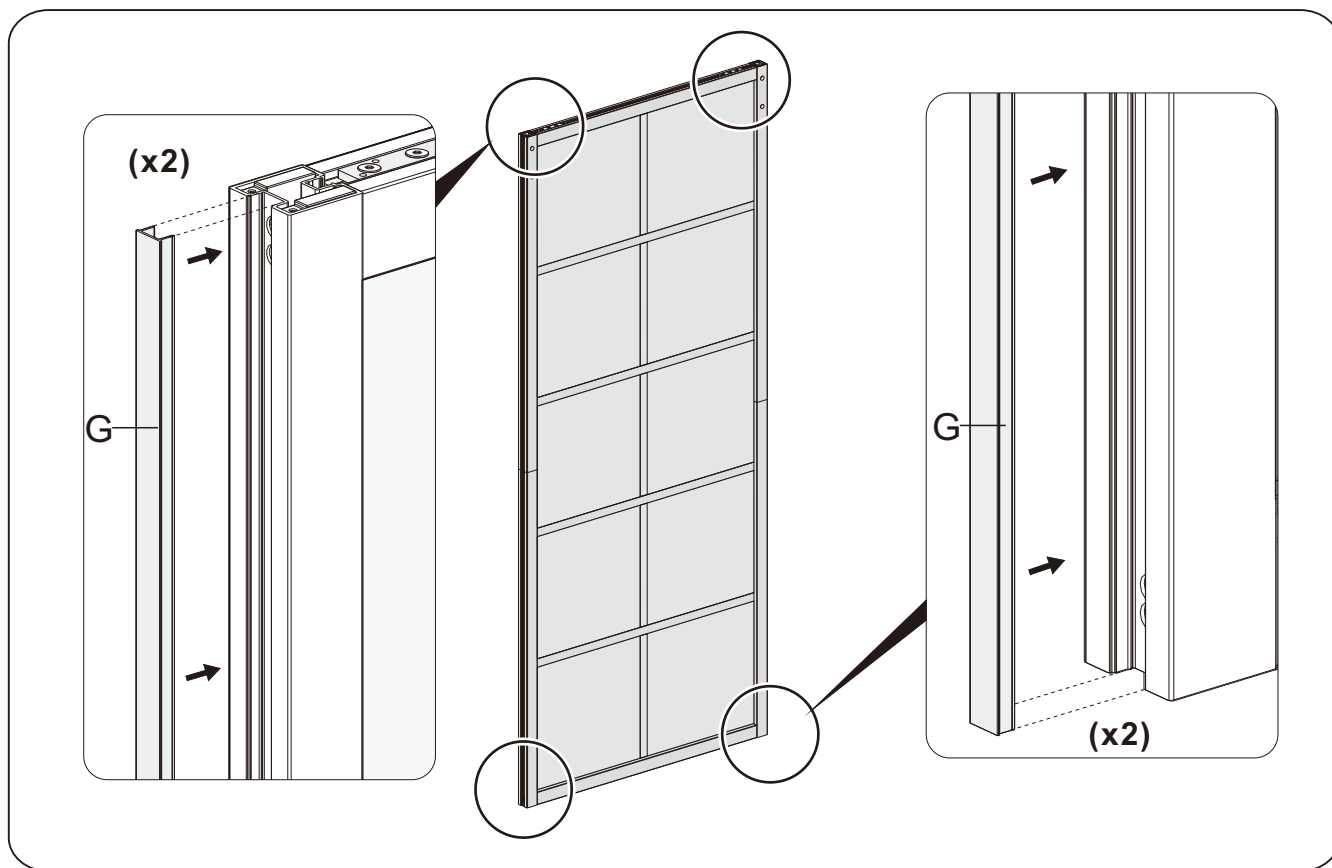


4. Put the two strips on the glass and let them stand for 24 hours before using.

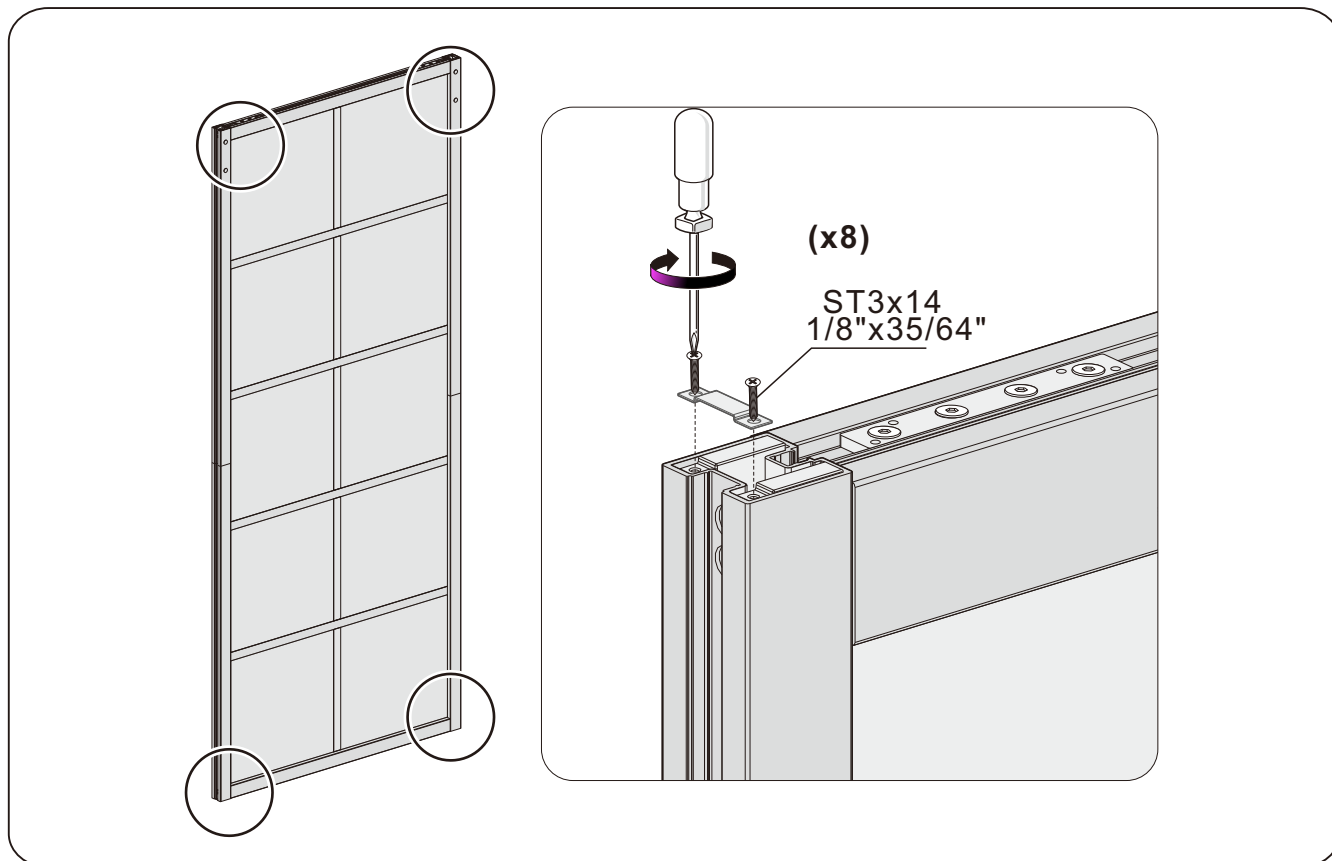


24H

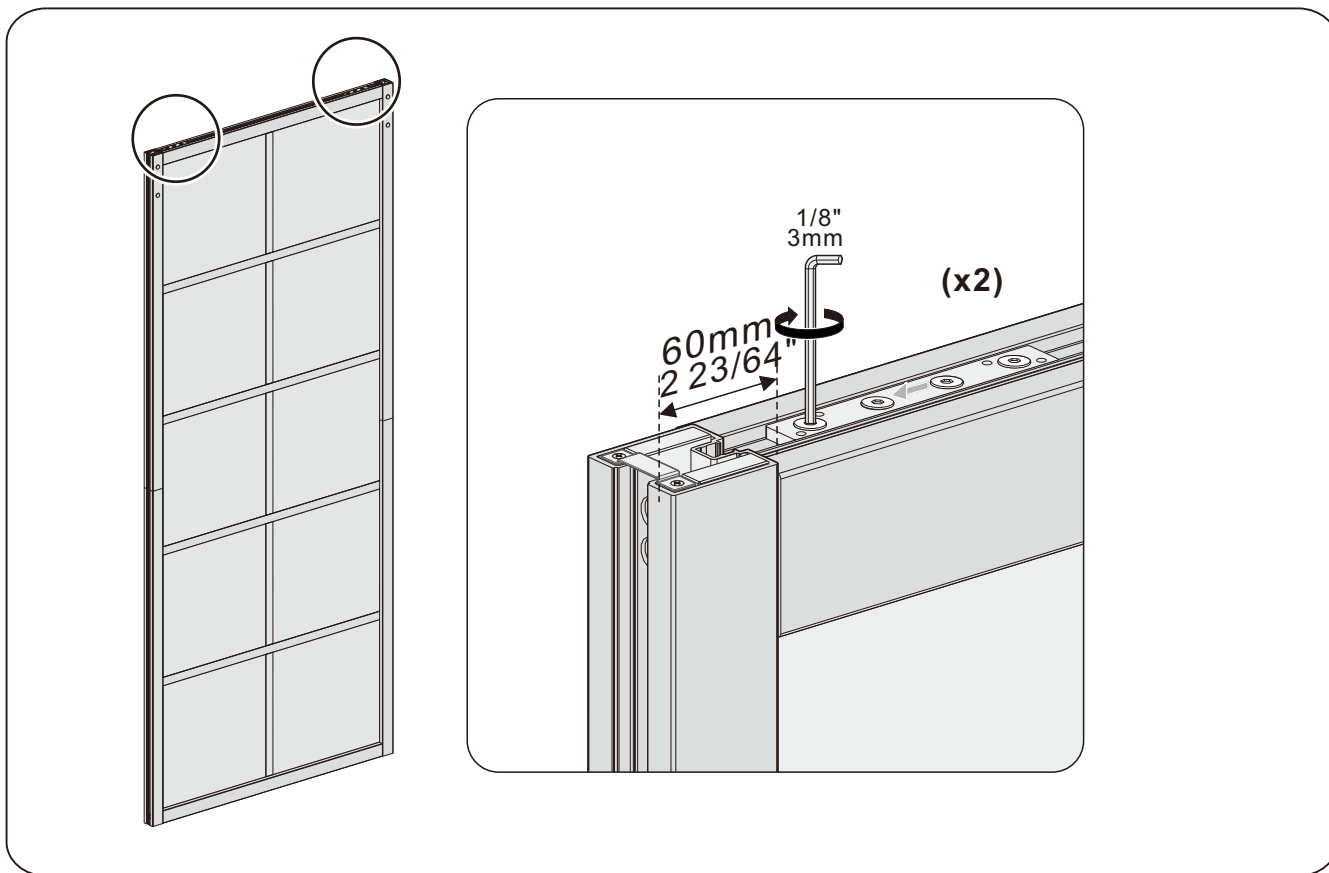
13. Insert the decorative cover buckle into the frame, pay attention to prevent deformation.



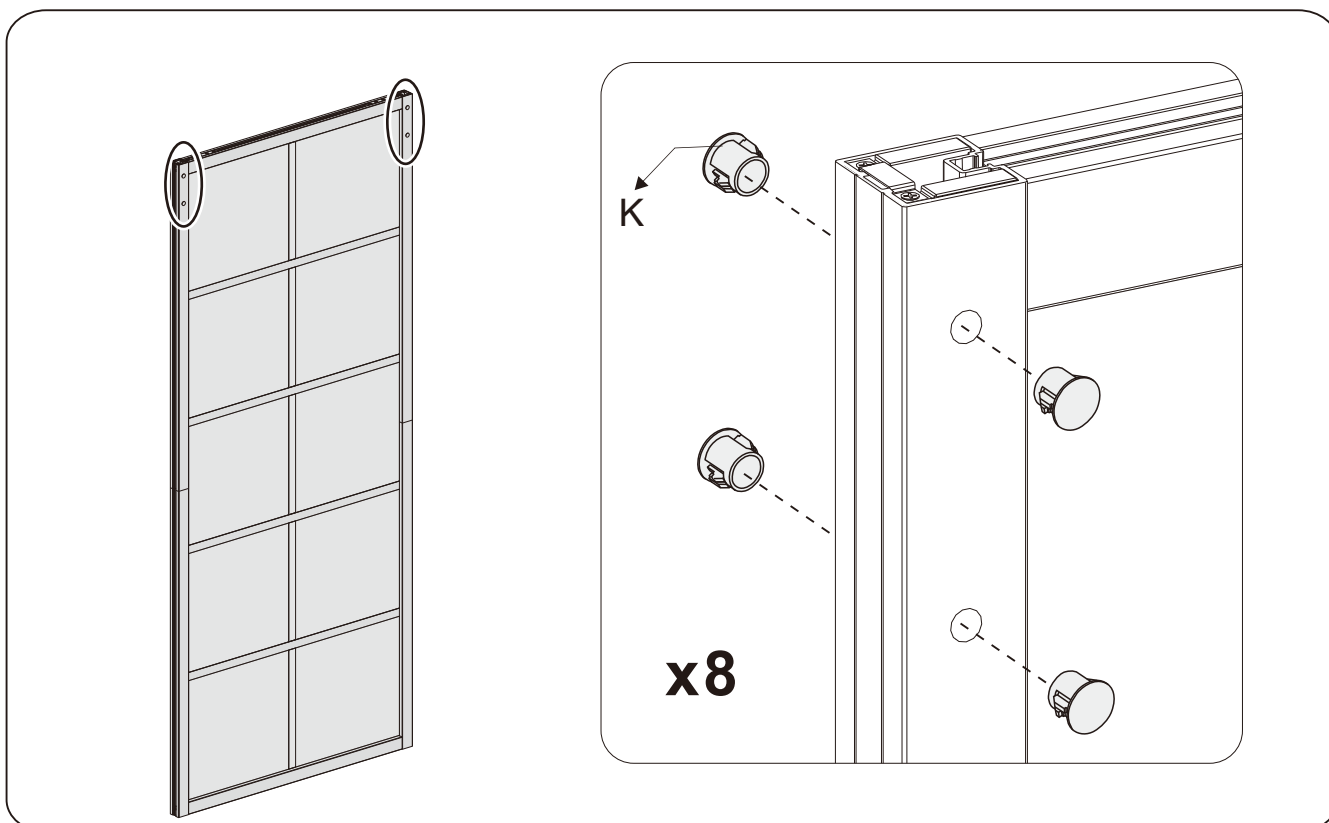
14. As shown in the figure, install the sealing pieces on the four corners of the door.



15 Adjust the position of the hanger connector, the distance from the hanger connector to the door is 60mm.



16. Install the decorative cover into the holes on both sides of the door (if you use a top-mounted hanger, buckle the decorative cover; if you use side-mounted hanger, don't need the decorative cover).



17. Install the floor guide, pay attention to keep the distance between the door and the ground 10mm.

