

# Assembly Instructions



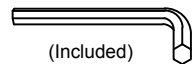
## ASSEMBLY RATING

The Assembly Rating is a 5-point system that shows the degree of effort needed in assembling a specific product (with 1 being easy and 5 being difficult). For some products, two persons are recommended.

EASY  DIFFICULT

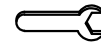
## Tools Required For Assembly:

Allen Wrench



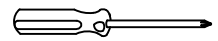
(Included)

Wrench



(Included)

Phillips Screwdriver



(Not Included)

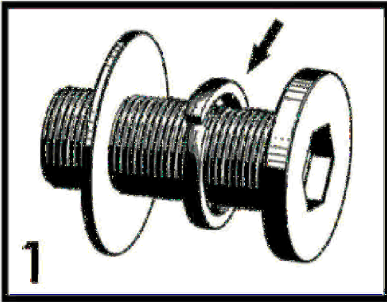


2 PERSONS RECOMMENDED

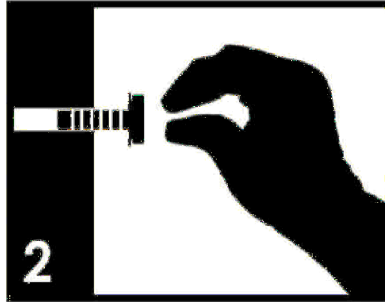
# ASSEMBLY & CARE ADVICE

FOR YOUR FURNITURE TO LAST, CORRECT ASSEMBLY AND PROPER MAINTENANCE ARE NECESSARY. PLEASE FOLLOW THE INFORMATION PROVIDED BELOW TO FULLY ENJOY YOUR FURNITURE.

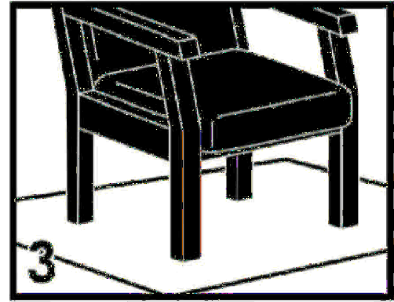
## BASIC ASSEMBLY TECHNIQUES



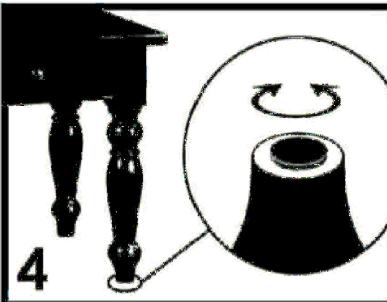
1  
When lock or spring washer is used in an assembly, please make sure the lock or spring washer is placed between the larger flat washer and the head of the screw or bolt.



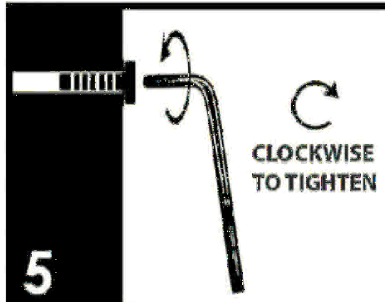
2  
Position each part correctly and insert screws or bolts into their respective holes by hand tighten or using the proper hand tool. Only tighten when step is completed or when instructed to do so.



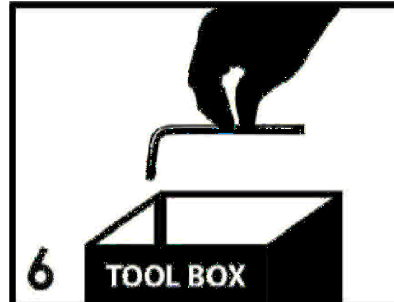
3  
Use cardboard or carpet area when assembling furniture to prevent scratches. Make sure the furniture rests on a flat and level surface with each leg evenly touching the floor.



4  
Some furniture comes with height adjustment knobs underneath each leg. To lower or to raise each leg, you need to turn clockwise or counterclockwise, respectively.



5  
Make sure all parts are properly aligned, then use the appropriate hand tool to completely tighten the bolts or screws. Do not use power tools and do not over-tighten.

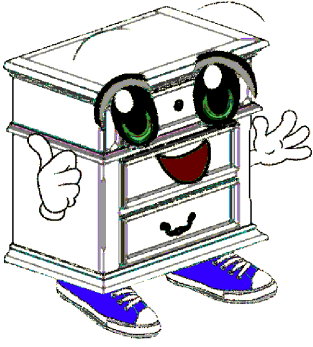


6  
Save the instructions and store the Allen wrench or any supplied tool for later maintenance. After two weeks, check and tighten any loose hardware and repeat again every six months thereafter.

IT IS THE USER'S RESPONSIBILITY TO MAINTAIN THE FURNITURE. THE HARDWARE MAY LOOSEN OVER TIME AND MAY CAUSE THE FURNITURE TO BE WOBBLY AND UNABLE TO SUPPORT ITS INTENDED WEIGHT CAPACITY. THIS MAY LEAD TO COLLAPSE AND MAY CAUSE SERIOUS INJURY.



**FAILURE TO FOLLOW THE GUIDELINES ABOVE MAY RESULT IN INJURY AND/OR PROPERTY DAMAGE.**



Before you begin, please read Page 2 of "Assembly and Care Advice".

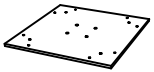
And remember, do not tighten until each step is completed or instructed.

### Parts List

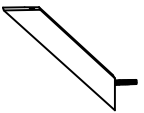
### Hardware List



#1 x 1pc  
Table Top



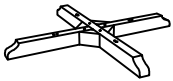
#2 x 1pc  
Lower Panel



#3 x 8pcs  
Support Rail



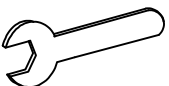
#4 x 1pc  
Post



#5 x 1pc  
Base



#J x 16pcs  
Wood Dowel  $\text{Ø}10 \times 1-1/8$ "



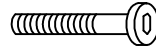
#K x 1pc  
Key wrench



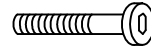
#L x 1pc  
Allen Wrench 4mm



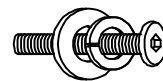
#A x 4pcs  
Bolt  $\text{Ø}5/16$ " x 2-1/2"



#B x 4pcs  
Bolt  $\text{Ø}1/4$ " x 2-1/2"



#C x 4pcs  
Bolt  $\text{Ø}5/16$ " x 1-1/4"



#D x 12pcs  
Short Bolt  $\text{Ø}1/4$ " x 1"



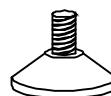
#E x 8 pcs  
Lock washer  $\text{Ø}5/16$ "



#F x 8pcs  
Flat washer  $\text{Ø}5/16$ "



#H x 8pcs  
Nut  $\text{Ø}5/16$ "



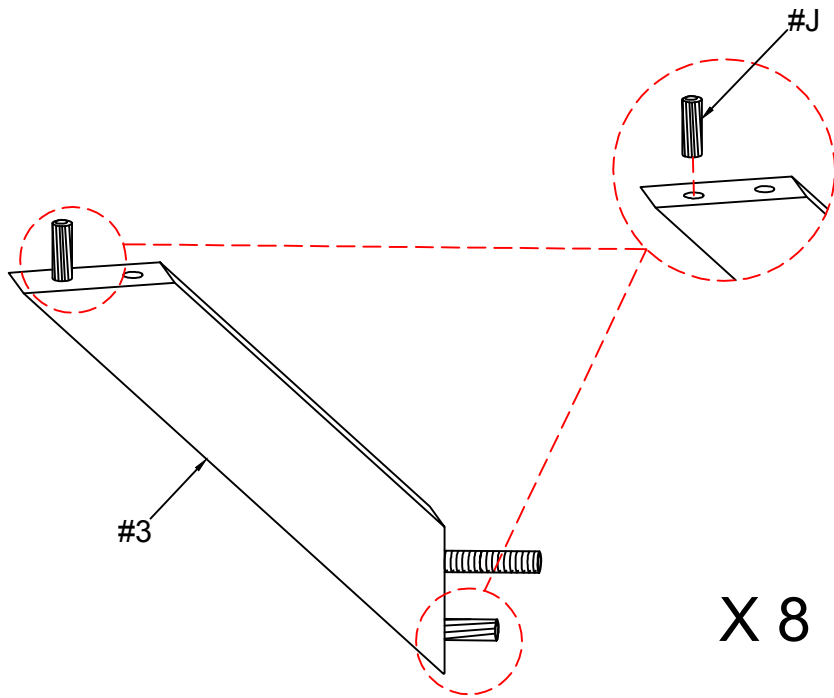
#I x 4pcs  
Leveler  $\text{Ø}5/16$ "



#1

Insert 2 wood dowels (#J) to each side of support rails (#3). Do this 8 times.

#J x 2pcs



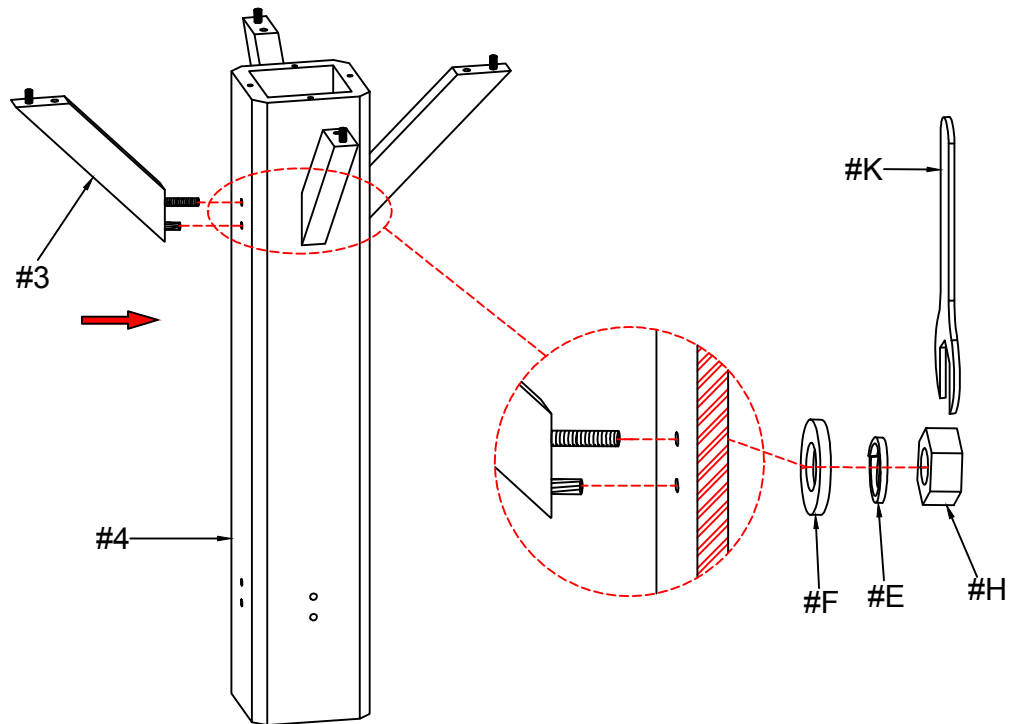
X 8



#2

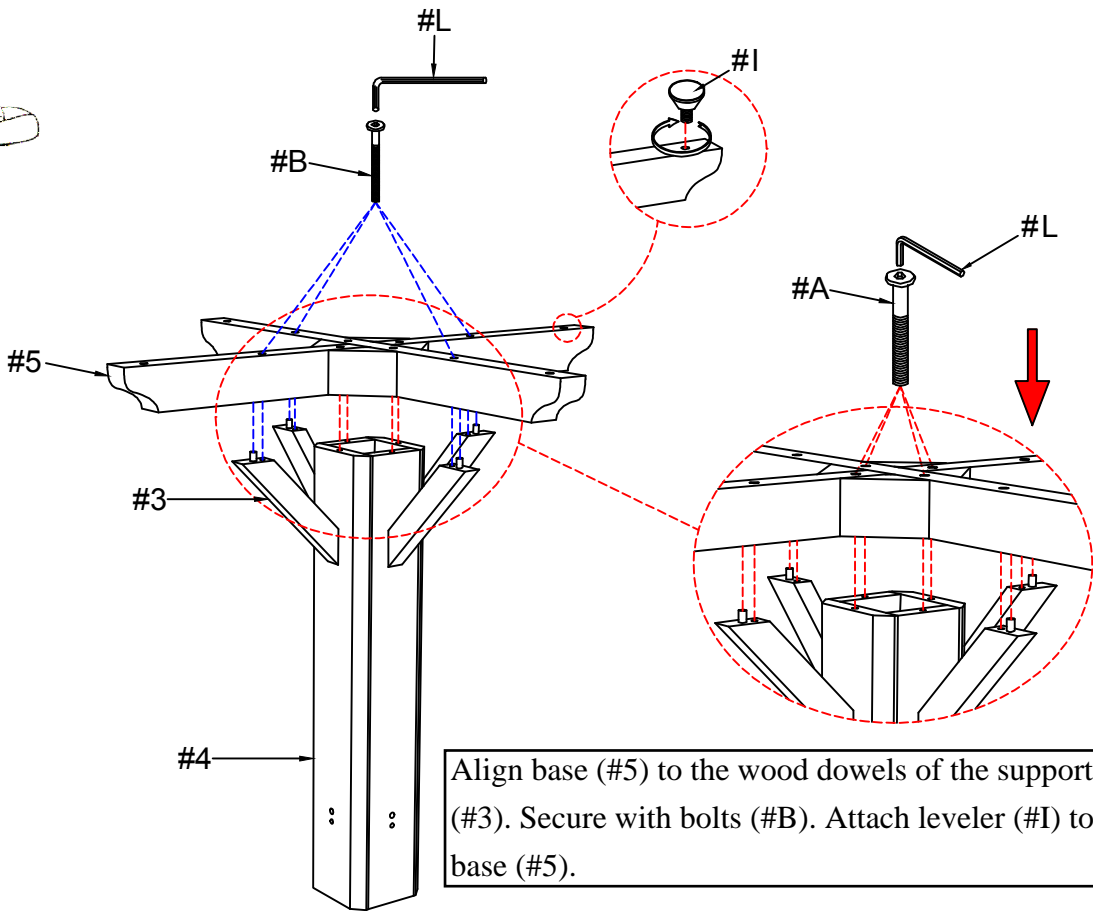
Insert the support rails (#3) to the holes of the post (#4). Secure threaded bolts by inserting flat washer (#F), then lock washer (#E) onto threaded bolts. Secure with hex nut (#H).

#E x 4pcs  
#F x 4pcs  
#H x 4pcs



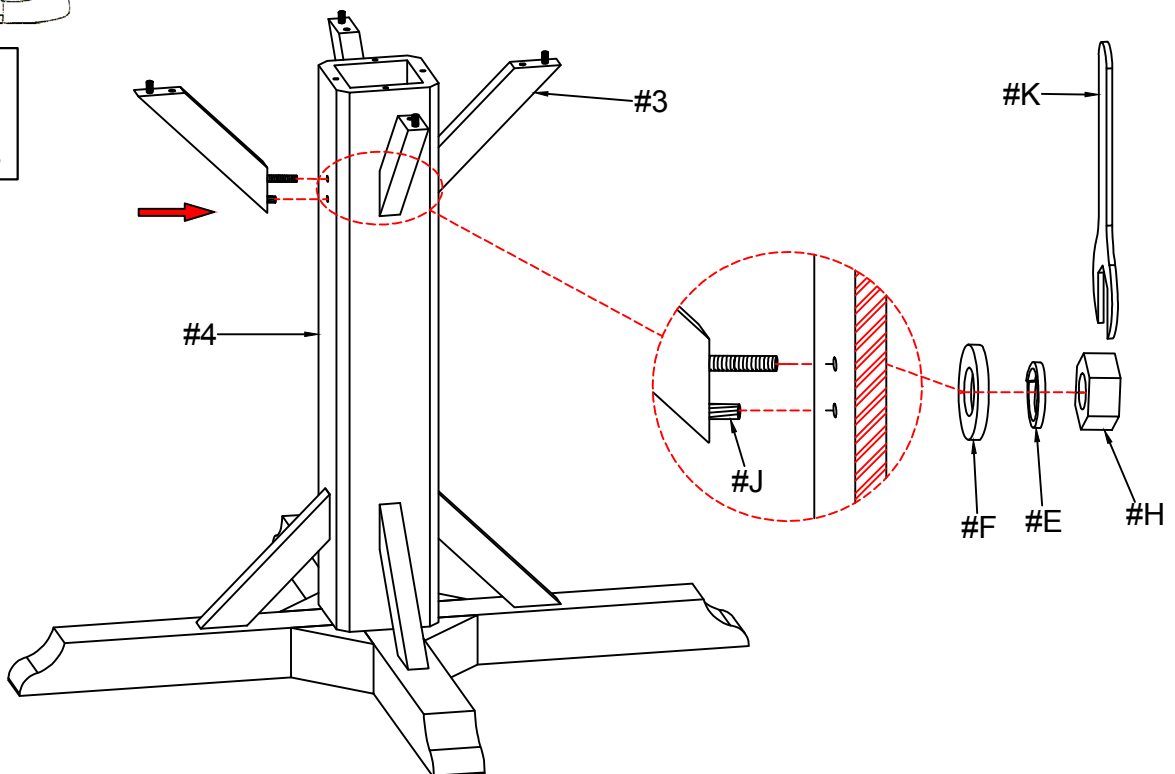


#A x 4pcs  
 #B x 4pcs  
 #I x 4pcs



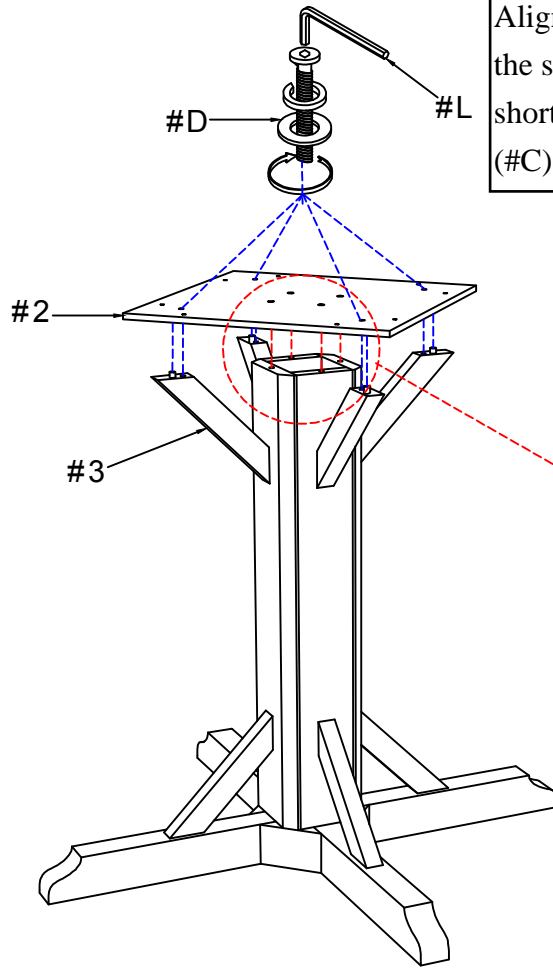
Insert the support rails (#3) to the holes of the post (#4). Secure threaded bolts by inserting flat washer (#F), then lock washer (#E) onto threaded bolts. Secure with hex nut (#H).

#E x 4pcs  
 #F x 4pcs  
 #H x 4pcs

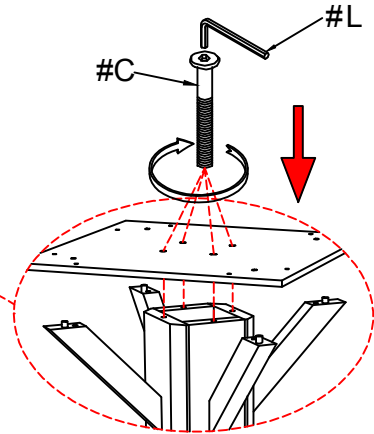




#C x 4pcs  
#D x 4pcs



Align lower panel (#2) to the wood dowels of the support rails (#3). Secure outer holes with short bolt (#D) and inner holes with bolts (#C).



#D x 8pcs

Align the post (#4) to the holes of the table top (#1). Secure with short bolts (#D).

