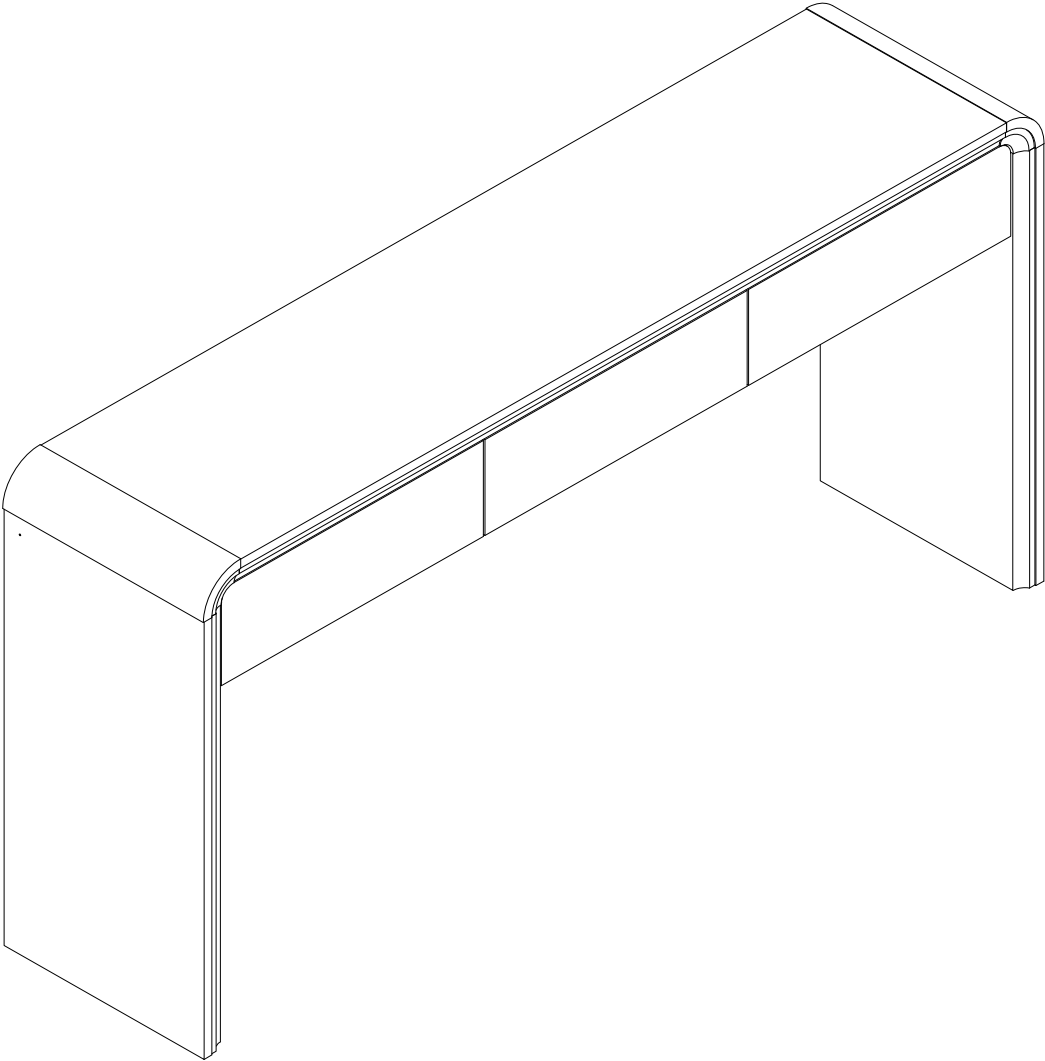
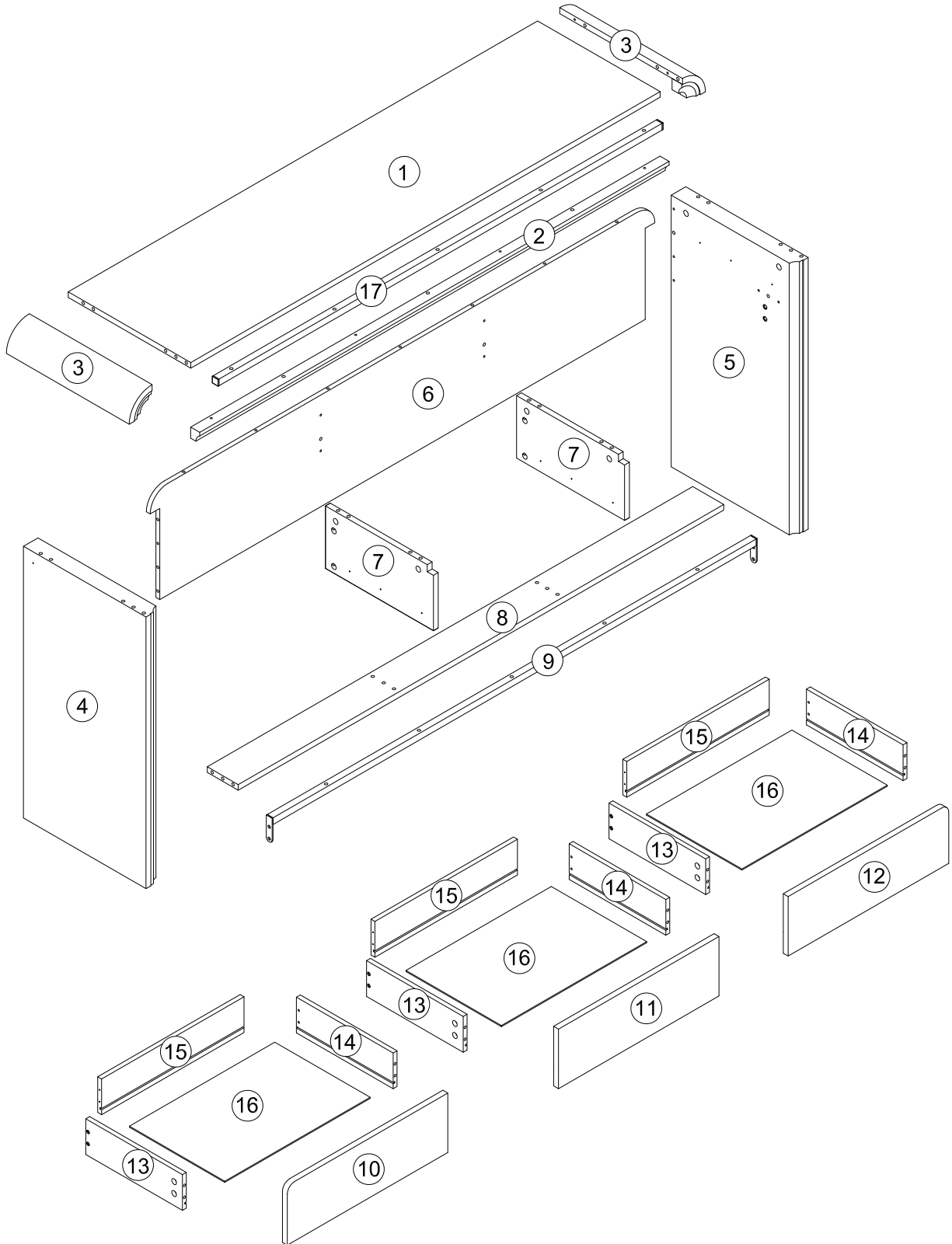


ASSEMBLY INSTRUCTIONS







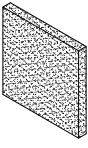
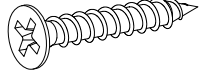
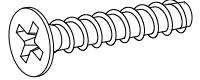

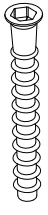
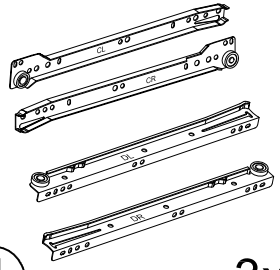
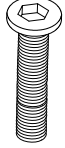
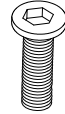
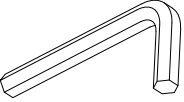
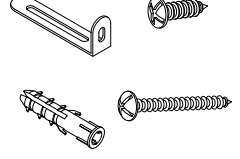
PACKAGE INCLUDE

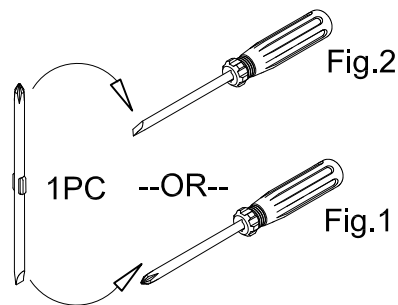


PACKAGE INCLUDE

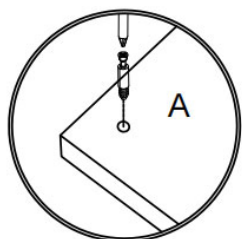
CODE	DESCRIPTION	QTY
1	Top Panel	1
2	Panel bottom decorative strip	1
3	Arc components	2
4	Left side panel	1
5	Right side panel	1
6	Back plane	1
7	Middle partition	2
8	Stretching strip	1
9	Supporting iron pipes	1
10	Left pull panel	1
11	Mid draw panel	1
12	Right pull panel	1
13	Left side panel of drawer	3
14	Right side panel of drawer	3
15	Drawer tailboard	3
16	Drawer bottom plate	3
17	Iron pipe under the panel	1

PACKAGE CONTENT

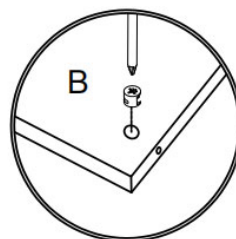
<p>L=25MM</p>  <p>(A) 42x+3</p>	<p>Ø15x9MM</p>  <p>(B) 42x+3</p>	<p>Ø8x30MM</p>  <p>(C) 30x+3</p>	<p>Ø23MM</p>  <p>(D) 42x+3</p>
<p>L=30*30*3MM</p>  <p>(E) 4x</p>	<p>Ø4x30MM</p>  <p>(F) 12x+1</p>	<p>Ø5x35MM</p>  <p>(G) 4x</p>	<p>Ø3.5x12MM</p>  <p>(H) 36x+3</p>
<p>Ø6.1x48MM</p>  <p>(I) 4x</p>	 <p>(J) 3x</p>	<p>M6x28MM</p>  <p>(K) 10x</p>	<p>M6x12MM</p>  <p>(L) 4x</p>
 <p>(M) 1x</p>	 <p>(N) 2x</p>		



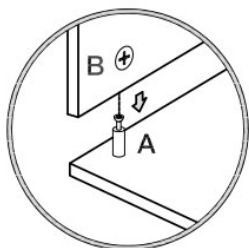
How to use the cam lock system



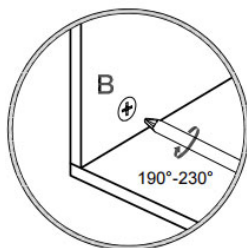
1. Screw cam bolt into panel



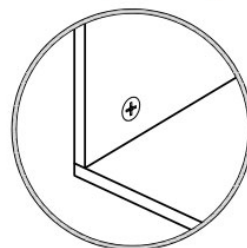
2. Push cam into panel - arrow feature on cam top points to panel edge



3. Align cam bolt(s) with cam(s) and insert all the way into cross-bored hole(s)

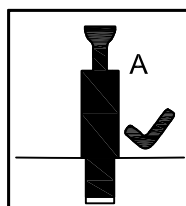
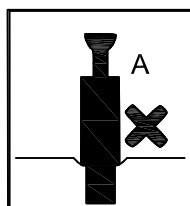
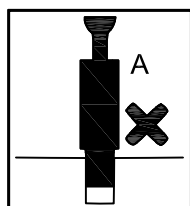
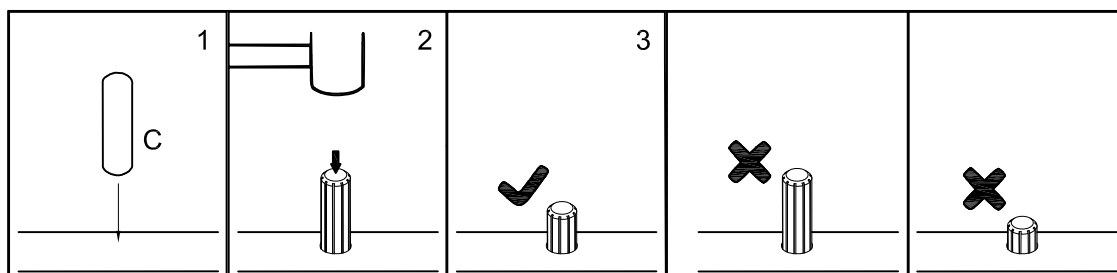


4. Rotate cam(s) clockwise 190°-230° to lock panels together



5. Panels should be tight against each other and connection should be rigid

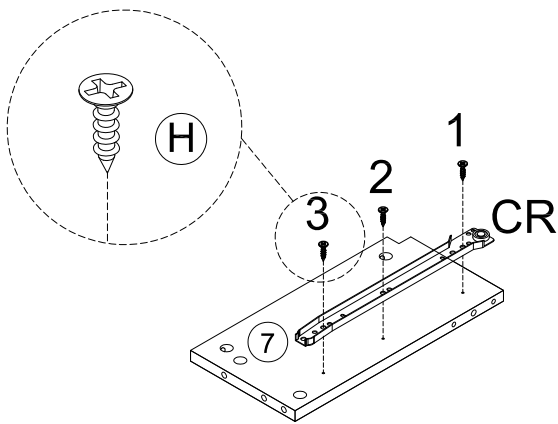
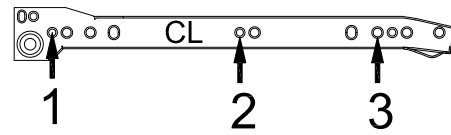
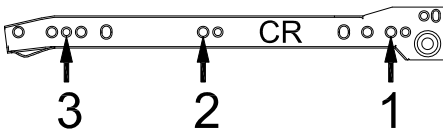
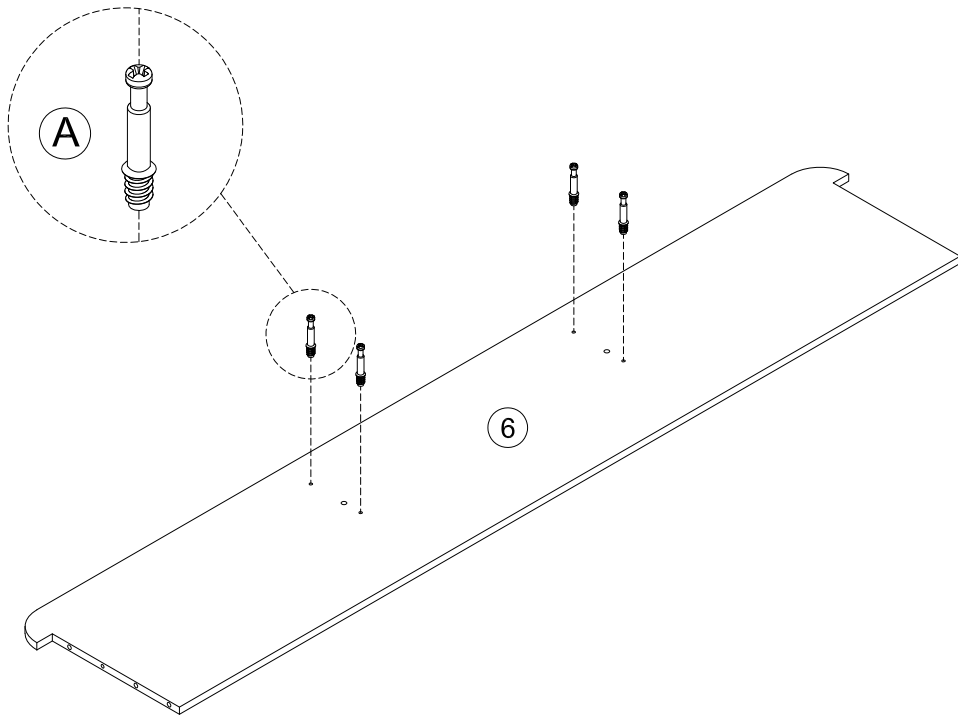
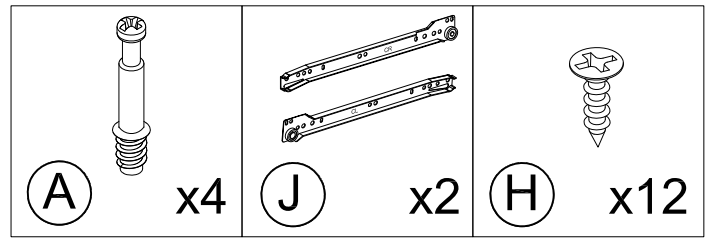
Insert the wood dowel (C) at least half way by tapping lightly with a rubber mallet, IT NECESSARY.



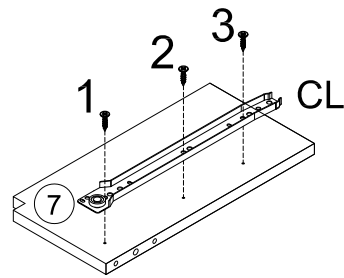
WARNING

- Unit must be placed on a level surface or leveled with included hardware (when applicable).
- Do not sit or stand on or allow children to climb, sit or stand on the assembled product.
- For safety reasons, it is imperative that this unit be mounted to the wall.
- Do not use without installing the tip restraint.
- Unit can tip over causing severe injury or death.
- Do not exceed the recommended weight limits.
- Evenly distribute the weight on each level and always keep the heavier loads on the bottom.
- Before cutting, drilling or hammering into any wall or floor surface, verify the location of electrical, plumbing and gas lines. Cutting may cause serious injury.

STEP 1





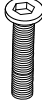

Flip 180°

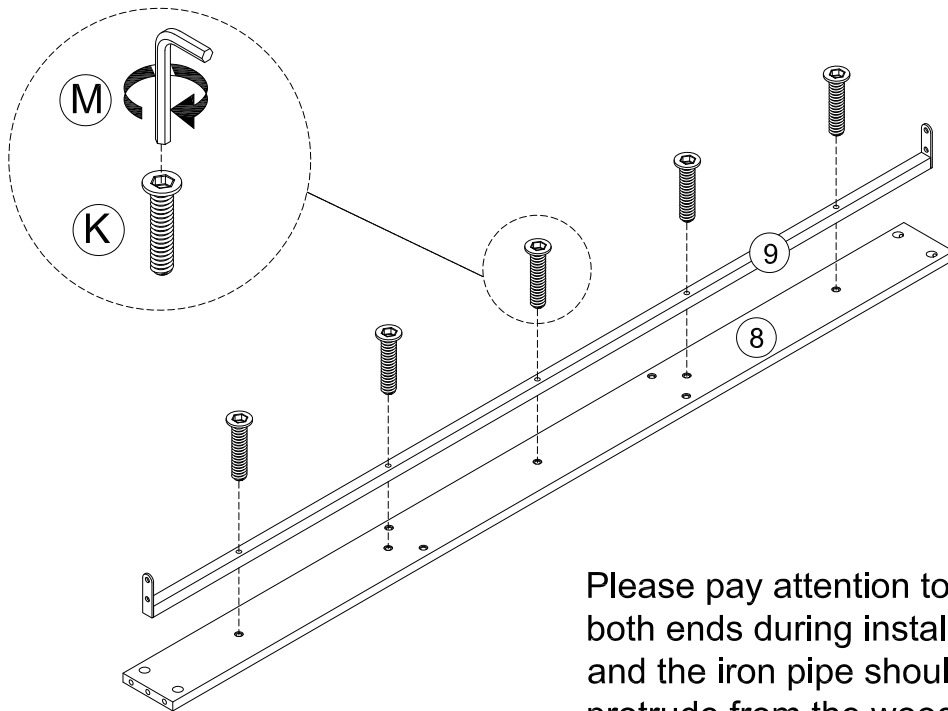
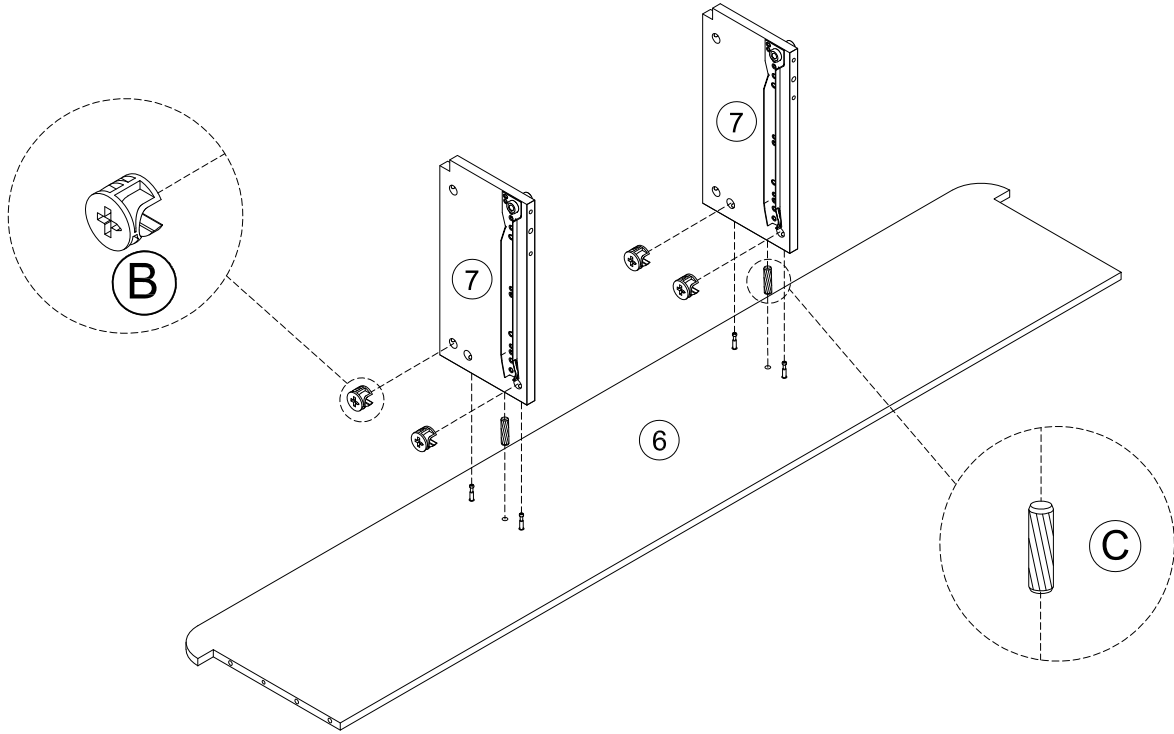


x 2

x 2



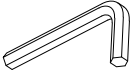
STEP 2

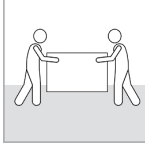
			
(B) x4	(C) x2	(K) x5	(M) x1



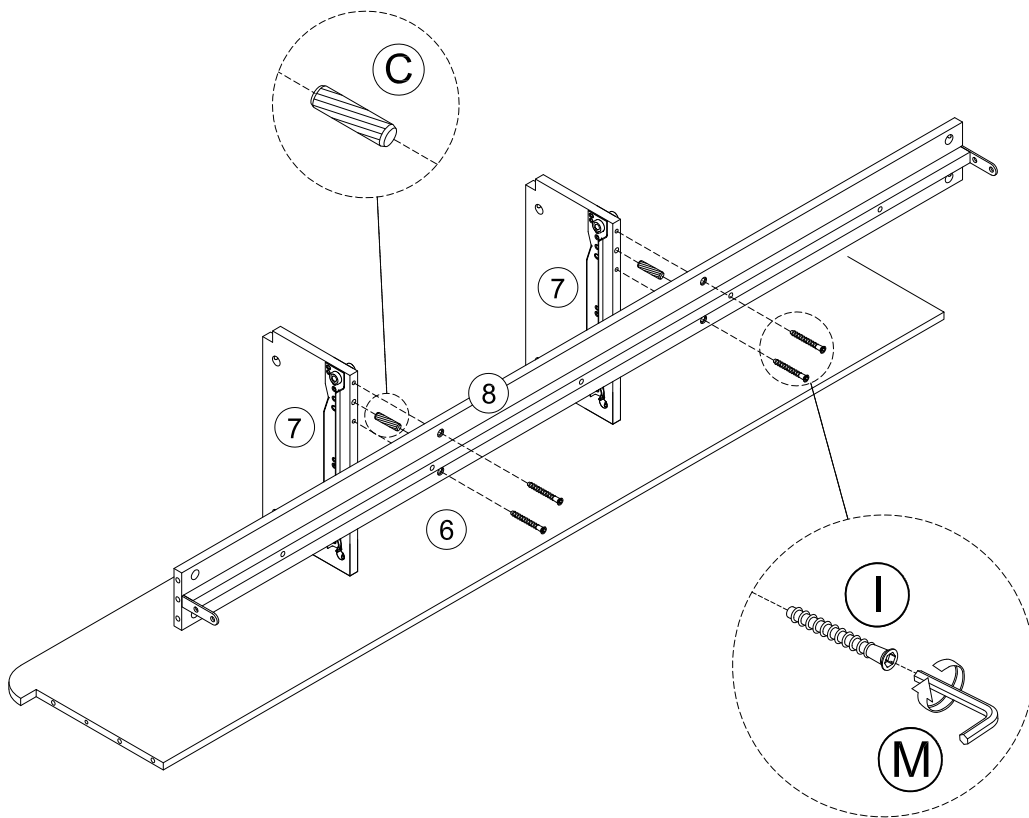
Please pay attention to aligning both ends during installation, and the iron pipe should not protrude from the wooden board

STEP 3

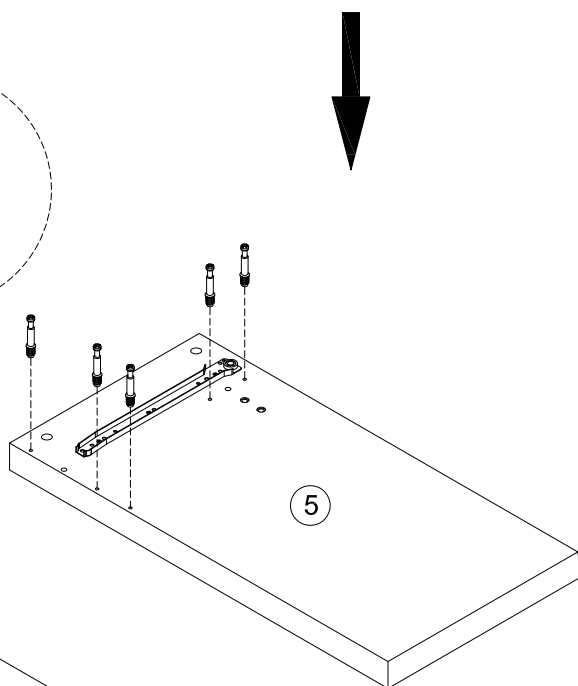
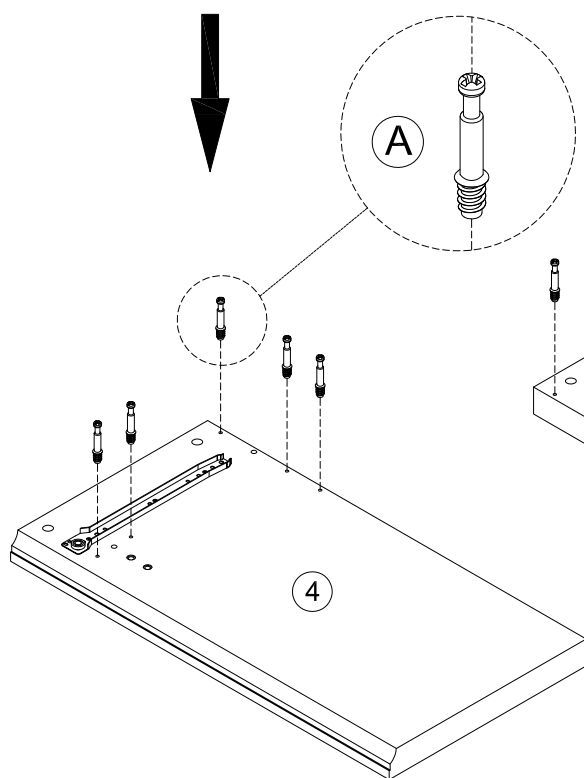
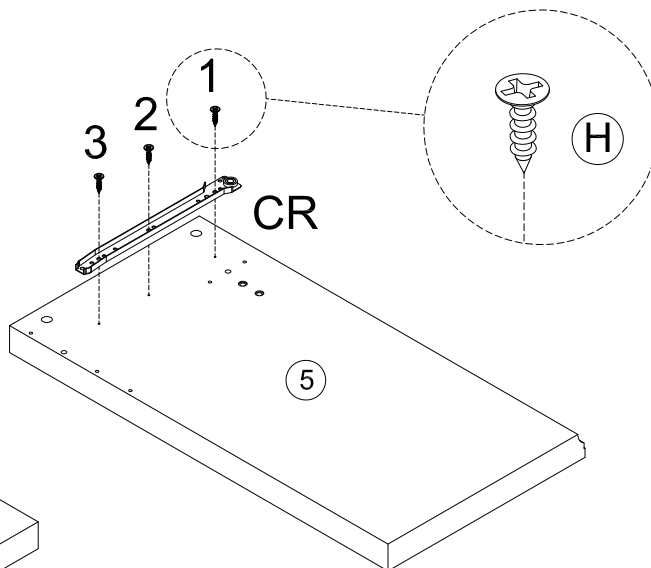
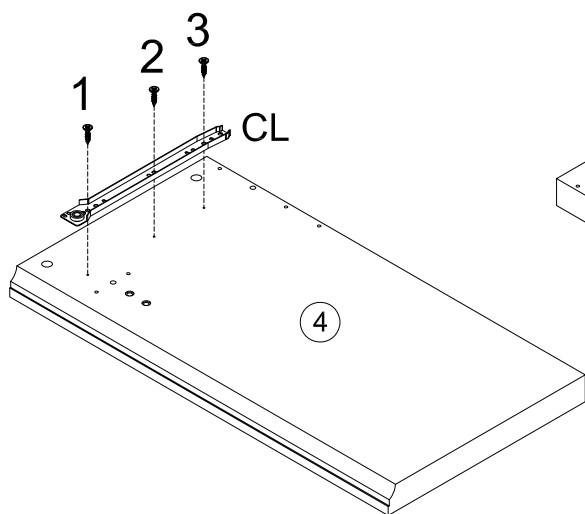
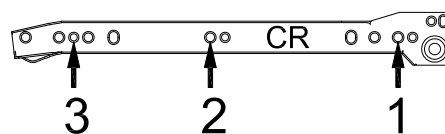
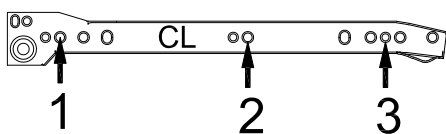
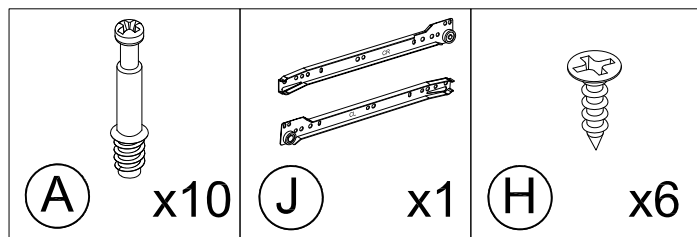
 I	x4	 C	x2	 M	x1
---------------------------------------------------------------------------------------	----	-----------------------------------------------------------------------------------------	----	-----------------------------------------------------------------------------------------	----






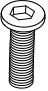
It is recommended that two people work together to install



STEP 4

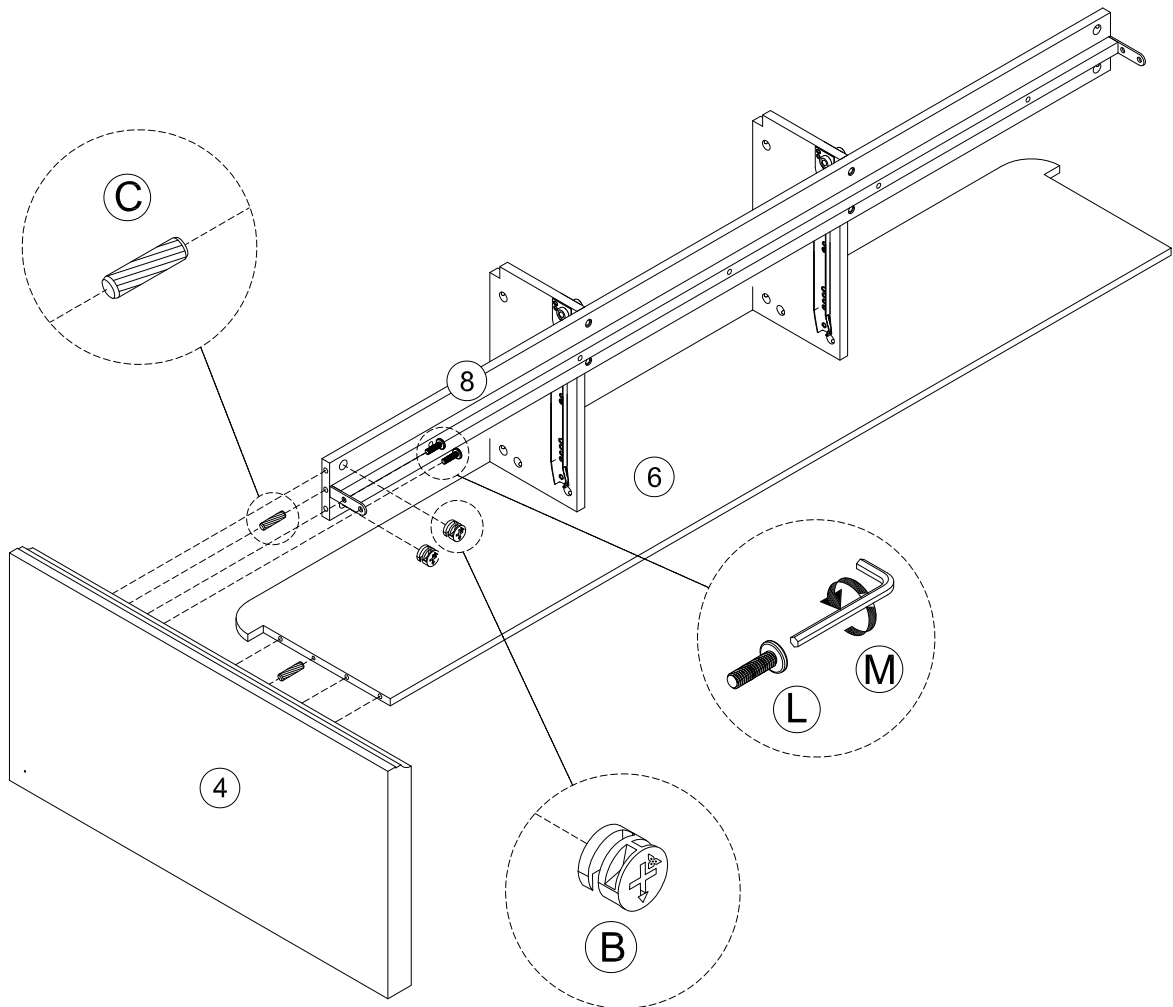


STEP5




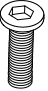
			
(B) x2	(C) x2	(M) x1	(L) x2



It is recommended that two people work together to install

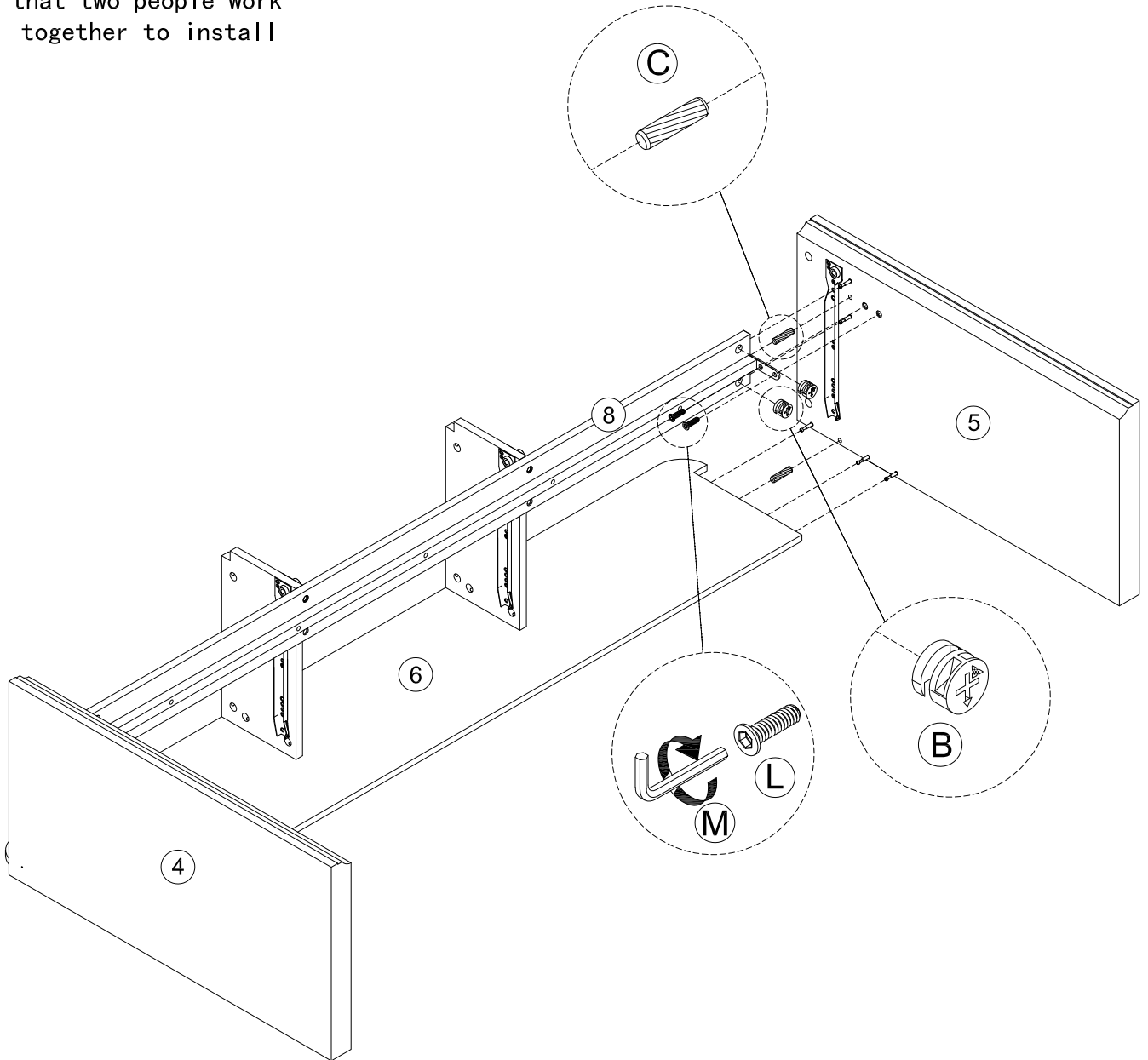


STEP 6

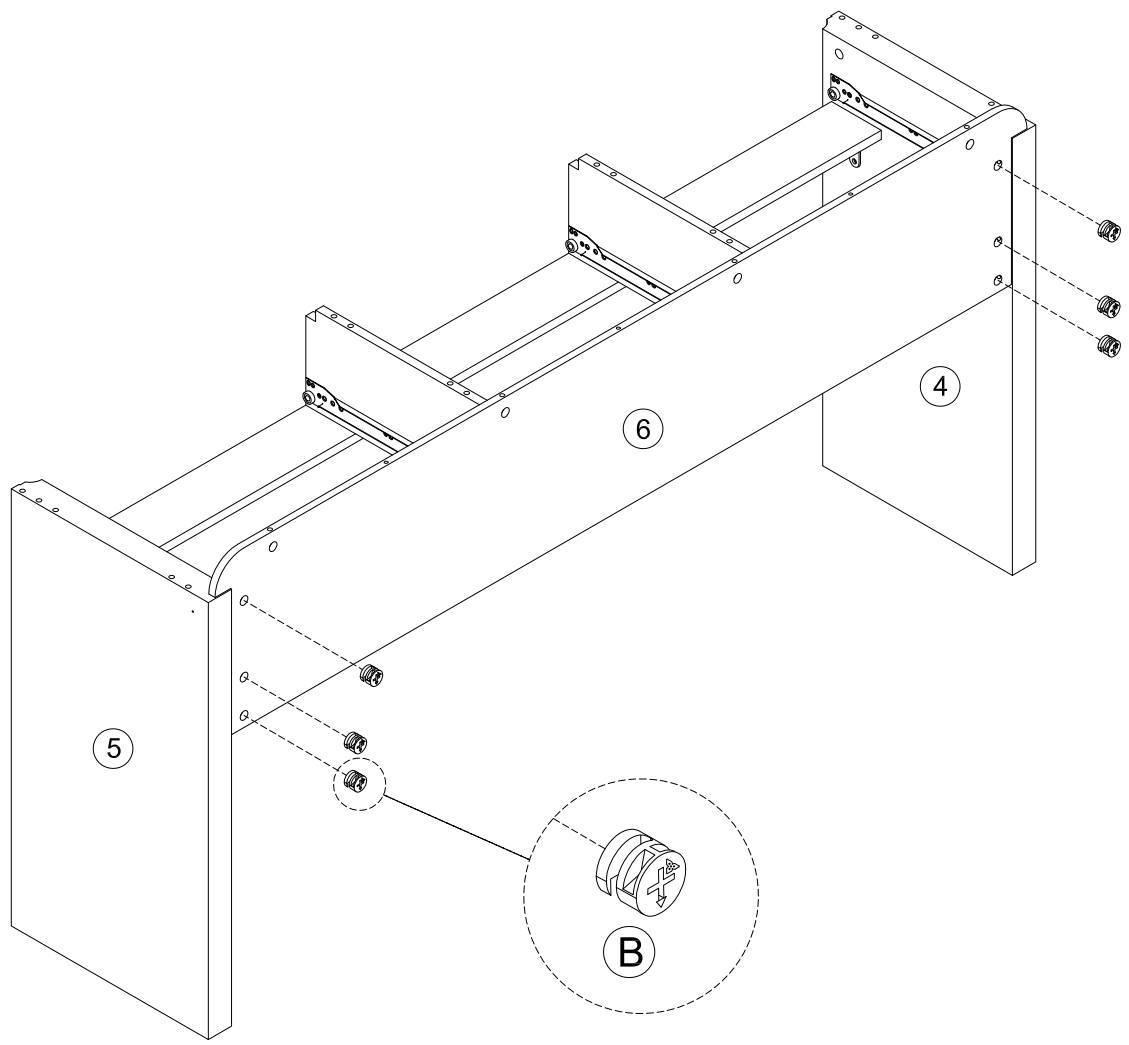
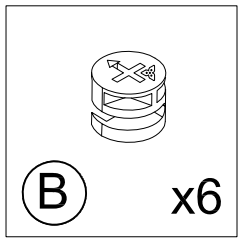
			
(B) x2	(C) x2	(M) x1	(L) x2



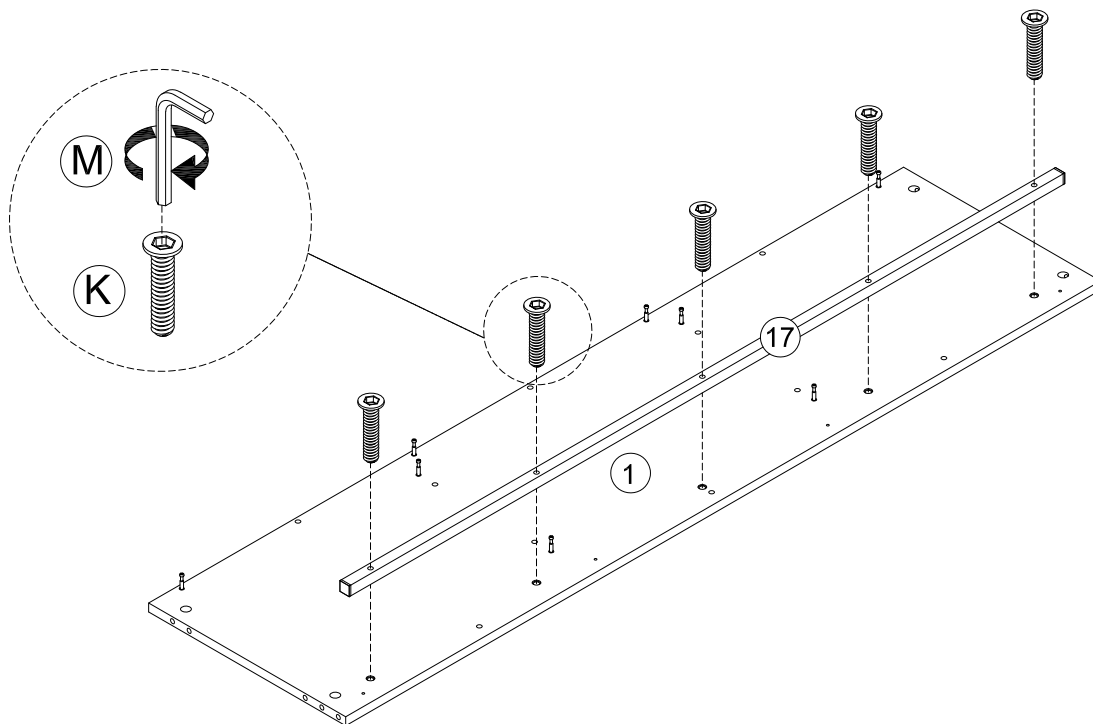
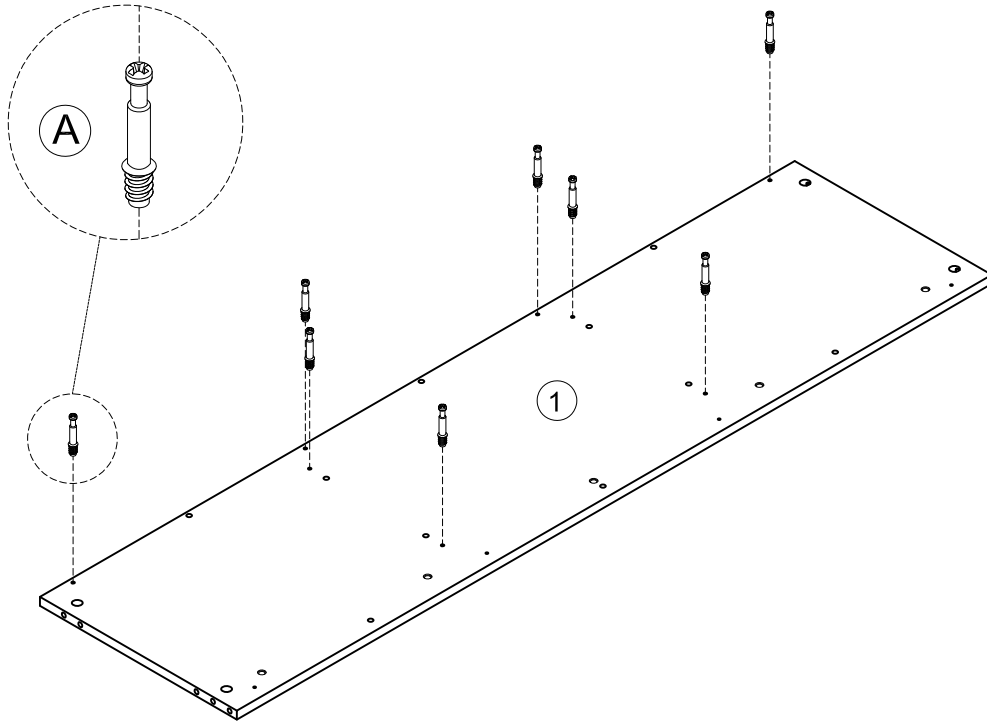
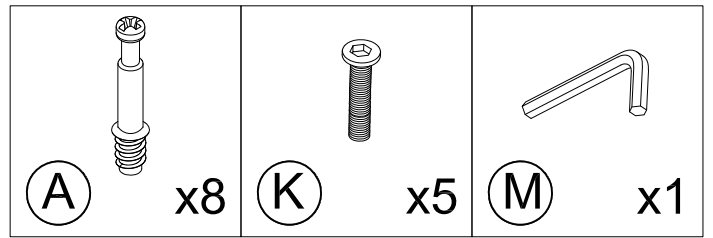
It is recommended that two people work together to install



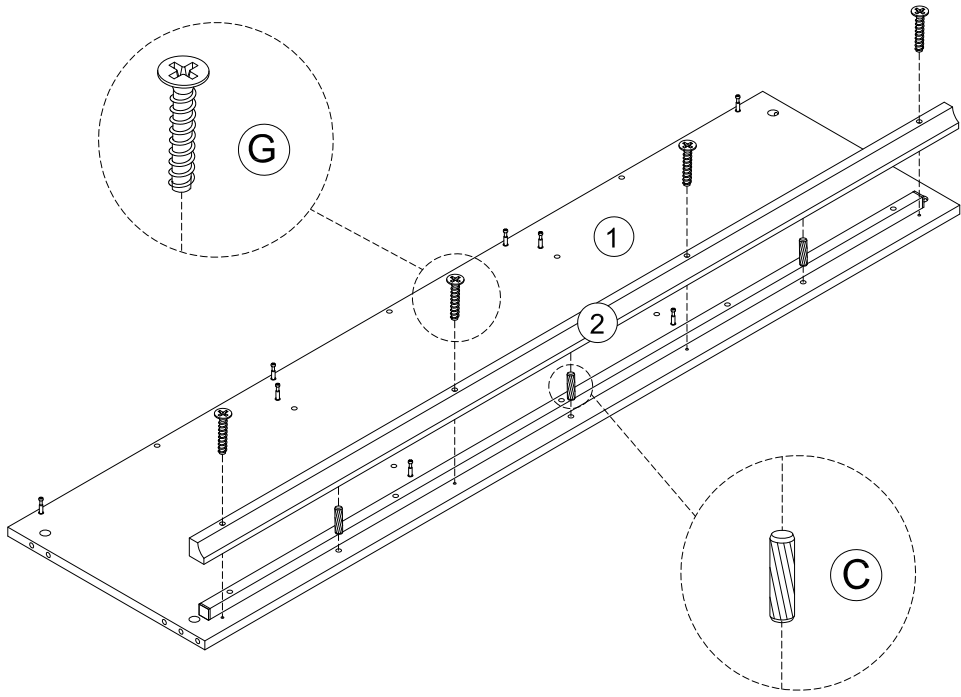
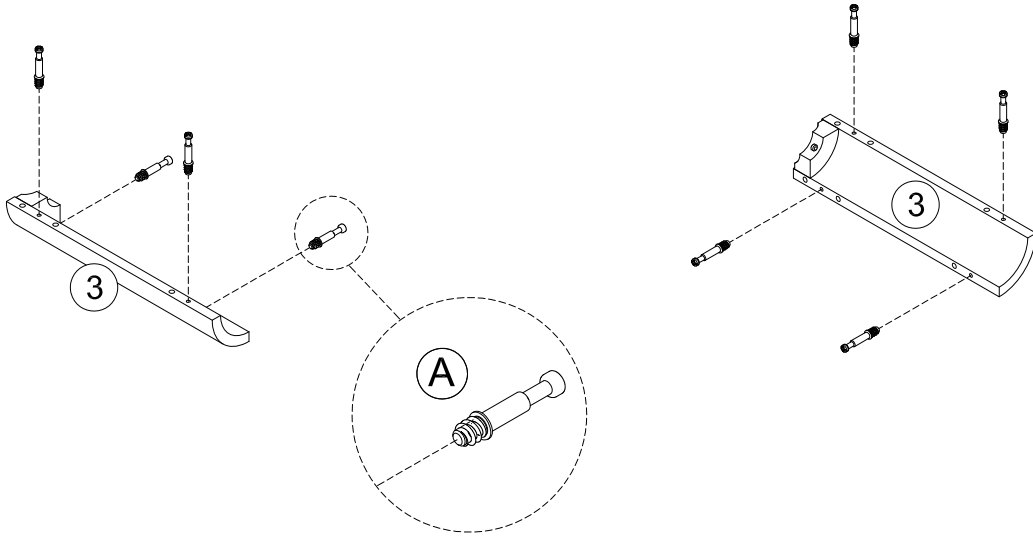
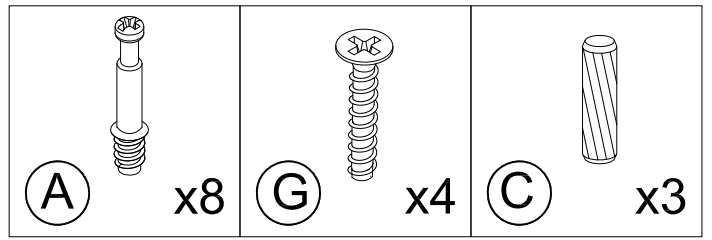
STEP 7



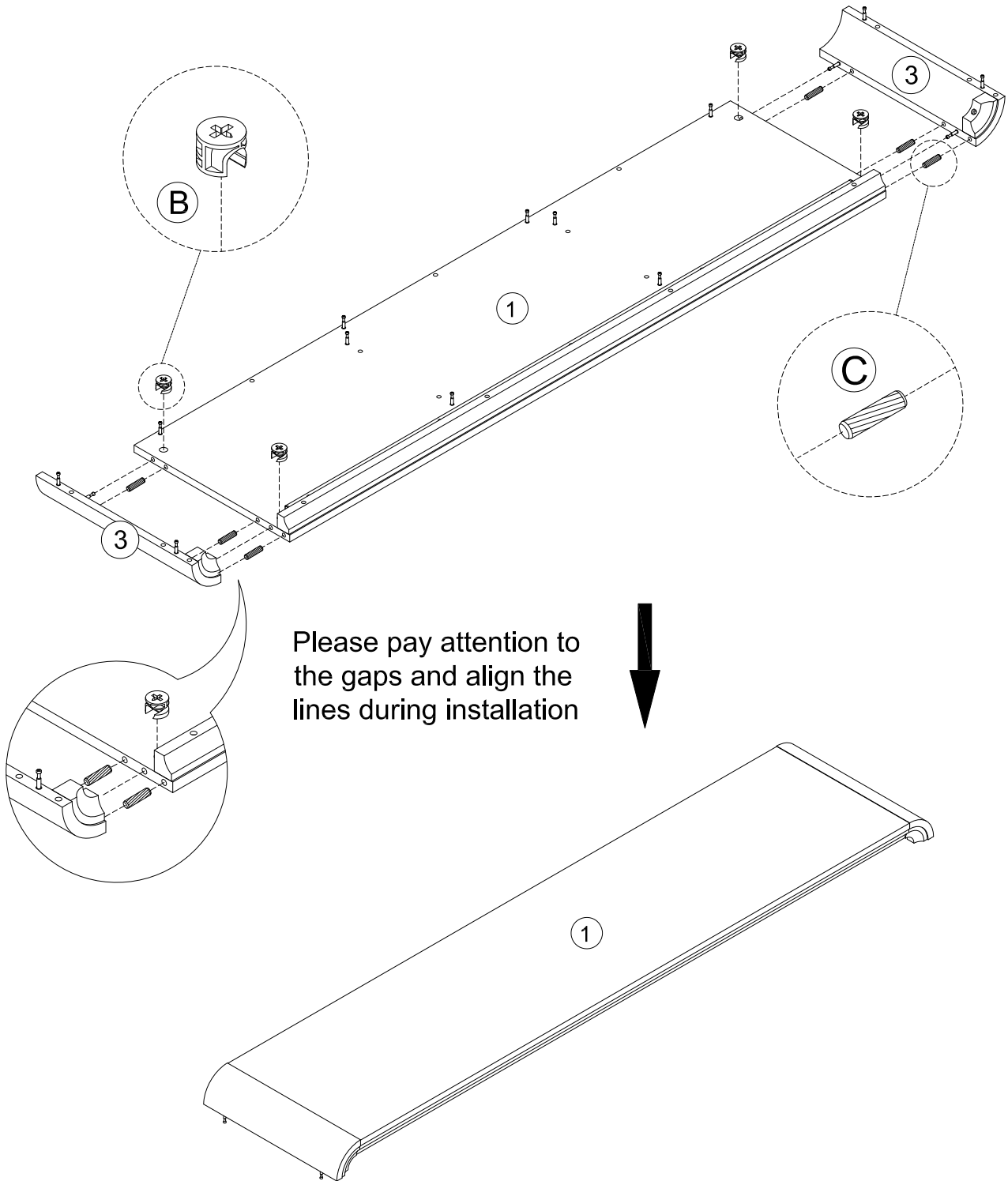
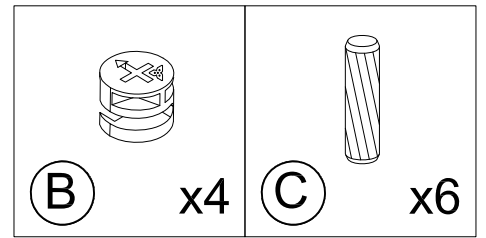
STEP 8



STEP 9

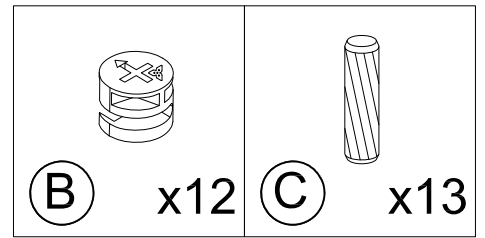


STEP 10

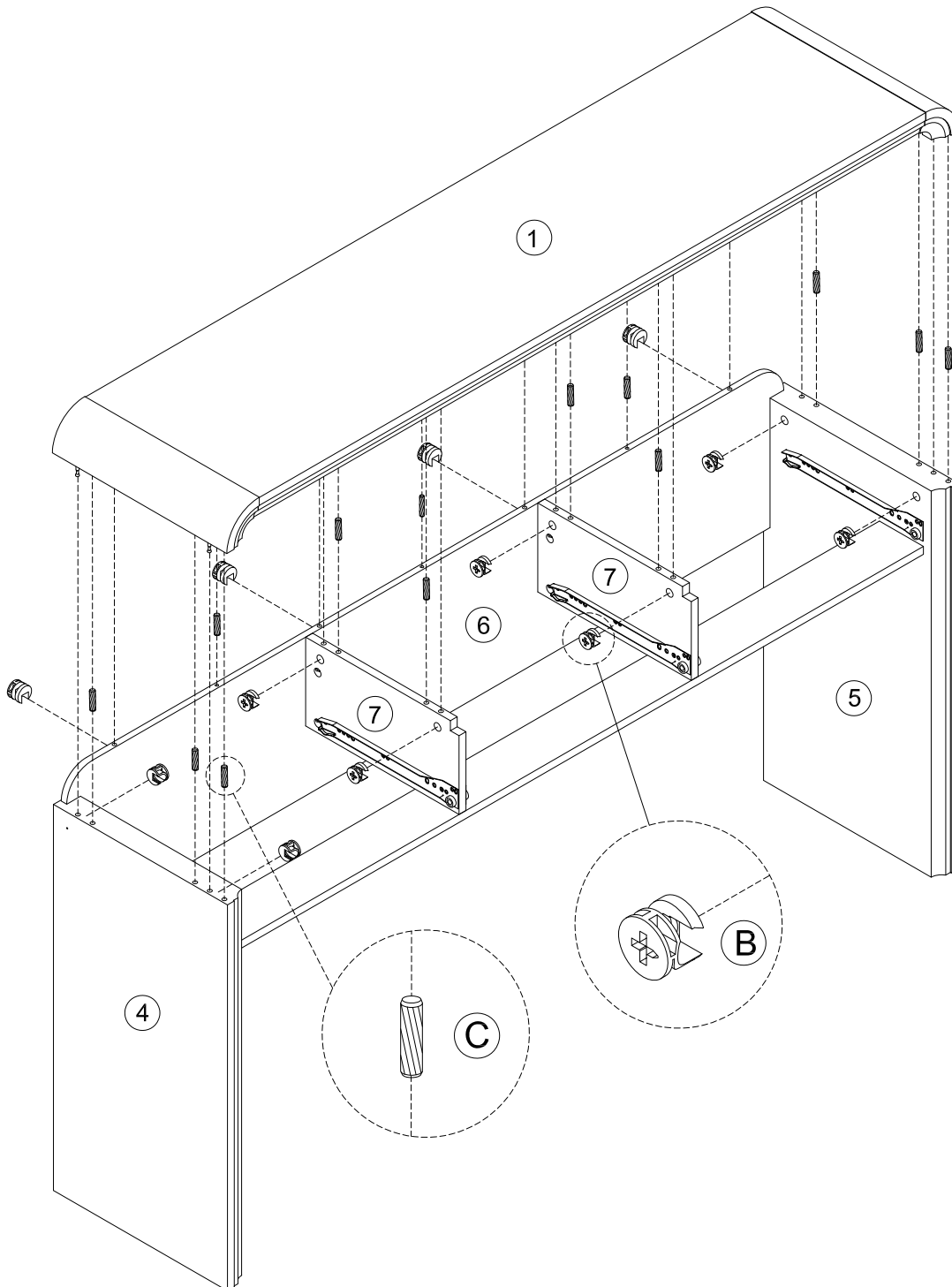


Please pay attention to the gaps and align the lines during installation

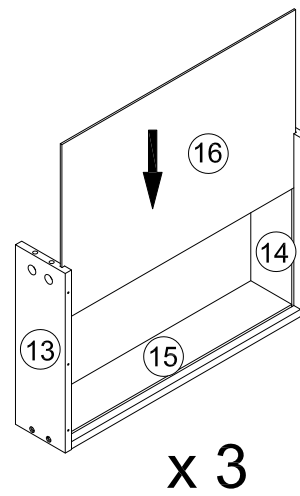
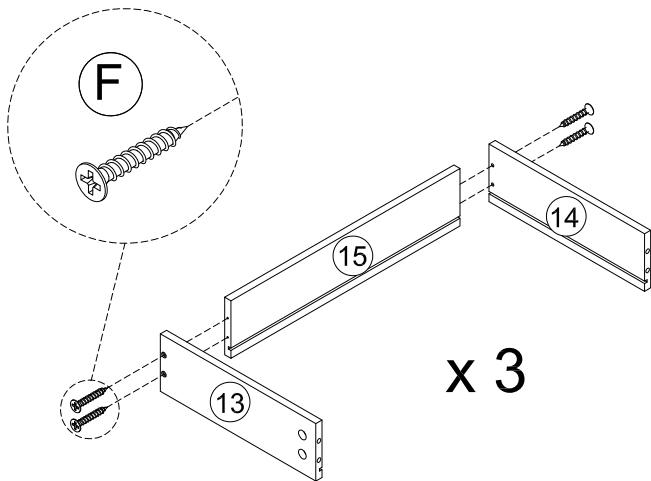
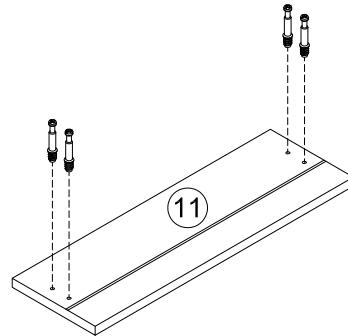
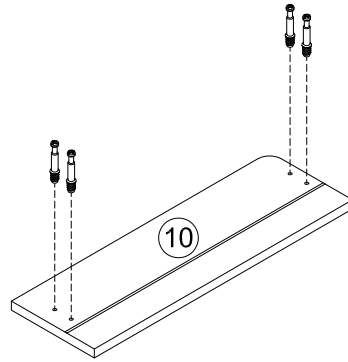
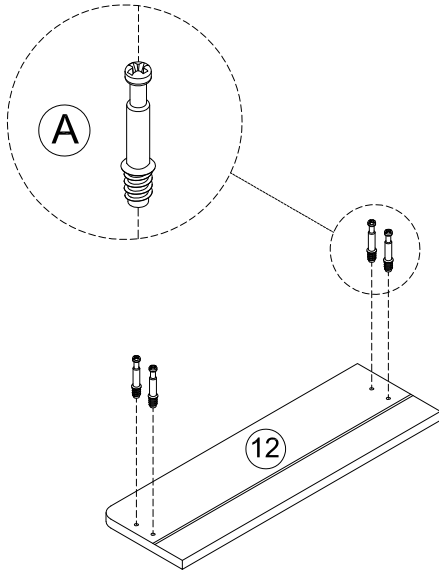
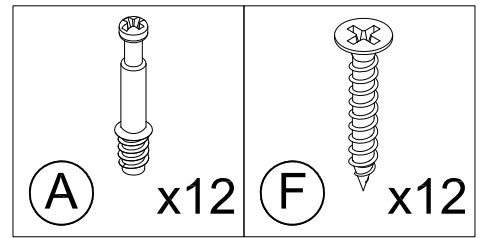
STEP 11



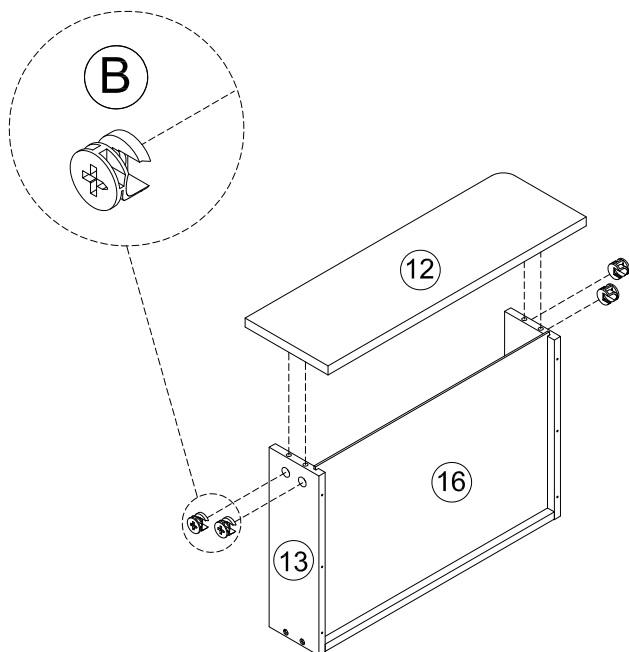
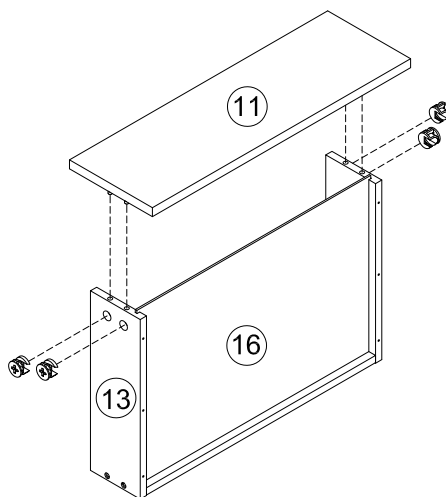
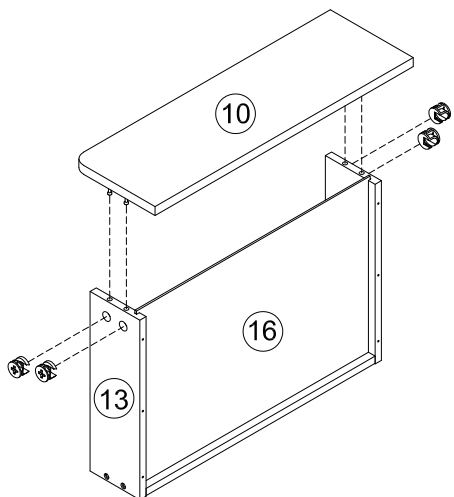
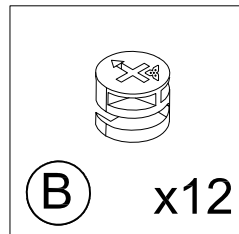
It is recommended
that two people work
together to install



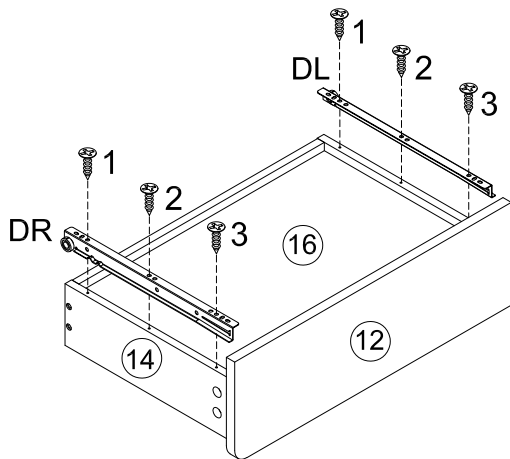
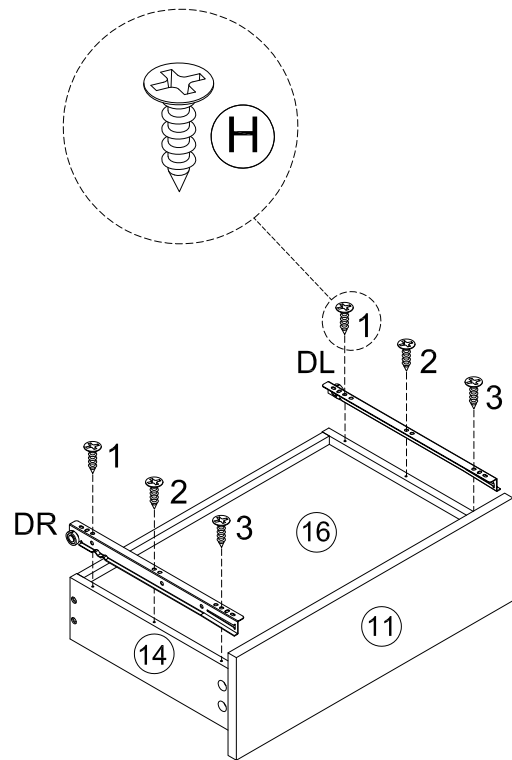
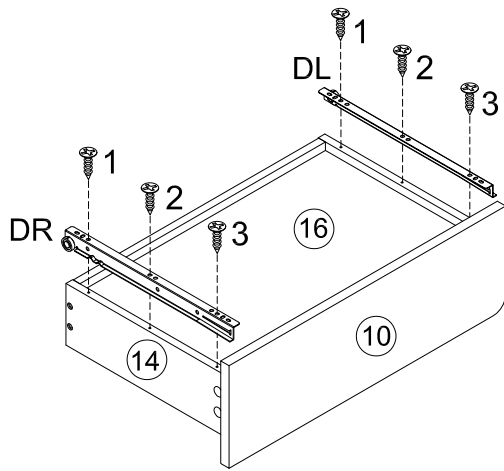
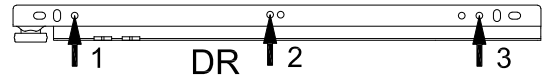
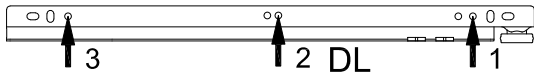
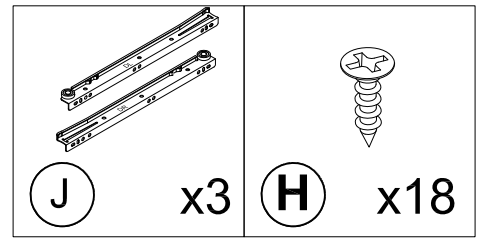
STEP 12



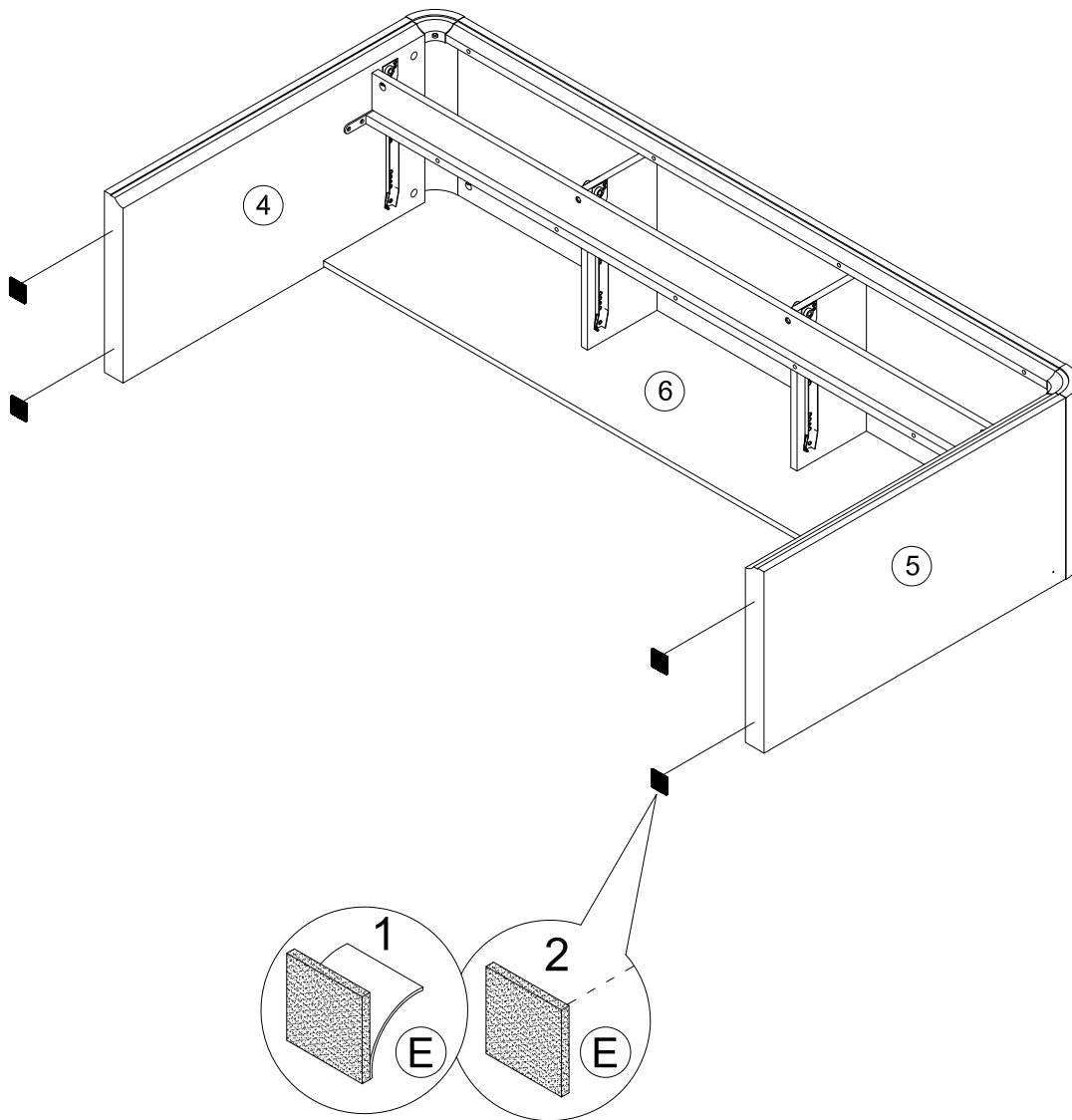
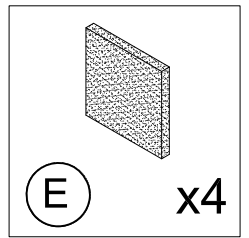
STEP 13



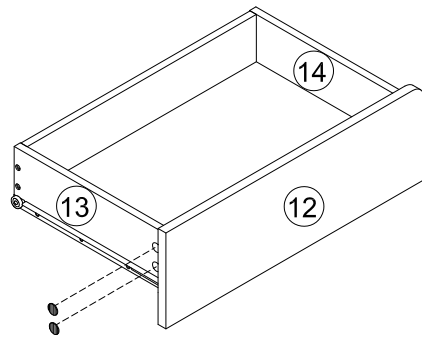
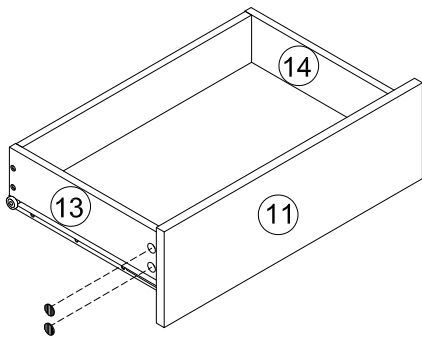
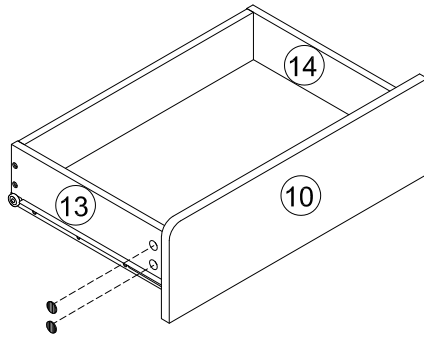
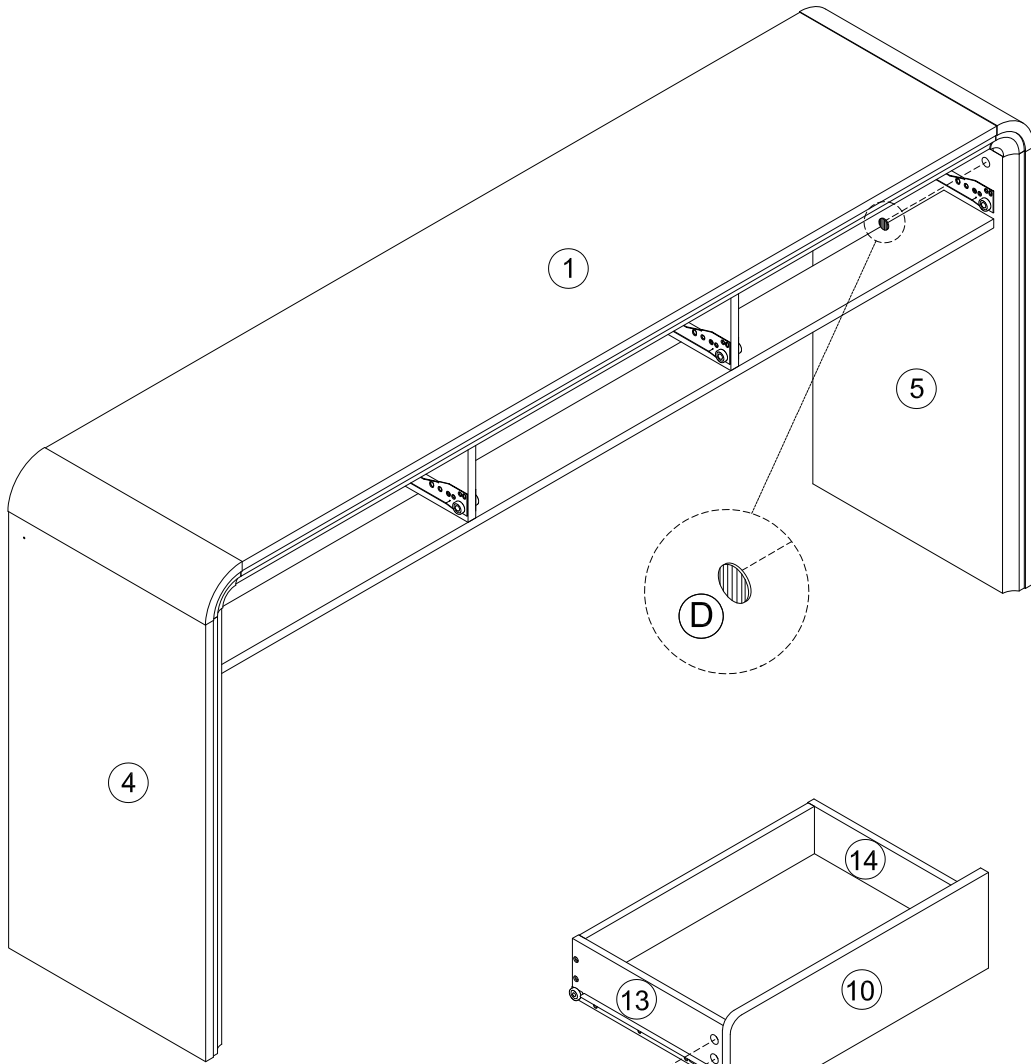
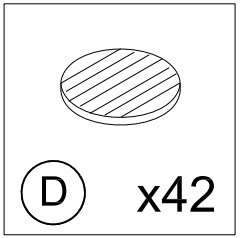
STEP 14



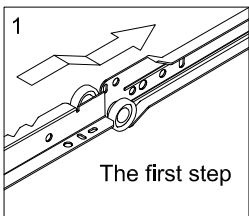
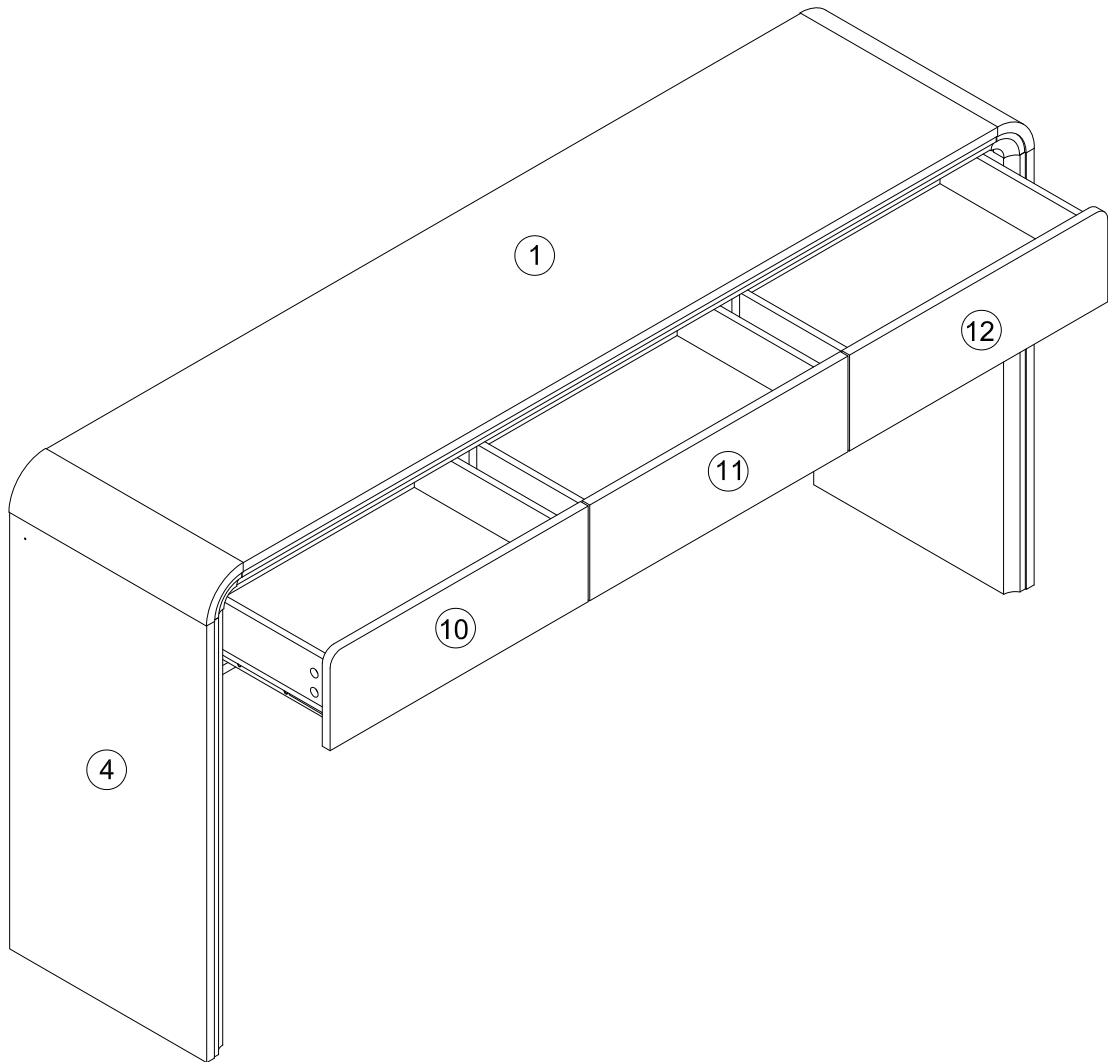
STEP 15



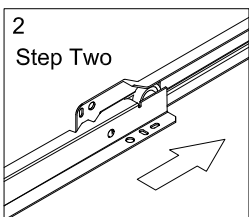
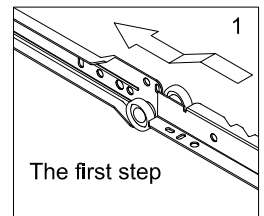
STEP 16



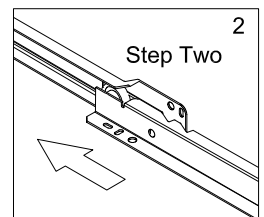
STEP 17



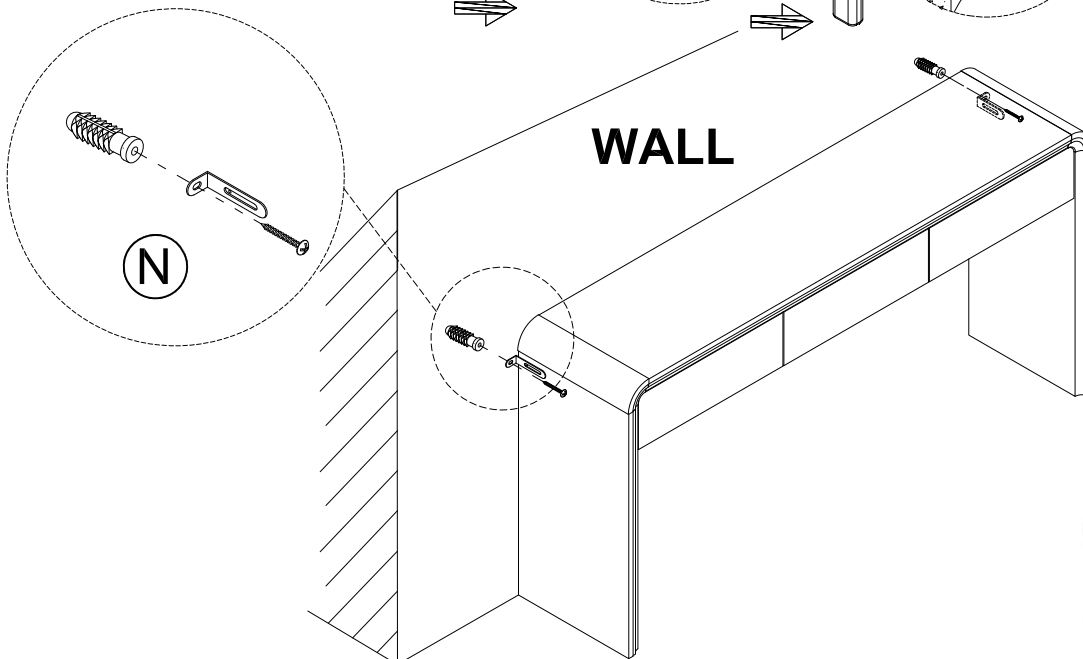
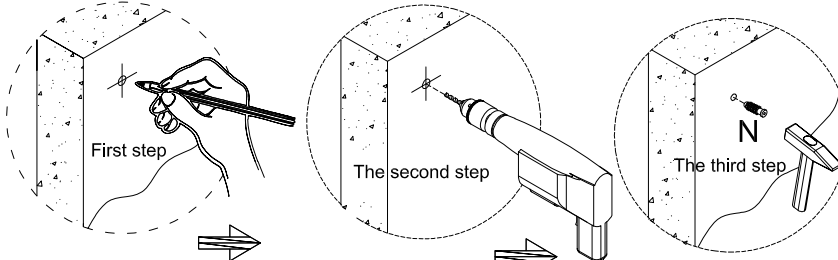
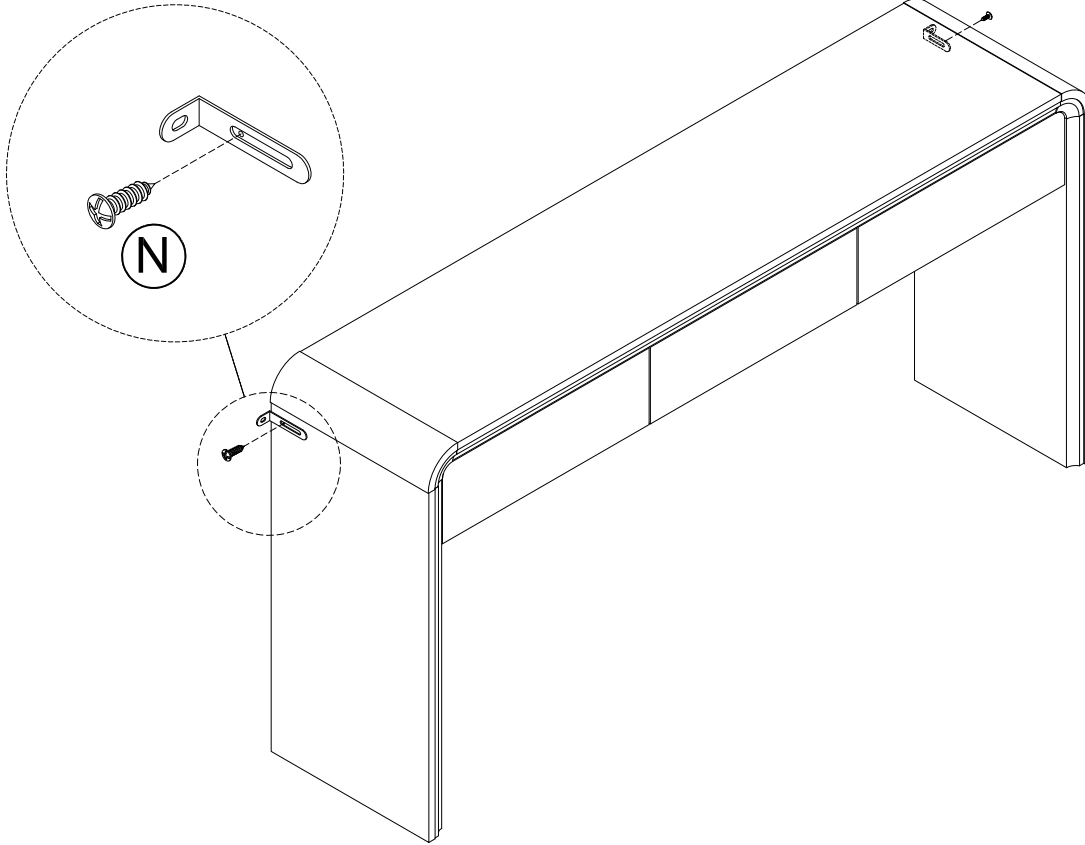
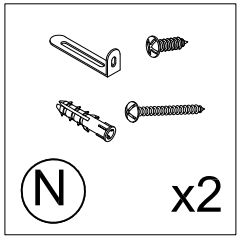
1. When you put the drawer, please note that the drawer wheels on top of the wheels of the slide, then check whether the drawer is smooth when pulled out. Otherwise, the drawer will not be aligned with other drawers.



2. Note: When installing, ensure that the sub-rail is fully inserted into the main rail



STEP 18



▲ WARNING
Children have died from furniture tipover. To reduce the risk of furniture tipover:

- ALWAYS install anti-tip device provided.
- NEVER put a TV on this product.
- NEVER allow children to stand, climb or hang on any drawers, doors, or shelves.
- NEVER open more than one drawer at a time.
- Place heaviest items in the lowest drawers.

This is a permanent label. Do not remove!