

KINCAID®

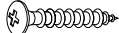
-SOLID WOOD SINCE 1946-

www.kincaidfurniture.com

phone :828-728-3261.

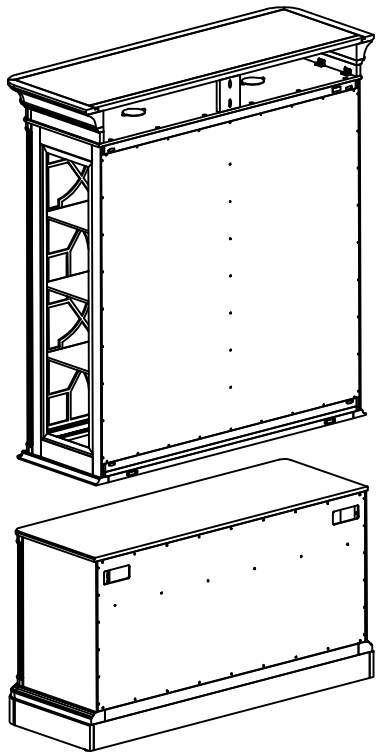
Instructions to attach deck unit to base unit (607-830/831)

Hardware List

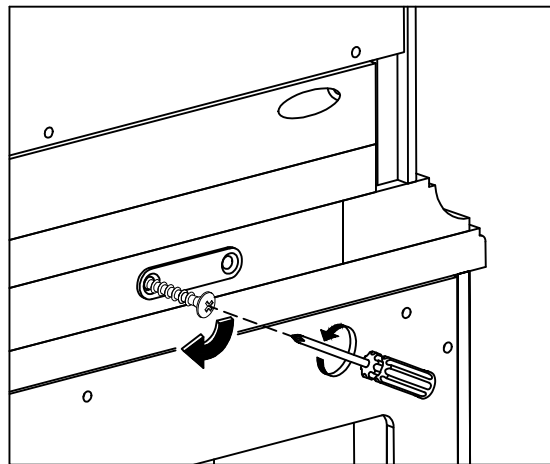
CODE	DESCRIPTION	QTY
A	 2 1/2" x 1/4" #8	2

IMPORTANT NOTES

- Place all wooden parts on clean and smooth surface such as rug or carpet to prevent the parts from being scratched.
- Check to be sure that you have all parts and hardware.
- Remove all wrapping materials, including staples and packing straps before you start to assemble.
- Do not tighten all screws and bolts until completely assembled.
- Keep all hardware out of the reach of children

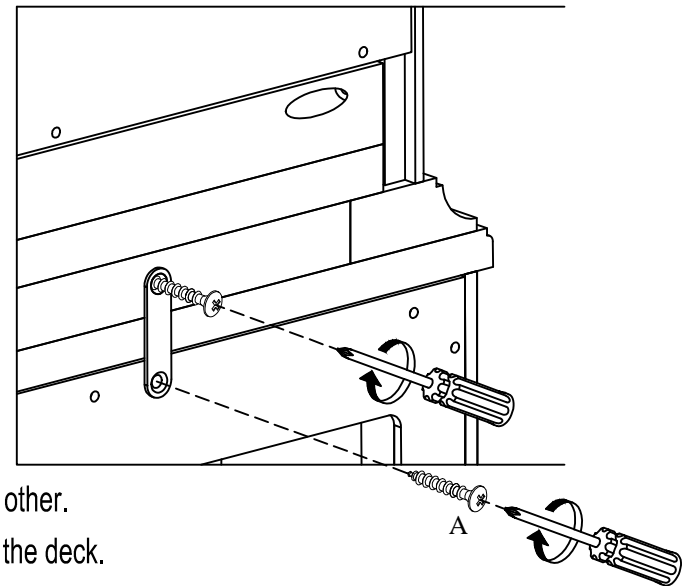


a.



- a.) Put the deck onto the top of the base, back edge is flush with each other.
Loosen but do not remove screw that attach the metal brackets on the deck.

b.



- b.) Swivel the bracket to cover the back edge of both the base and deck.
Re-tighten the screw in edge of deck, and install the provided screw (A)
in back edge of base top.

MADE IN VIETNAM