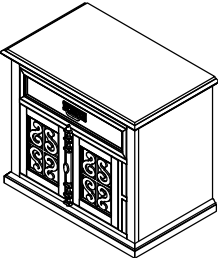


# THE BEST QUALITY FURNITURE ASSEMBLY INSTRUCTIONS

Description: NIGHTSTAND

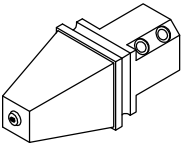
## LIST OF PARTS

### A. Nightstand



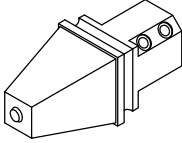
1PC

### B. Front Leg with leveler



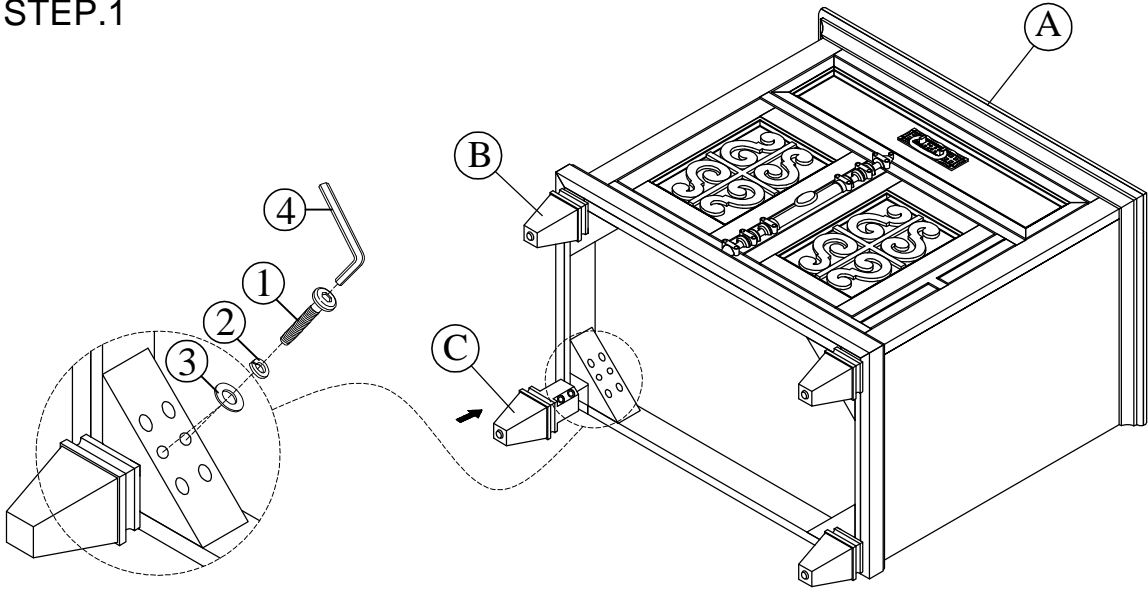
2PCS

### C. Back Leg

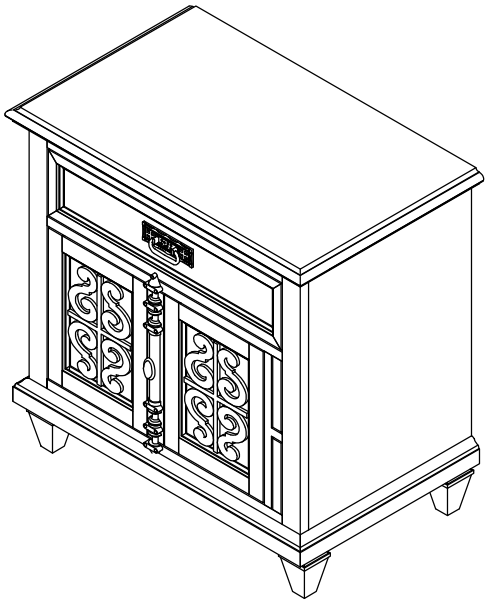


2PCS

## STEP.1



## COMPLETED.



## LIST OF HARDWARE

### 1. Bolt



1/4" x 50mm (8pcs)

### 2. Spring Washer



1/4" (8pcs)

### 3. Flat Washer



1/4" x 19mm(8pcs)

### 4. Allen key



4mm(1 pc)