





**SAFETY AND  
CARE ADVICE**



**NO POWER TOOLS**

## **SAFETY AND CARE ADVICE**

- Only clean using a damp cloth and mild detergent, do not use bleach or abrasive cleaners.
- From time to time check that there are no loose screws on this unit
- This product should not be discarded with household waste. Take to your local authority waste disposal centre

## IMPORTANT INFORMATION









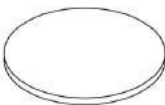



45 MINUTE  
BUILD



MAXIMUM  
CAPACITY 100Kg

PLEASE CHECK CAREFULLY AND MAKE SURE YOU HAVE ALL FITTINGS AND TOOLS LISTED BELOW BEFORE YOU START.

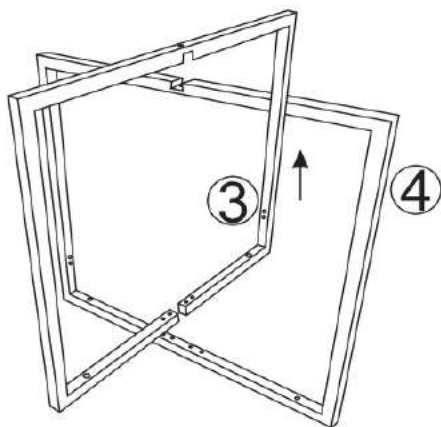
<b>A</b>  M6X25 X1	<b>B</b>  M6X10 X20	<b>C</b>  M8X45 X4
<b>D</b>  Ø6x25 X25	<b>E</b>  X4	<b>F</b>  X1

<b>①</b>  x1	<b>②</b>  x1
<b>③</b>  x1	<b>④</b>  x1

**NOTE:** The quantities above are the correct amount to complete the assembly. In some cases more fittings may be supplied than are required.

## STEP 1

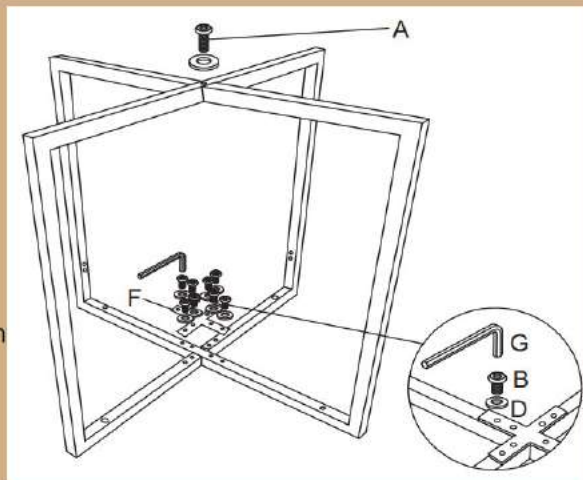
Use a clean, flat, soft surface to avoid any bumps or scratches. Cross the legs [3 and 4] as shown.



## STEP 2

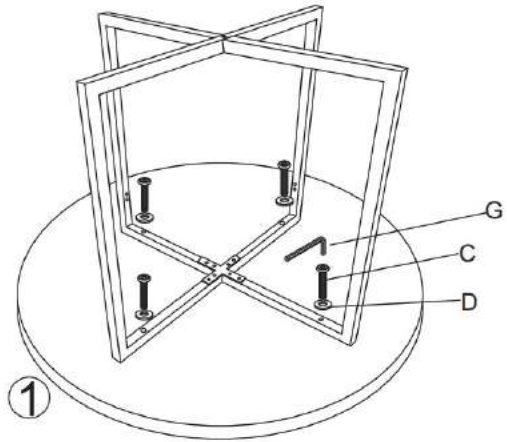
Connect the legs. Use 1 x washer [D] followed by 1 x bolt [A] for the single hole at what will be the bottom of the table.

Use the X shaped connecting plate [F] and align with holes in the table legs. Connect using 1 x washer [D] followed by 1 x screw [B] per hole and tighten fully with Allen key [C].



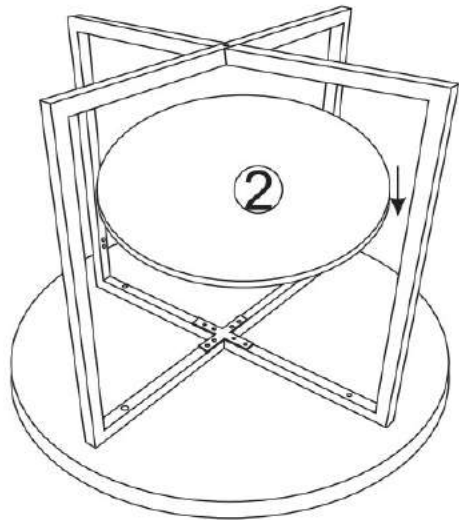
### STEP 3

Carefully place the table top [1] face down on flat surface and align table legs with holes as shown. Connect using 1 x washer [D] followed by 1 x bolt [C] and tighten with Allen key [G] -ensure these are fully tightened.



### STEP 4

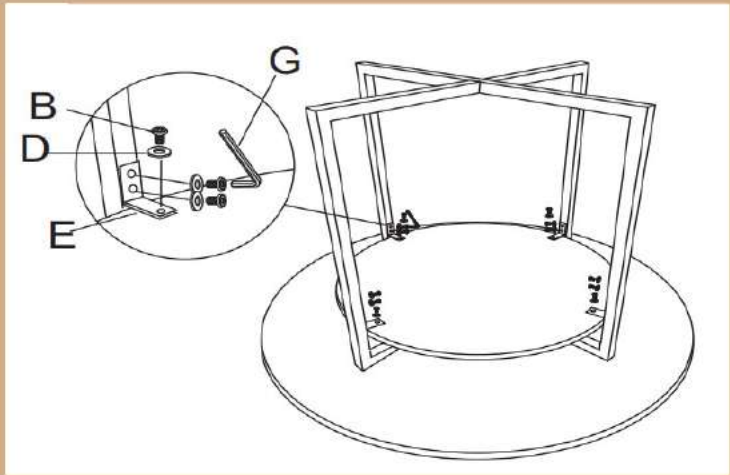
Place the shelf [2] between the table legs as shown.



## STEP 5

Have 1 person hold the shelf in place. Attach the shelf to the table legs using 4 x brackets [E]. Connect each bracket using 3 x washers [D] followed by 3 x bolts [B].

Once all components are in place, go ahead and fully tighten all the screws.



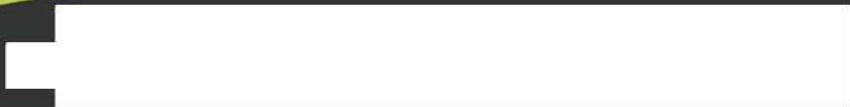
## STEP 6

Carefully and with help, flip your table upright onto its legs. Check for stability. Your new table is now ready to use.



# LOOKING GOOD!

Now you've assembled your product find out how to care for your item and keep it looking brand new.





## OUR 1 YEAR GUARANTEE

our products come with a 1 year guarantee to give you peace of mind shopping at Furniturebox



## WHAT THE GUARANTEE COVERS

---



**PRE-INSERTED FIXINGS**  
e.g. lose metal threads



**FAULTY JOINTS**  
e.g. legs bending



**EXTERNAL FIXING FAULTS**  
e.g. metal discs removing from table top



**STRUCTURAL INTEGRITY**  
e.g. the frame of the product