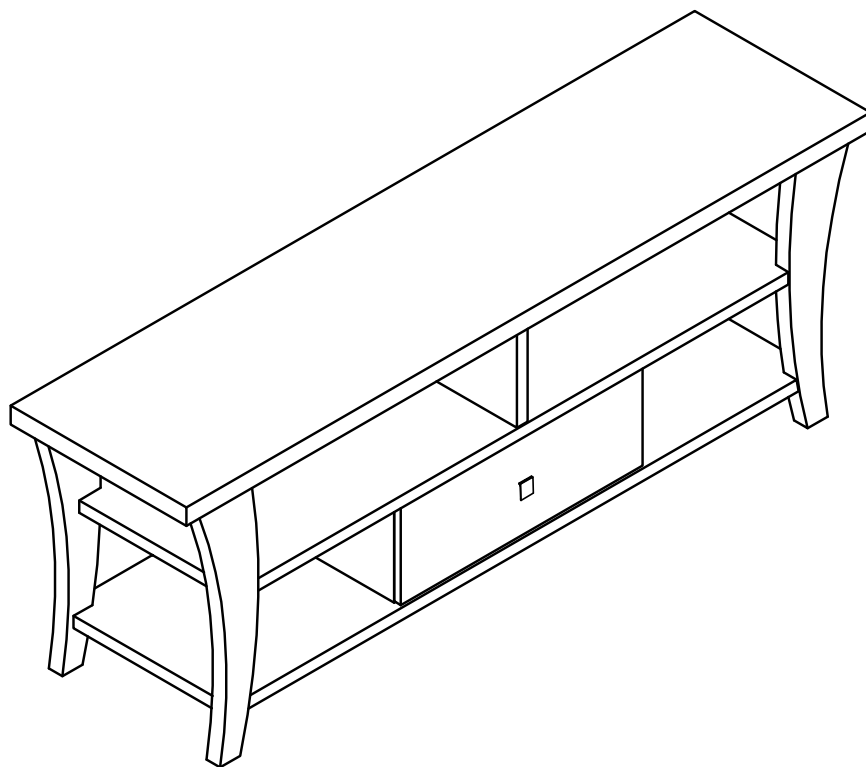


# ASSEMBLY INSTRUCTIONS



ITEM: **700497**

# ITEM: 700497

## ASSEMBLY INSTRUCTIONS

### ASSEMBLY TIPS:

1. Remove hardware from box and sort by size.
2. Please check to see that all hardware and parts are present prior to start of assembly.
3. Please follow attached instructions in the same sequence as numbered to assure fast & easy assembly.



### Warning !!

1. Don't attempt to repair or modify parts that are broken or defective. Please contact the store immediately.
2. This product is for home use only and not intended for commercial establishment.



**ASSEMBLY TIME**


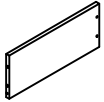

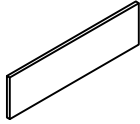
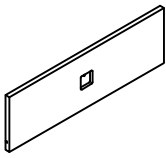
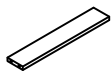
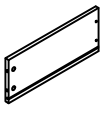
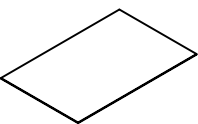
**30 MINUTES**

## PARTS IDENTIFICATION

(A) TOP		1 PC	(E) LOWER SHELF		1 PC
(B) SHELF		1 PC	(F) UPPER DIVIDER PANEL		1 PC
(C) BOTTOM PANEL		1 PC	(G) LEFT LOWER DIVIDER PANEL		1 PC
(D) UPPER SHELF		1 PC	(H) RIGHT LOWER DIVIDER PANEL		1 PC

# ITEM: 700497

## PARTS IDENTIFICATION

(I) REAR LEFT LEG FRONT RIGHT LEG		2 PCS	(M) RIGHT SIDE PANEL		1 PC
(J) FRONT LEFT LEG REAR RIGHT LEG		2 PCS	(N) DRAWER BACK PANEL		1 PC
(K) DRAWER FRONT PANEL		1 PCS	(O) DRAWER BOTTOM SUPPORT		1 PC
(L) LEFT DRAWER SIDE PANEL		1 PC	(P) DRAWER BOTTOM PANEL		1 PC

# ITEM:700497

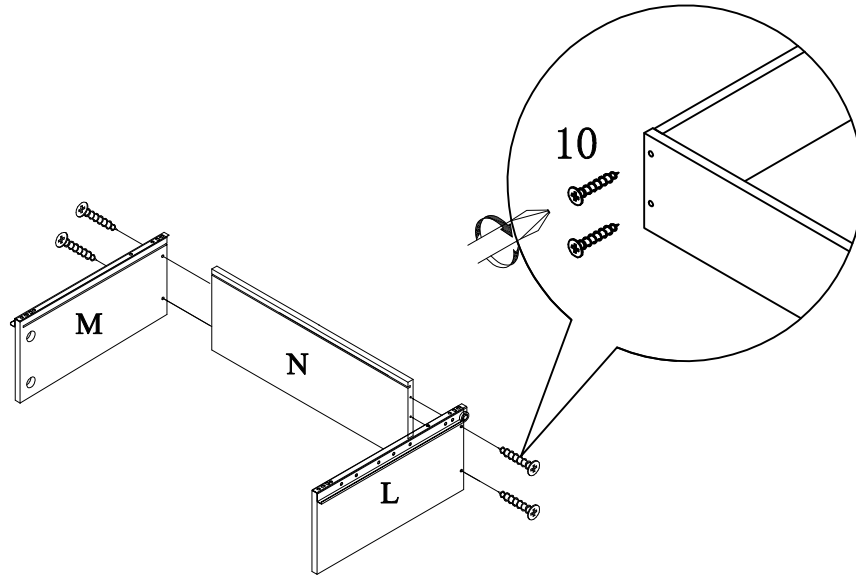
## HARDWARE IDENTIFICATION

1	LARGE CAMBOLT	L=29mm		18pcs
2	LARGE CAMLOCK	Ø15mm		18pcs
3	SMALL CAMBOLT	L=20mm		4pcs
4	SMALL CAMLOCK	ET12mm		4pcs
5	SHORT DOWEL	Ø8x25mm		14pcs
6	LONG DOWEL	Ø6x30mm		2pcs
7	WOOD SCREW	Ø7x48mm		2pcs
8	WASHER	Ø8x16x2mm		2pcs
9	FLAT-HEAD SCREW	M6x12mm		2pcs
10	LARGE SCREW	Ø4x30mm		6pcs
11	EXTRA LARGE SCREW	Ø4x40mm		4pcs
12	IRON LEG	80x25x82mm		1pc
13	HANDLE			1pc
14	HANDLE SCREW	M4x10mm		1pc
15	STICKER	Ø20mm		6pcs
16	NAIL			30pcs
17	GLUE			1pc

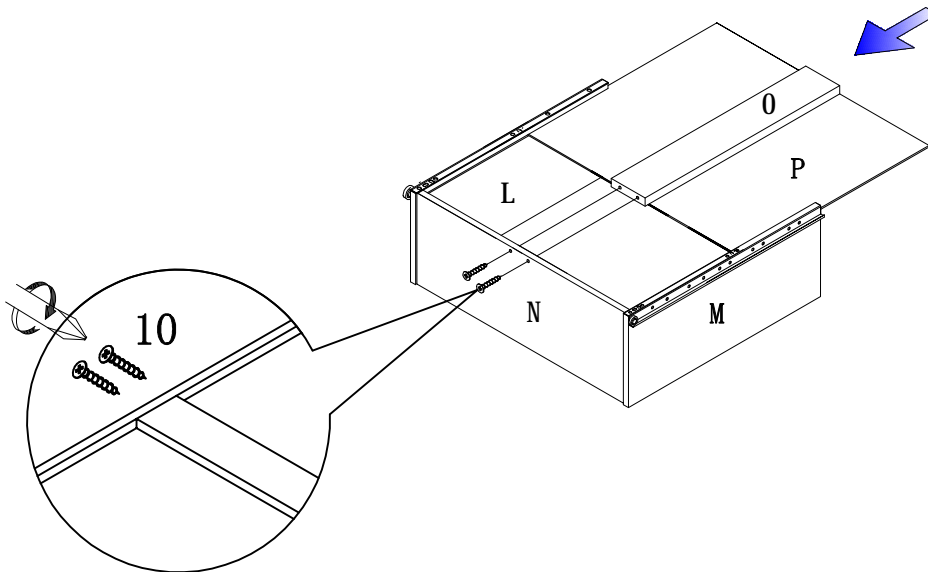
# ITEM: 700497

## ASSEMBLY INSTRUCTIONS

### STEP 1



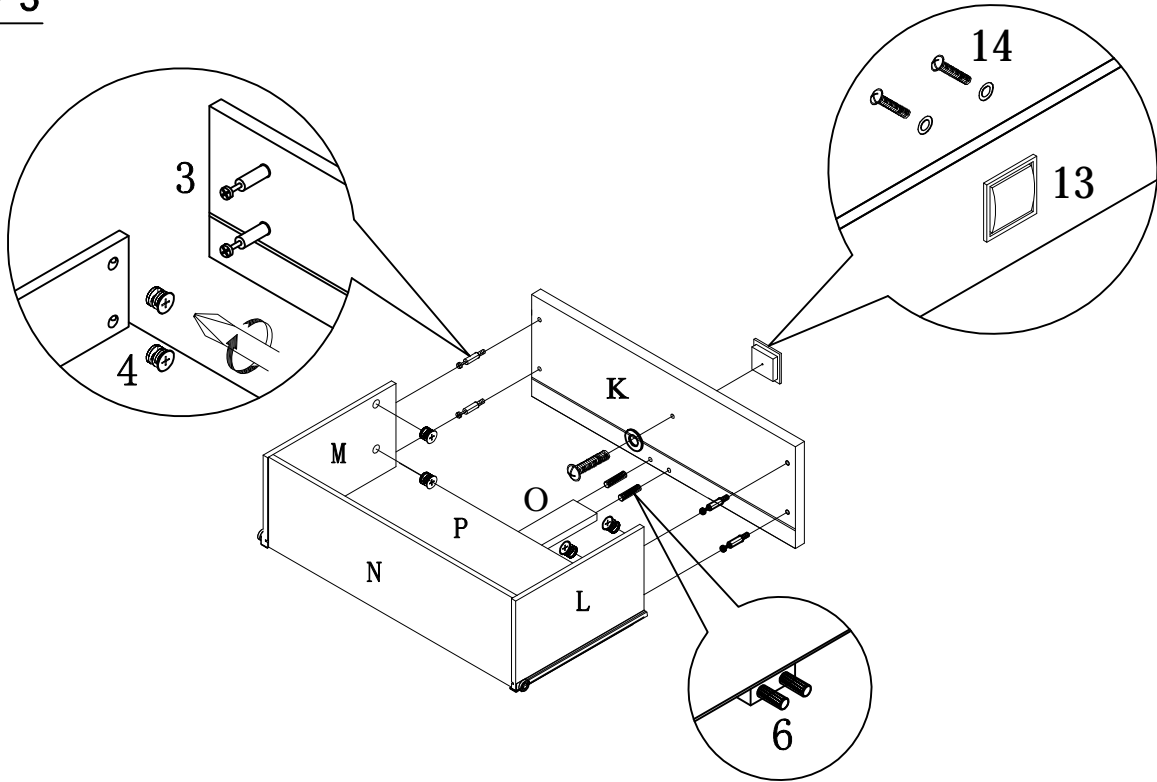
### STEP 2



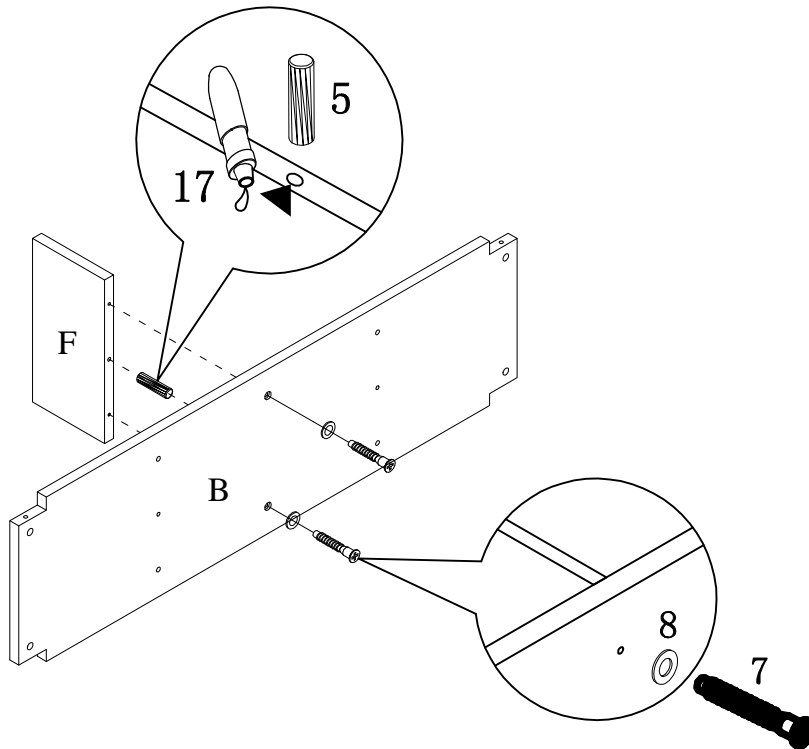
# ITEM: 700497

## ASSEMBLY INSTRUCTIONS

### STEP 3



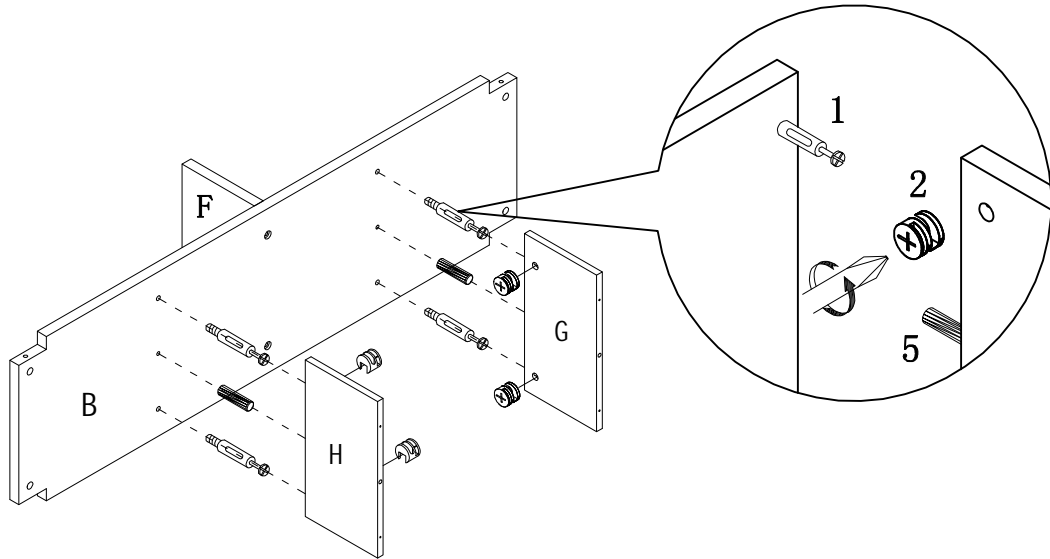
### STEP 4



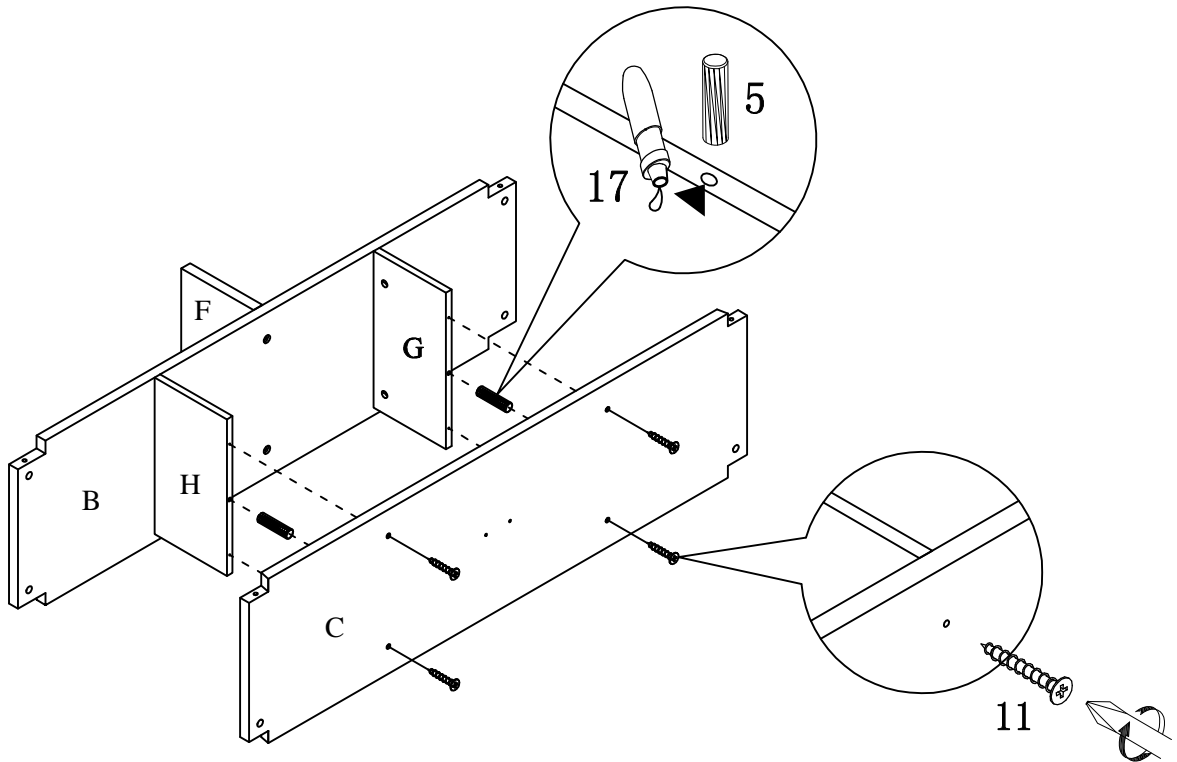
# ITEM: 700497

## ASSEMBLY INSTRUCTIONS

### STEP 5



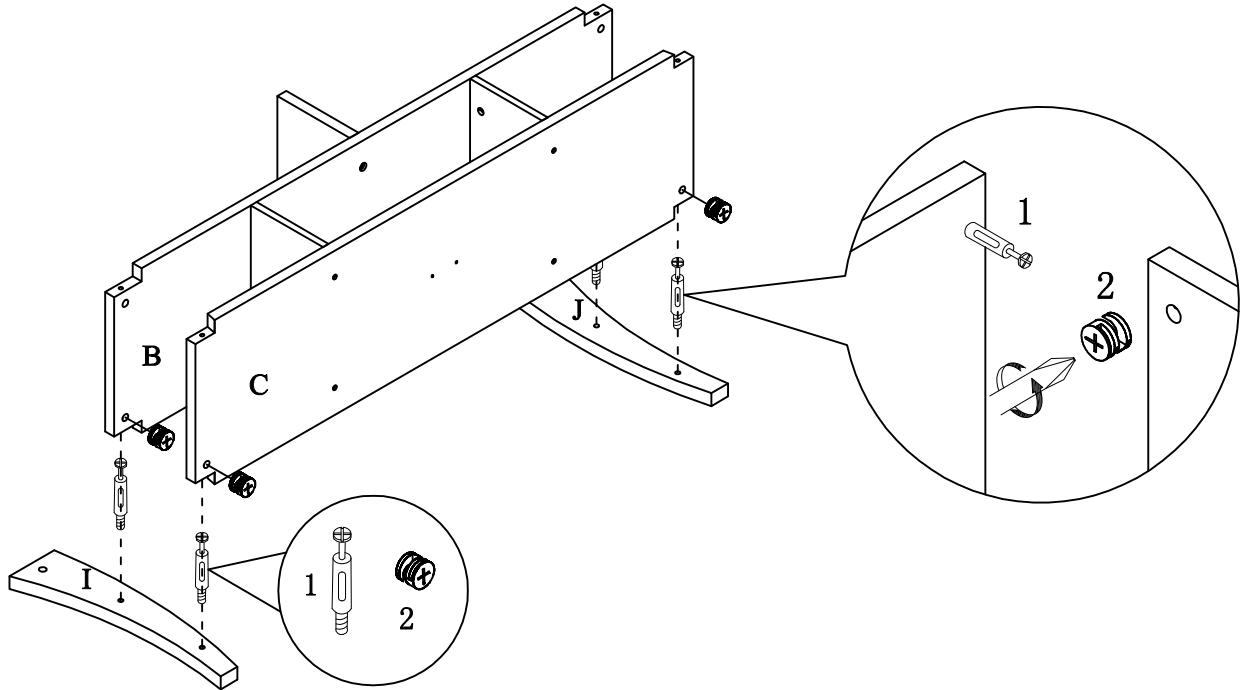
### STEP 6



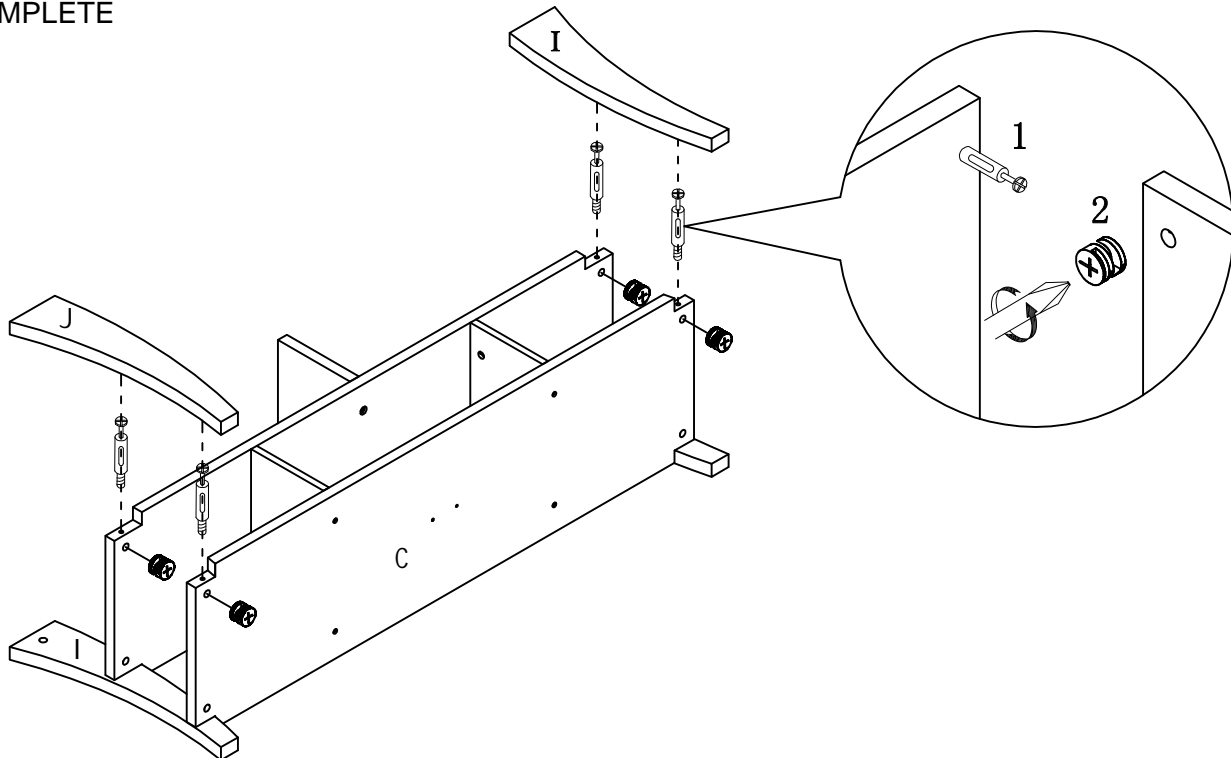
# ITEM: 700497

## ASSEMBLY INSTRUCTIONS

### STEP 7



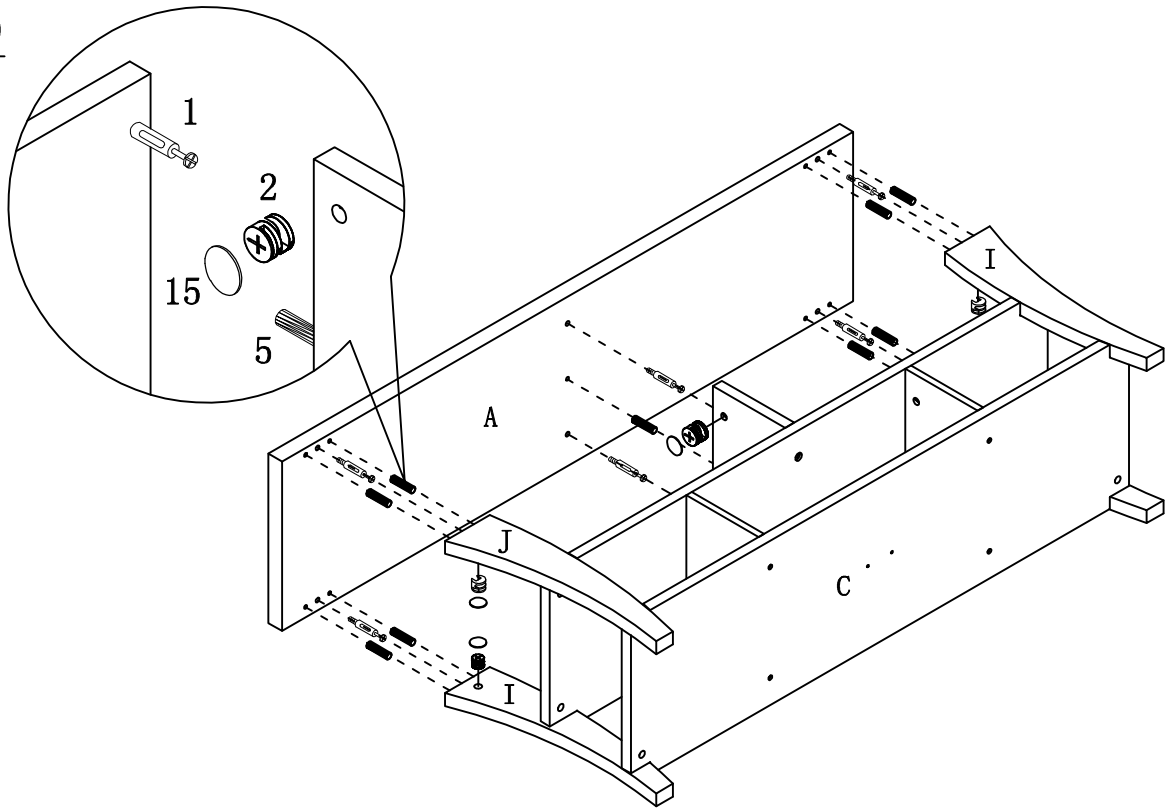
### STEP 8 COMPLETE



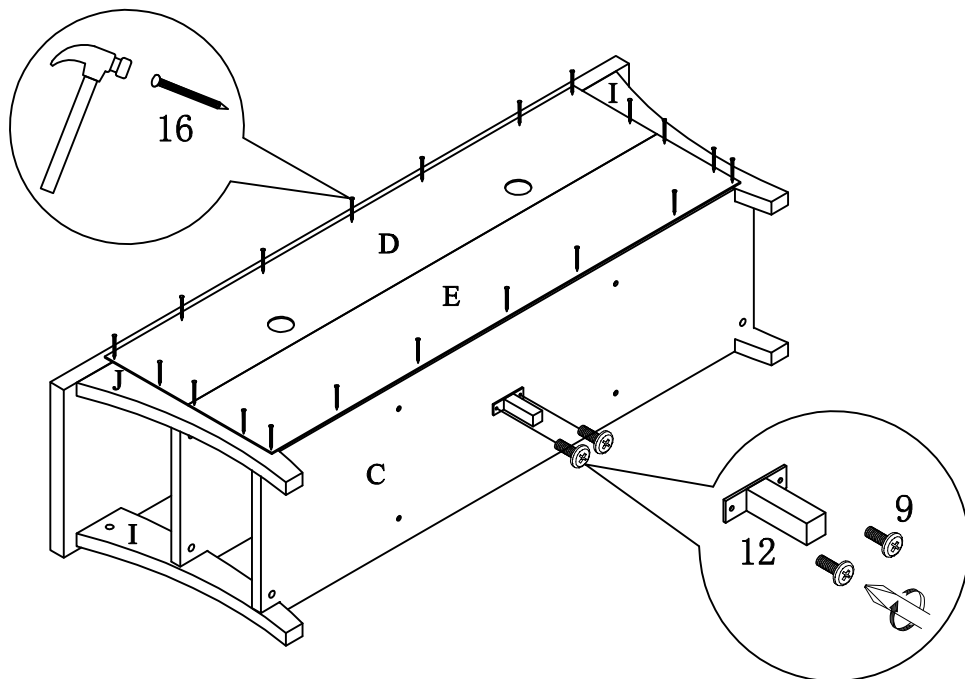
# ITEM: 700497

## ASSEMBLY INSTRUCTIONS

### STEP 9



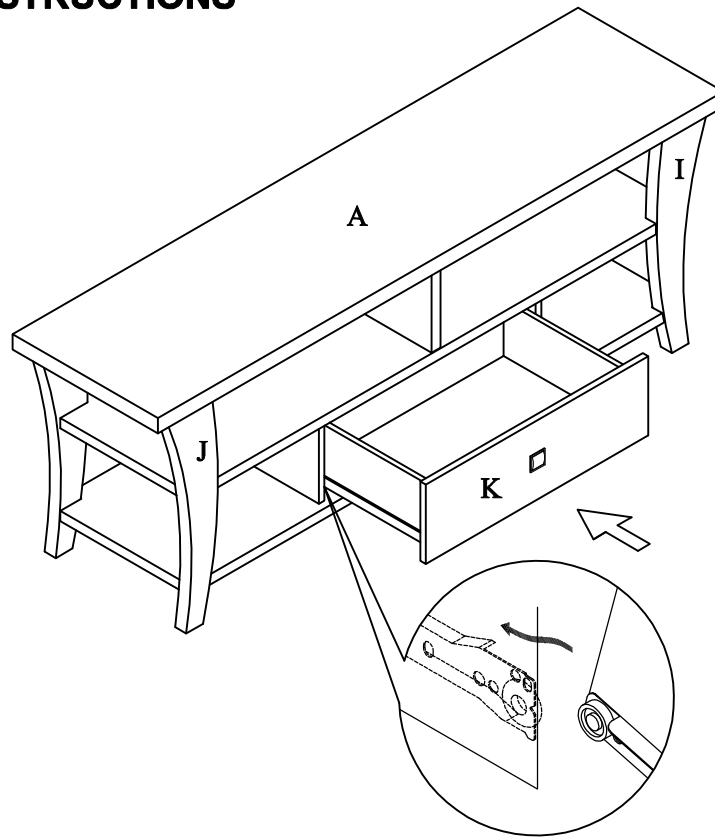
### STEP 10 COMPLETE



# ITEM: 700497

## ASSEMBLY INSTRUCTIONS

### STEP 11



### STEP 12 COMPLETE

