

INSTRUCTION MANUAL ENCLOSED

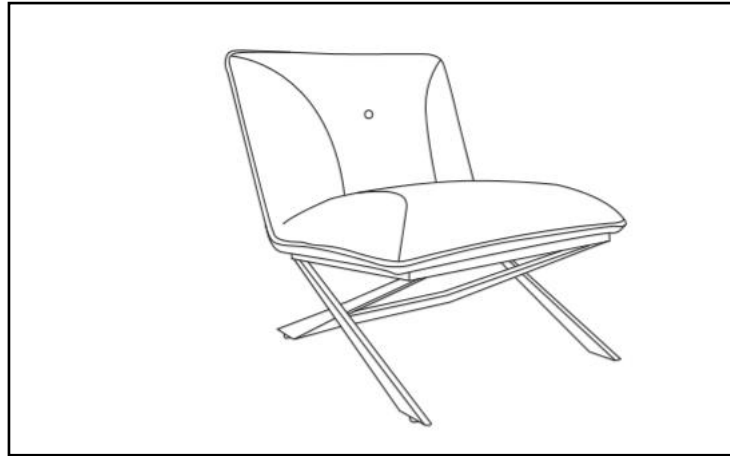
ATTENTION

IF YOU HAVE ANY PROBLEMS OR QUESTIONS, PLEASE EMAIL OR CALL THE CUSTOMER SERVICE BEFORE YOU RETURN THIS PRODUCT TO THE STORE WHERE YOU PURCHASED FROM.



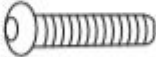

INSTRUCTION MANUAL ENCLOSED

INDOOR CHAIR

INDOOR CHAIR ASSEMBLY INSTRUCTION



PARTS LIST		
Part	Description	Quantity
<i>PARTS</i>		
A	Seat	1
B	Base	1
1		
<i>HARDWARE</i>		
C	Bolt M6 × 16mm	4
D	Allen Key	1

PART A	PART B	PART C	PART D
Seat	Base	Bolts M6 x 16 mm	Allen Key
			

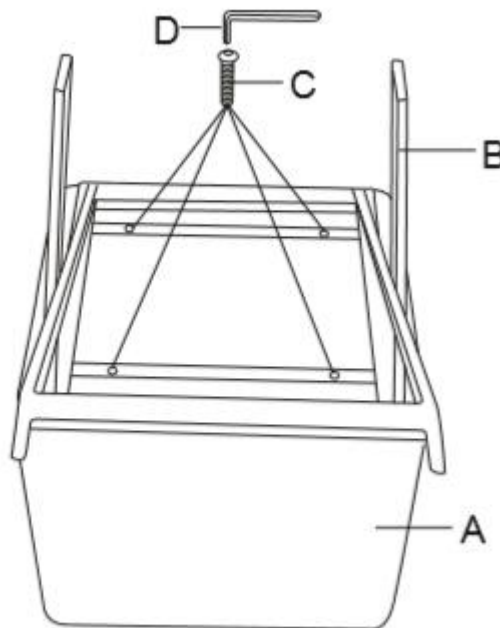
PLEASE READ AND FOLLOW ALL SAFETY TIPS

GETTING STARTED

1. Before assembly, CAREFULLY use scissors or utility knife to cut and unwrap all parts. Make sure you do not discard the hardware.

***Do not fasten the bolts before finishing all steps.

1. Turn over the seat and locate the Base (B) to the Seat (A) by aligning the pre-drilled holes. Fasten all 4 pieces of Bolts (C) with Allen Key(D).
Remark: Make sure you put correct direction of Base when Assemble.



2. Turn back the whole assembled chair.



Till now you have finished the whole assembly.