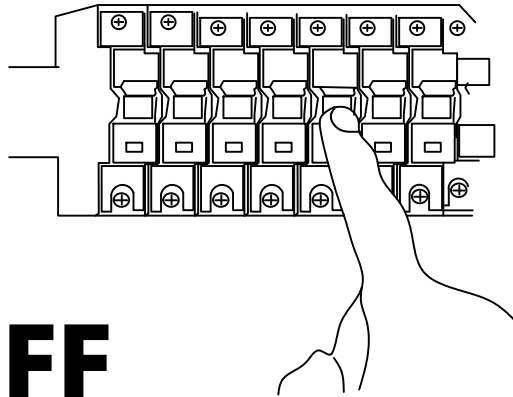


Installation sequence

1

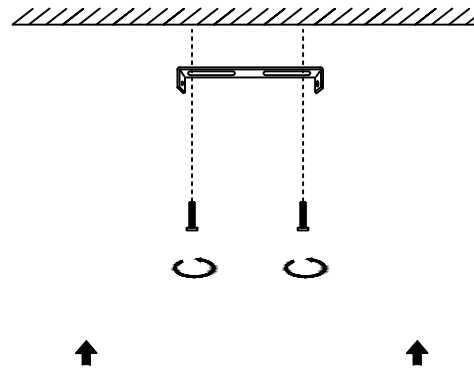


OFF

STEPS

Turn off the power

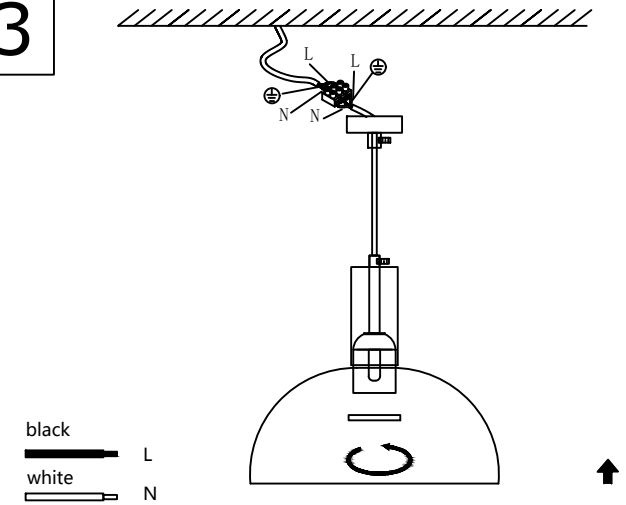
2



STEPS

1. Lift the ceiling plate of the whole lamp to the hole of the
2. hanging plate, and fix it with screws

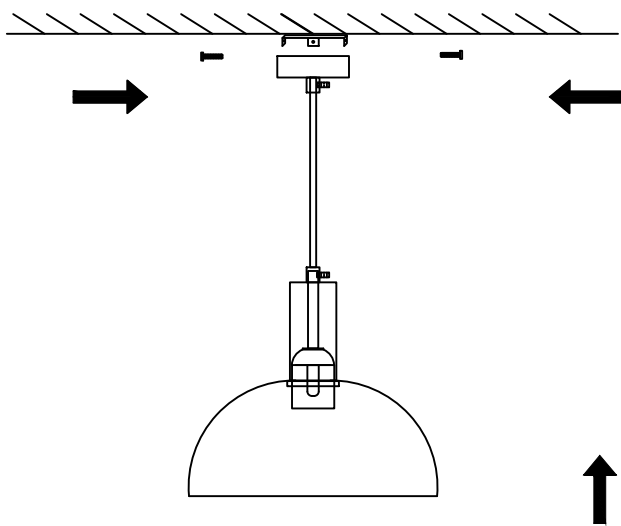
3



STEPS

1. Connect the power cord of the lamp body to the reserved Power cord, pay attention to the positive and negative poles

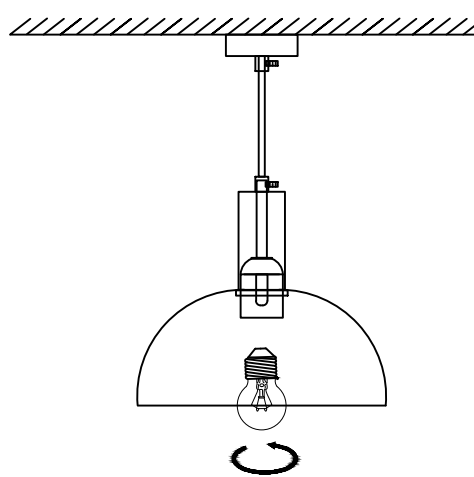
4



STEPS

Fix the lamp body on the ceiling plate with screws

5



STEPS

The installation is complete

Advertencia:

- 1、Lamp holder requirements : E26 ~ 50 / 60Hz
- 2、For indoor use only
- 3、Please professionally install to prevent the risk of electric shock
- 4、Before installation, check whether
- 5、Please cut off the power before installation Supply to prevent leakage
- 6、Be sure to follow the installation instructions to install