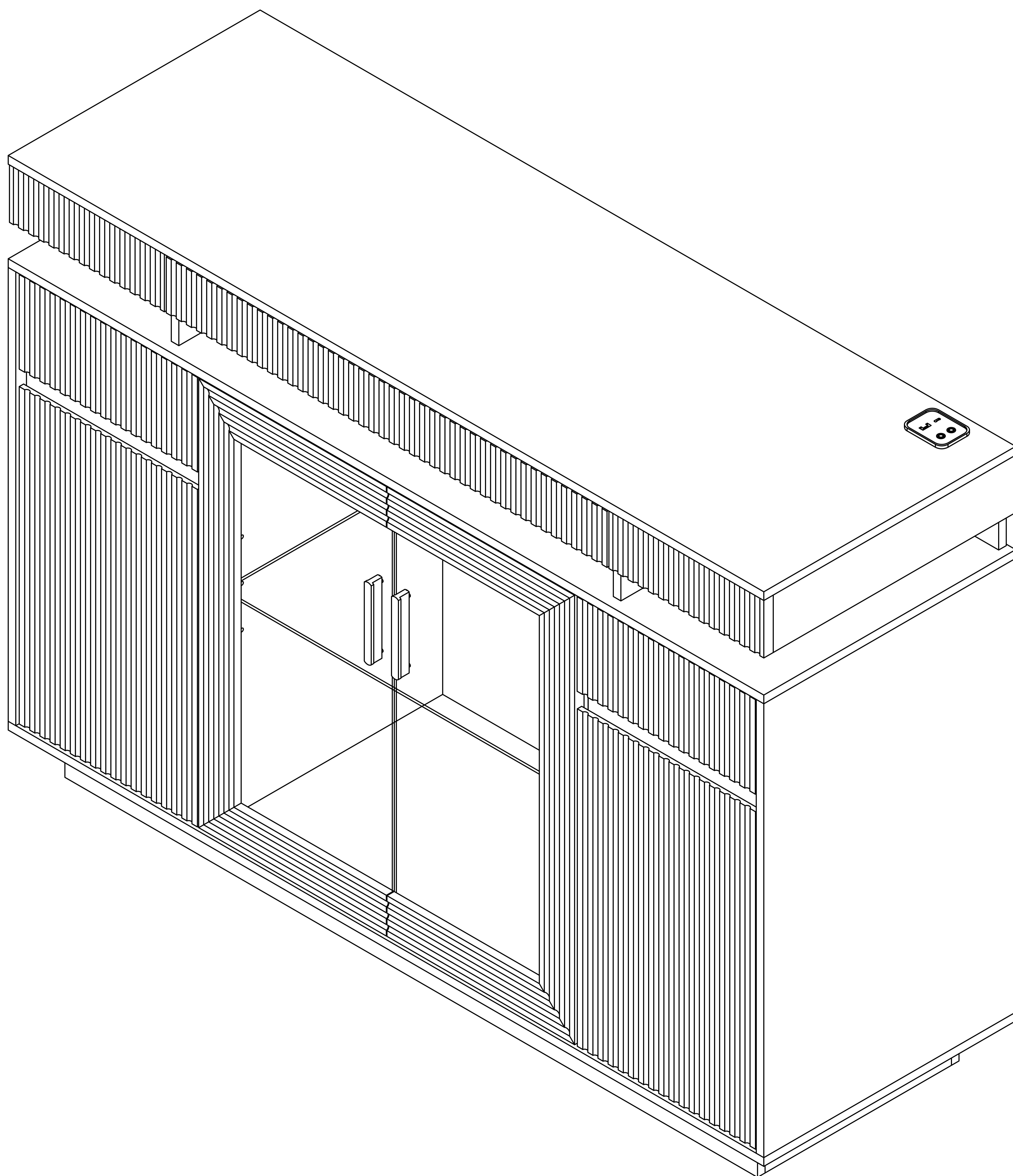
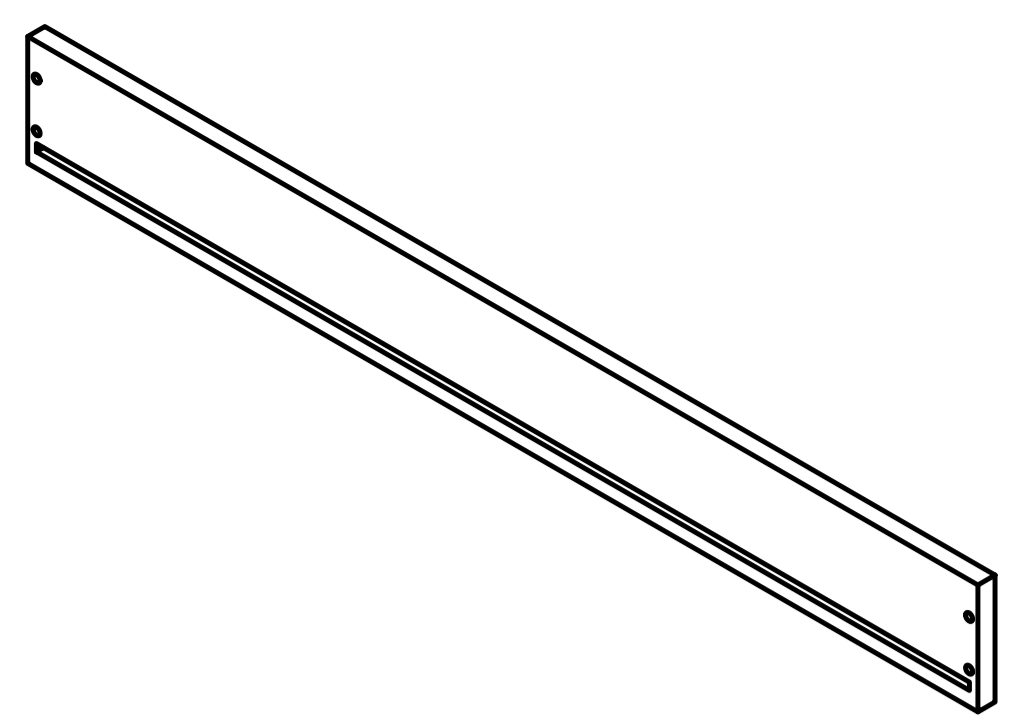
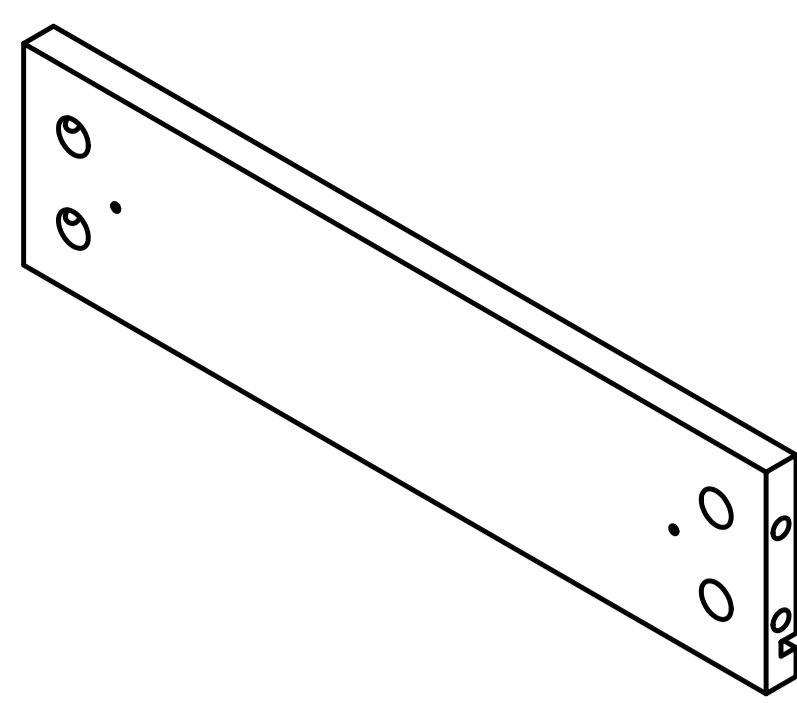


Product Installation Instructions

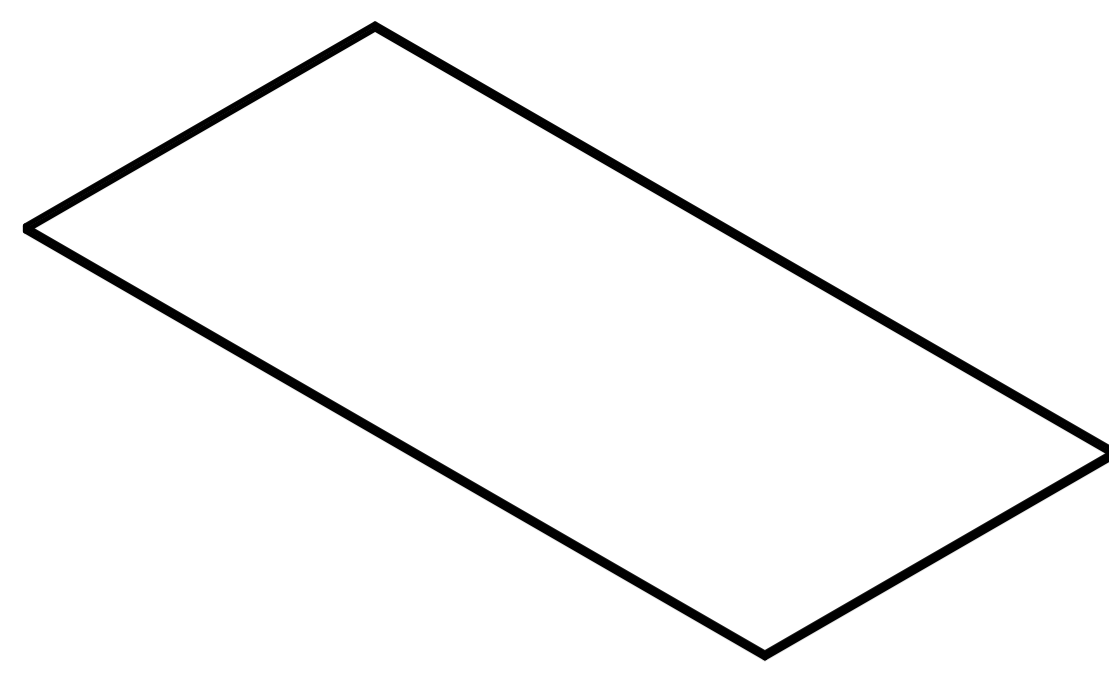




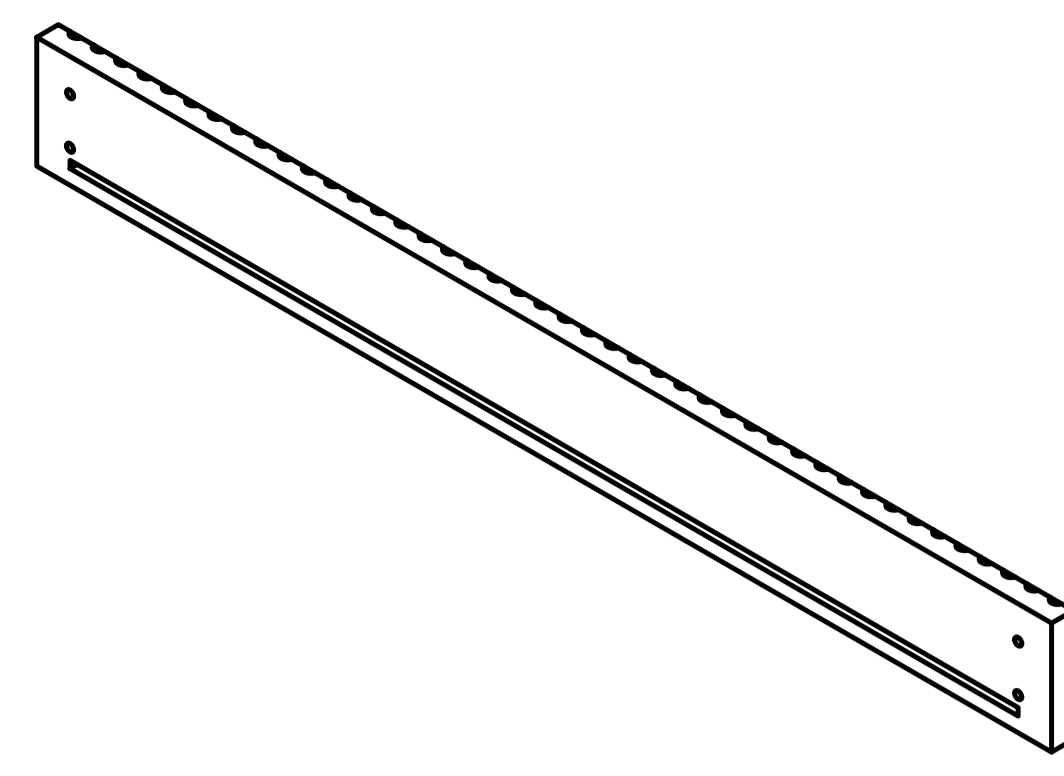
1 x1



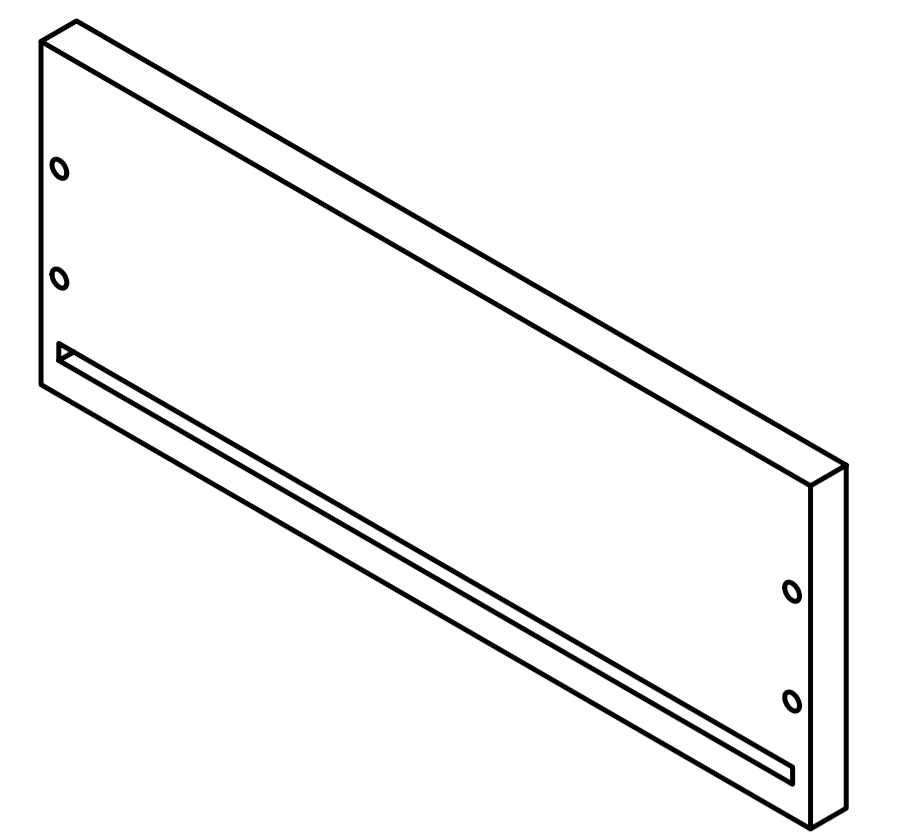
2 x2



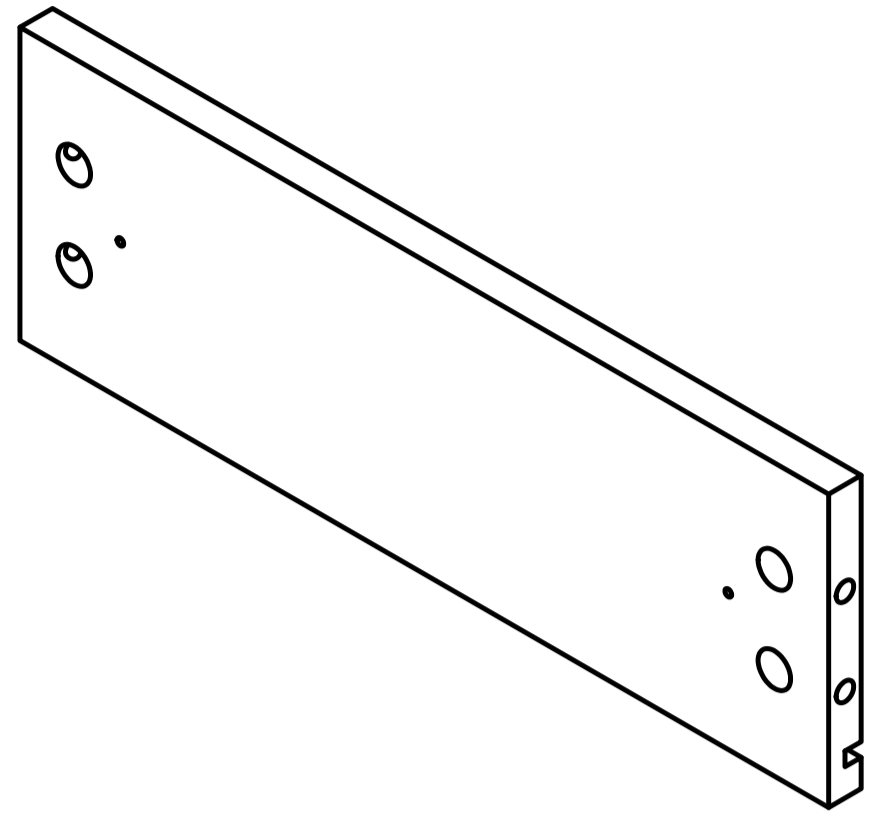
3 x1



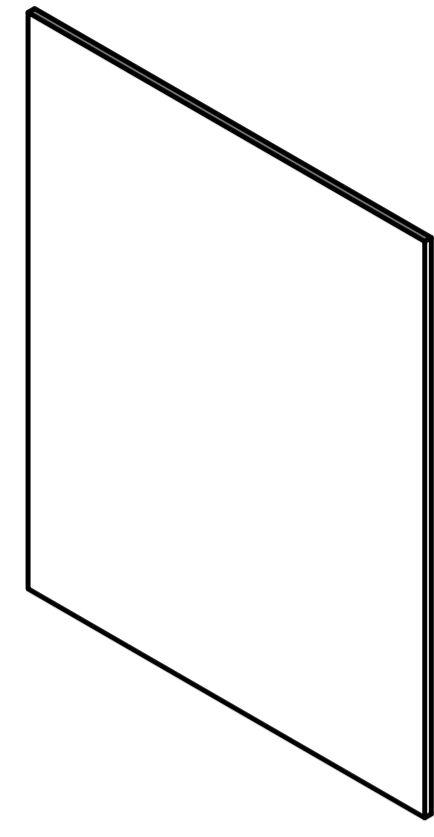
4 x1



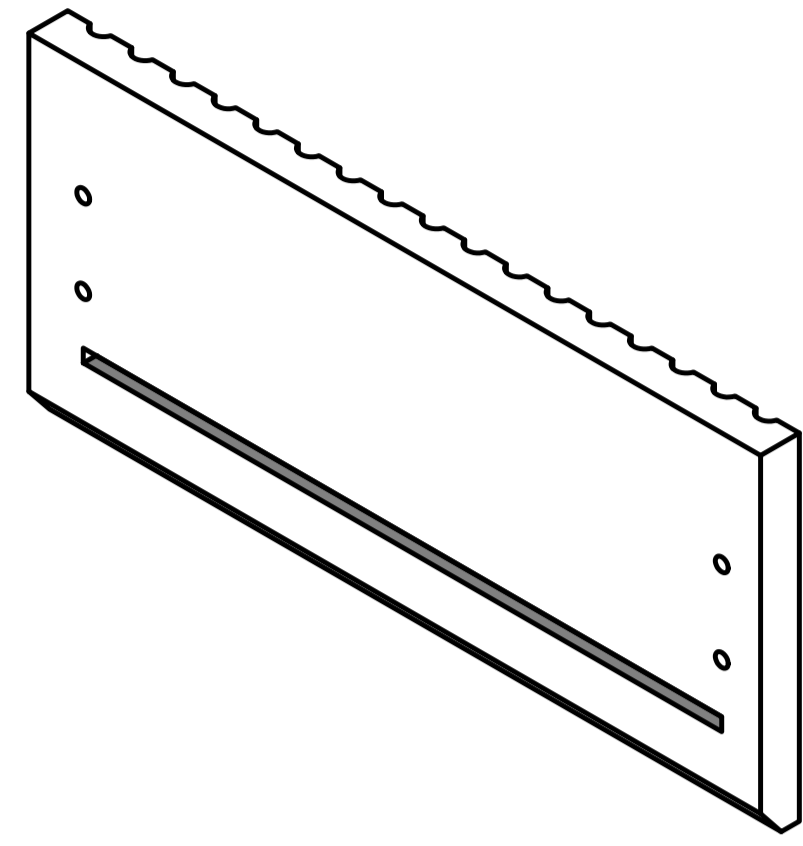
5 x2



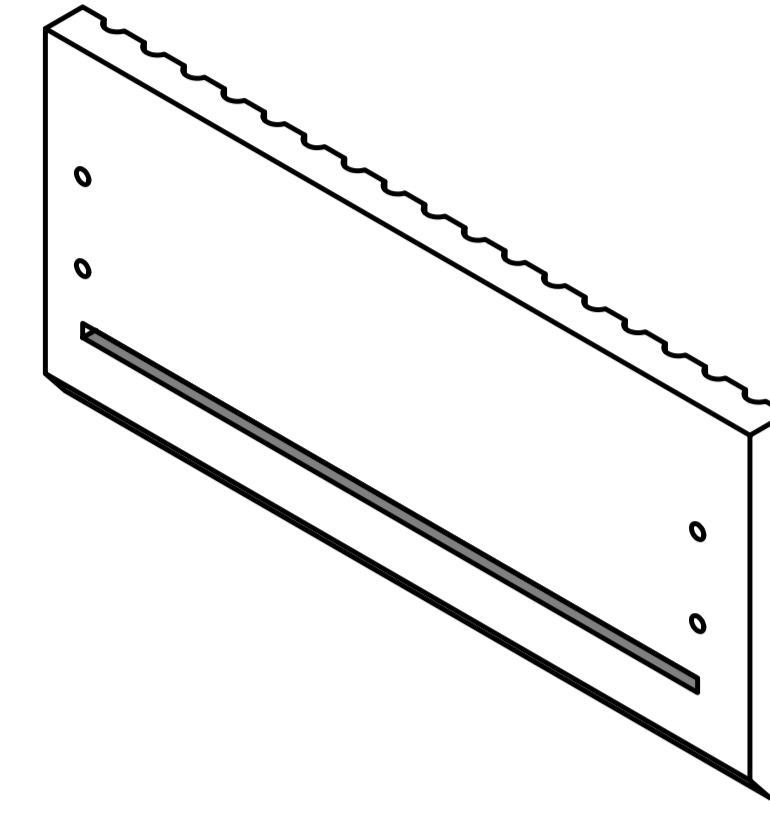
6 x4



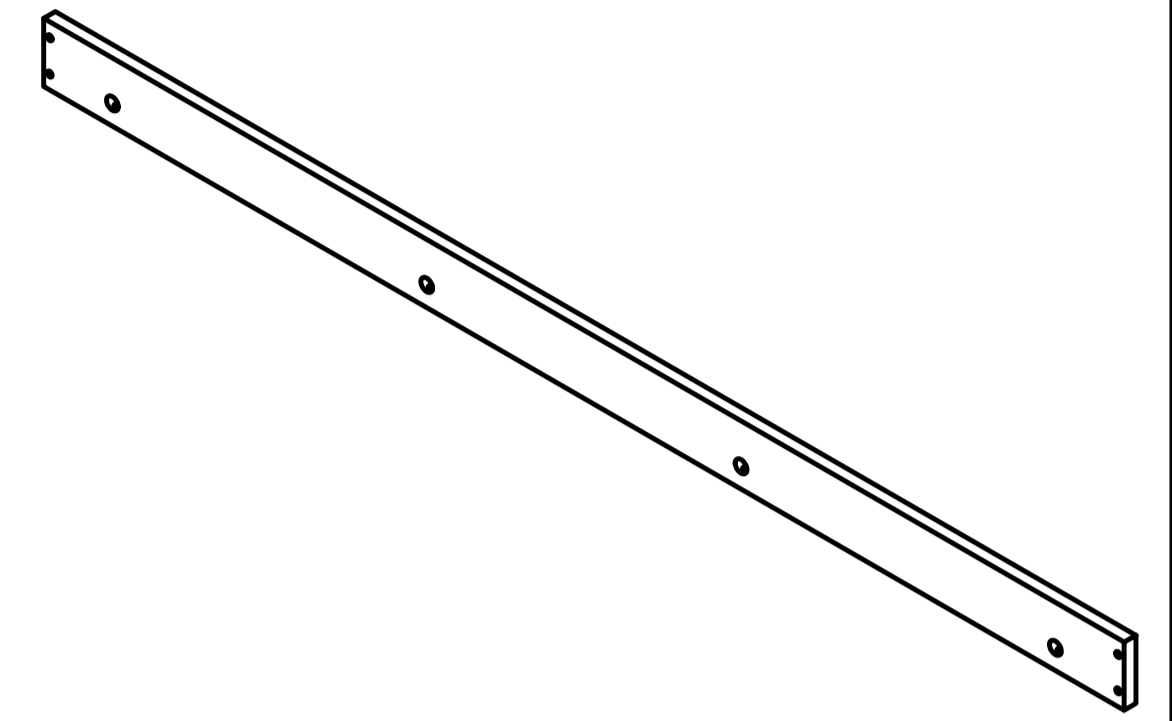
7 x2



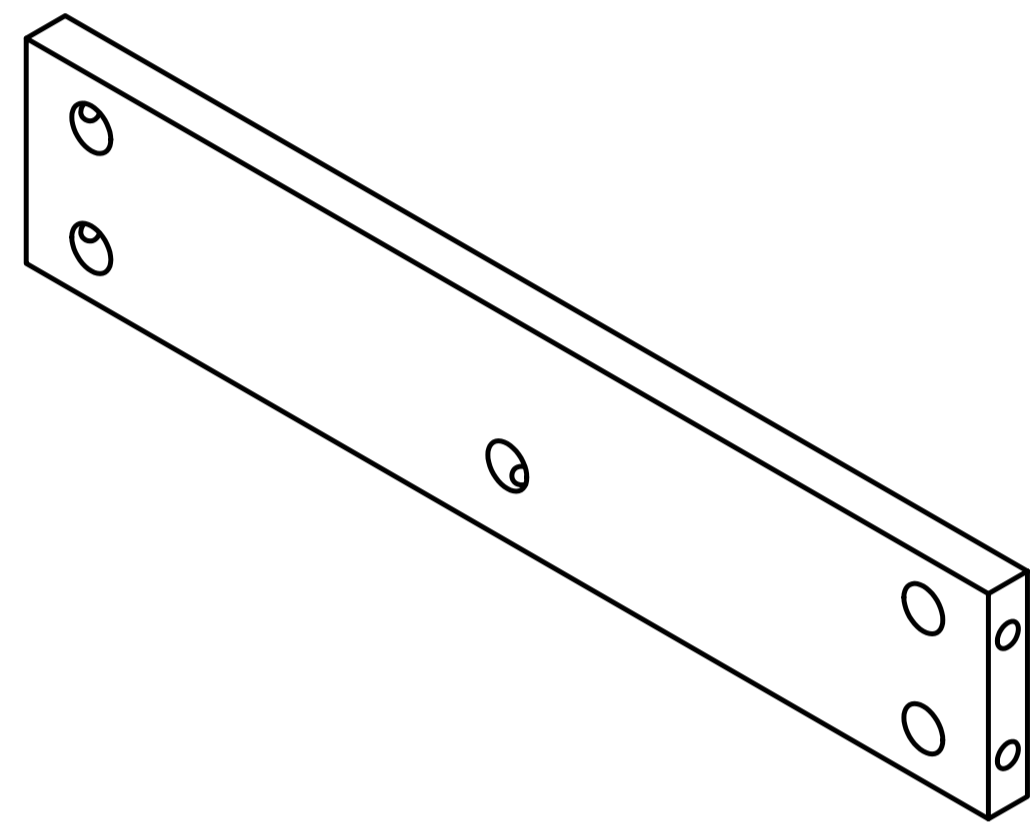
8 x1



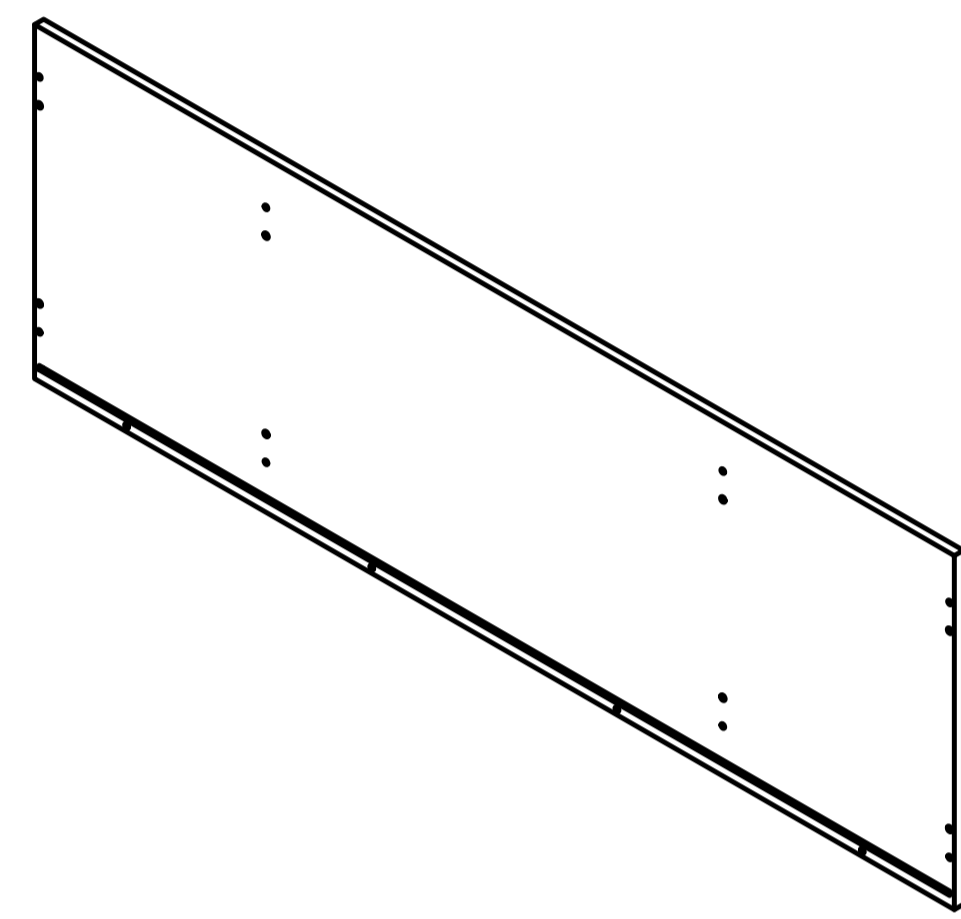
9 x1



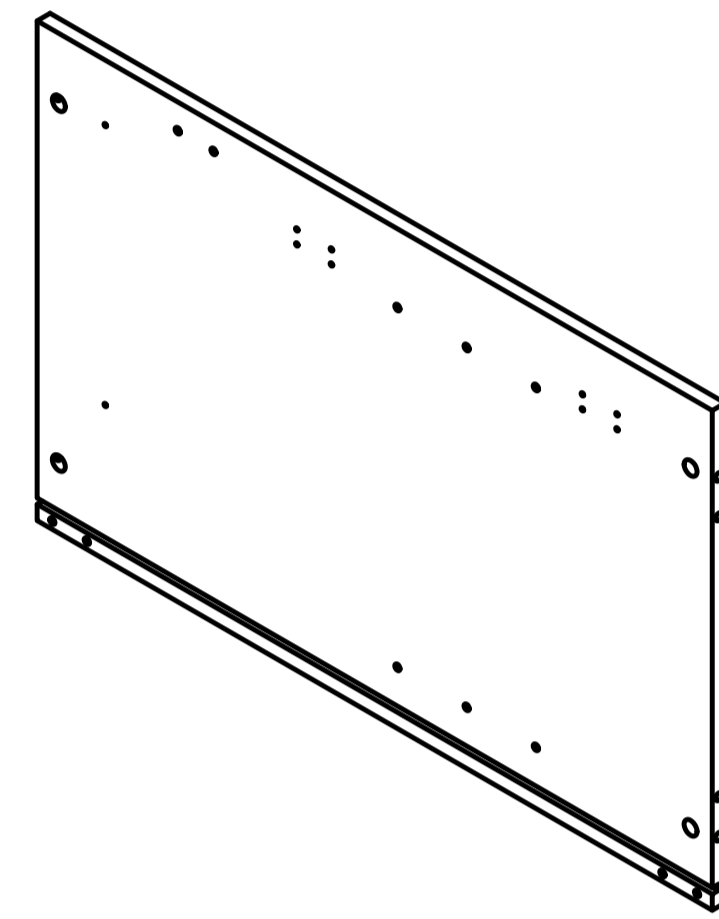
10 x2



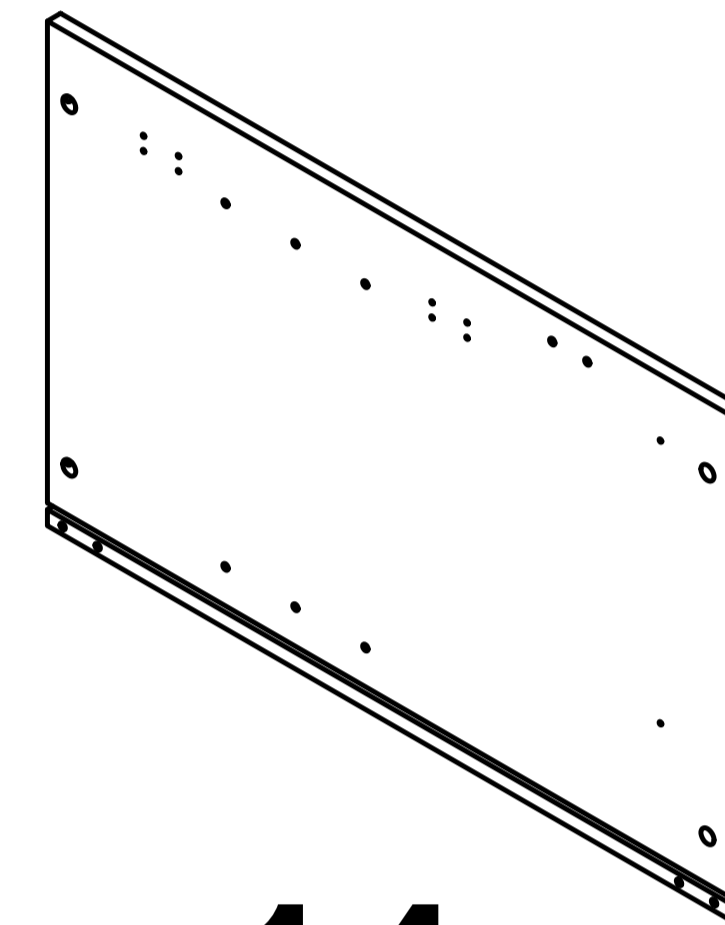
11 x2



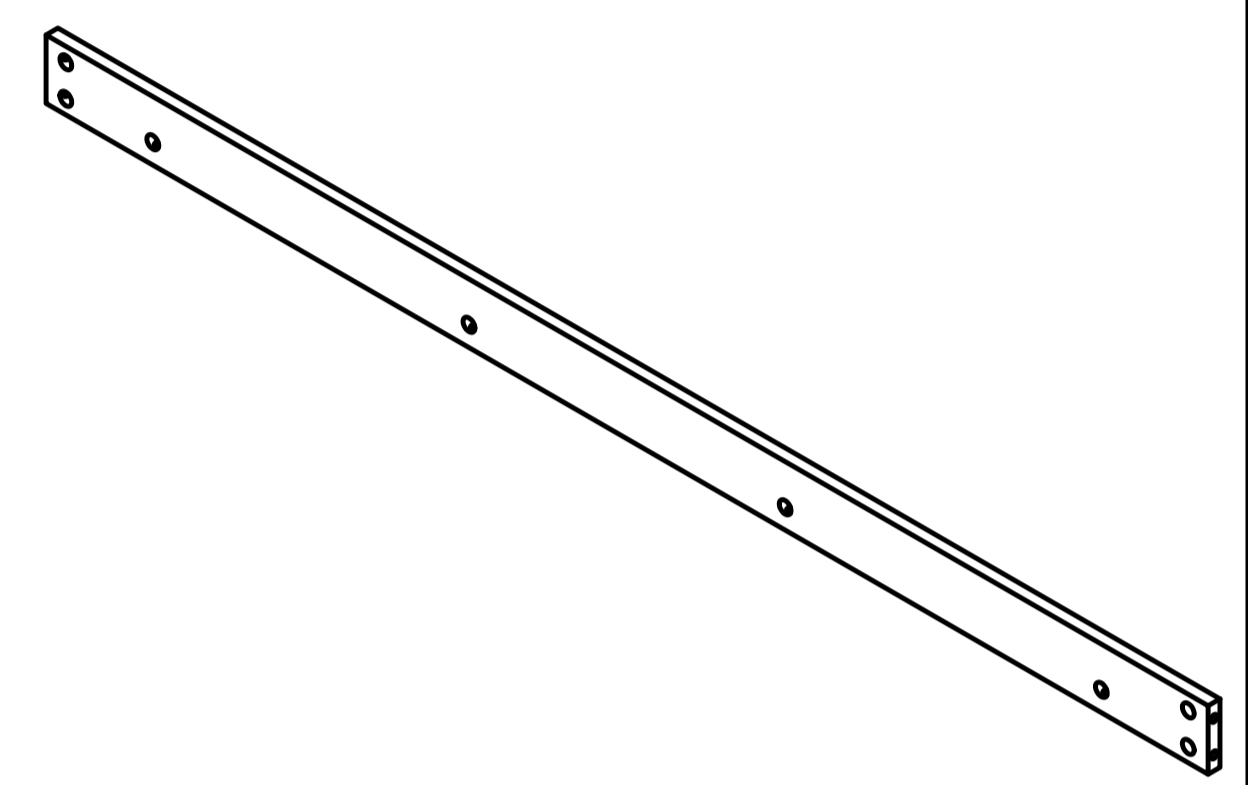
12 x1



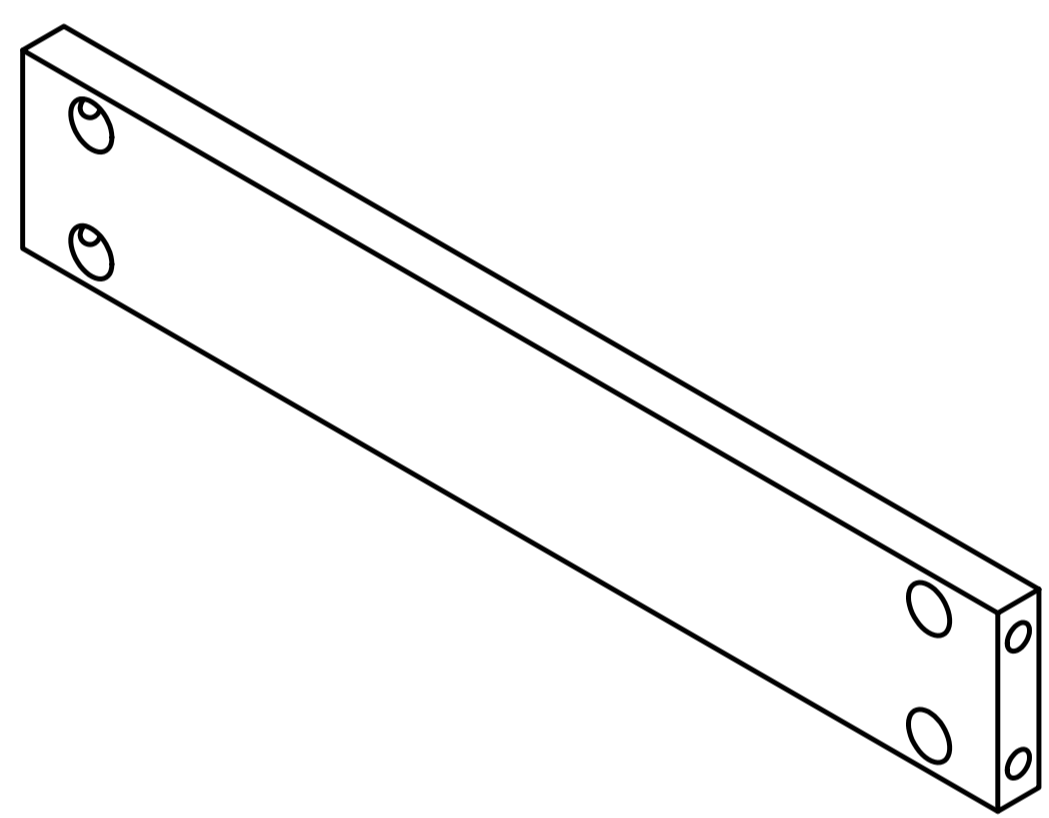
13 x1



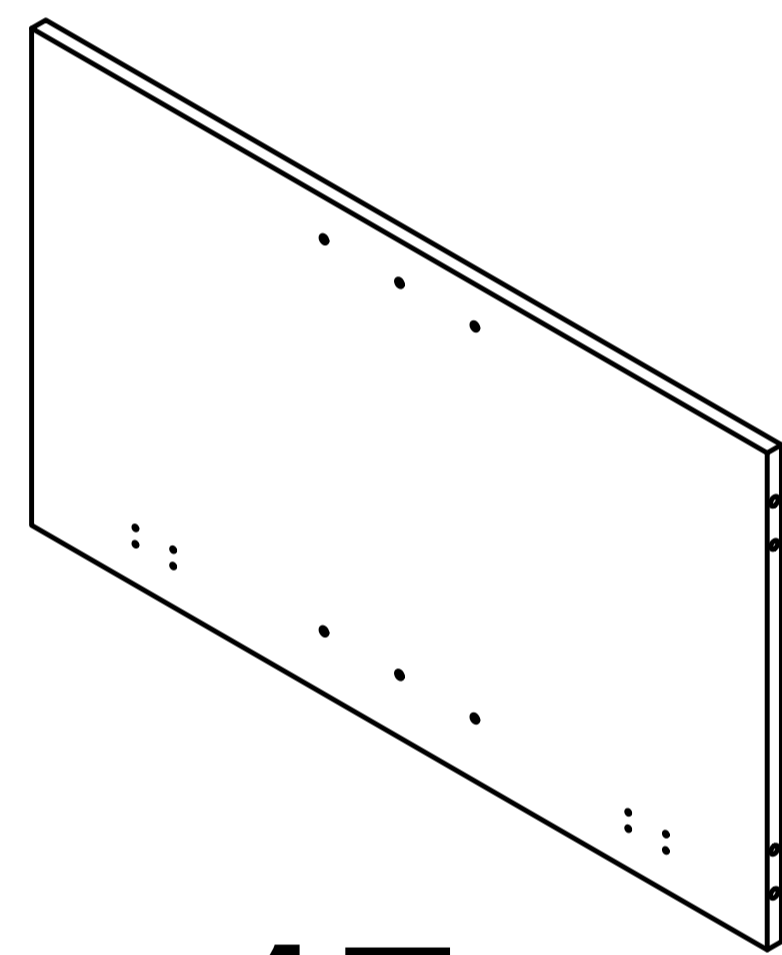
14 x1



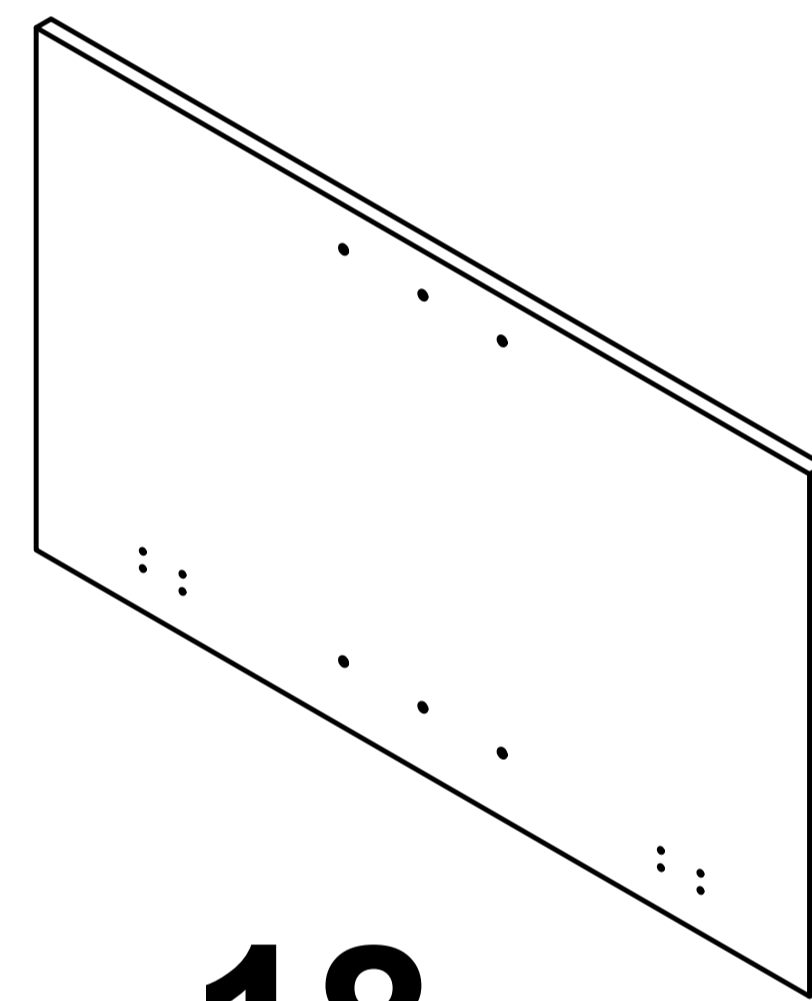
15 x2



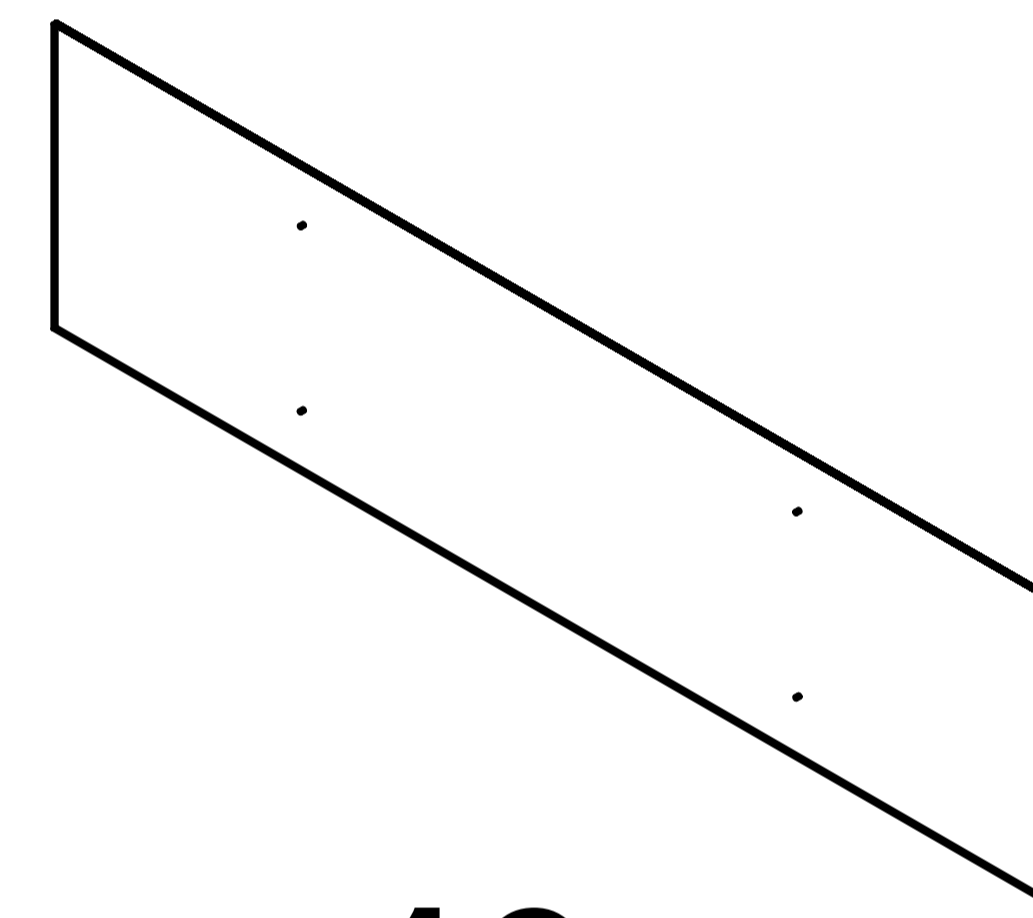
16 x2



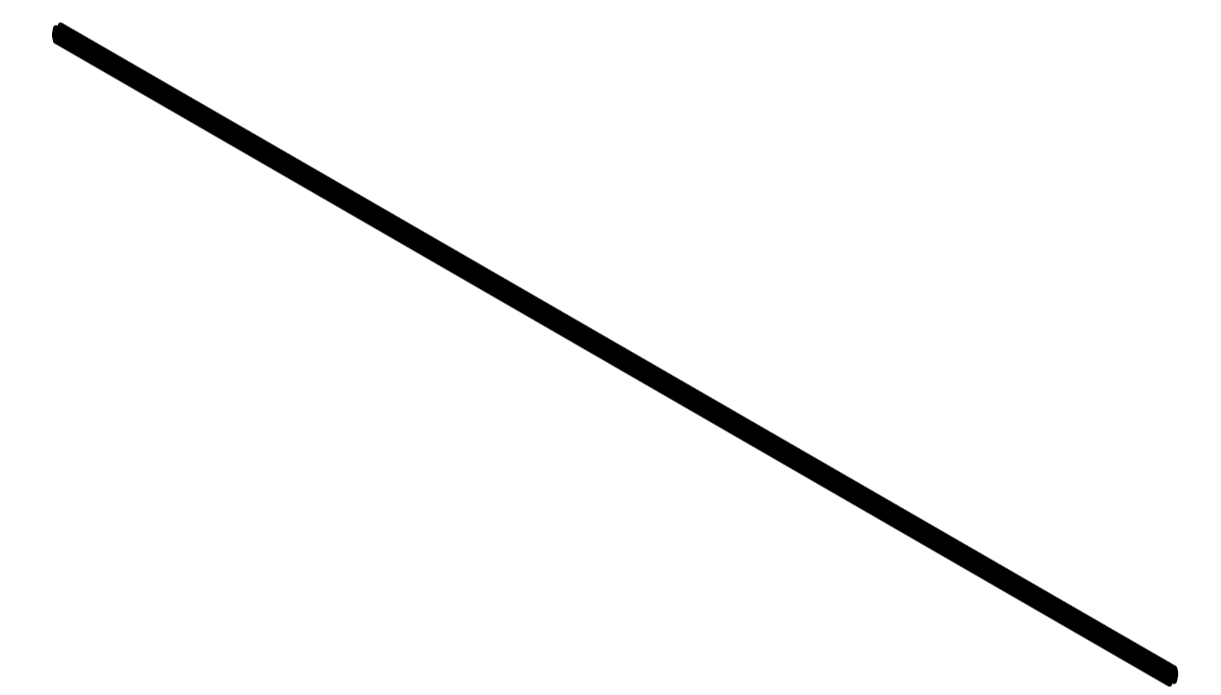
17 x1



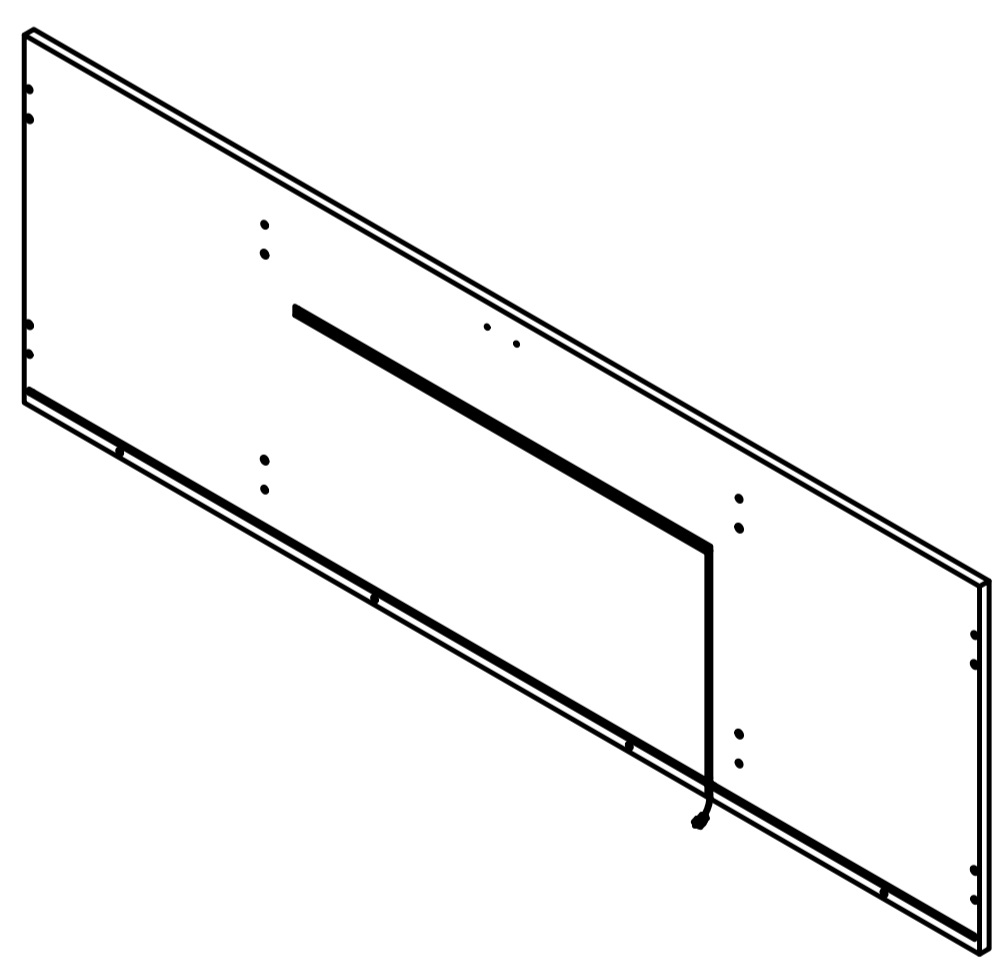
18 x1



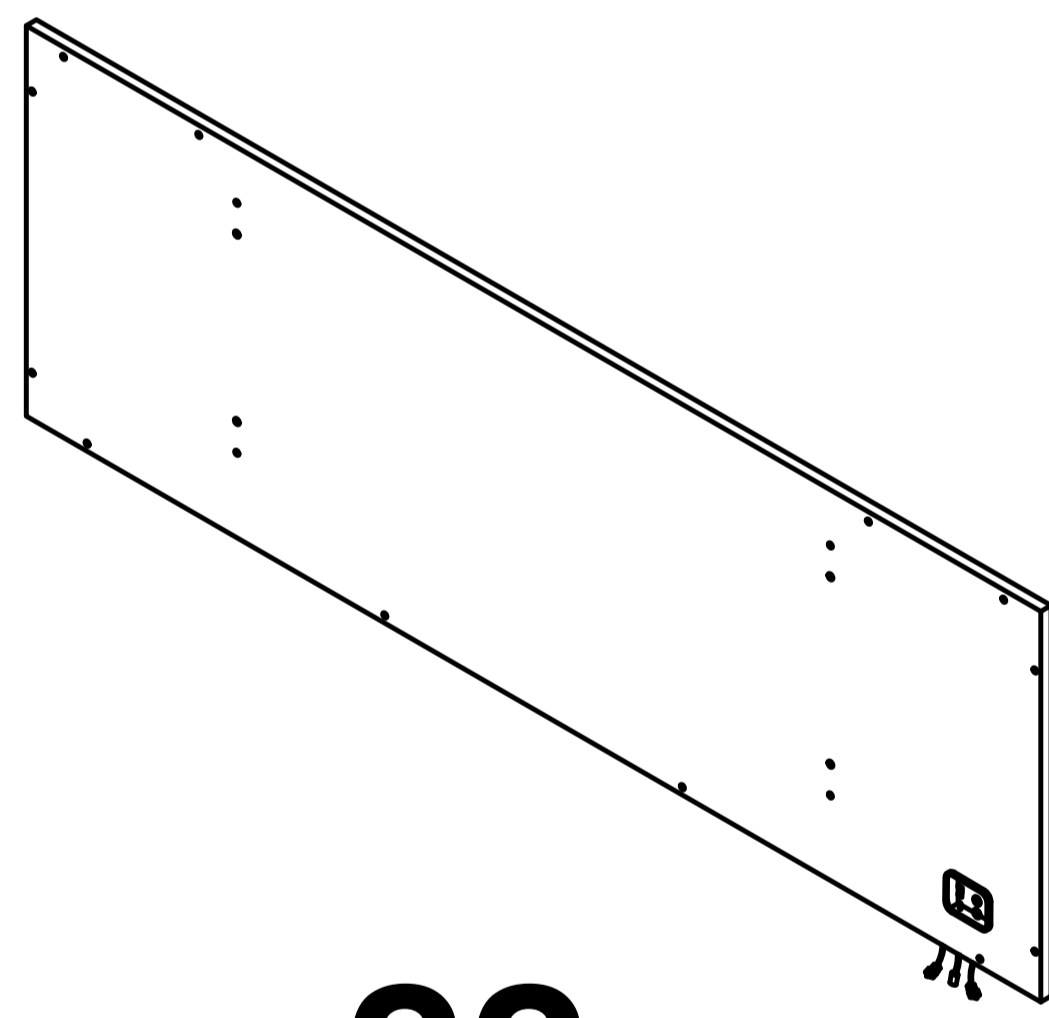
19 x2



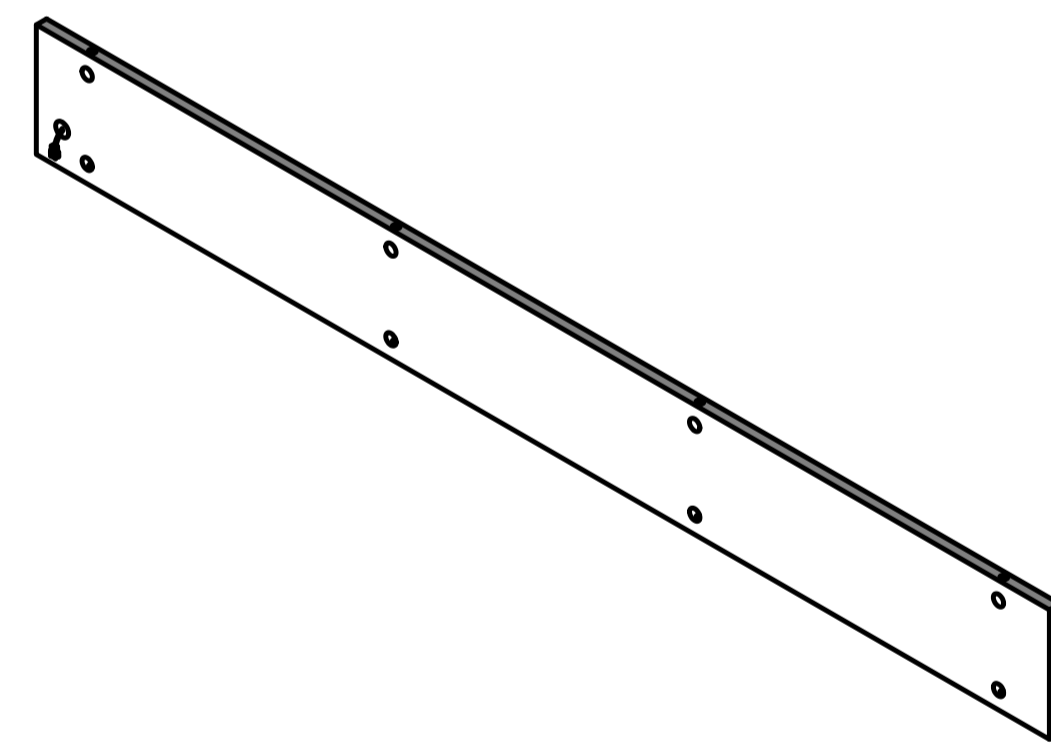
20 x1



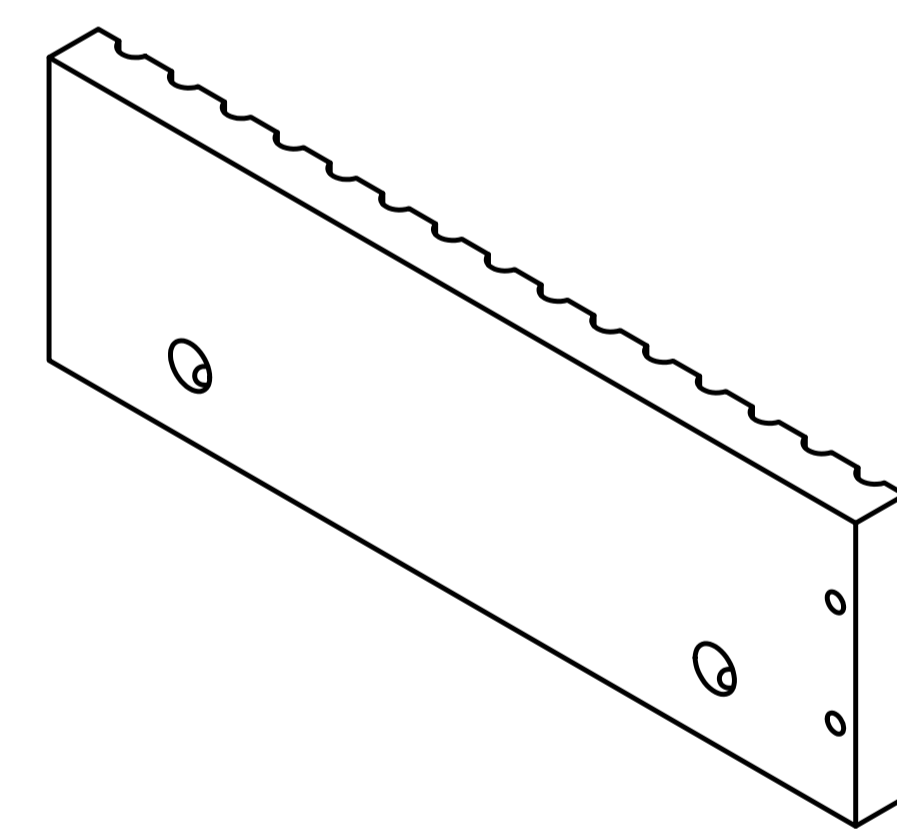
21 x1



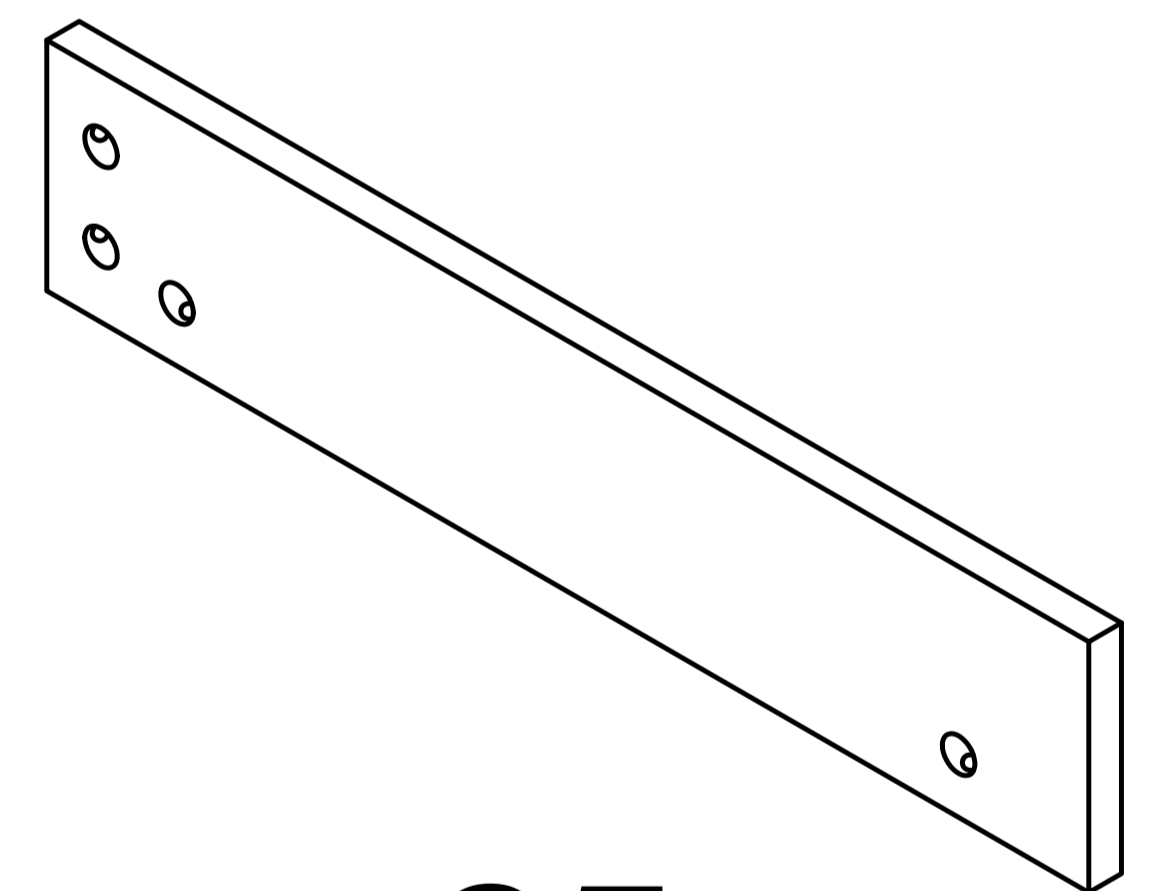
22 x1



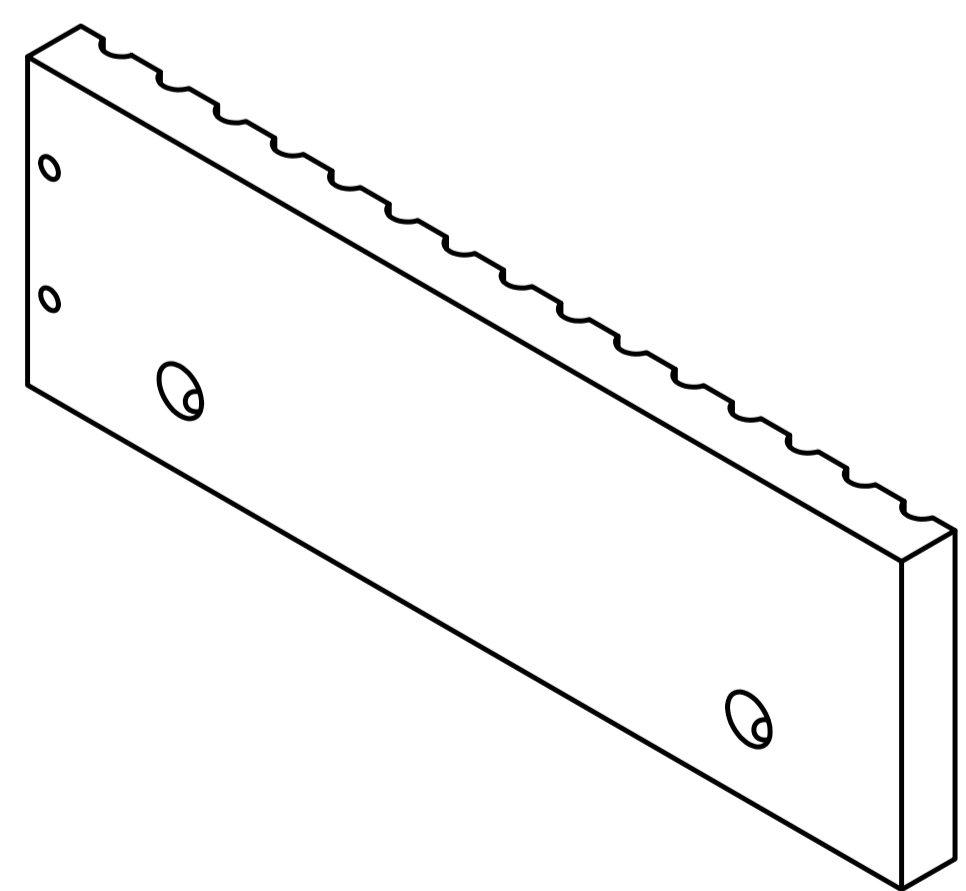
23 x1



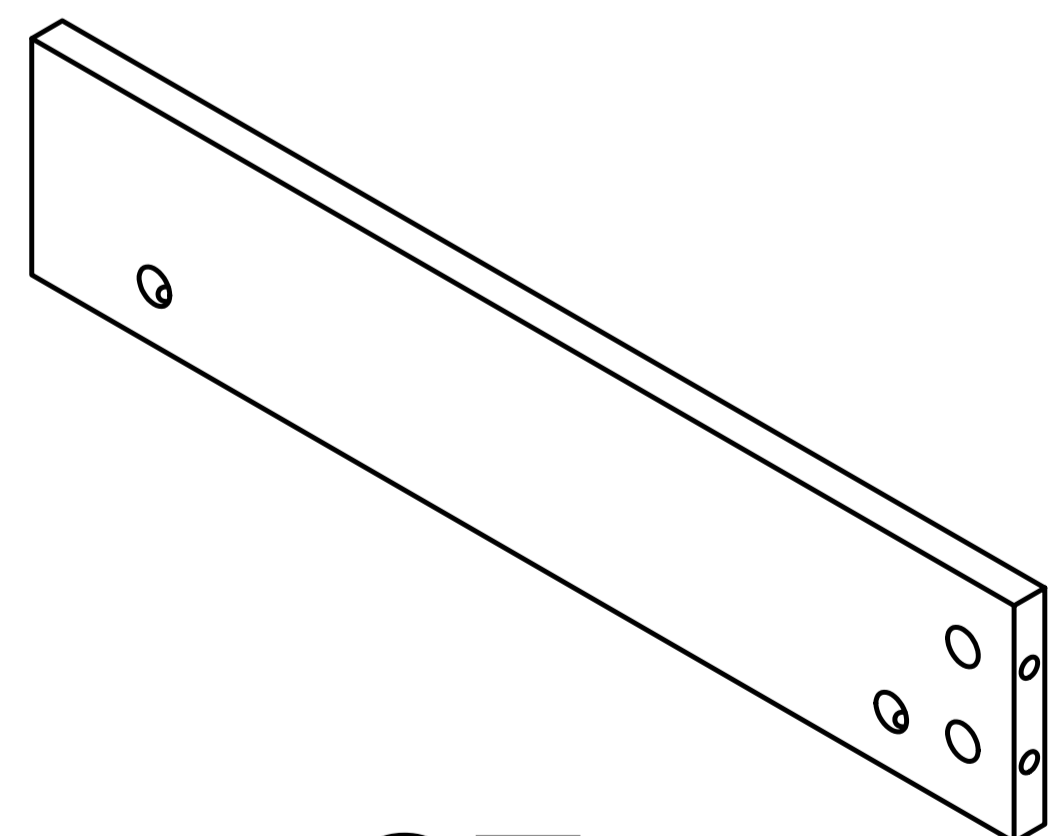
24 x1



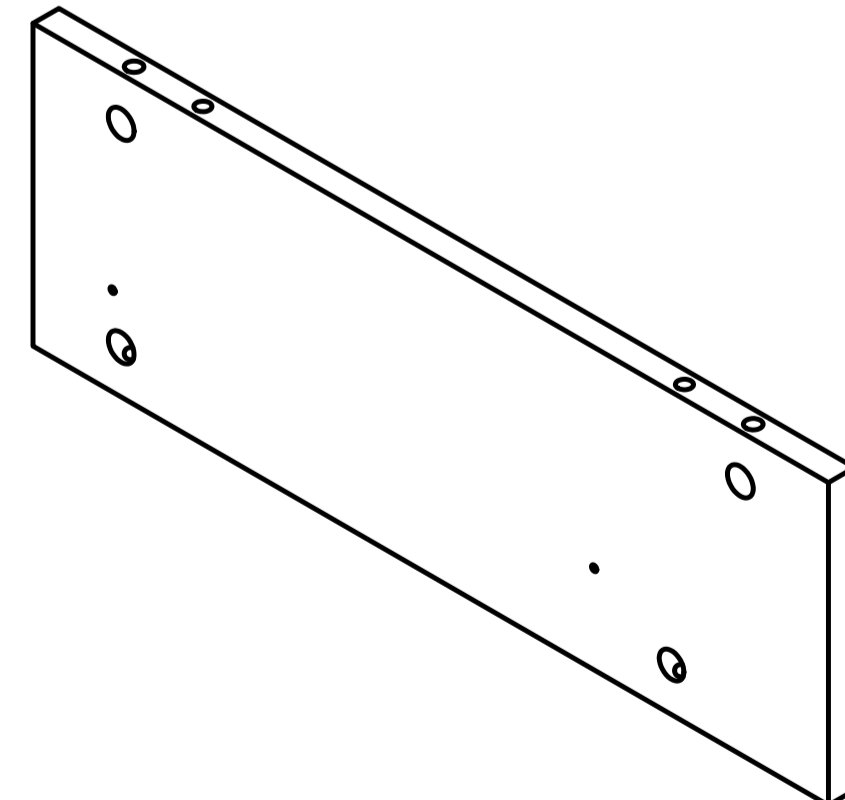
25 x1



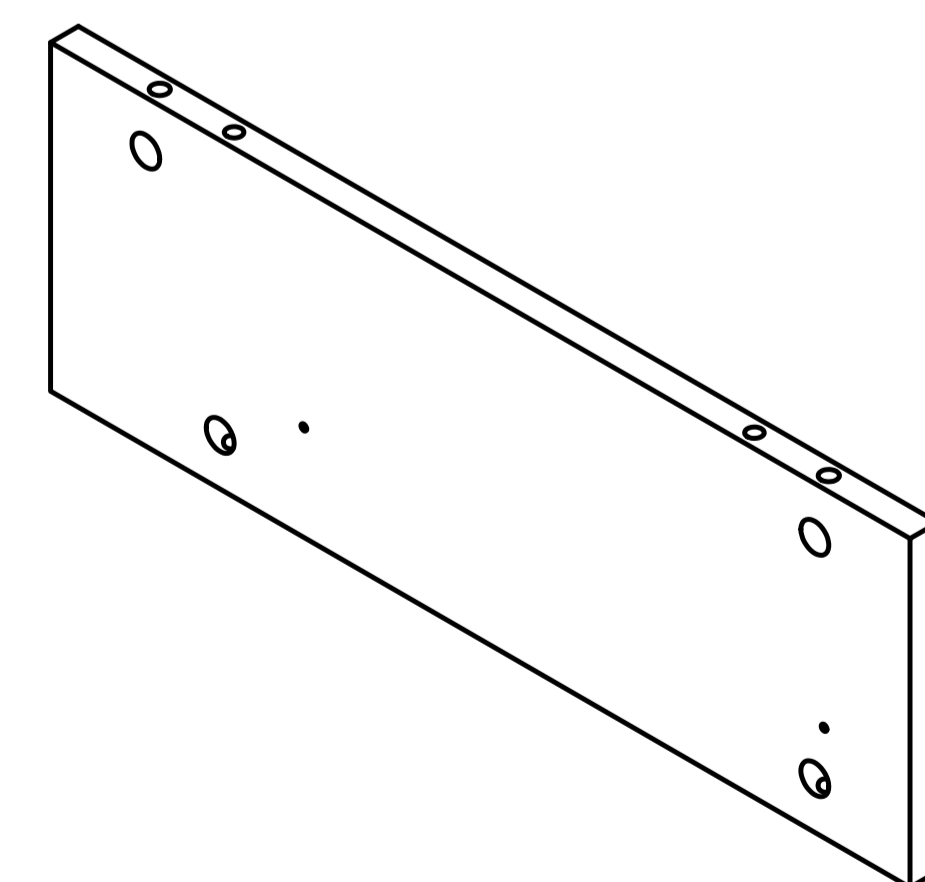
26 x1



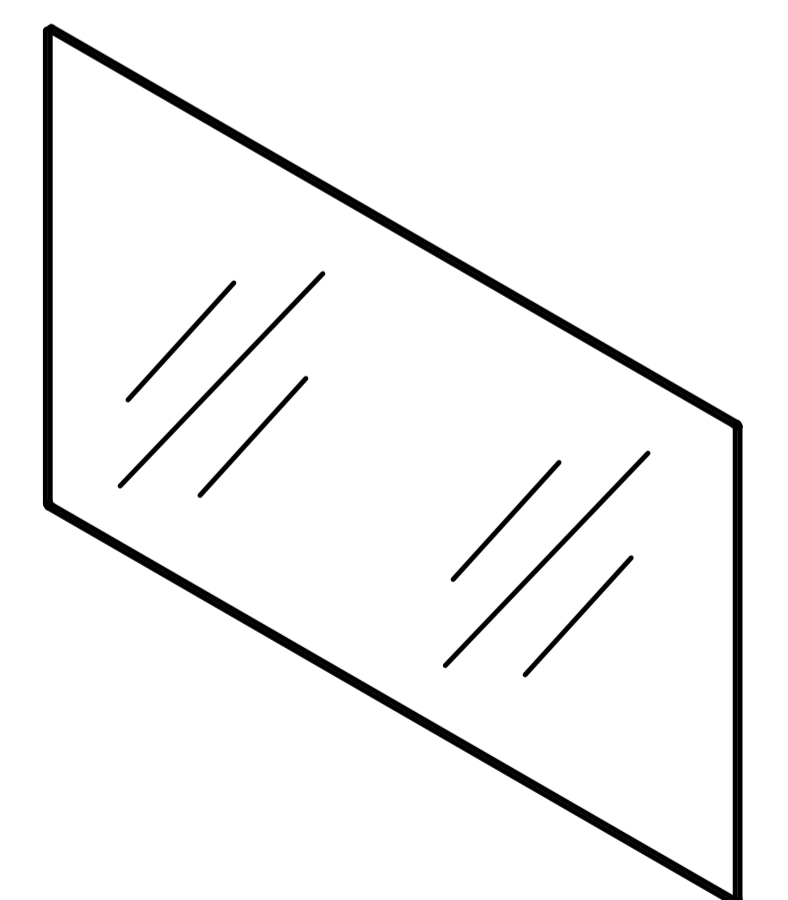
27 x1



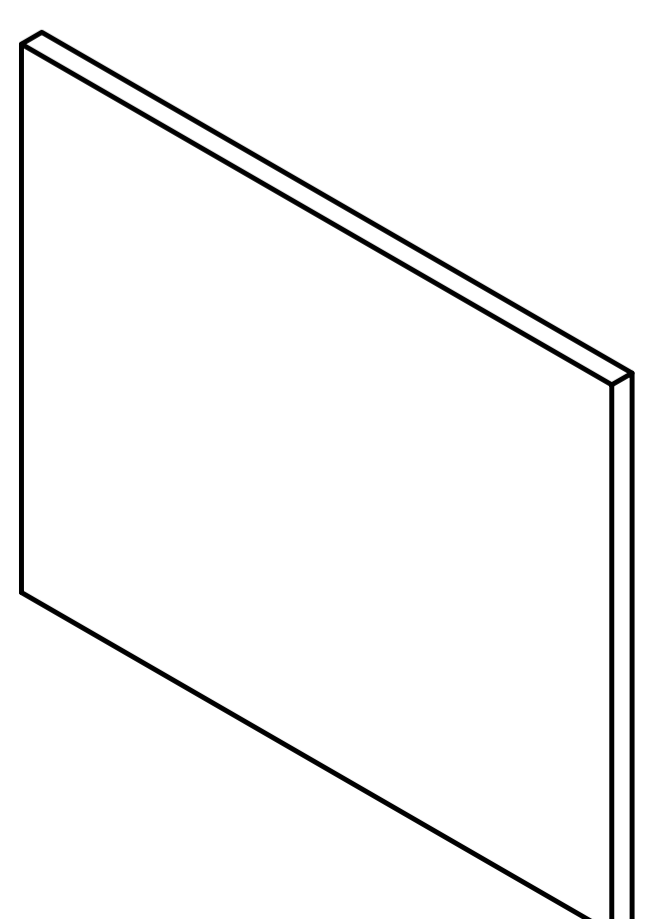
28 x1



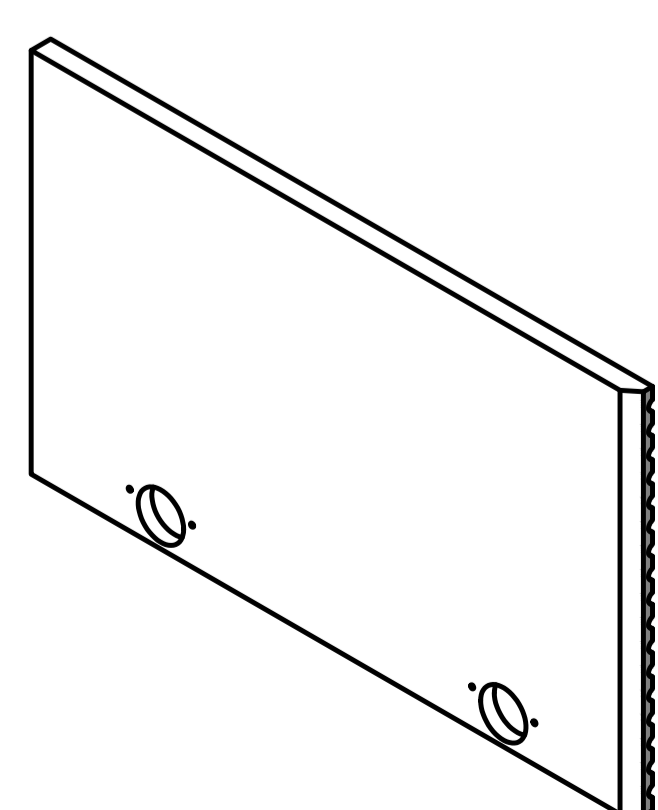
29 x1



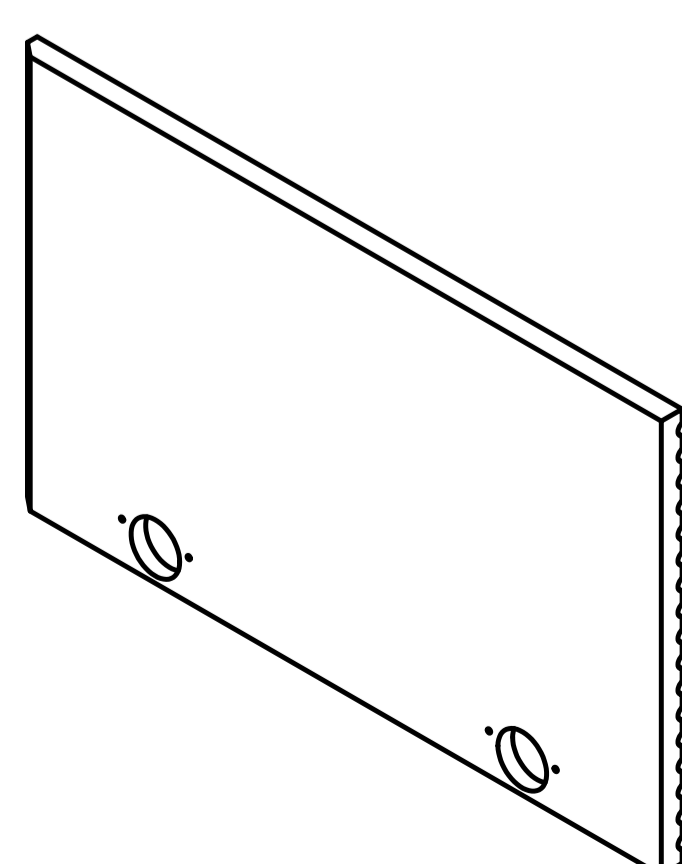
30 x1



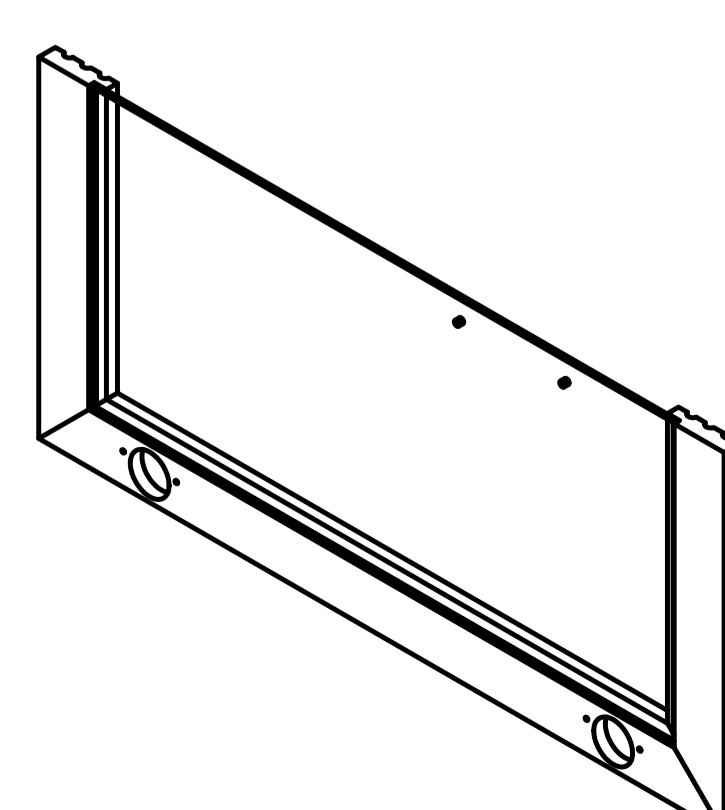
31 x2



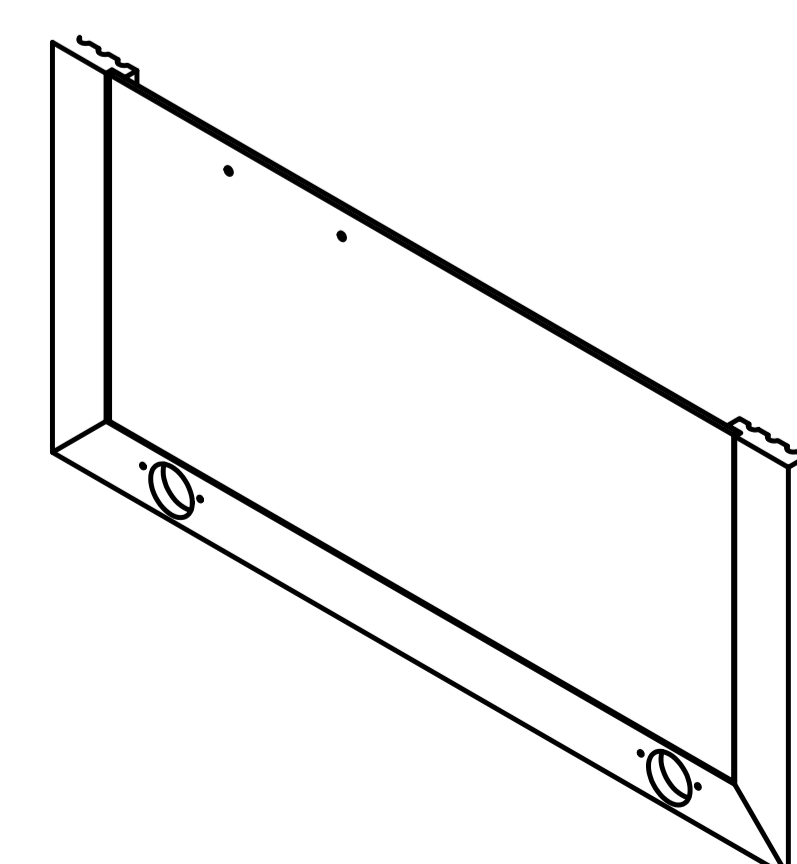
32 x1



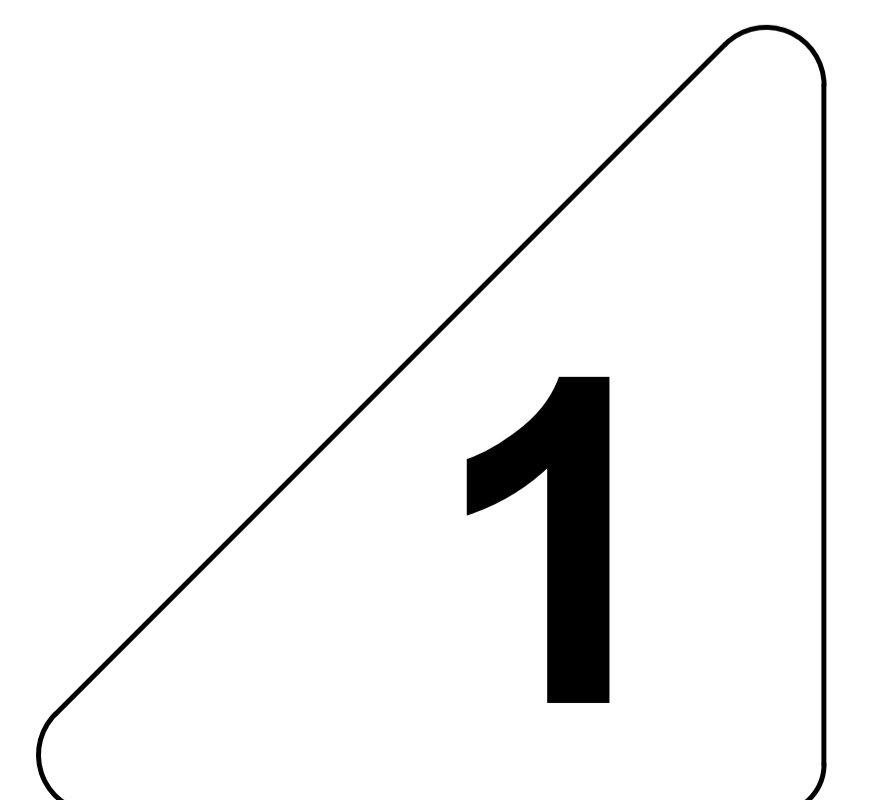
33 x1



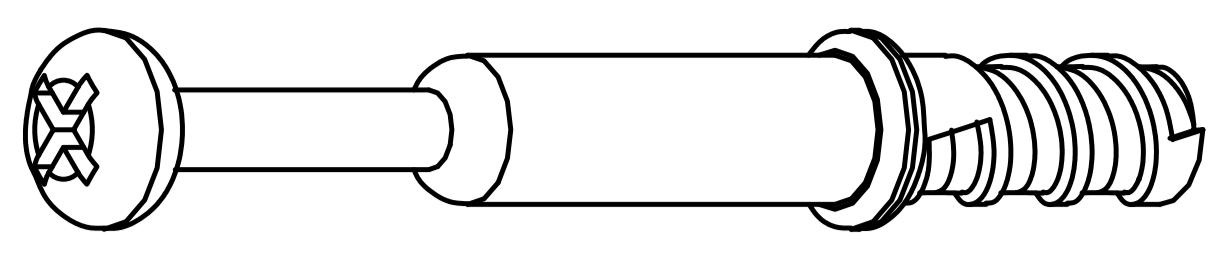
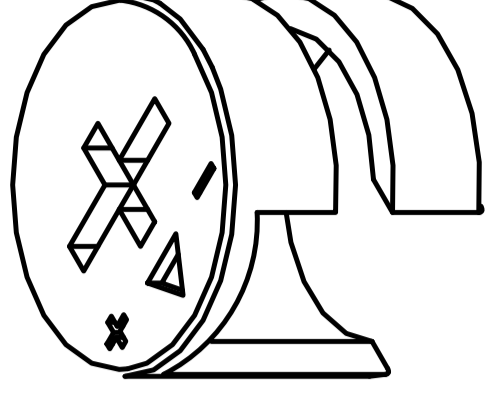
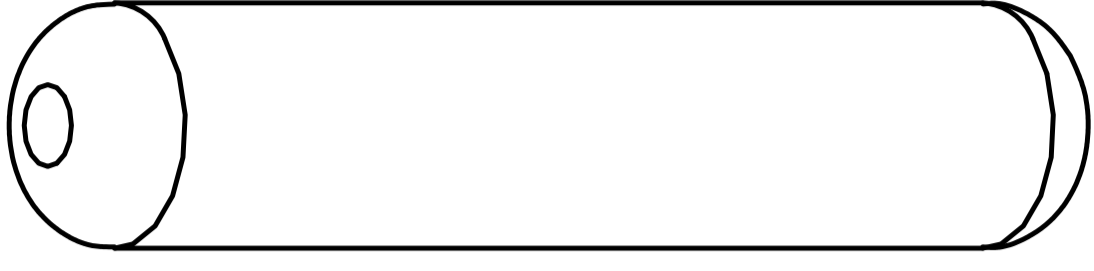
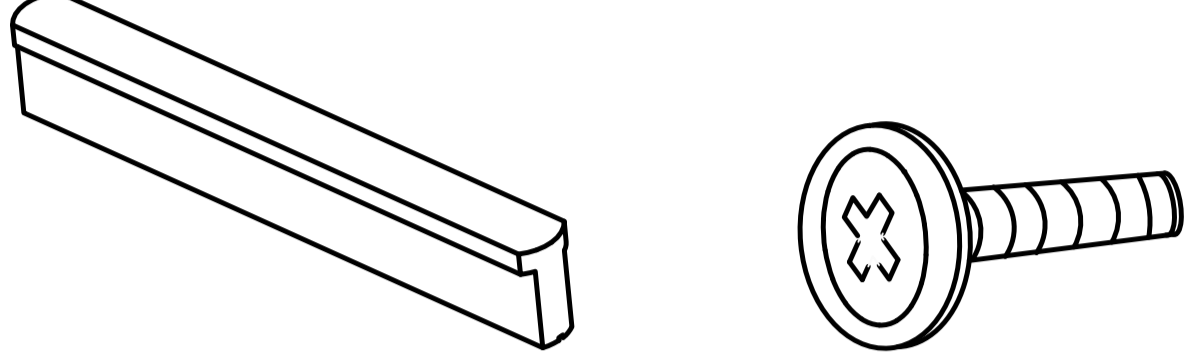
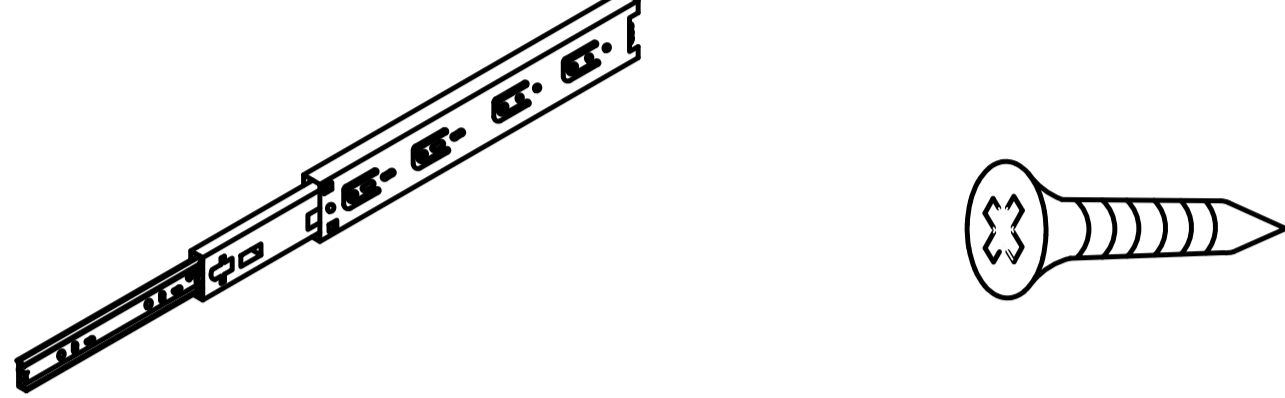
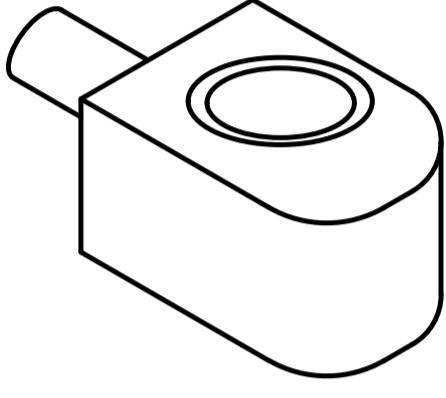
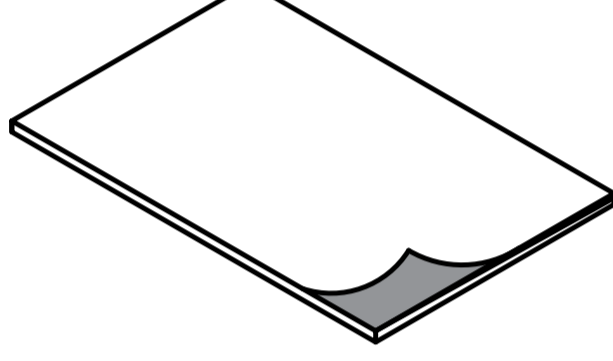
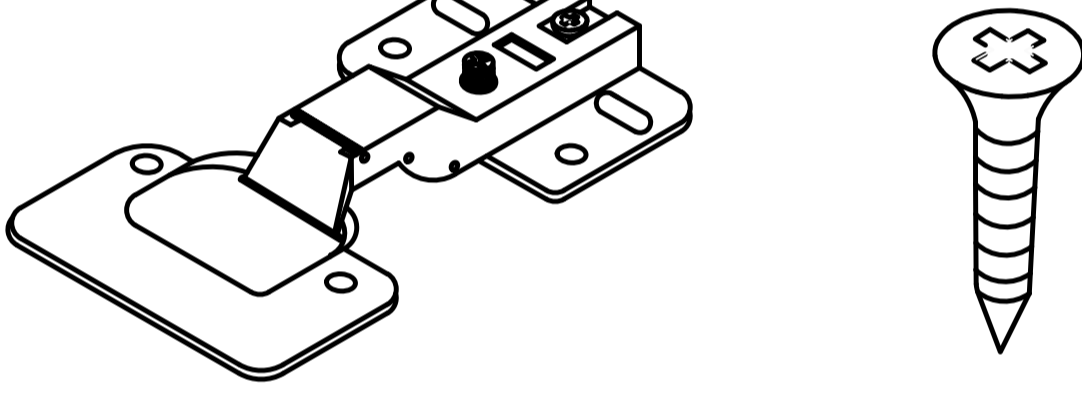
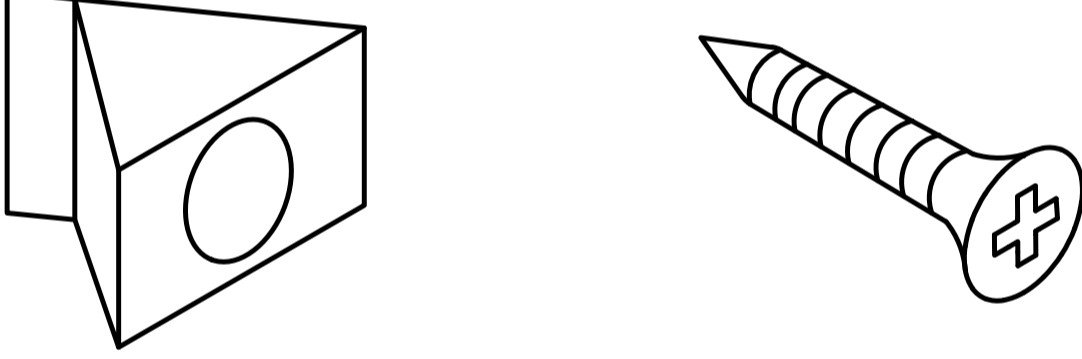
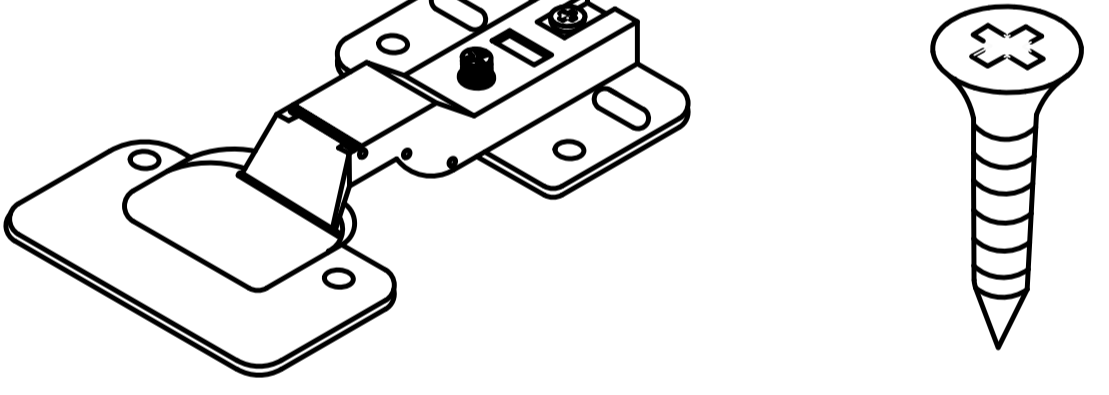
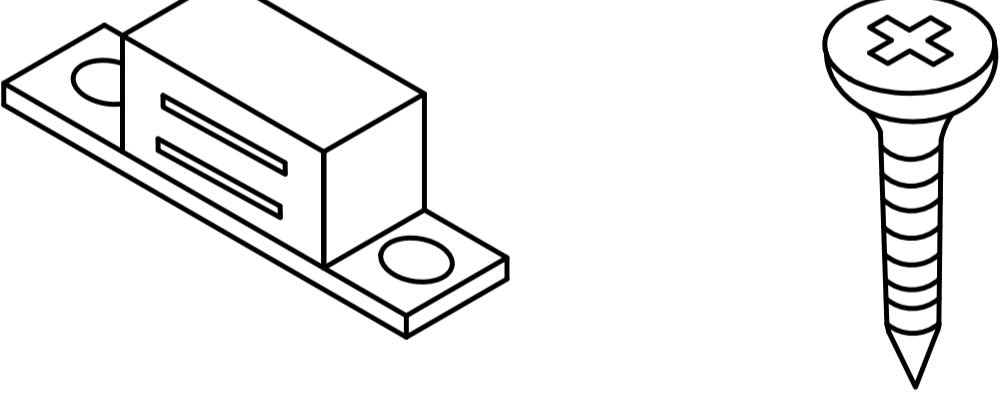
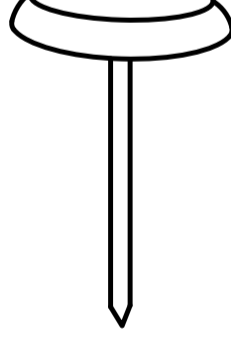
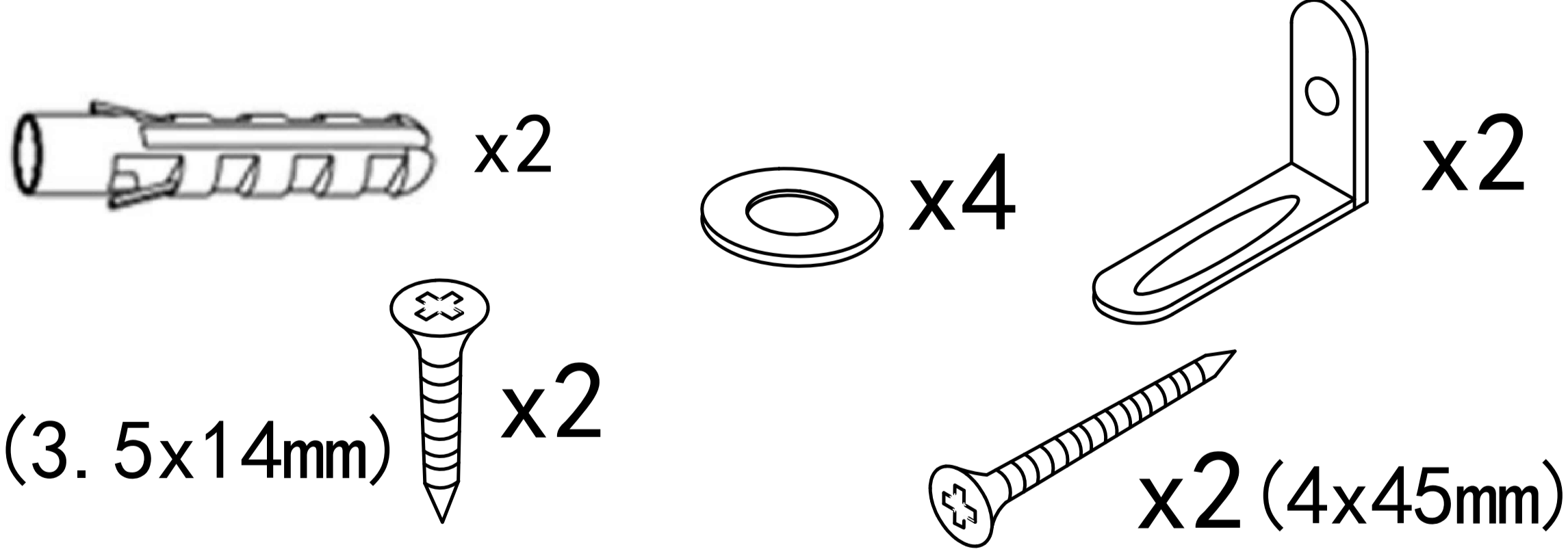
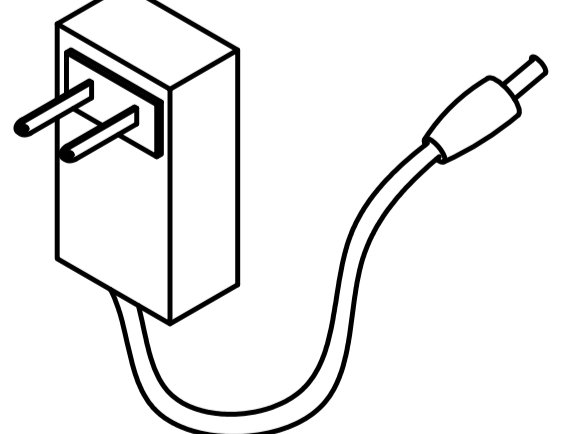
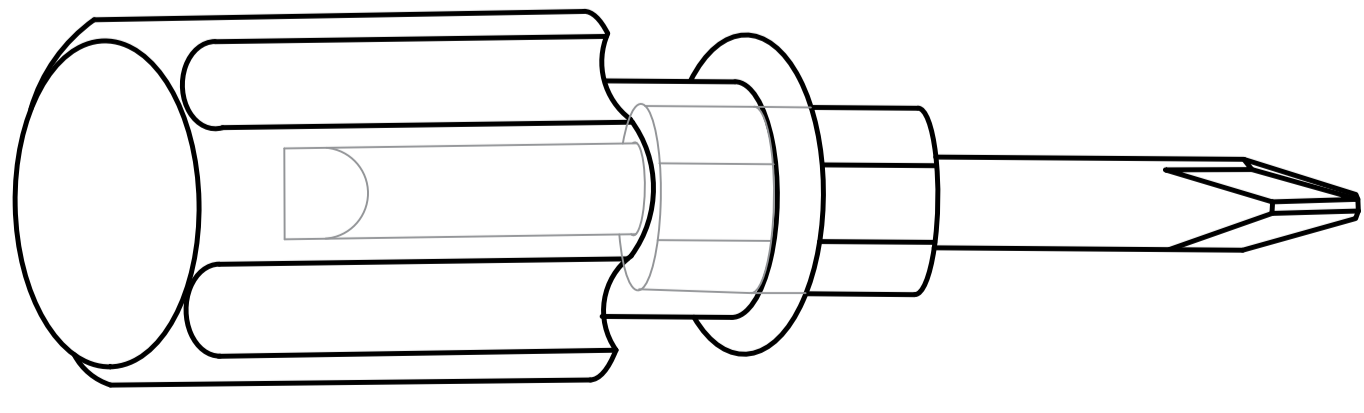
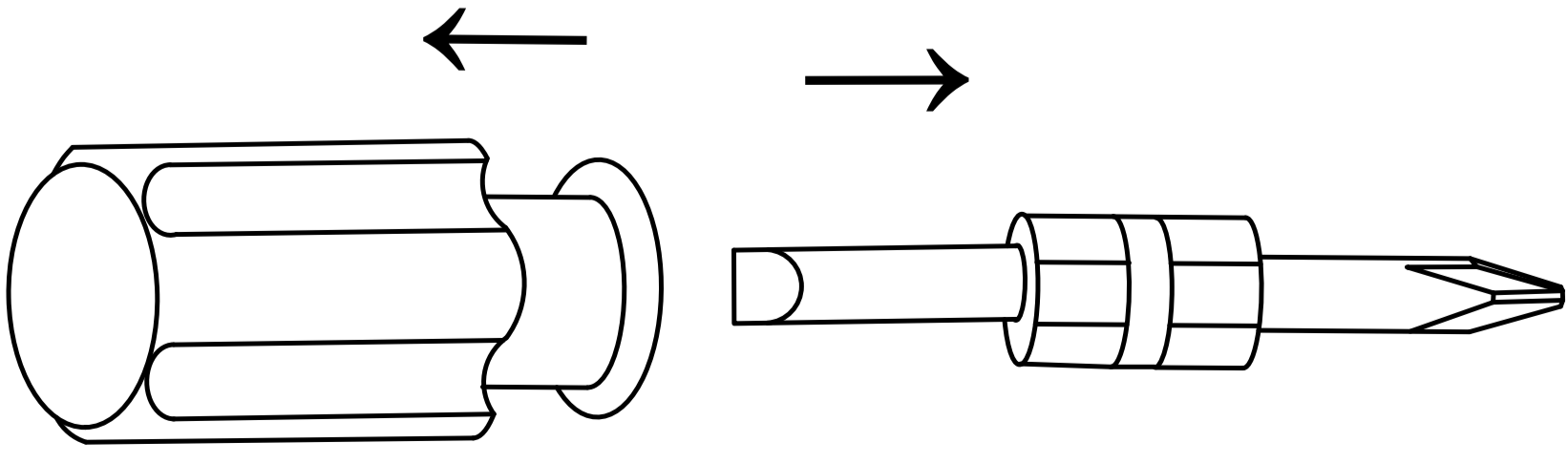

34 x1



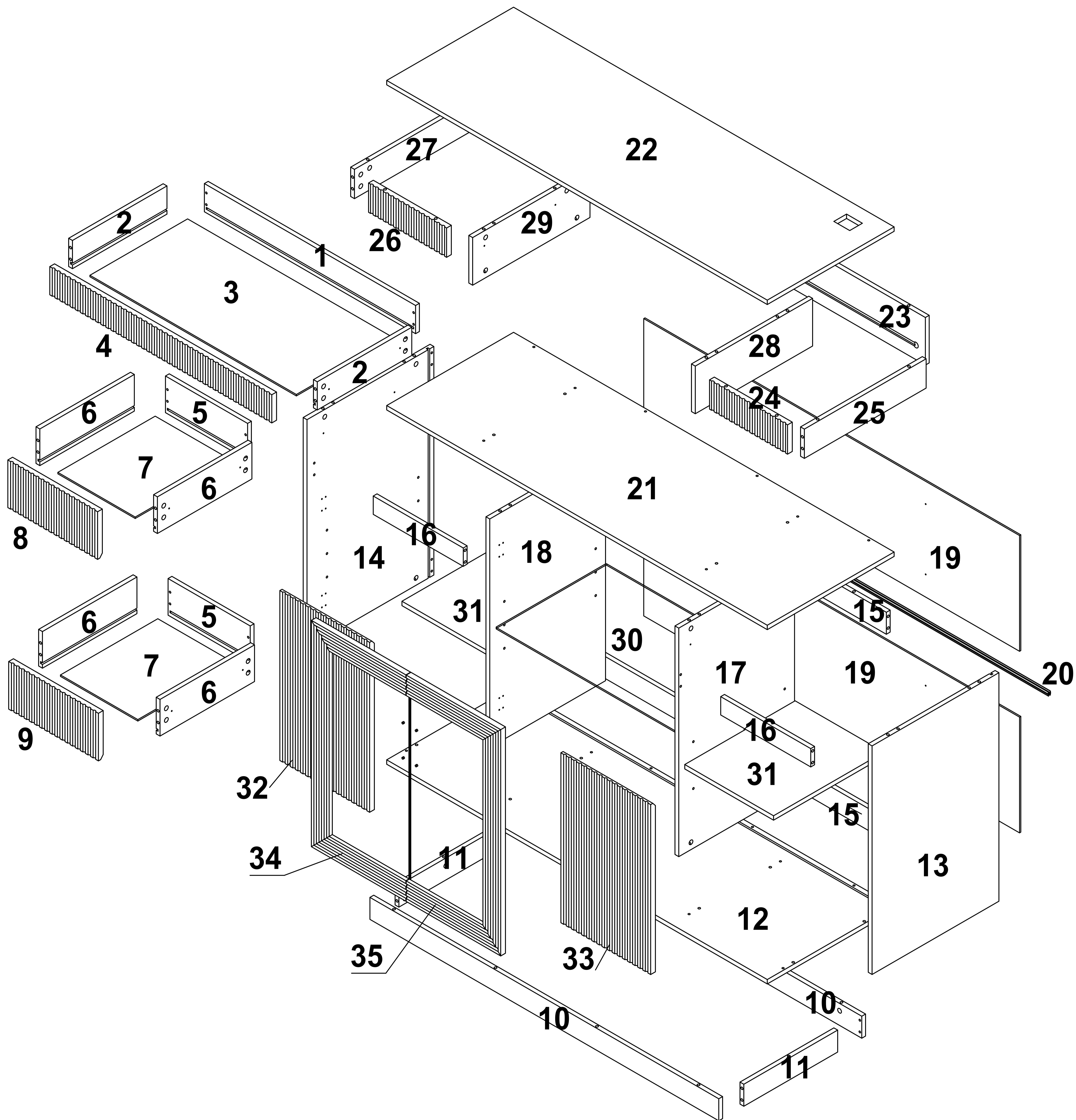
35 x1



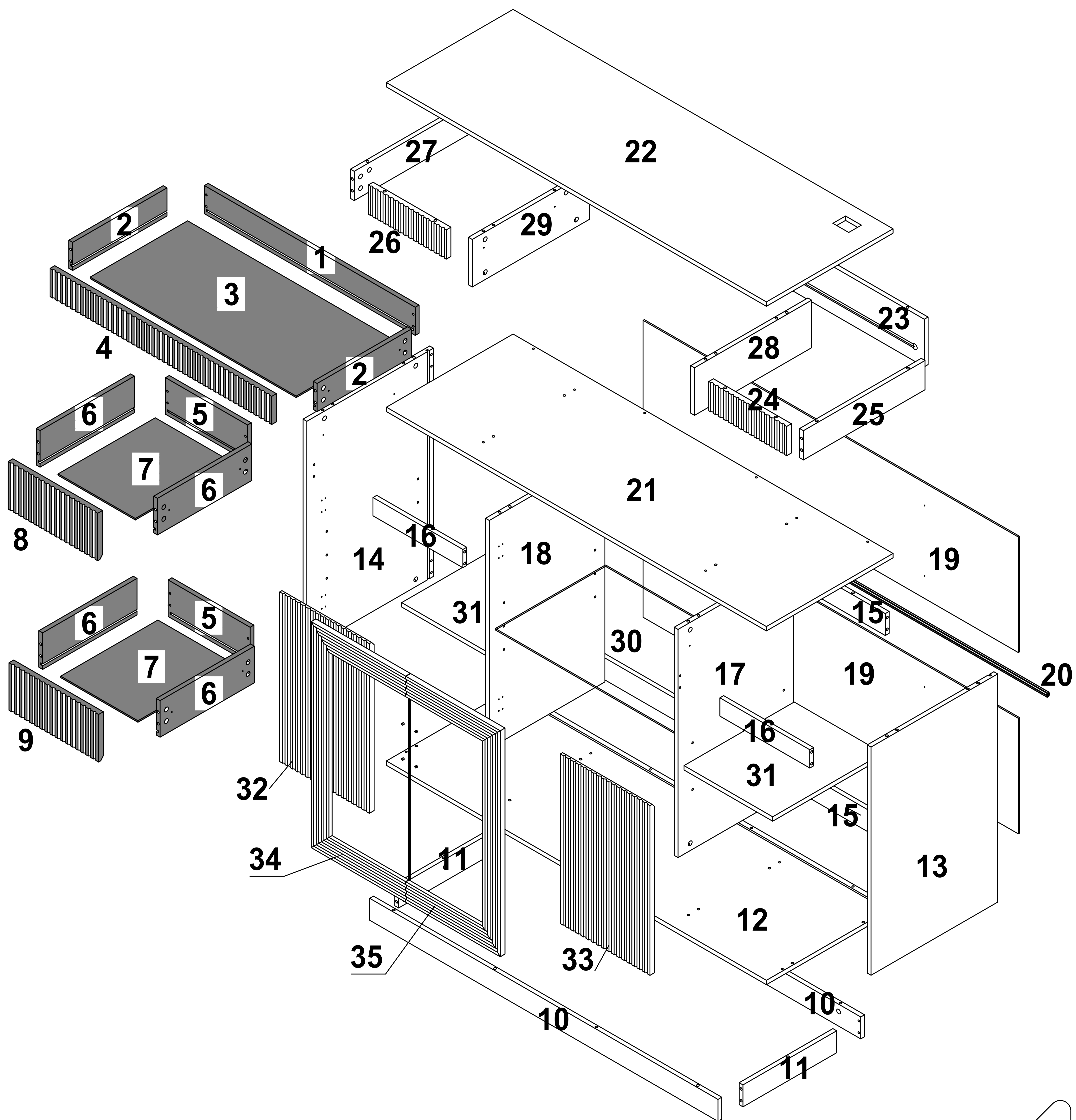
1

A		Two In One Screw (6x28mm)	110pcs +11pcs
B		Two In One Nut (10x12mm)	110pcs +11pcs
C		Wood Chipping (6x30mm)	24pcs +2pcs
D		Handle & Screw (4x8mm)	4pcs +1pcs 2pcs
E		Screw & Guide (3x12mm)	30pcs +6pcs 6pcs
F		Laminate Support Nail	12pcs +2pcs
G		Non-slip pads (50x10mm)	6pcs +2pcs
H		Hinge & Screw (3.5x12mm)	24pcs +3pcs 4pcs
I		Fixing clip & screw (3x16mm)	8pcs +2pcs
J		Hinge & Screw (3.5x12mm)	24pcs +3pcs 4pcs
K		Door Magnet & Screw (3x14mm)	2pcs +1pcs 1pcs
L		Foot nail	8pcs +2pcs
M		Anti Fall Hardware	1pcs
		AC/DC Adapter (12V=2.0A)	1pcs
	 1pcs	 Double-head screwdriver, use as required	 2

Product structure decomposition

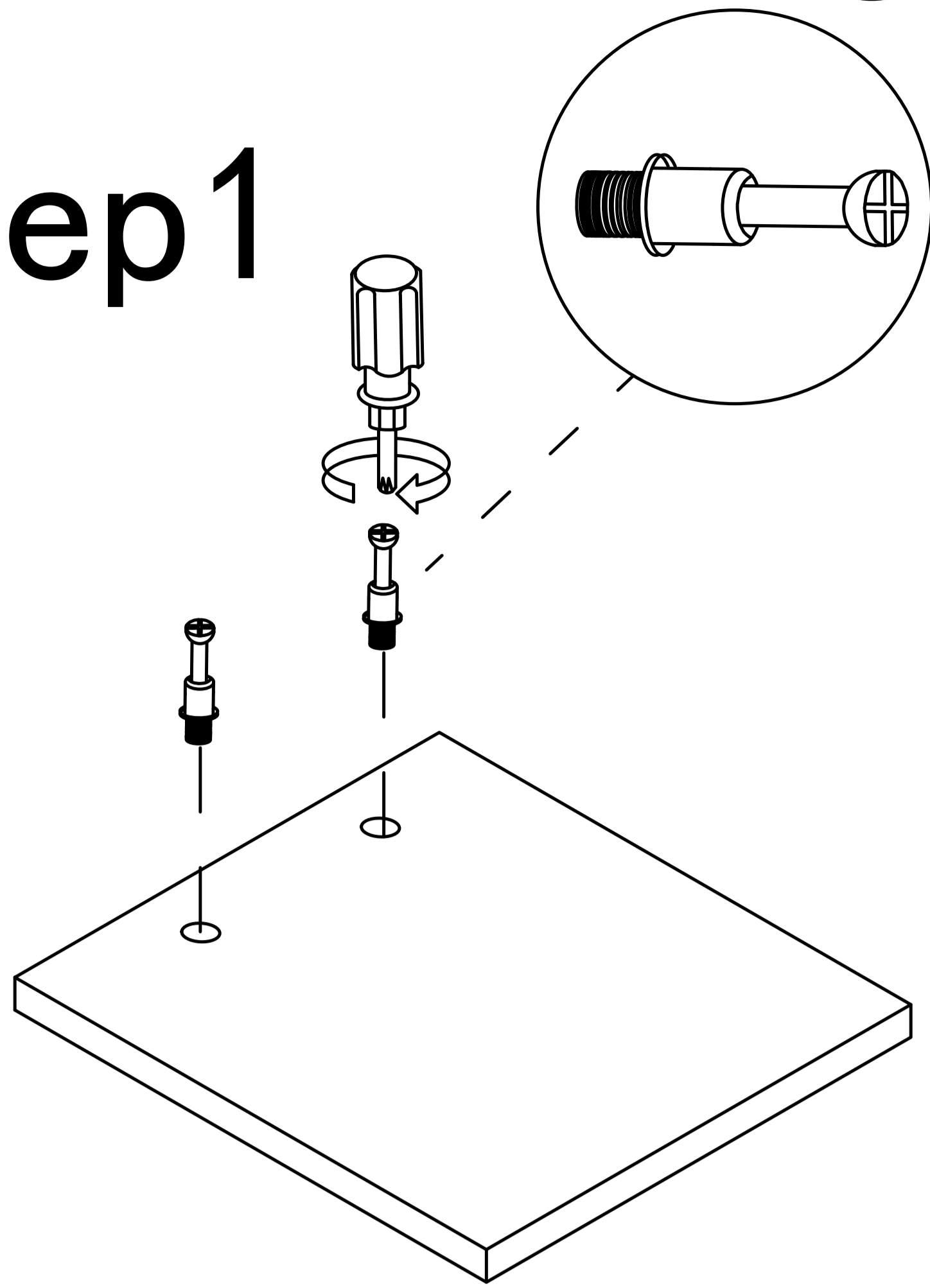


Product structure decomposition

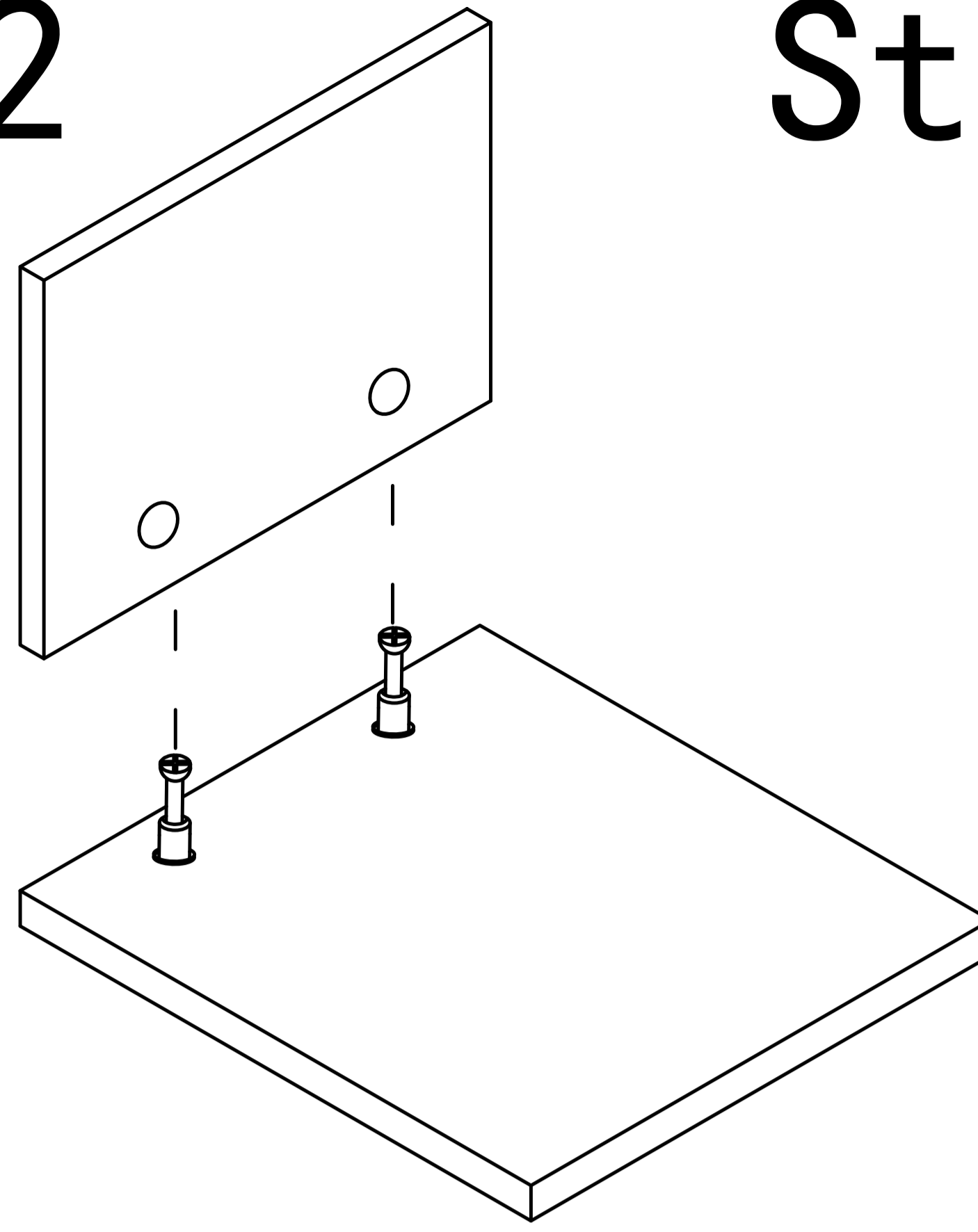


Use parts A and B

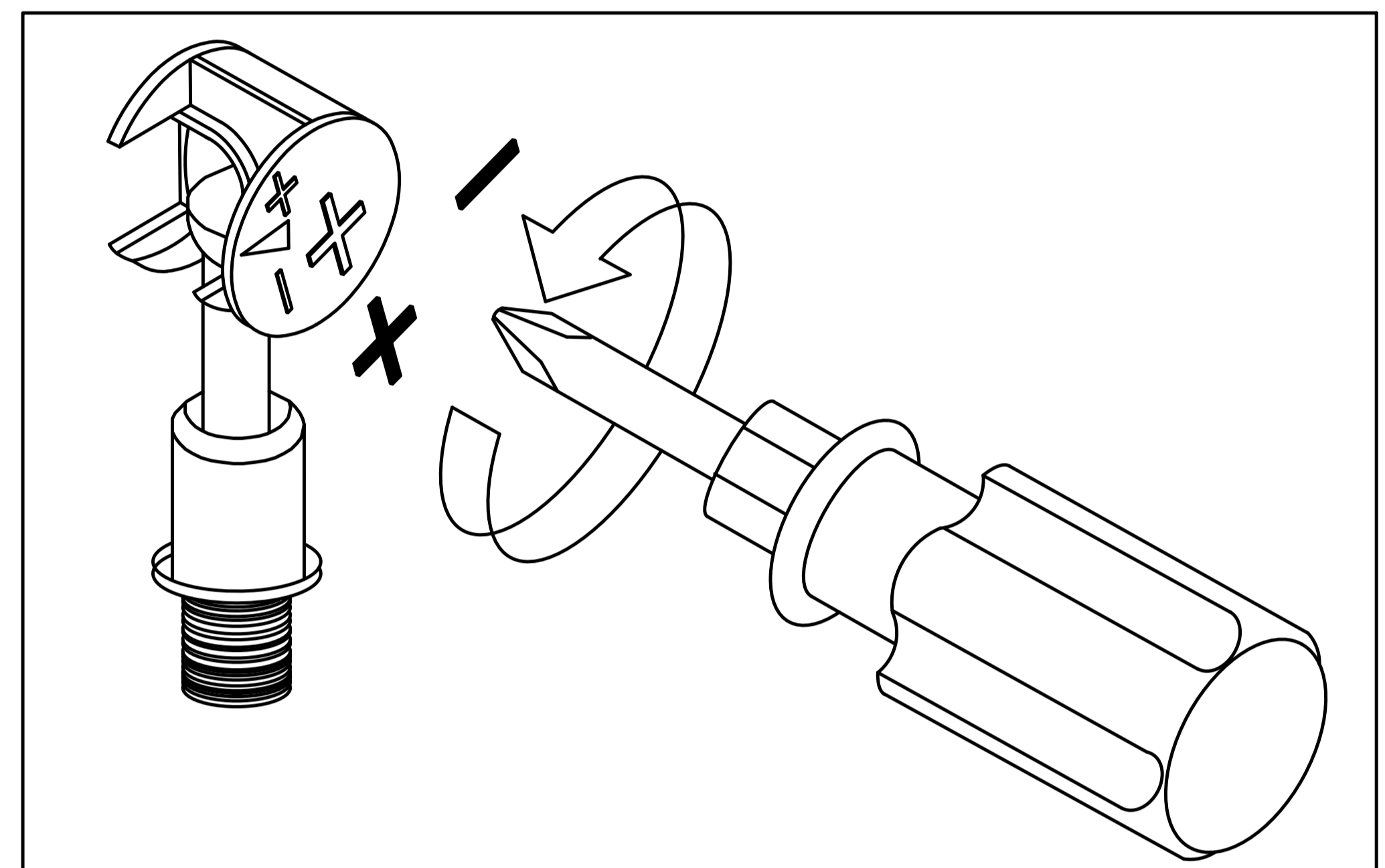
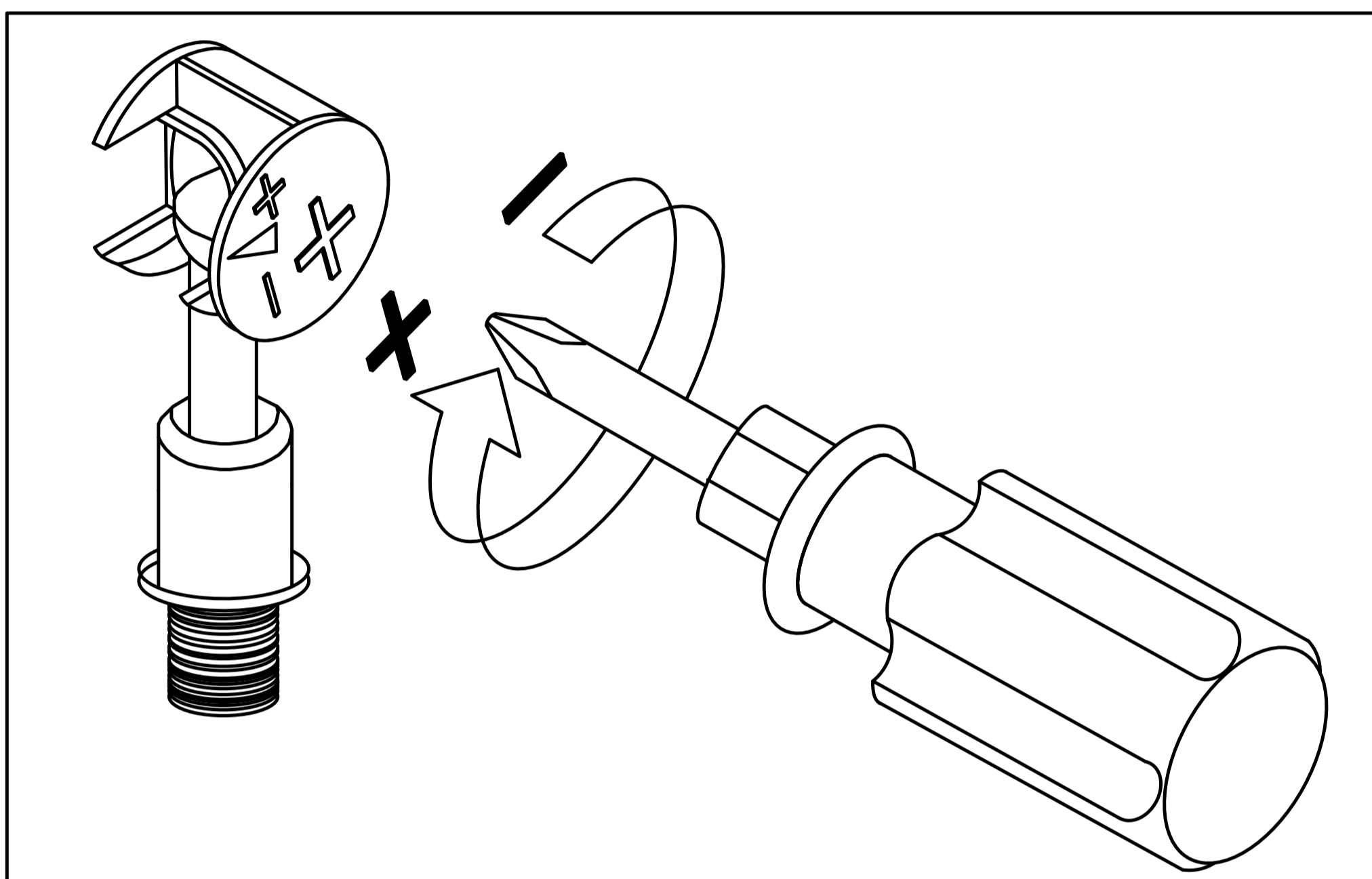
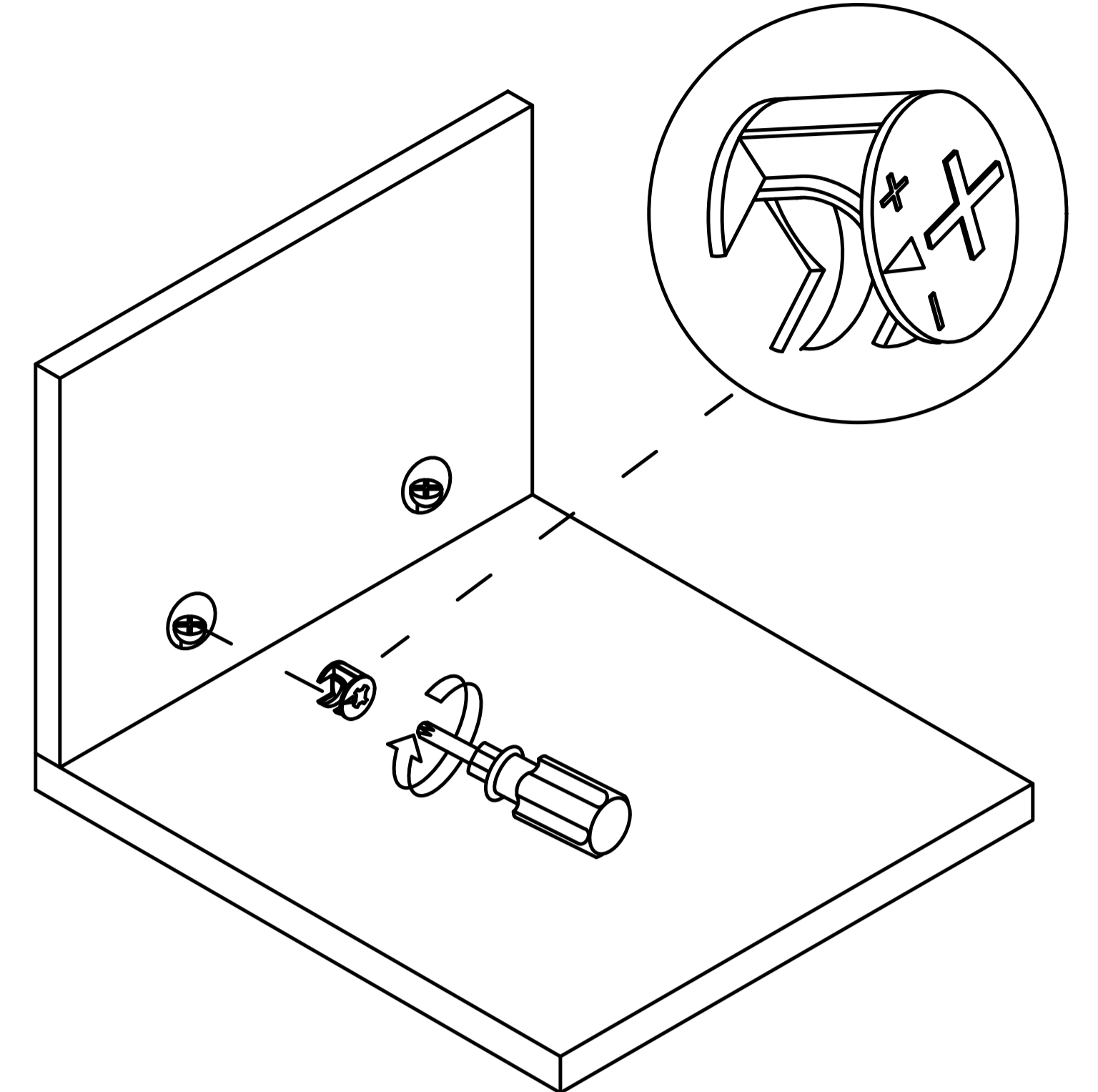
Step 1



Step 2



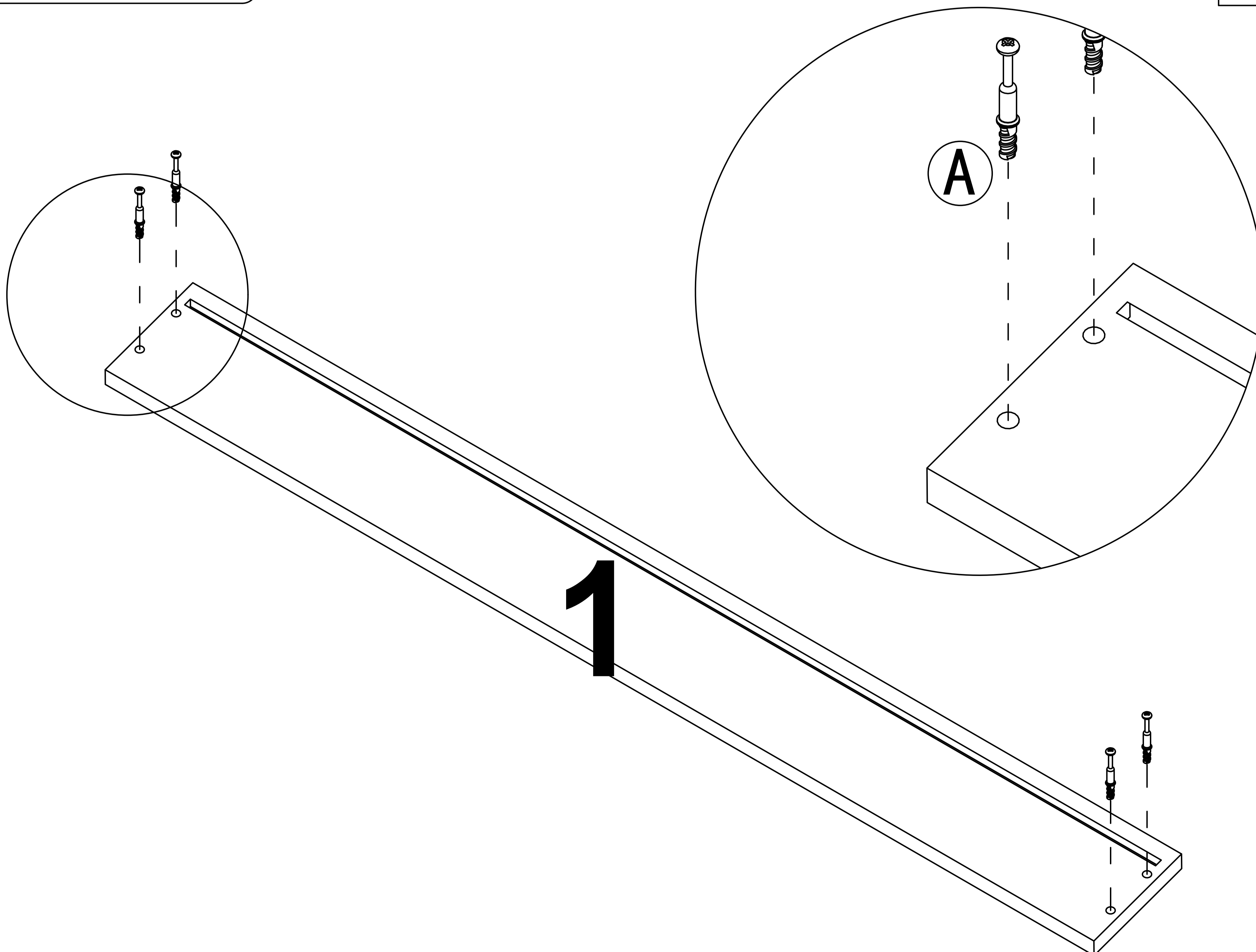
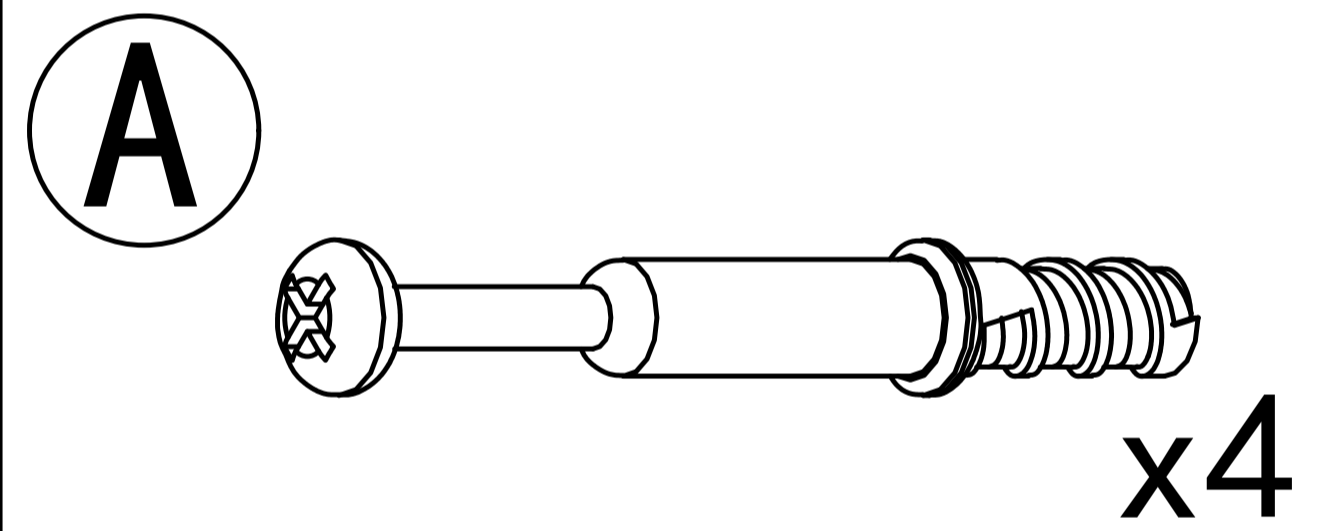
Step 3



Use a screwdriver to lock in the direction of the "+" sign

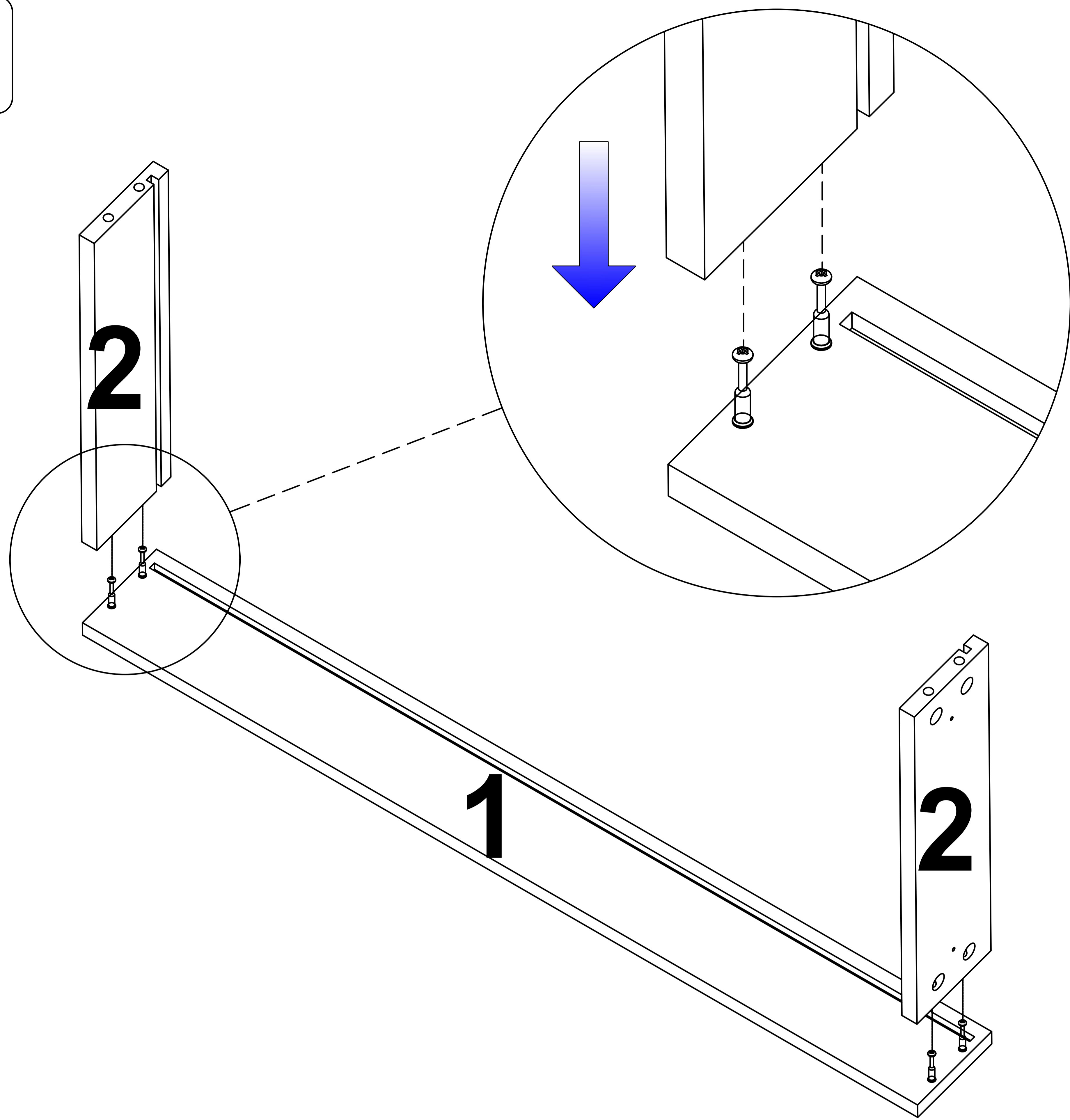
Disassemble along the direction of "-" sign

Step 1

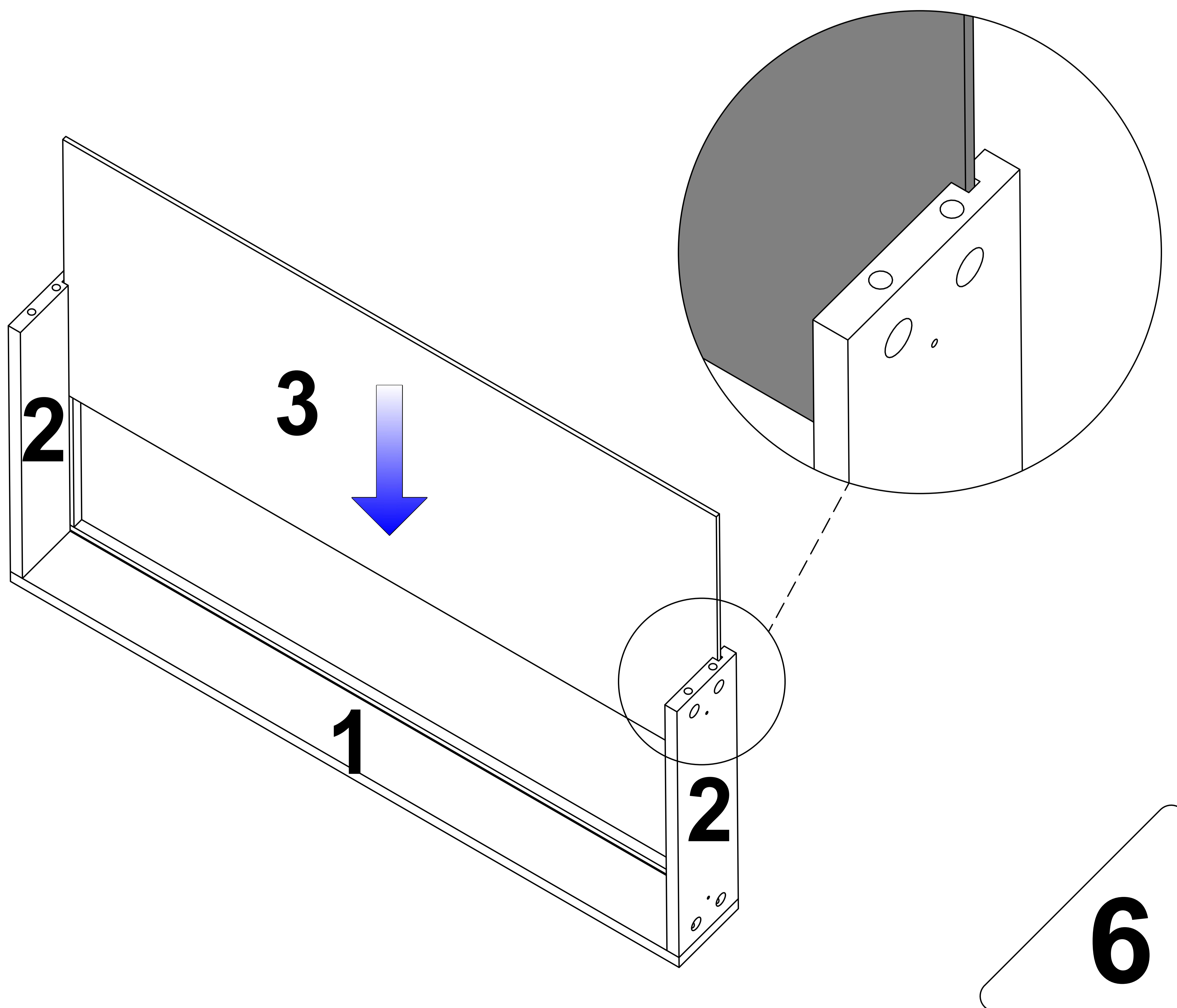


5

Step 2

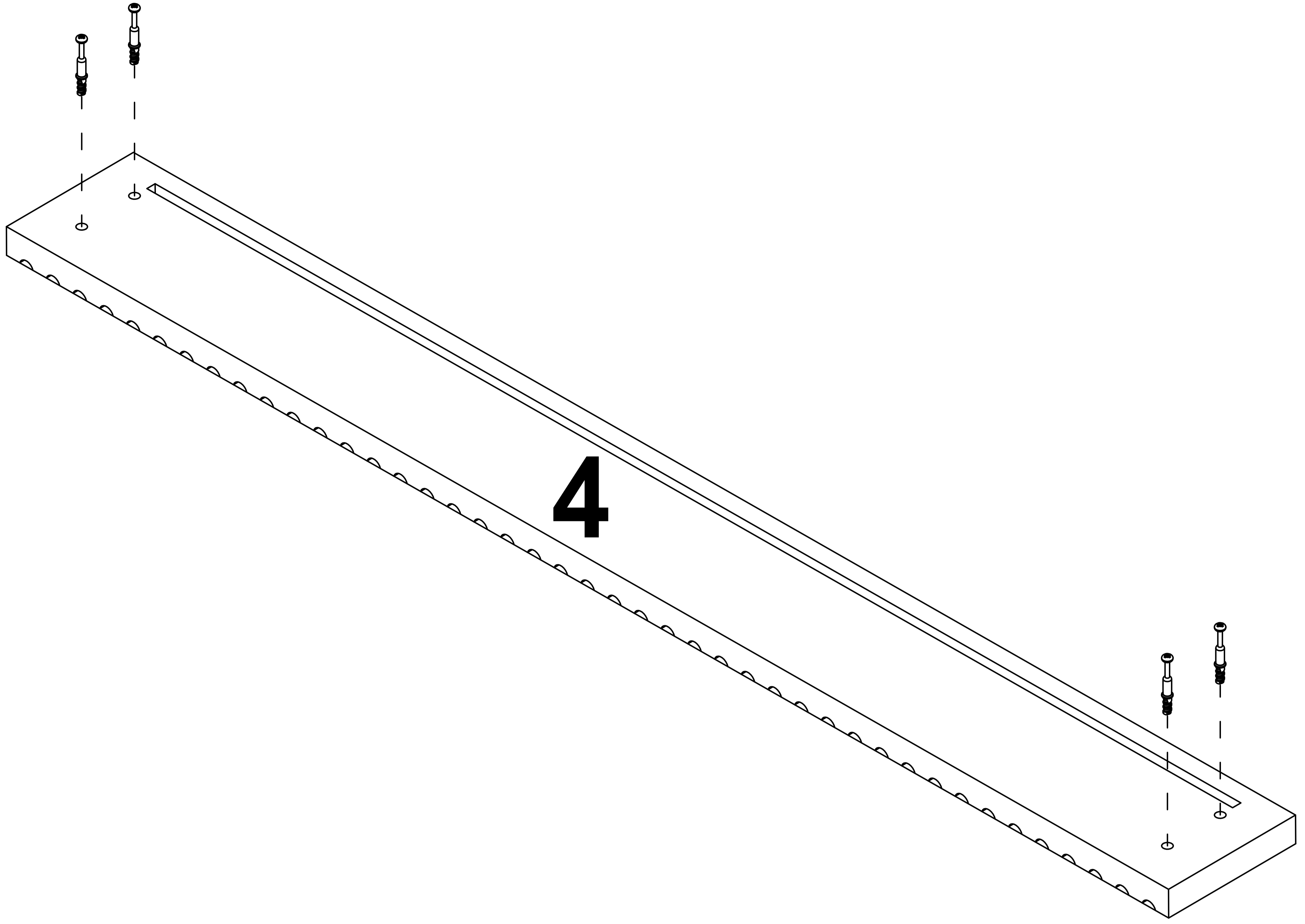
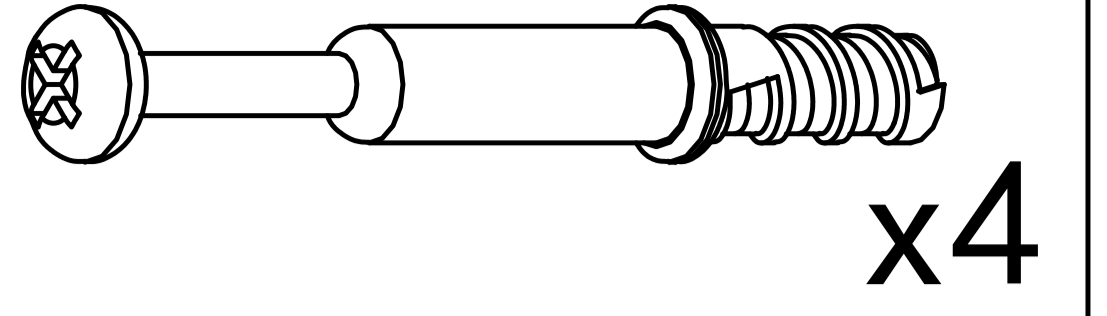


Step 3



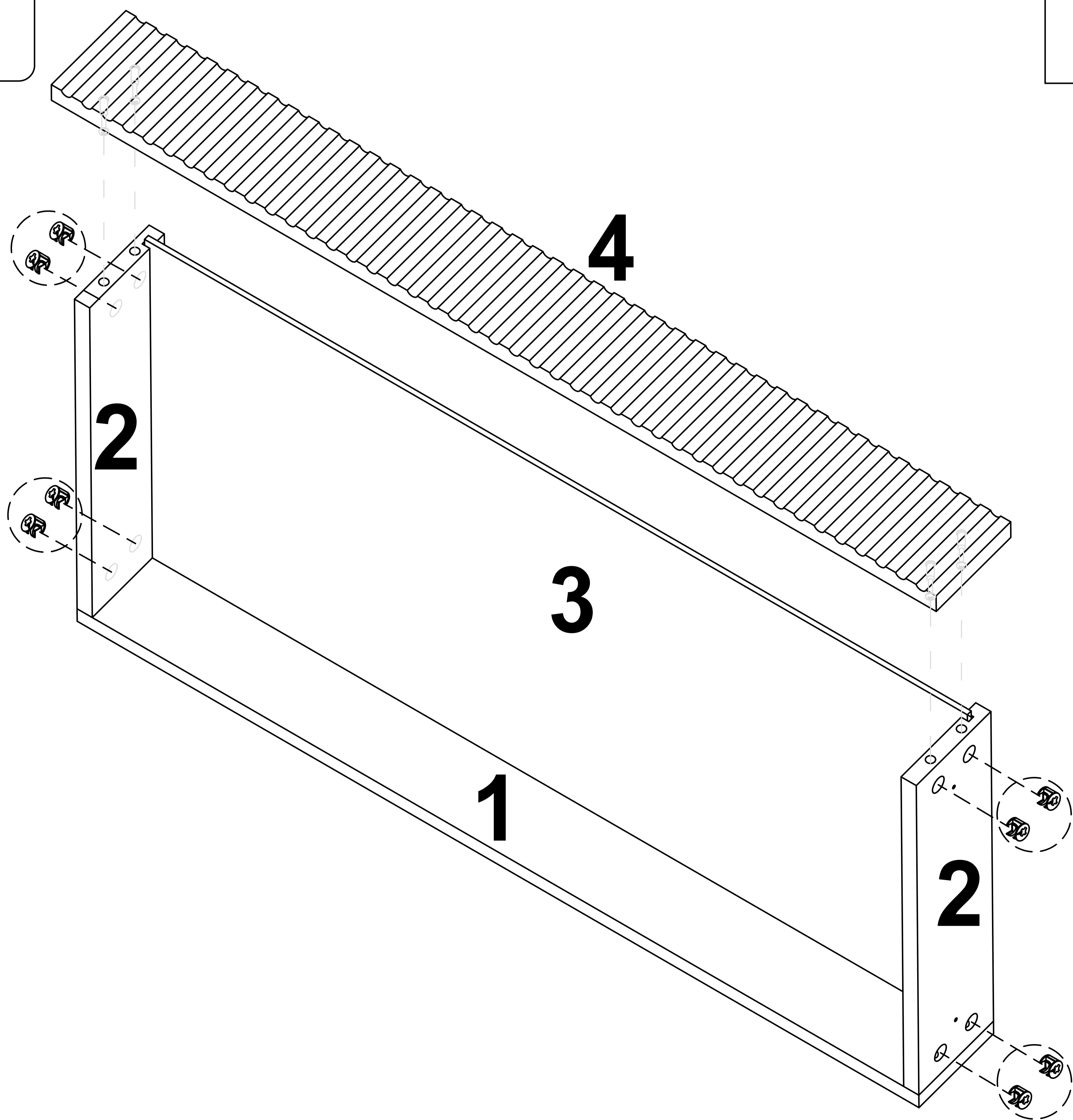
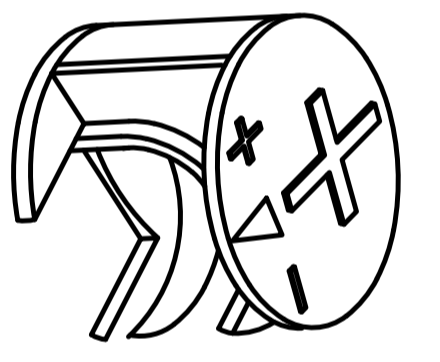
Step 4

A



Step 5

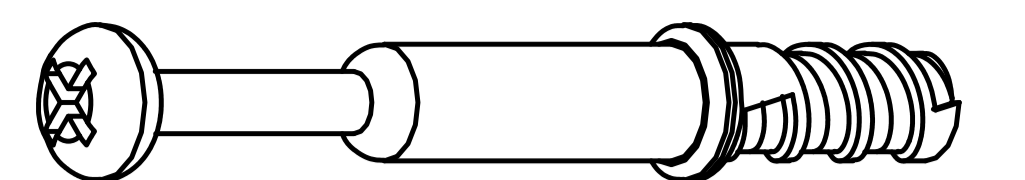
B



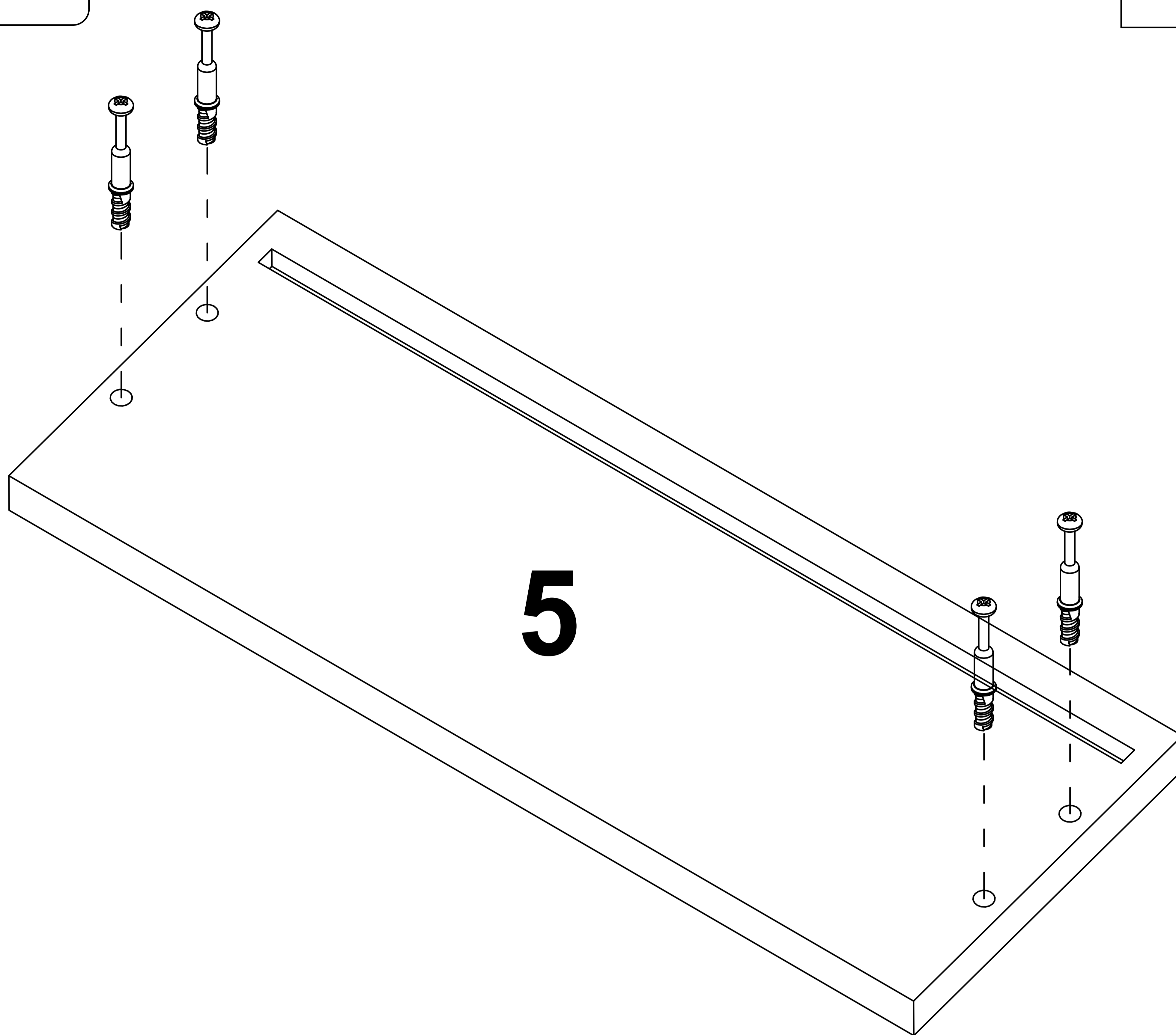
7

Step 6

A

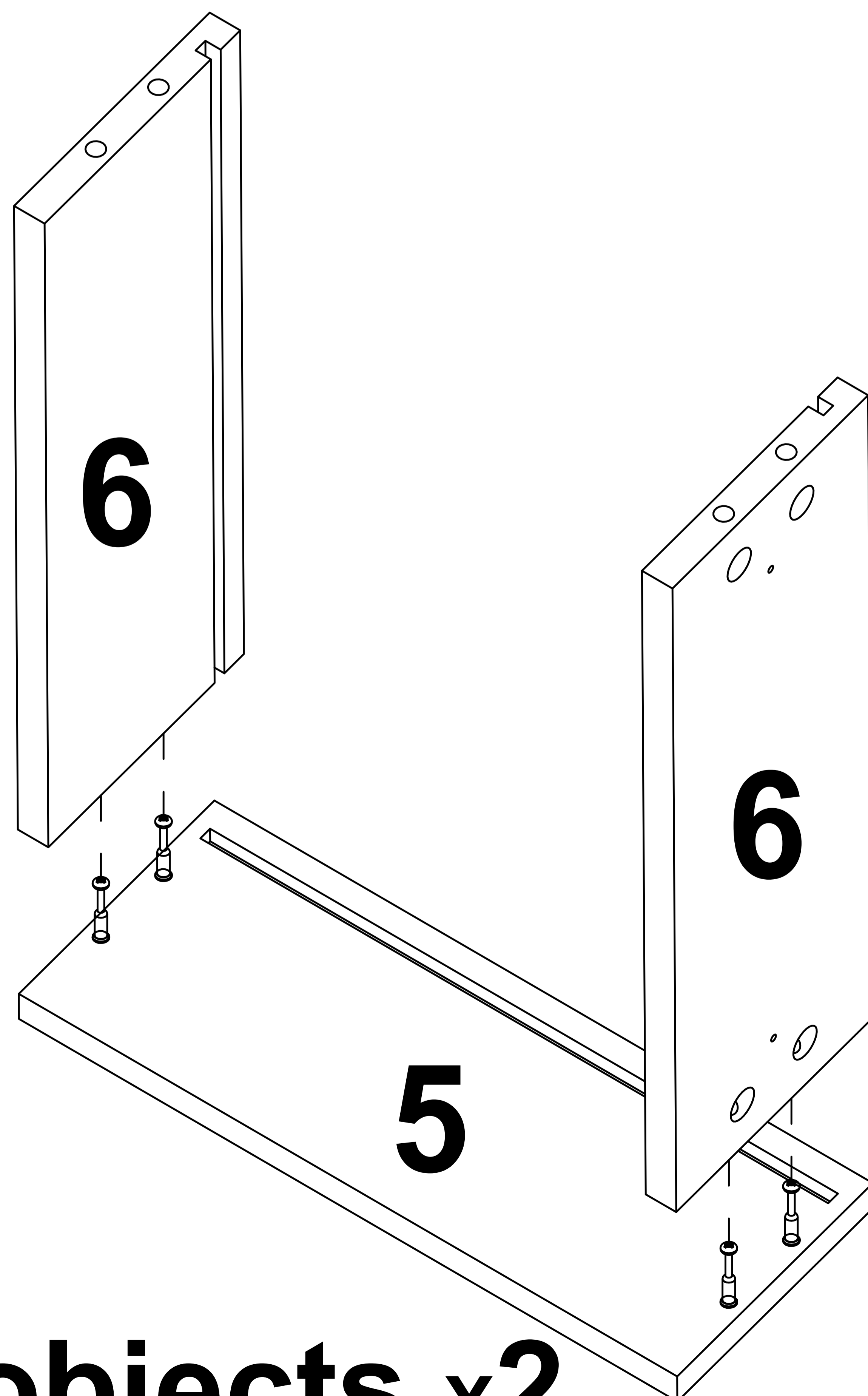


x8



Steps and objects x2

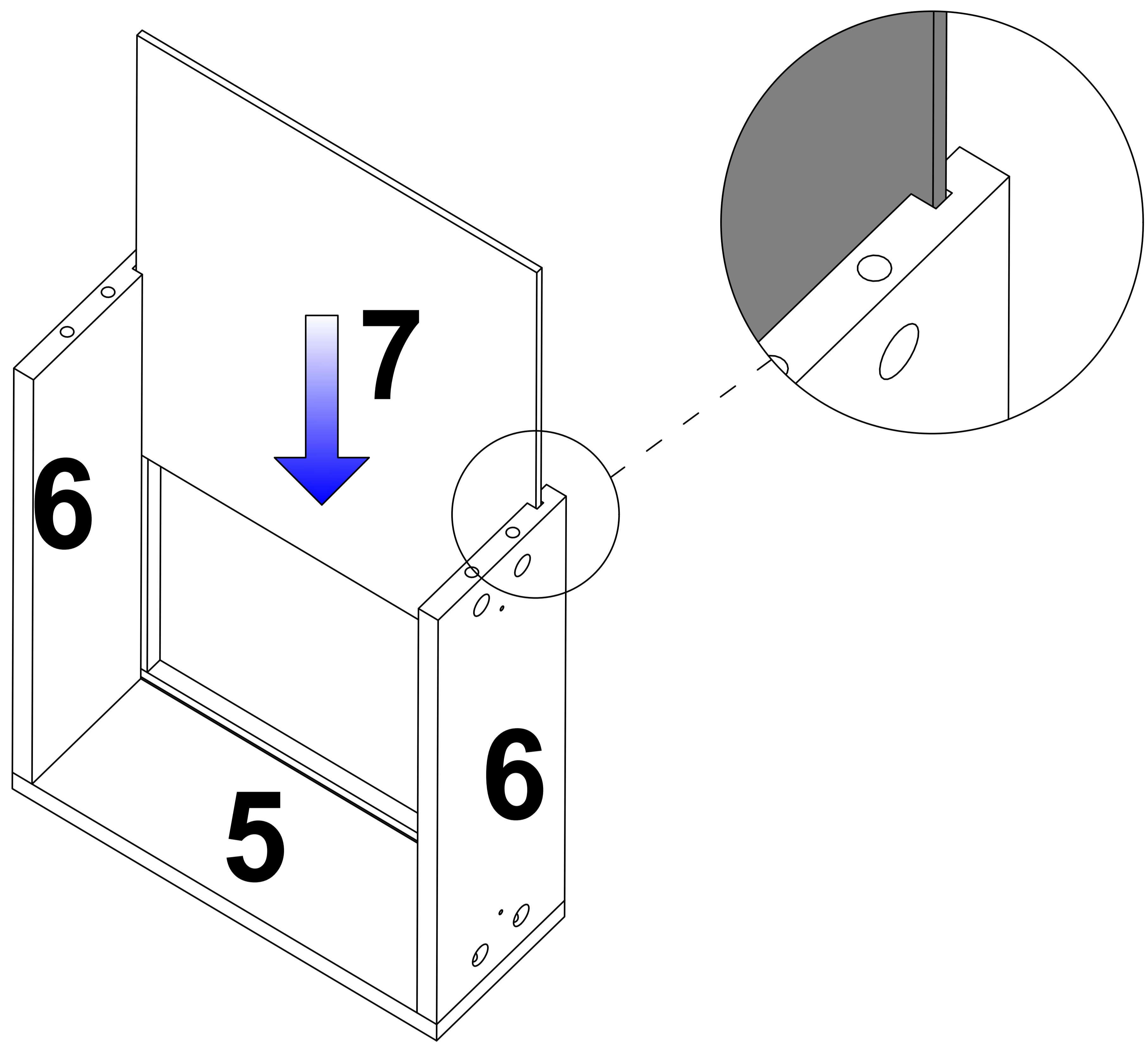
Step 7



Steps and objects x2

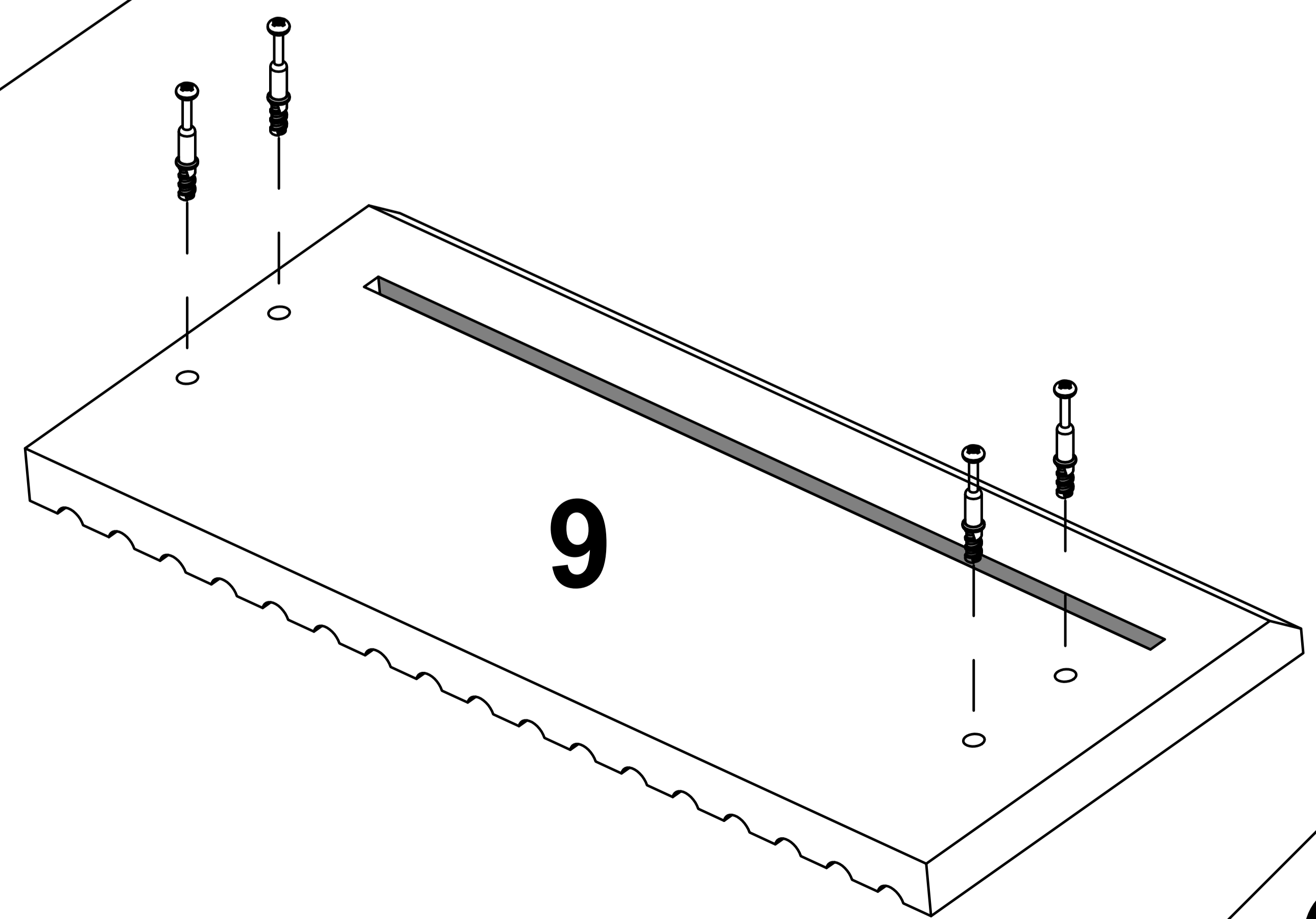
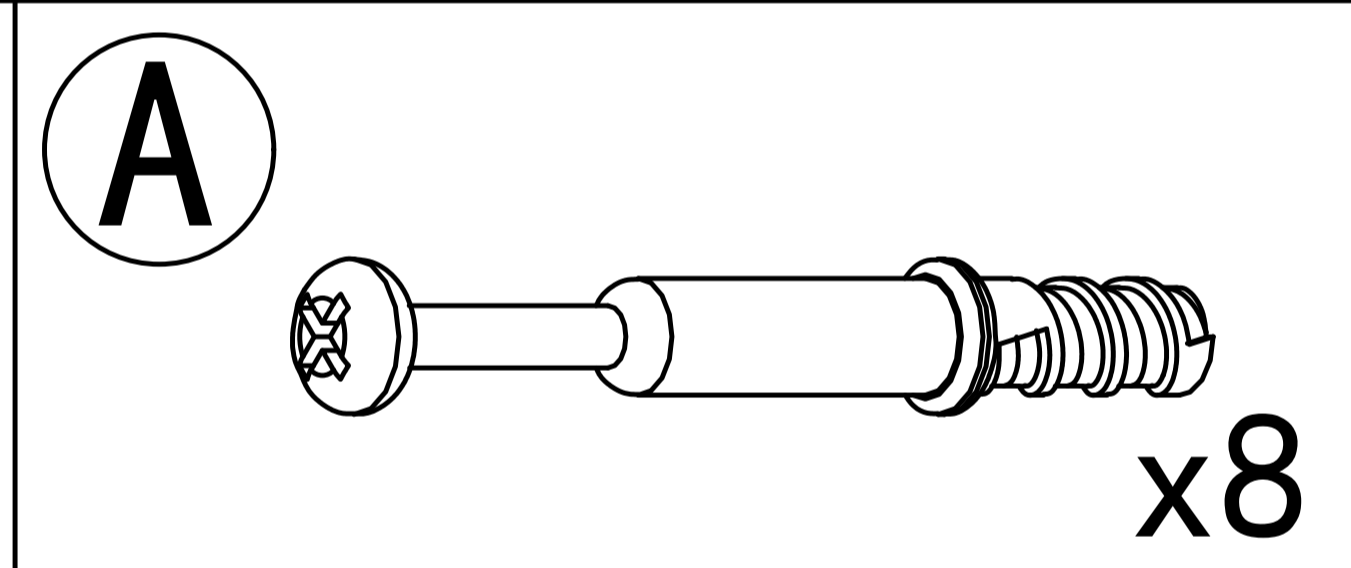
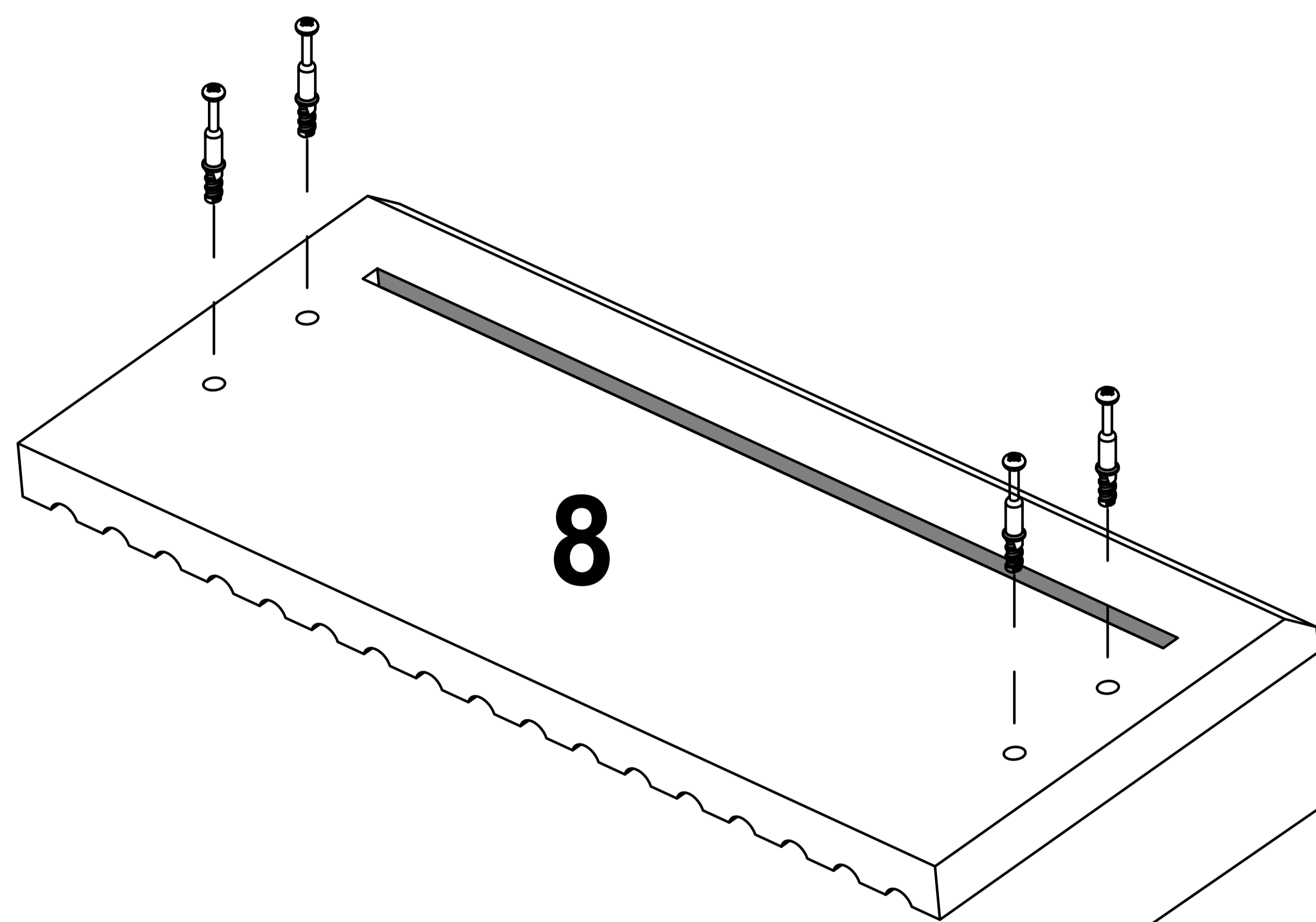
8

Step 8

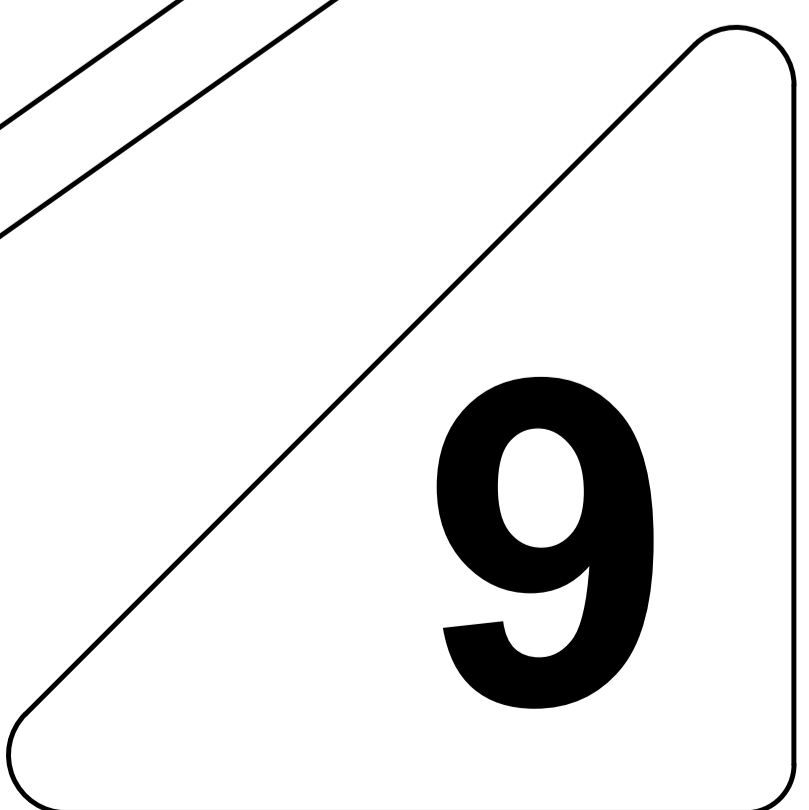


Steps and objects x2

Step 9

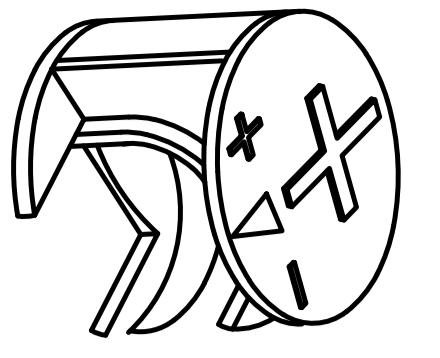


Step 10

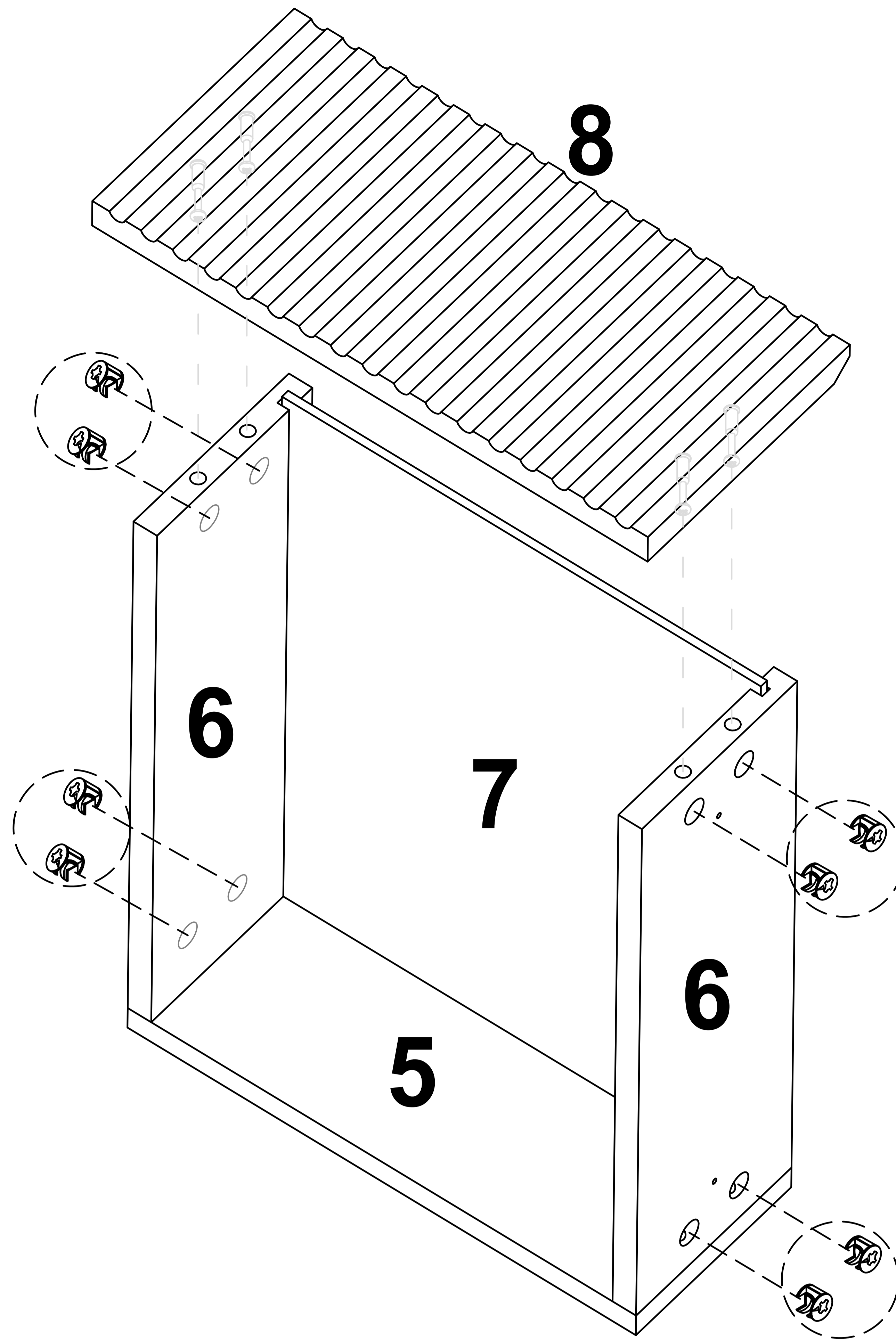


Step 11

B

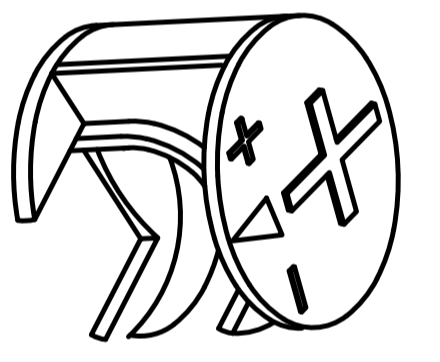


x8

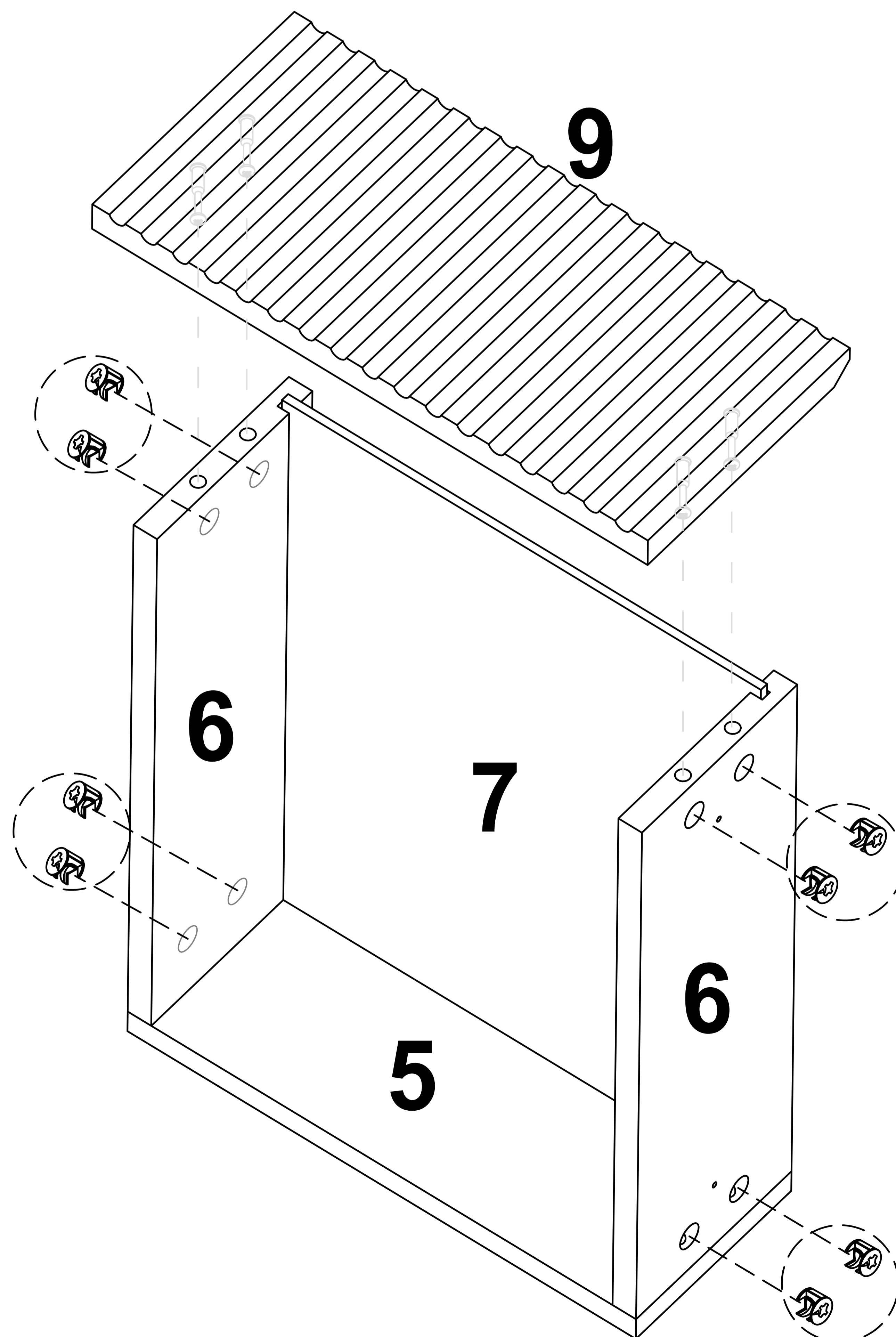


Step 12

B

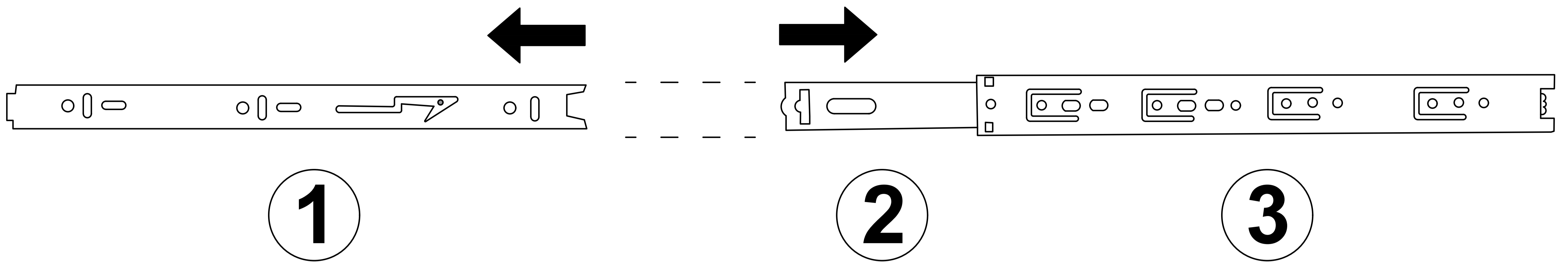


x8



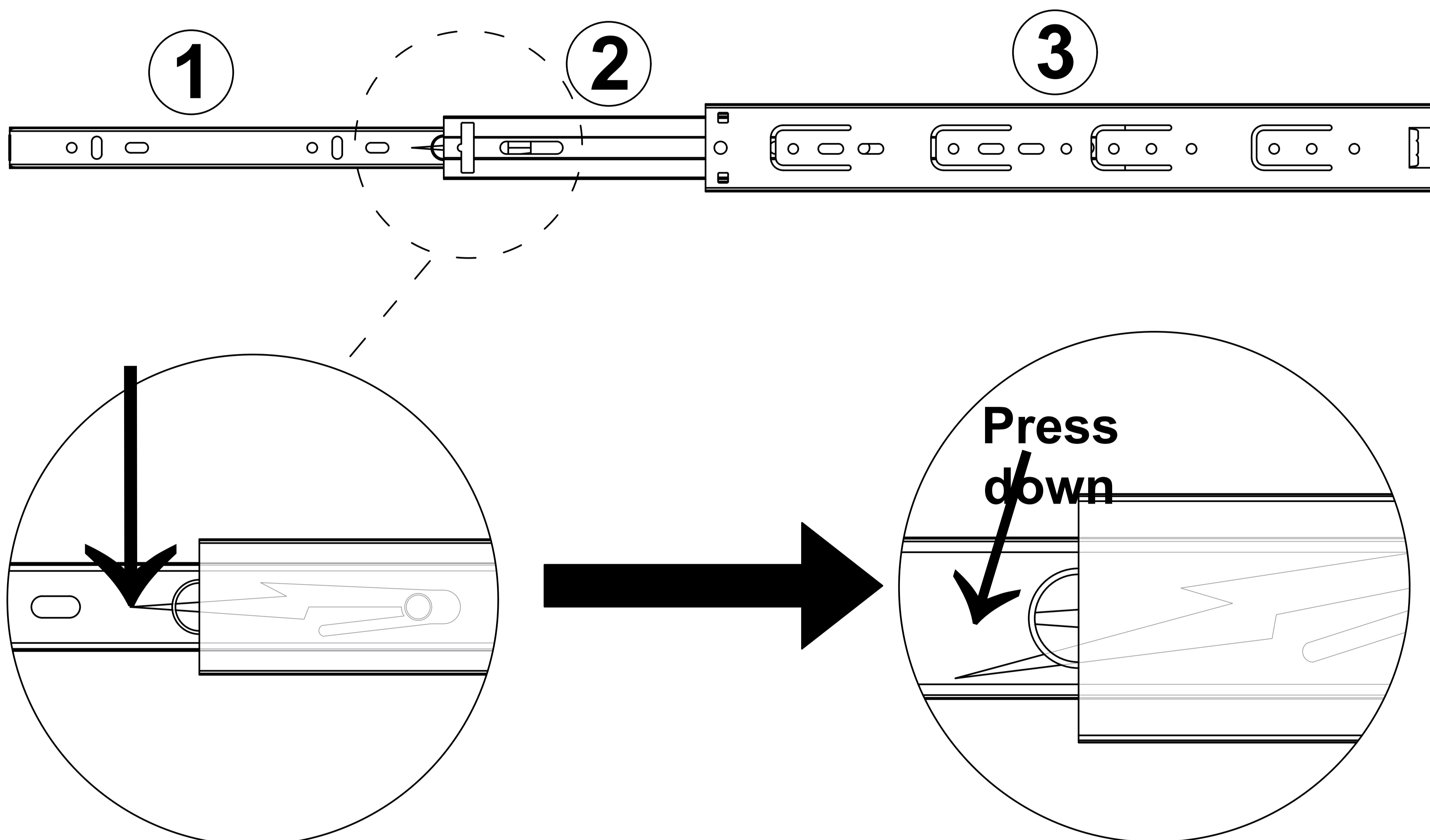
10

Drawer rail breakdown diagram



① Dismantle the schematic diagram

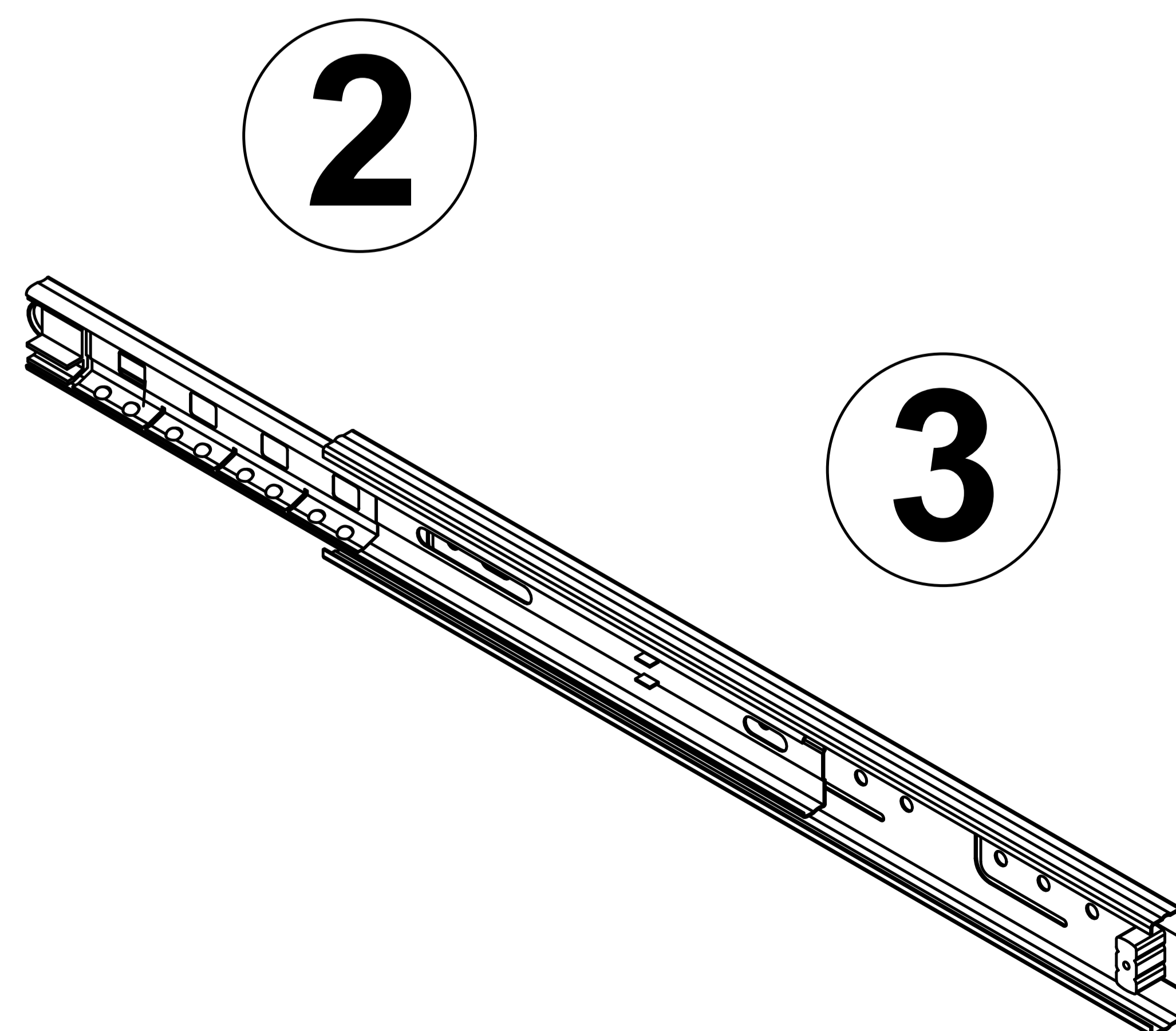
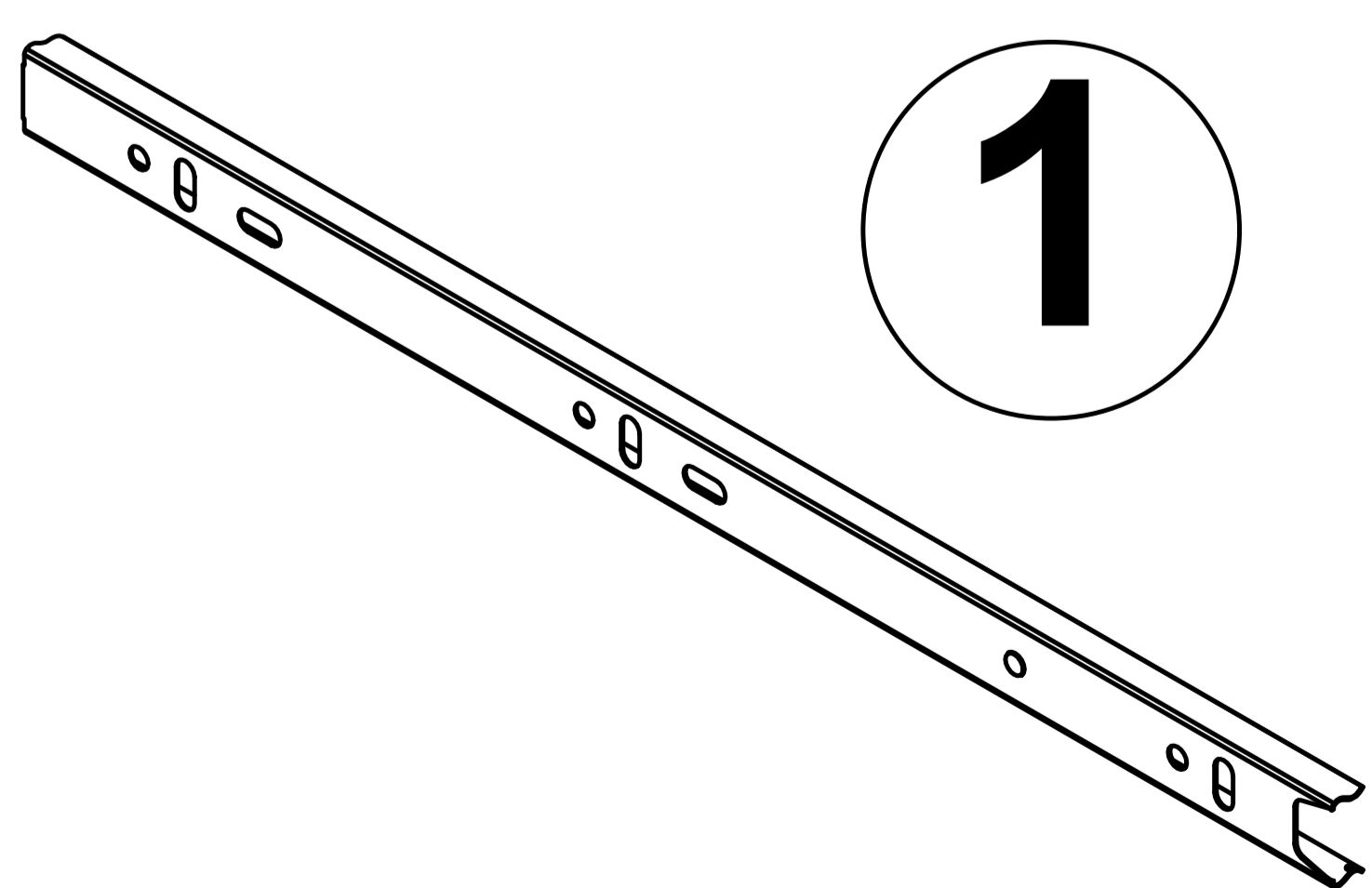
Step 1 : Pull the rails apart



Step 2 : Press the nylon button and pull out

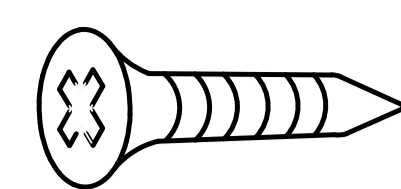
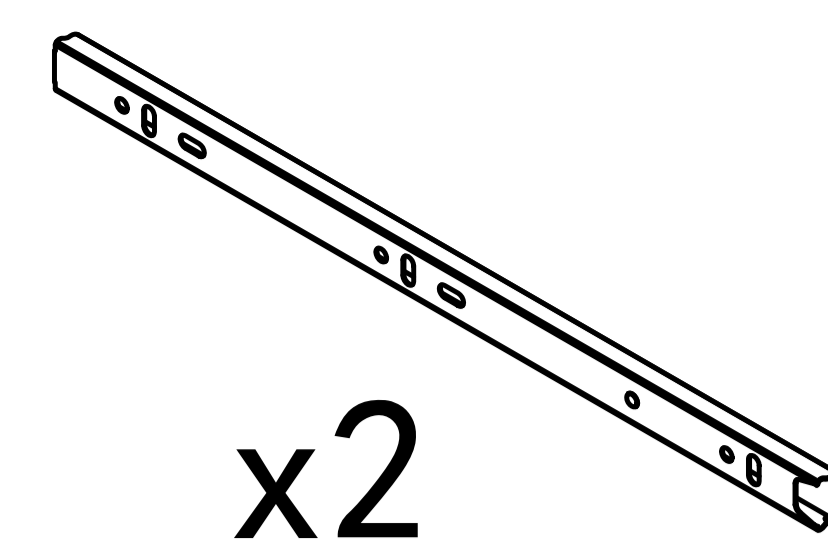
①.

Drawer rail decomposition completed schematic diagram



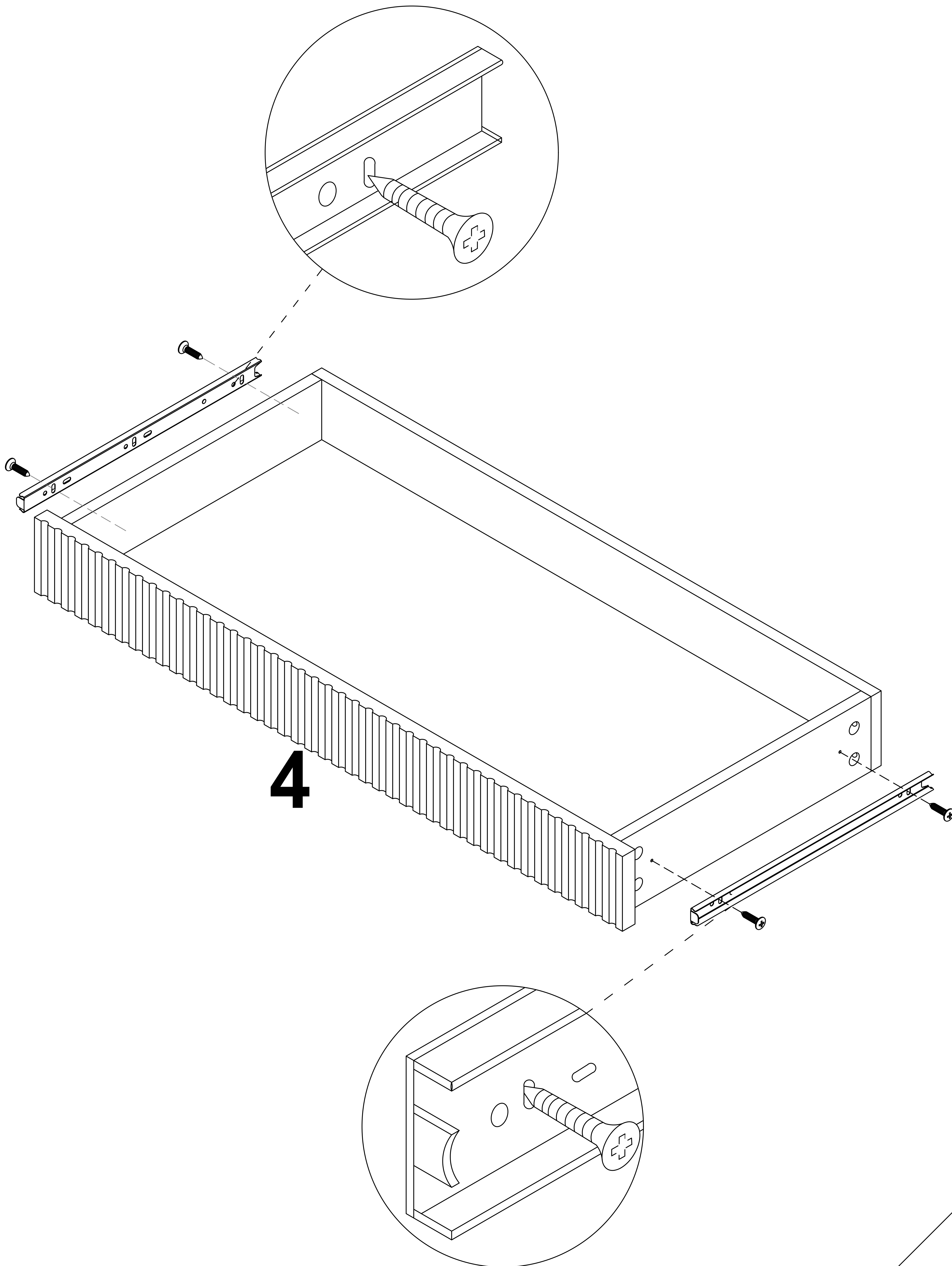
Step 13

E



x2

x4

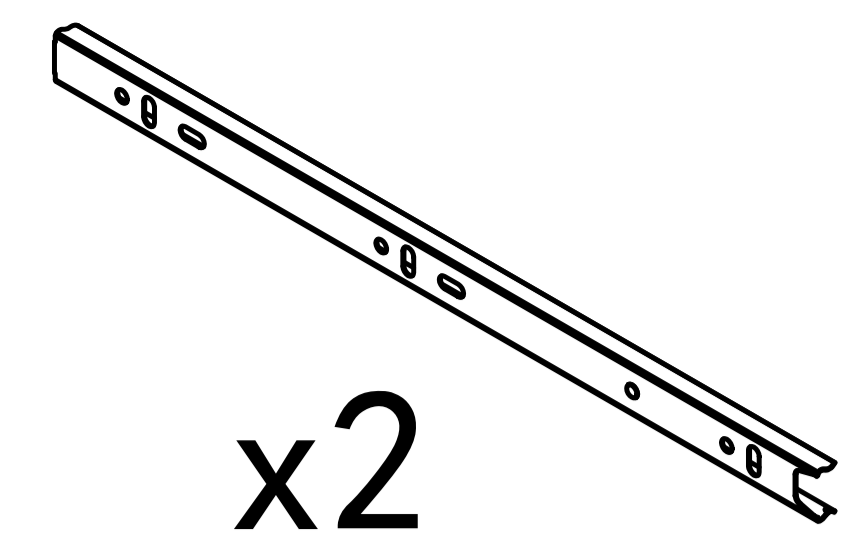


4

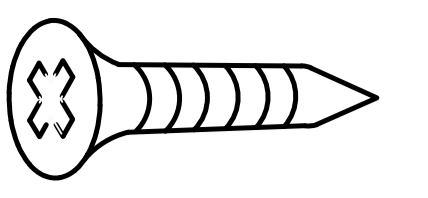
12

Step 14

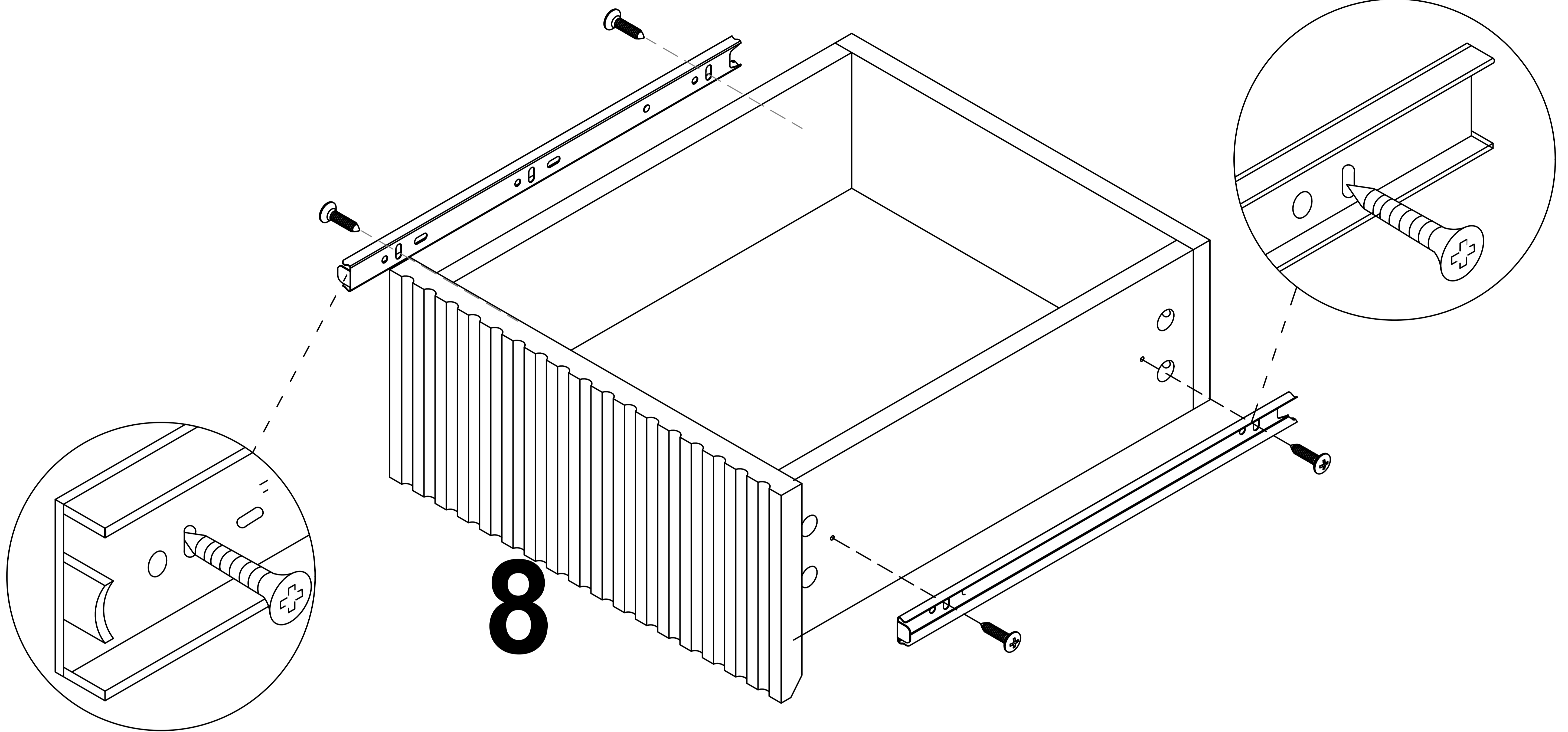
E



x2

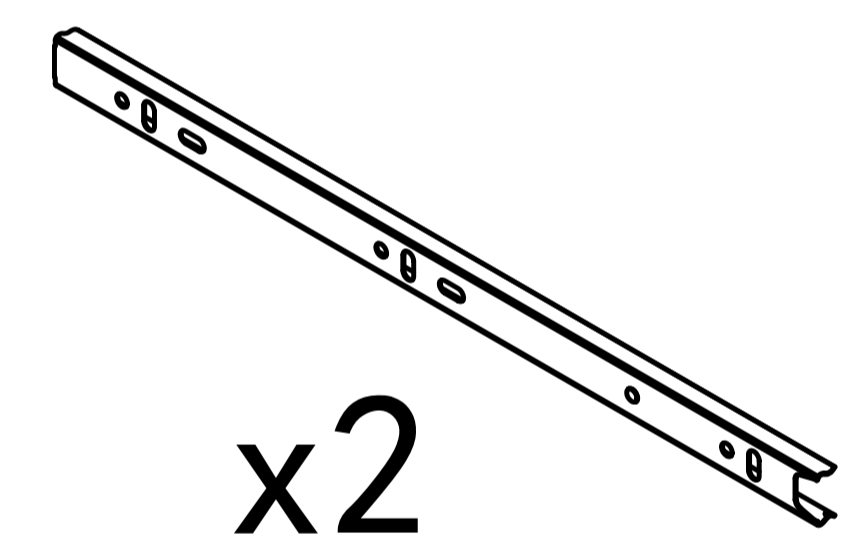


x4

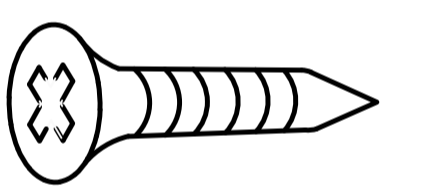


Step 15

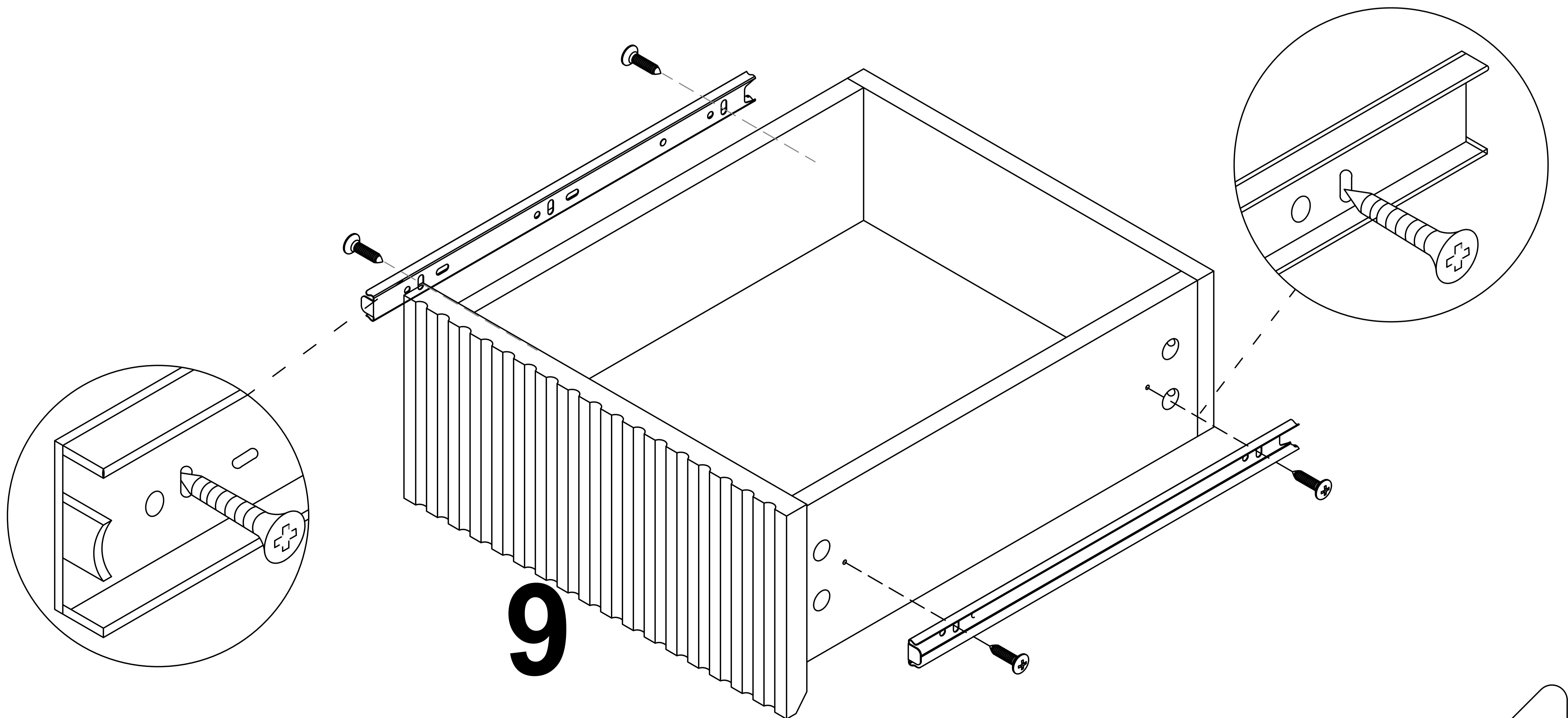
E



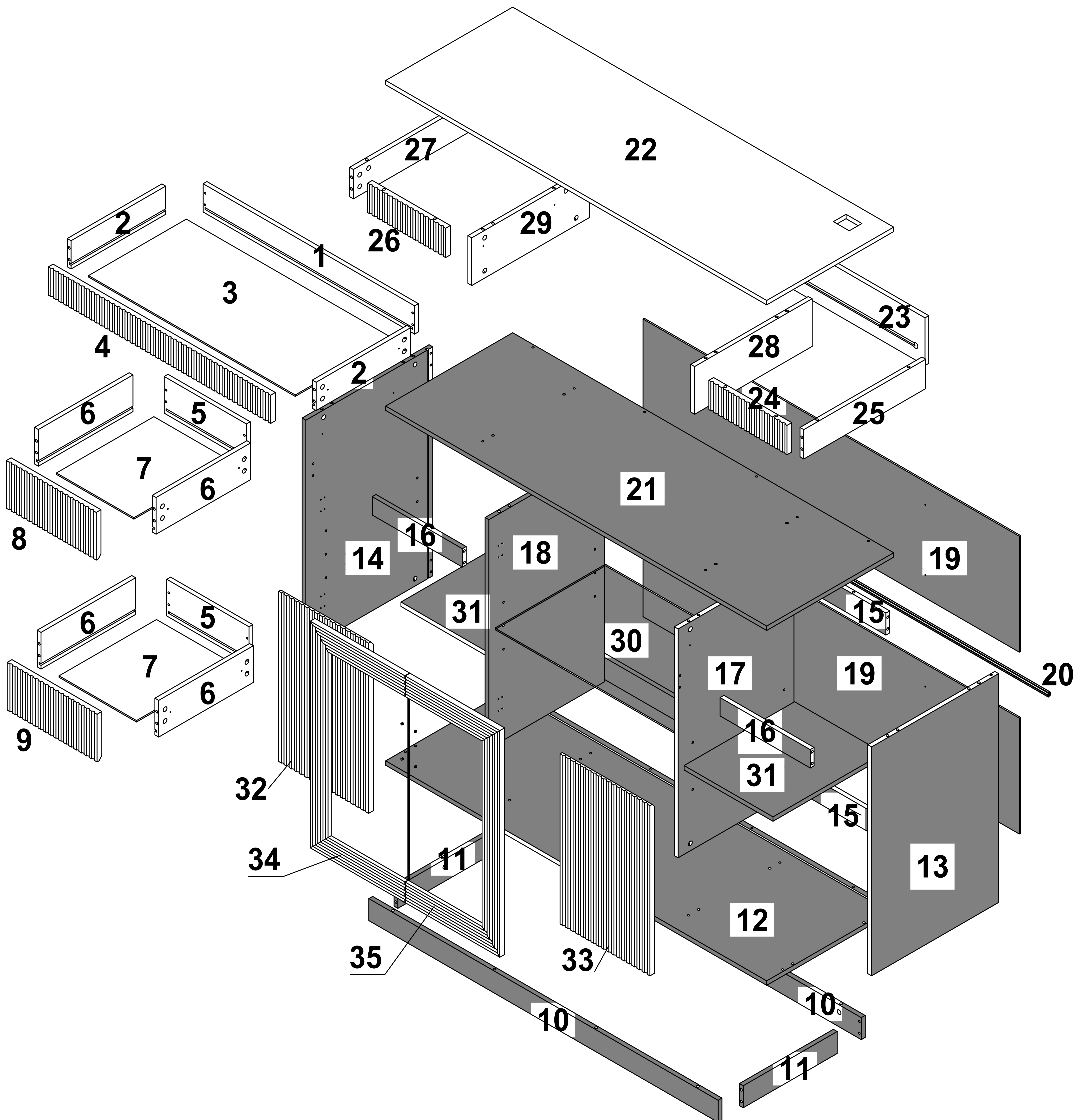
x2



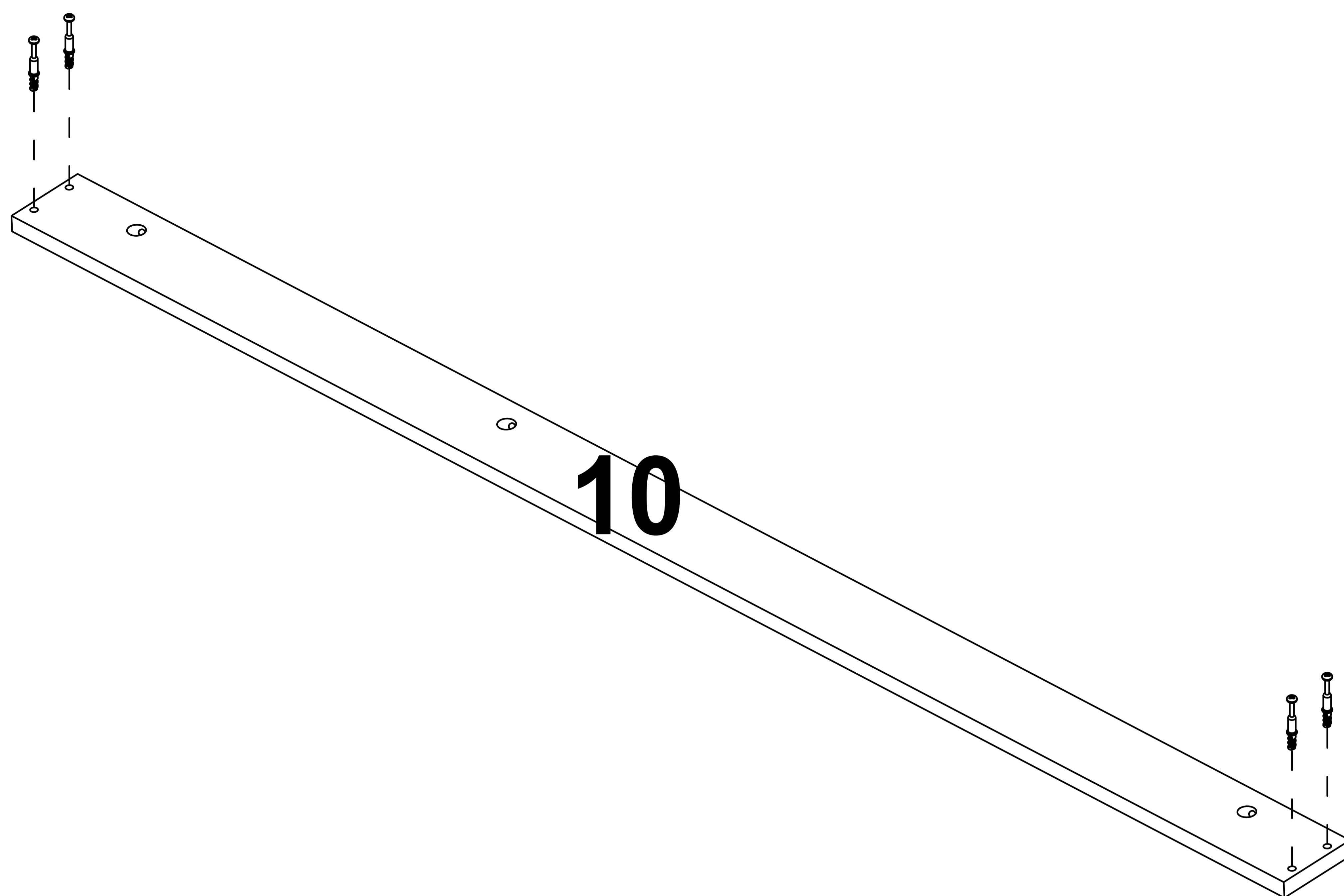
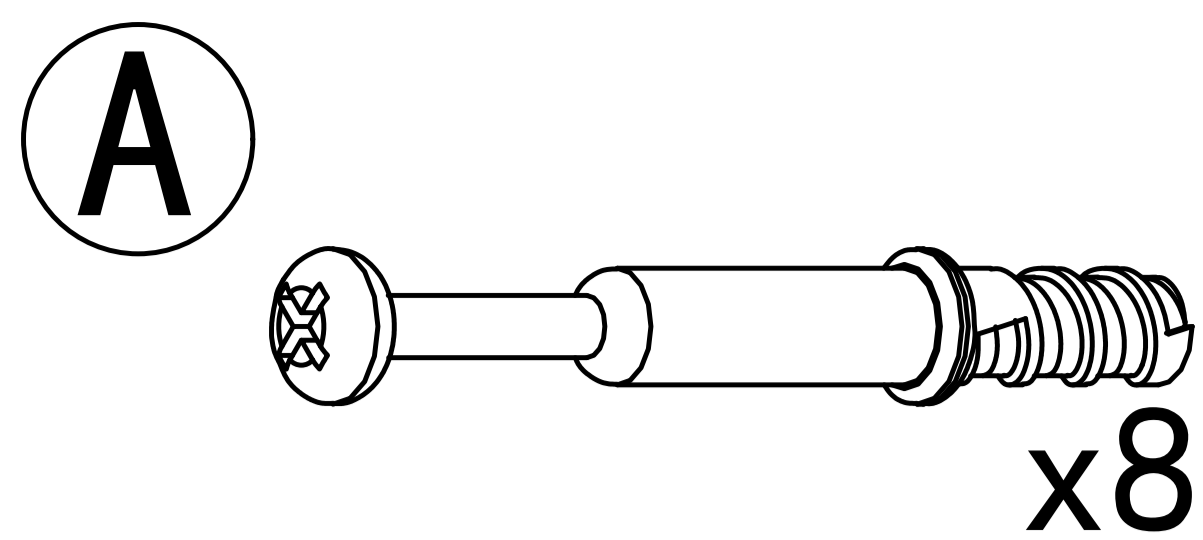
x4



Product structure decomposition

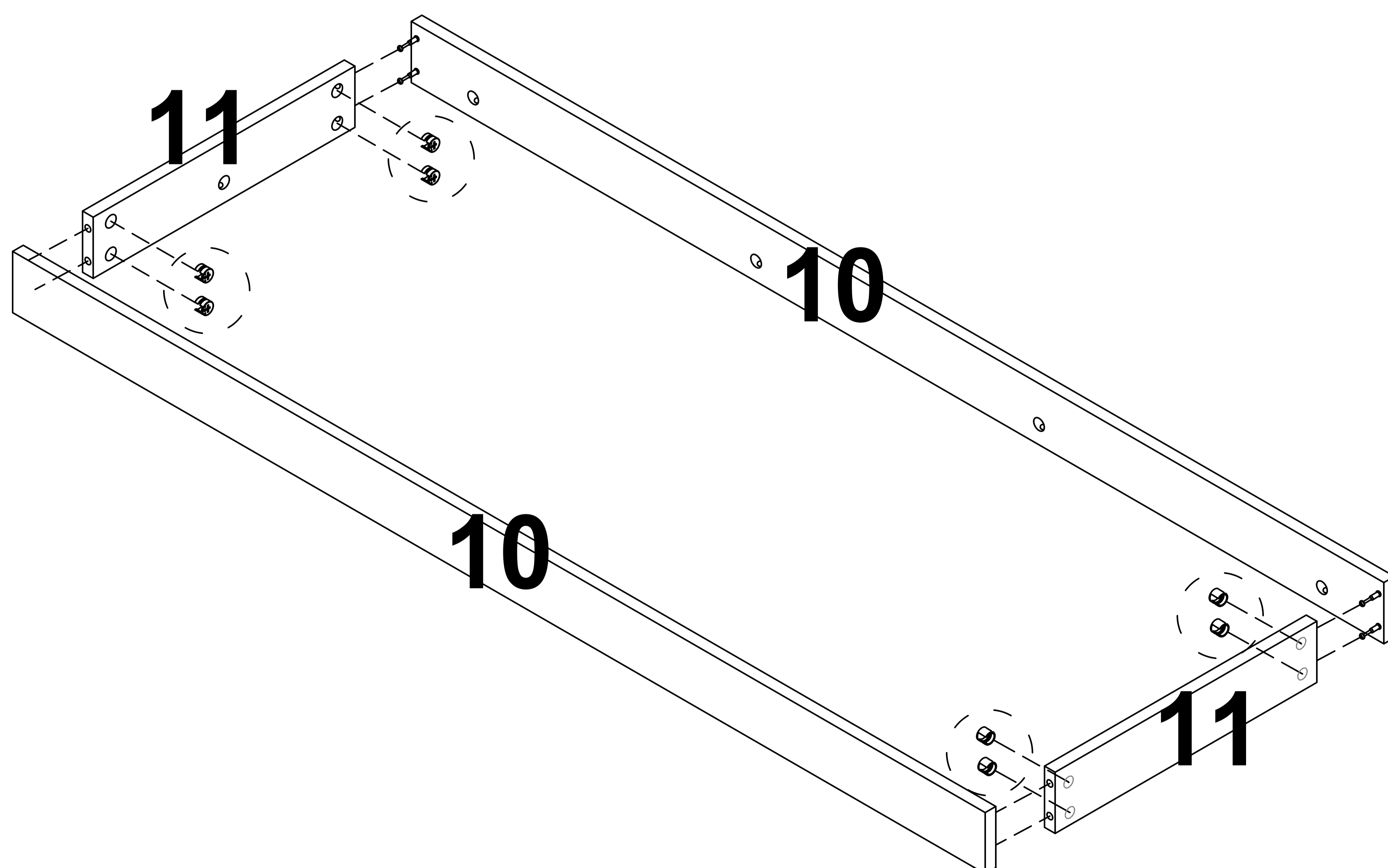
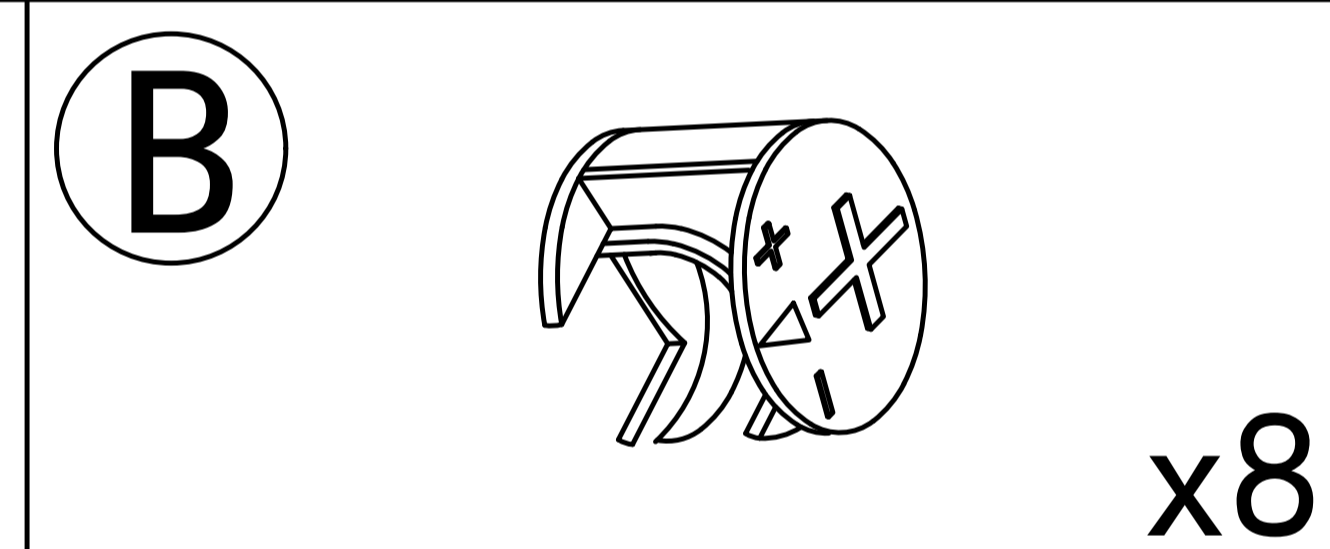


Step 16



Steps and objects x2

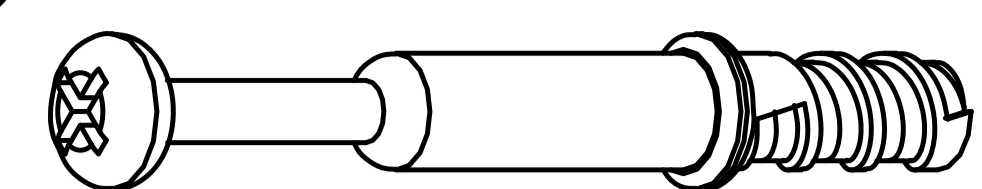
Step 17



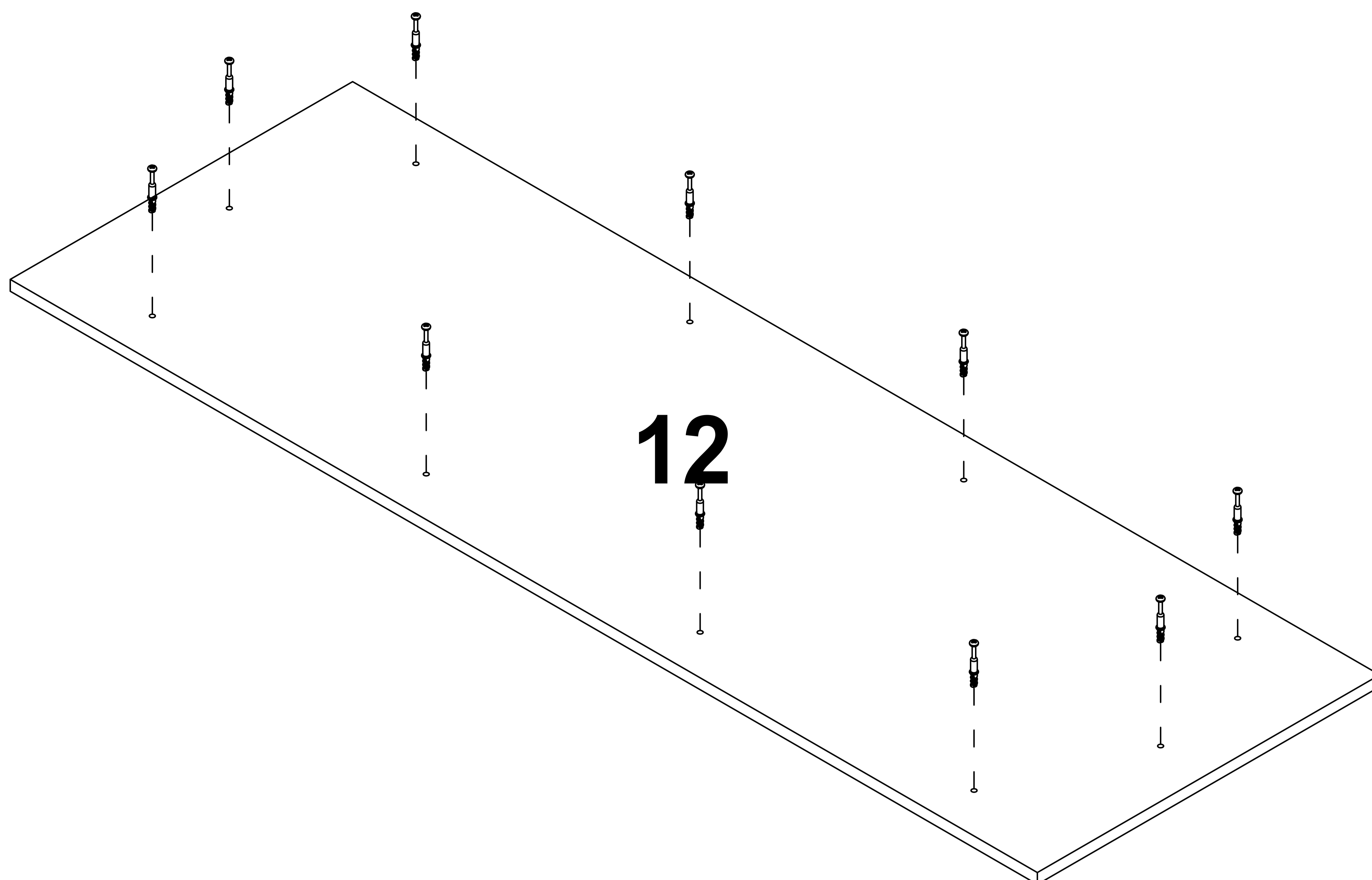
15

Step 18

A

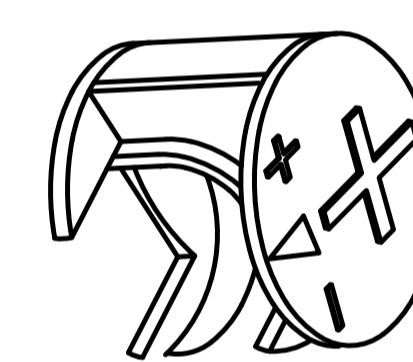


x10

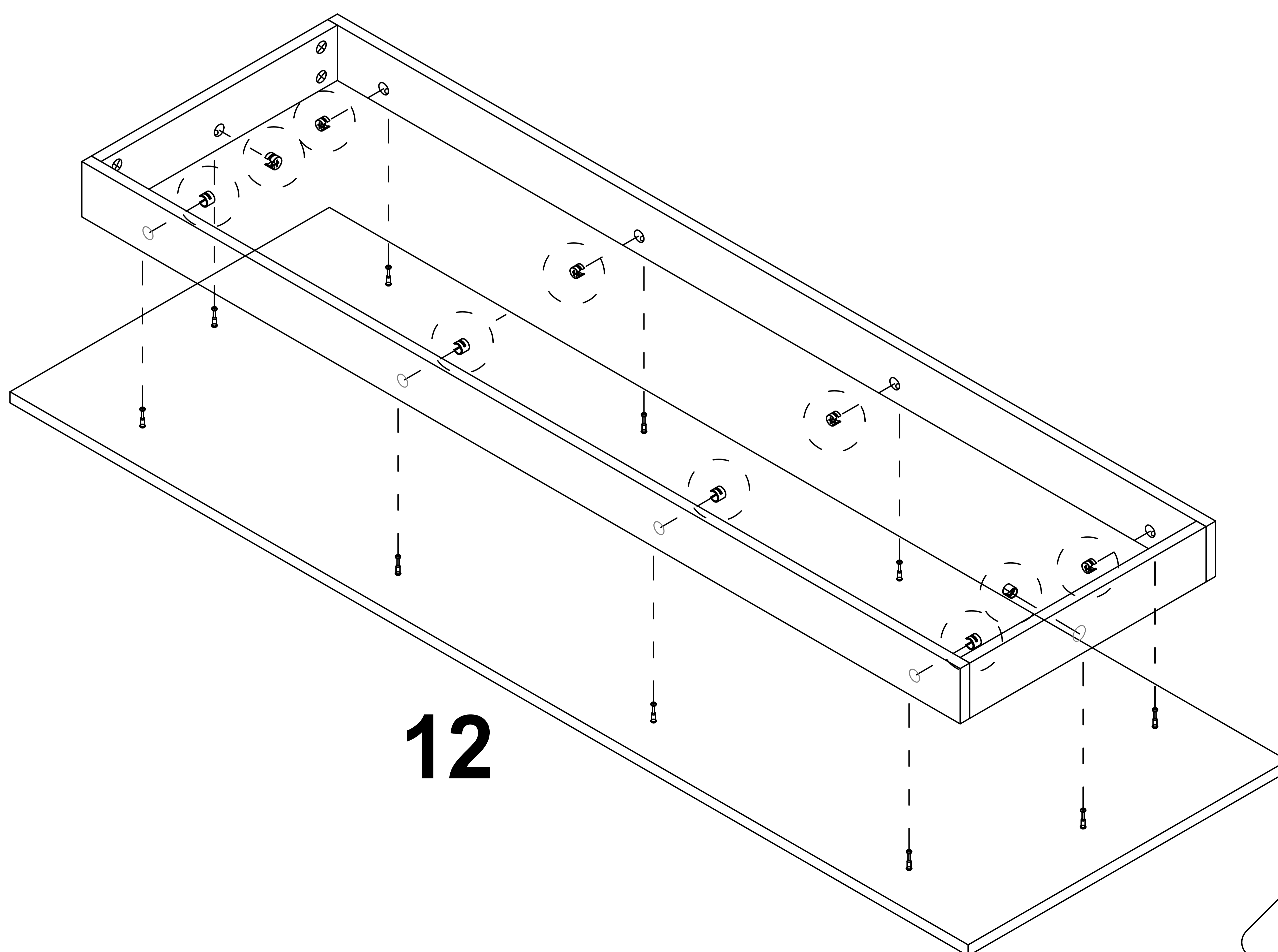


Step 19

B



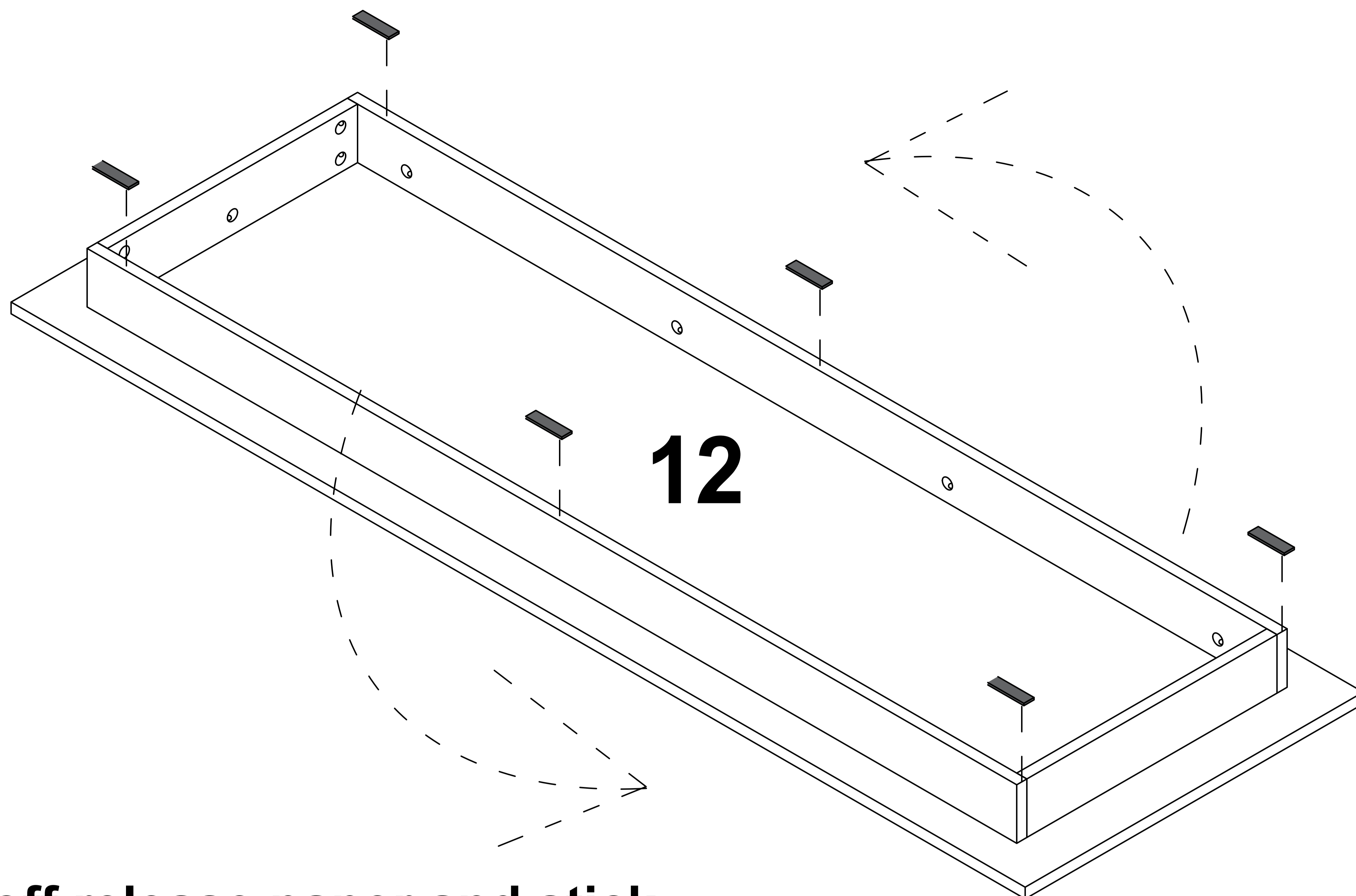
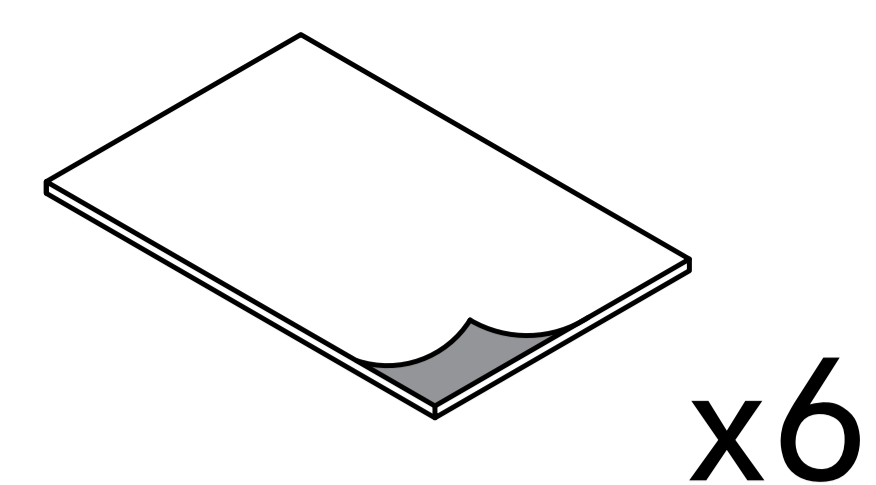
x10



16

Step 20

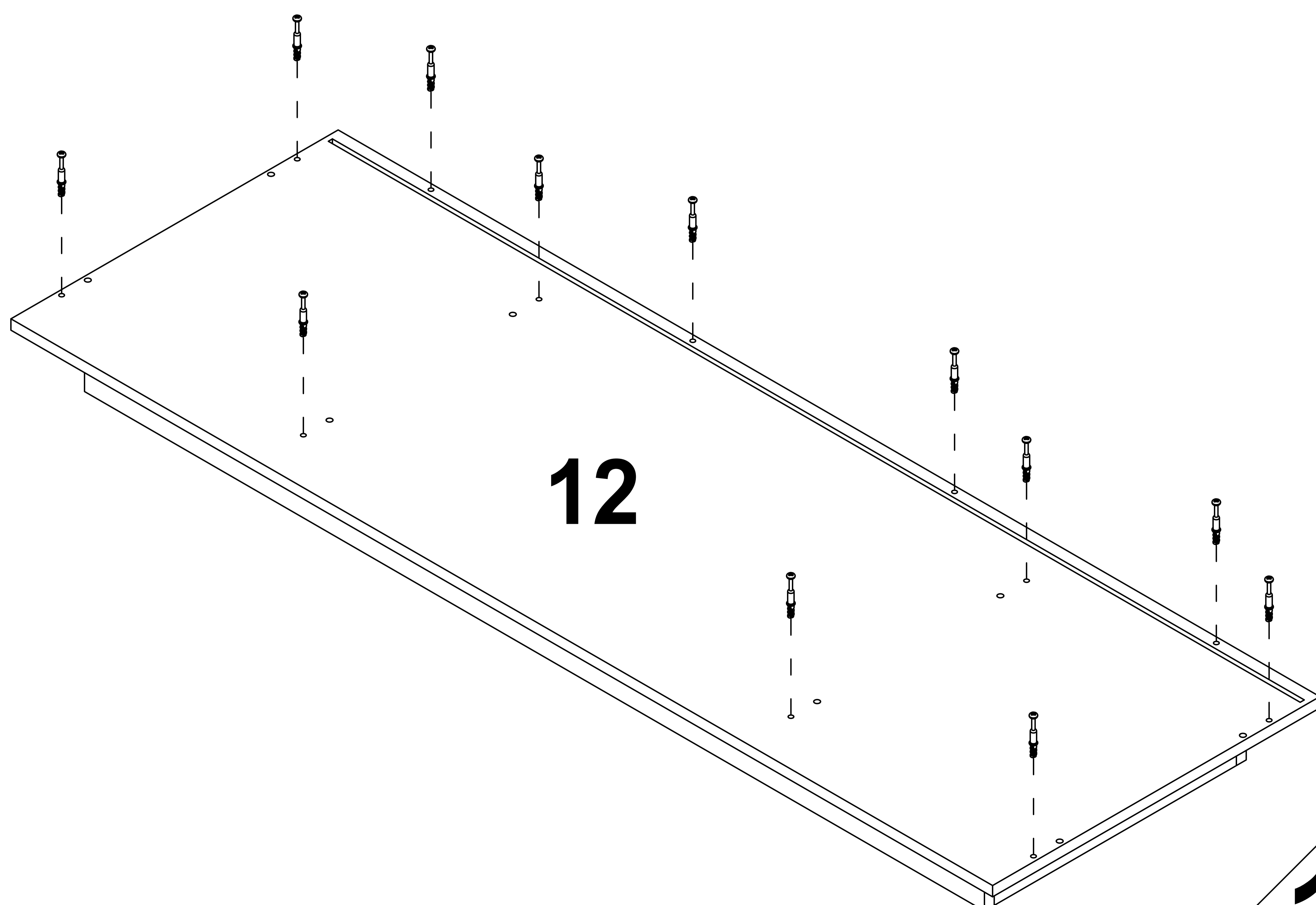
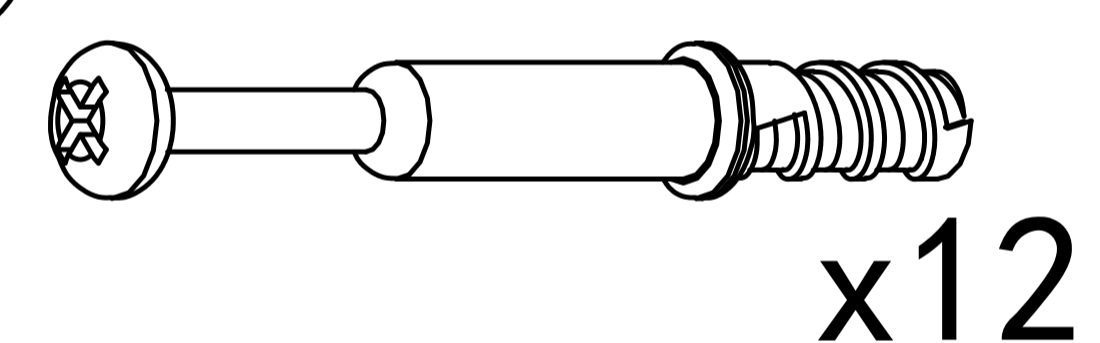
G



Tear off release paper and stick the black foot pad on the board

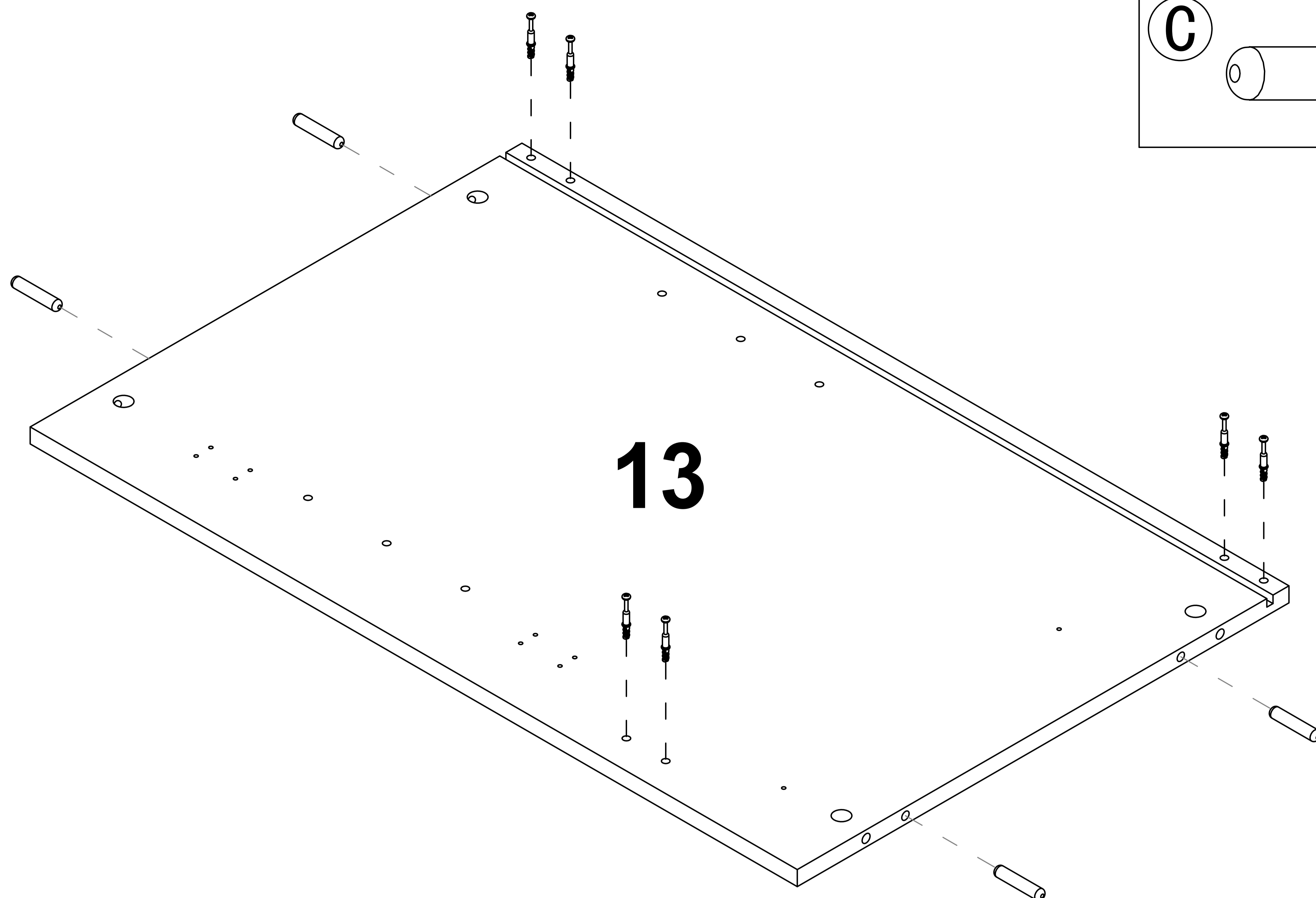
Step 21

A

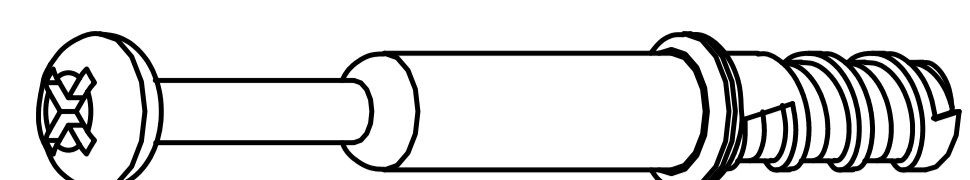


17

Step 22

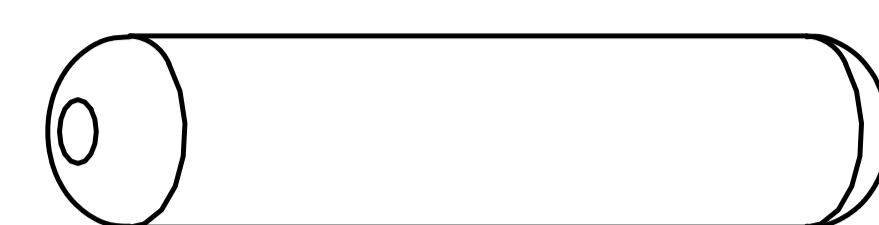


A



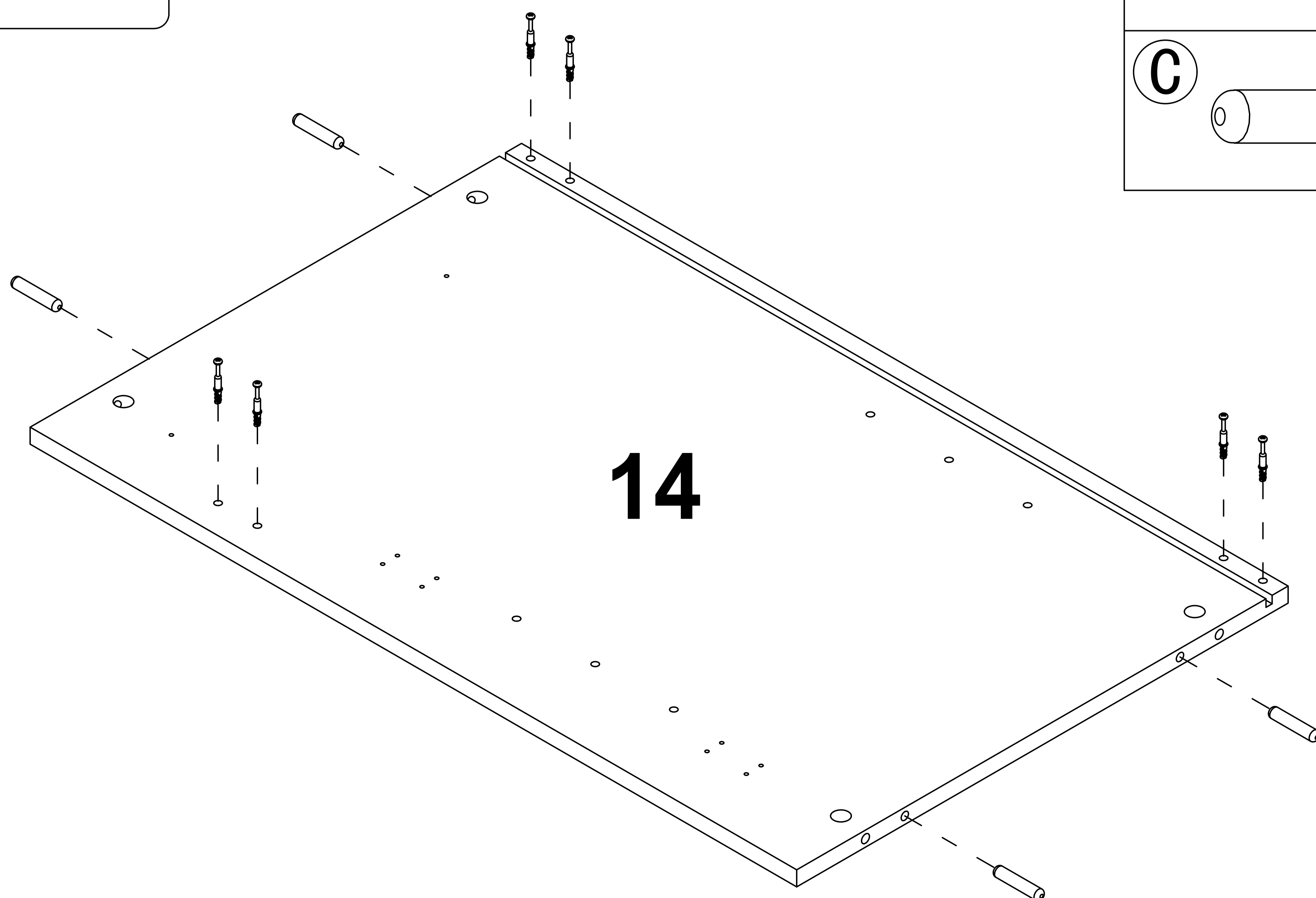
x6

C

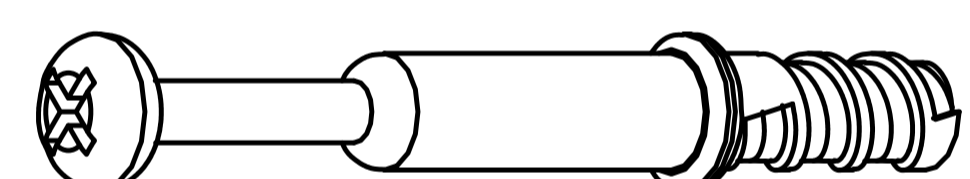


x4

Step 23



A



x6

C

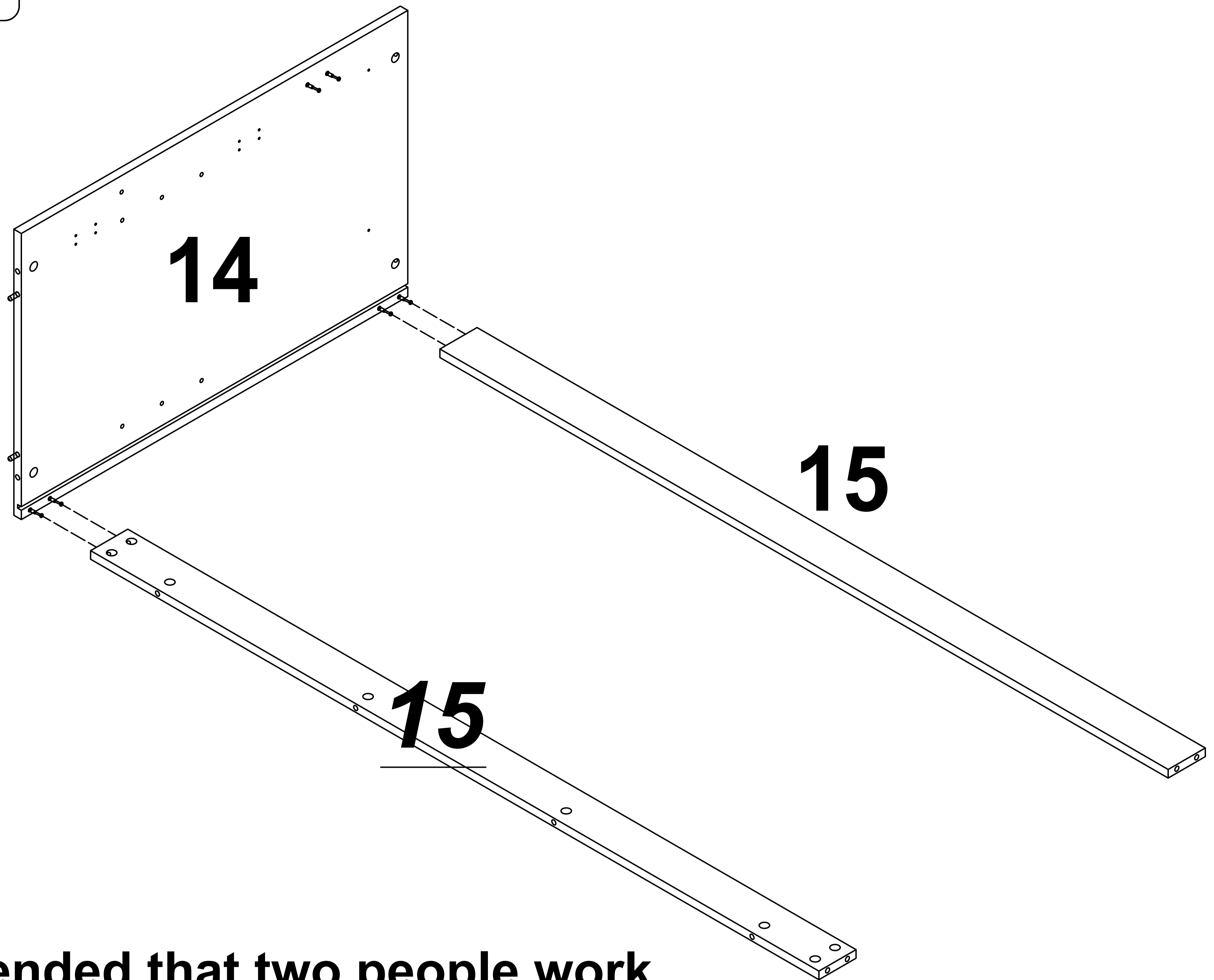


x4

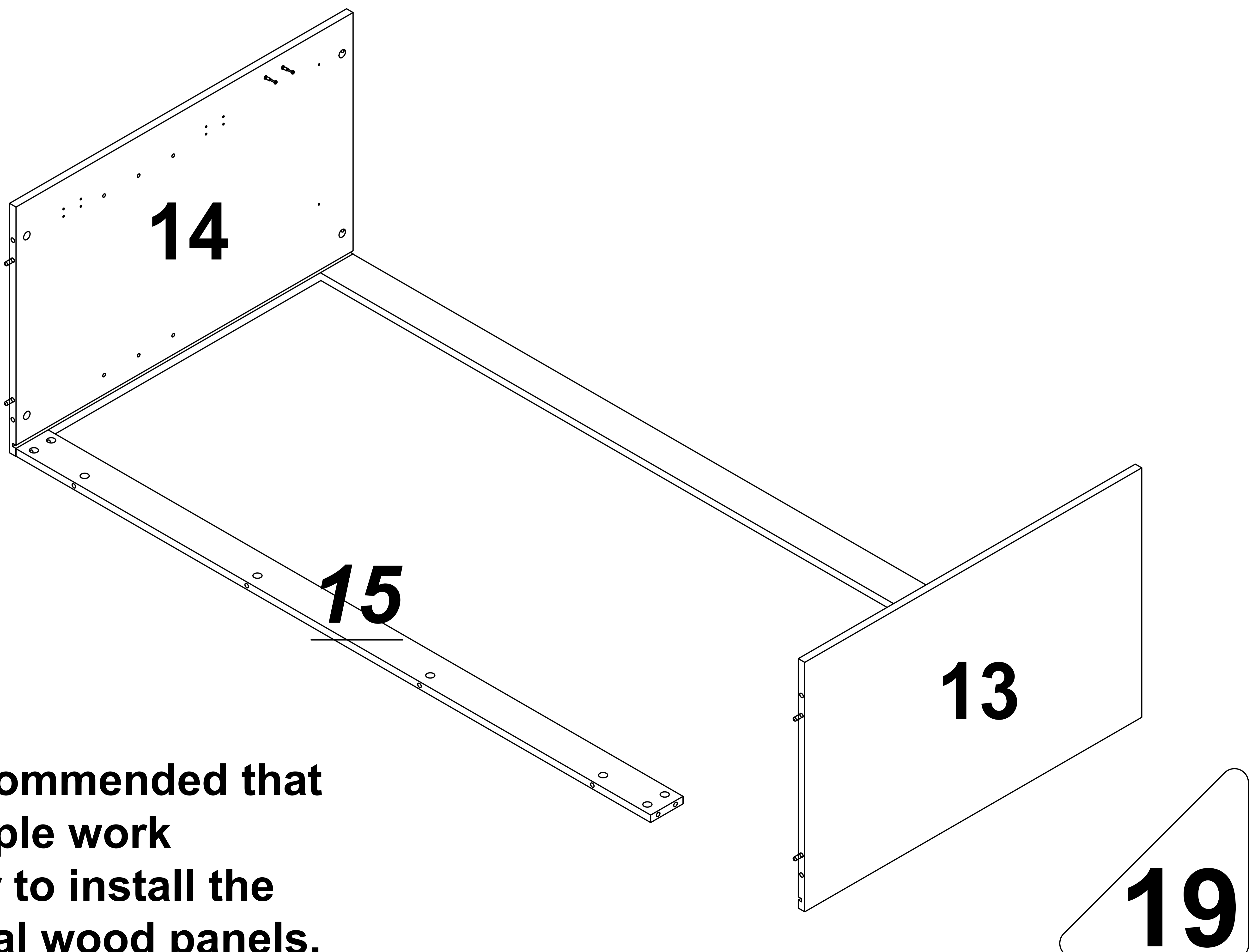
18

Step 24

Watch out for the direction of "15"



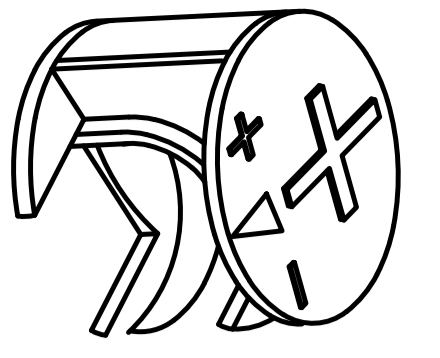
It is recommended that two people work together to install the structural wood panels.



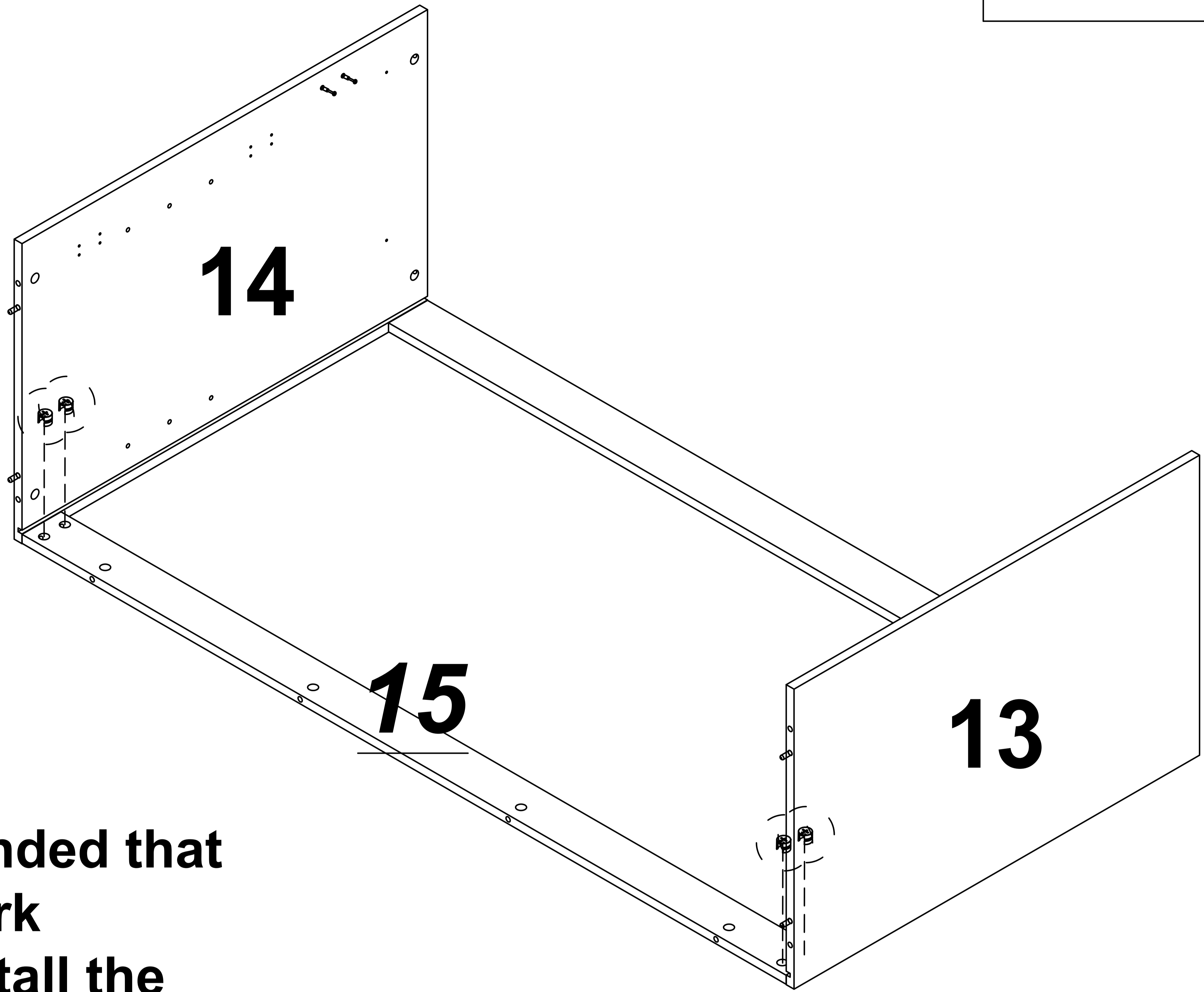
It is recommended that two people work together to install the structural wood panels.

Step 26

(B)



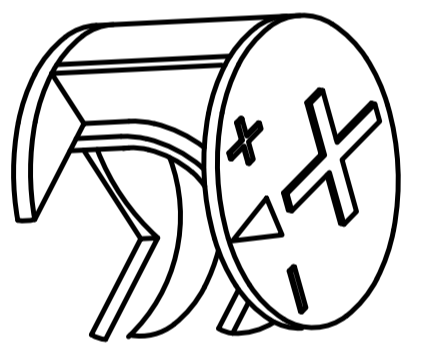
x4



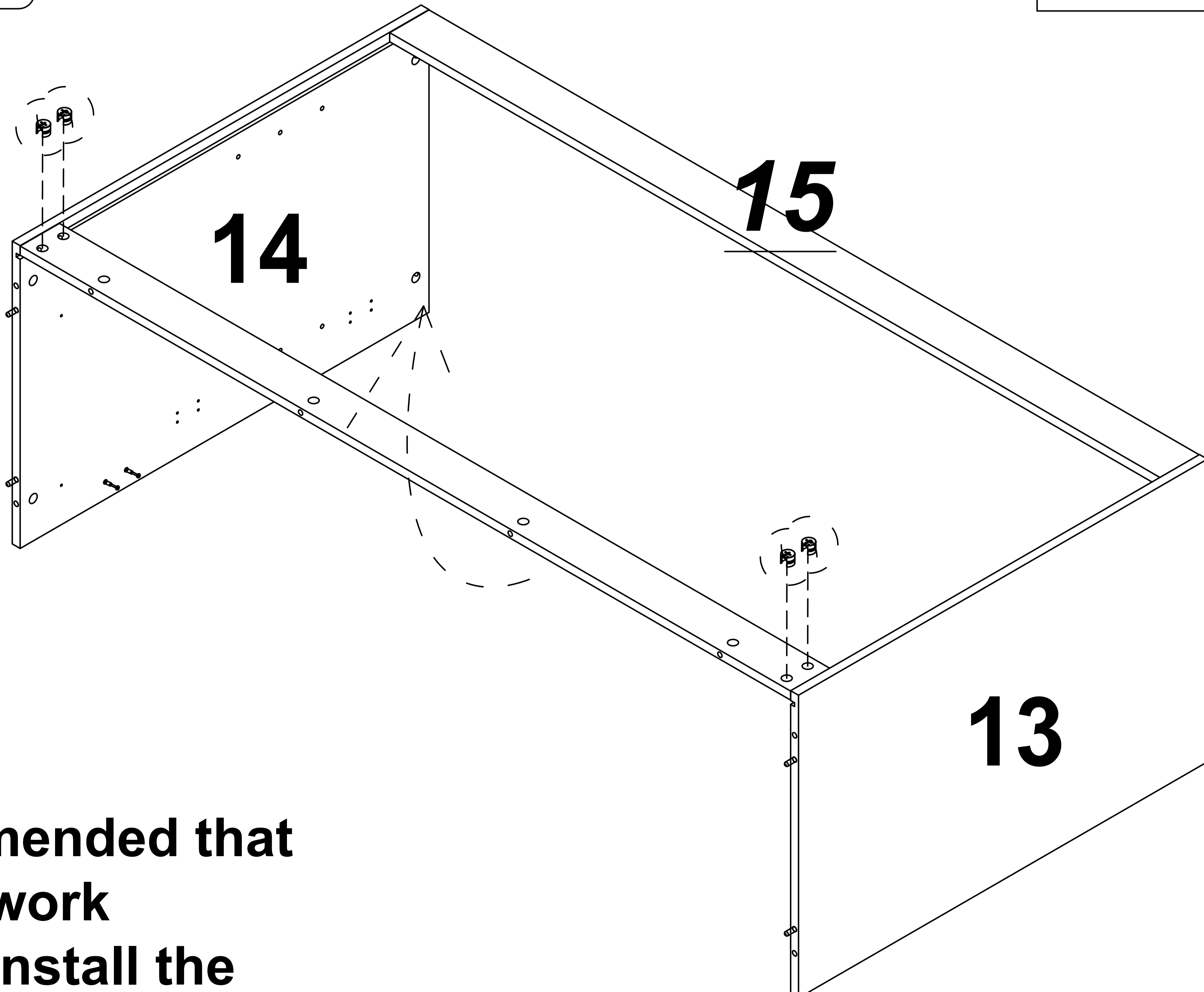
It is recommended that two people work together to install the structural wood panels.

Step 27

(B)



x4

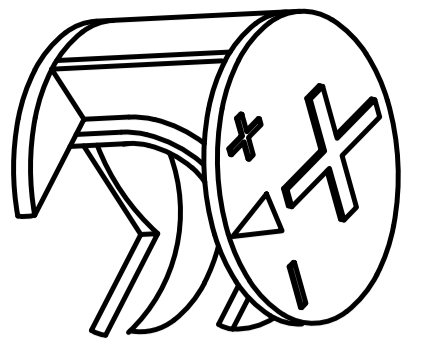


It is recommended that two people work together to install the structural wood panels.

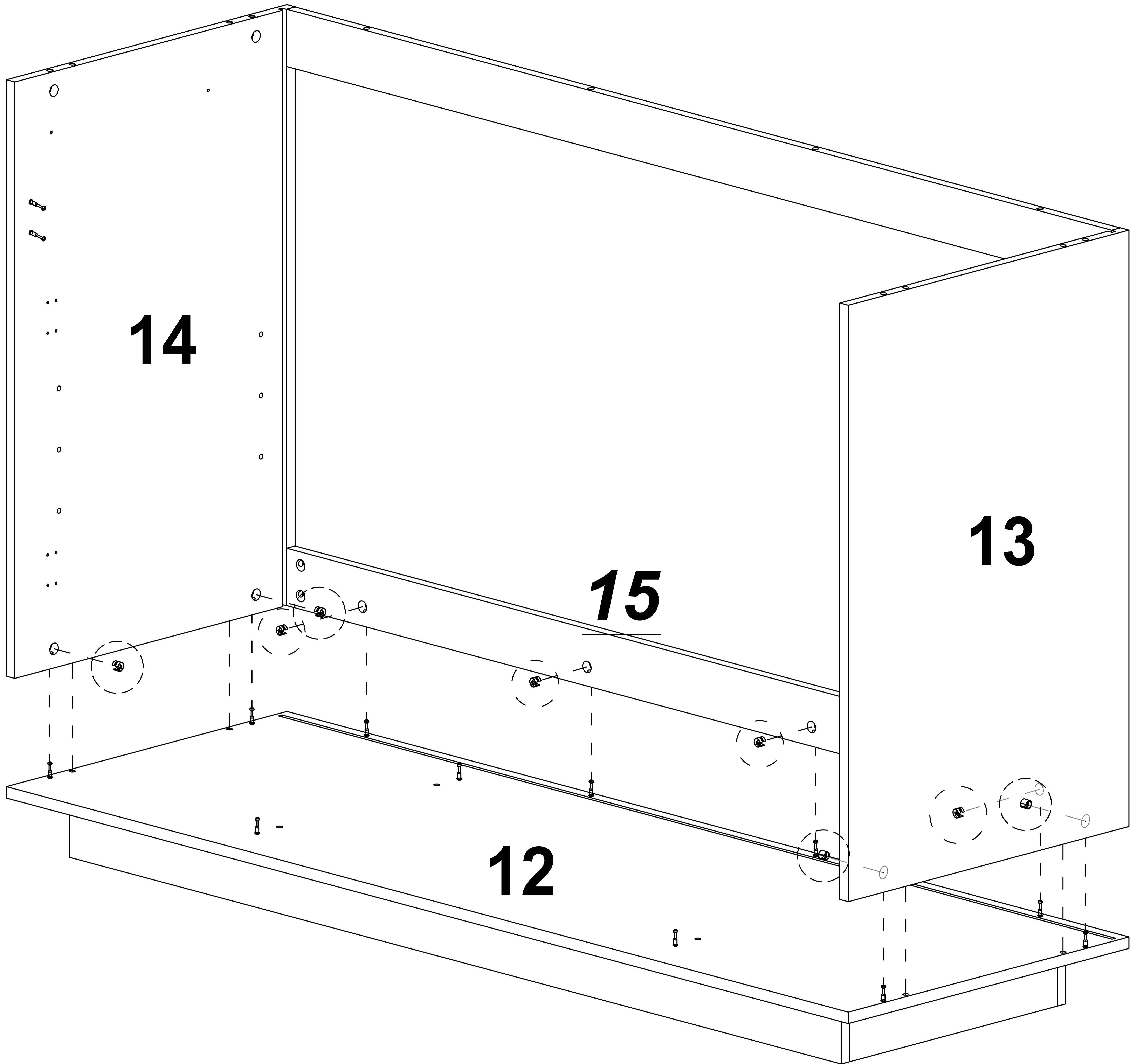
20

Step 28

B



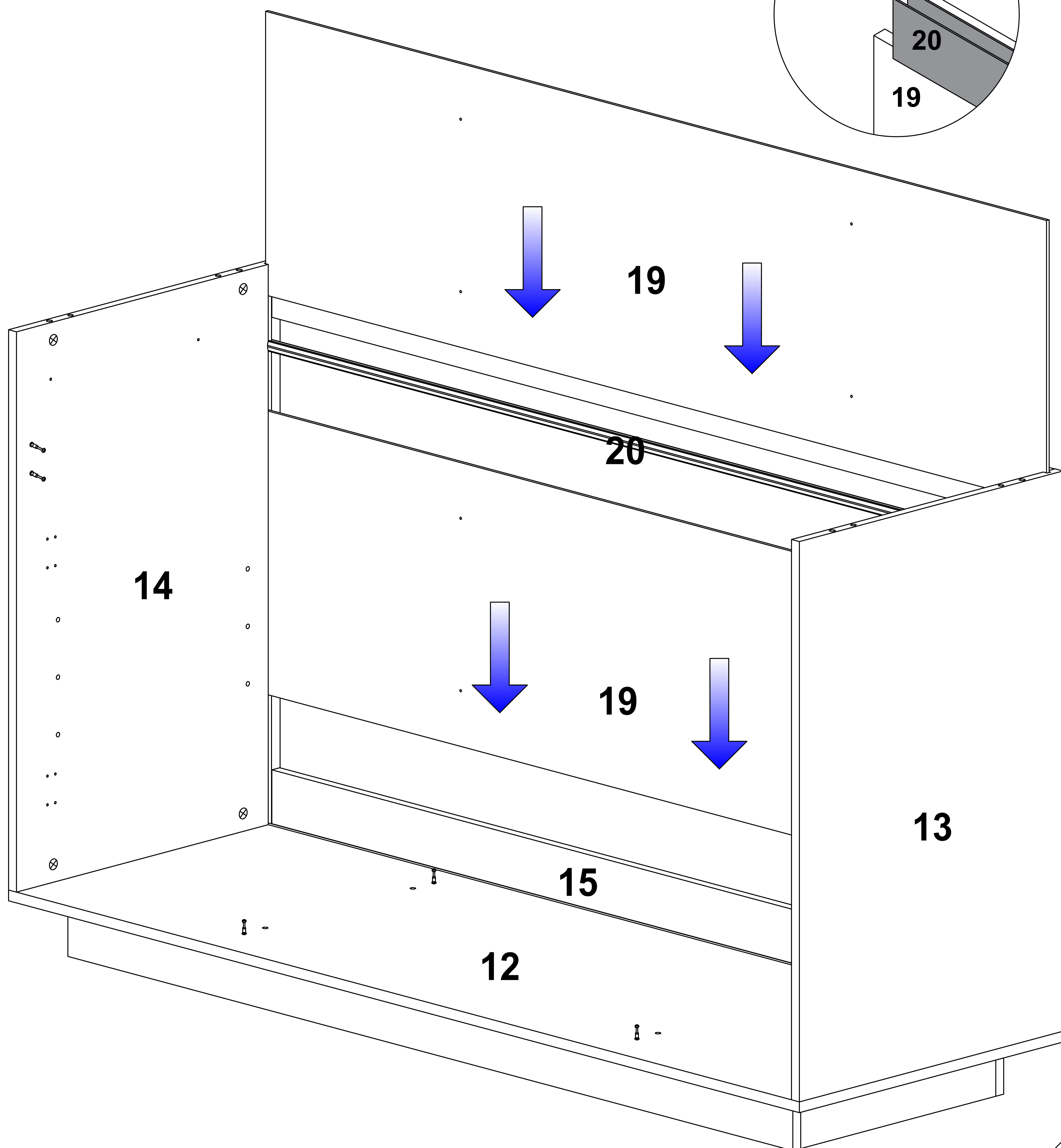
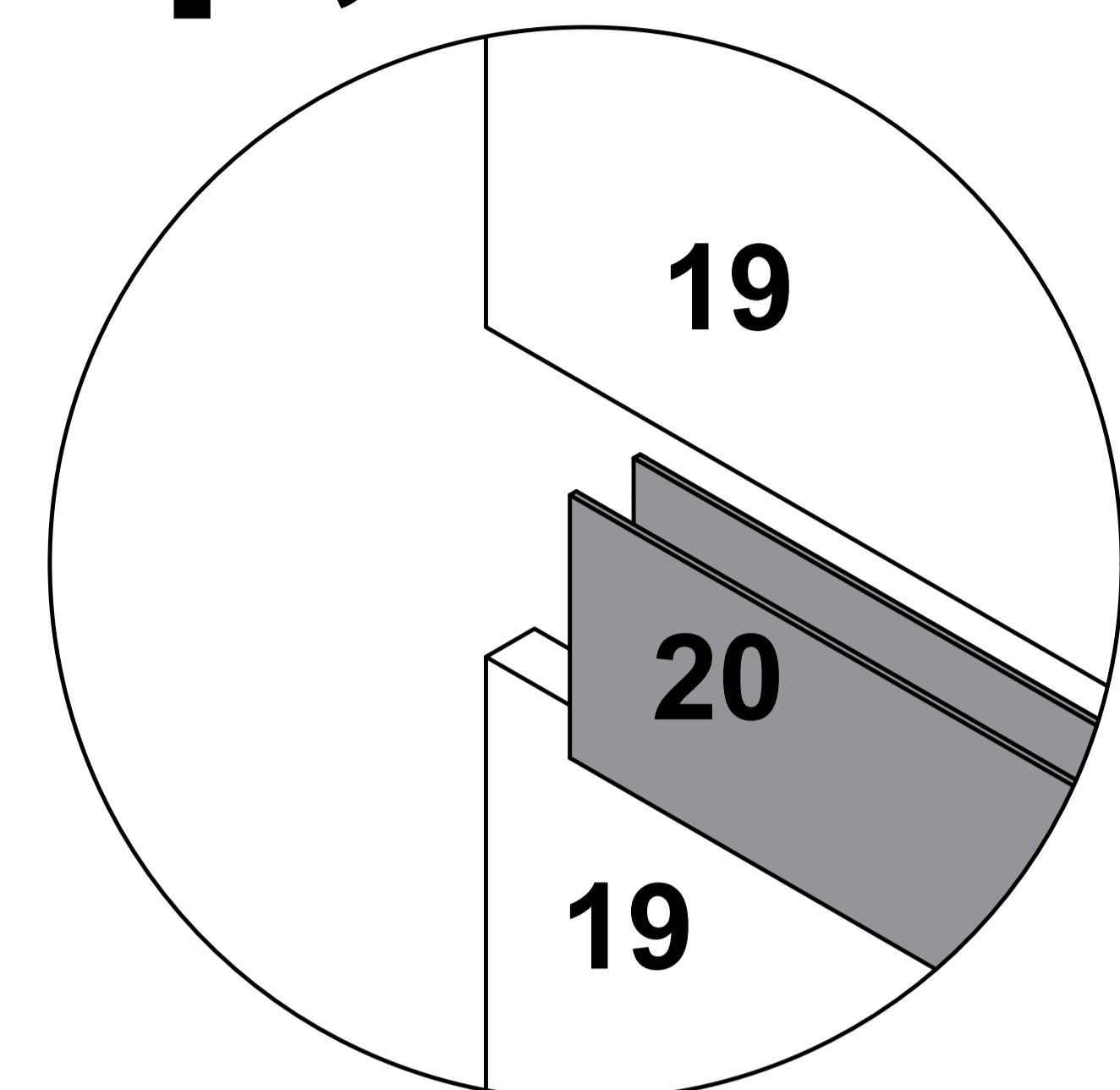
x8



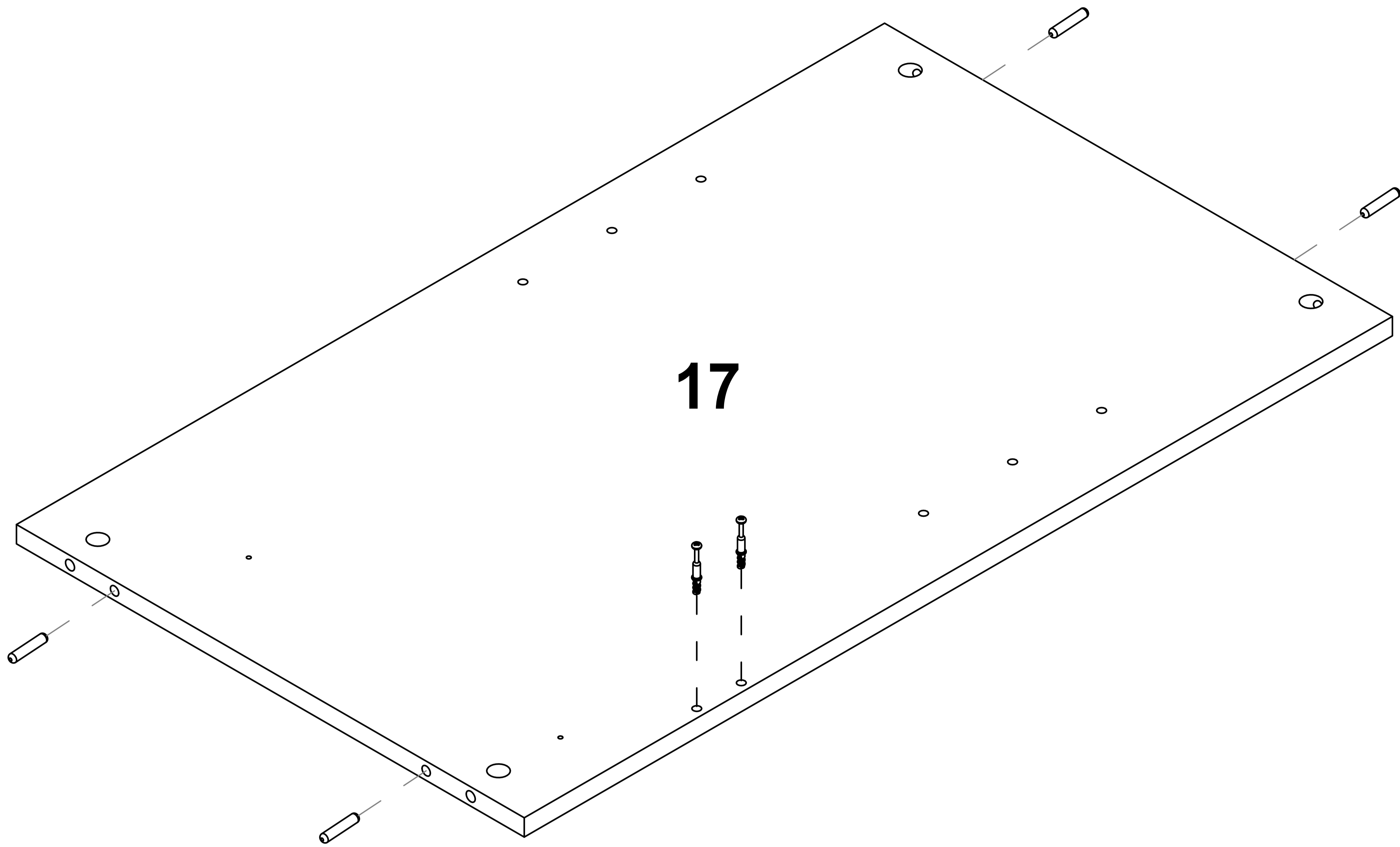
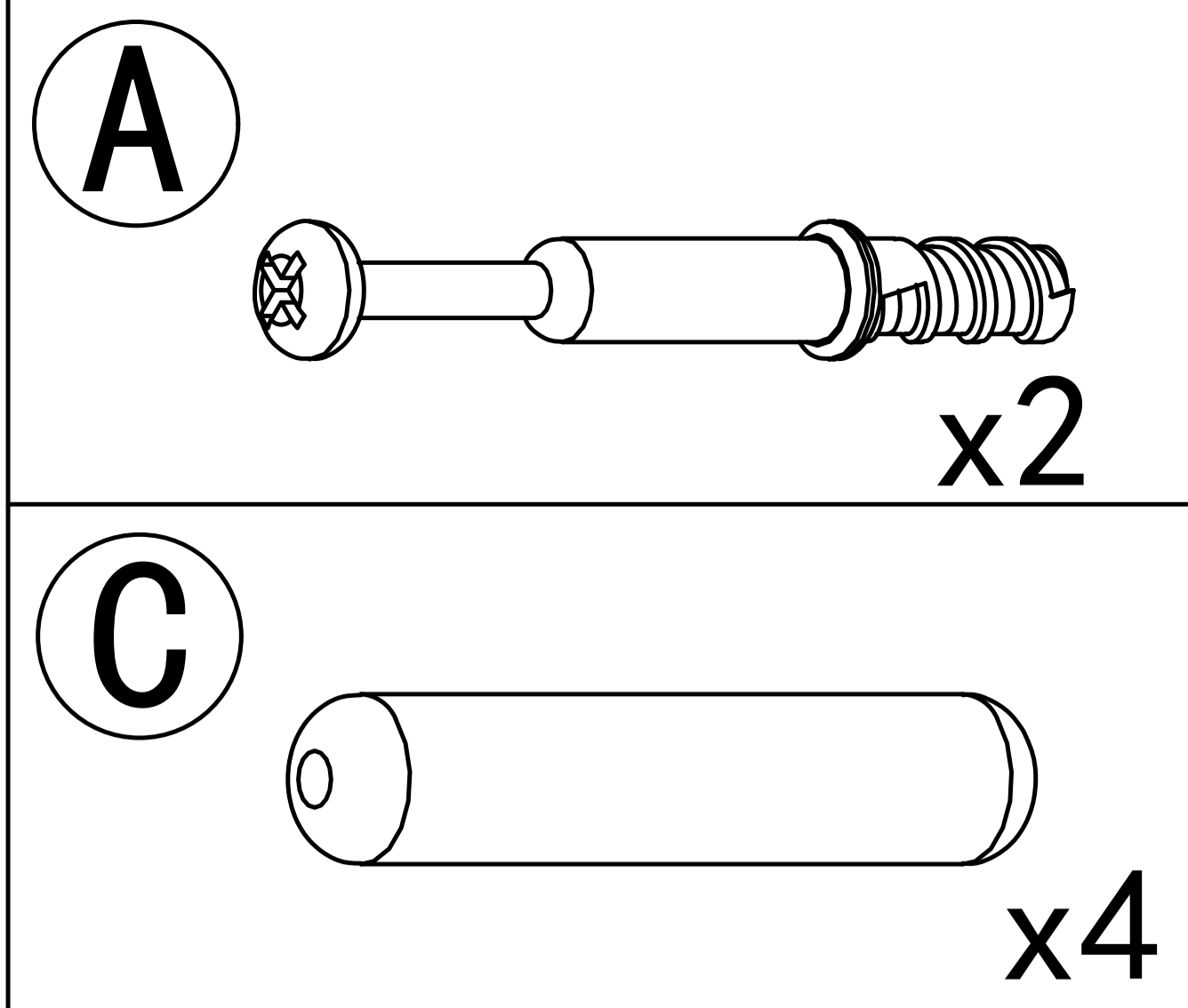
It is recommended that two people work together to install the structural wood panels.

Step 29

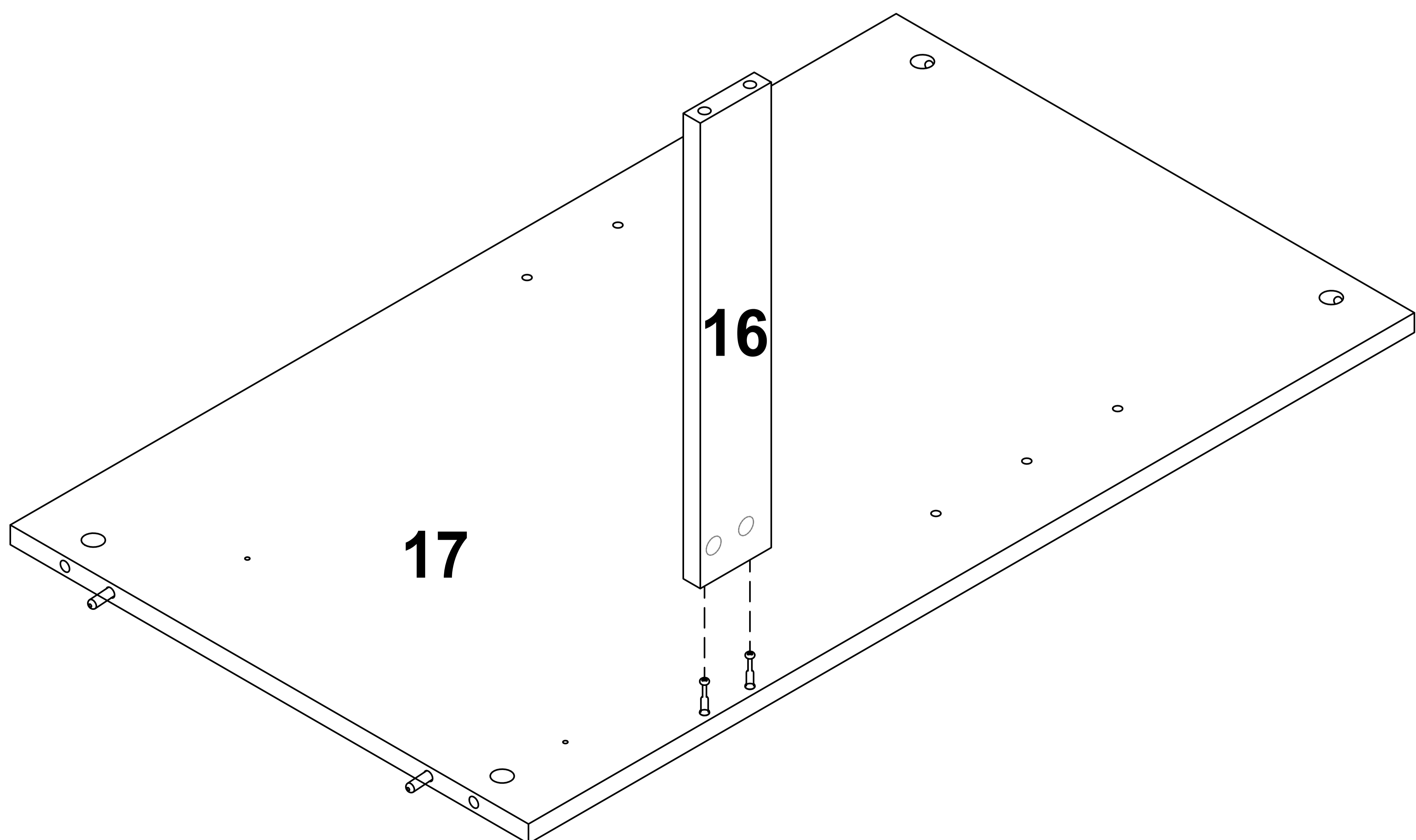
Place the "19" board,
"20" Backboard card strip, and
"19" board in order



Step 30

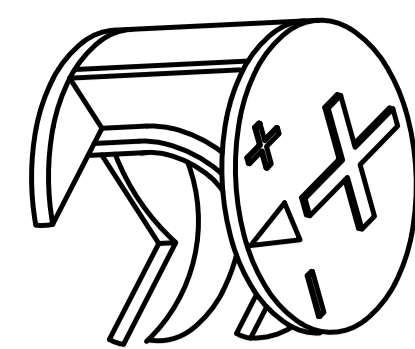


Step 31



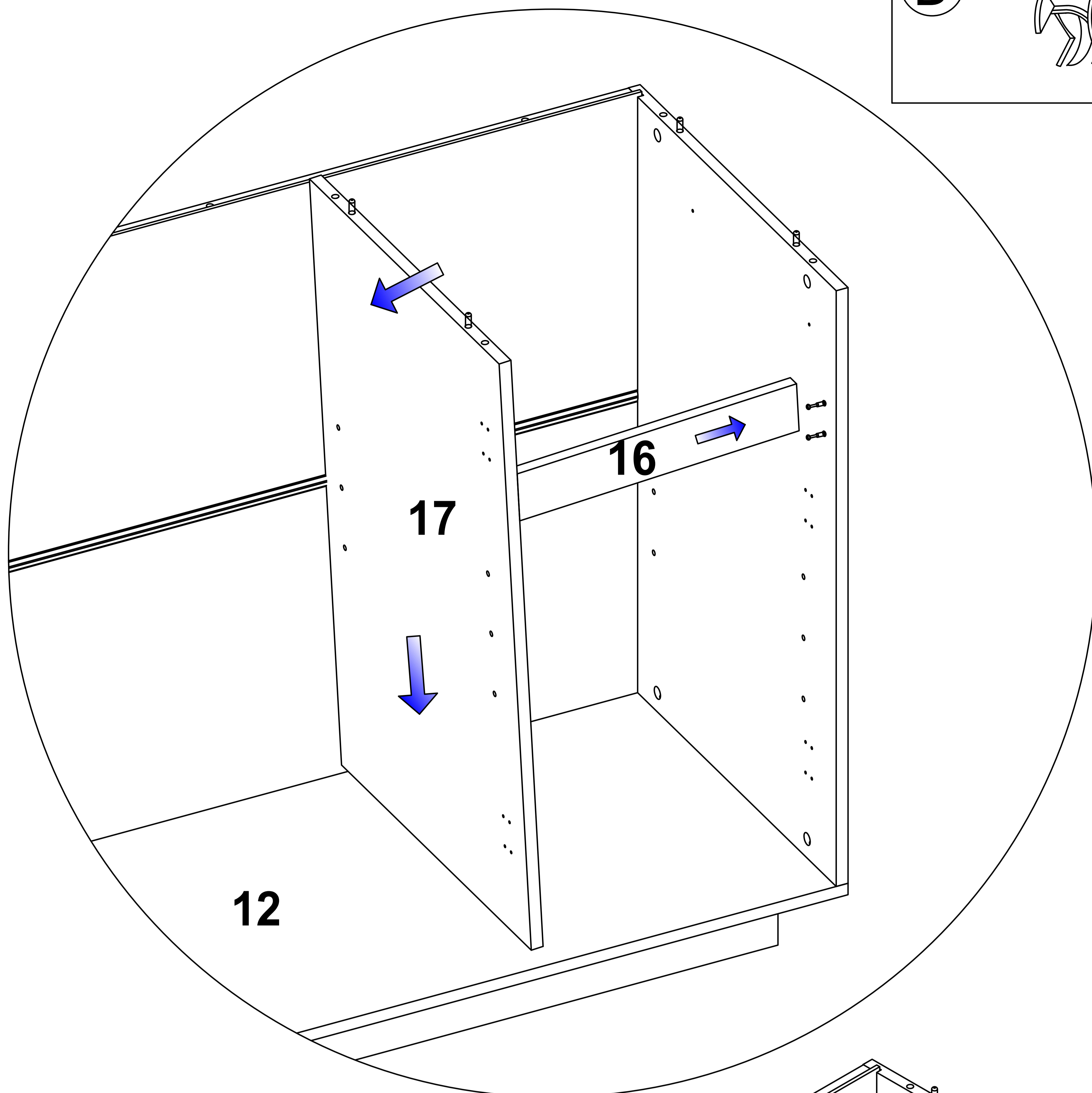
Step 32

B

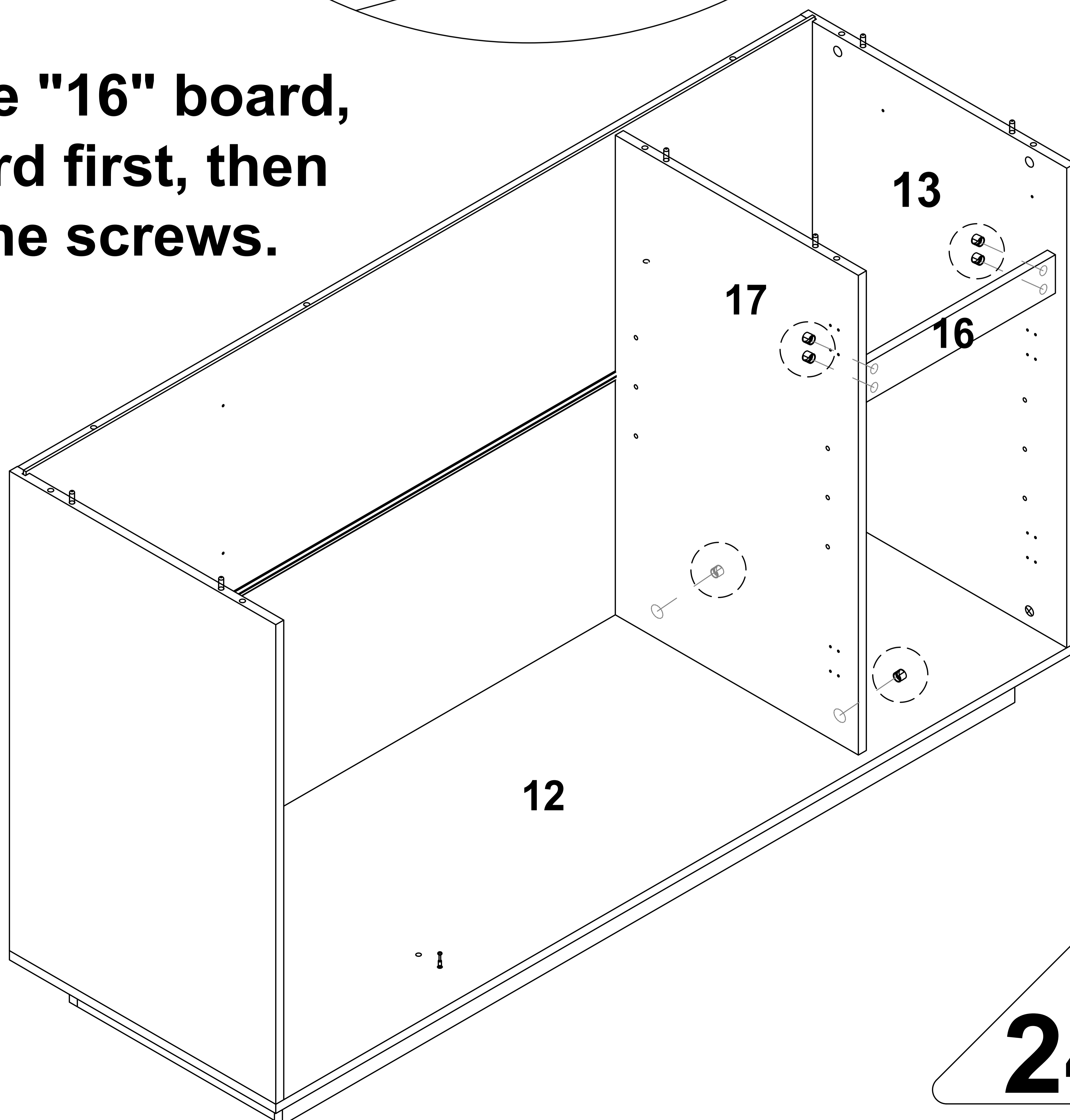


x6

Insert at an angle, align with the holes, and tighten the connector.

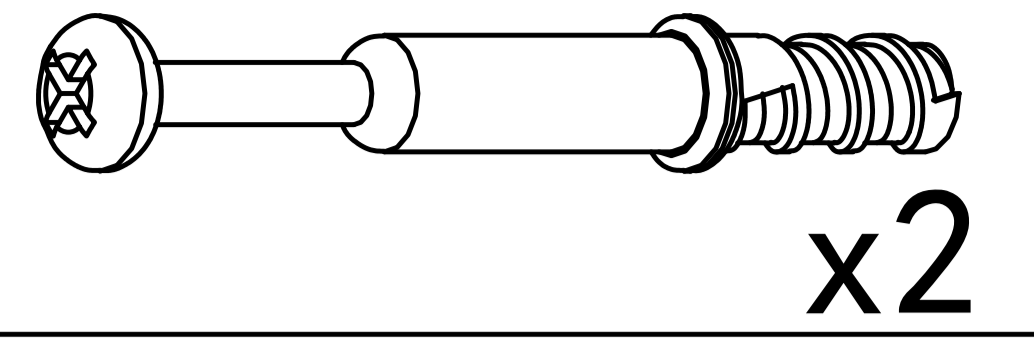


Install the "16" board, "17" board first, then tighten the screws.

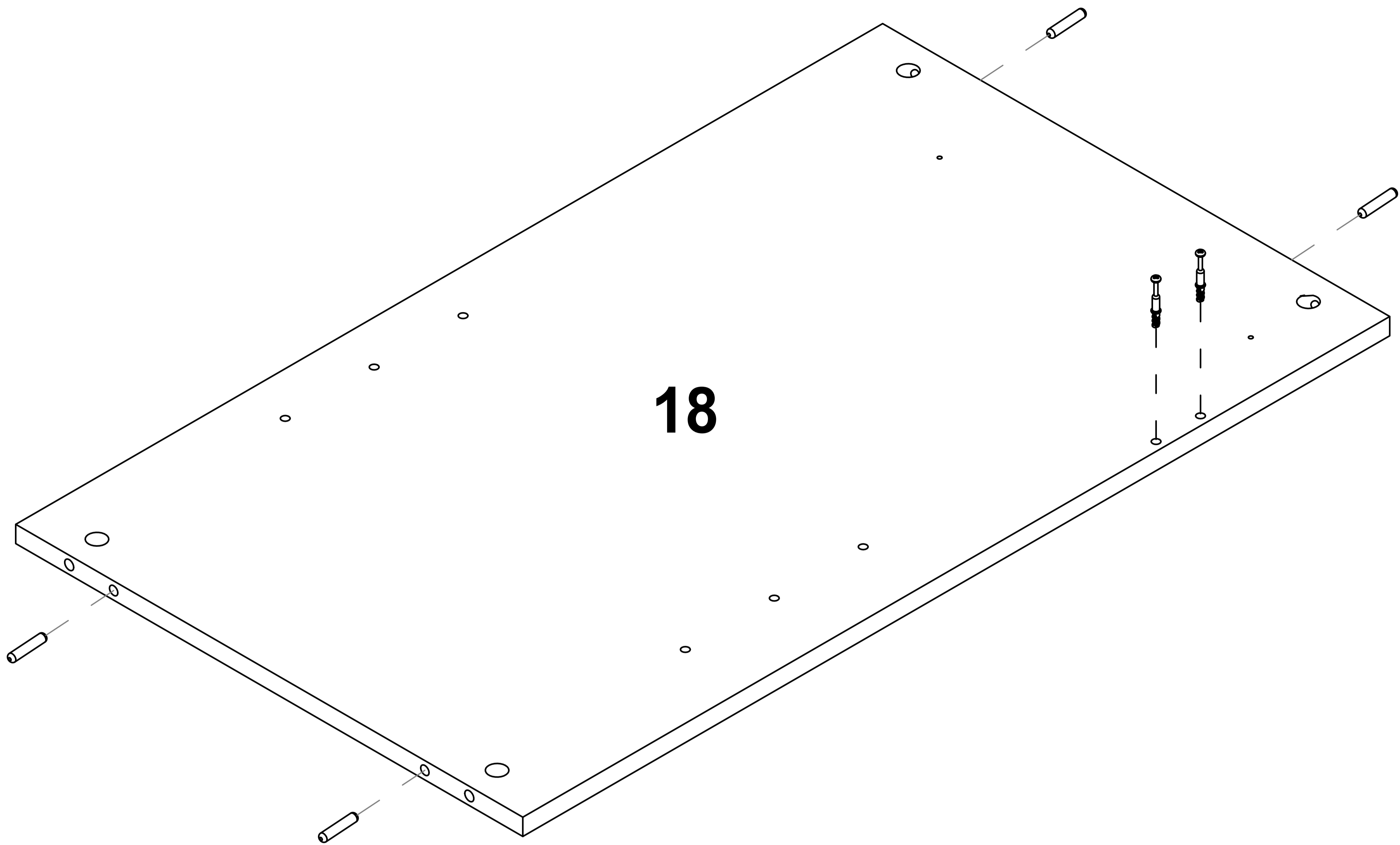
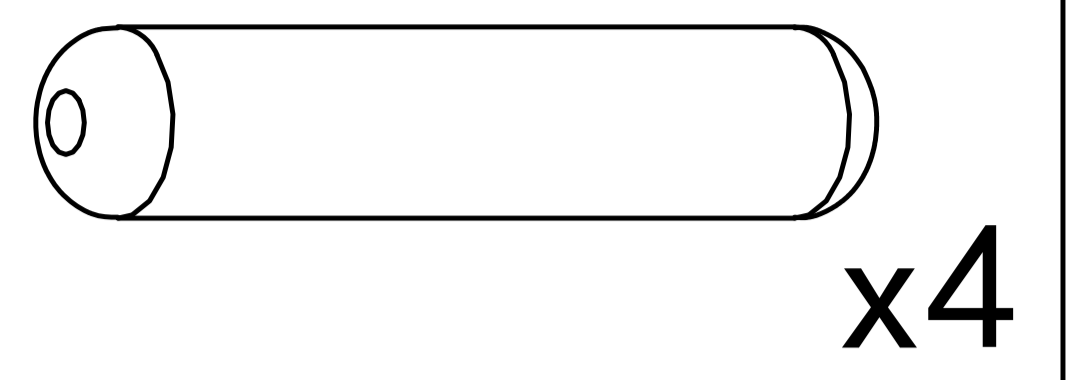


Step 33

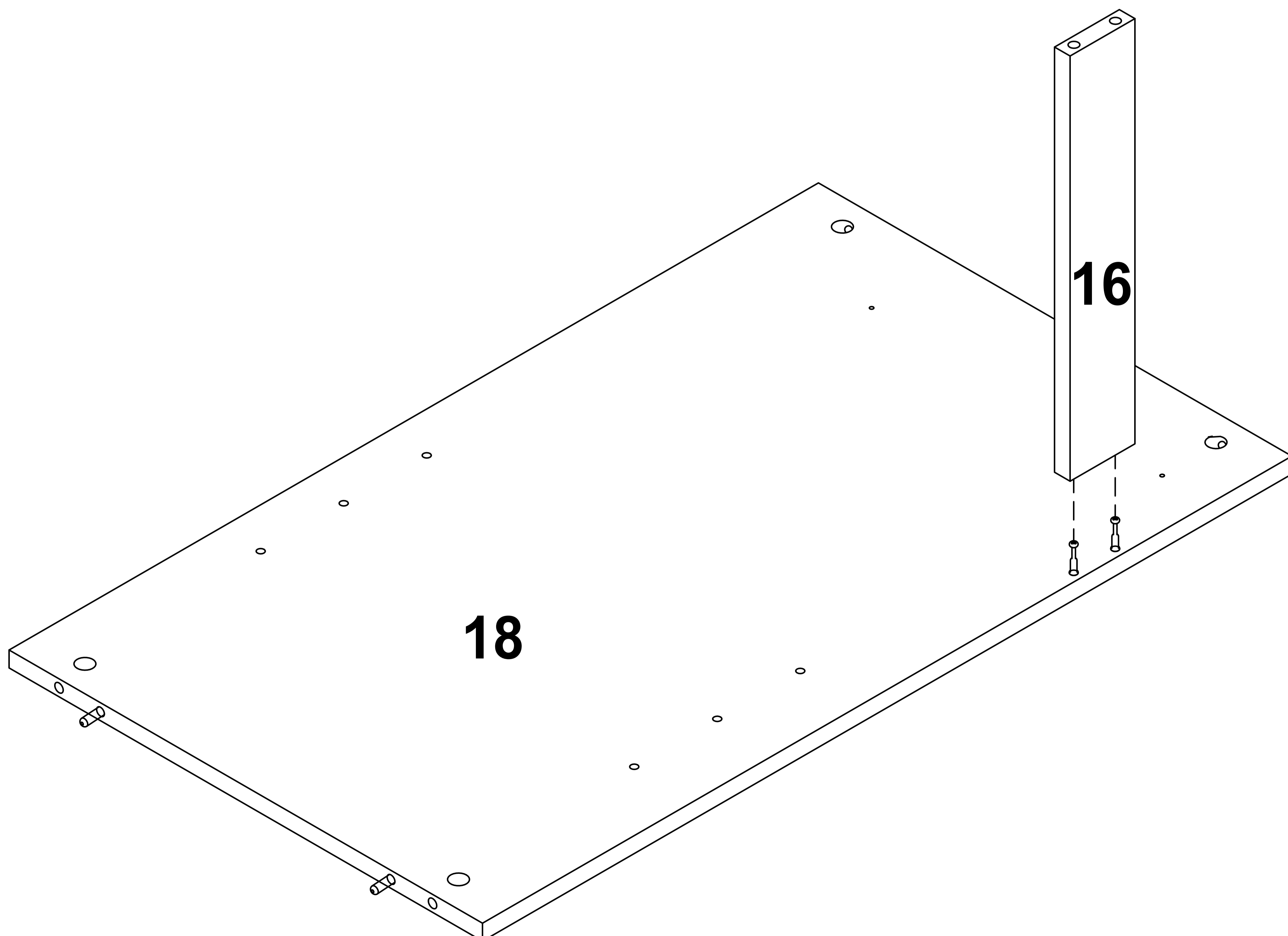
A



C



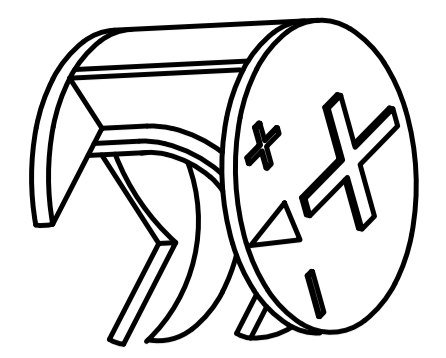
Step 34



25

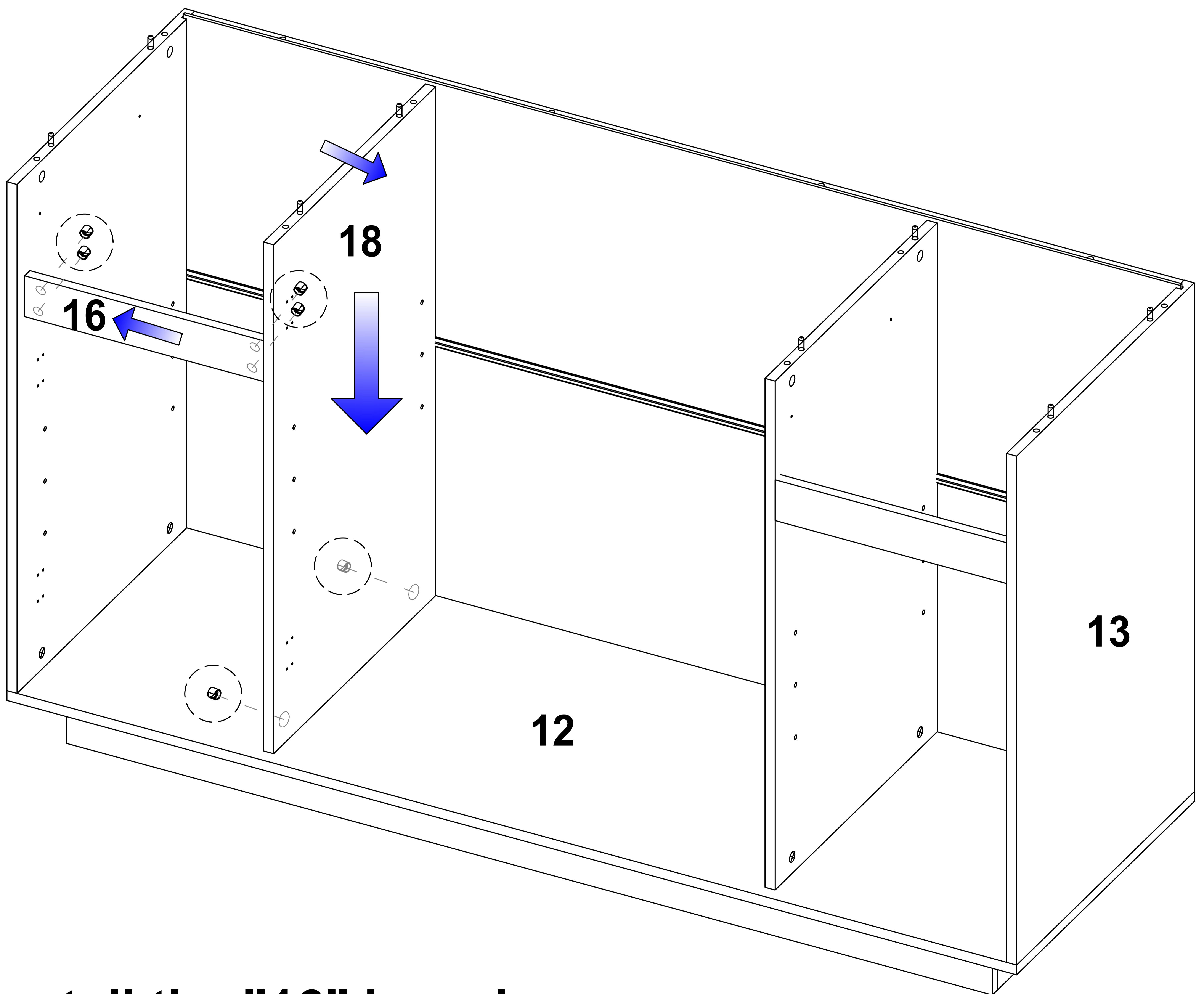
Step 35

B



x6

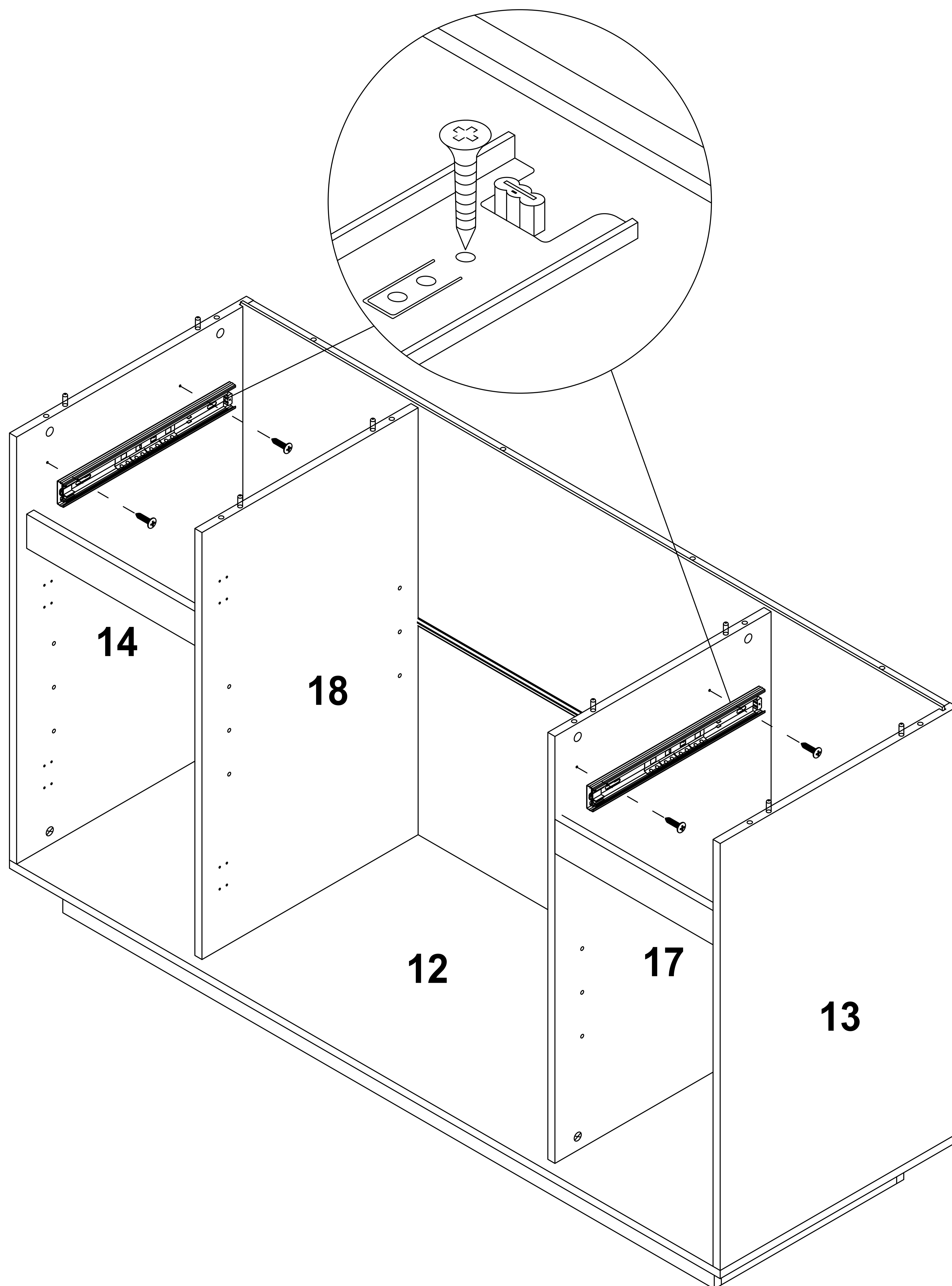
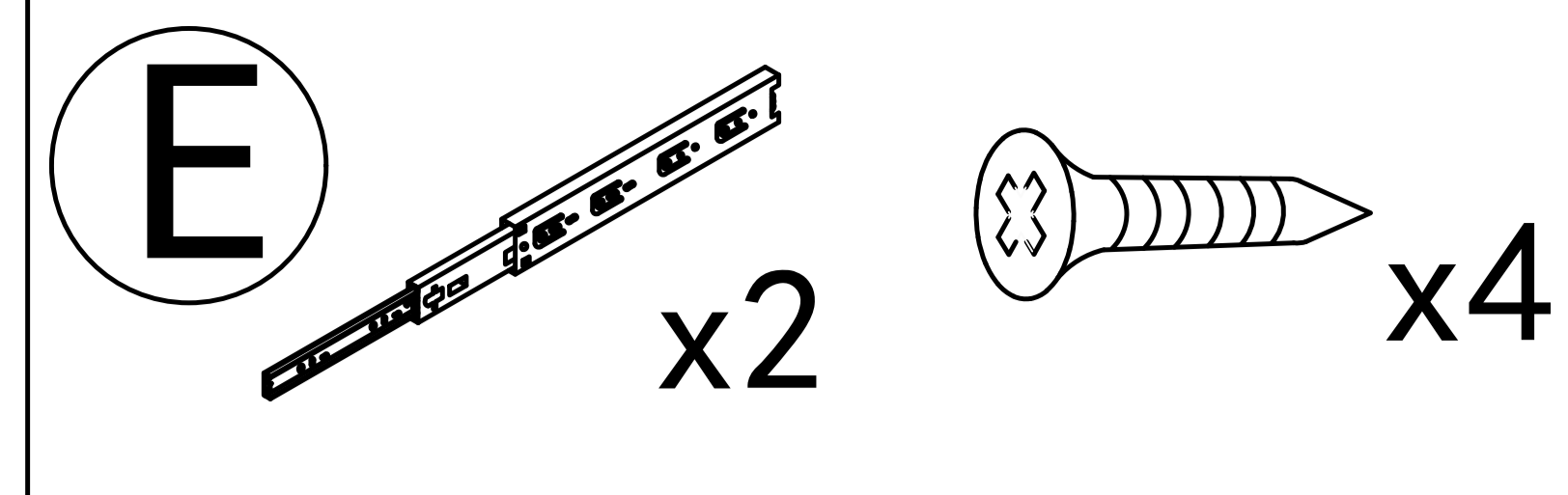
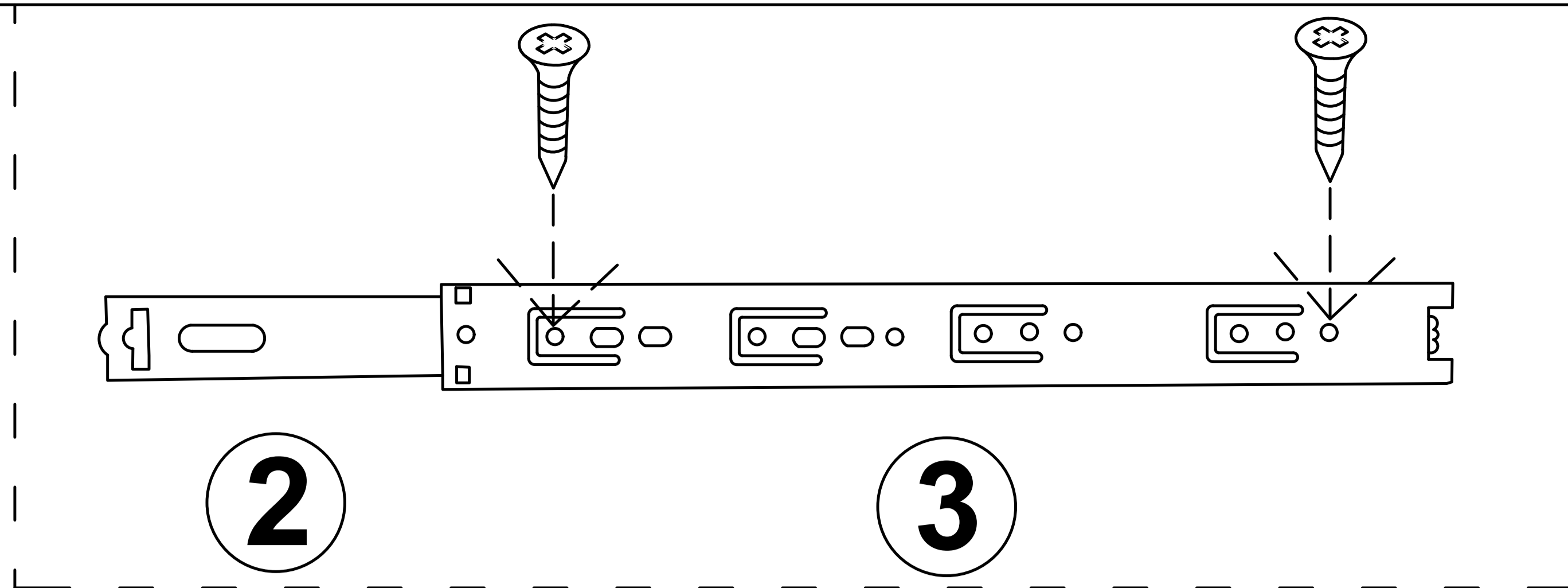
Insert at an angle, align with the holes, and tighten the connector.



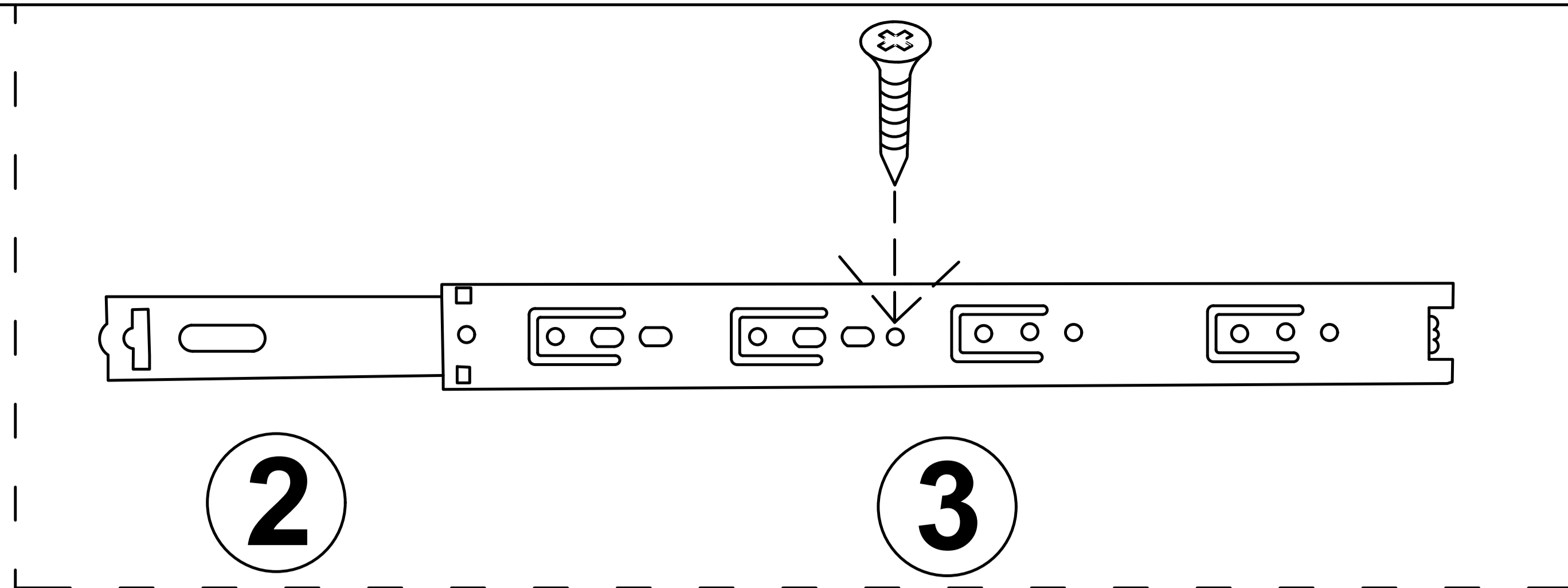
Install the "16" board, "18" board first, then tighten the screws.

26

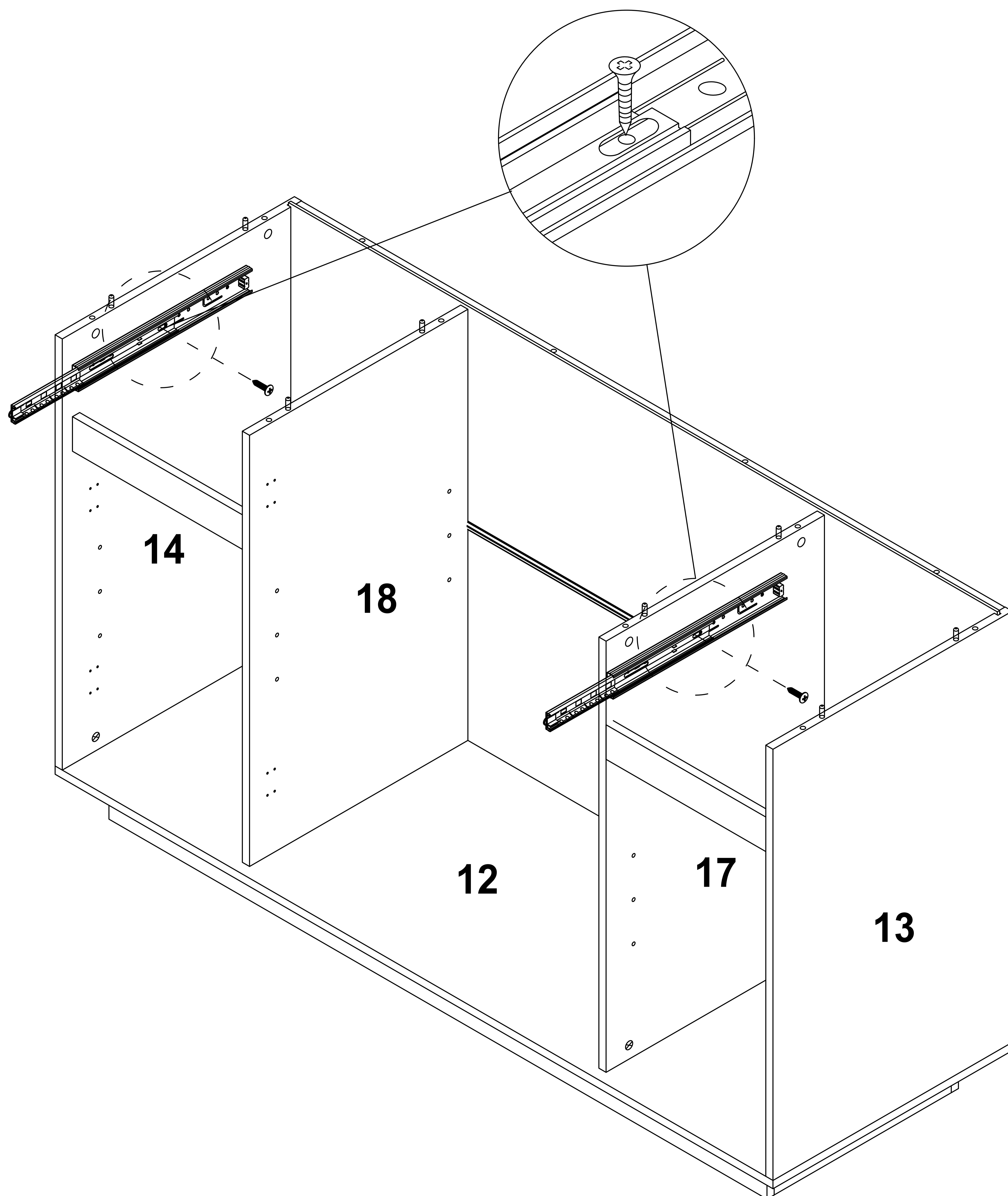
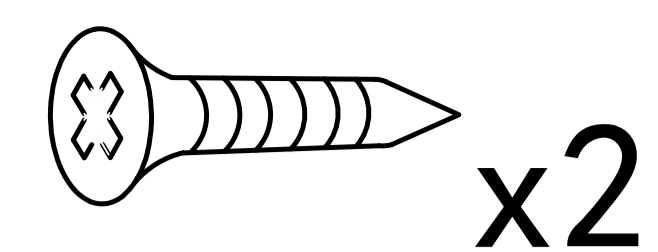
Step 36



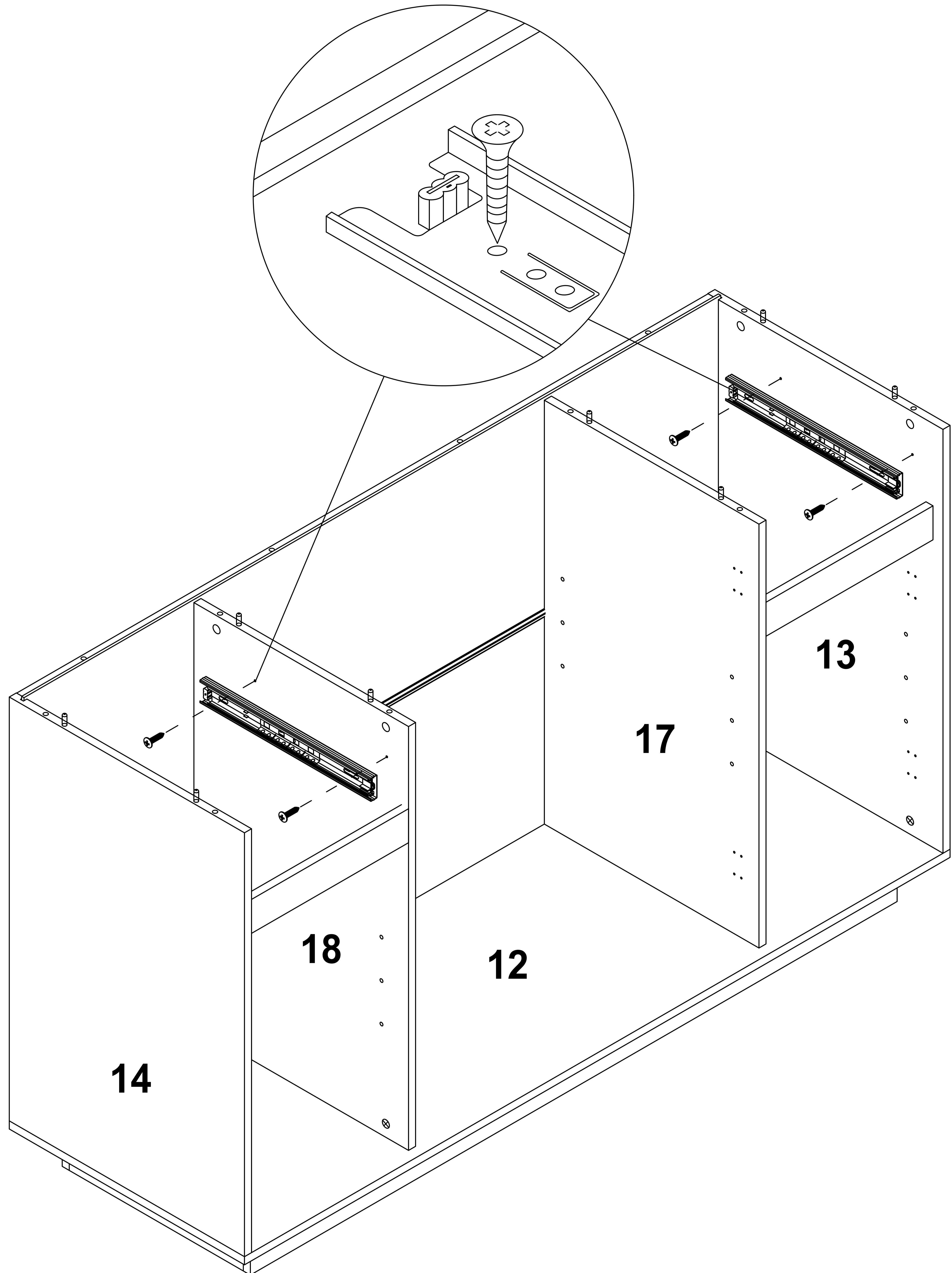
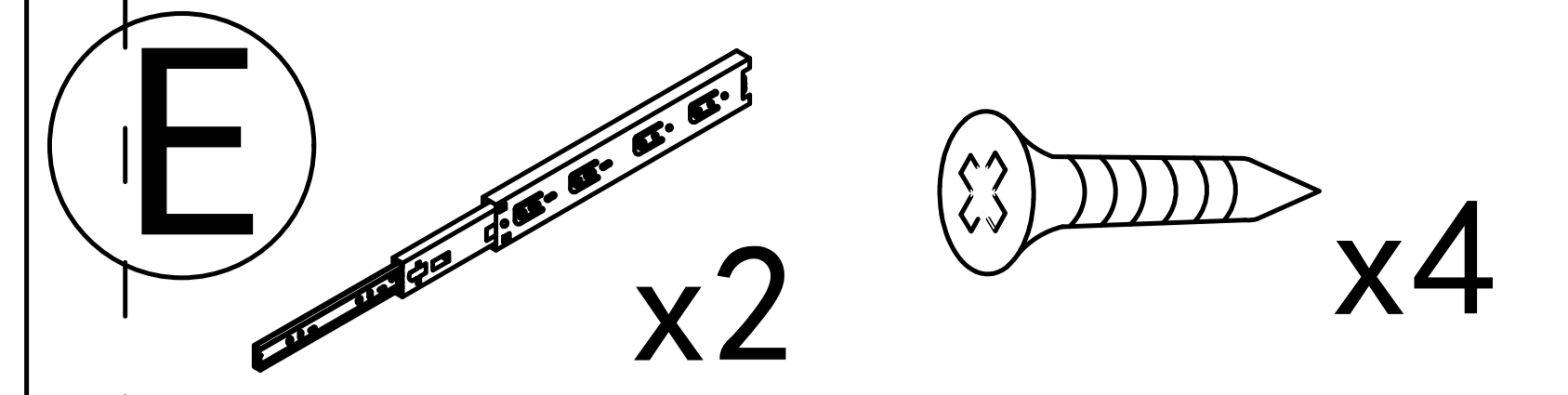
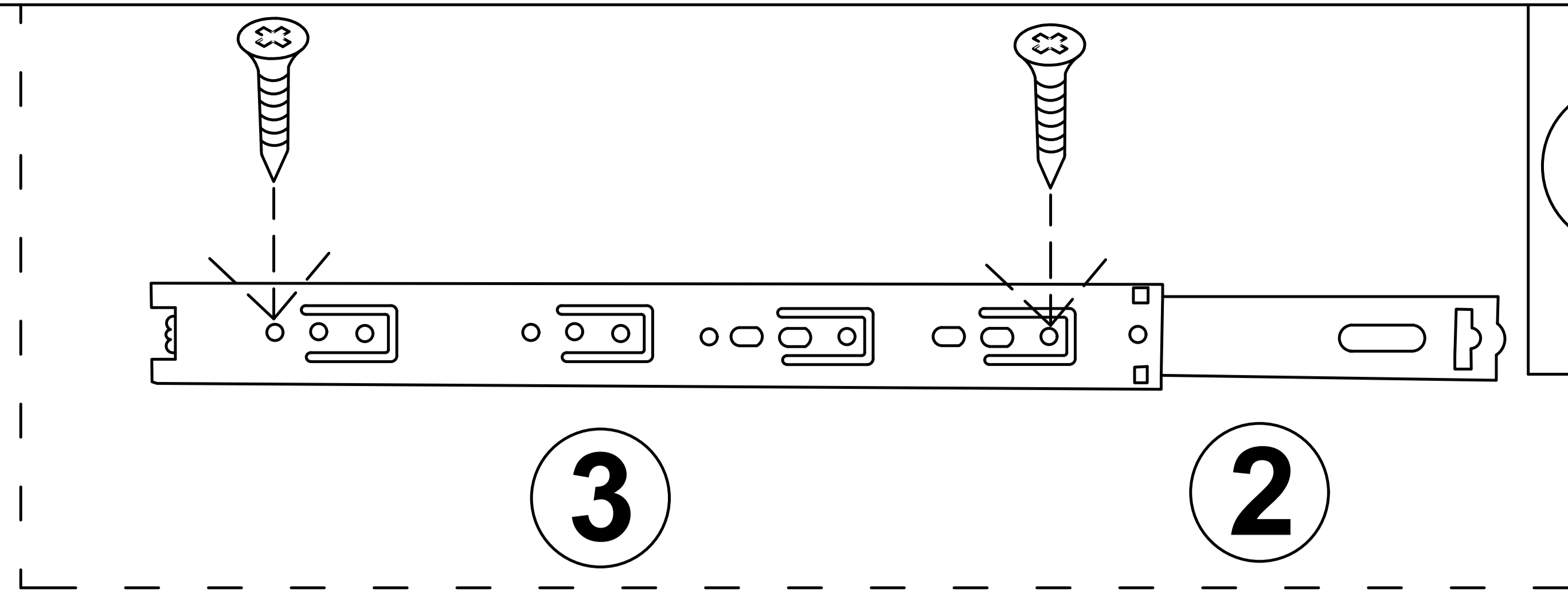
Step 37



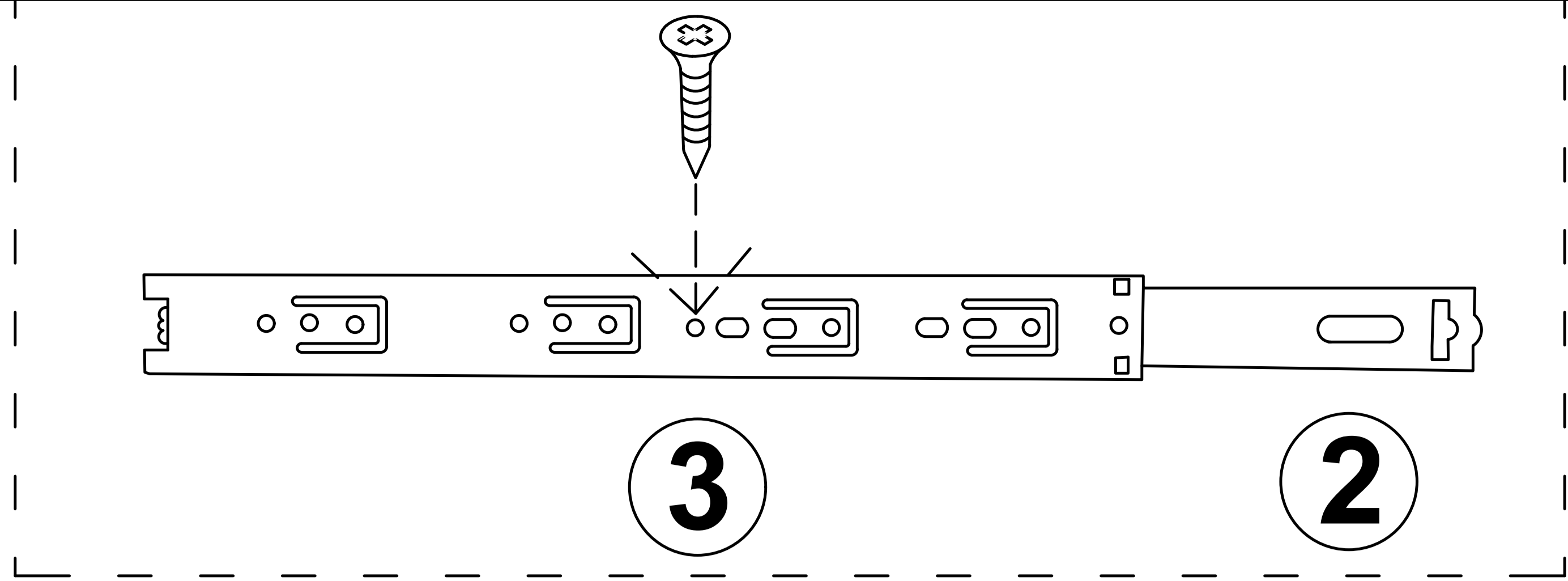
E



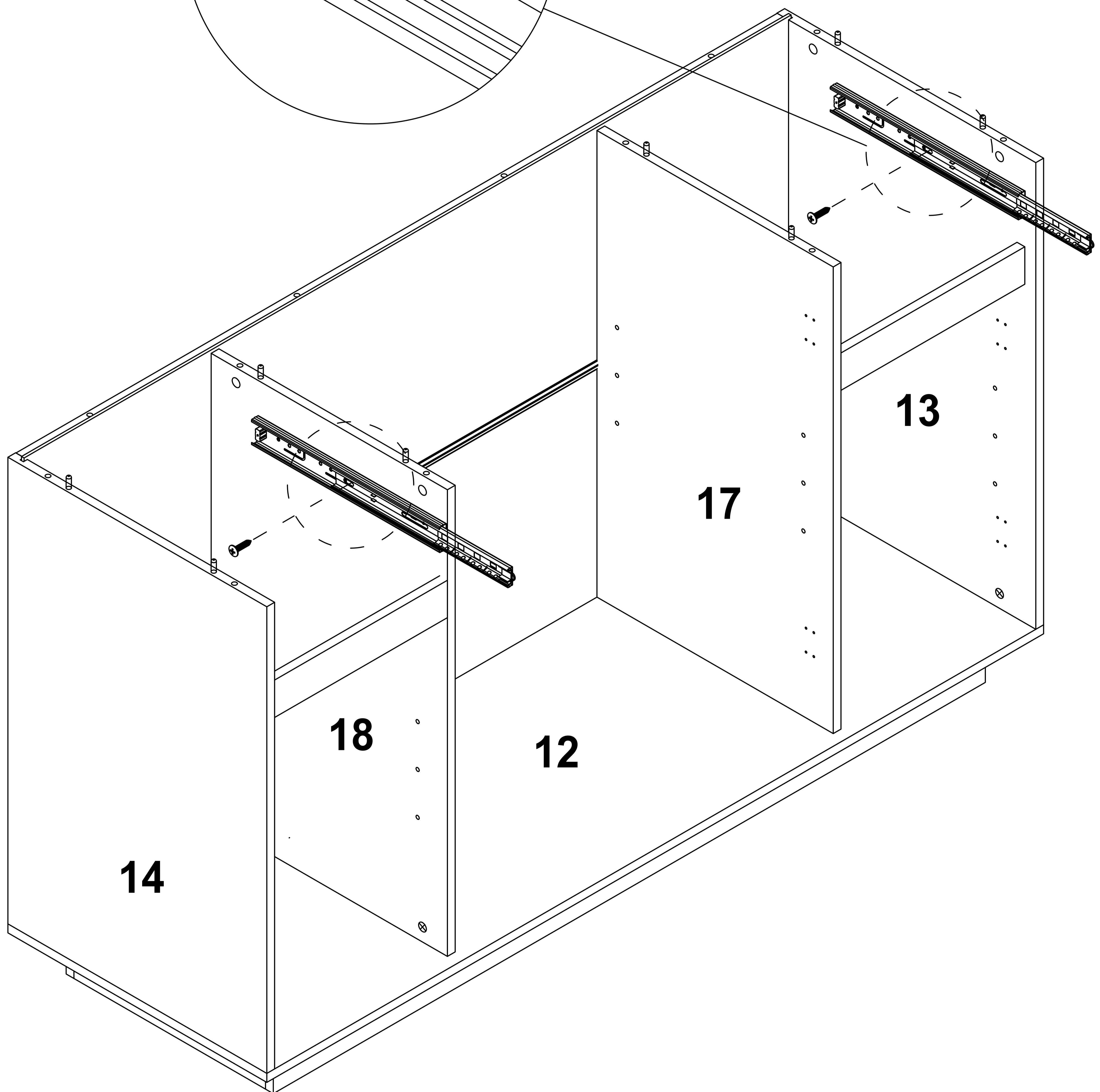
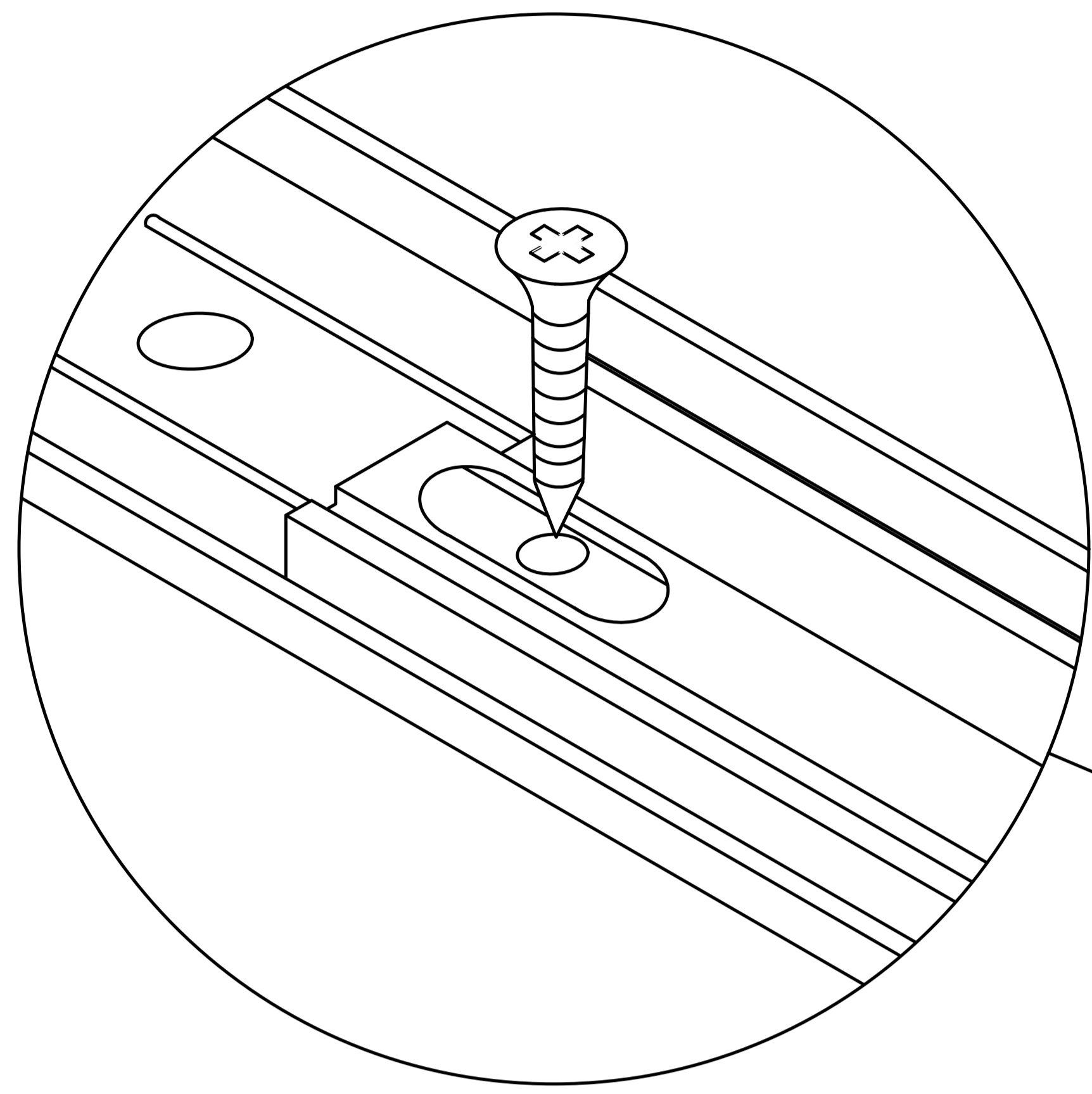
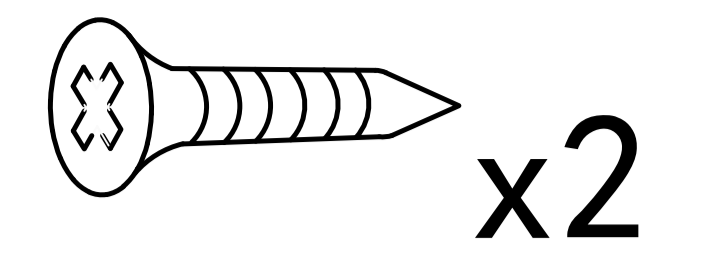
Step 38



Step 39

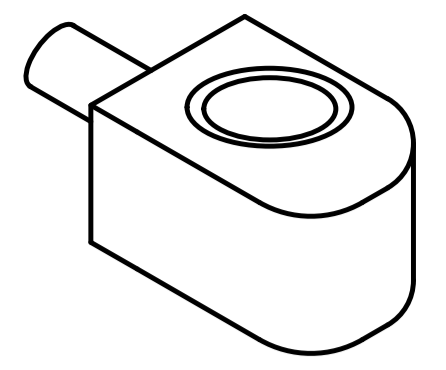


E

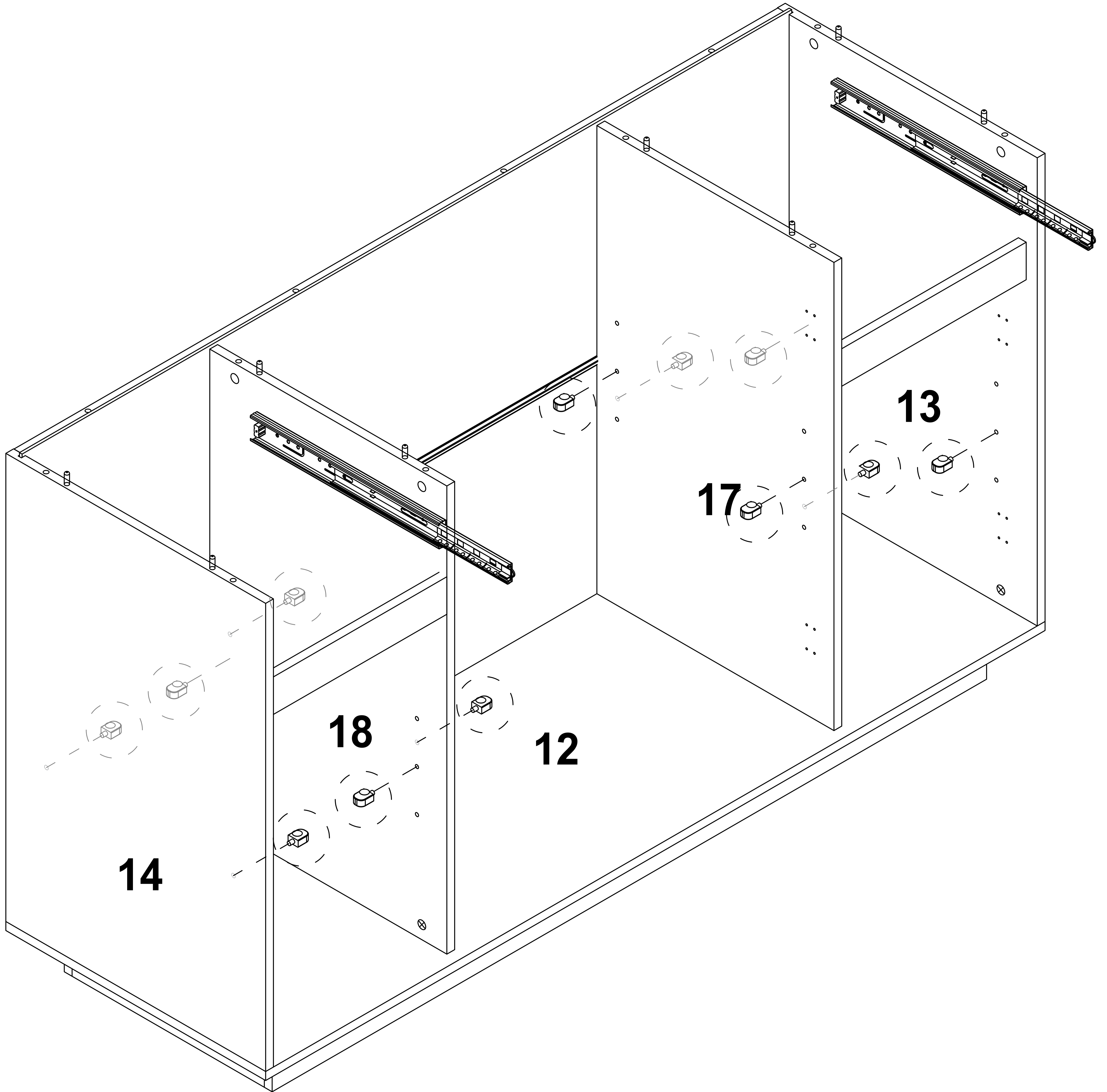


Step 40

F

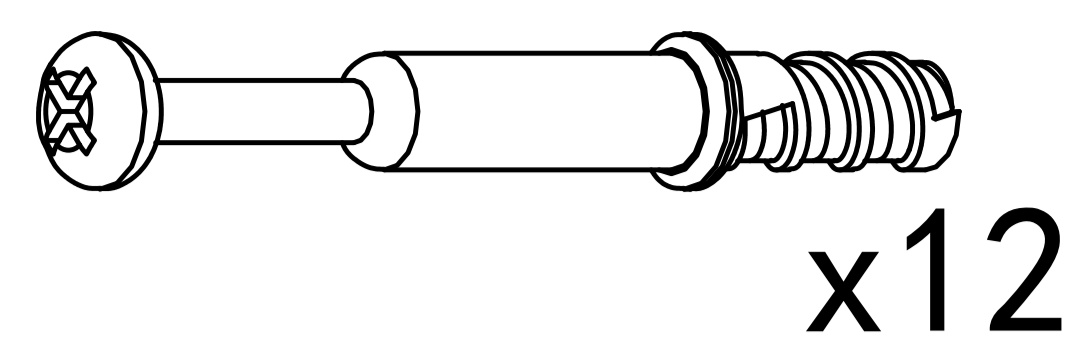


x12

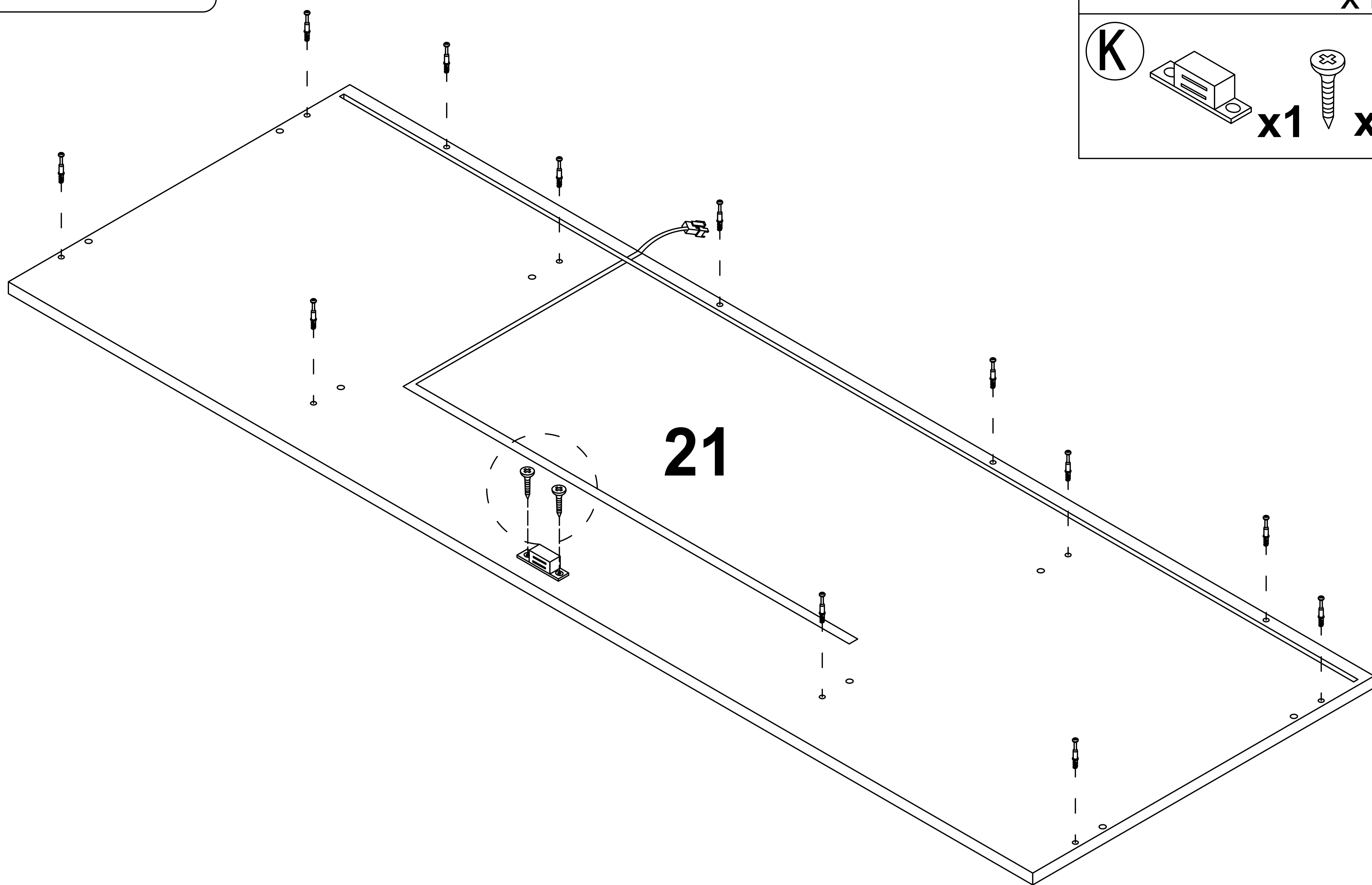
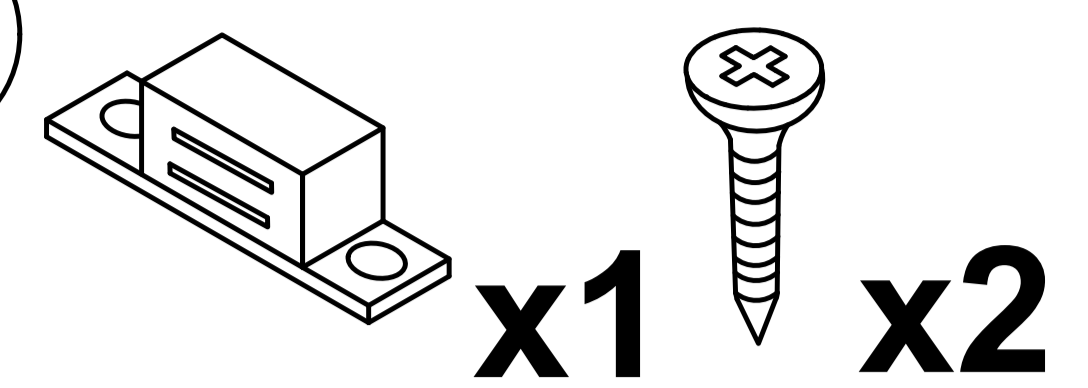


Step 41

A

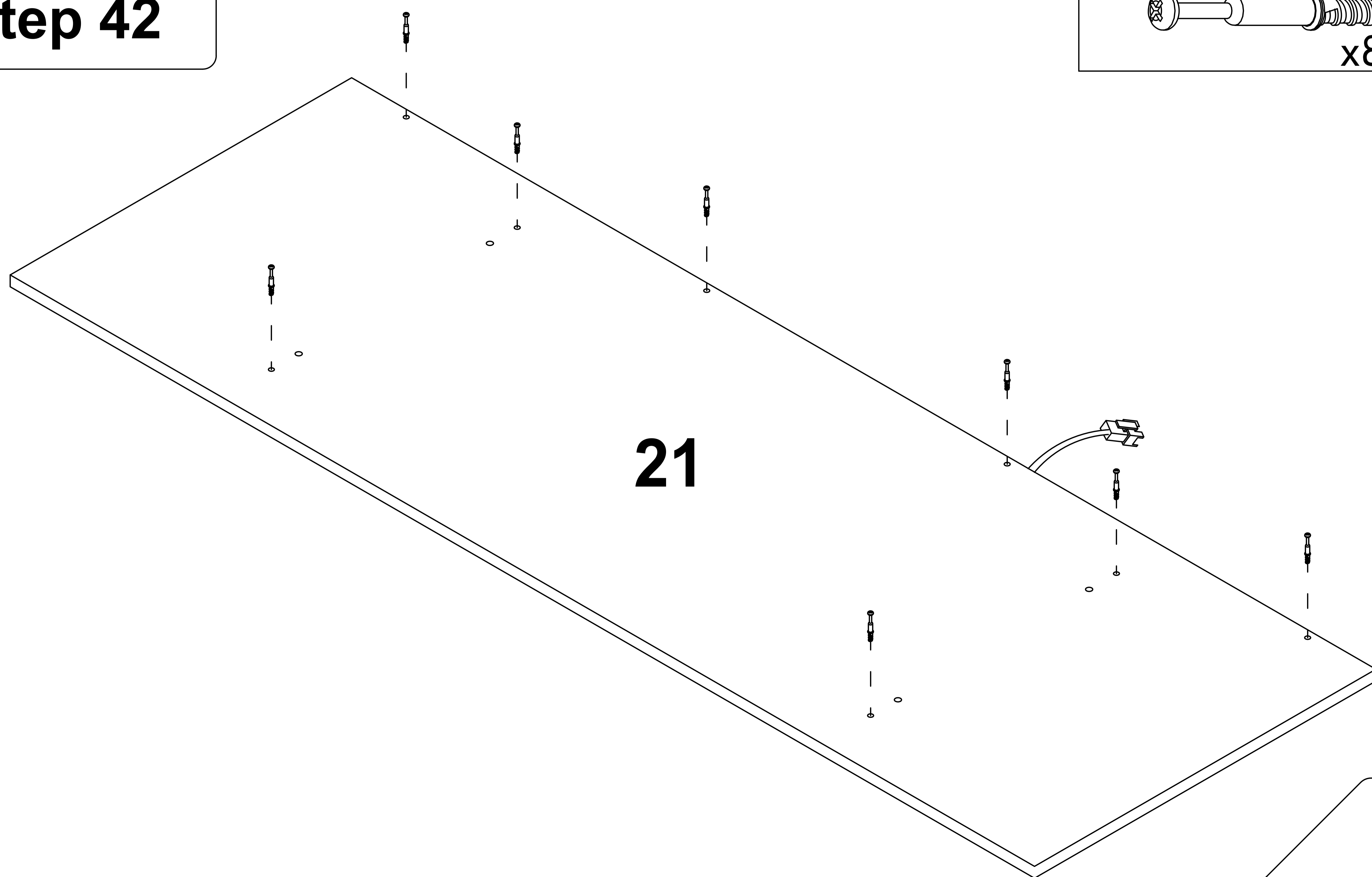
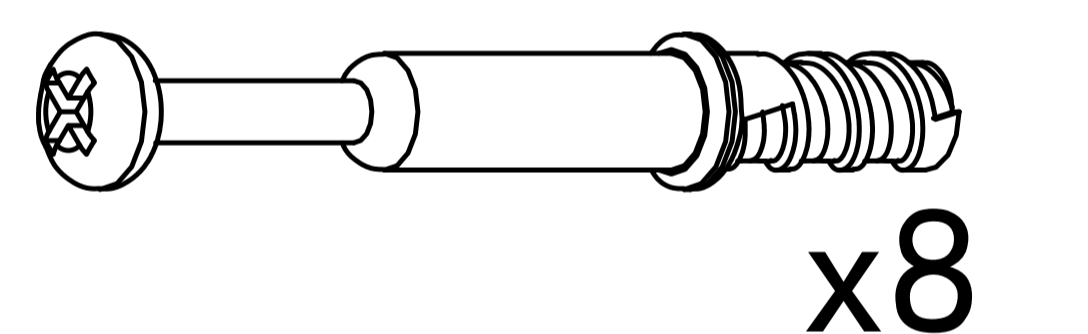


K



Step 42

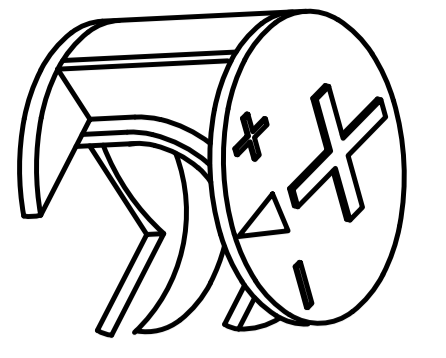
A



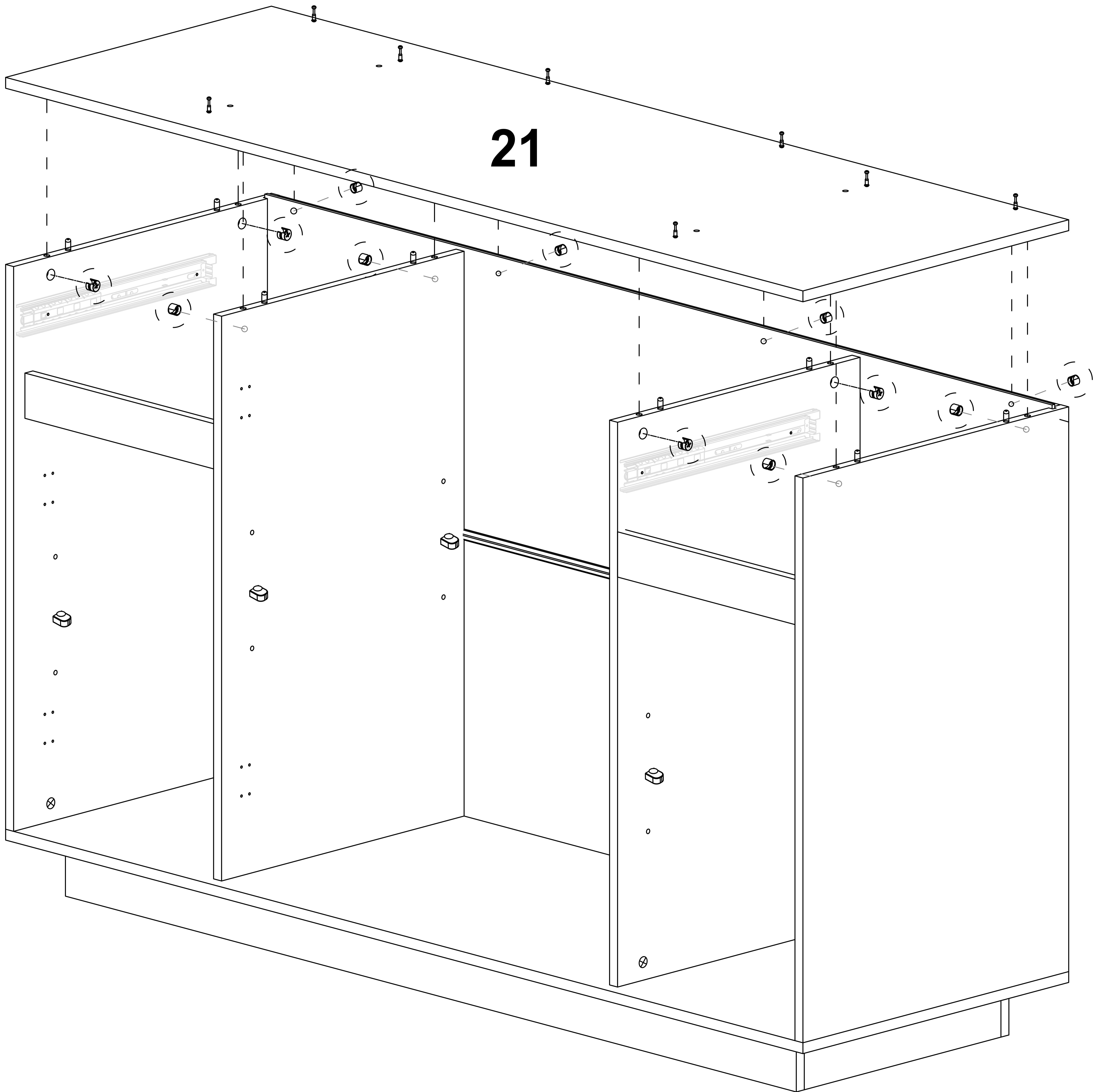
32

Step 43

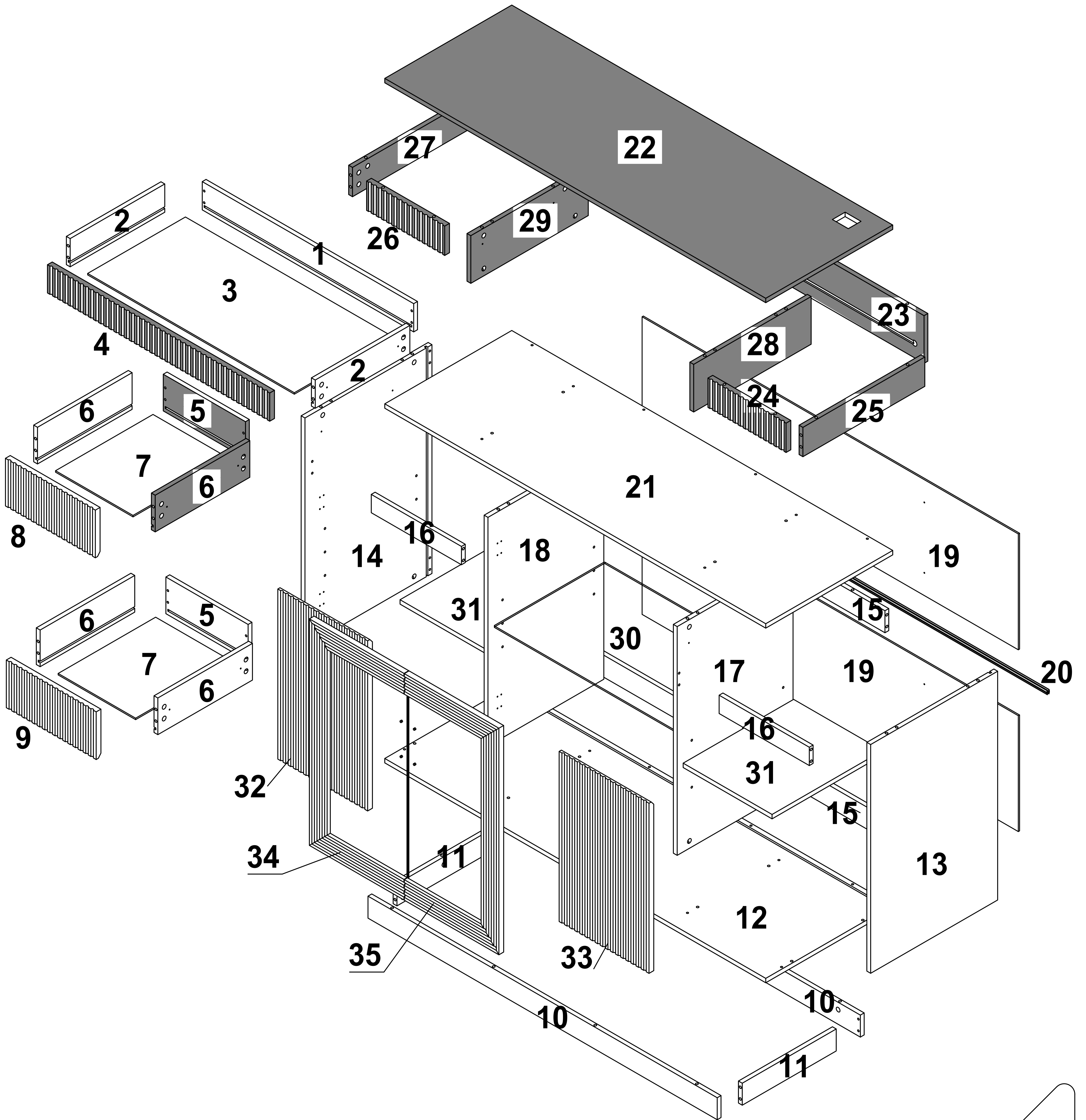
B



x12

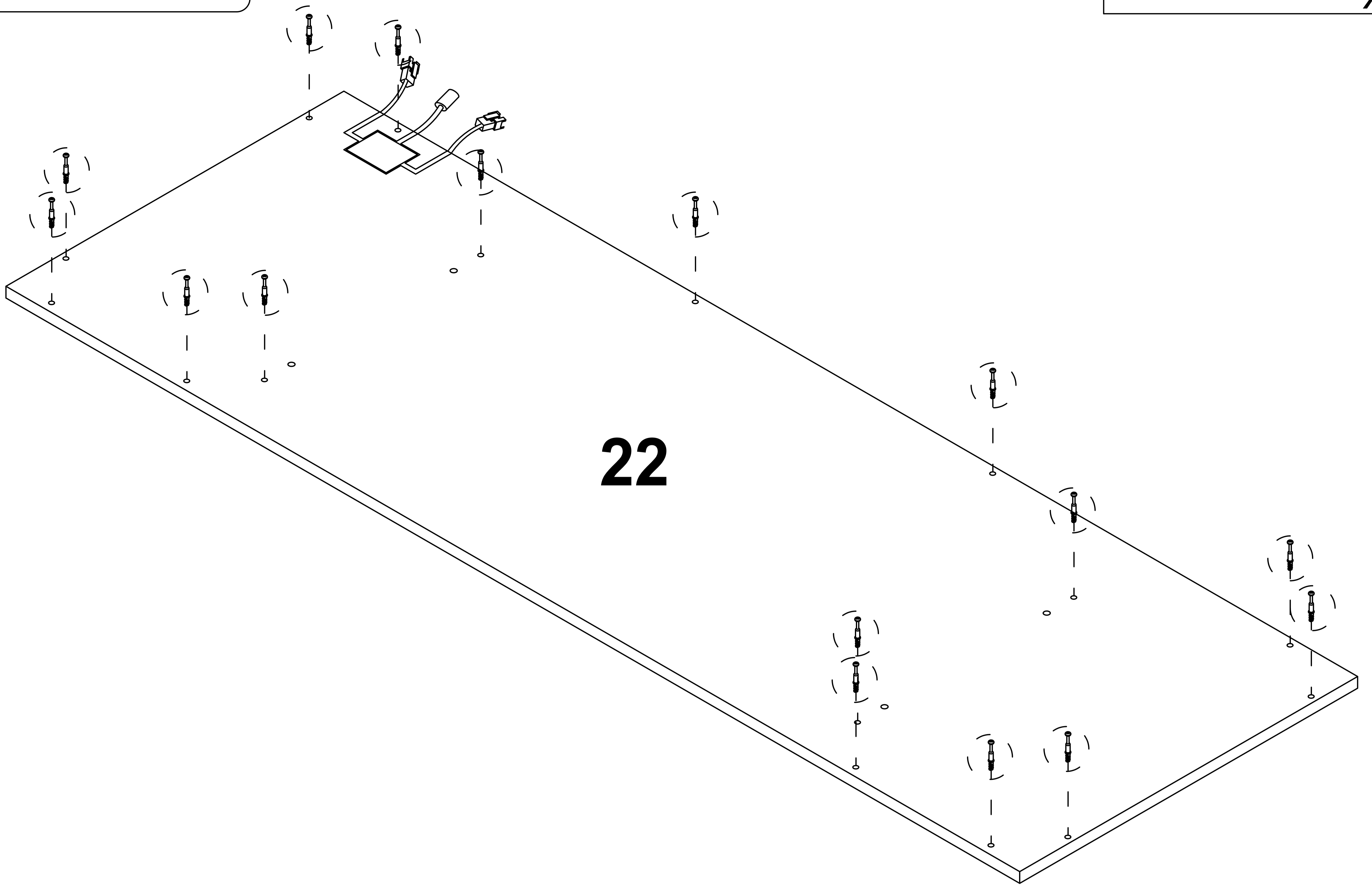
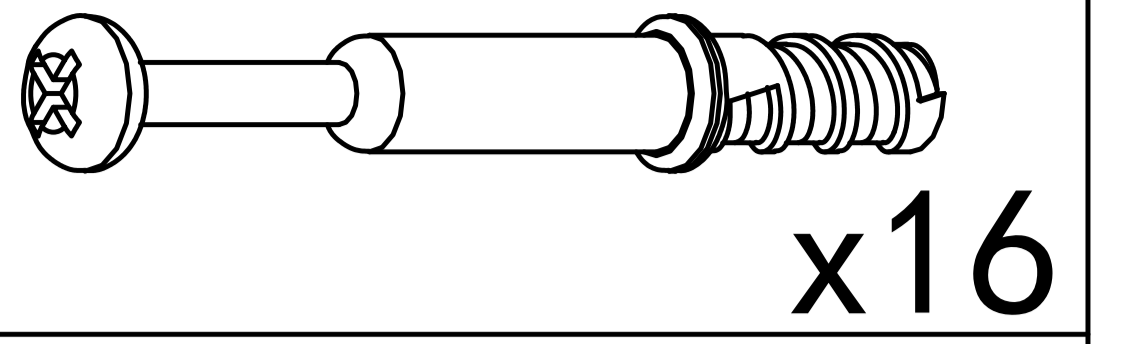


Product structure decomposition



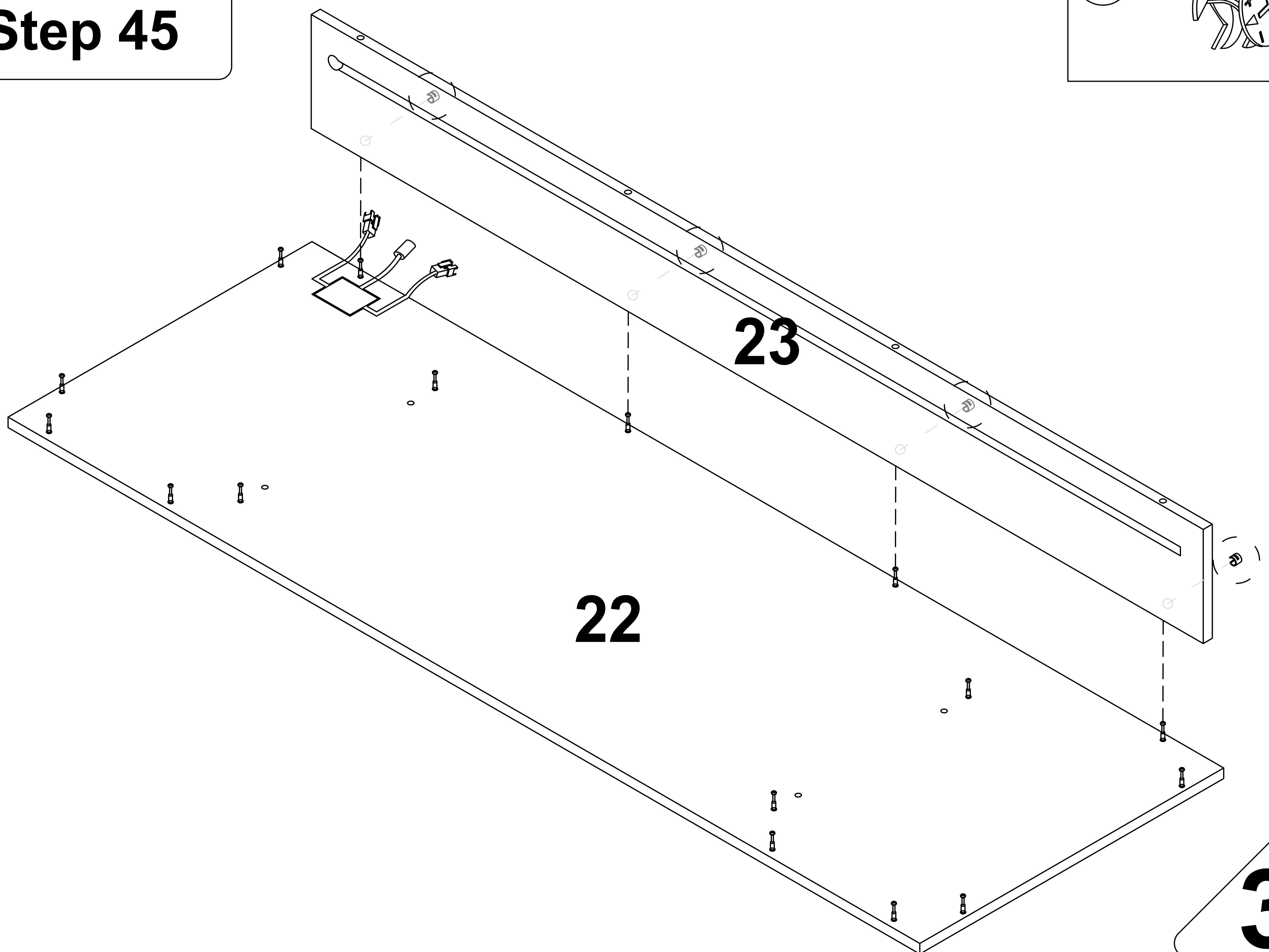
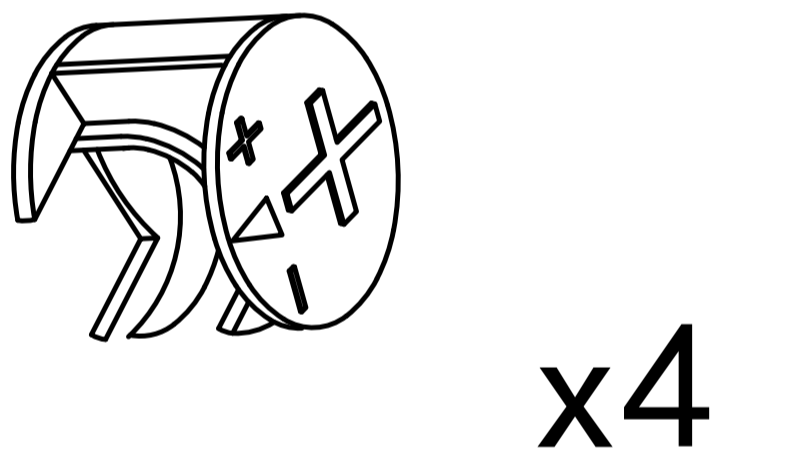
Step 44

A



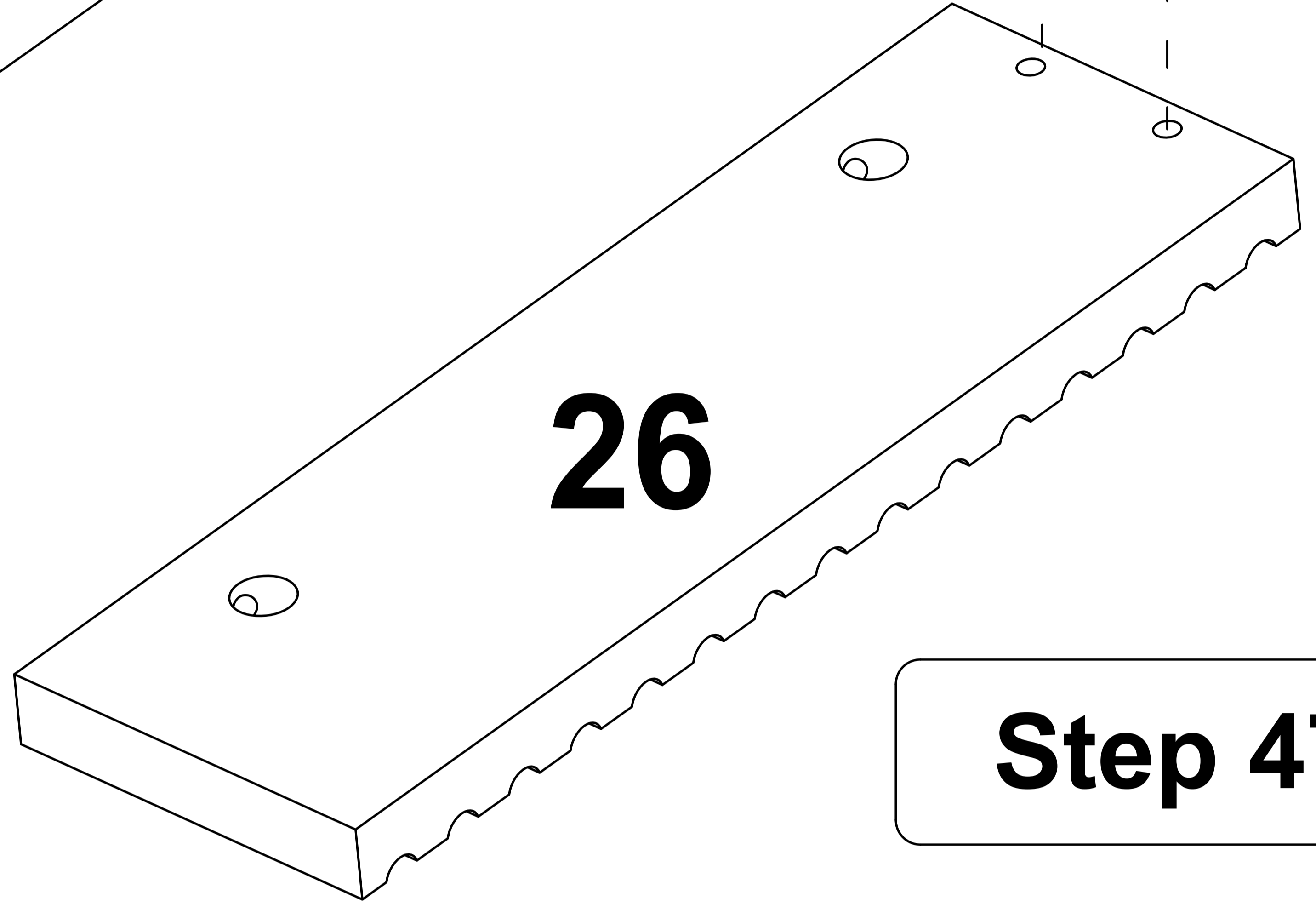
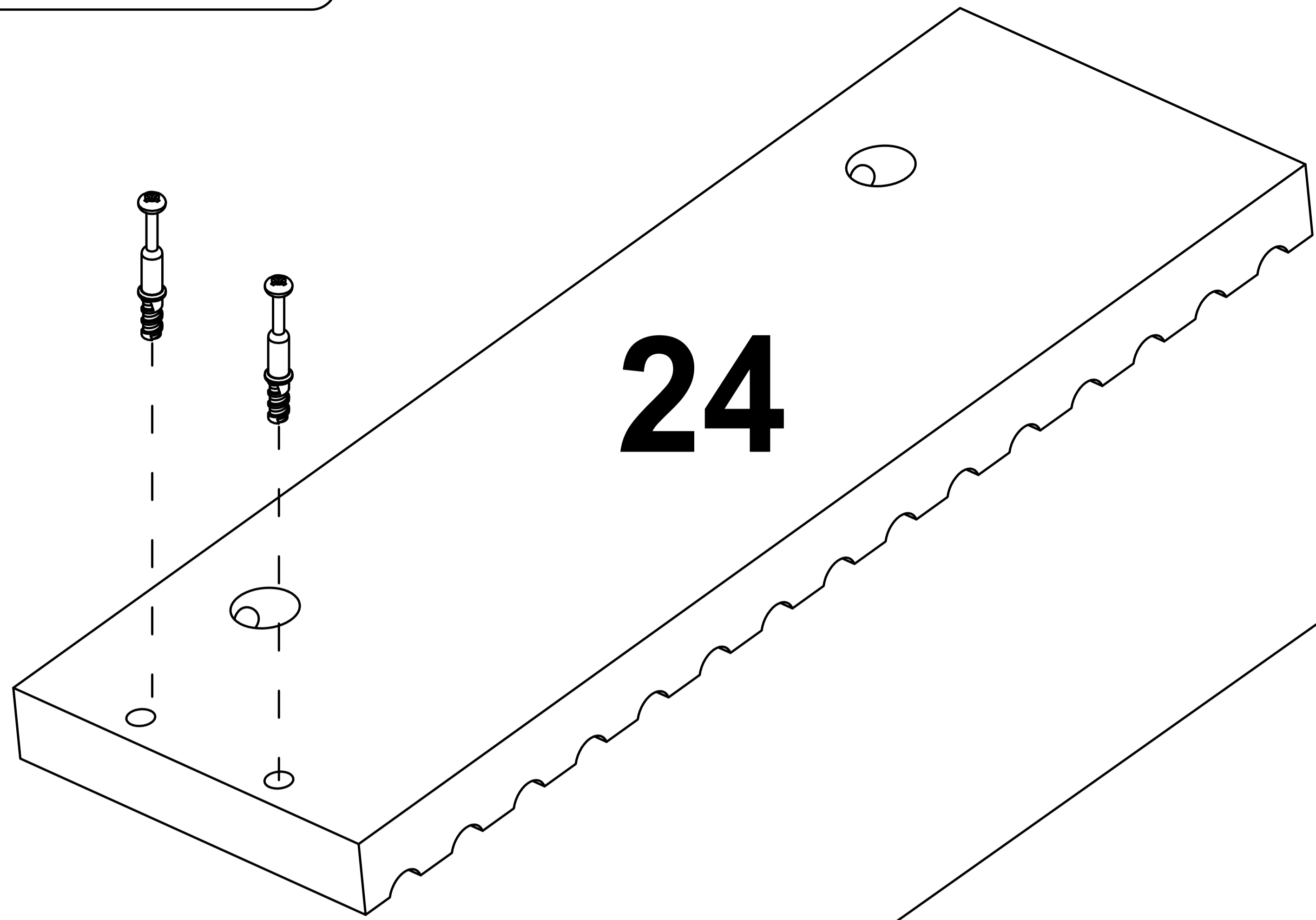
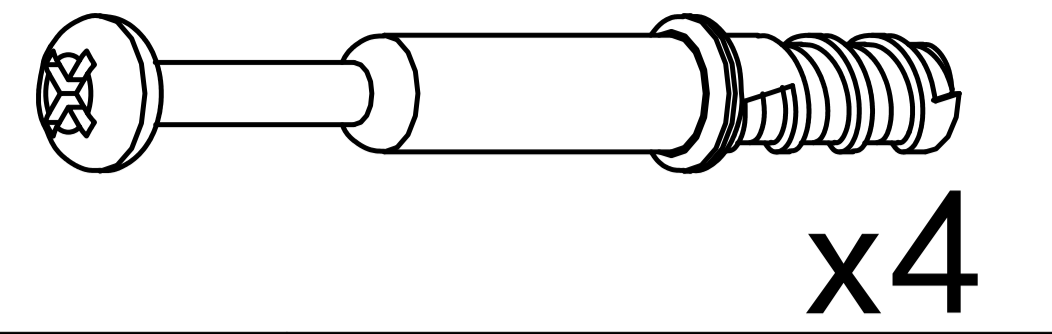
Step 45

B



Step 46

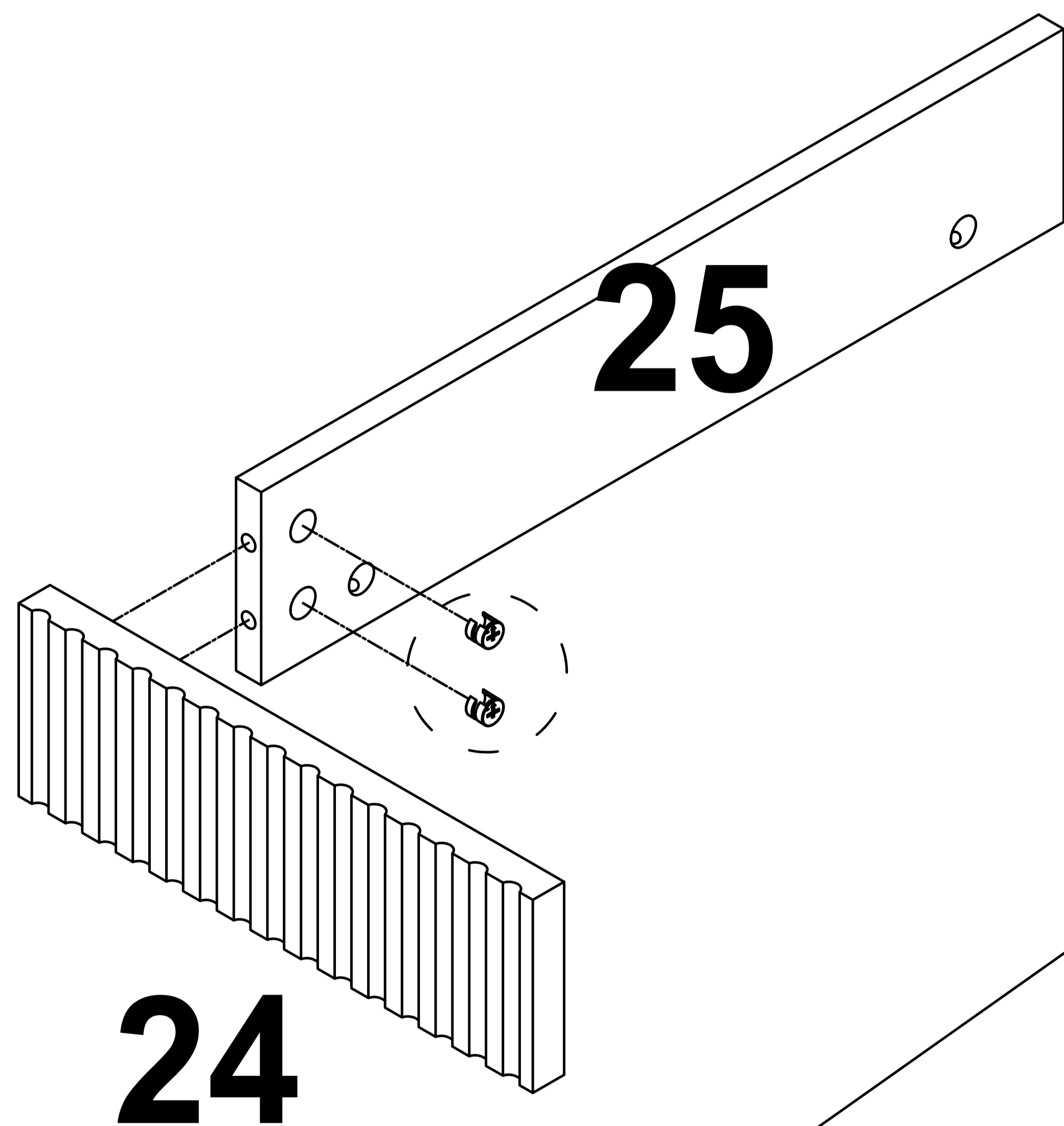
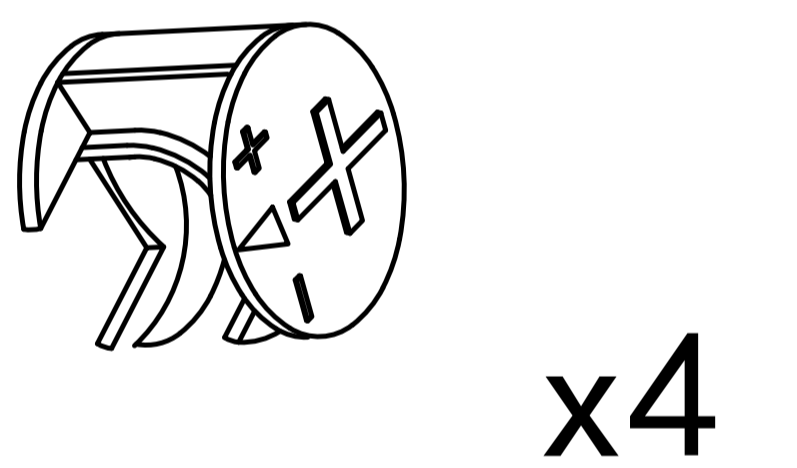
A



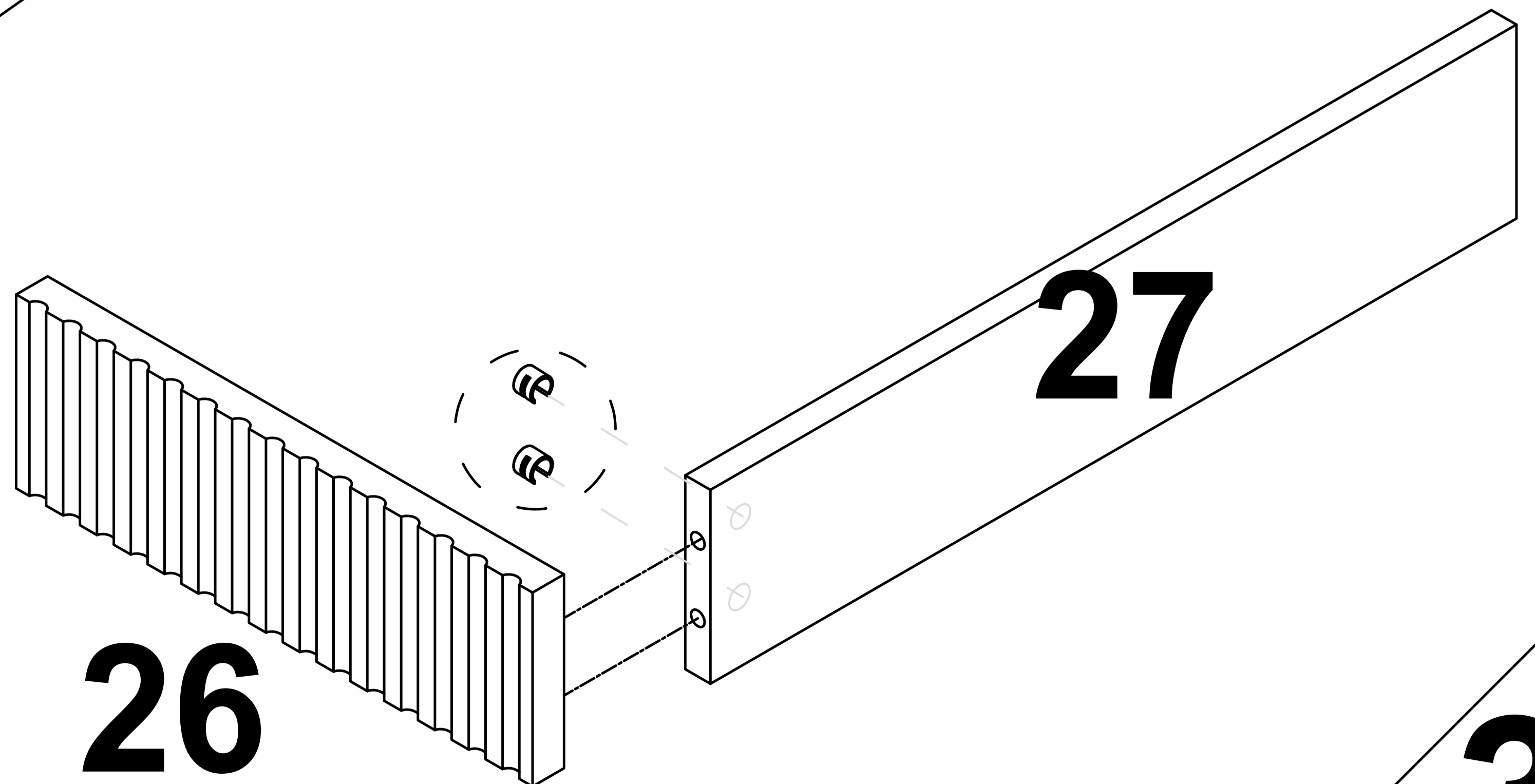
Step 47

Step 48

B

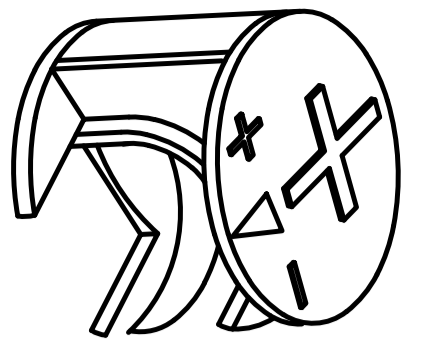


Step 49

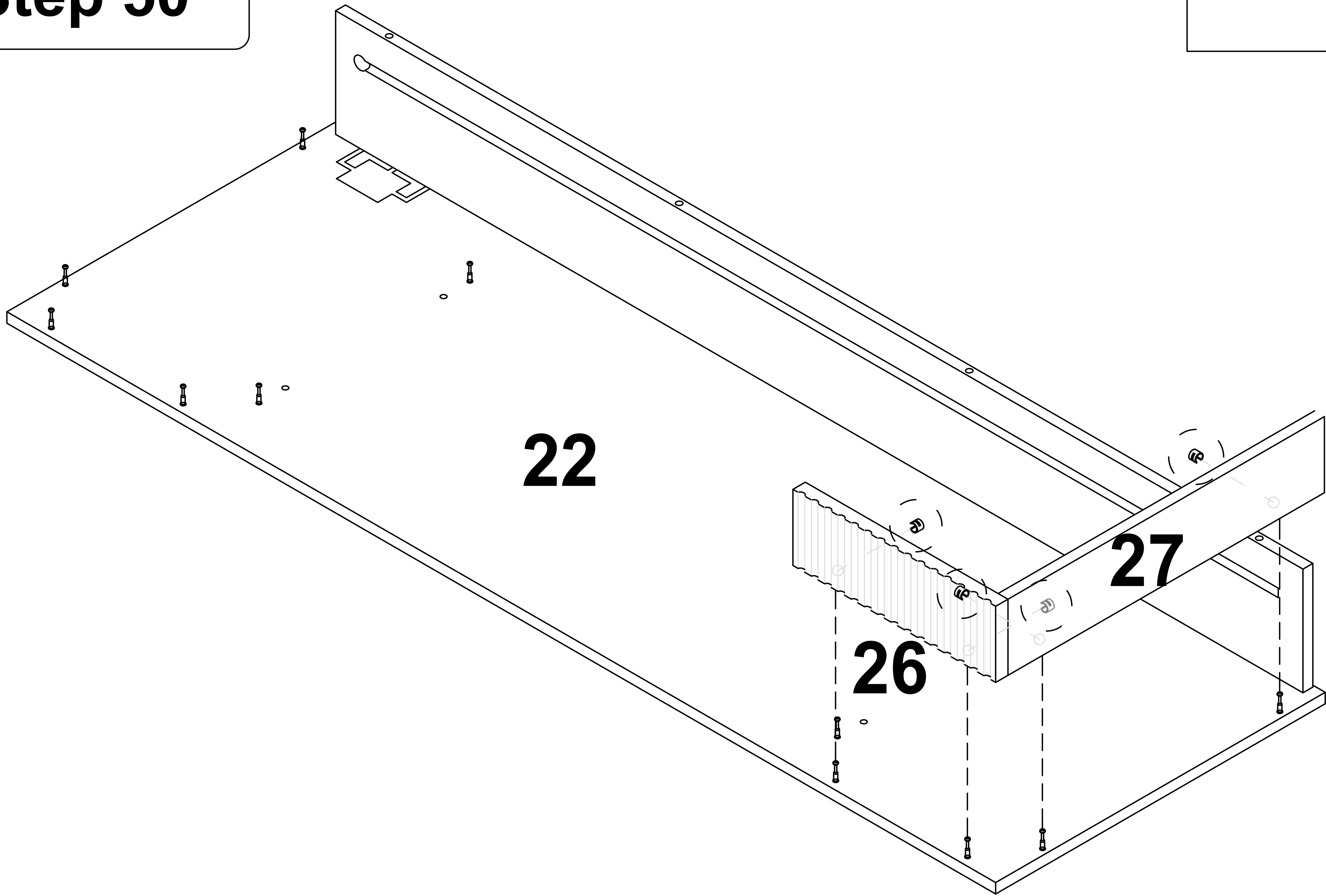


Step 50

B

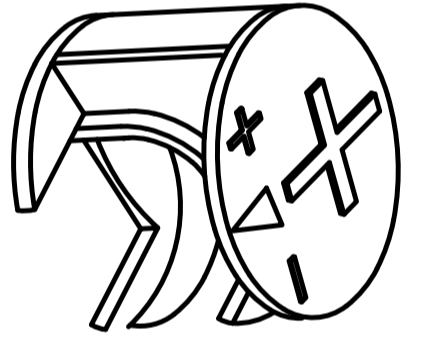


x4

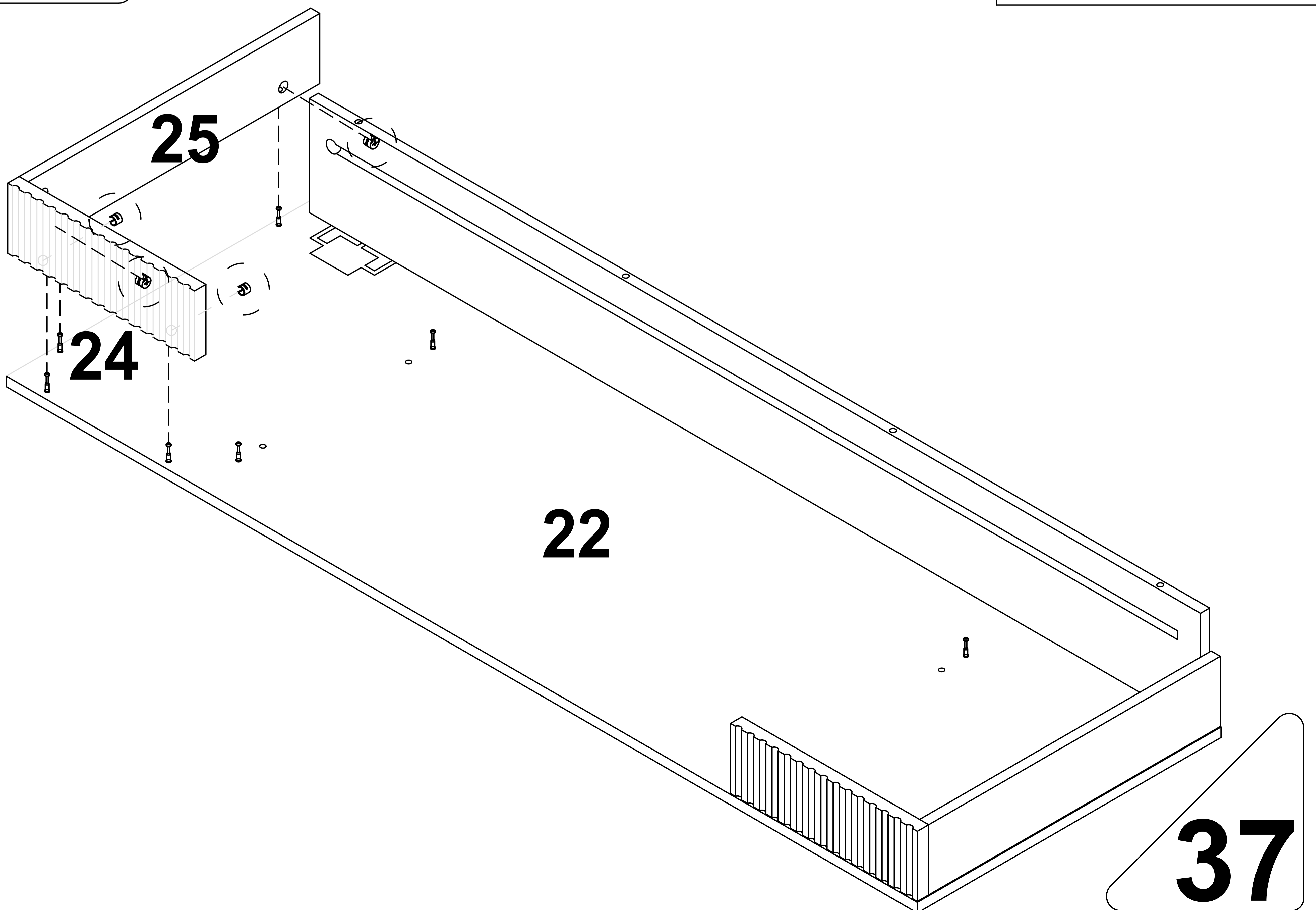


Step 51

B

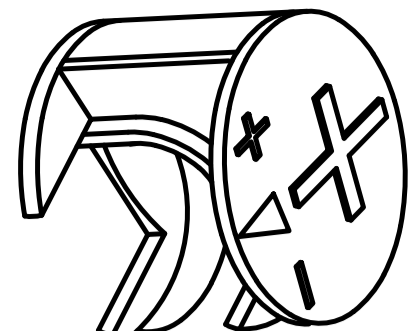



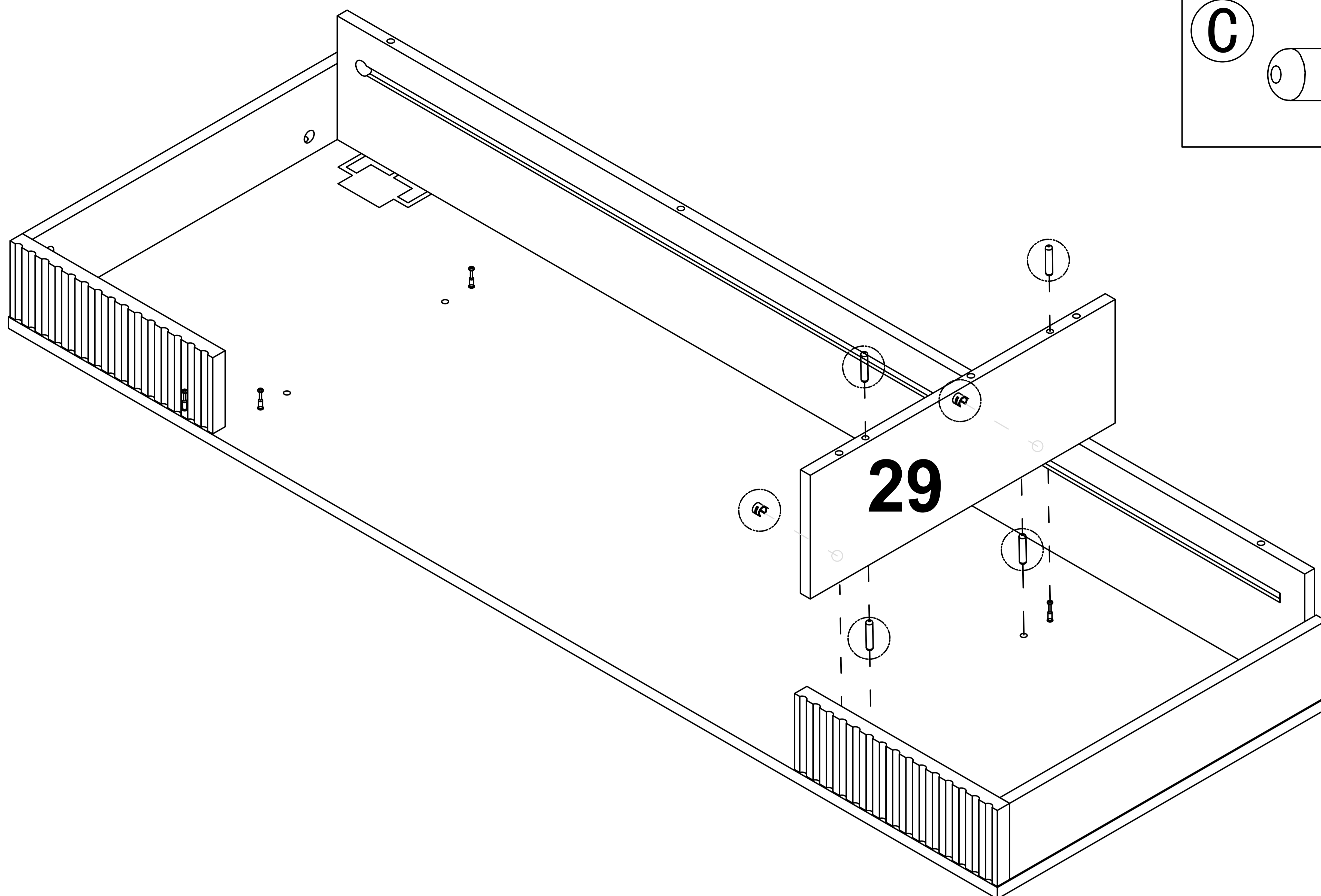
x4



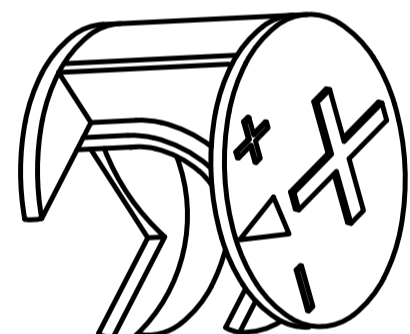
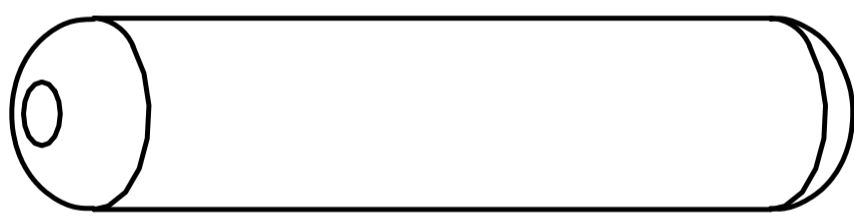
37

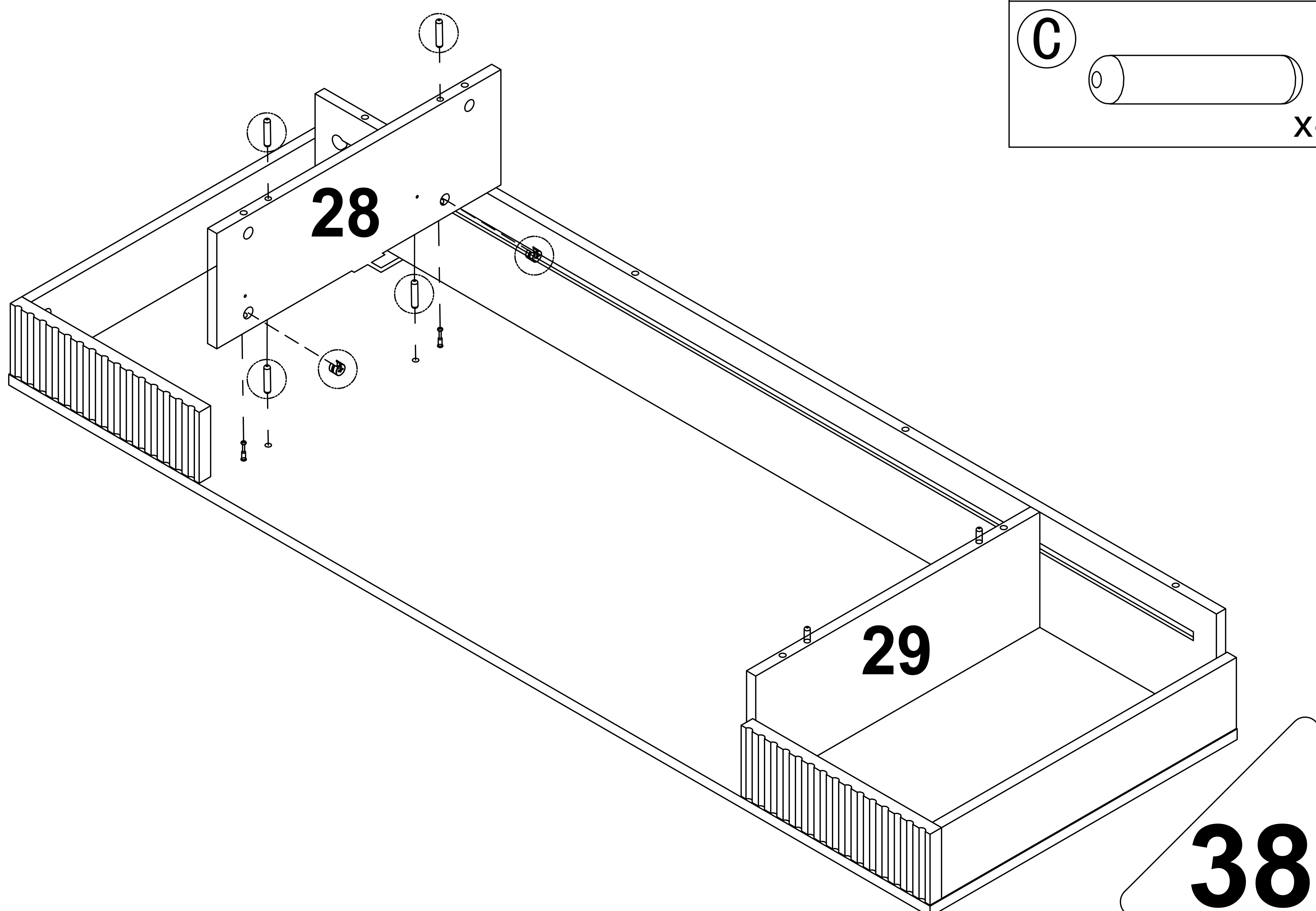
Step 52

- B**  x2
- C**  x4

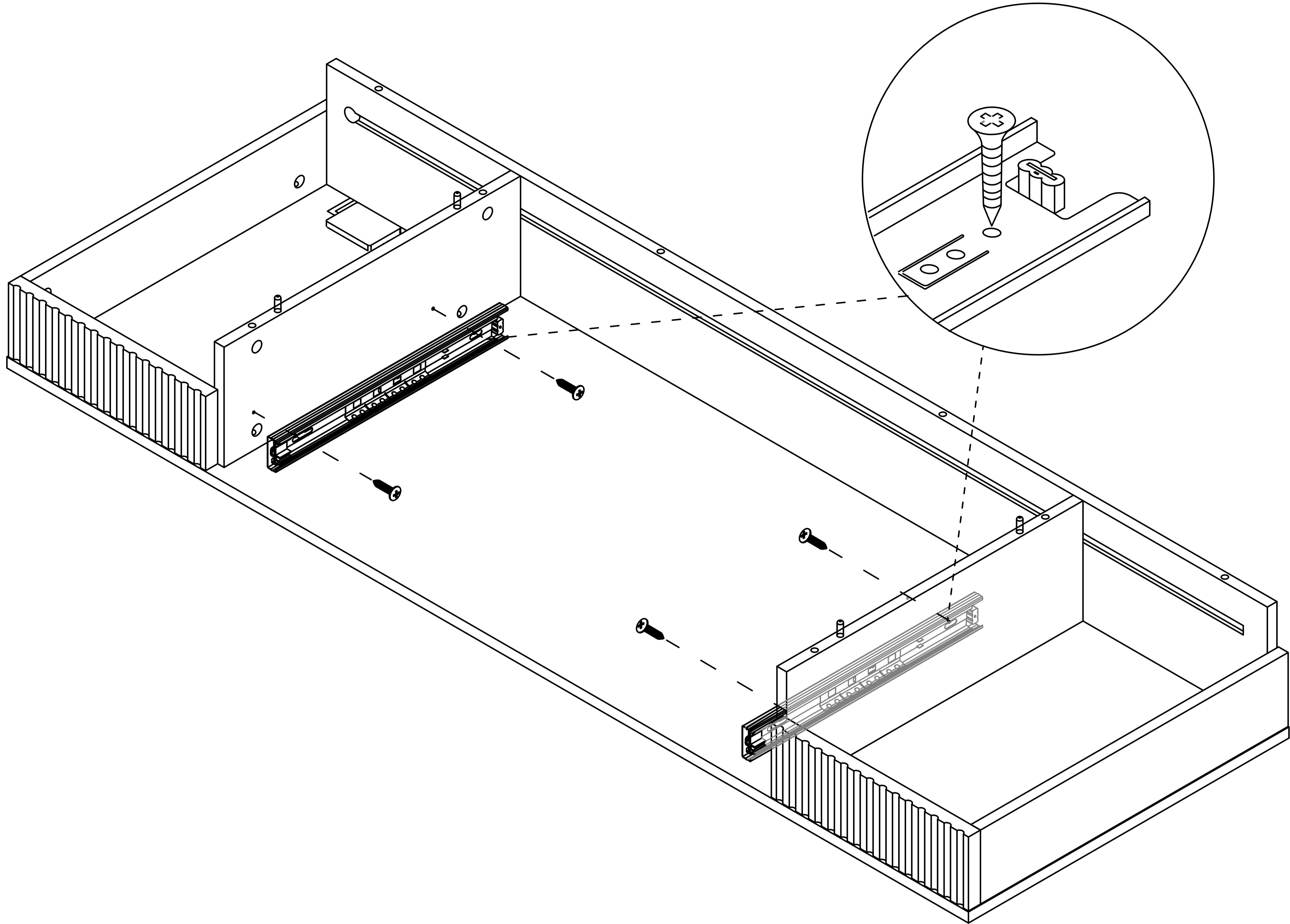
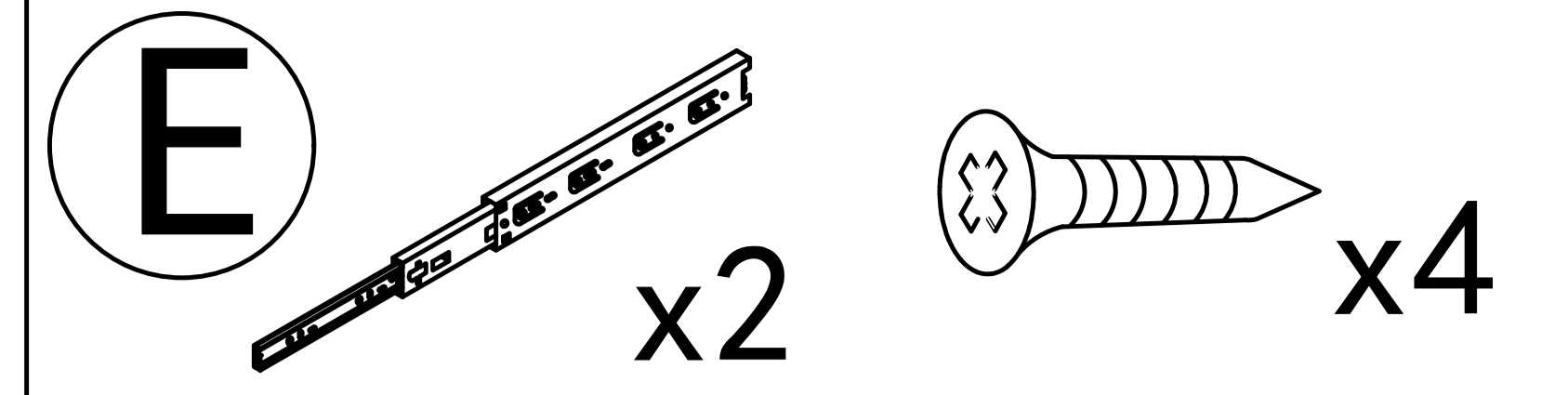
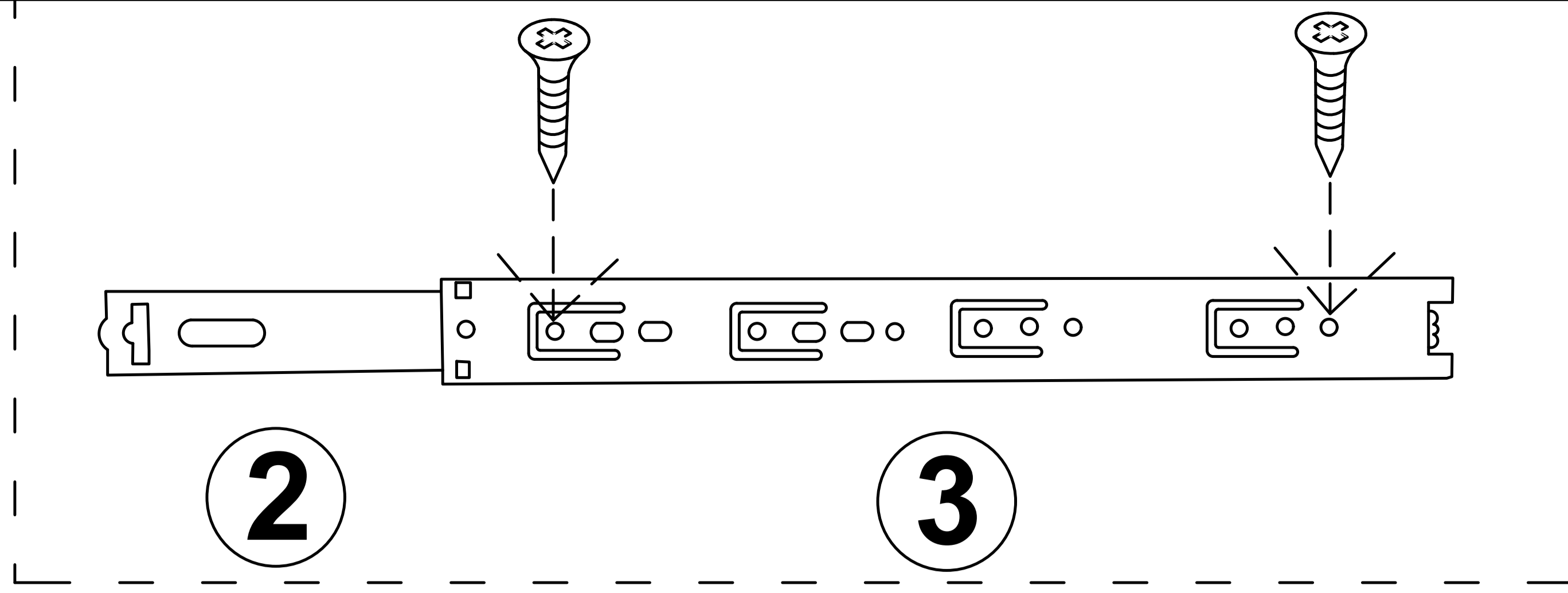


Step 53

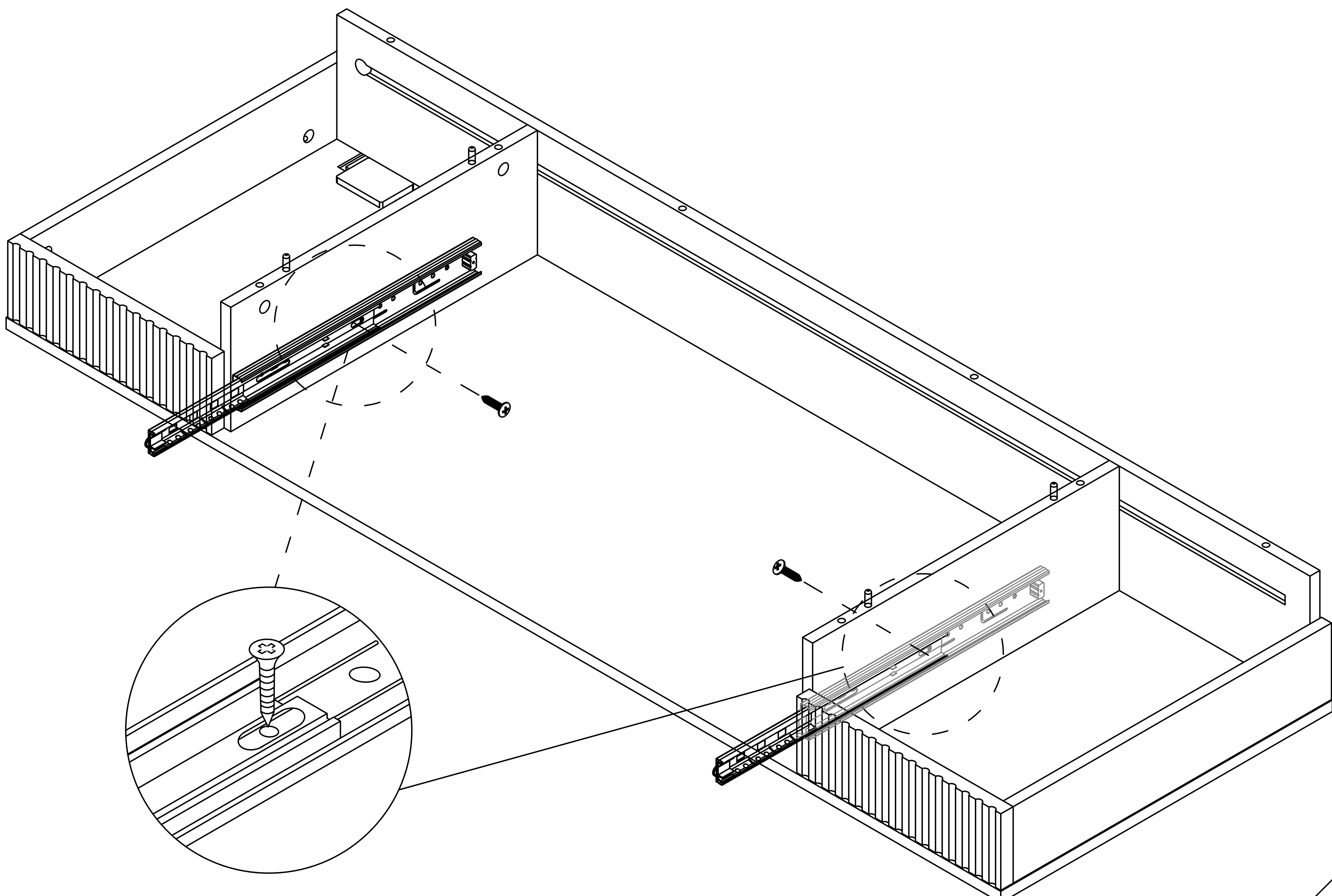
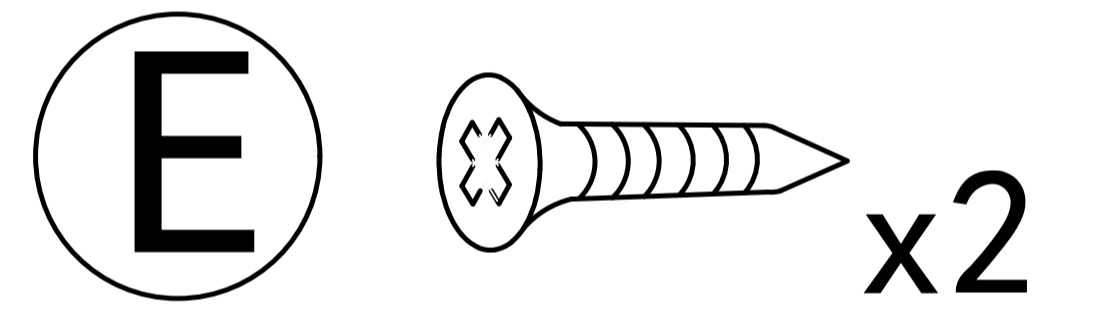
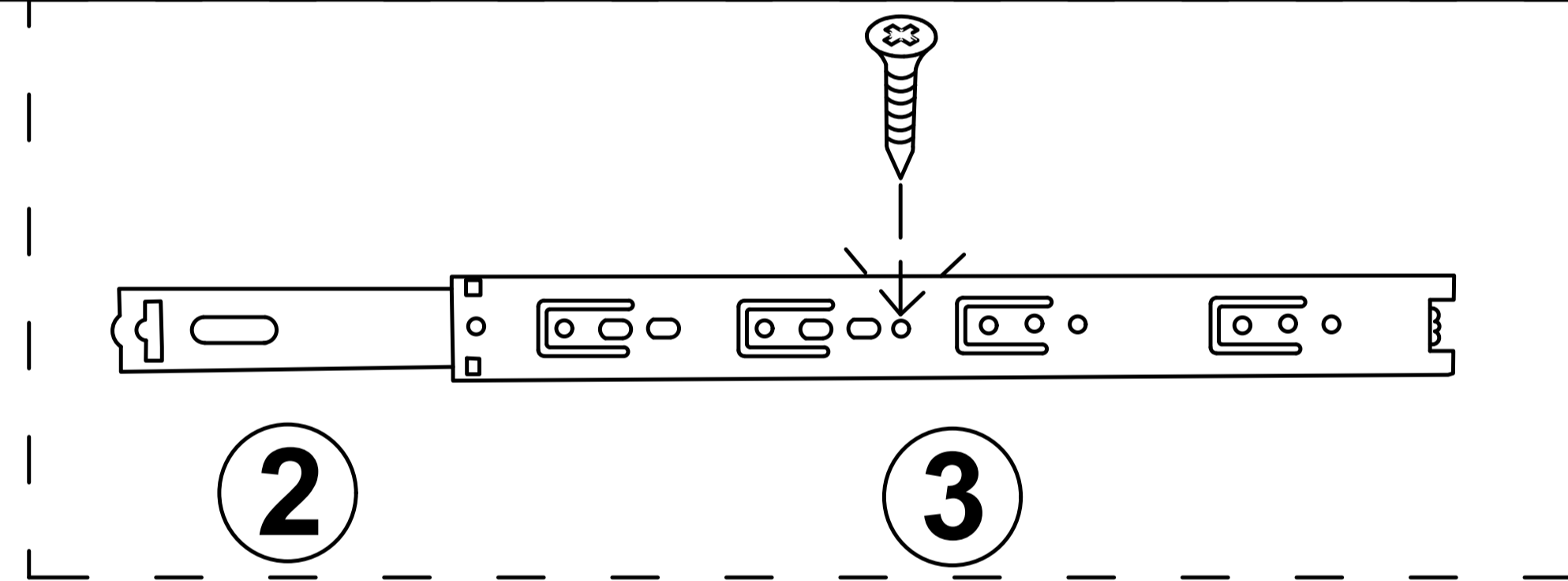
- B**  x2
- C**  x4



Step 54

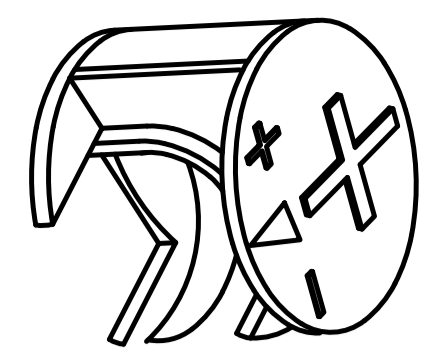


Step 55



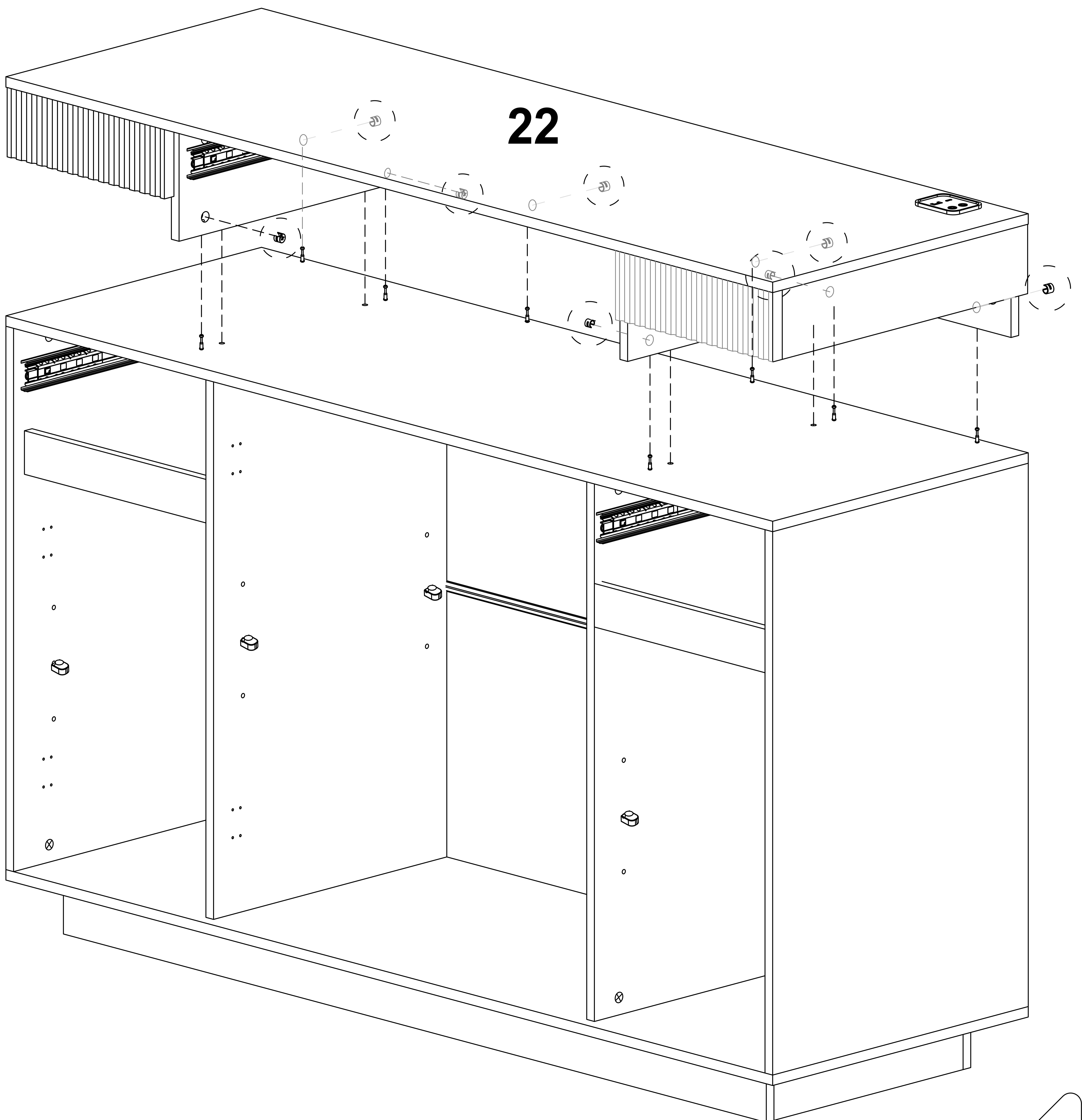
Step 56

B

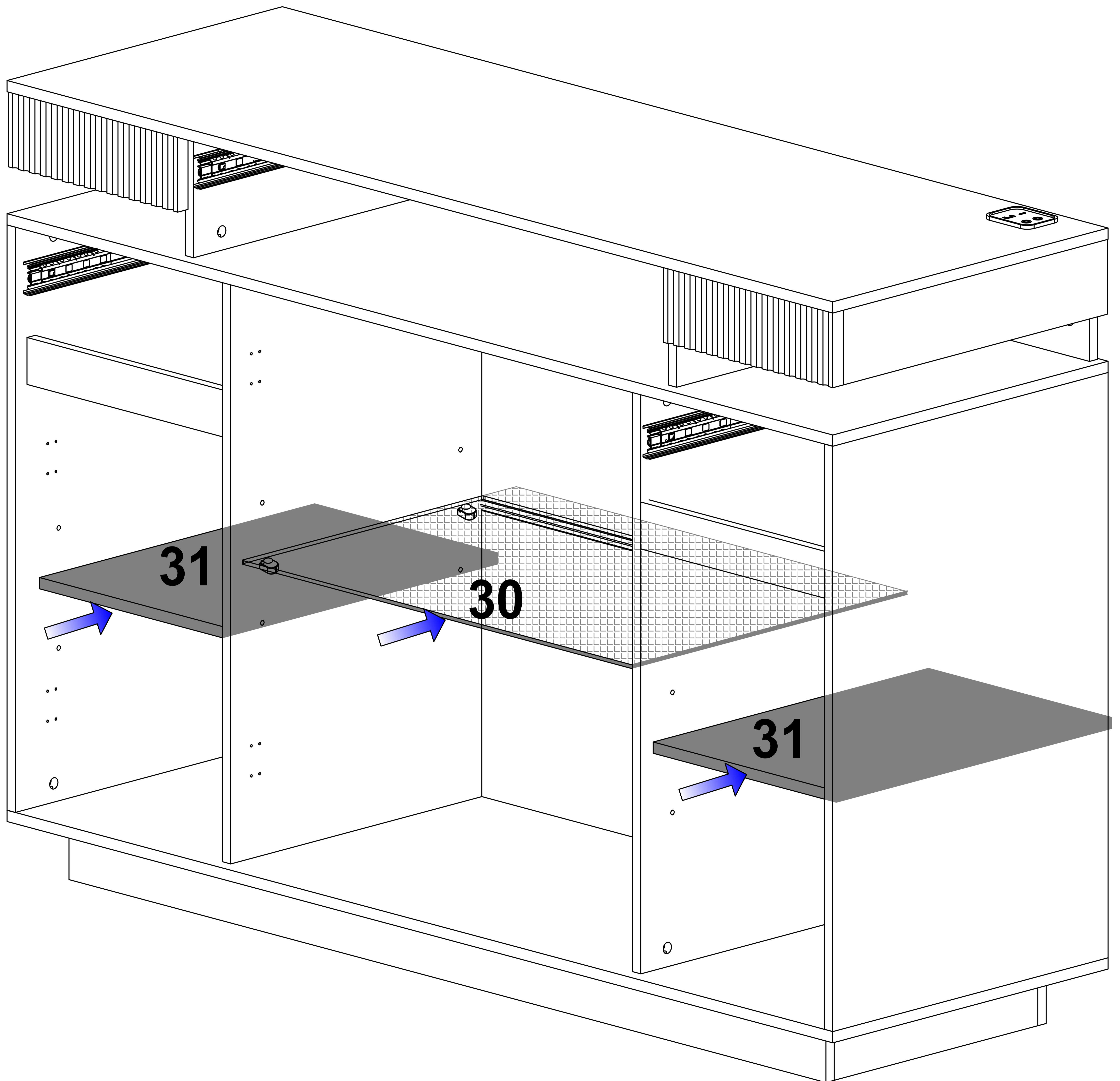


x8

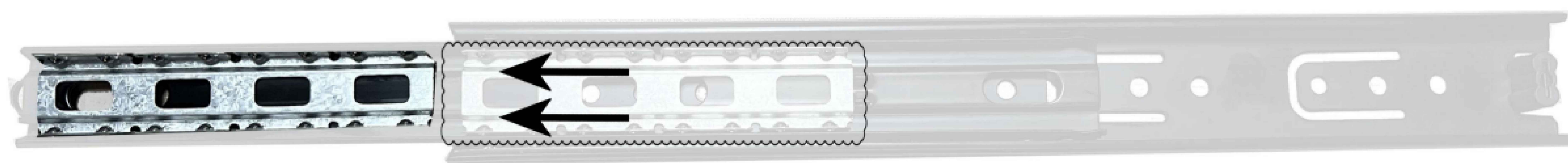
It is recommended that two people work together to install the structural wood panels.



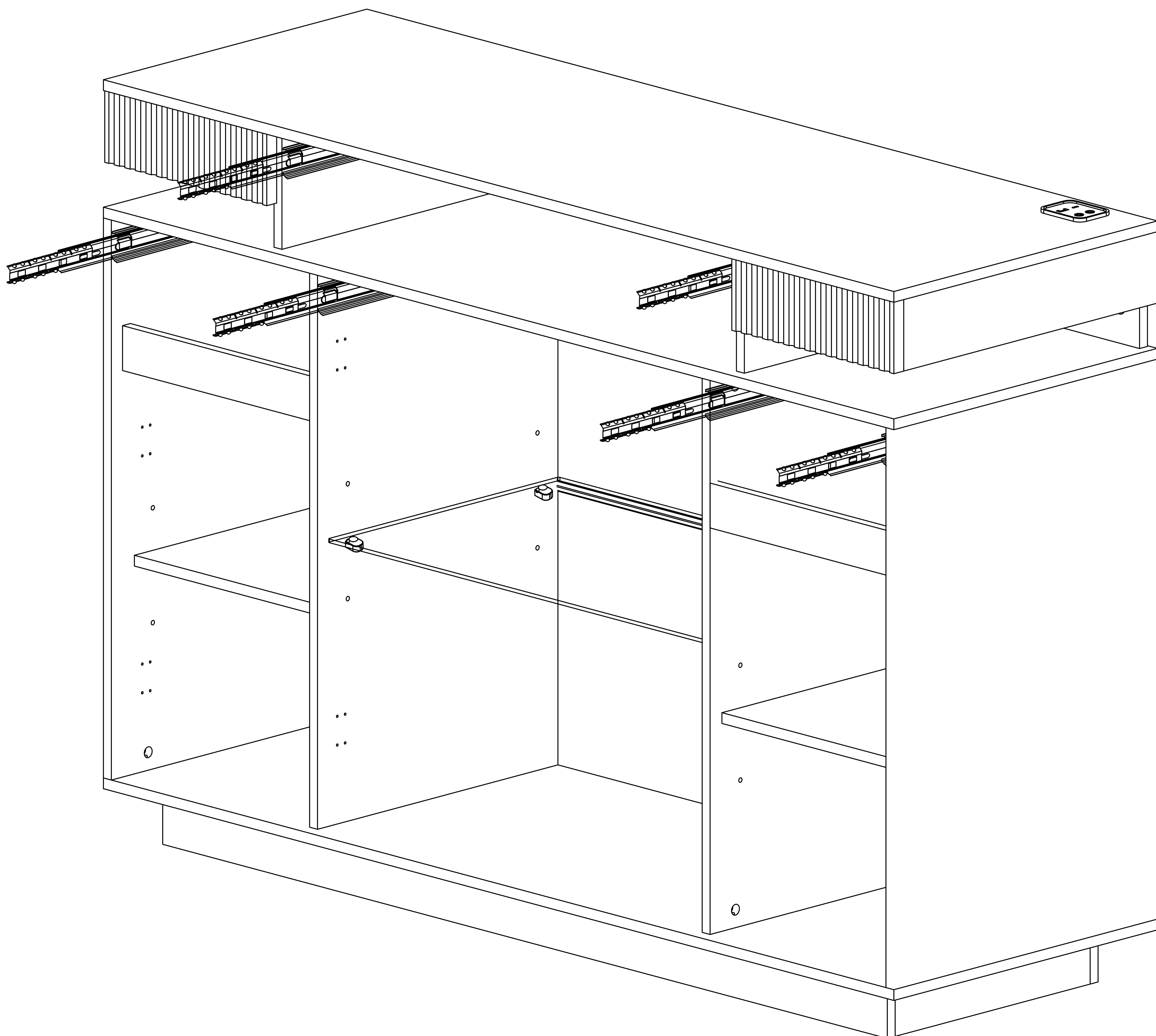
Step 57



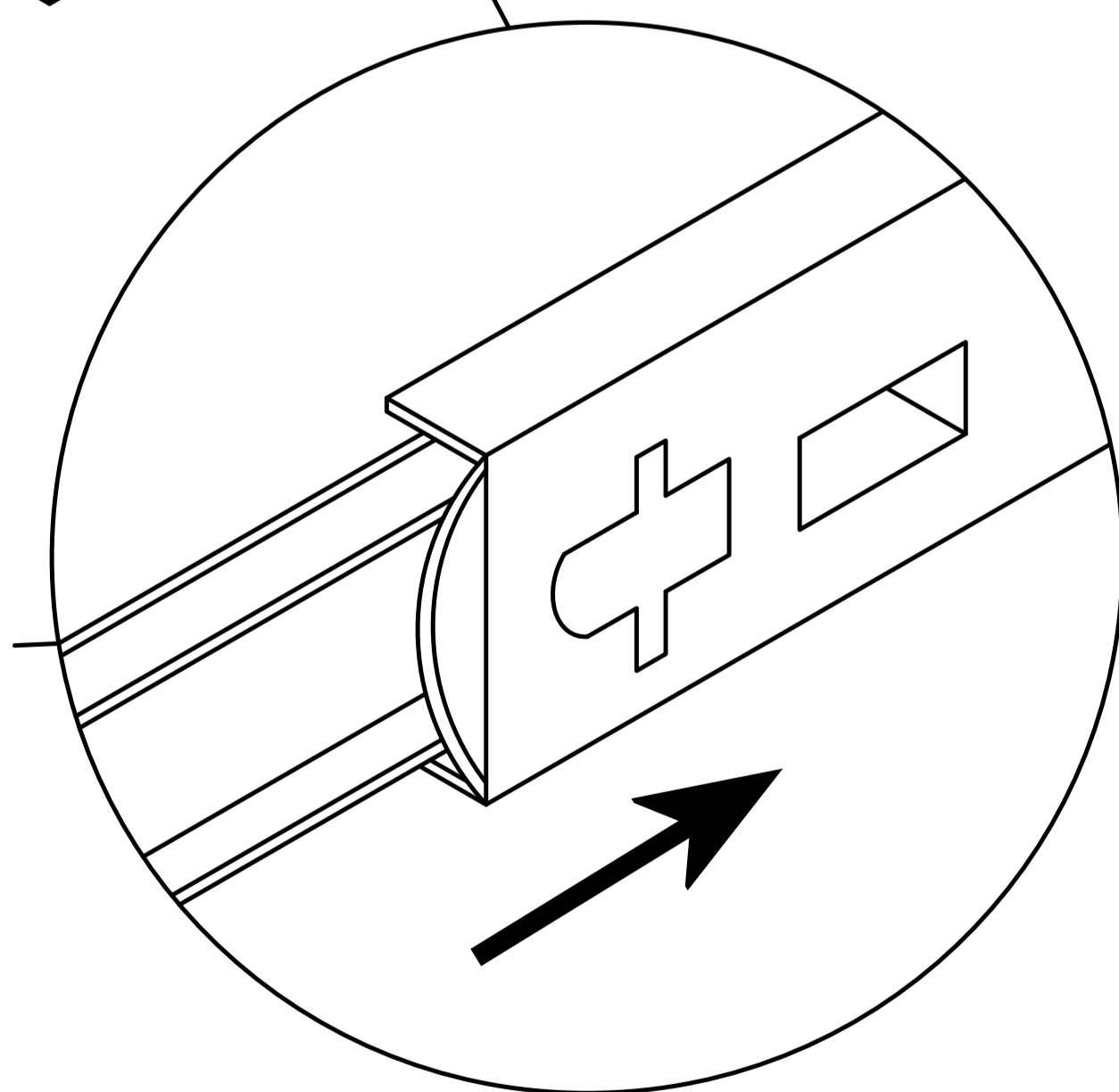
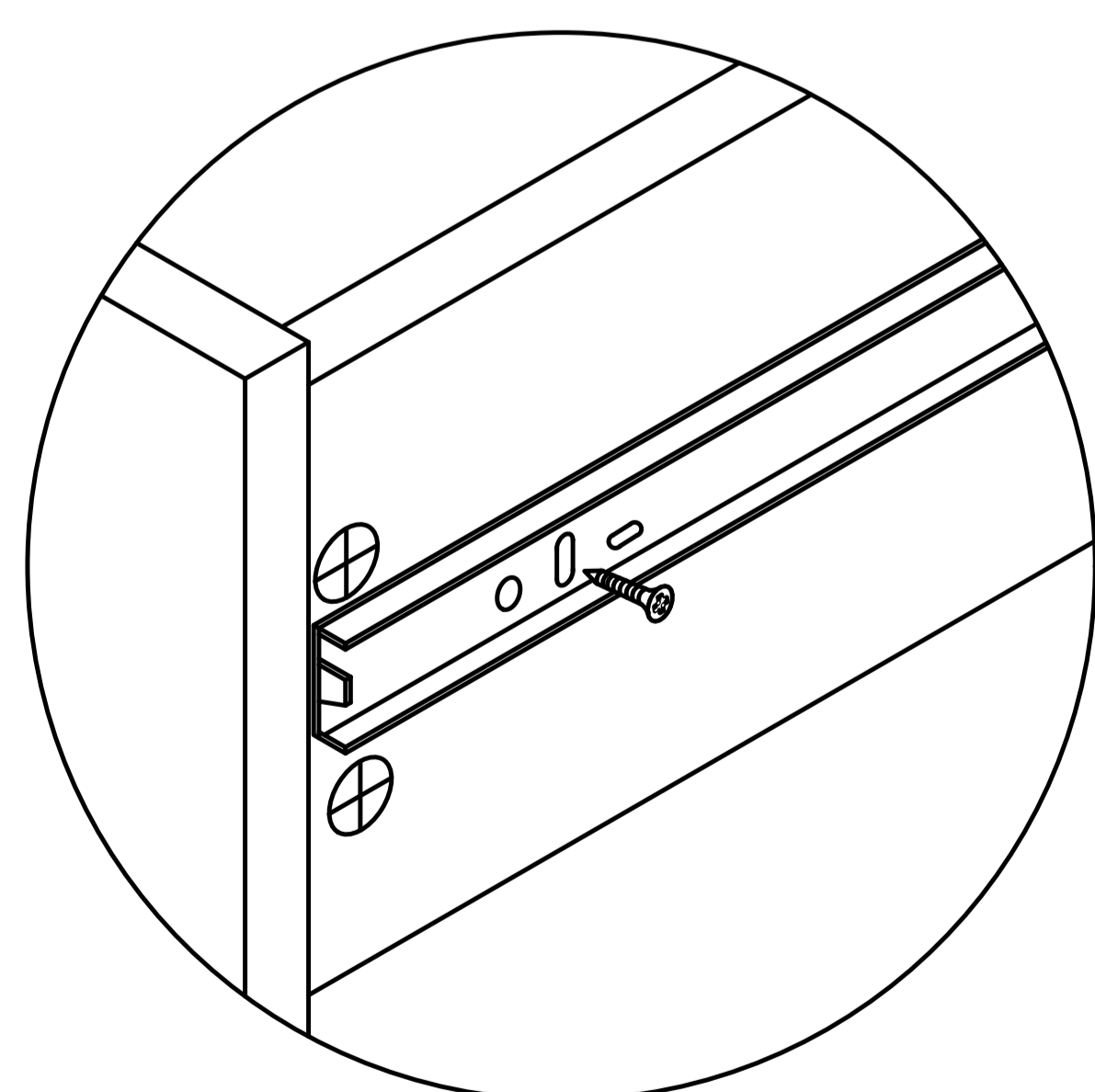
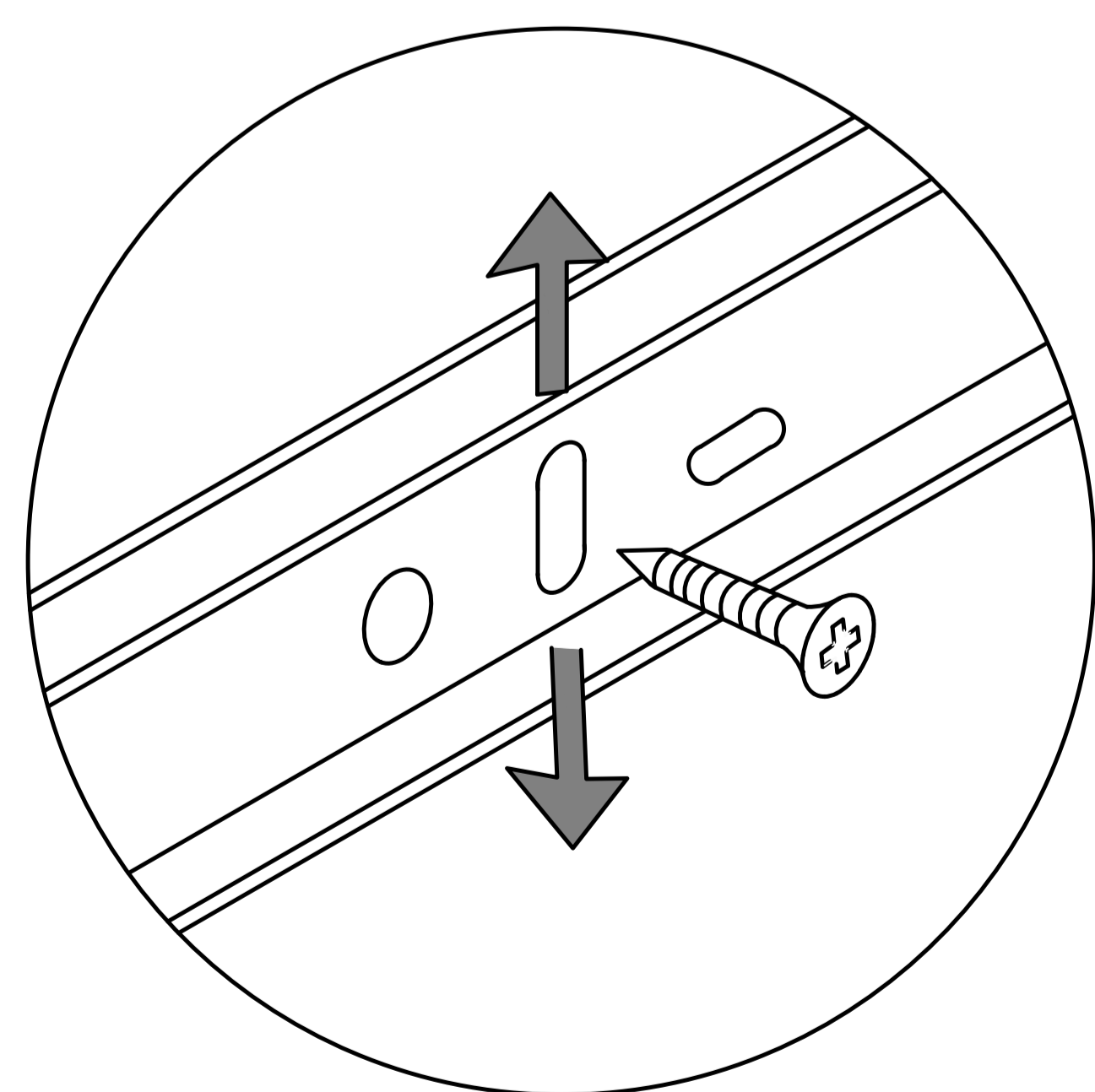
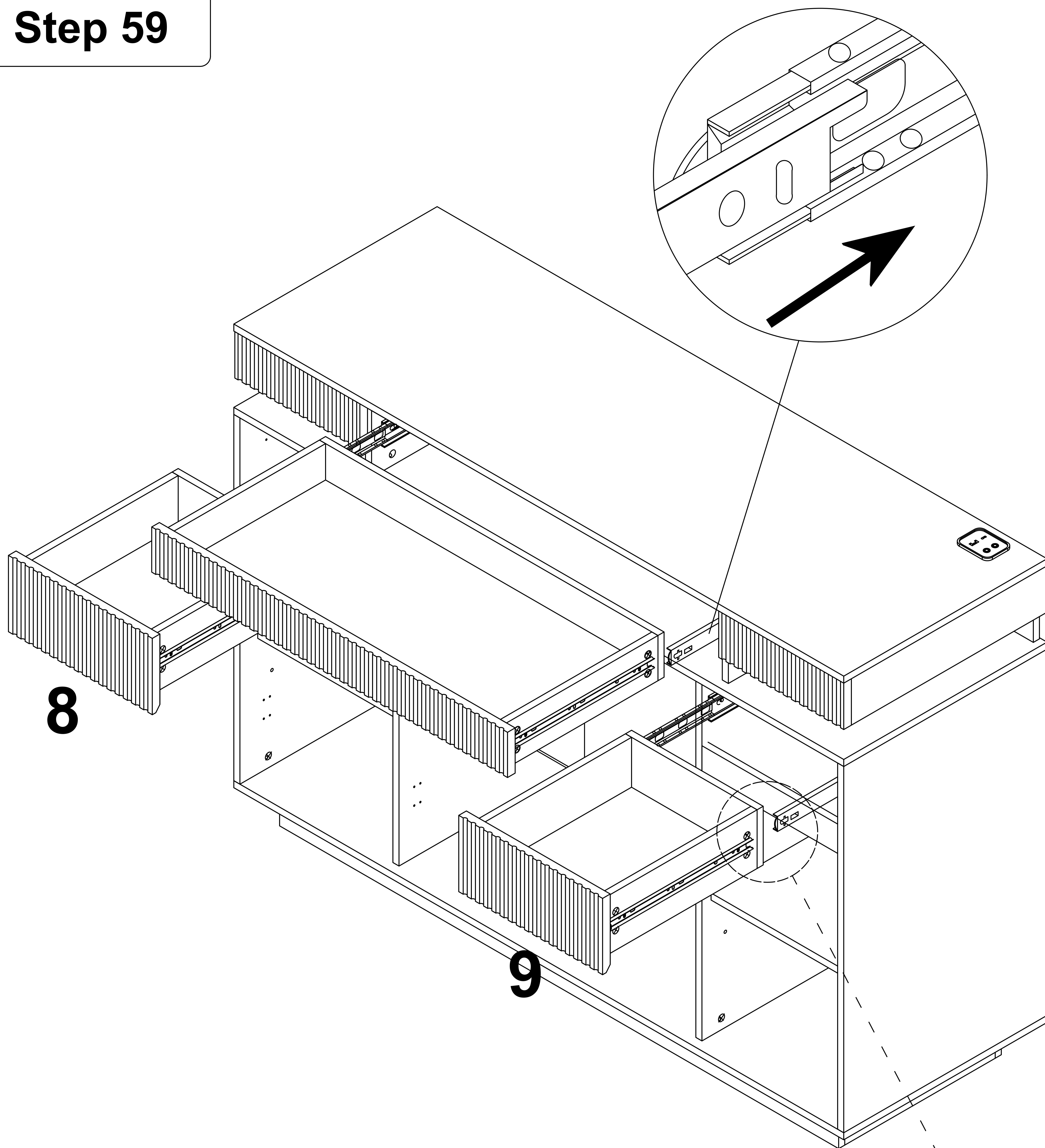
Step 58



As shown, When installing the drawer, pull the guide rail out first, Slide beads are also pulled out.

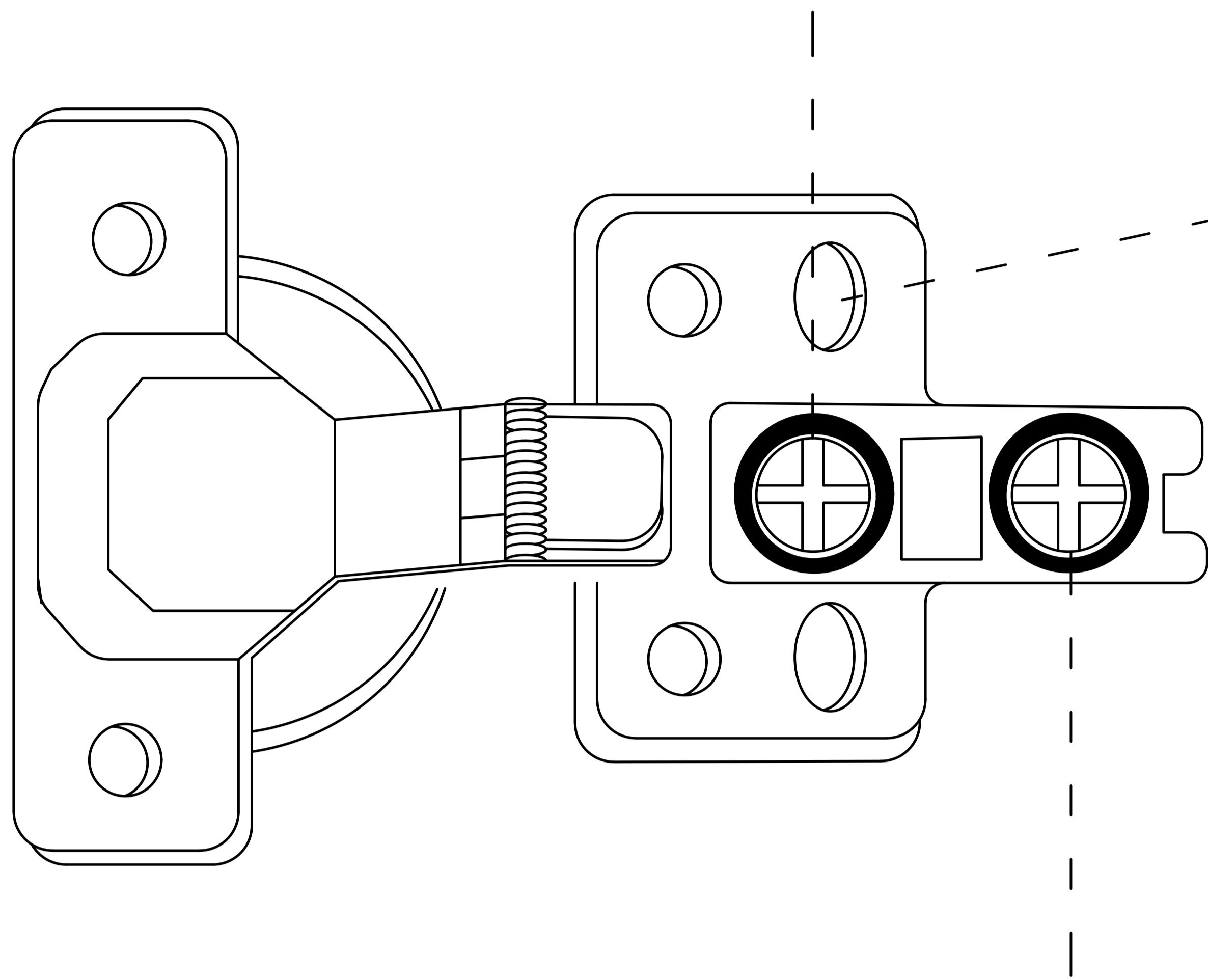


Step 59



If a large gap is found after installing the drawer the slide rail can be moved up and down to adjust the gap

Turning this screw can effectively adjust the size of the door gap.

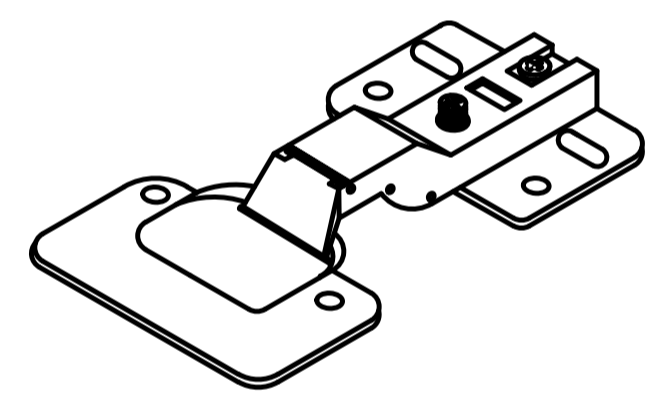


Adjust hole control the up and down height of the door

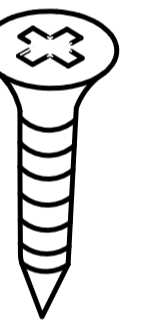
Turn this screw to adjust the door panel to be flat with the side panel.

Step 60

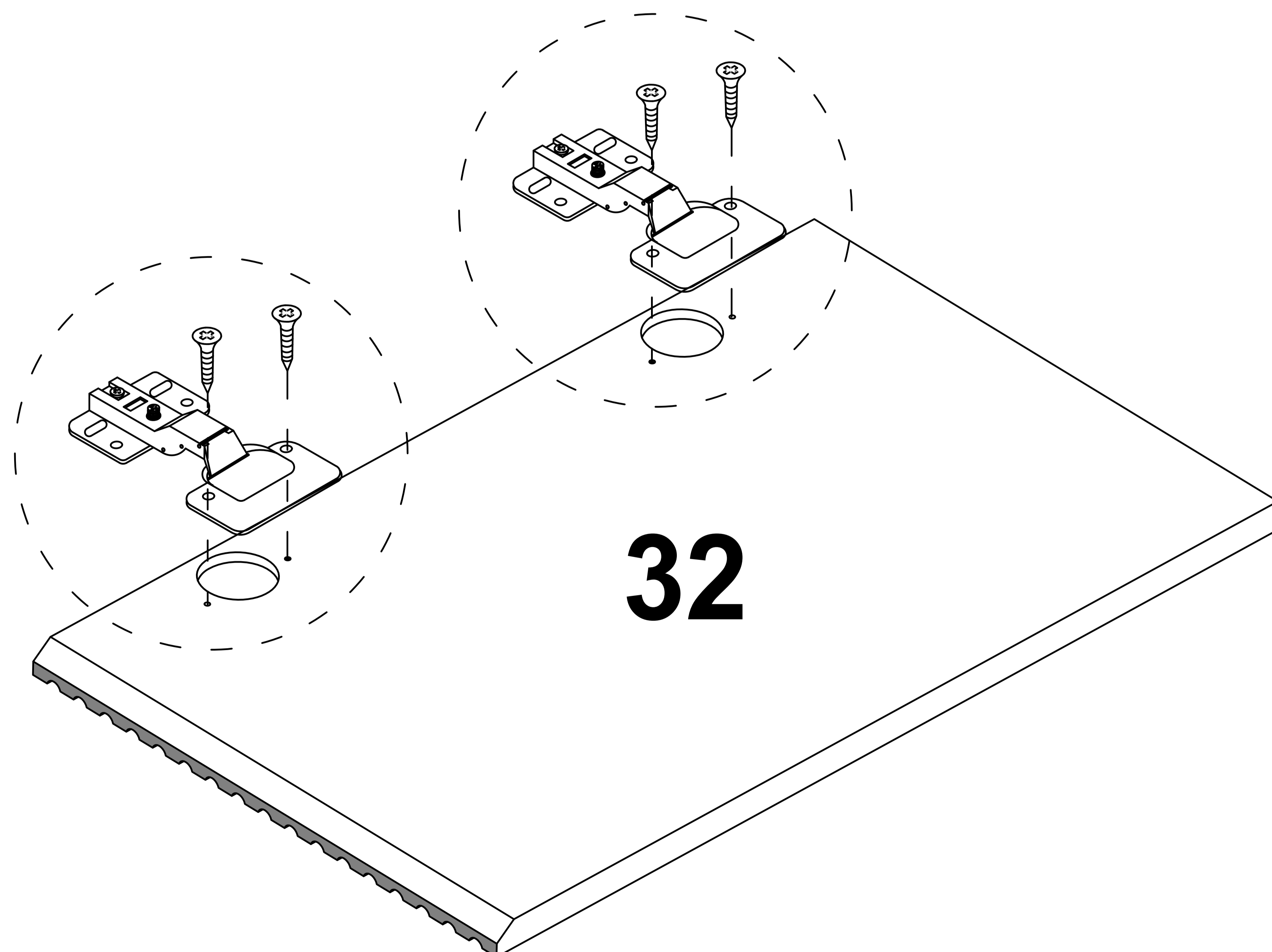
H



x2



x4

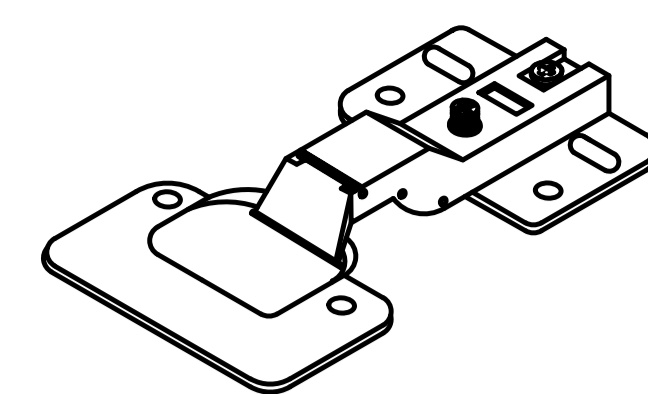


32

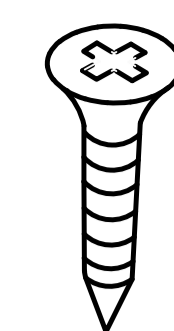
44

Step 61

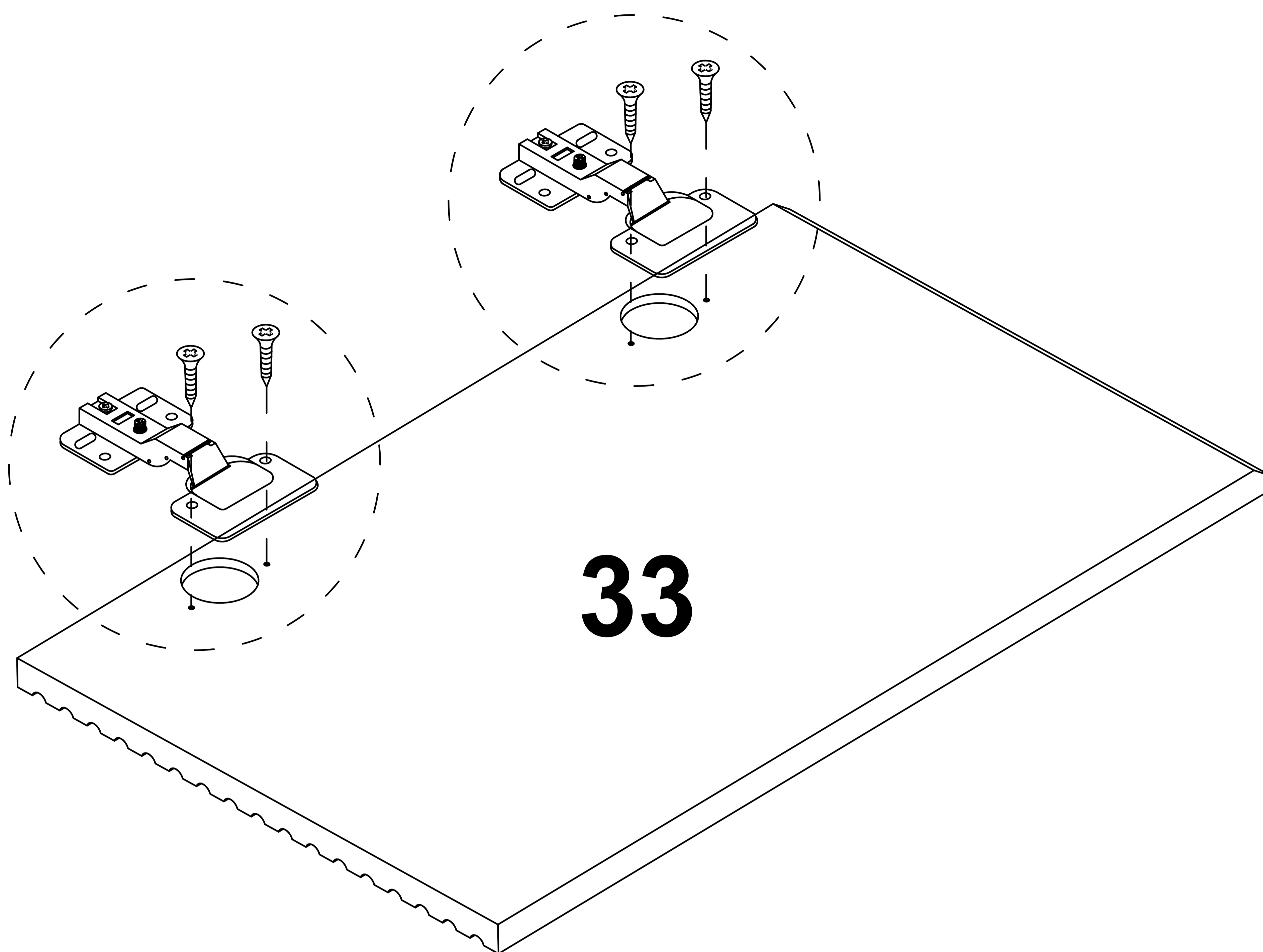
H



x2



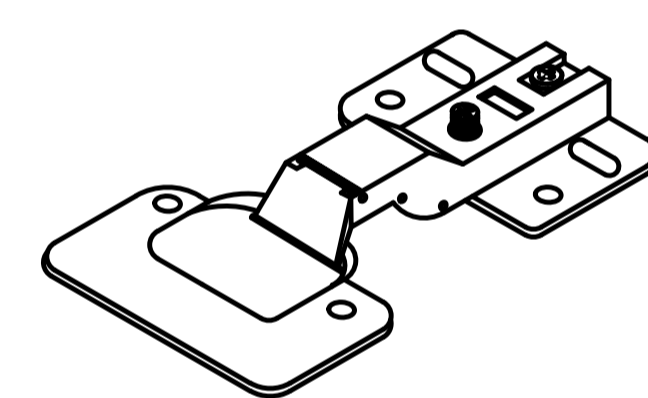
x4



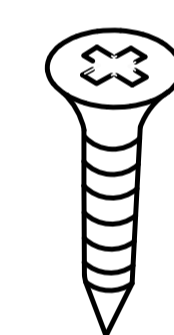
33

Step 62

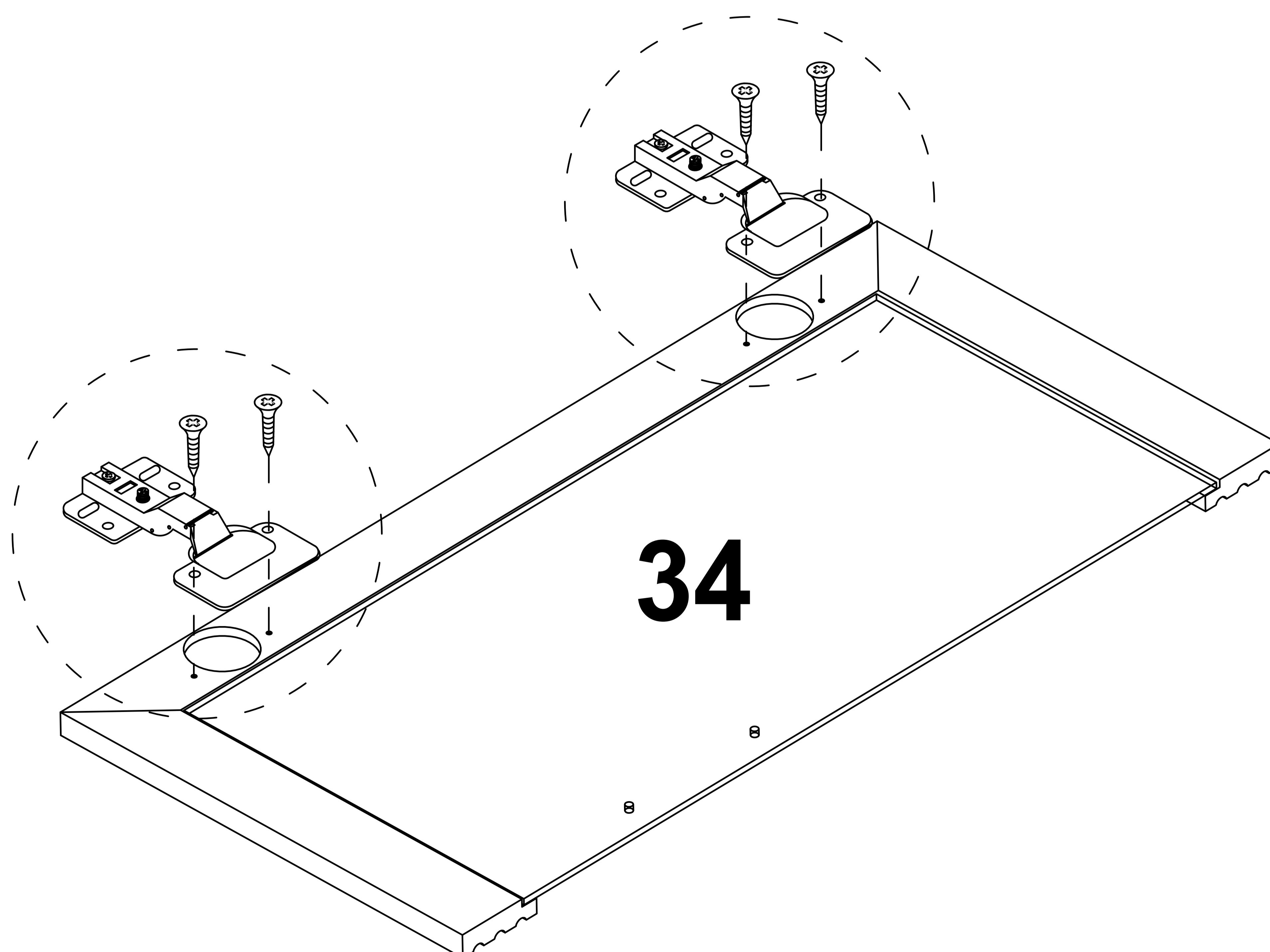
J



x2



x4

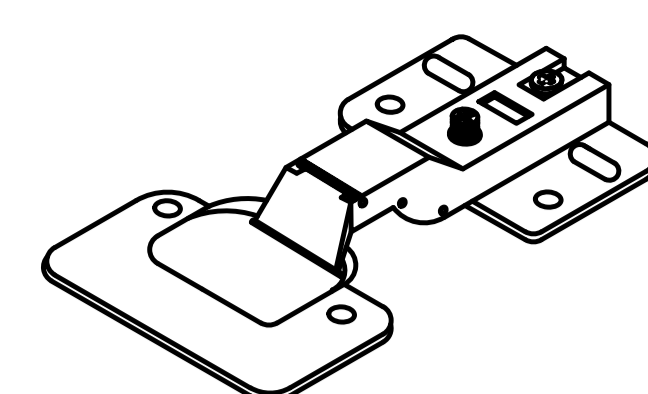


34

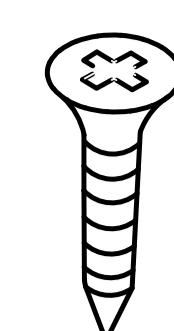
45

Step 63

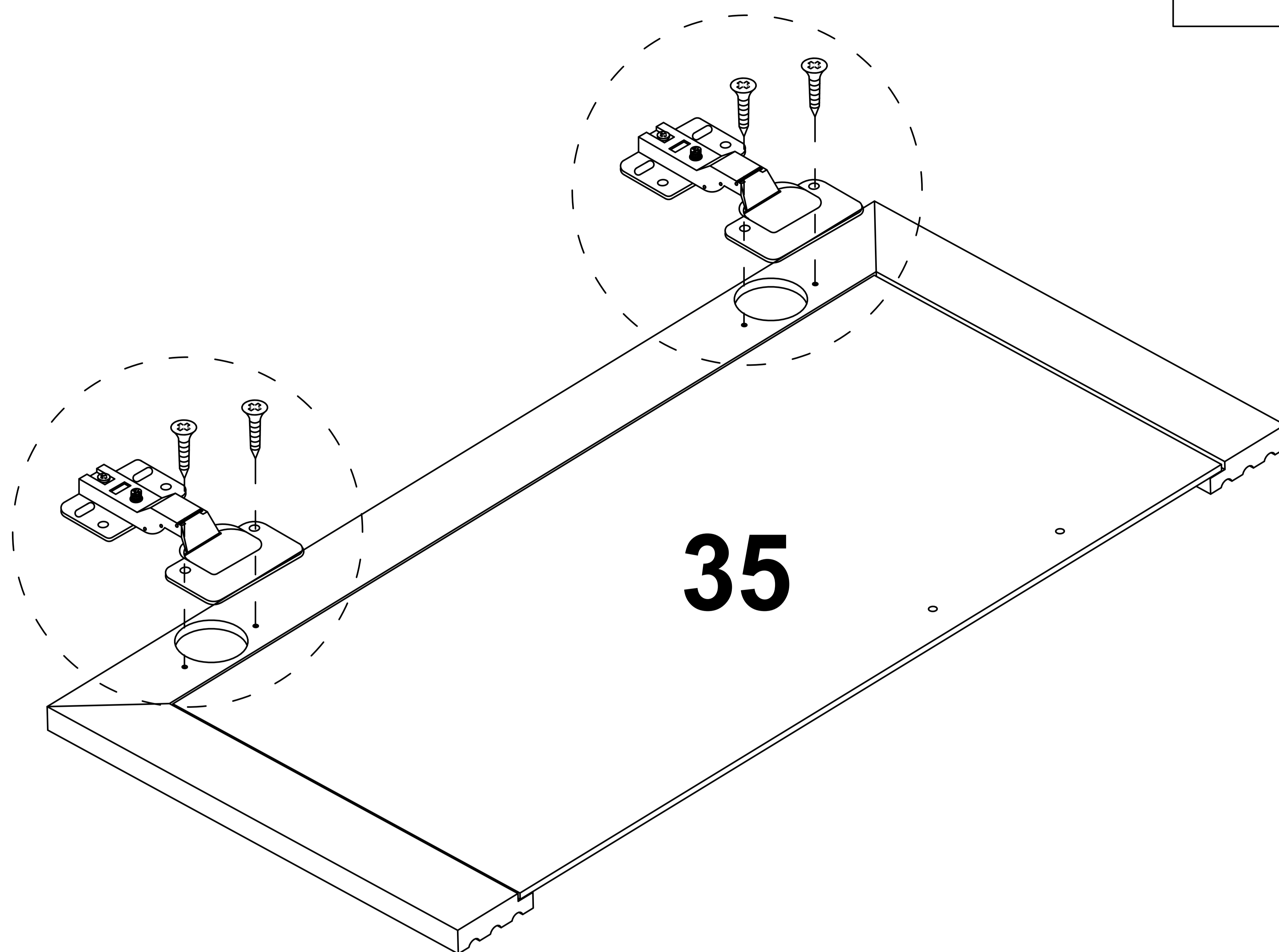
J



x2

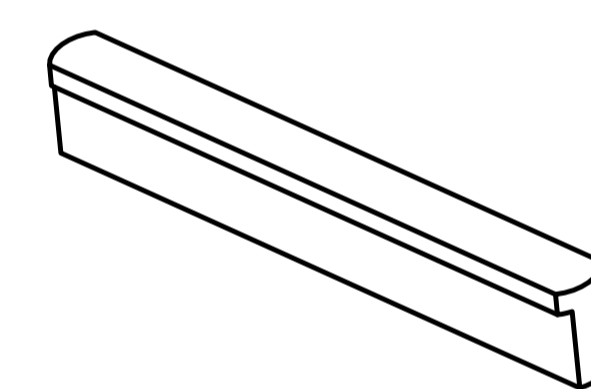


x4

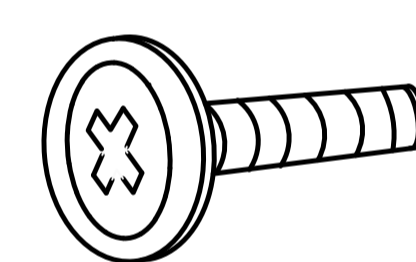


Step 64

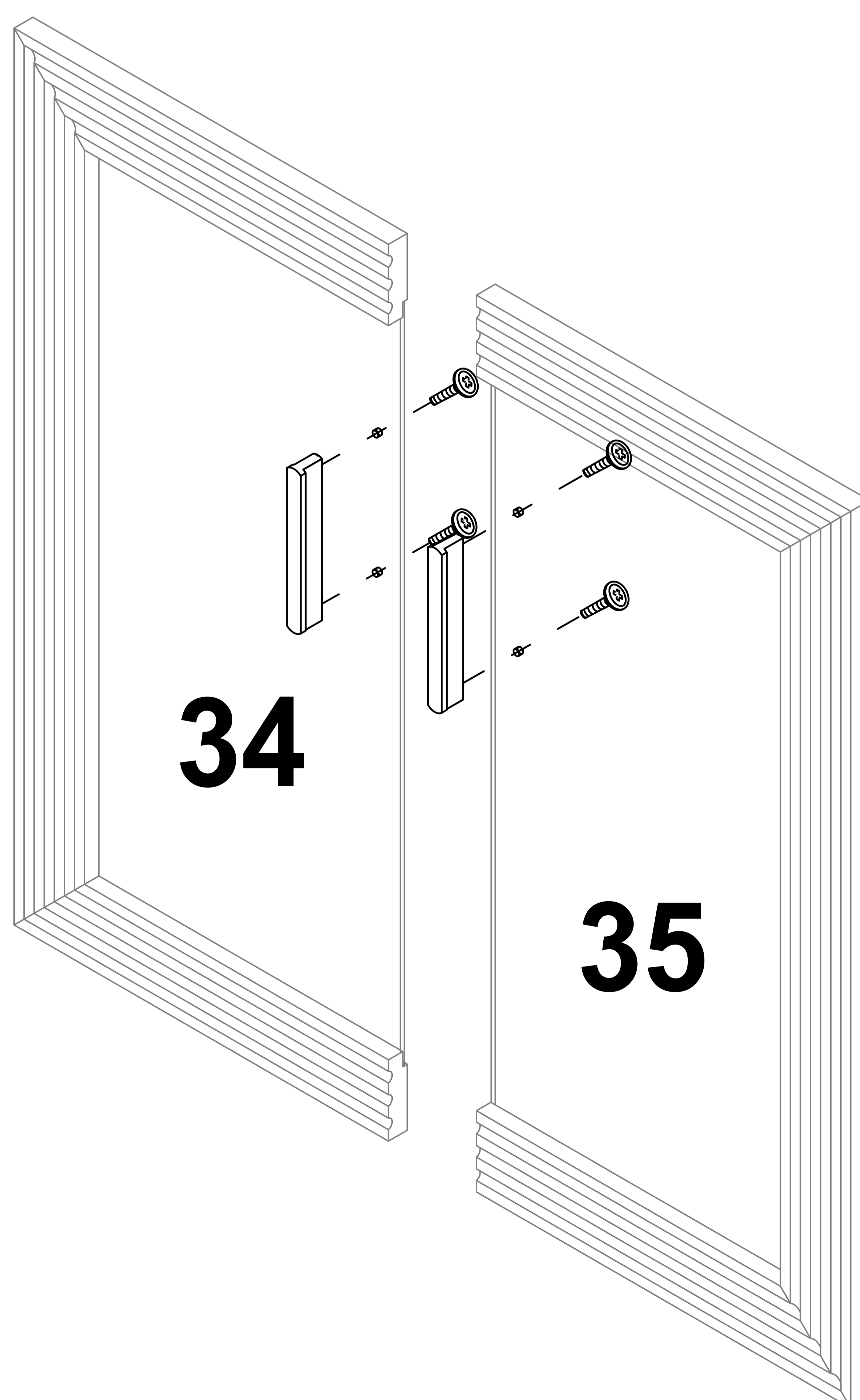
D



x4

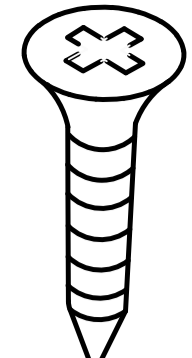
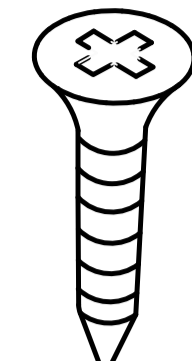


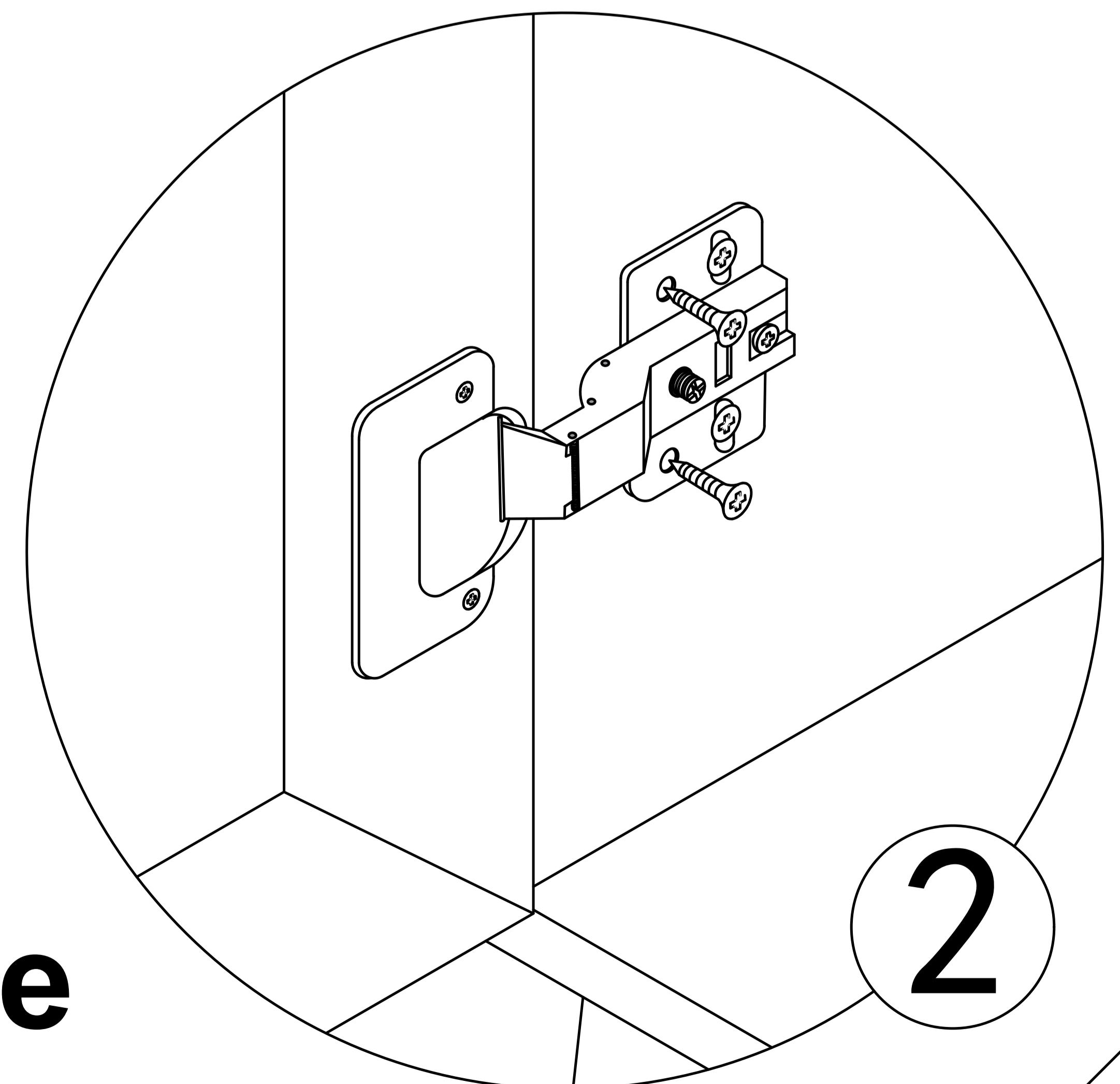
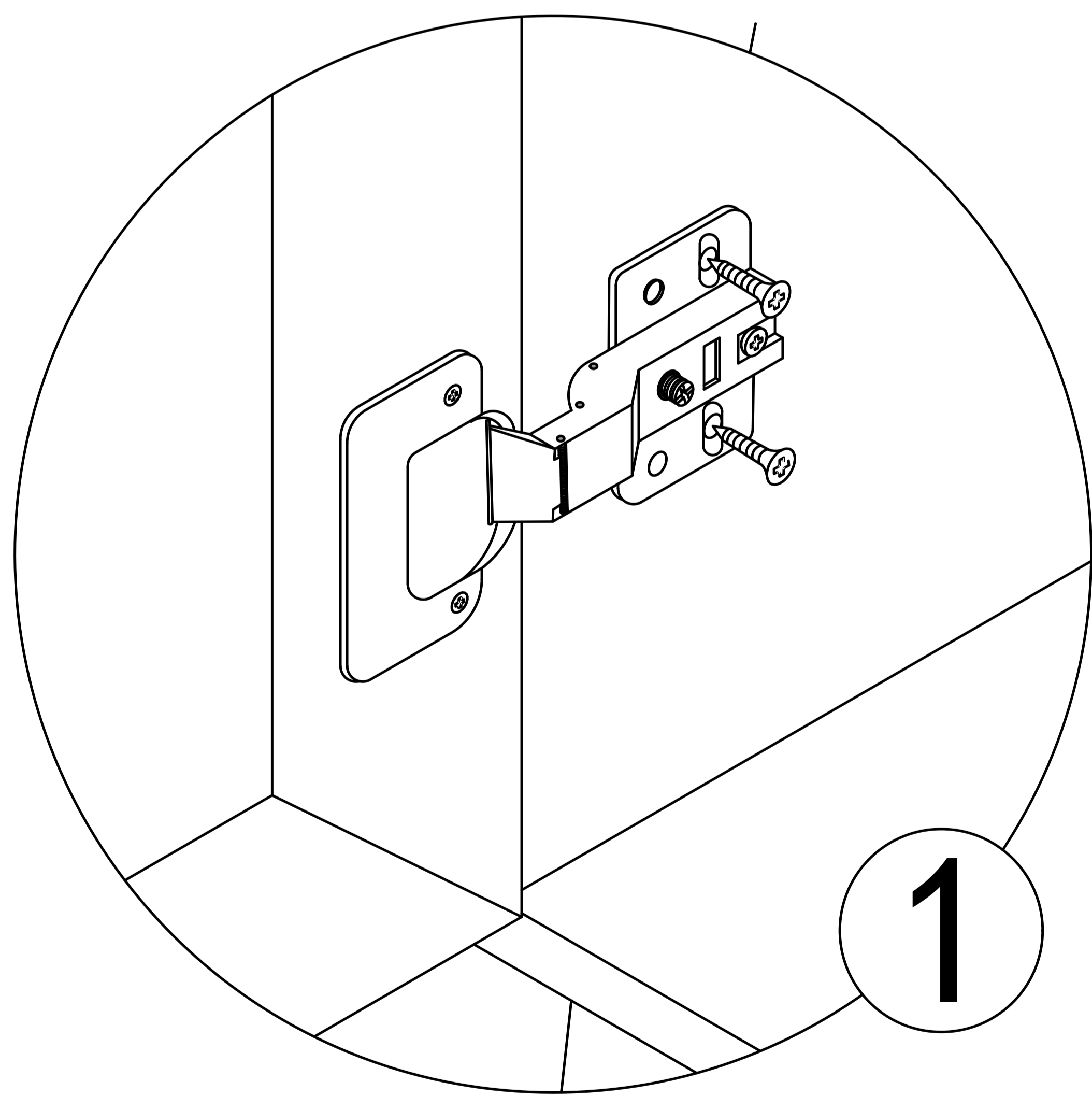
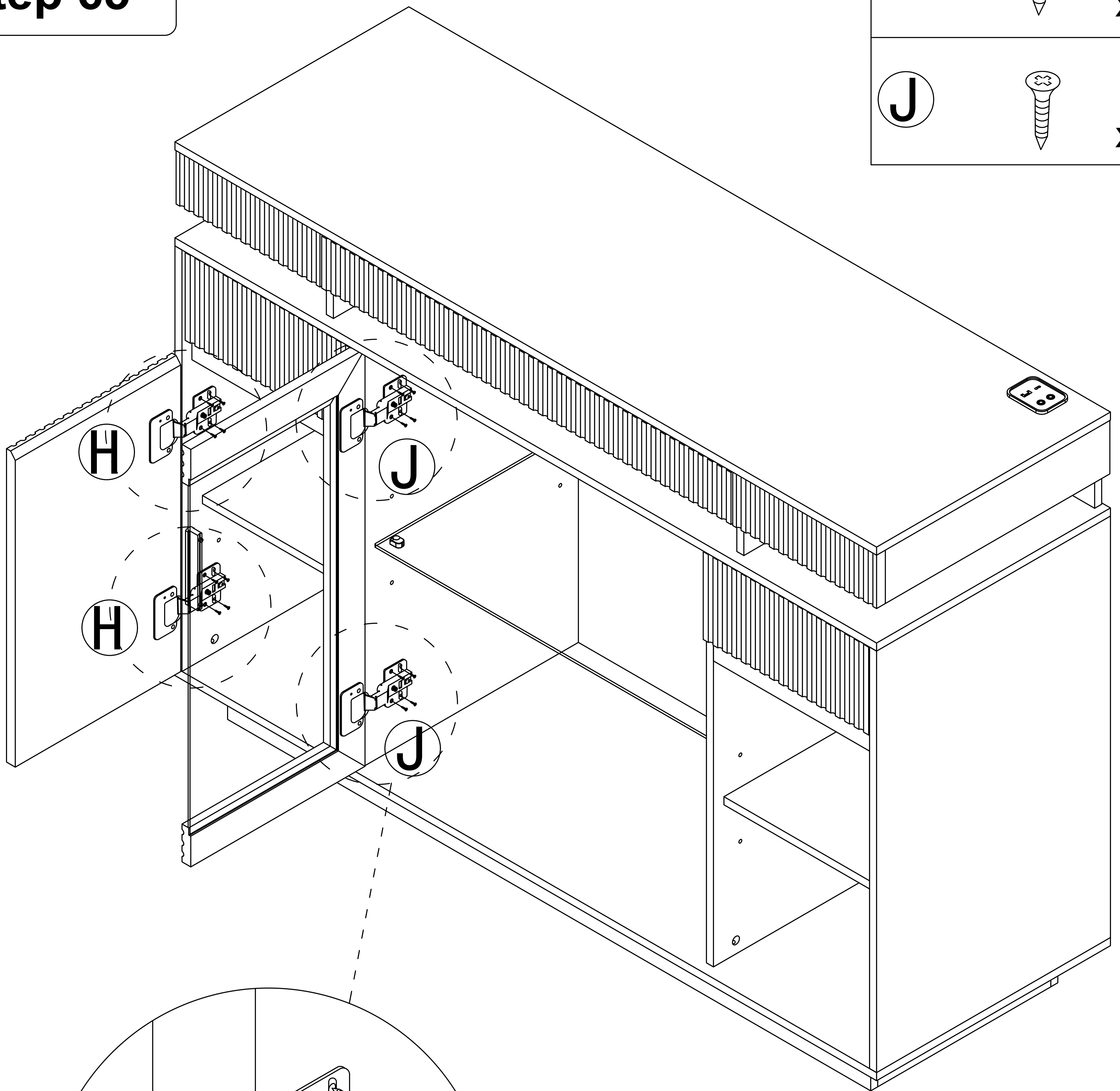
x4



46

Step 65

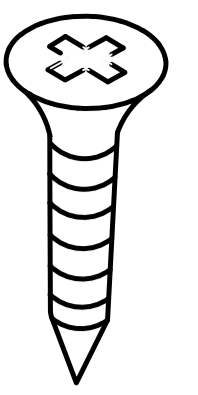
H		x8
J		x8



**First lock the elliptical hole
then lock the fixed hole**

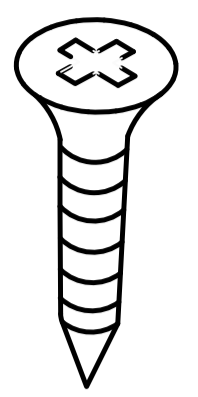
Step 66

H

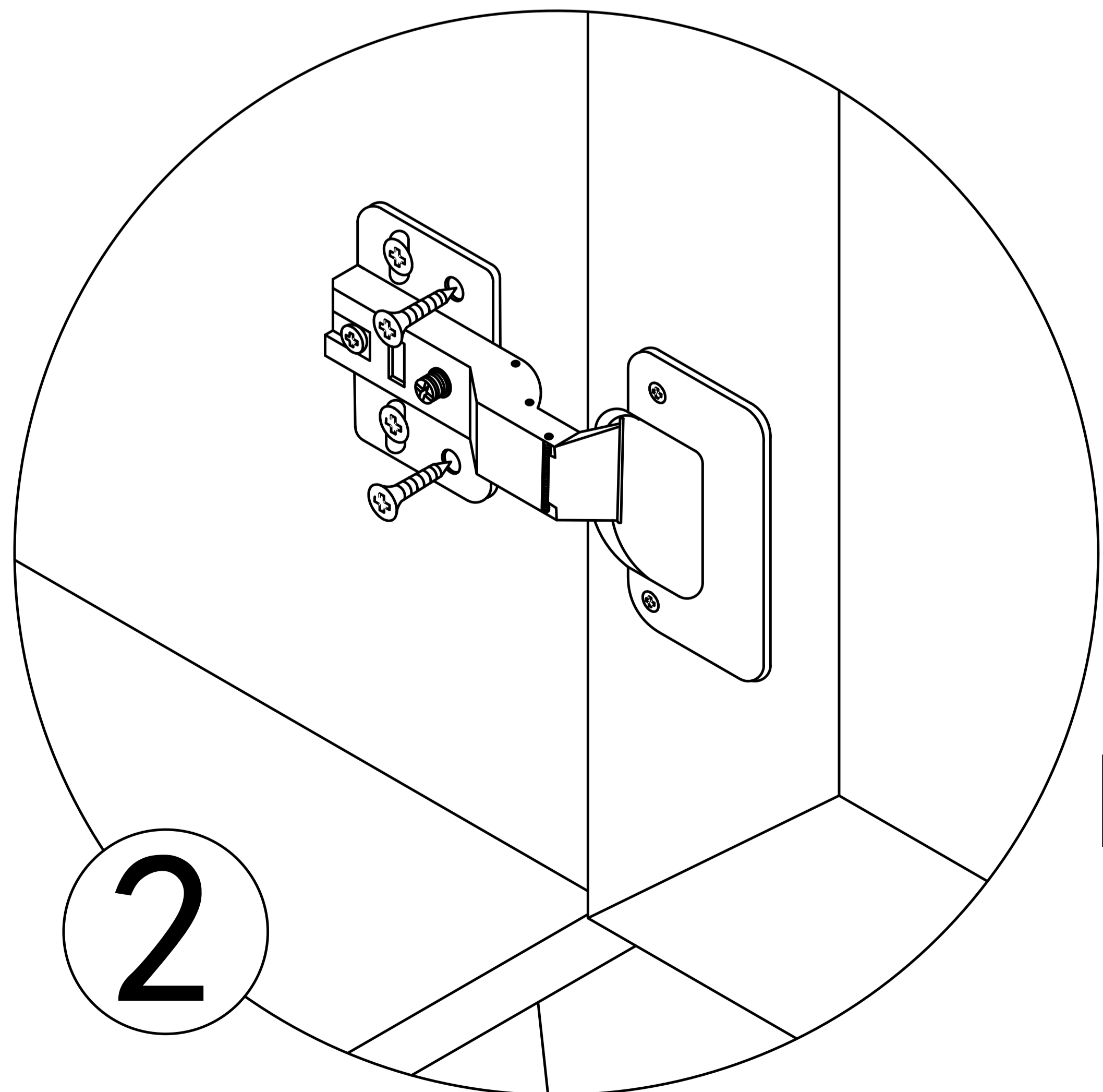
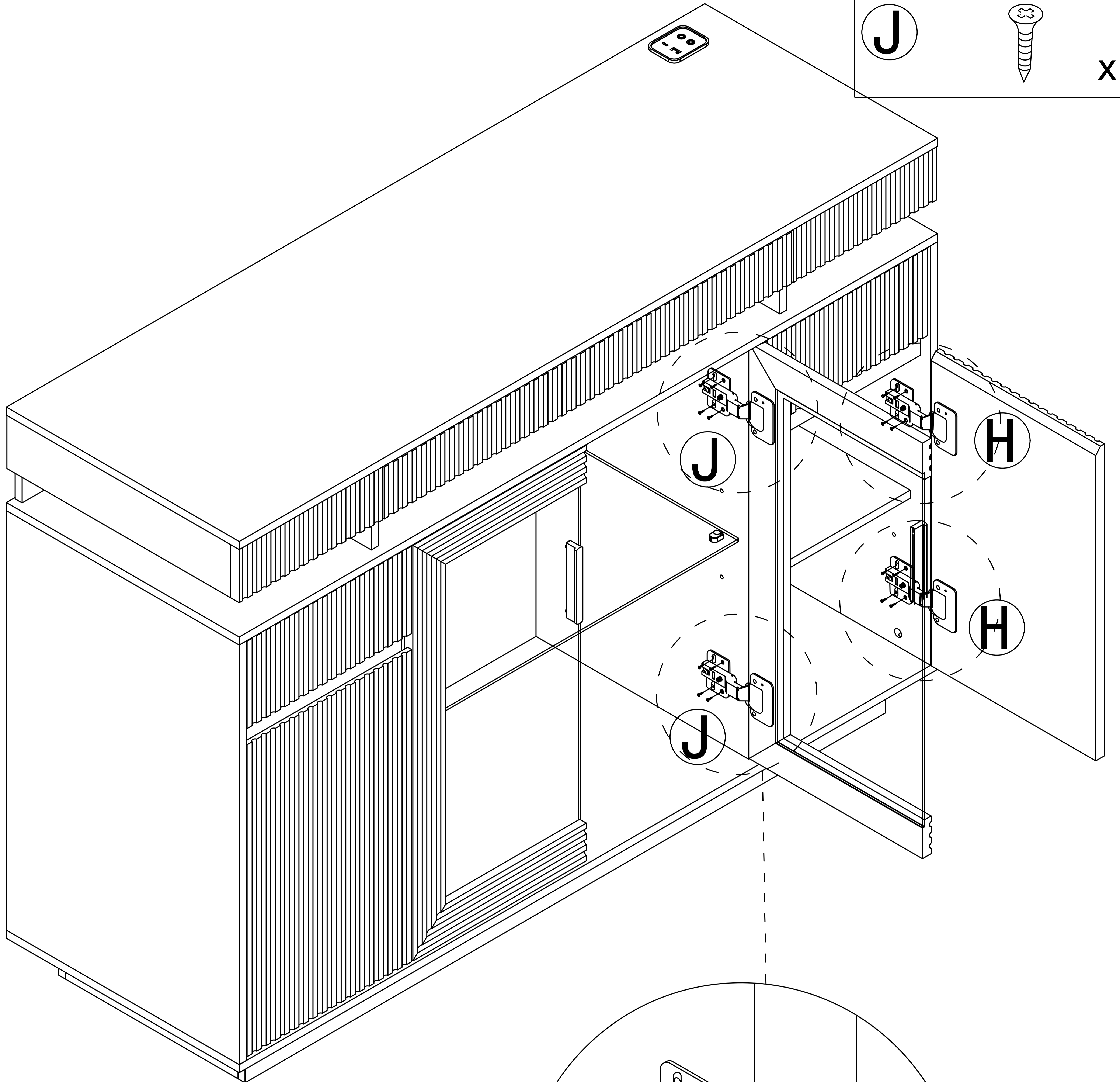


x8

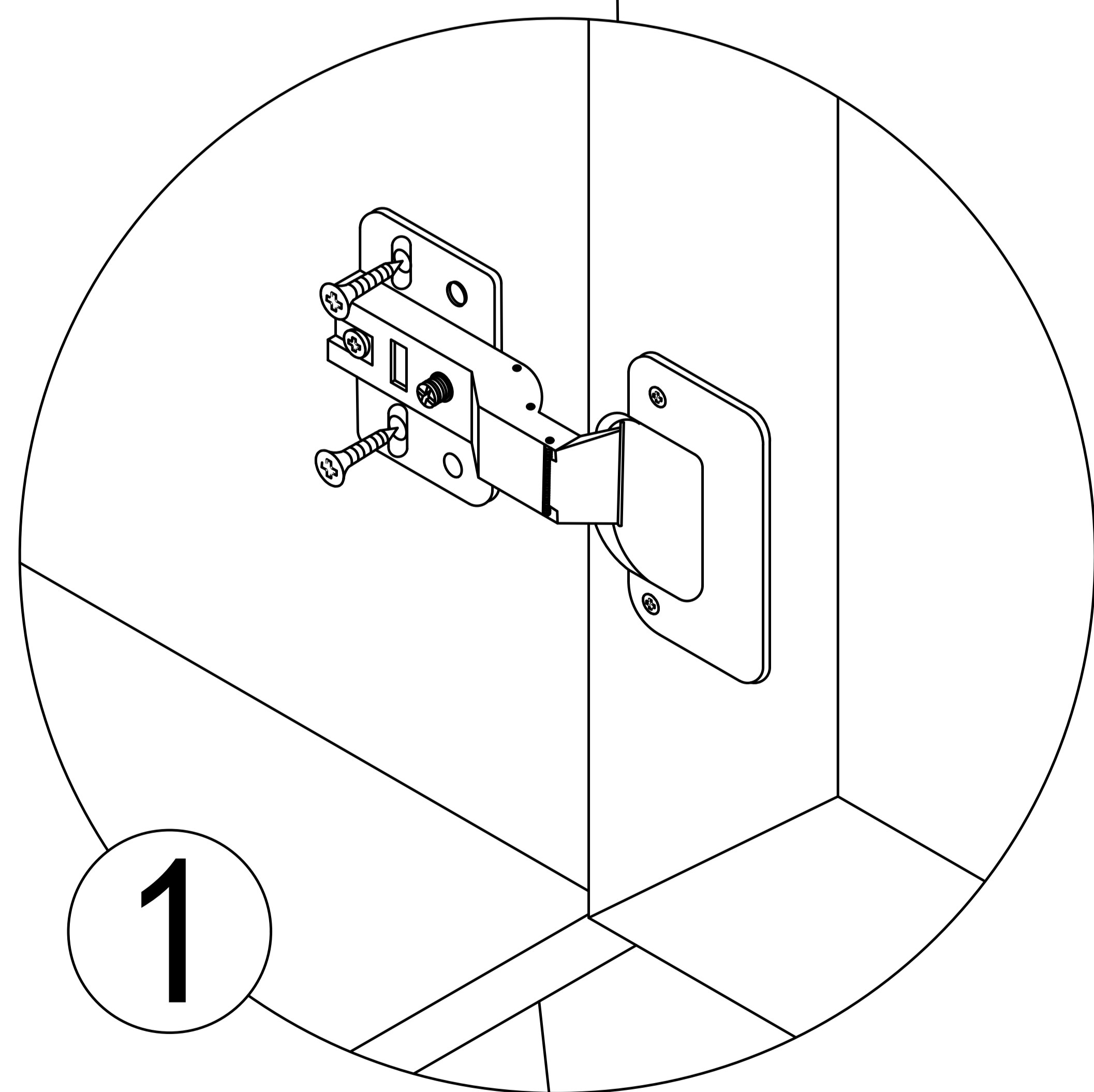
J



x8



2

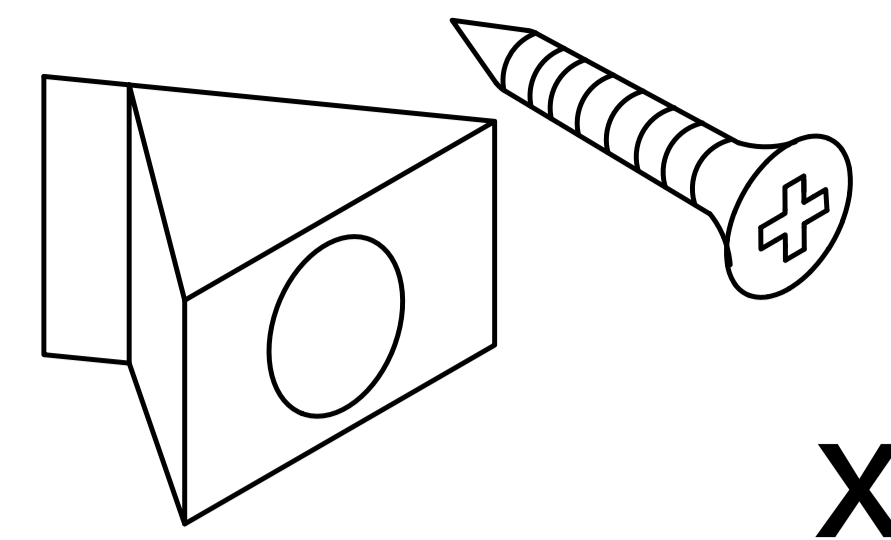


1

**First lock the elliptical hole
then lock the fixed hole**

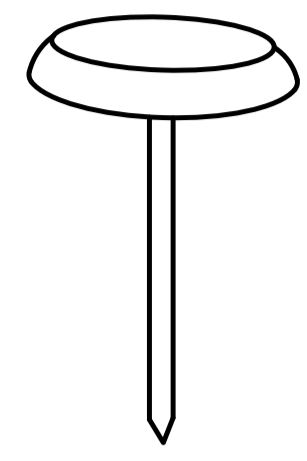
Step 67

I

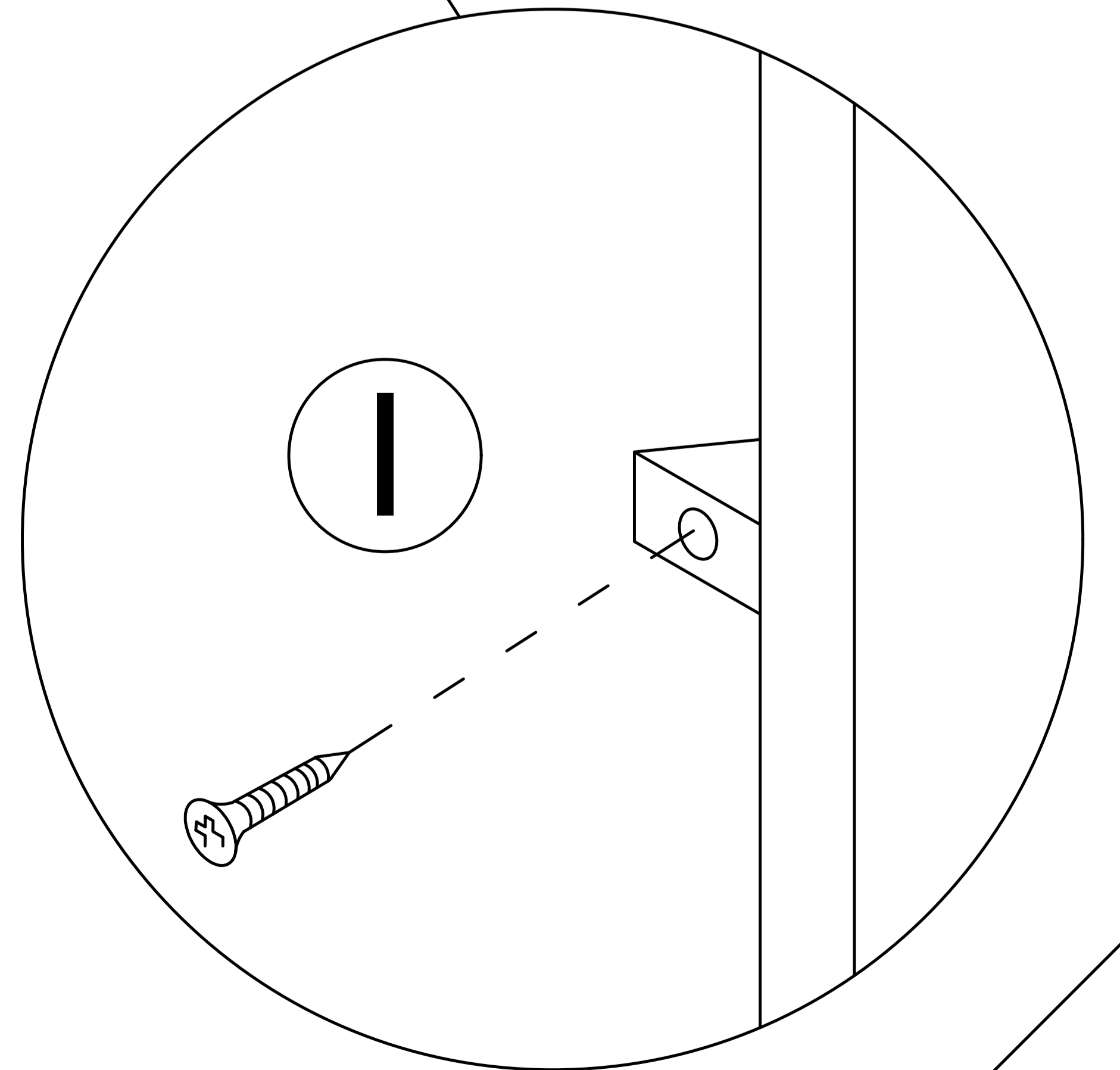
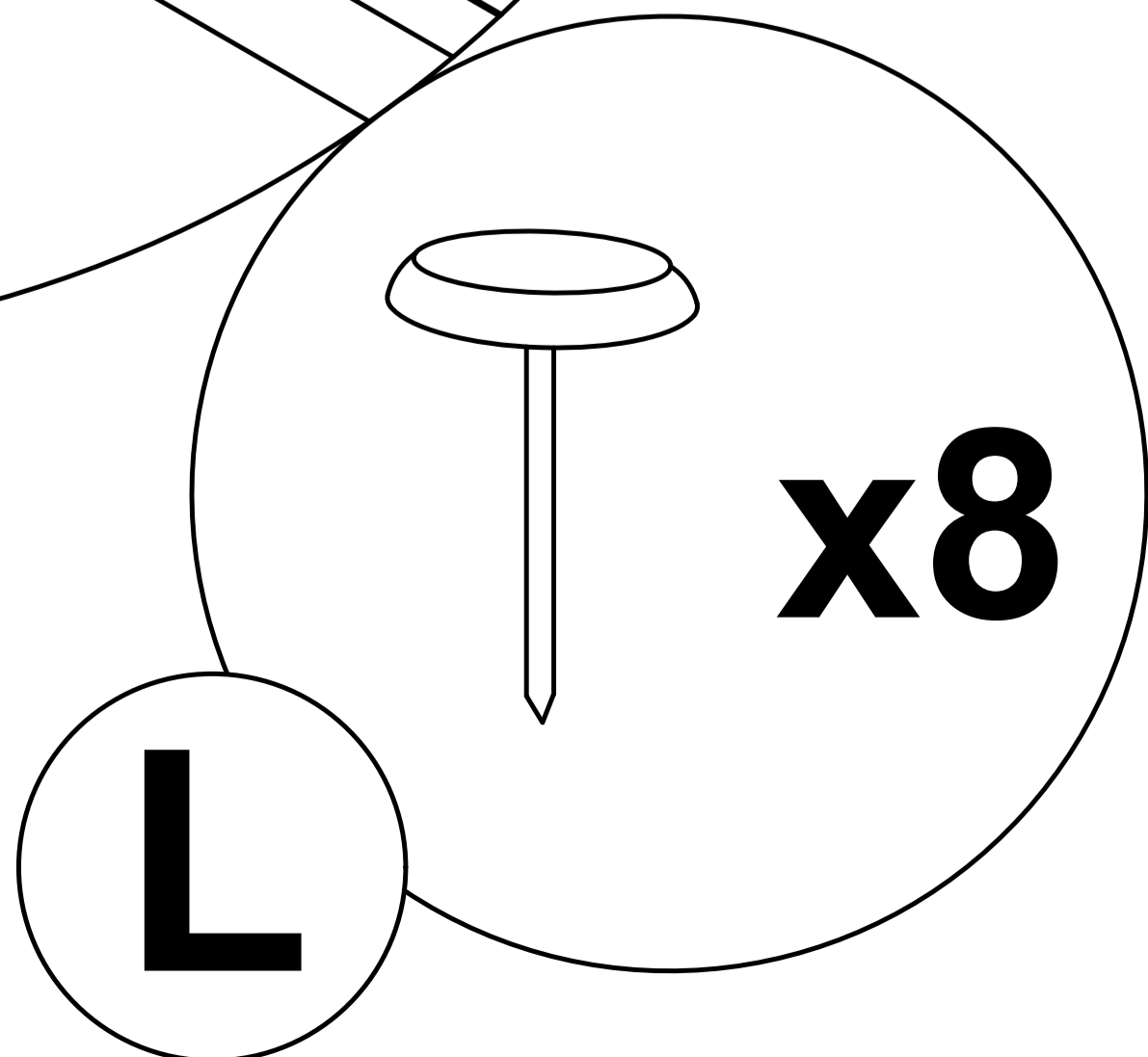
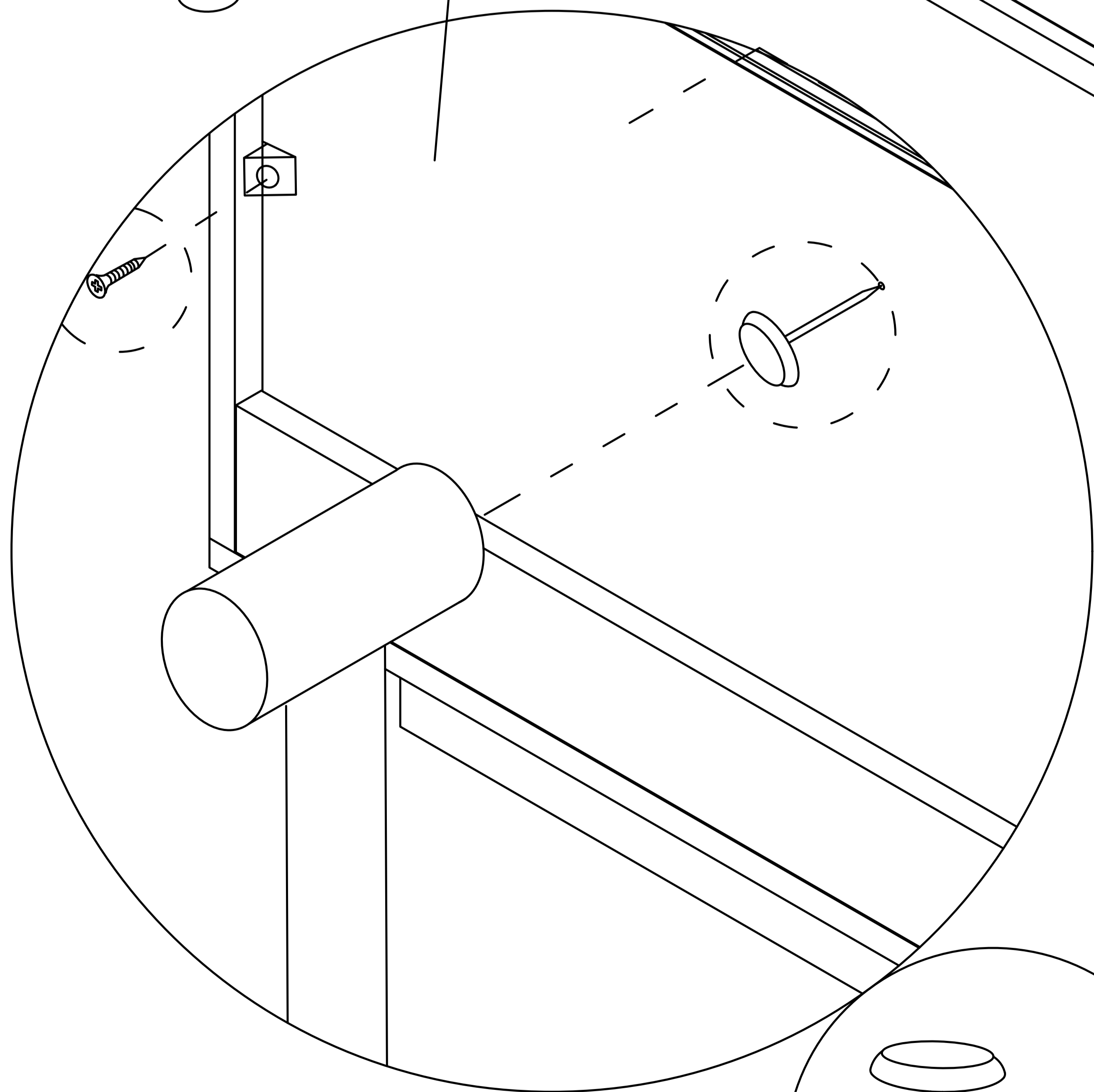
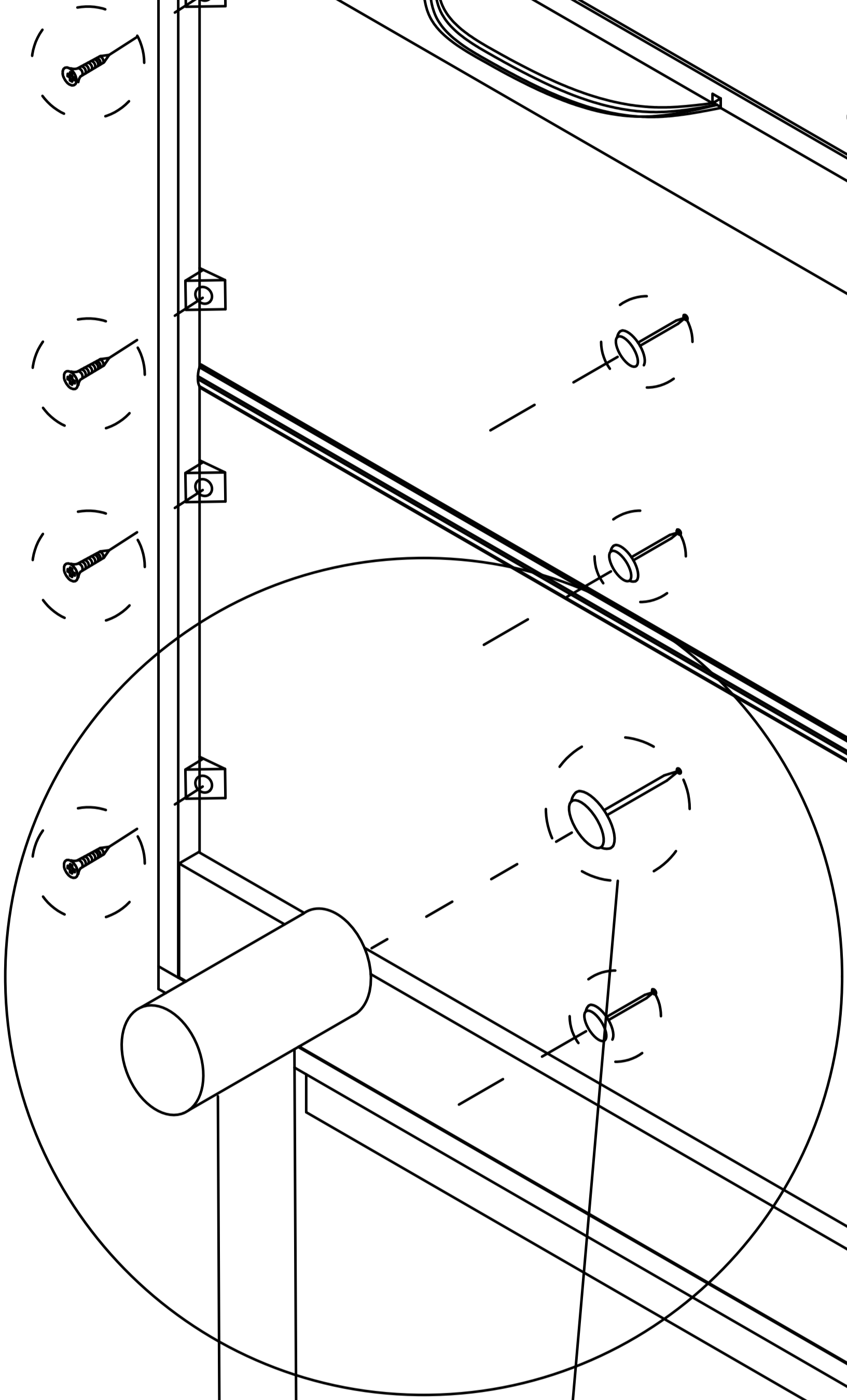
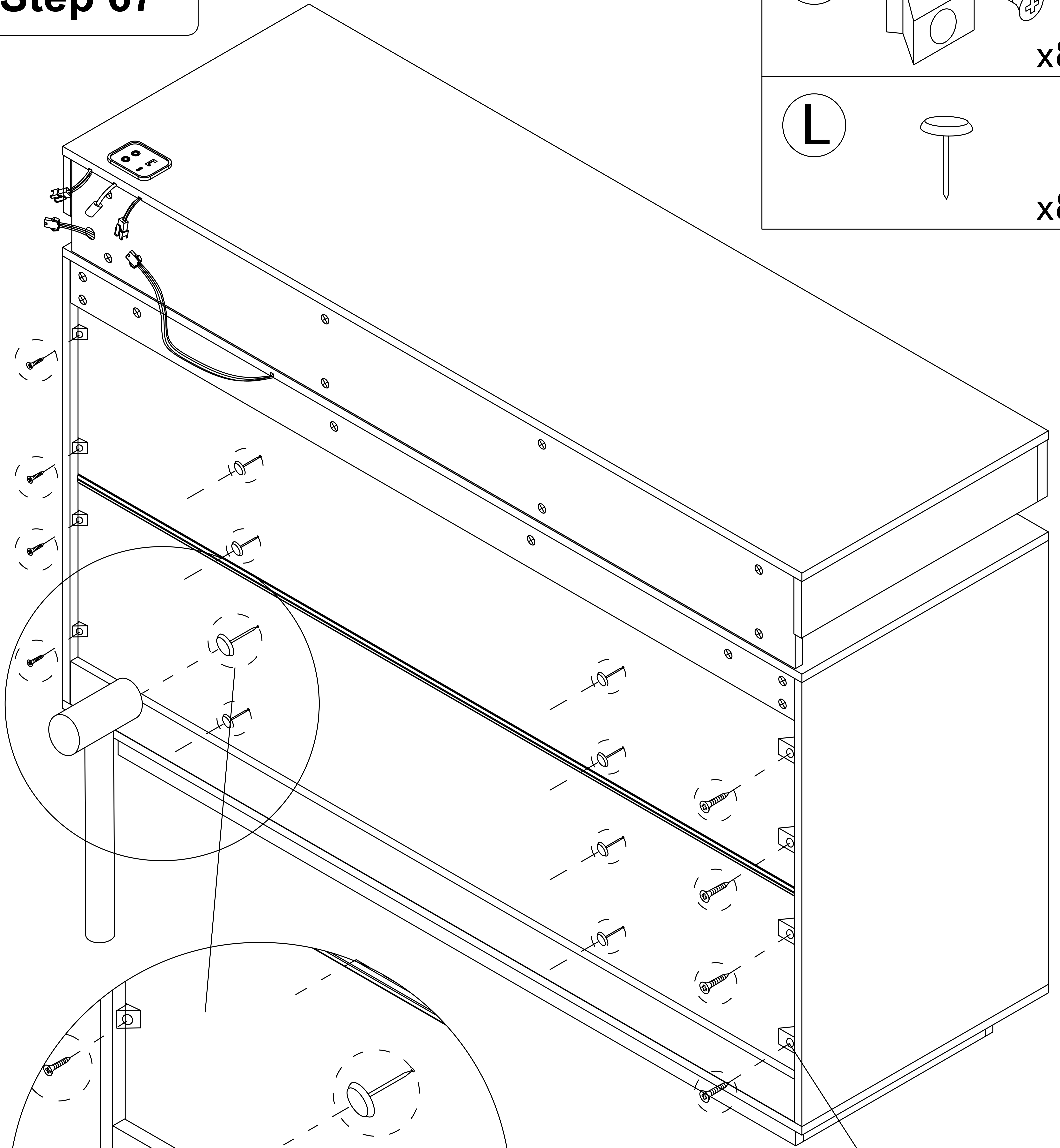


x8

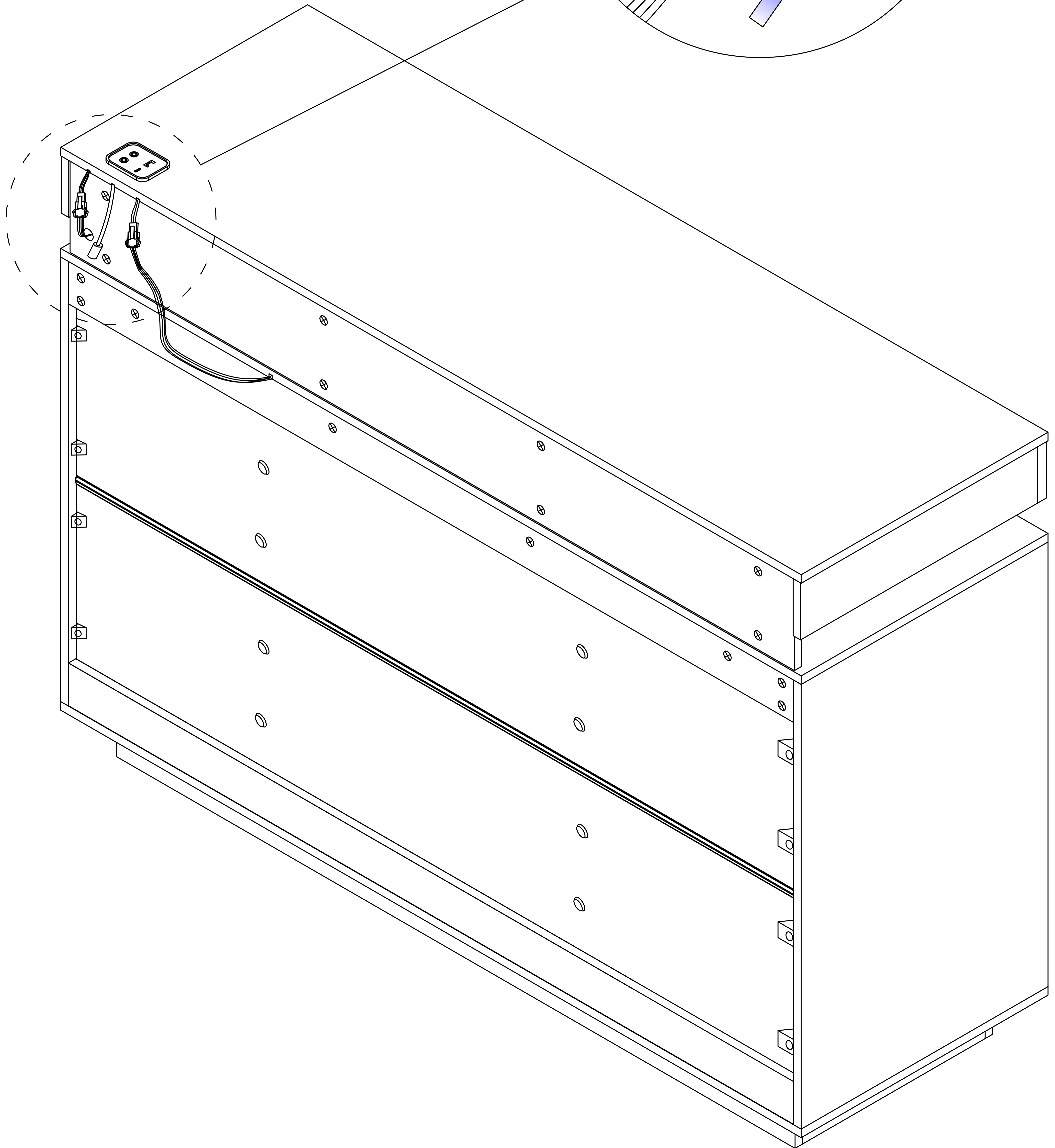
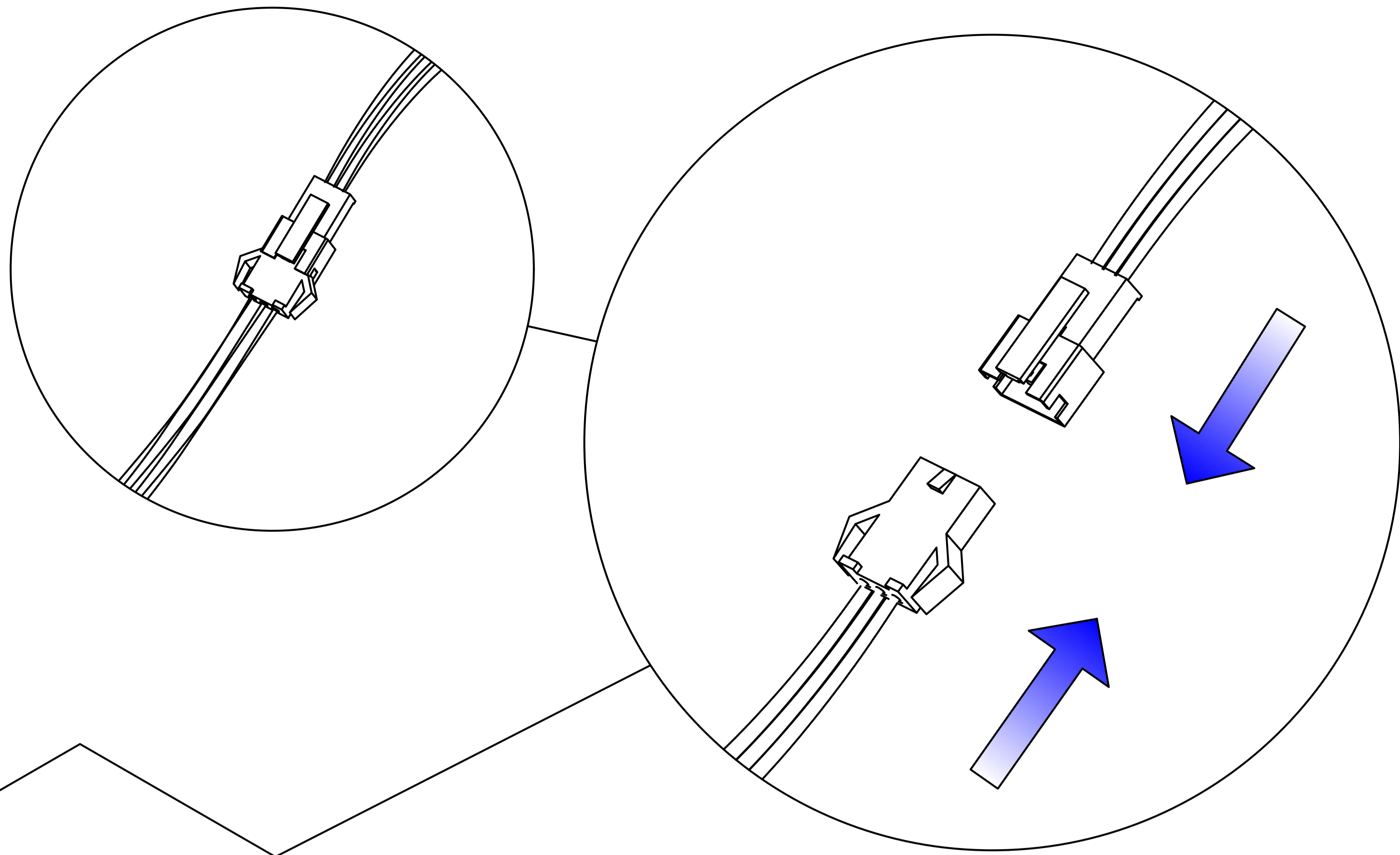
L



x8

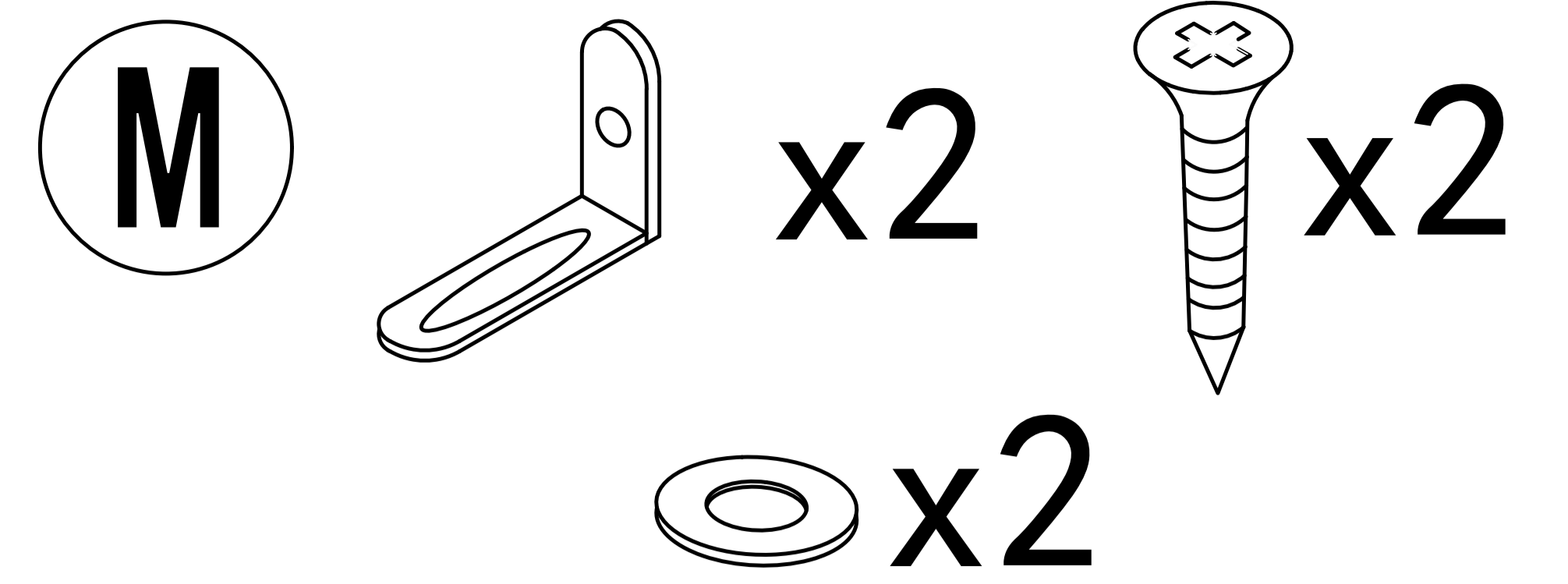


Step 68

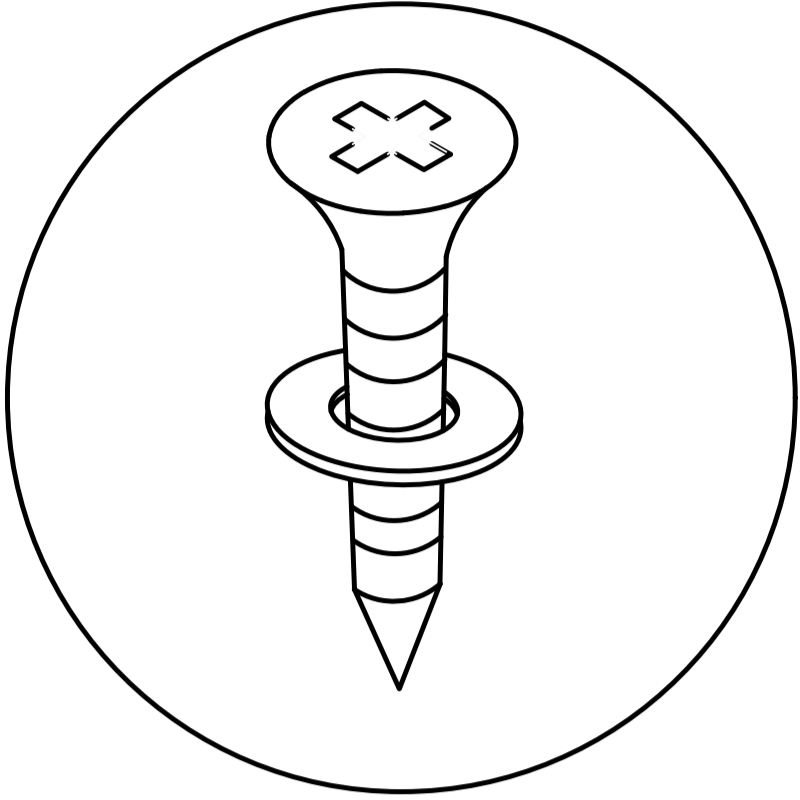


Step 69

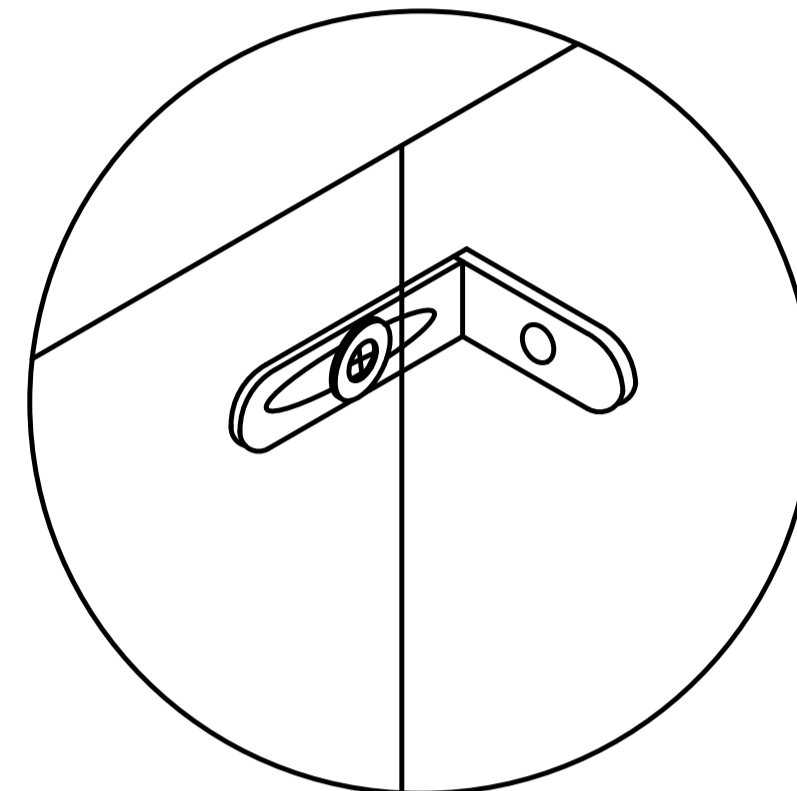
Install as required



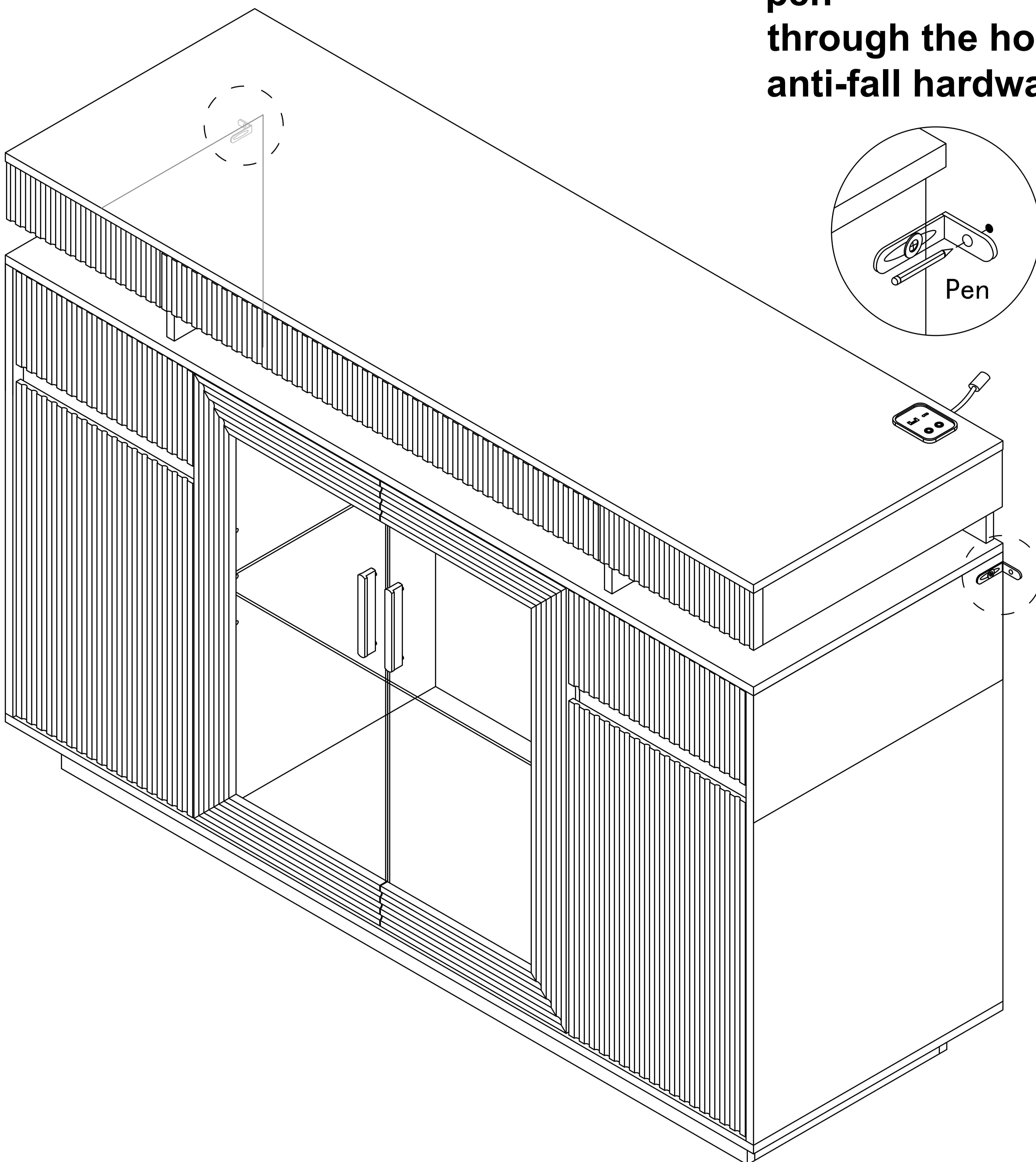
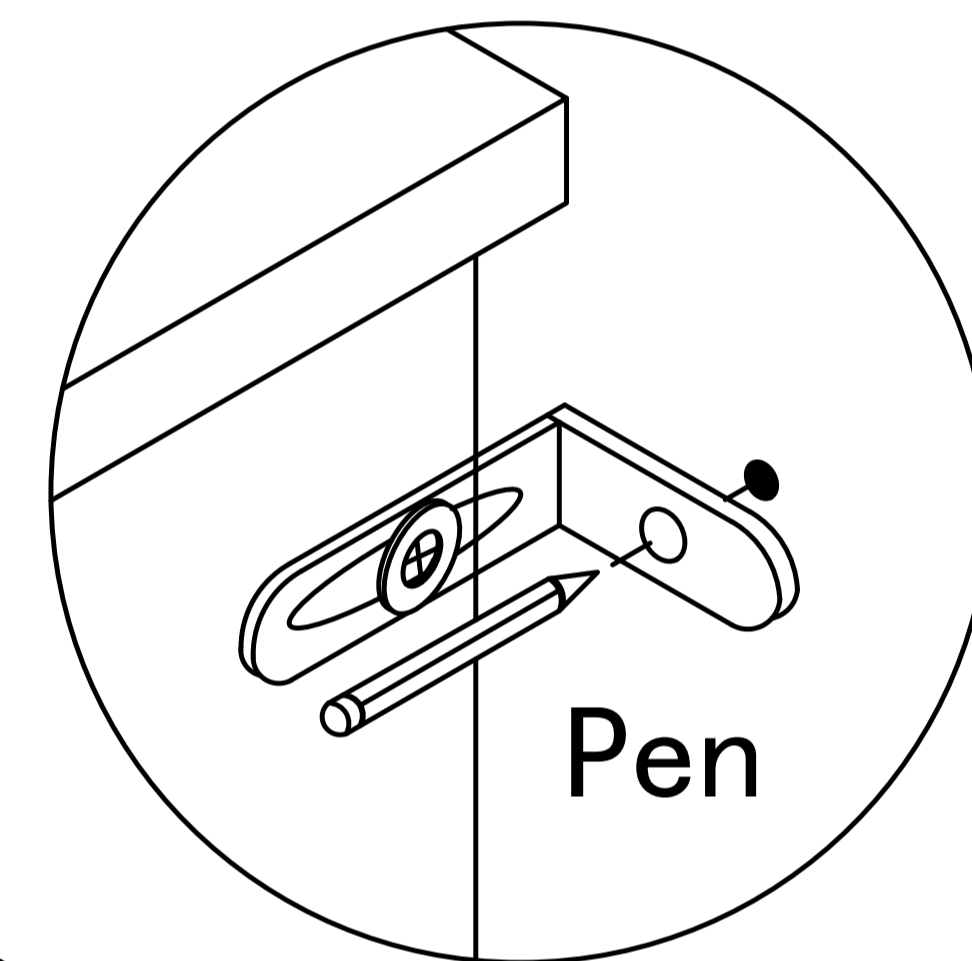
3.5x14mm



Install the anti fall hardware on the cabinet as shown in the picture first



Then mark the wall with a pen through the holes in the anti-fall hardware



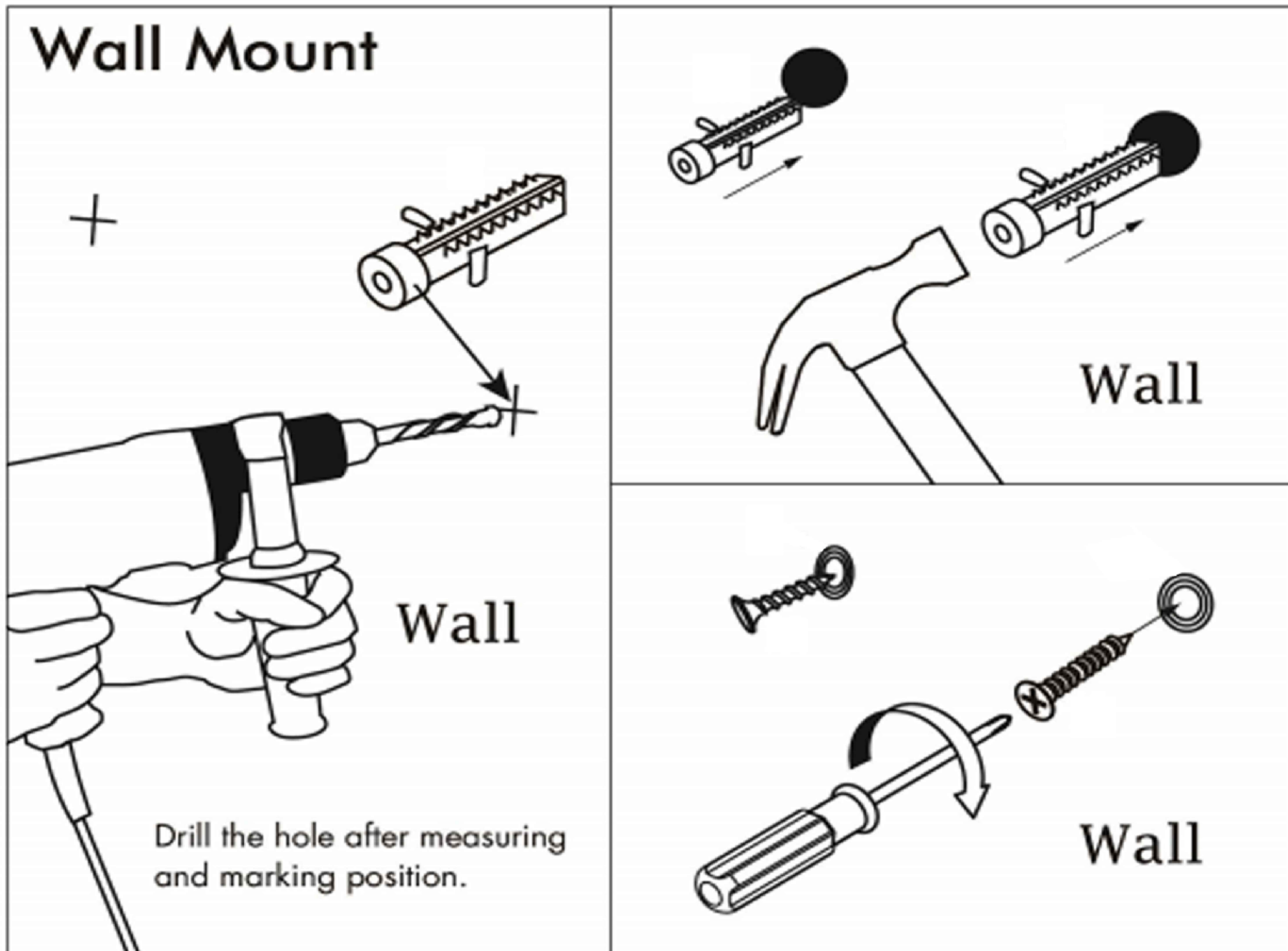
Step 70

M

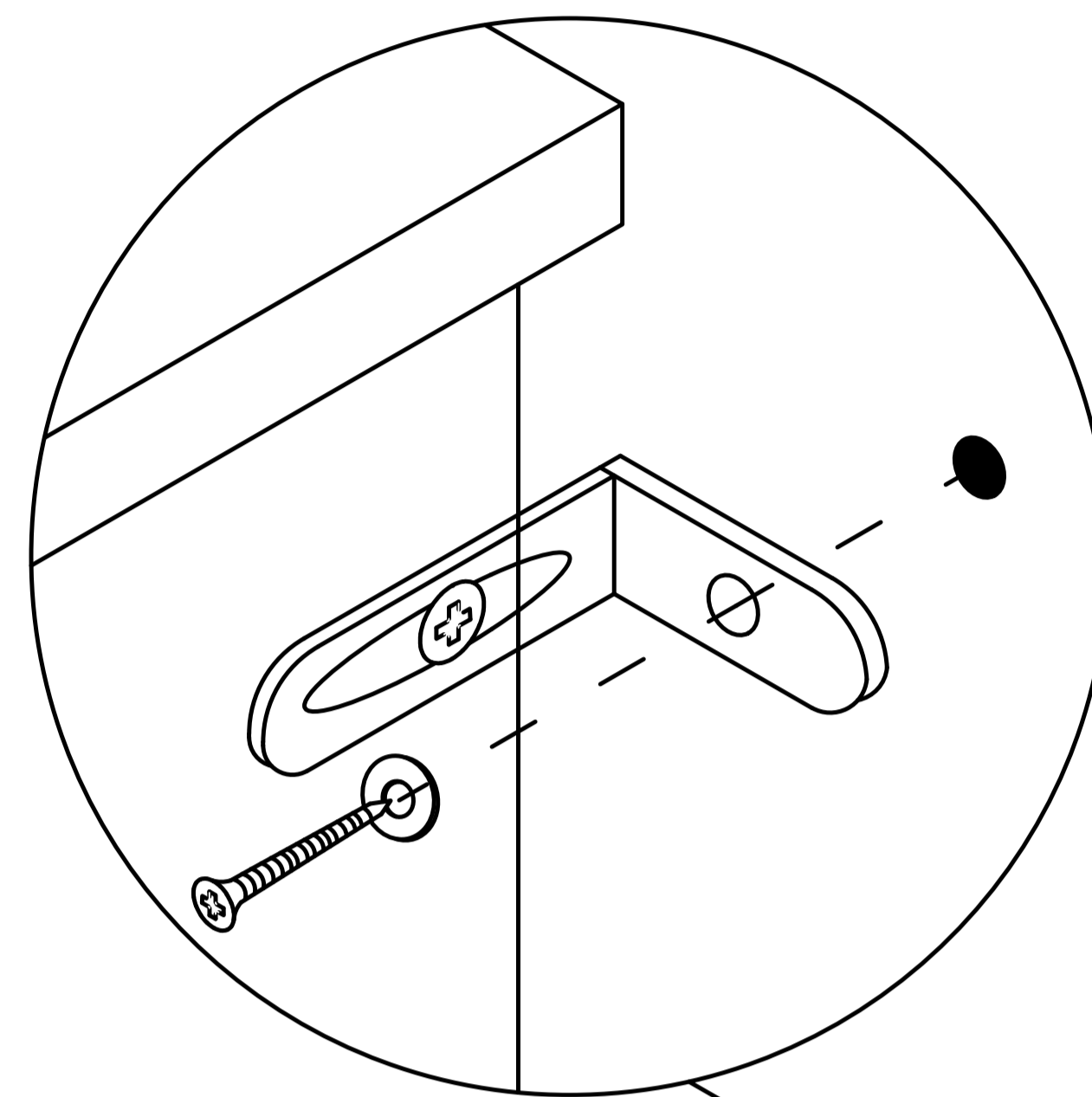
x2

x2

x2

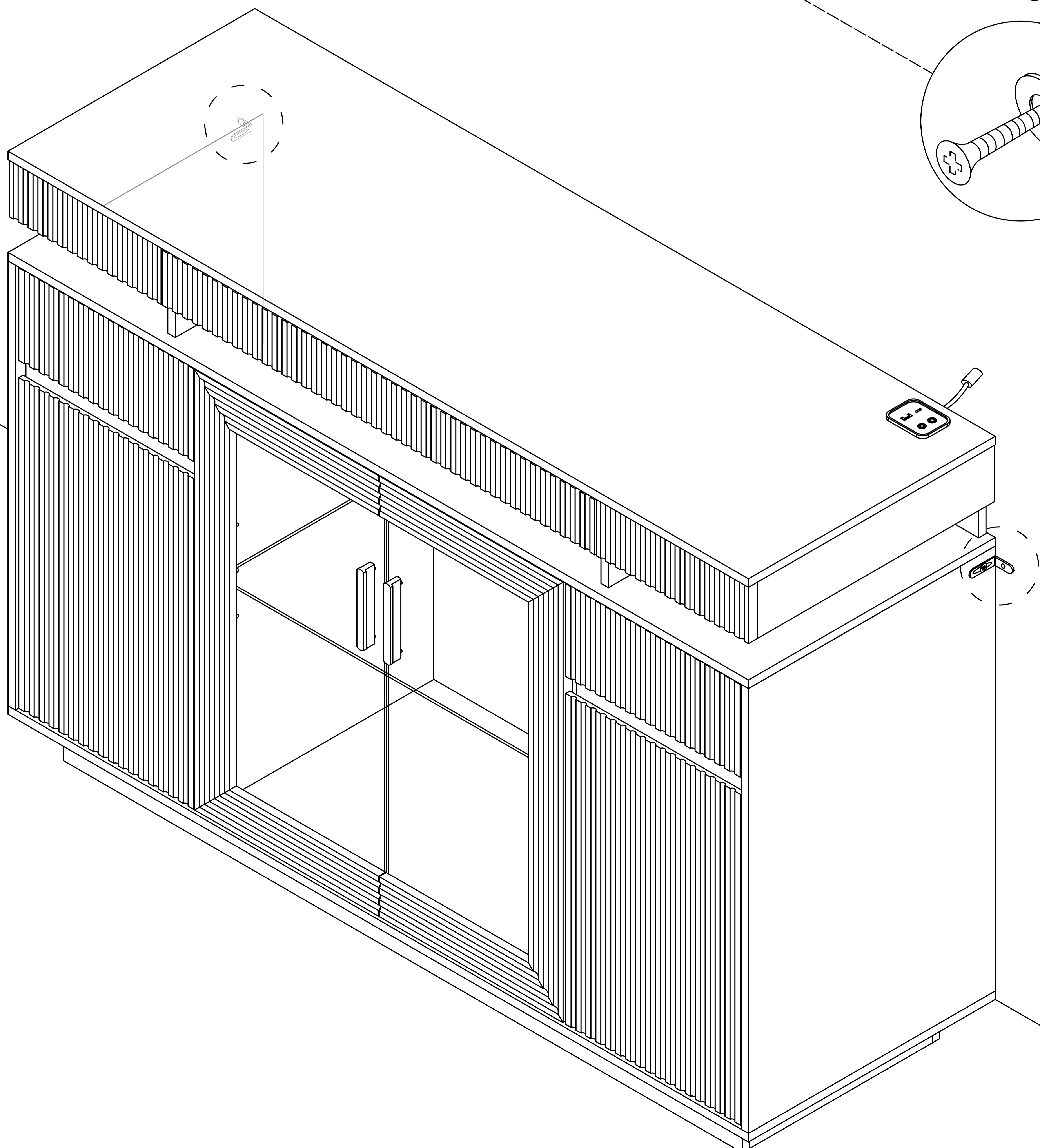
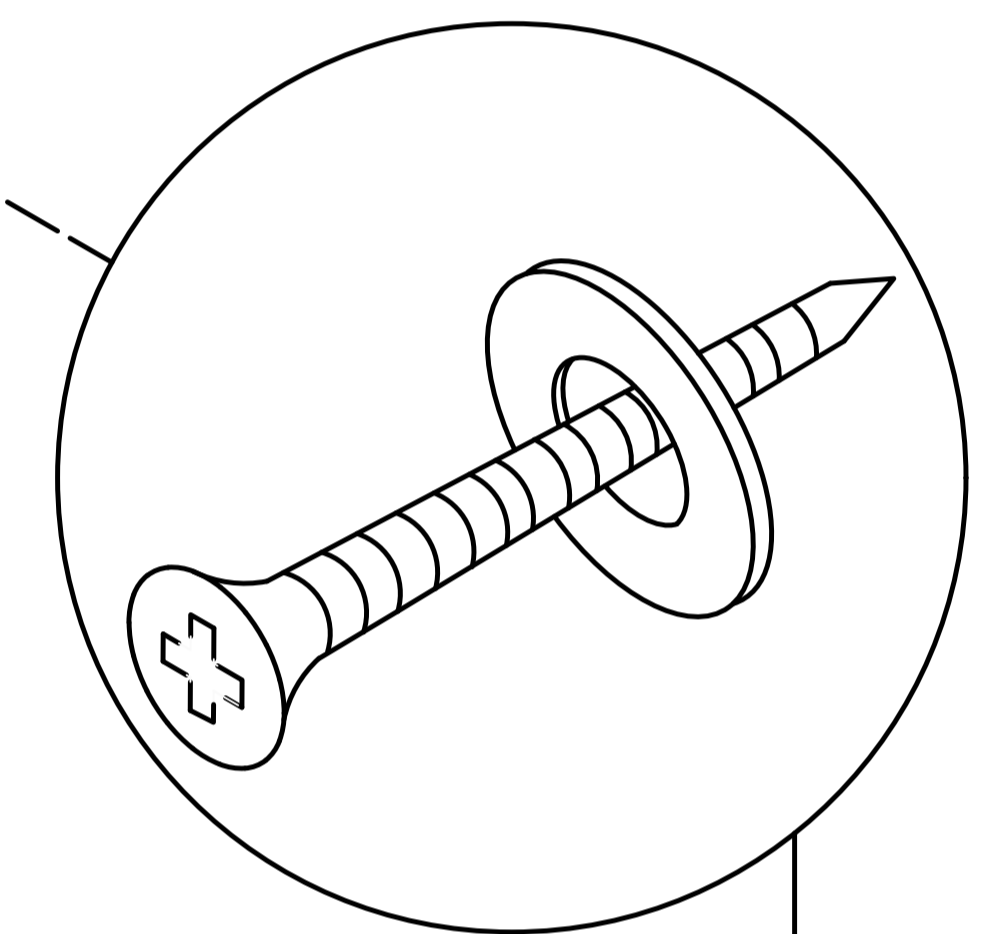


Drill the hole with an electric drill and punch in the colloidal particles

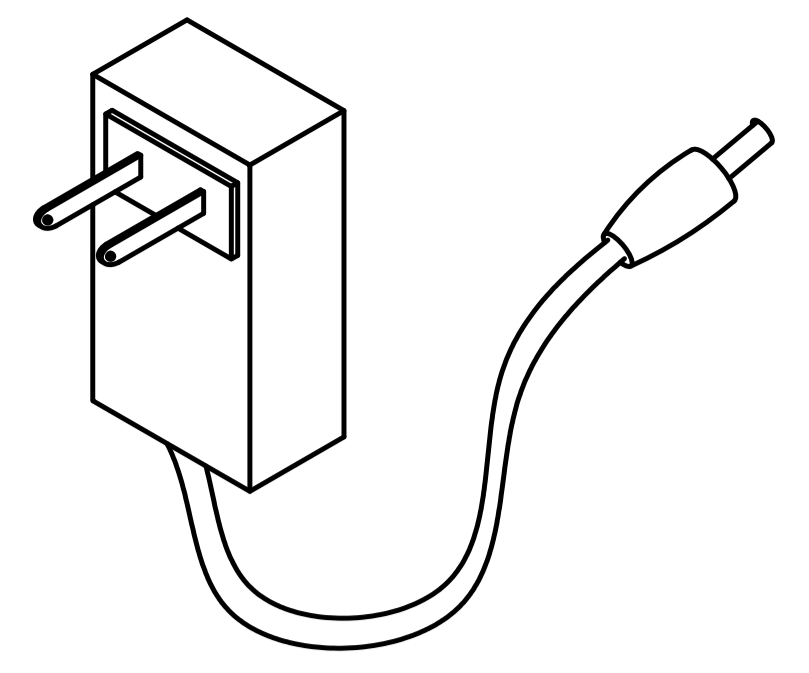


Fix the table to the wall

4x45mm

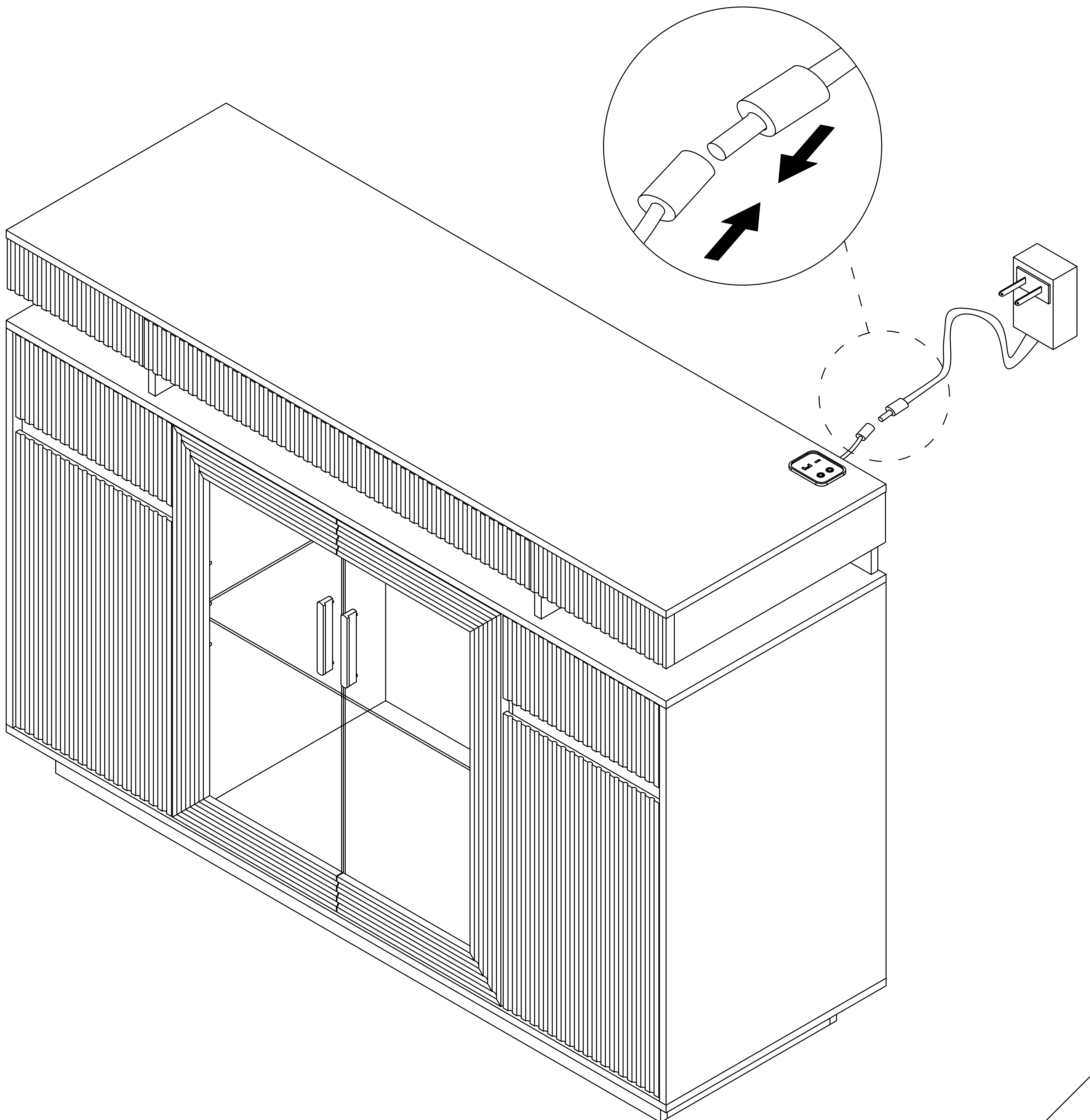


Step 71



x1

The bedside table supports wireless charging ,
It can be charged by placing a mobile phone
that supports wireless charging



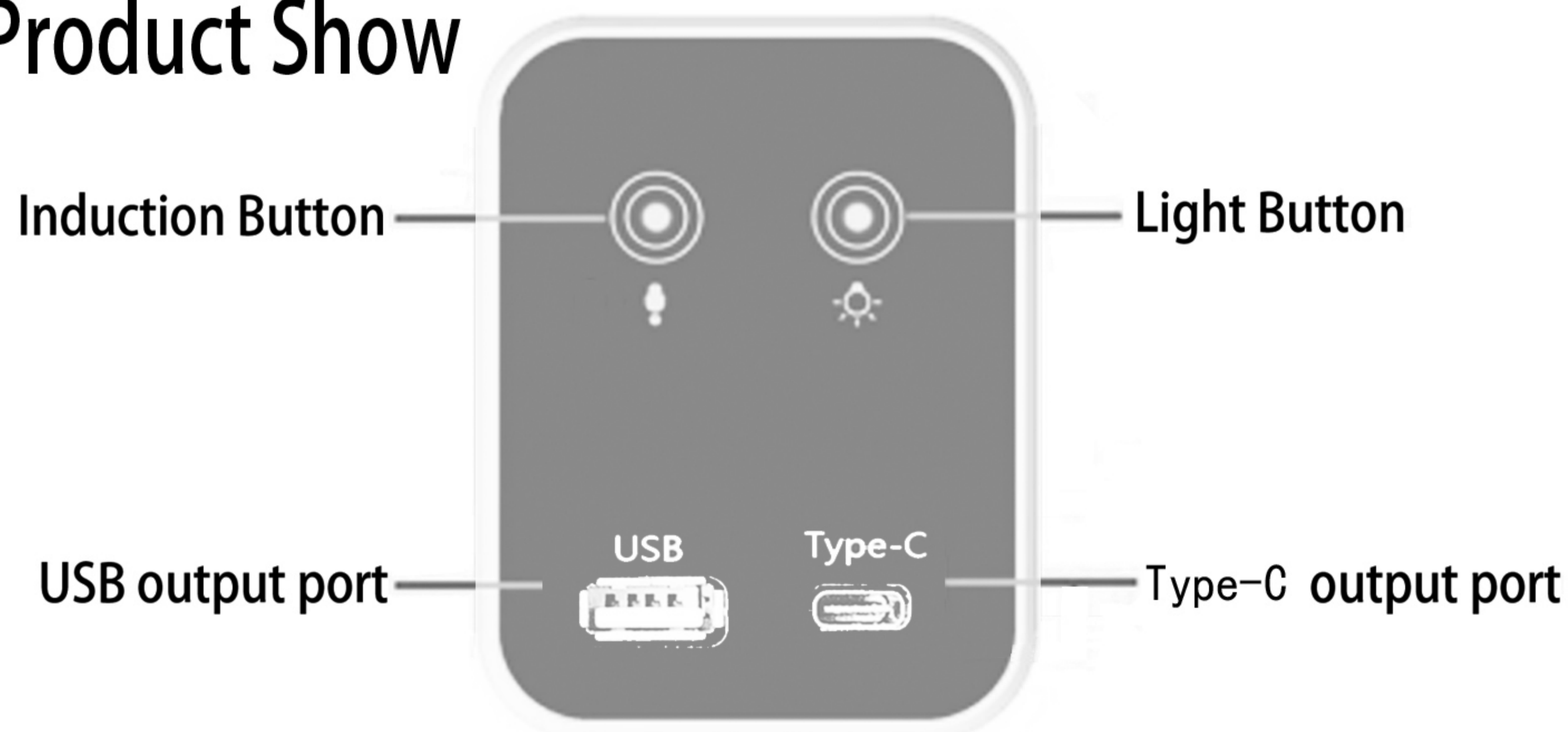
User's Guide

Thank you for purchasing this product. To use this product, please plug it into a 12V DC power supply. Please use if the product works normally after connecting to power.

Introduction

The box is an intelligent controller. It has 1 USB port and 1 type-C port and can distribute the current output up to 5V DC-2A. With 2 touch buttons, it can turn ON/OFF the light, change light colors, and adjust the light luminance.

Product Show



ATTENTION PLEASE

1. If there is no touch response suddenly, Re-plug the power to reset the touch static electricity.
2. If bubbles appear on the panel, remove the protective film.

Operation



This touch button is used to turn on/off, change colors, and adjust brightness.

A. Short touch -> lighting on -> short touch -> change light color -> short touch -> change light color -> short touch -> lighting off. B. Long touch -> adjust the luminance



This touch button is used to turn on/off the induction function.

A . Short touch to turn on the induction function. It can auto-turn on the light when people are close to the controller in 1 meters. It can auto power off the light when the body is far away from the controller after 30 seconds.

B . Long touch to turn off the induction function.

C . Note: When you touch the light button to change the light modes, the induction function will automatically turn off. It is best to turn on this function after selecting the light color and adjusting the brightness you want.