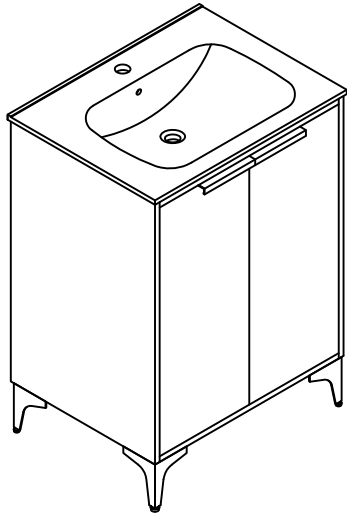
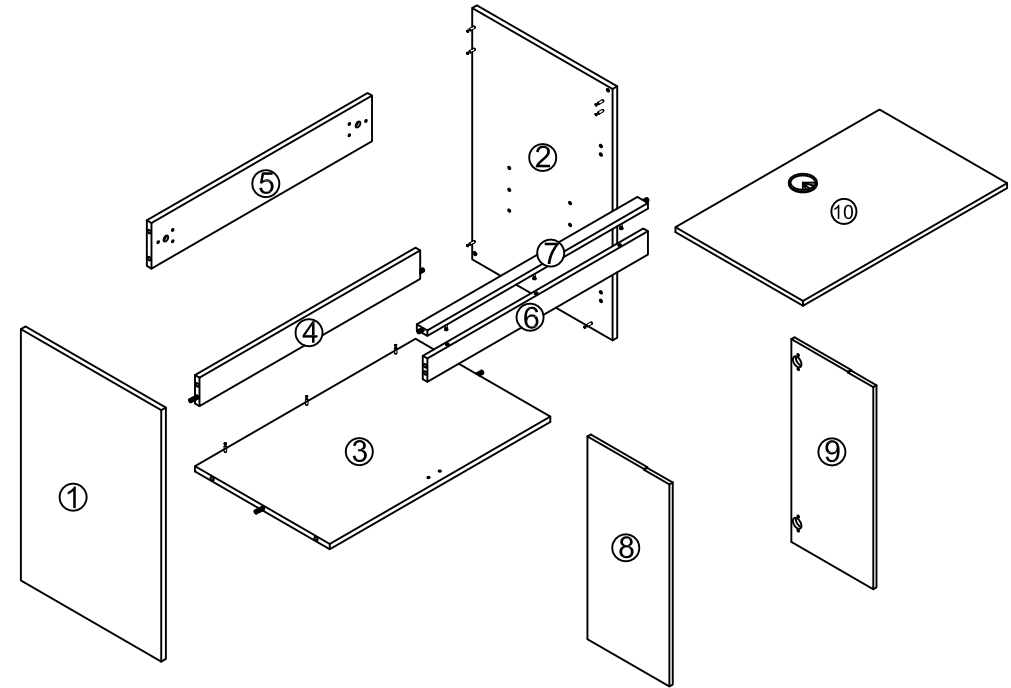


Assembly Instruction

Item No.:500210-24



Components

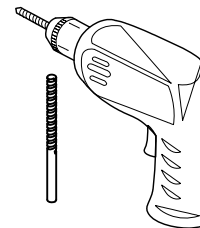


Hardware

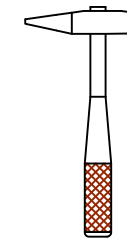
NO.	Draw	QTY
A	Screws Ø4x14mm	44
B	Two-in-one connector	20
C	Two-in-one connector	20
D	Wood plug	6
E	Bracket (53x70x44mm)	2
F	Plastic anchor(Ø10mm)	2
G	Screws for fix on the wall	2
H	Door stopper	2
I	Bracket (19x19x35mm)	2

NO.	Draw	QTY
J	Hinges	4
K	Handle (Screws Ø4x14mm)	2
L	Movable laminate support	4
M	Metal Feet	4
N	Screws M4x14mm	16
O	Anti-collision gasket	2
P	Screwdriver	1

Recommended tools You Will Need-Outils Requis



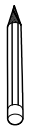
Power drill



Hammer



Silicone

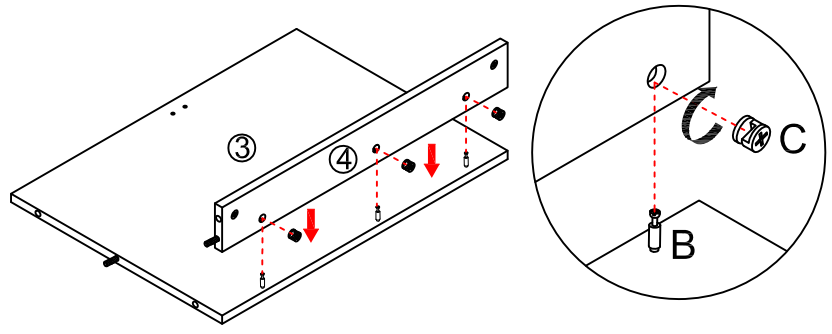


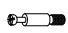


Pencil

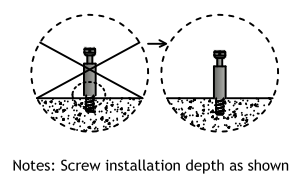
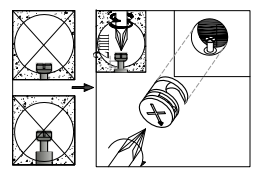


Screwdriver

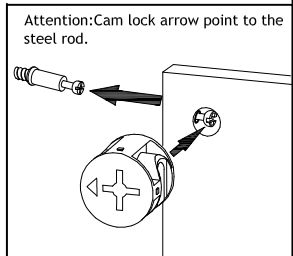
Step 1



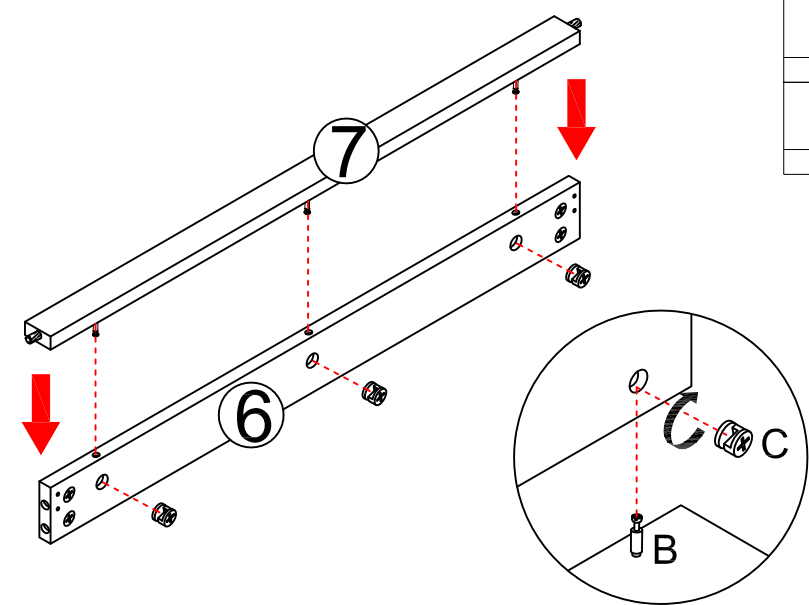
-  x3
-  x3
-  x1

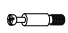




Notes: Screw installation depth as shown

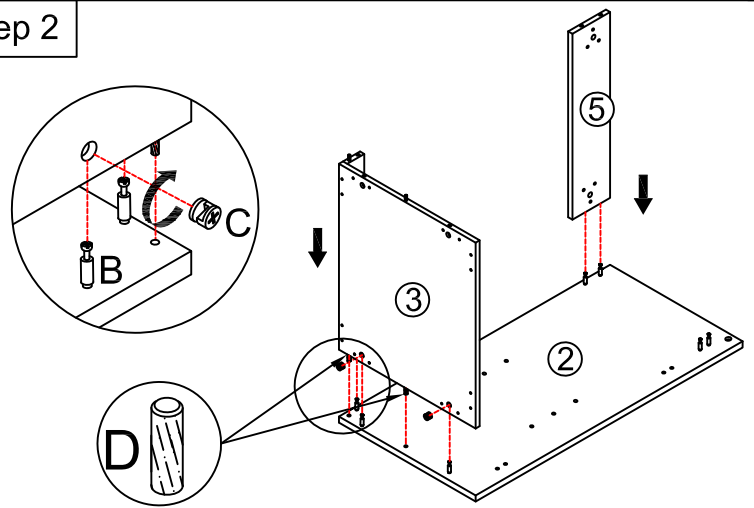


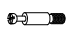



Step 3



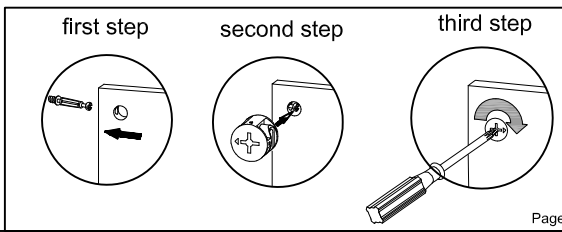
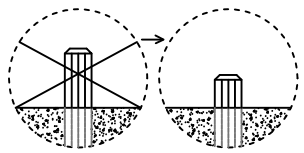
-  x3
-  x3
-  x1

Step 2

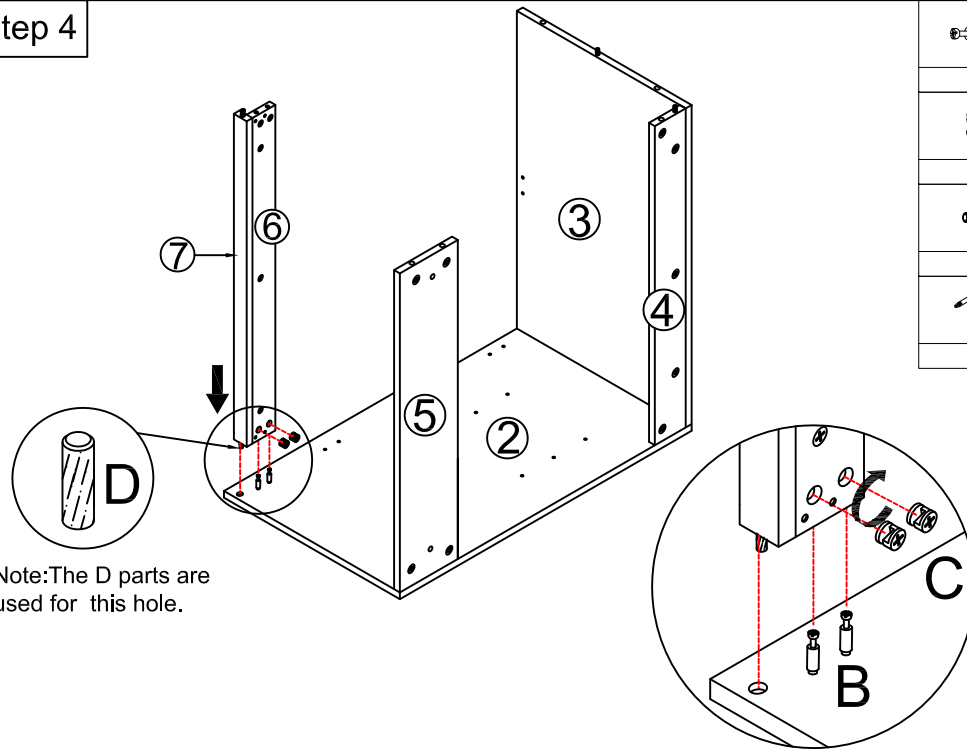


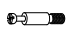



-  x5
-  x5
-  x2
-  x1

Note: The D parts are used for these two holes



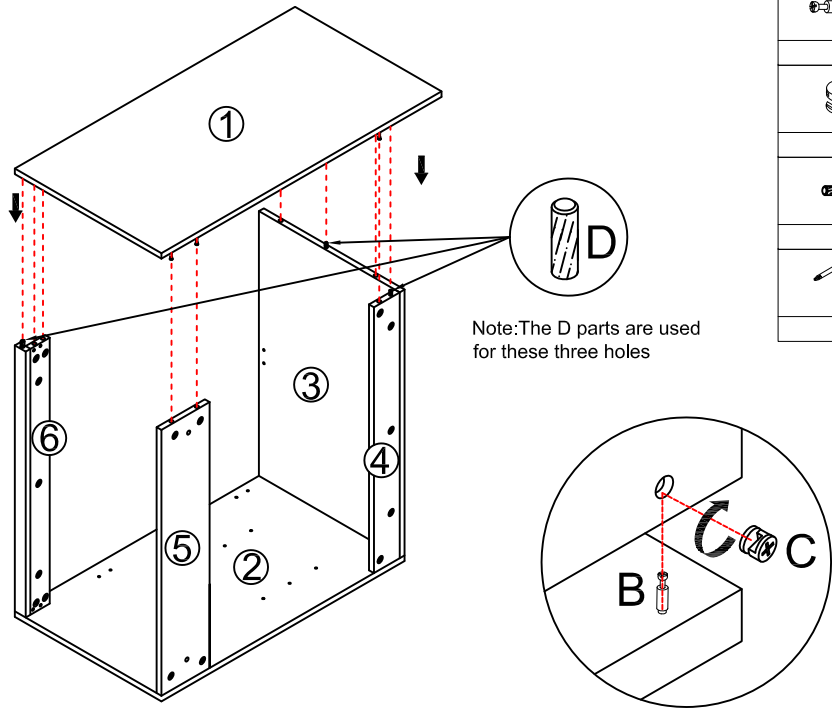
Step 4

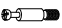





-  x2
-  x2
-  x1
-  x1

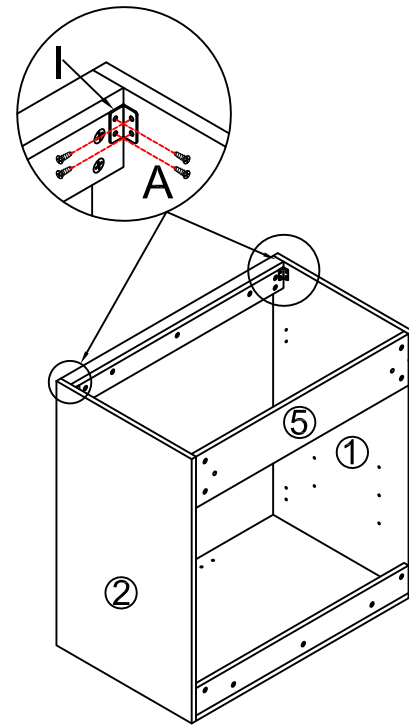
Note: The D parts are used for this hole.




Step 5



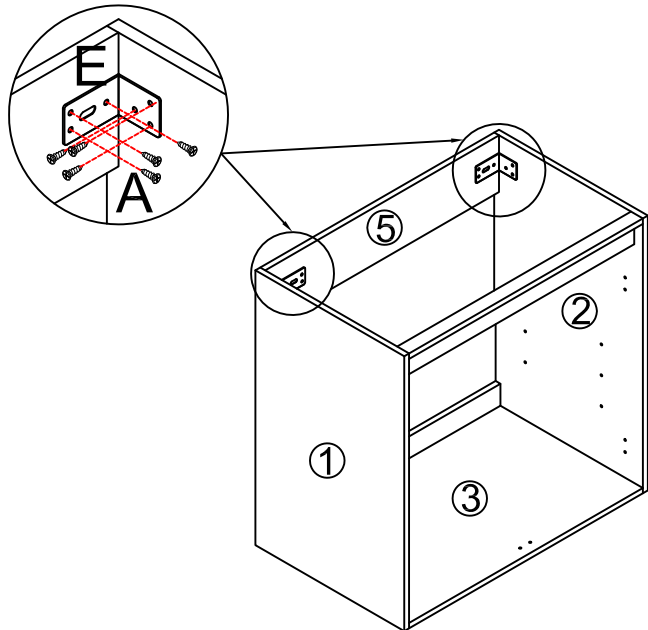
-  x7
- B**
-  x7
- C**
-  x3
- D**
-  x1
- P**




Step 7



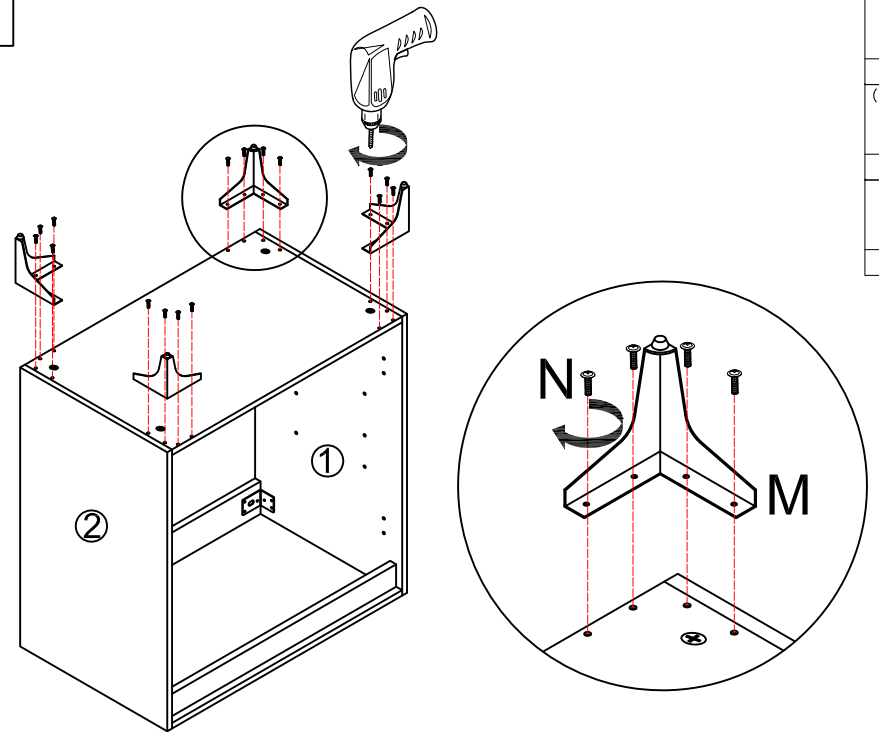
-  x2
- I**
- (∅4 x 14mm)
-  x8
- A**
- 
- Tool**


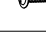

Step 6



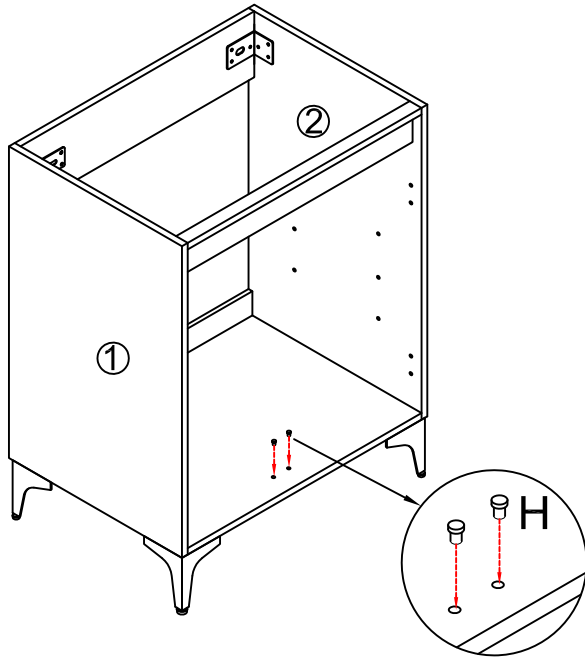
-  x2
- E**
- (∅4 x 14mm)
-  x12
- A**
- 
- Tool**


Step 8



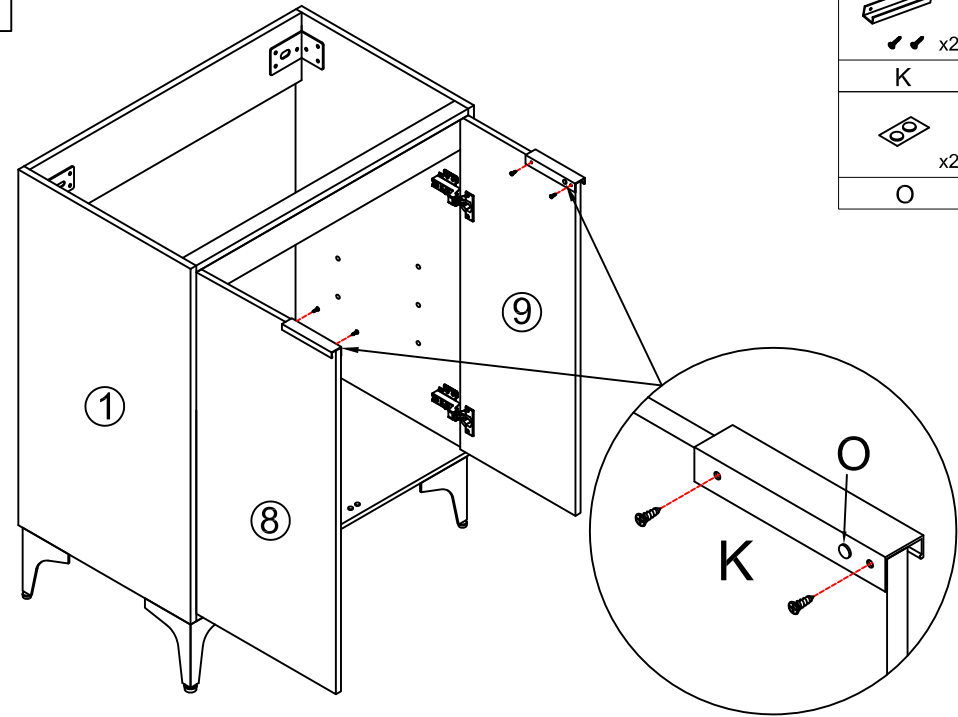
-  x4
- M**
- (M4 x 14mm)
-  x16
- N**
- 
- Tool**



Step 9



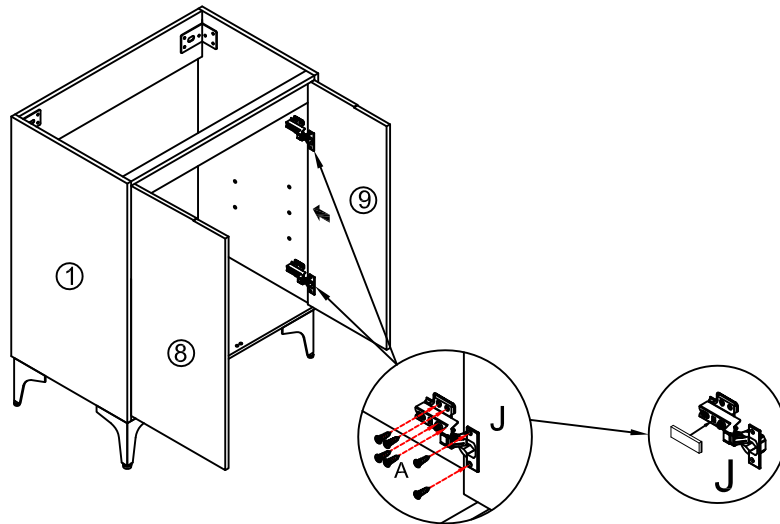
 x2
H


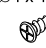

Step 11



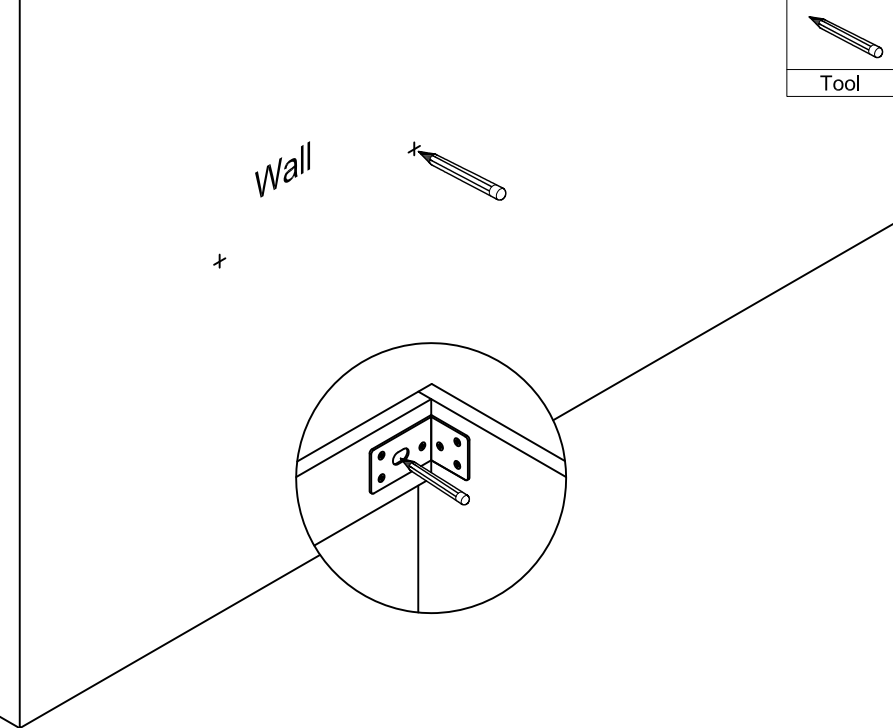
 x2
K
 x2
O


Step 10



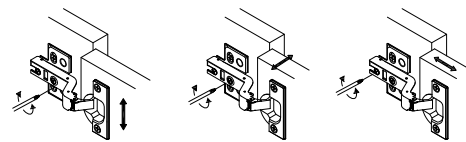
 x4
J
(Ø4 x 14mm)
 x24
A

Tool

Step 12



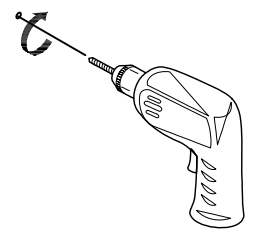

Tool

You can adjust the doors by tightening or loosening the screws on the hinge. →

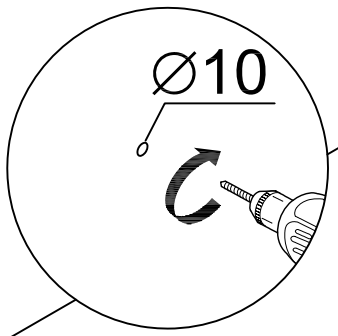


Step 13

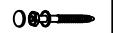
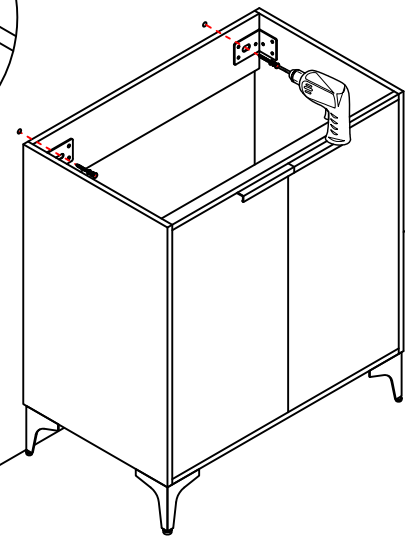
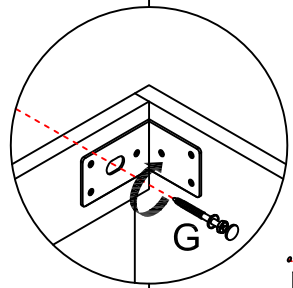
Wall



Tool



Step 15



x2

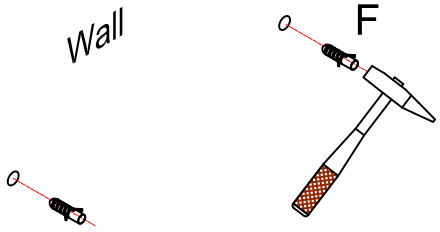
G



Tool

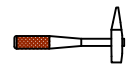
Step 14

Wall



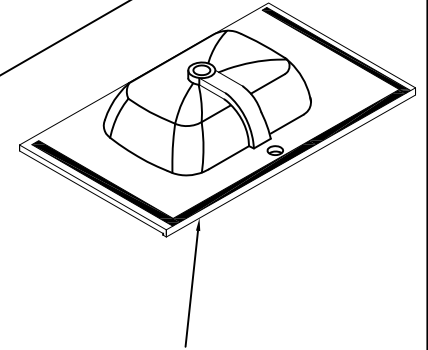
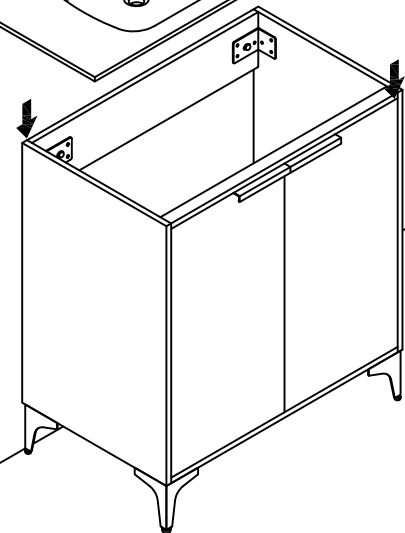
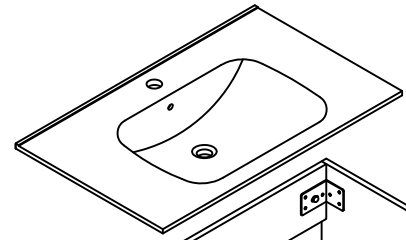
x2

F



Tool

Step 16



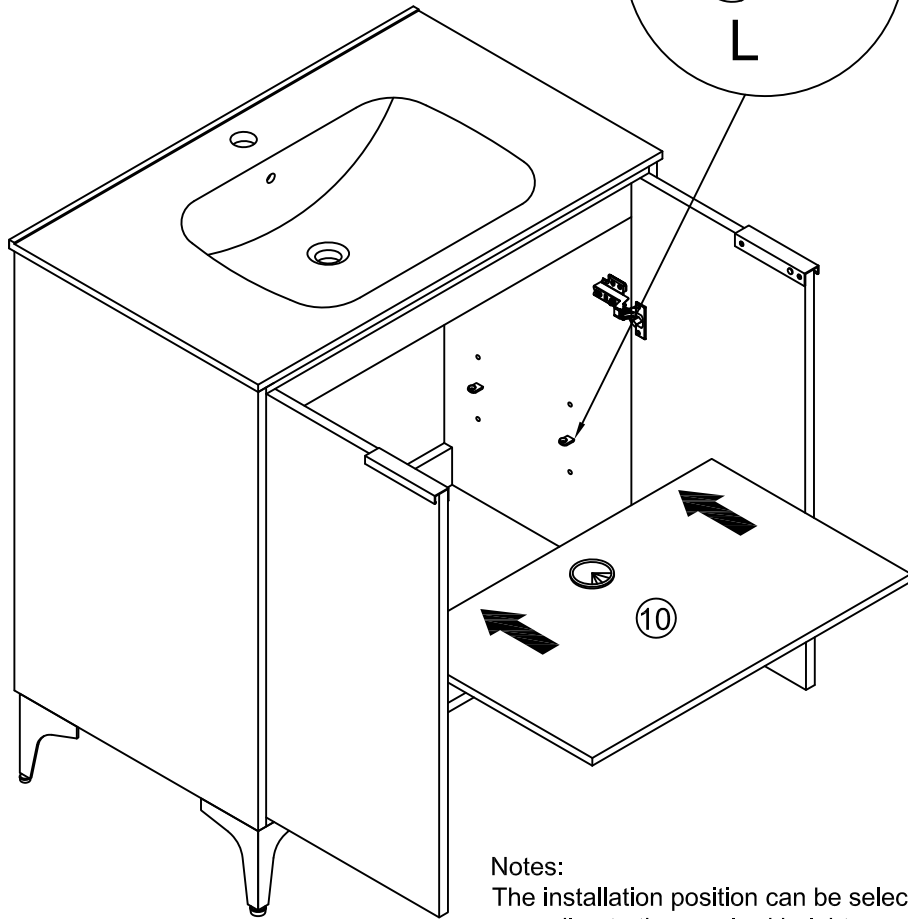
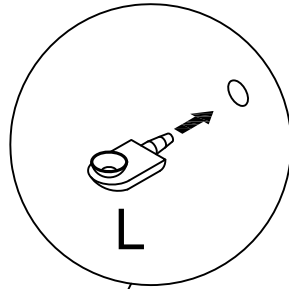
Remove the protective surface of 3M tape from the basin bottom and attach to the cabinet.

Step 17



x4

L



Notes:
The installation position can be selected according to the required height.

Finished

