
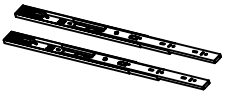
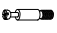





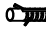

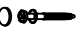






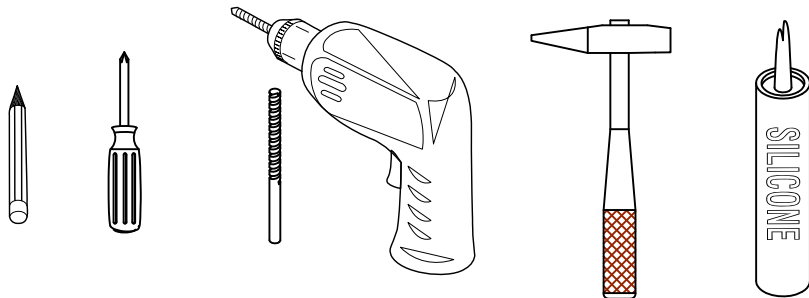


Item NO.:BV B12730

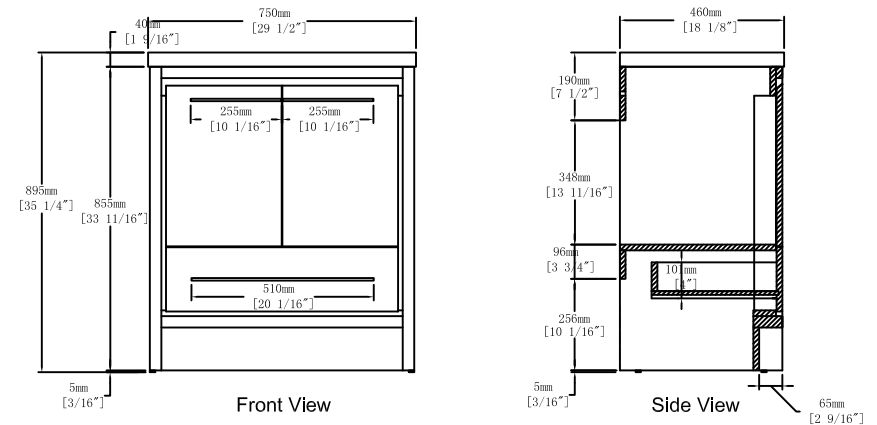
Hardware

NO.	Draw	QTY	NO.	Draw	QTY
A	 Screws Ø4x14mm	56	J	 Track	1
B	 Two-in-one connector	36	K	 Handle(L255mm)	2
C	 Two-in-one connector	36	L	 Handle(L510mm)	1
D	 Wood plug	10	M	 Screws Ø4x20mm	4
E	 Plastic anchor(Ø10mm)	2	N	 Screws M4x20mm	6
F	 Screws for fix on the wall	2	O	 Adjustable feet	4
G	 Bracket (53x70x44mm)	2	P	 Anti-collision gasket	8
H	 Bracket (19x19x35mm)	2	Q	 Screwdriver	1
I	 Hinges(Half cover)	4			

Recommended tools



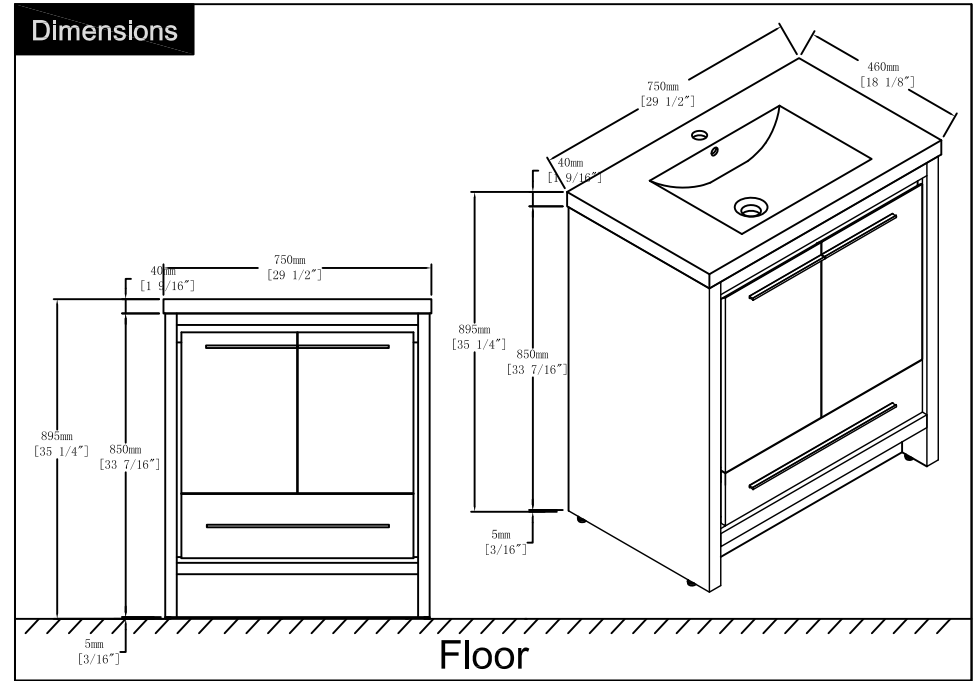
Dimensions



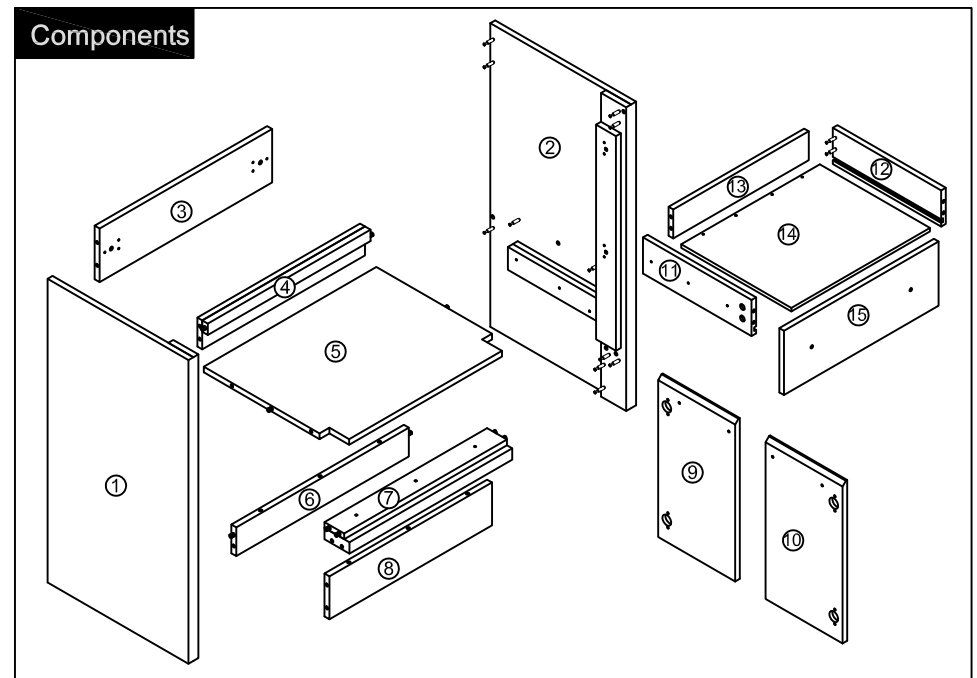
CARE CLEANING AND MAINTENANCE

1. Dust regularly with a soft , dry cloth.
2. Avoid the use of all chemicals household cleaners, abrasives, or cleaners that contain lemon, vinegar, or other acids that may damage the finish.
3. Excessive exposure to sunlight and extreme changes in temperature and moisture can damage wood furniture.
4. The sink is fragile, please pay attention to maintaining its appearance.
5. Do not place hot appliances, such as curling irons and hot hair dryers directly on the countertop. Wipe spills immediately.

Dimensions



Components



Step 1

Notes: Screw installation depth as shown

Attention: Cam lock arrow point to the steel rod.

- Screw B x3
- Washer C x3
- Steel rod Q

Step 2

Notes: Screw installation depth as shown

first step second step third step

- Screw B x3
- Washer C x3
- Steel rod Q

Step 19

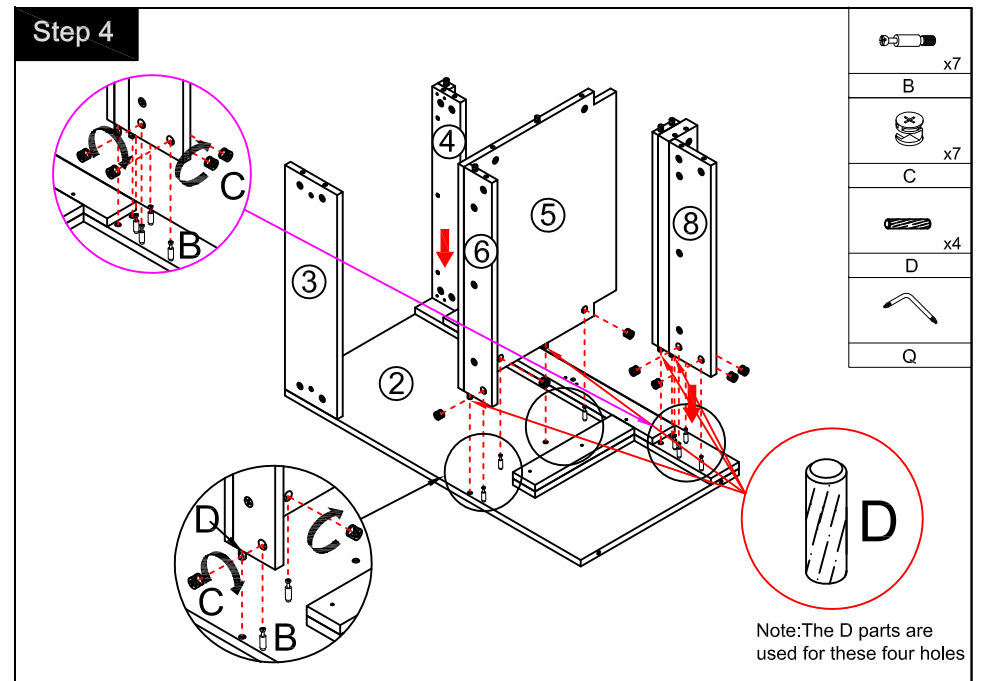
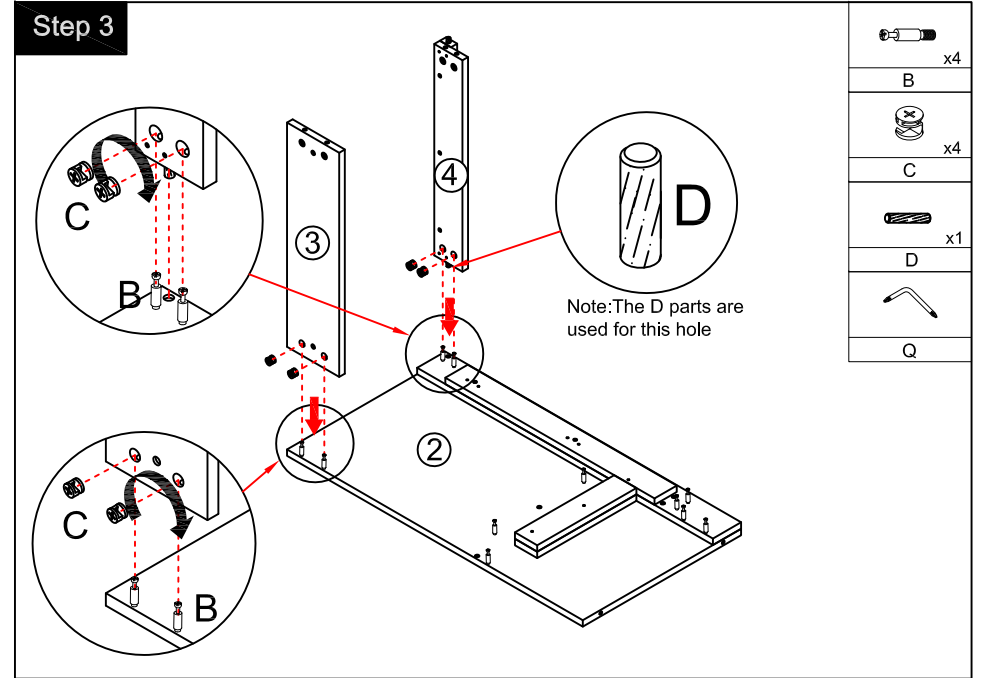
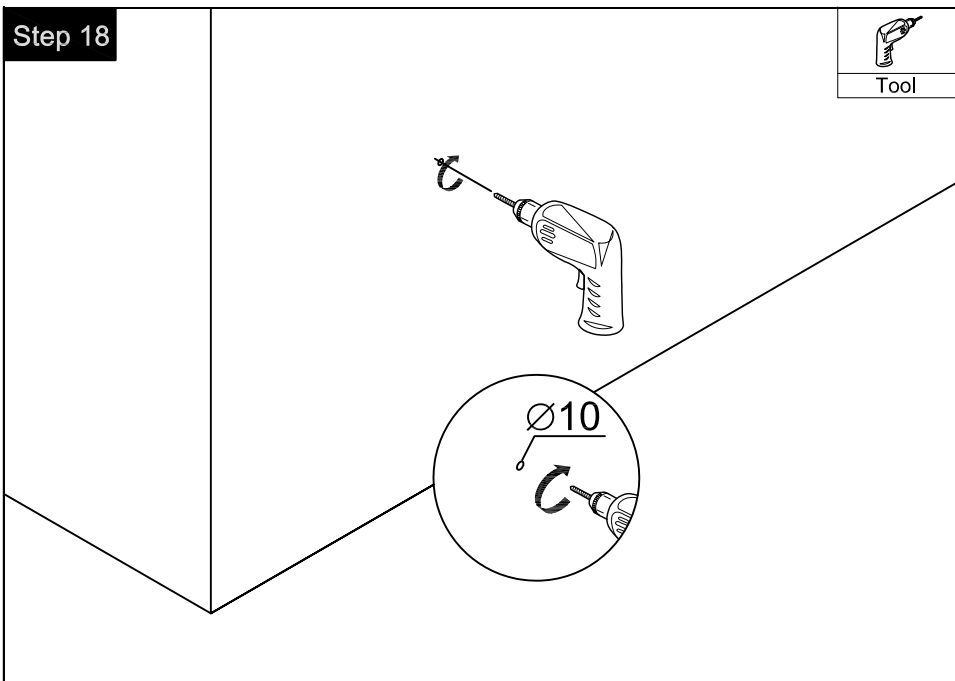
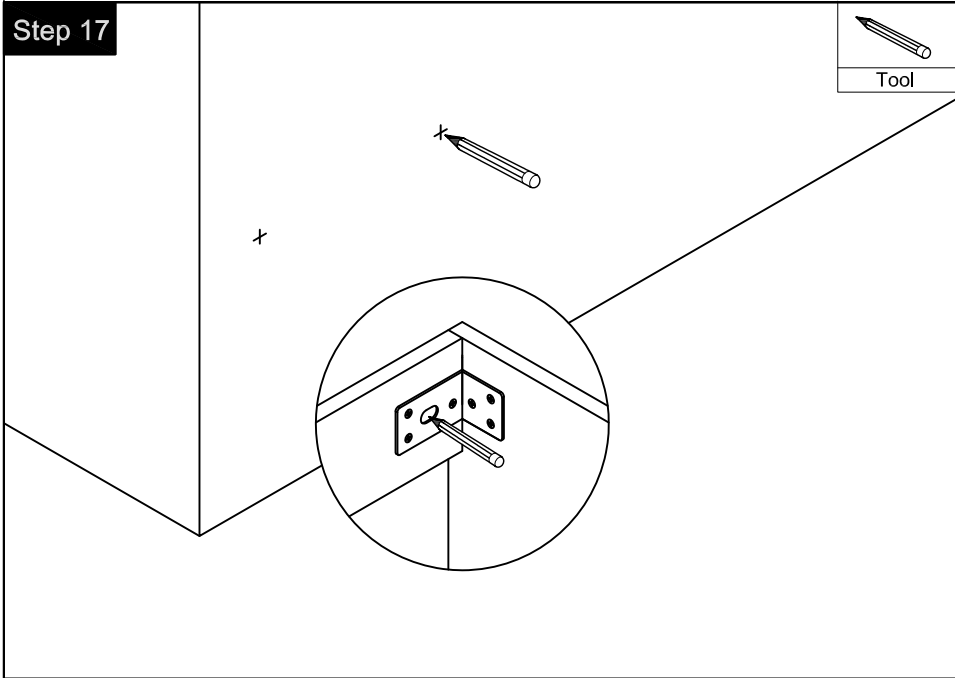
Tool

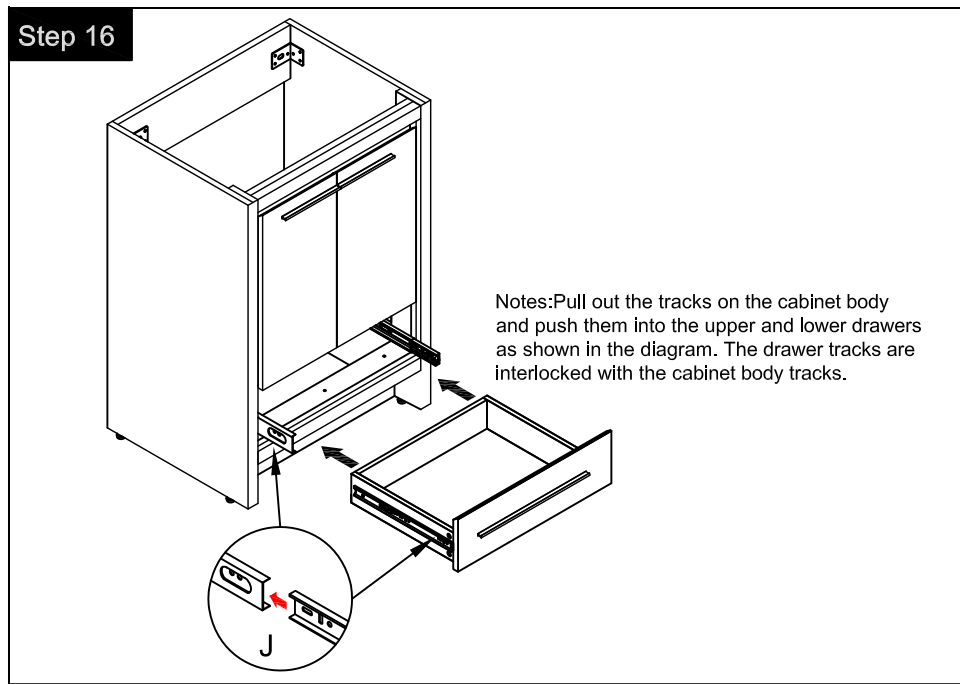
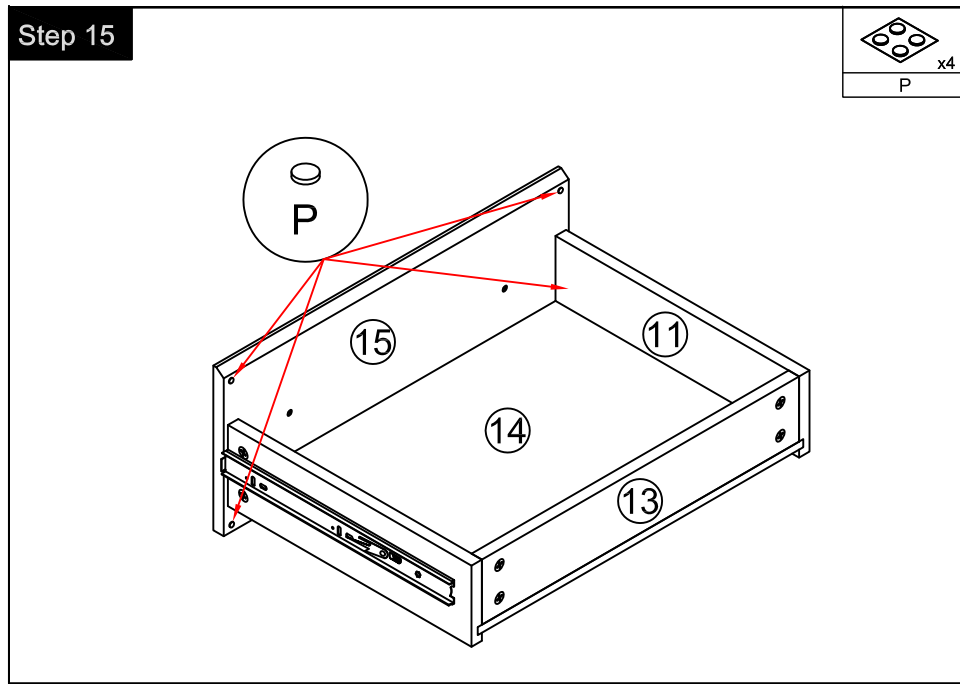
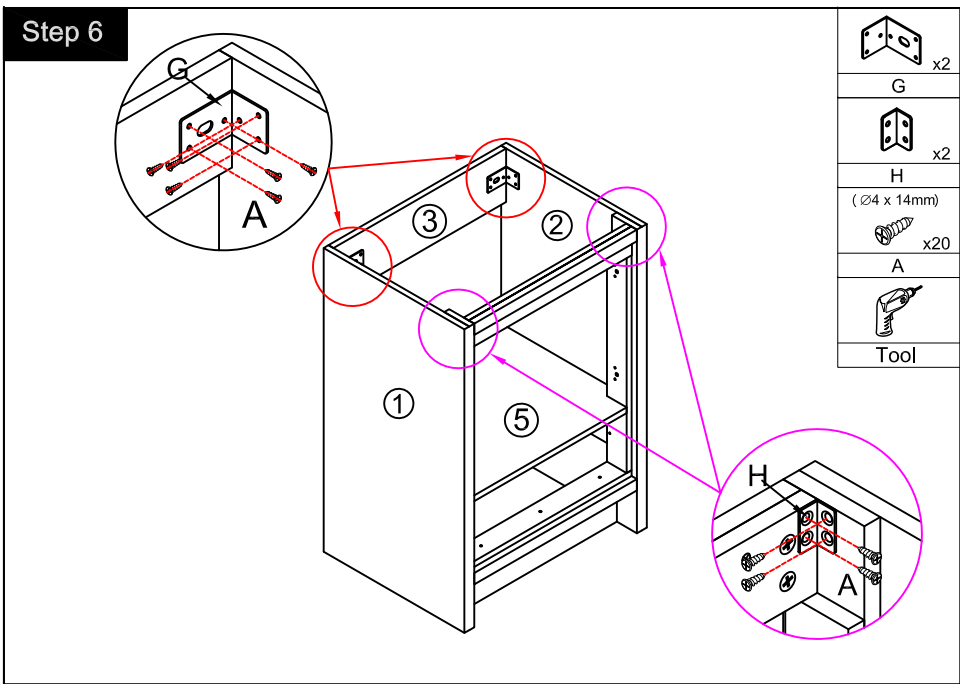
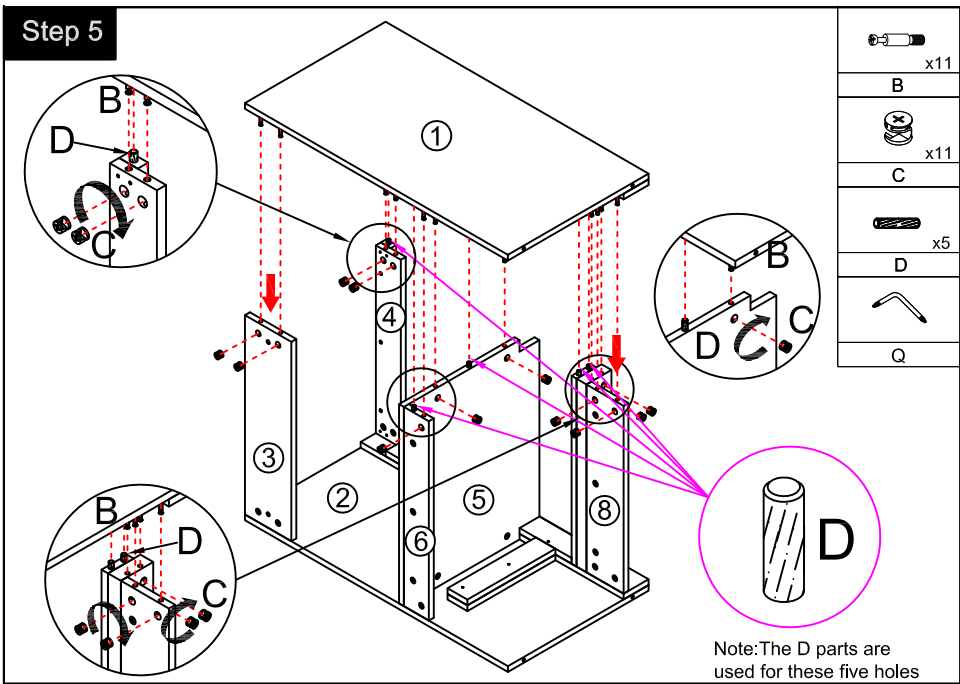
- Screw E x2

Step 20

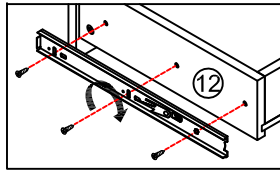
Tool

- Screw F x2

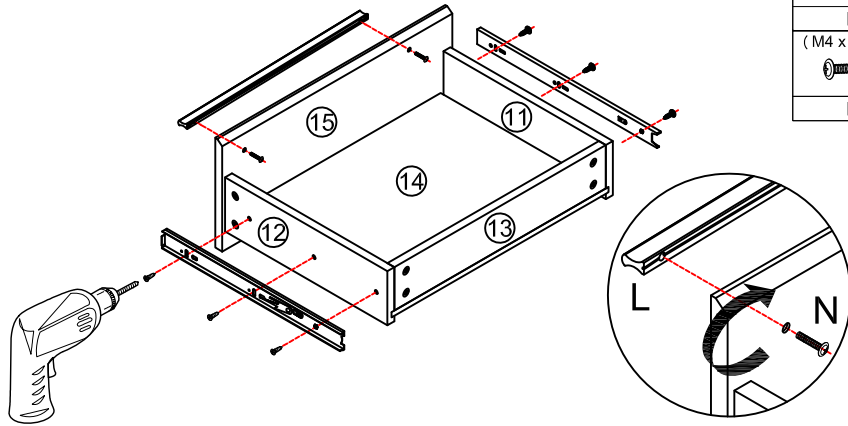





Step 13

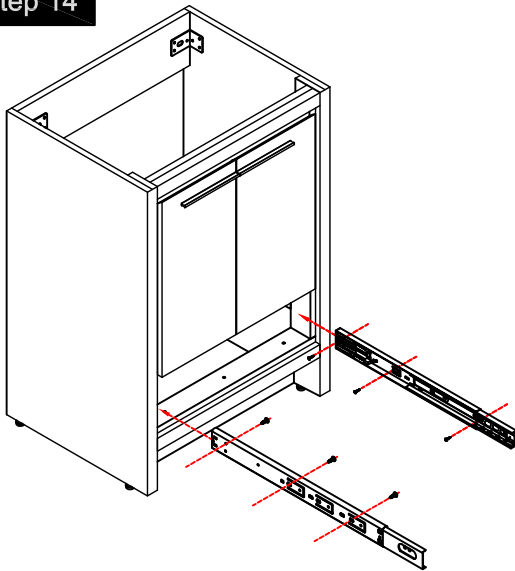


Notes: Install the dismantled side mounted rail as shown in the diagram.

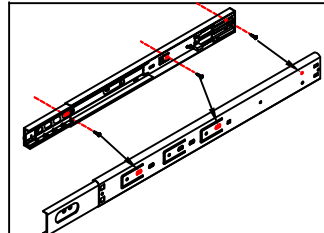




	
Tool	J ($\varnothing 4 \times 14\text{mm}$) x6
	A (L510mm) x1
	L (M4 x 20mm) x2
	N

Step 14




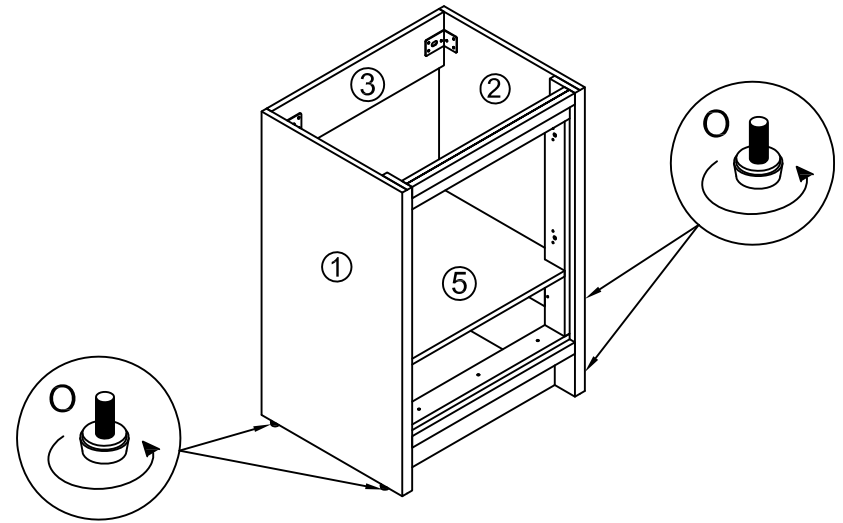
Notes: Tighten the self working screw according to the hole position shown in the diagram.



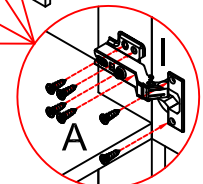
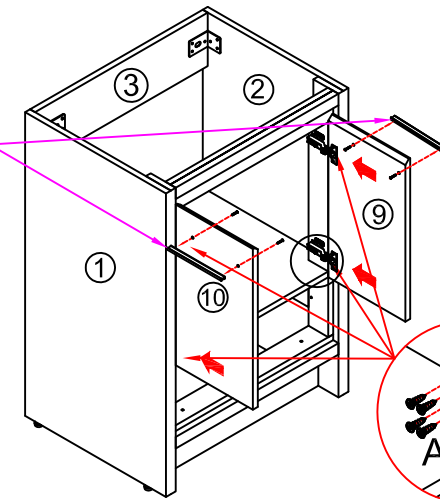
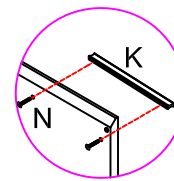
	x1
J ($\varnothing 4 \times 14\text{mm}$)	x6
A	
	
Tool	

Step 7

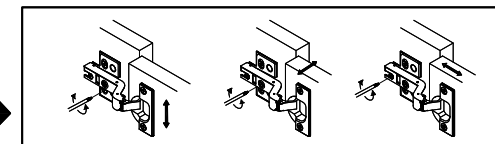
	x4
O	





Step 8

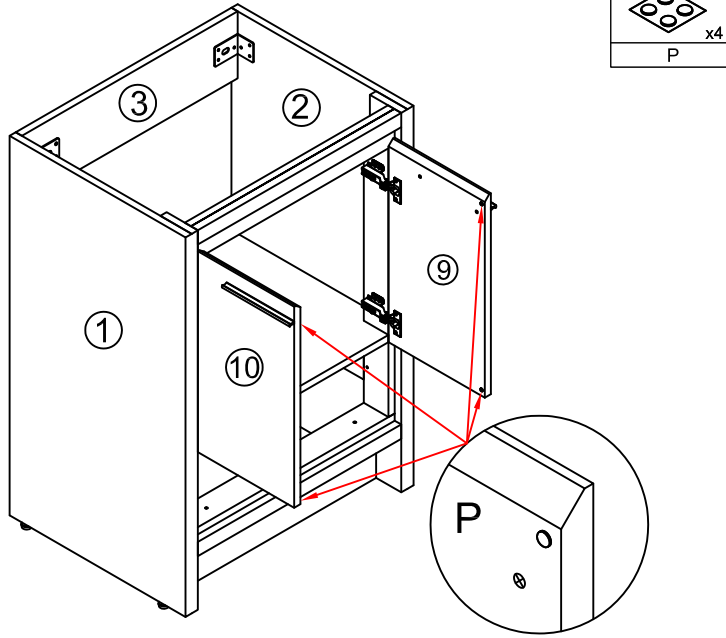


You can adjust the doors by tightening or loosening the screws on the hinge. →

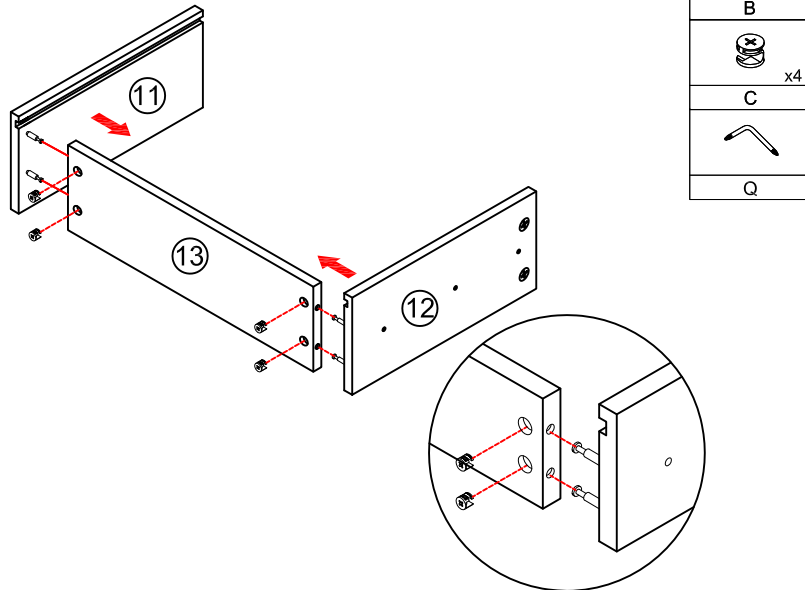


	x4
I ($\varnothing 4 \times 14\text{mm}$)	x24
A (L255mm)	x2
K (M4 x 20mm)	x2
N	
	
Tool	

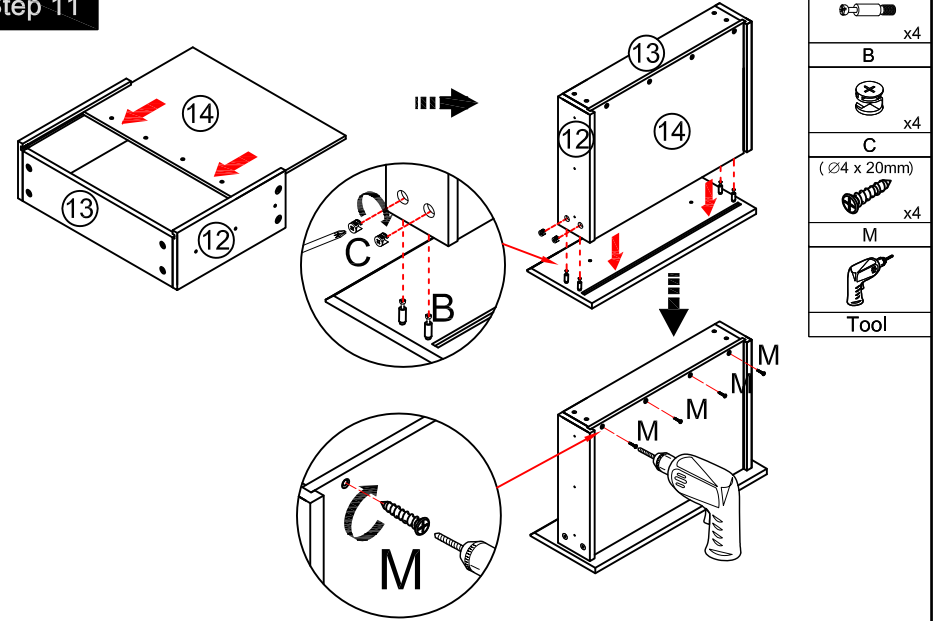
Step 9



Step 10



Step 11



Step 12

Notes: Disassemble the three fold side mounted buffer rail as shown in the following diagram.

