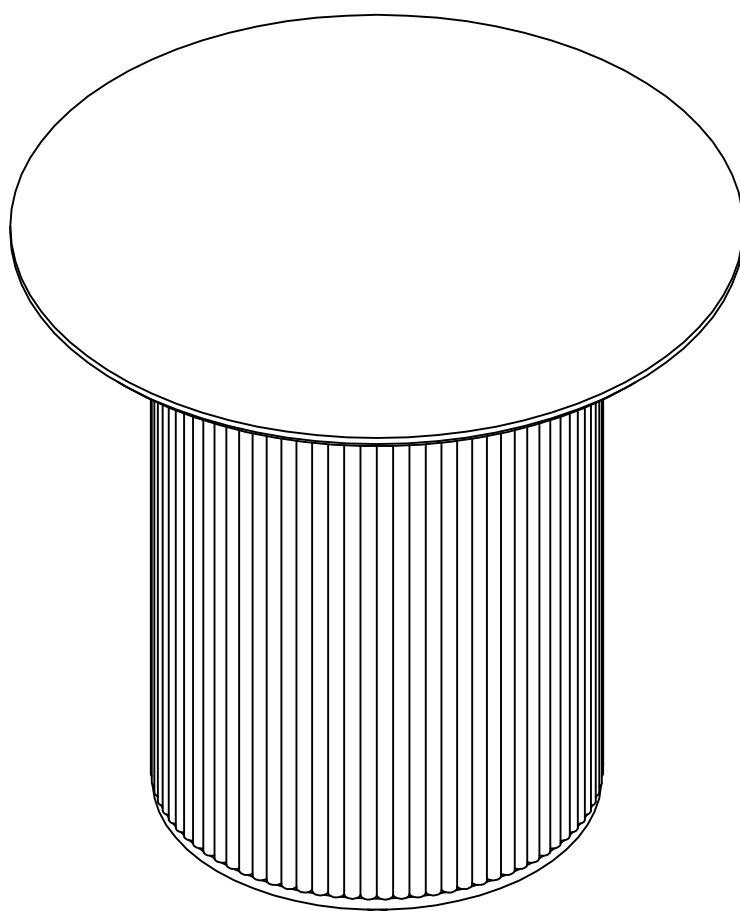


Installation Instruction



Assembling

What you need

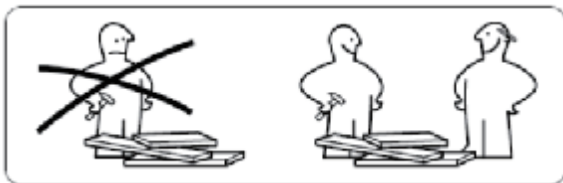
- Use the packaging carton as a working surface to prevent product damage during assembly

What' included

Code	Description	Qty
A	Screw M6X25MM	8
B	Screw M6X12MM	16
C	Adjustable Leveler	4
D	Screw M6X32MM	4
E	Wrench M4X55MM	1

Weight Limitation

 **100** | **35**
lbs table top lbs per



The Hardwares

Ⓐ



Ⓑ



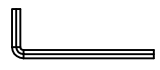
Ⓒ



Ⓓ



Ⓔ



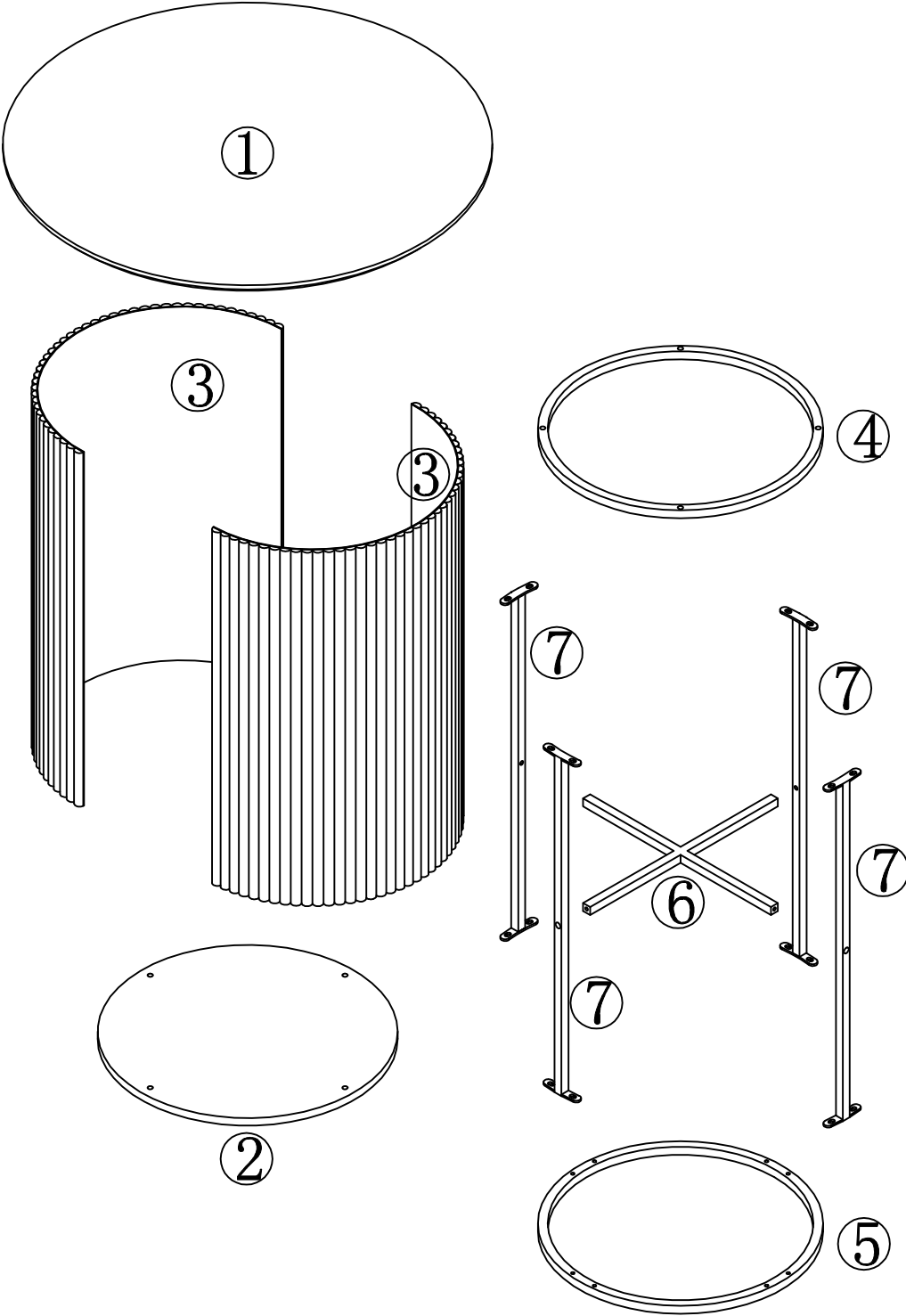
IMPORTANT:

1. Do not tighten bolts / screws completely until all bolts / screws are lined up and inserted into holes.
2. Do not over tighten screws and bolts to avoid stripping
3. Please use hand tools to assemble this product, you can also use power tools (please use power tools carefully)


Included Accessories


Code	Description	Qty
1	Panel	1
2	Bottom plate	1
3	Lateral plate	2
4	Top frame	1
5	Bottom frame	1
6	Cross rod	1
7	Support bar	4

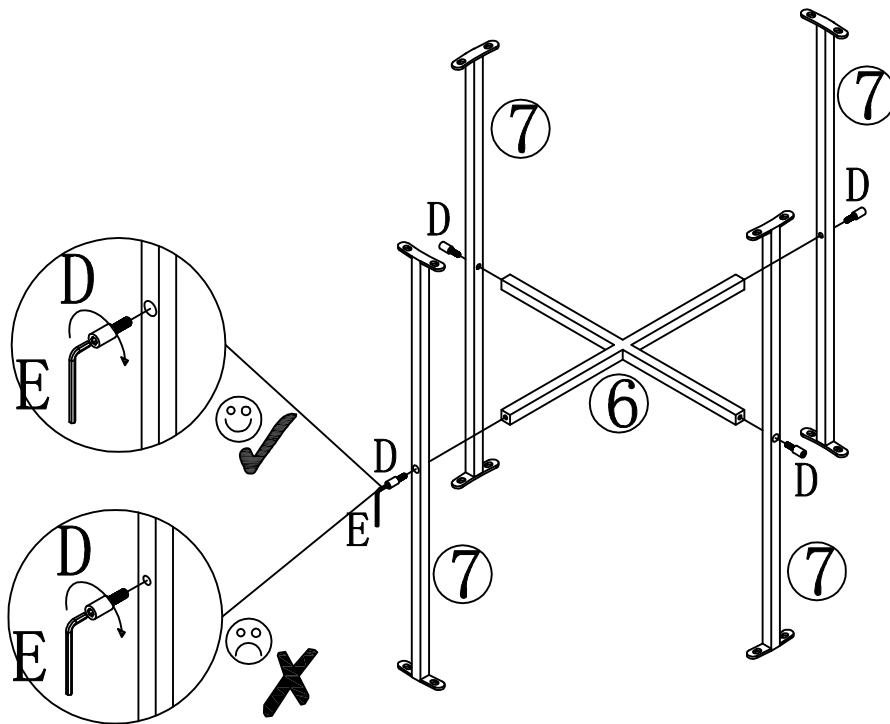
The Accessoriss




Step 1


E	x 1
	

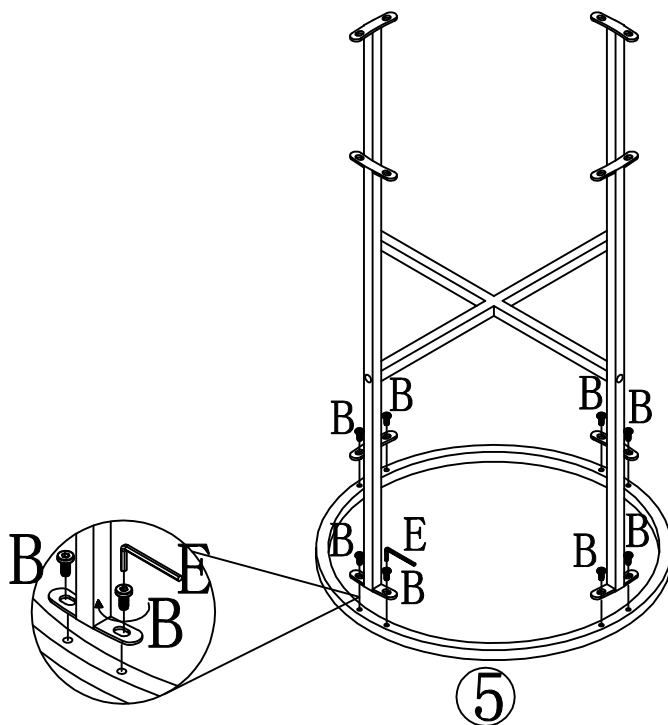
D	x 4
	




Step 2


B	x 8
	

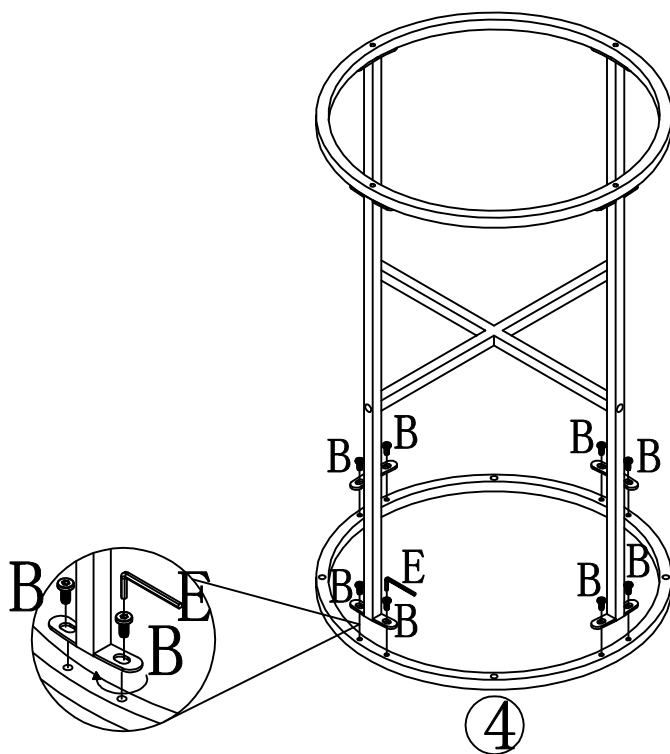
E	x 1
	




Step 3


B	x 8
	

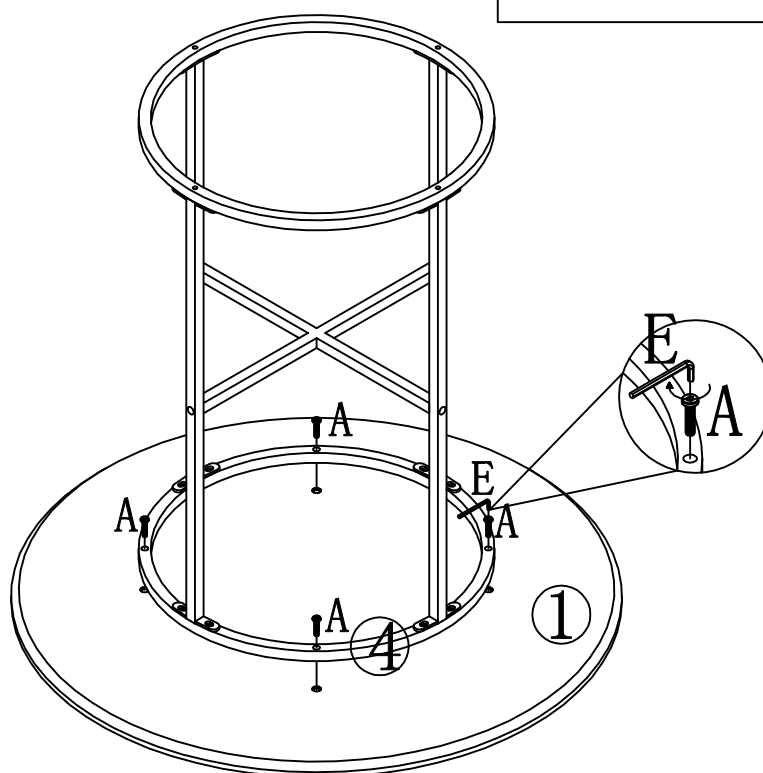
E	x 1
	



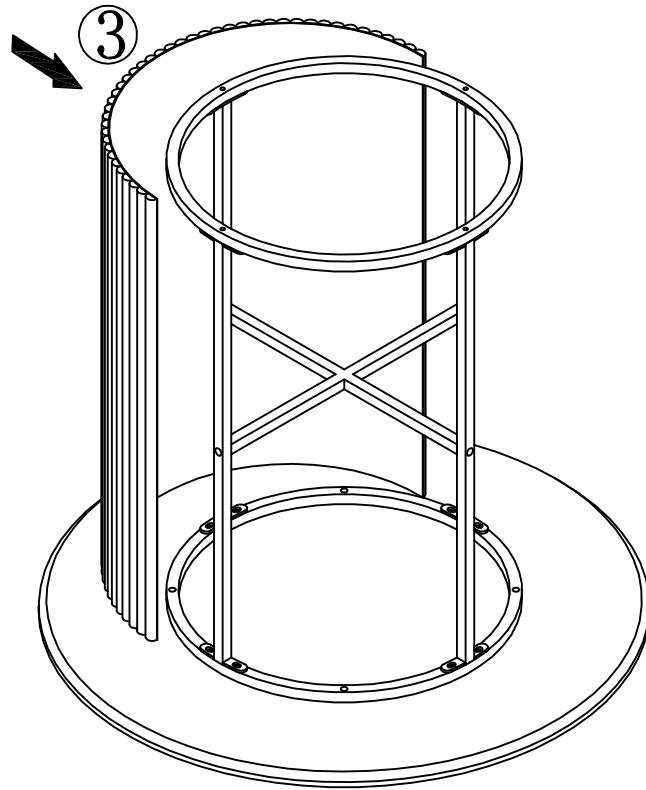
Step 4

A	x 4
	

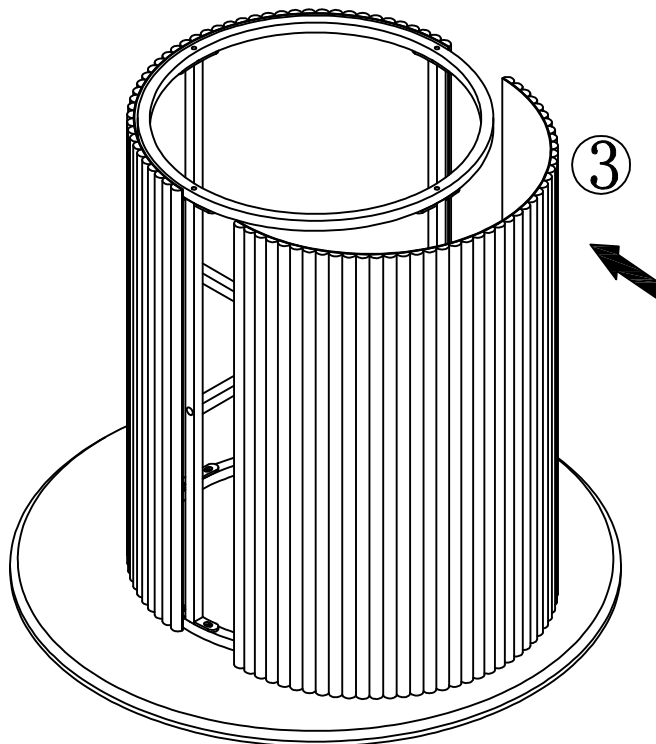
E	x 1
	



Step 5




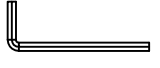
Step 6

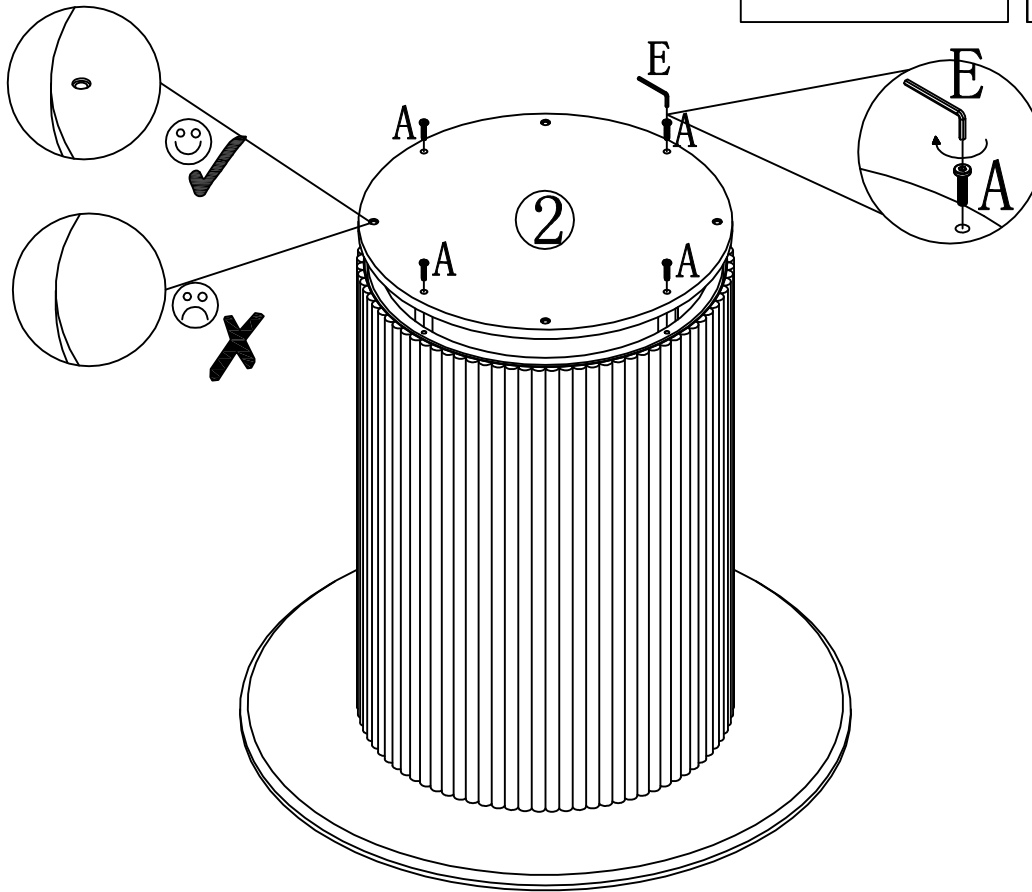


Attach Board 3 neatly to the Velcro of iron 4 and 5
(Attention: Please fully stretch part 4 and then stick it tightly along the Velcro to avoid gaps that affect the appearance. If there are obvious gaps, tear them off and stick them again.)


Step 7

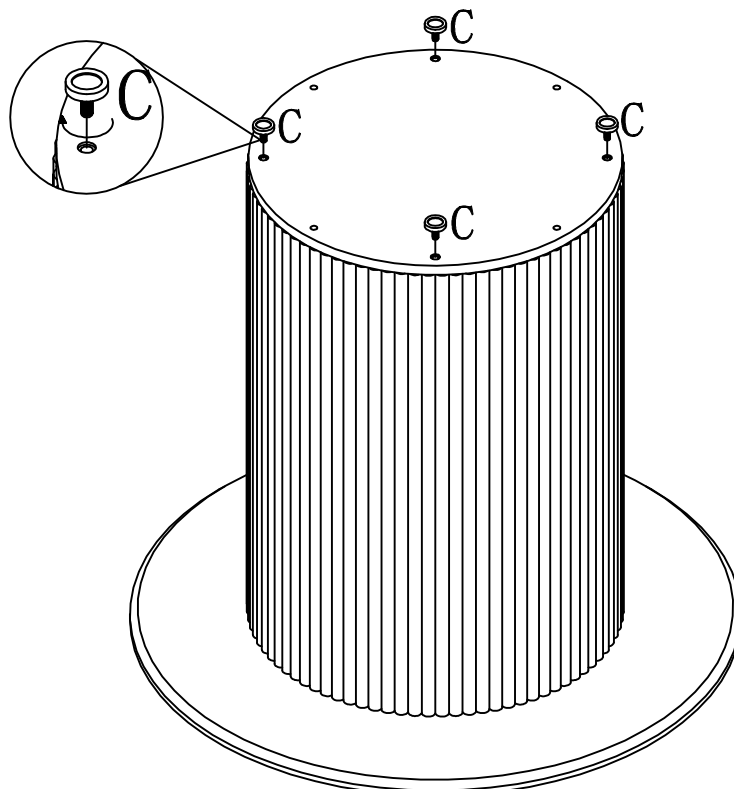
A	x 4
	

E	x 1
	



Step 8

C	x 4
	



Step 9

