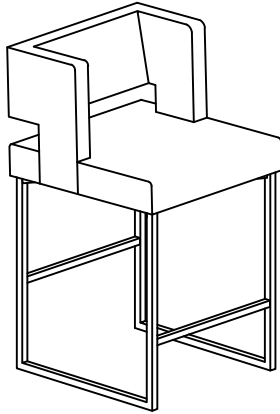


# ASSEMBLY INSTRUCTIONS

## GOLD STOOL MATTE BLACK STOOL



### + Do Not Use PowerTools



### + Suggested Adults



#### NOTE:

- 1 Read instructions cover to cover.
- 2 Save all packaging until assembly is completed.

#### 1 IMPORTANT SAFETY INFORMATION

**Do not** assemble the product if any of the following parts arrived damaged:

**Part ①** Backrest                      **Part ④** Rail

**Part ②** Right Leg

**Part ③** Left Leg

**Do not** assemble if any of the following Hardware parts are missing:

**Part A** Bolt(1/4"\*1-5/8")      **Part E** Flat Washer 1/4"

**Part B** Bolt(1/4"\*1-1/4")      **Part F** Allen Key(4mm)

**Part C** Bolt(1/4"\*5/8")

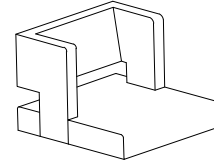
**Part D** Spring Washer 1/4"

#### 2 IMPORTANT ASSEMBLY INFORMATION

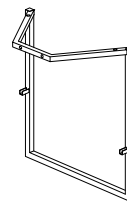
**Assembly Step** If loosening persists, Please make sure to tighten all the bolts periodically, or use a thread locker adhesive.

### + Parts Included

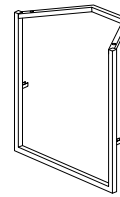
- ① Backrest  
1PC



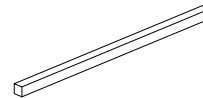
- ② Right Leg  
1PC



- ③ Left Leg  
1PC



- ④ Rail  
2PCS



### + Hardware Included

- A Bolt(1/4"\*1-5/8")      B Bolt(1/4"\*1-1/4")  
4 PCS                      2 PCS



- C Bolt(1/4"\*5/8")      D Spring Washer 1/4"  
4 PCS                      6 PCS



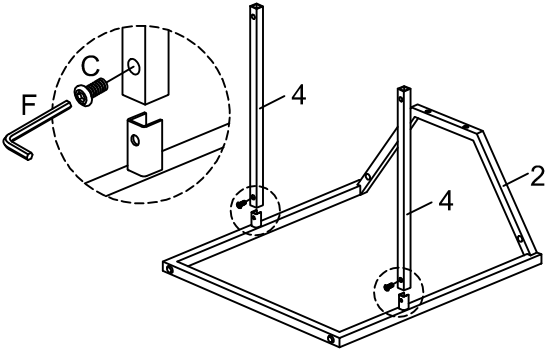
- E Flat Washer 1/4"      F Allen Key(4mm)  
6 PCS                      1 PC



# ASSEMBLY INSTRUCTIONS

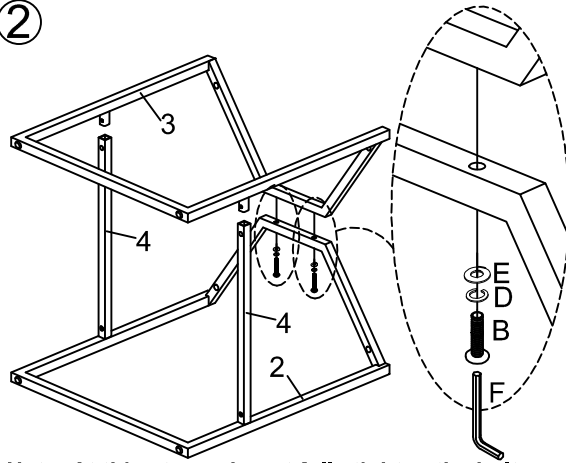
## GOLD STOOL MATTE BLACK STOOL

①



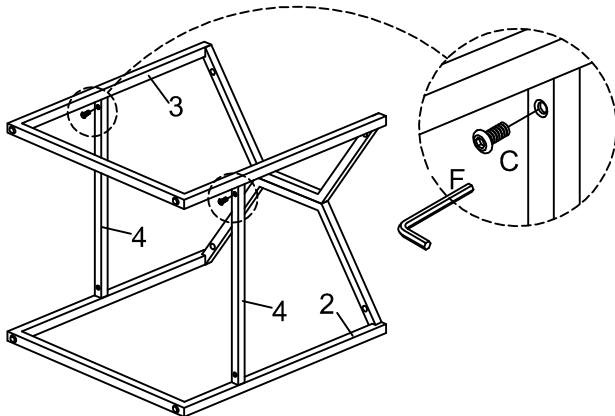
Note: At this stage, do not fully tighten the bolts.

②



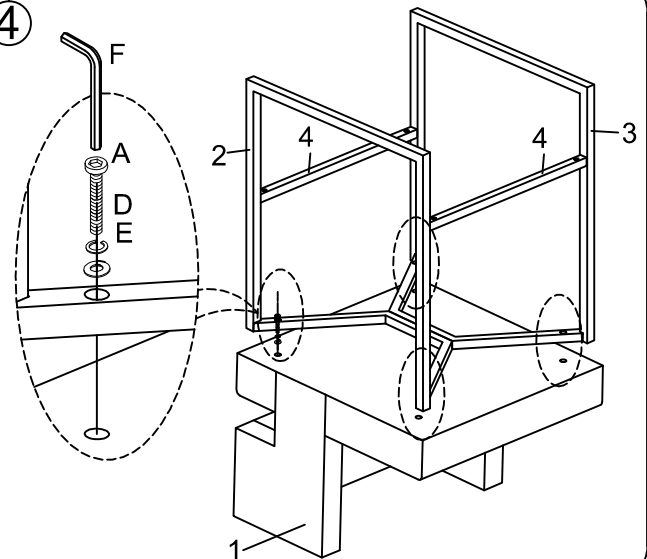
Note: At this stage, do not fully tighten the bolts.

③

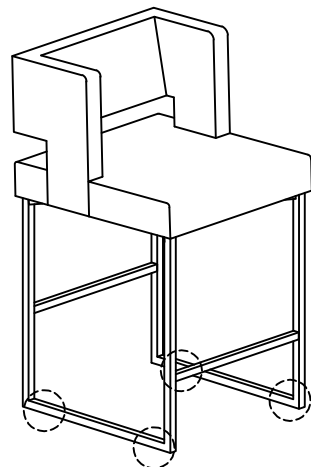


Note: At this stage, do not fully tighten the bolts.

④



⑤



Adjust Pre-installed Levelers  
height to achieve balance