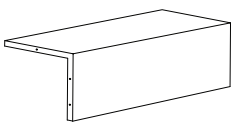
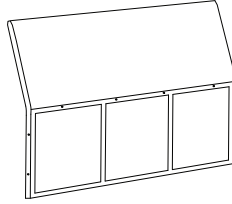
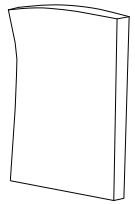
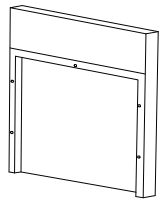
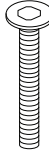
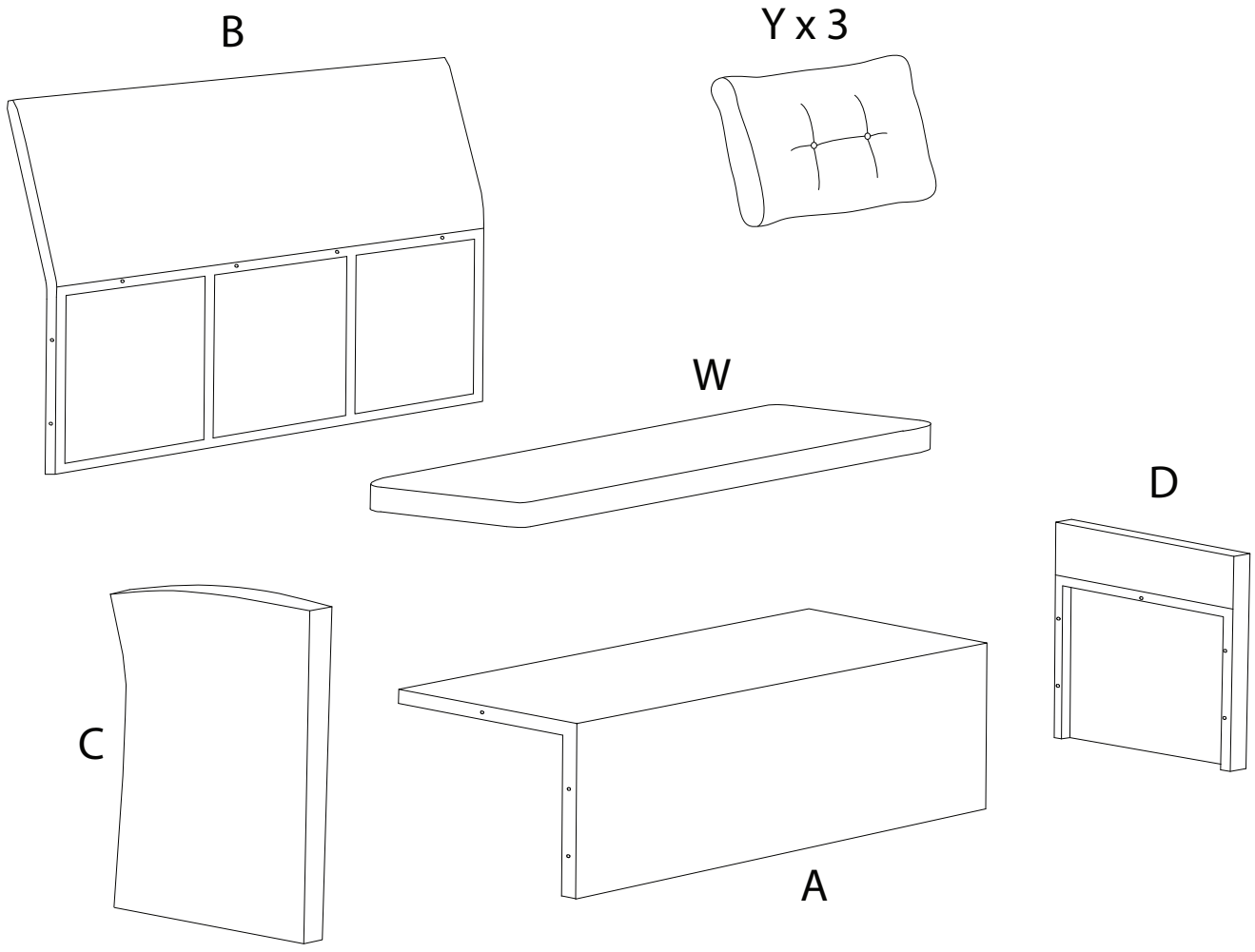


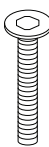
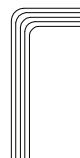
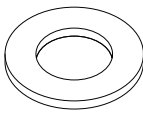
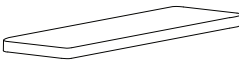
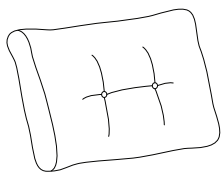
Diagram illustrating safety and assembly instructions:

- Top Section:** Shows a corner bracket being installed. A warning triangle with an exclamation mark is present. A power drill is shown with a diagonal line through it, indicating it should not be used. A clock icon is shown with the number 60' below it, indicating a 60-minute time limit.
- Bottom Section:** Shows a rectangular block being placed on a textured surface. A warning triangle with an exclamation mark is present. A person icon is shown with the number 2 below it, indicating that two people are required for assembly.

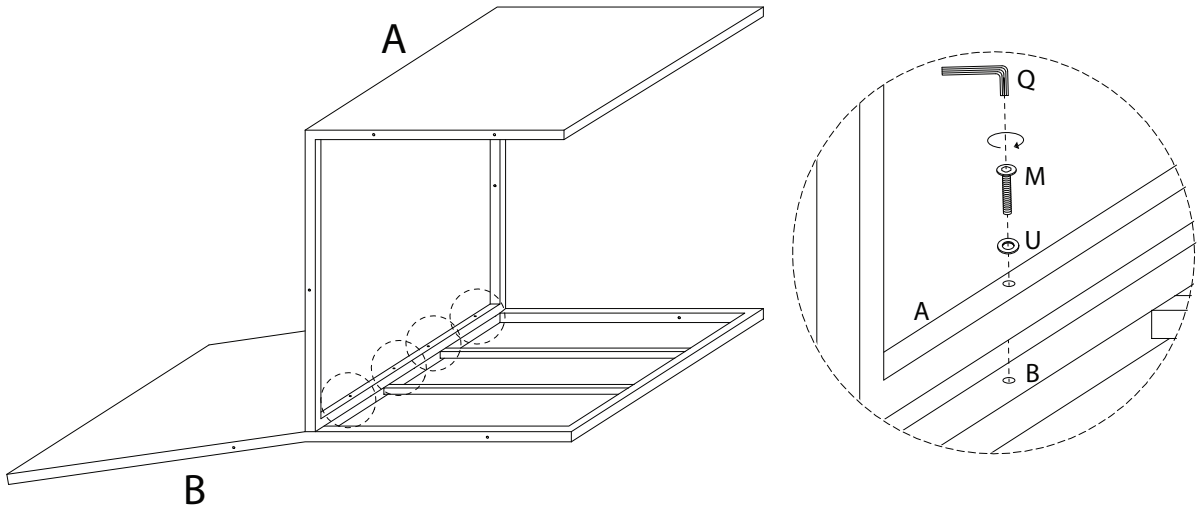
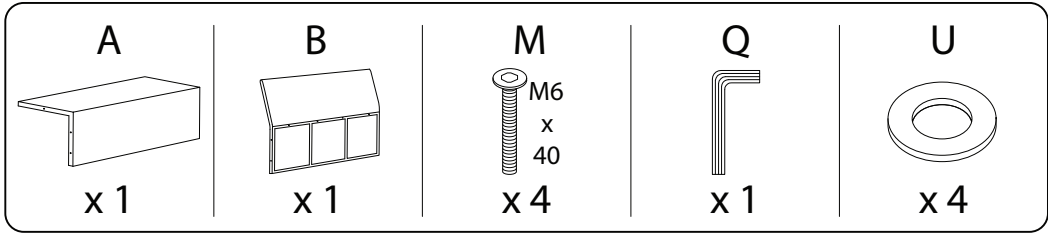
A

<p style="text-align: center;">A</p>  <p style="text-align: center;">x 1</p>	<p style="text-align: center;">B</p>  <p style="text-align: center;">x 1</p>	<p style="text-align: center;">C</p>  <p style="text-align: center;">x 1</p>	<p style="text-align: center;">D</p>  <p style="text-align: center;">x 1</p>	<p style="text-align: center;">M</p>  <p style="text-align: center;">M6 x 40</p> <p style="text-align: center;">x 6</p>
---	---	---	--	--

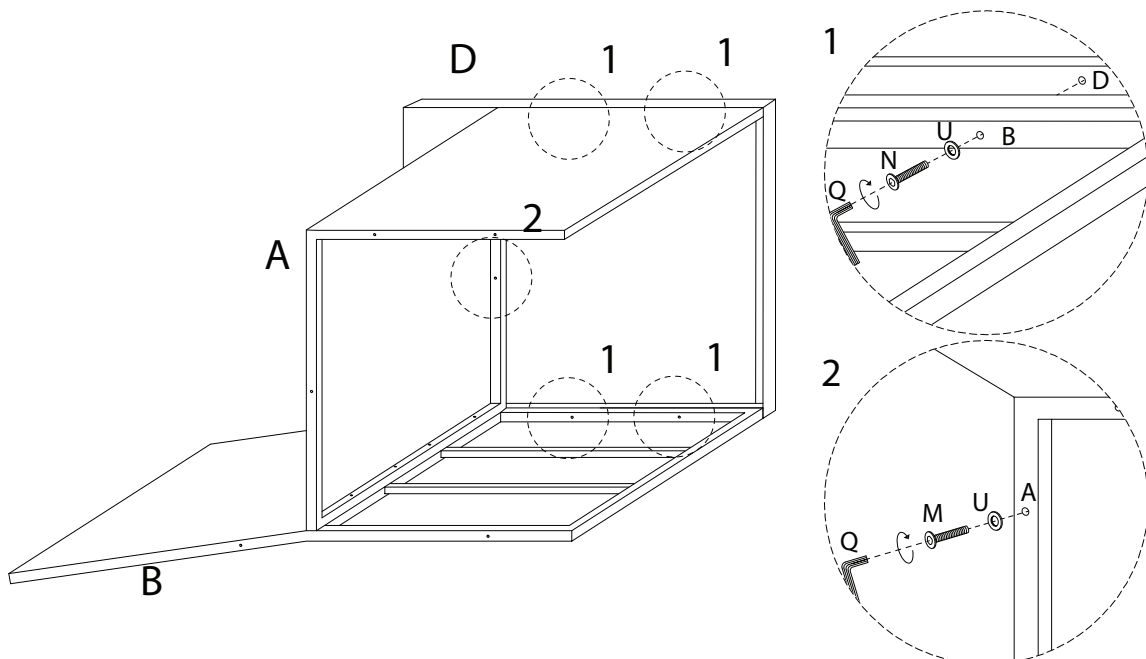
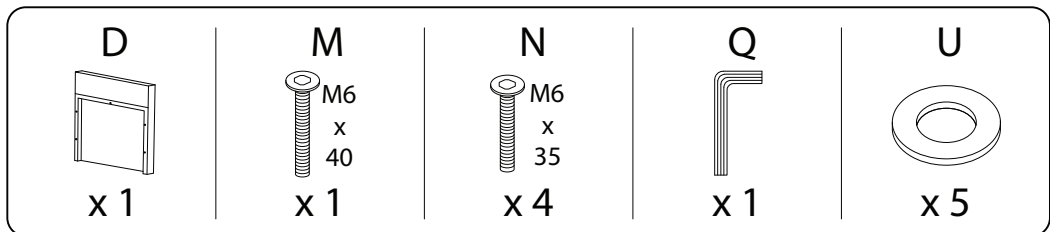


<p style="text-align: center;">N</p>  <p style="text-align: center;">M6 x 35</p> <p style="text-align: center;">x 8</p>	<p style="text-align: center;">Q</p>  <p style="text-align: center;">x 1</p>	<p style="text-align: center;">U</p>  <p style="text-align: center;">x 14</p>	<p style="text-align: center;">W</p>  <p style="text-align: center;">x 1</p>	<p style="text-align: center;">Y</p>  <p style="text-align: center;">x 3</p>
--	---	--	--	---

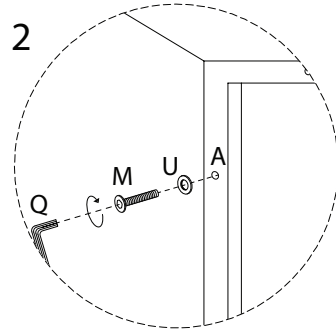
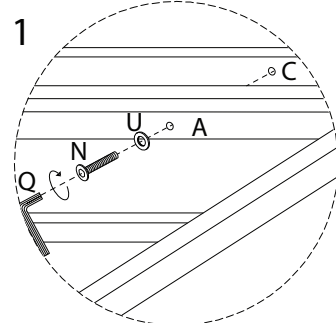
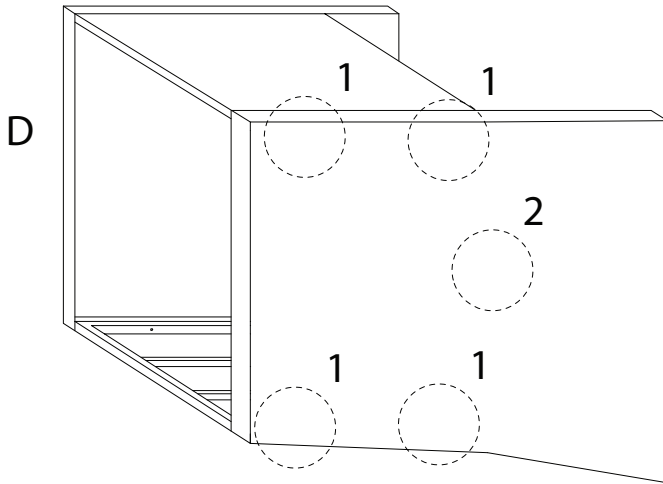
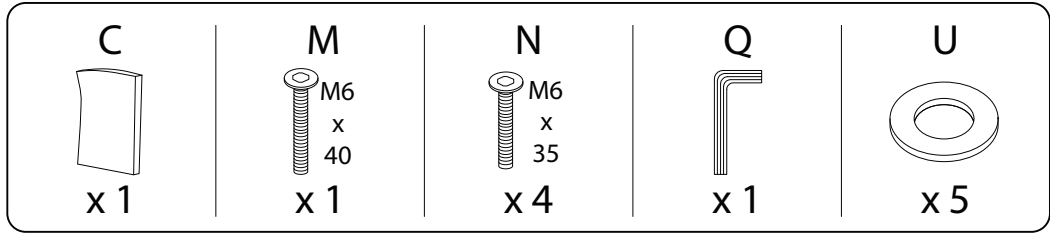
1



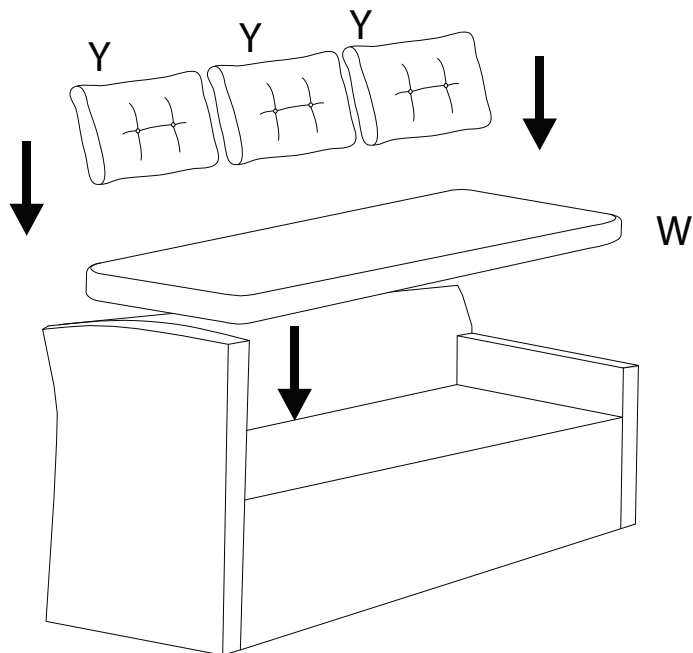
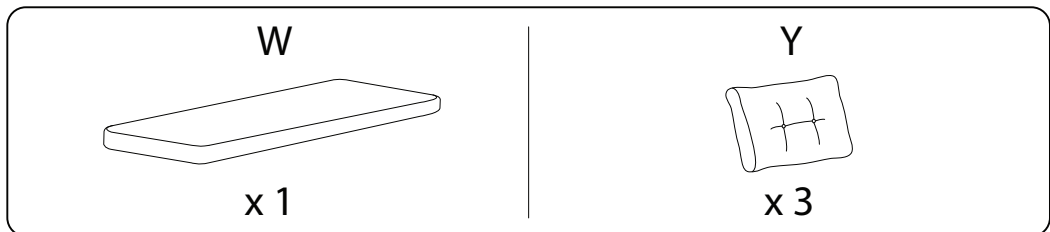
2



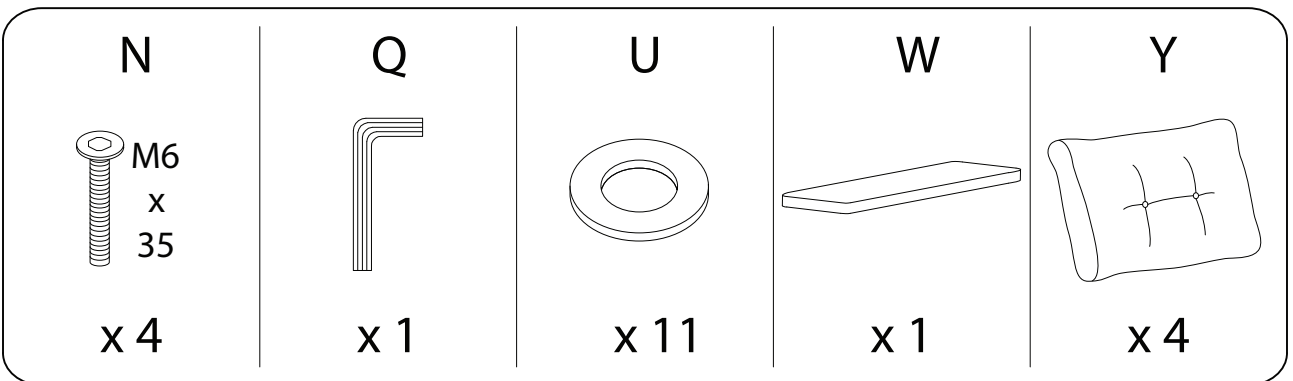
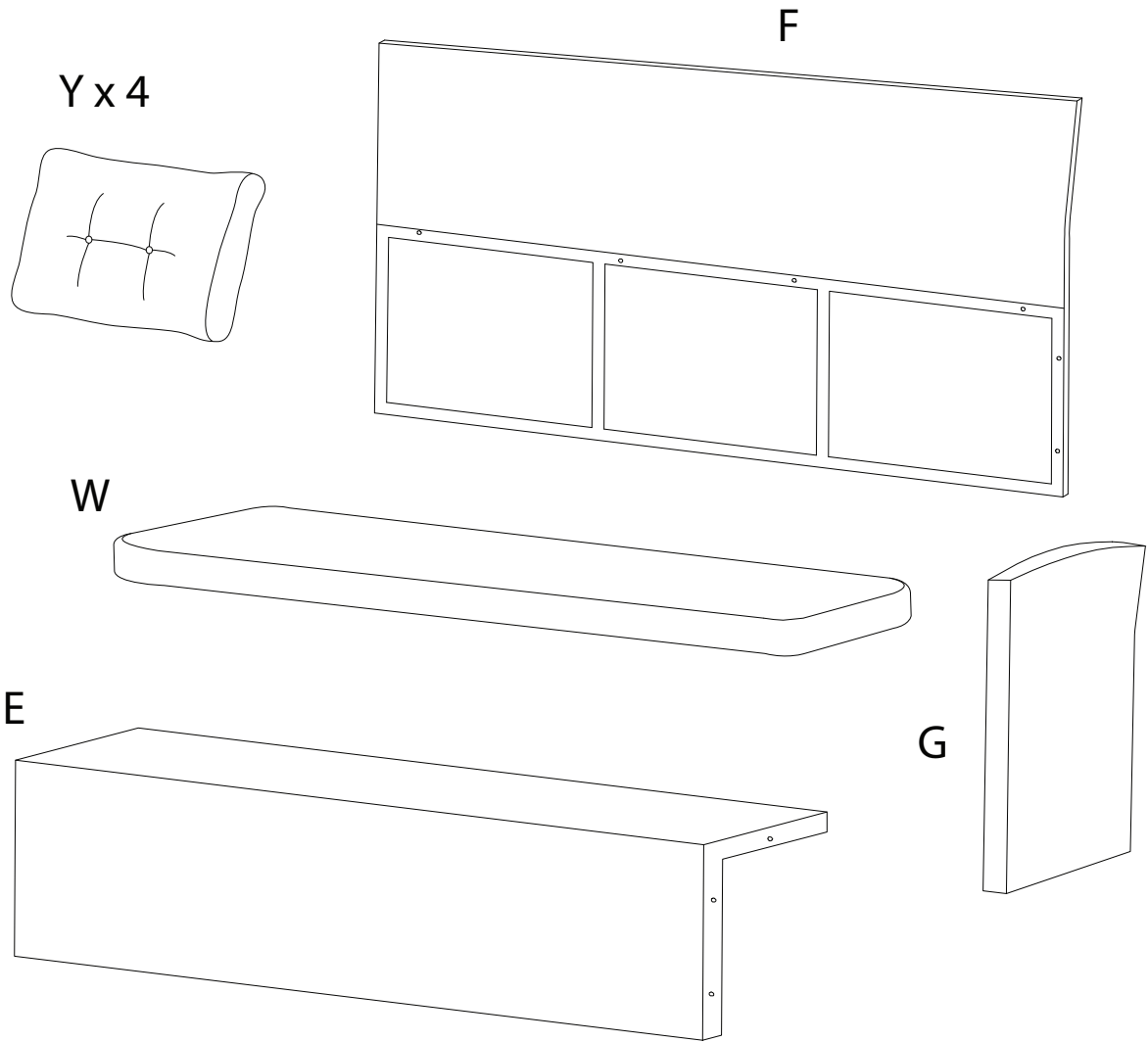
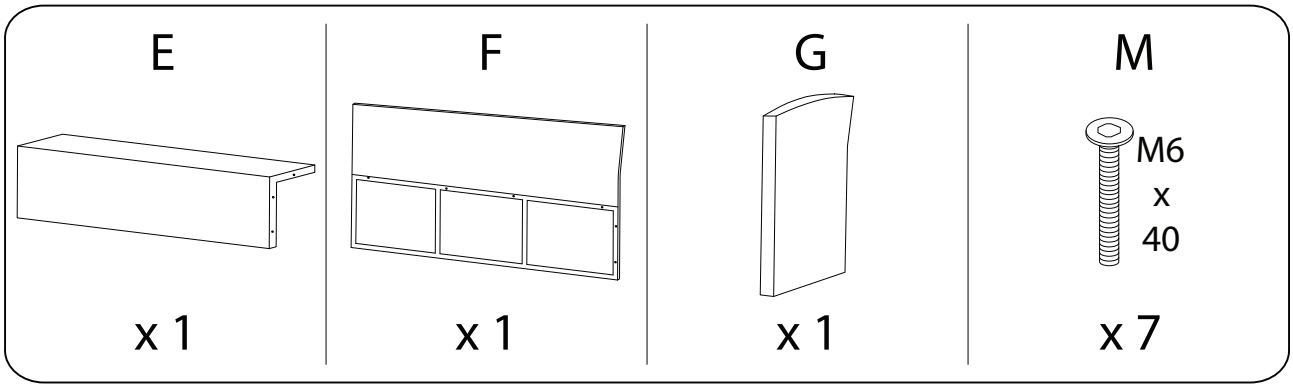
3



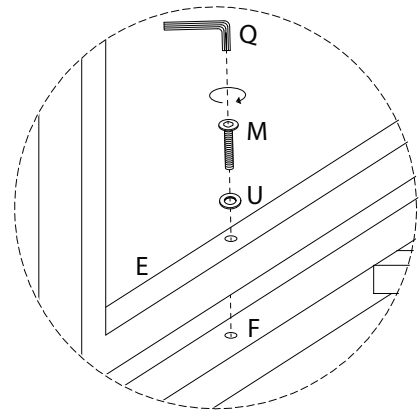
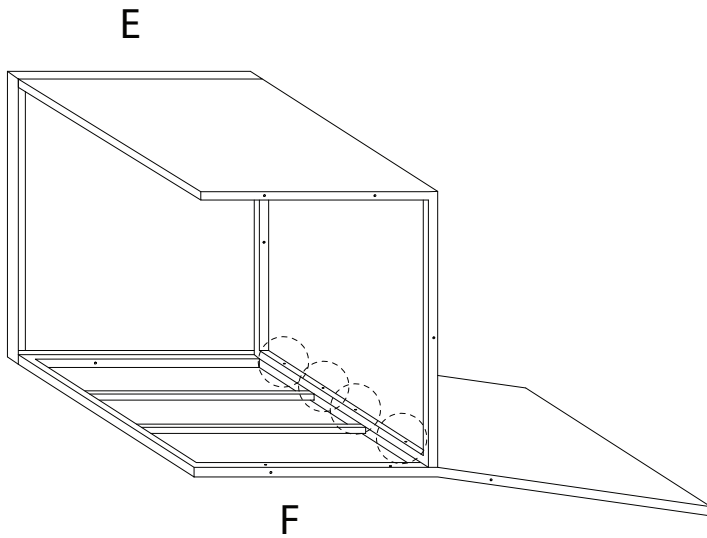
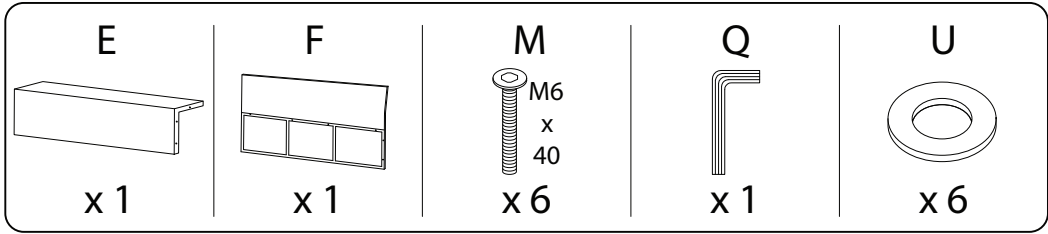
4



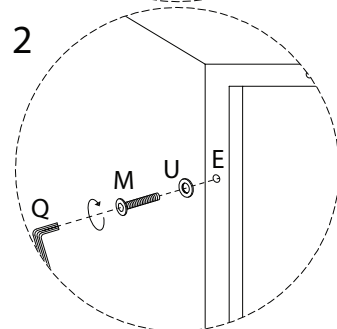
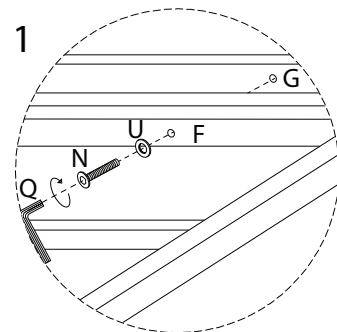
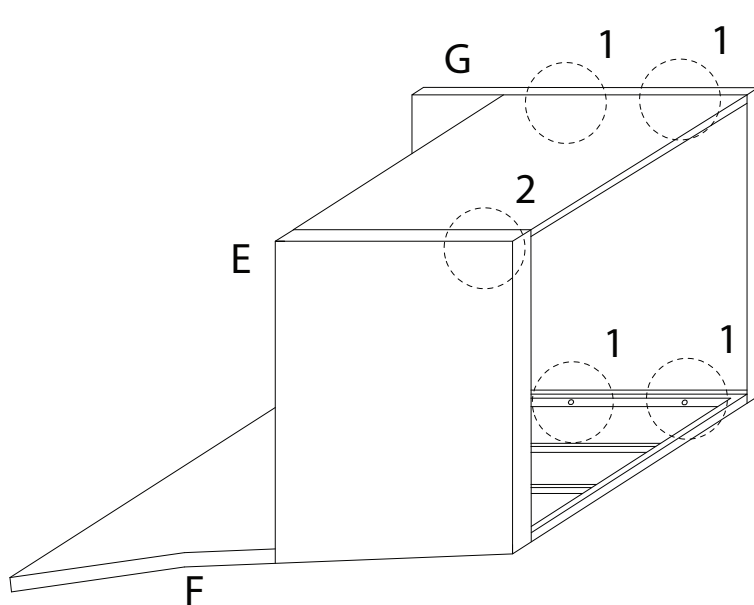
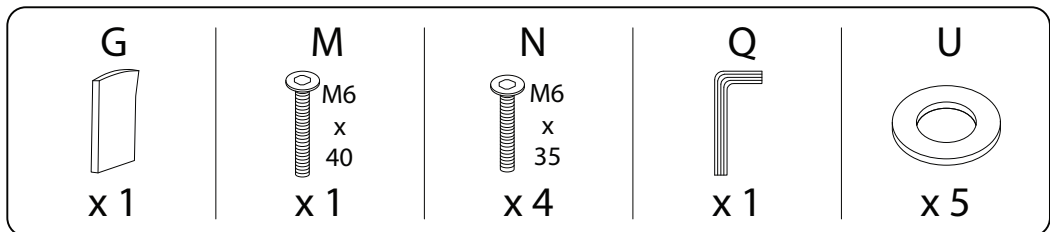
B



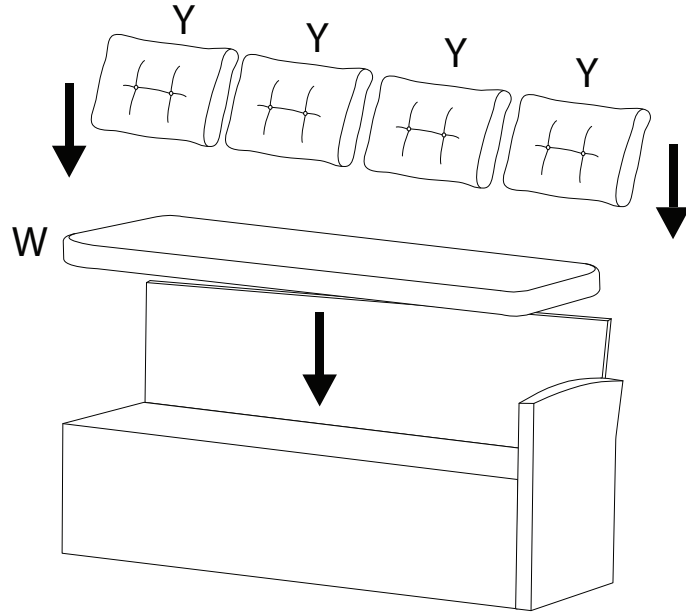
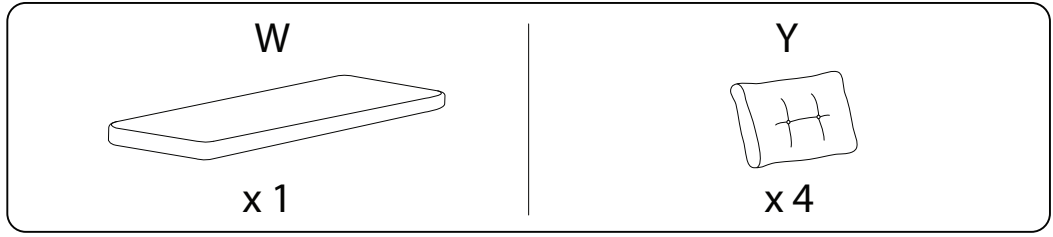
1



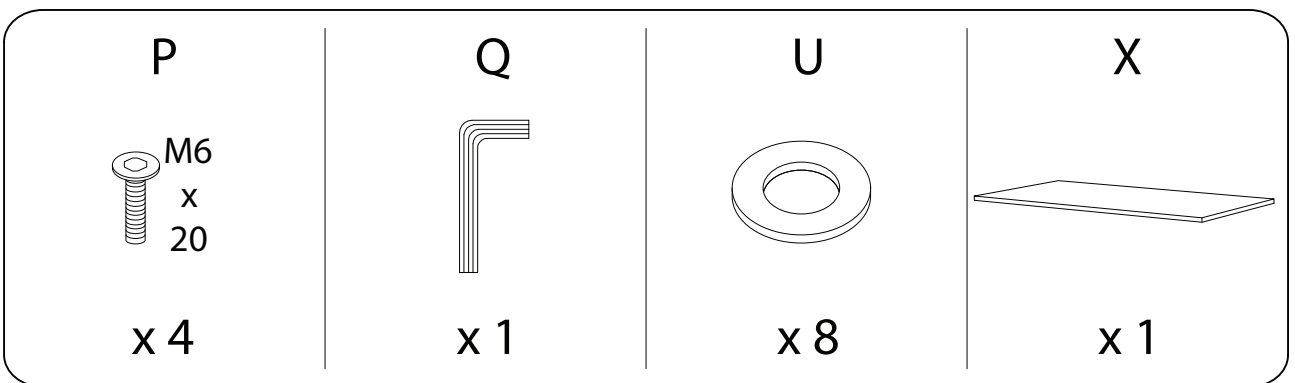
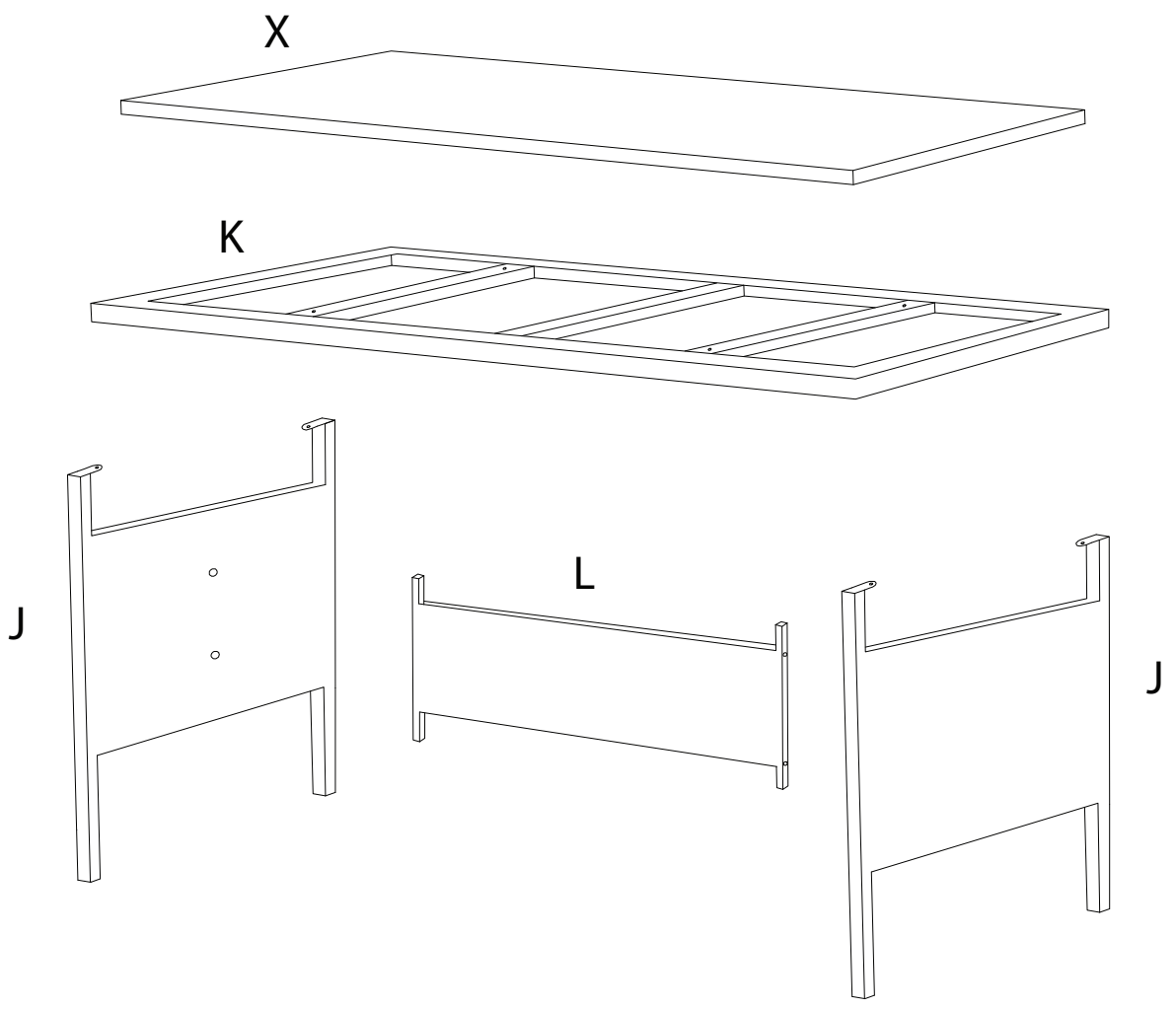
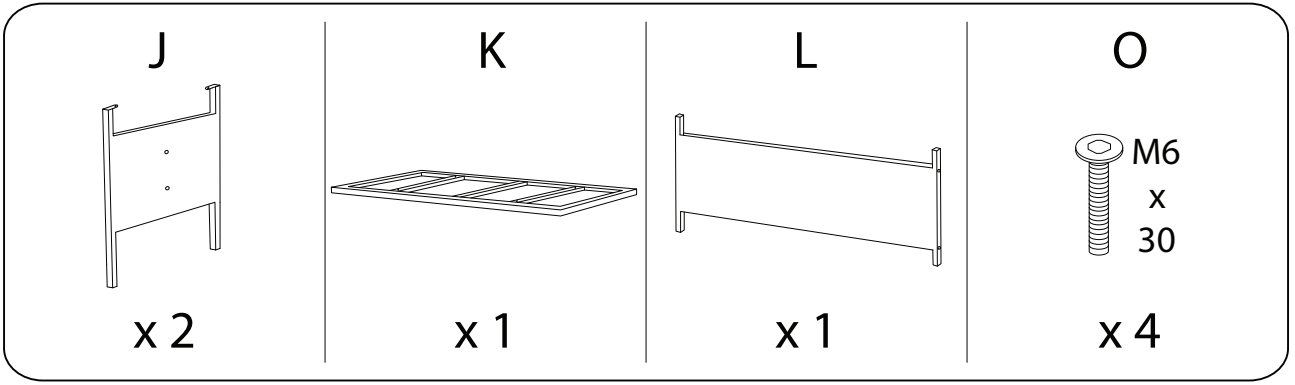
2



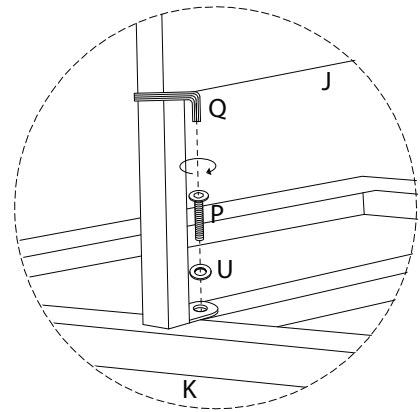
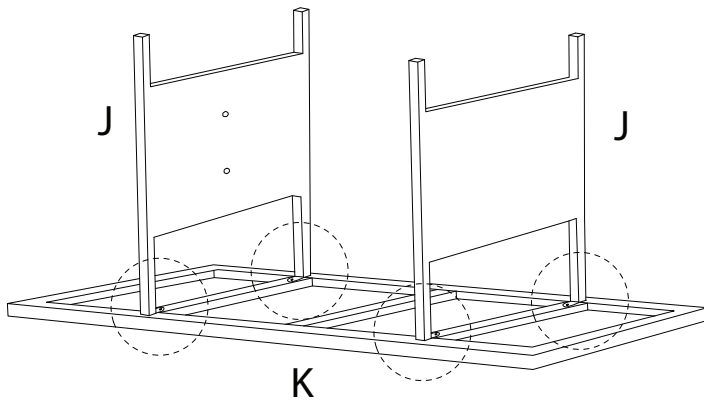
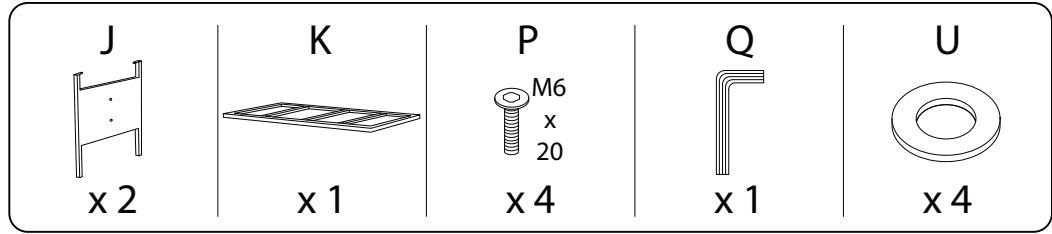
3



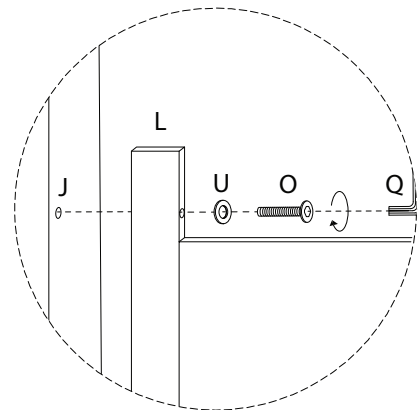
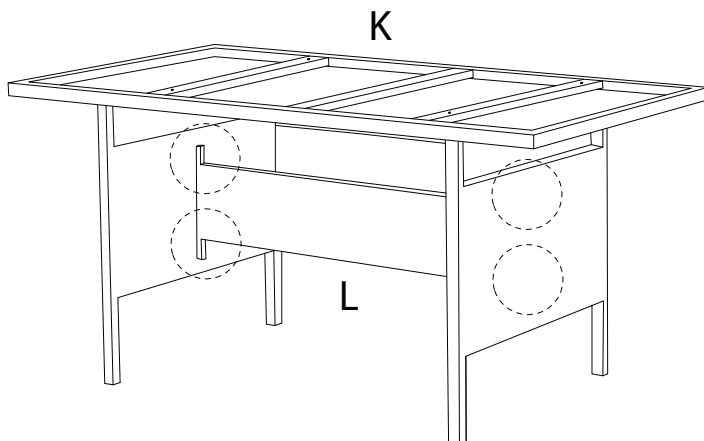
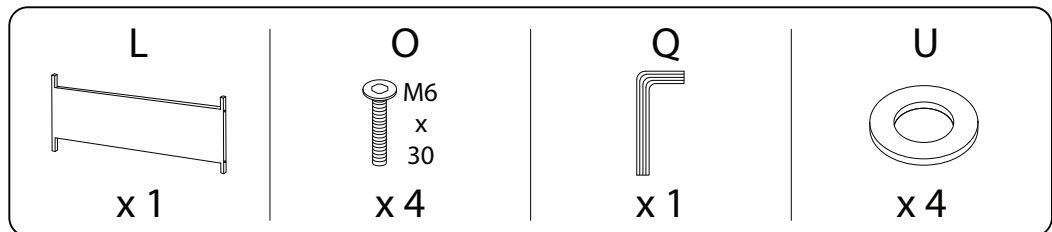
C



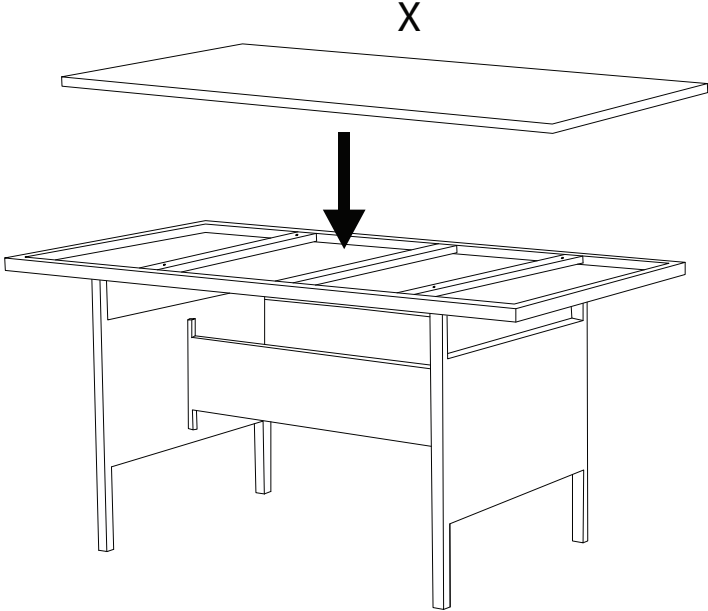
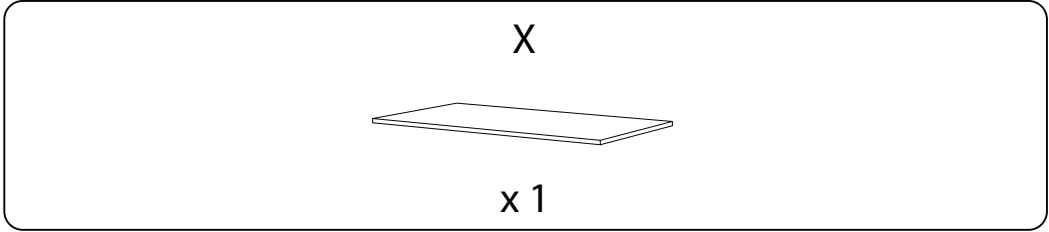
1



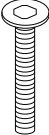
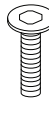

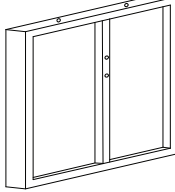
2



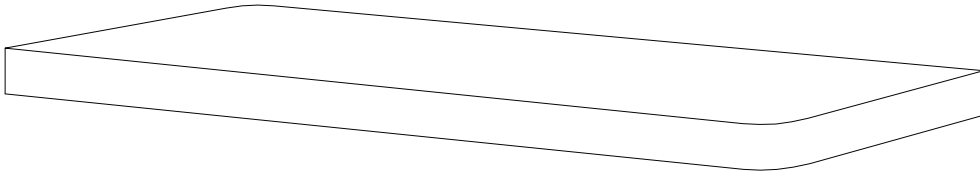
3



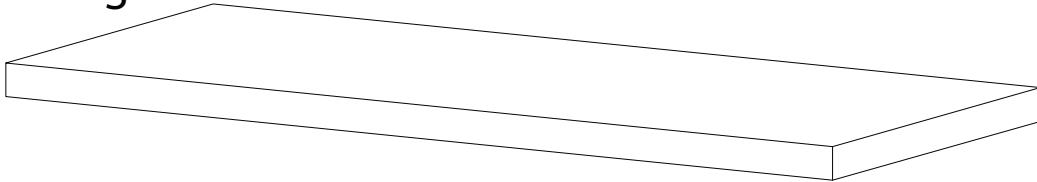
D

<p>N</p>  <p>M6 x 35</p> <p>x 4</p>	<p>P</p>  <p>M6 x 20</p> <p>x 4</p>	<p>Q</p>  <p>x 1</p>	<p>R</p>  <p>x 2</p>
--	--	---	---

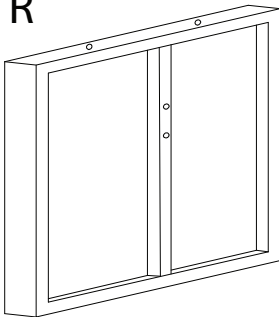
W



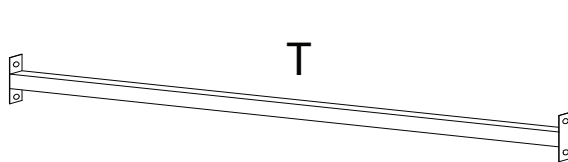
S



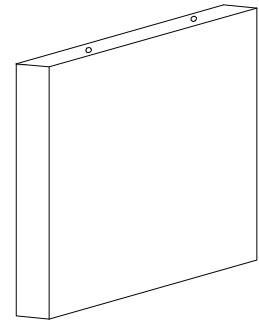
R



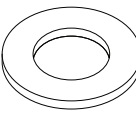



T

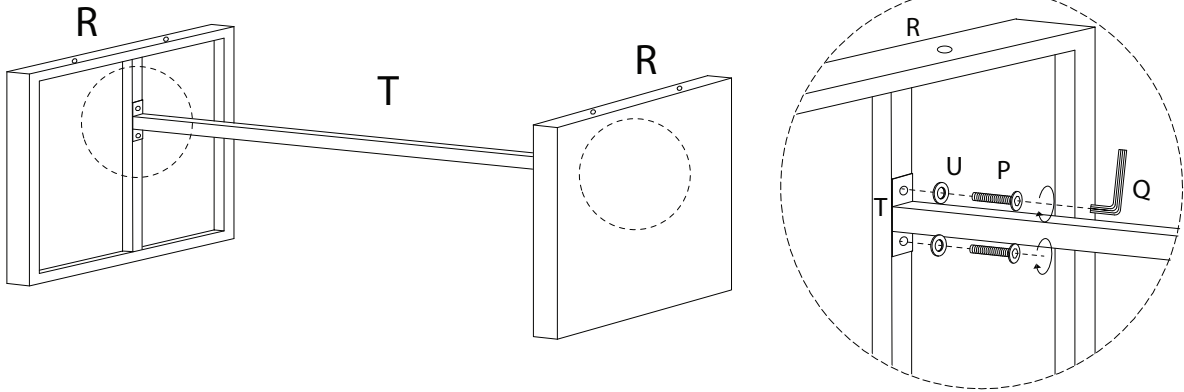
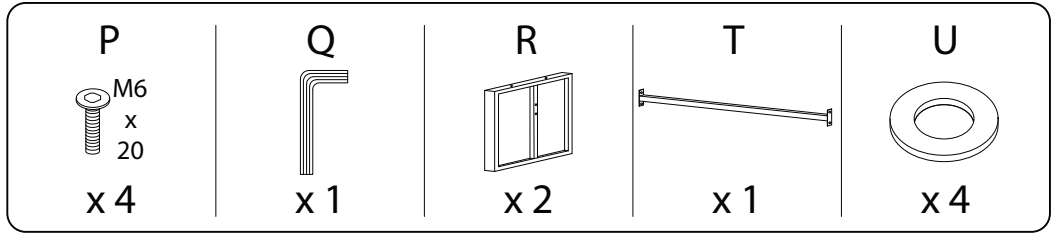


R

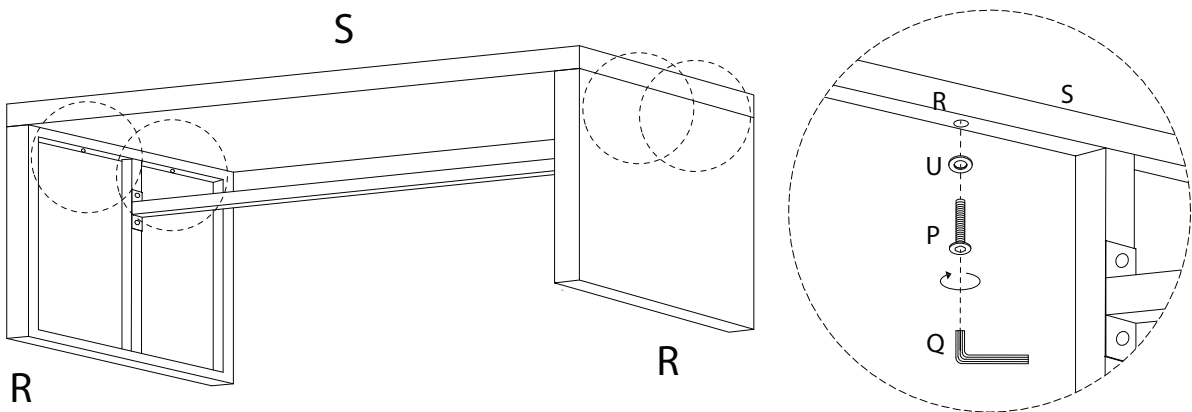
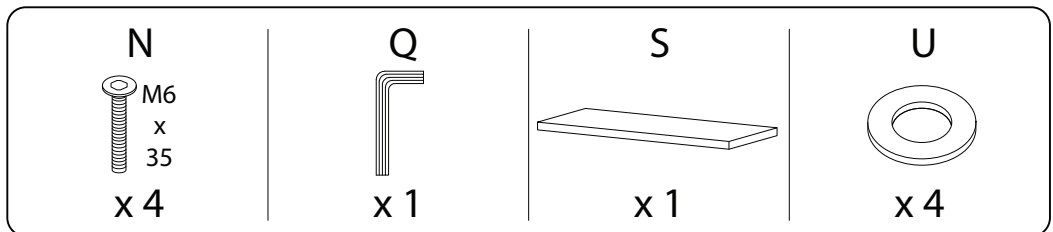


<p>S</p>  <p>x 1</p>	<p>T</p>  <p>x 1</p>	<p>U</p>  <p>x 8</p>	<p>W</p>  <p>x 1</p>
---	---	--	---

1



2



3

