











Assembly Instructions

Caution : You must read this before you proceed

Care & Maintenance

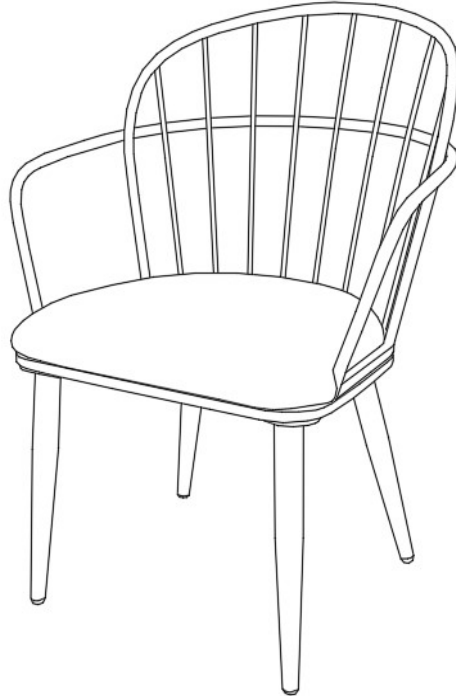
- ⊘  ● Not for commercial use. For residential use only.
- ✓  ● Furniture may scratch floors. We recommend using furniture pads to protect your floors.
- ⊘  ● Do not put hot items directly on furniture surface.
- ⊘  ● Do not clean furniture with harsh cleansers or polish.
- ⊘  ● Do not place furniture under direct sunlight.
- ⊘  ● Do not place furniture near heating or cooling vents.
- ⊘  ● Do not write on furniture without a padded barrier to protect the surface.
- ⊘  ● Do not place furniture outside . For indoor use only.
- ⊘  ● Stains may be removed with mild soap solution and damp cloth.
- ⊘  ● Children should not climb or jump on the furniture.



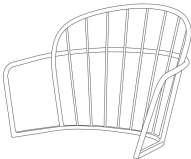
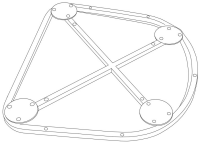

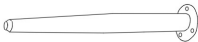
- Dust and pick-up spills using a clean, non-colored, lint-free cloth.


Please look in the carton for hardware packs and legs.
Sets often ship in multiple boxes and may arrive a day or two apart.

CHAIR

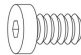
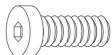
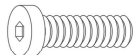




Part List

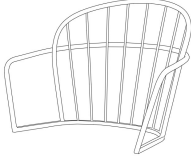
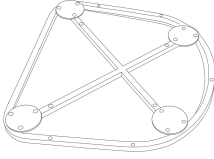








Label	Picture	Description	QTY
A		Chair Back	1
B		Chair Seat	1
C		Seat Cushion	1
D		Front Leg	2

E		Back Leg	2
---	---	----------	---

Hardware List

Label	Picture	Description	QTY
①		Short Bolts (1/4"x16mm)	13
②		Middle Bolts (1/4"x25mm)	6
③		Long Bolts (1/4"x30mm)	5
④		Flat Washer	10
⑤		Allen Wrench	1

Assembly Preparation

<p>Before Beginning Assembly:</p>	 <p>A x 1</p>	 <p>B x 1</p>	 <p>D x 2</p>	 <p>① x 13</p>	 <p>② x 6</p>	 <p>③ x 5</p>	 <p>④ x 10</p>	 <p>⑤ x 1</p>
		 <p>C x 1</p>	 <p>E x 2</p>					



- Read instructions, cover to cover-



- Have 2 adults on hand for assembly-



- Do not assemble on flooring or carpet-



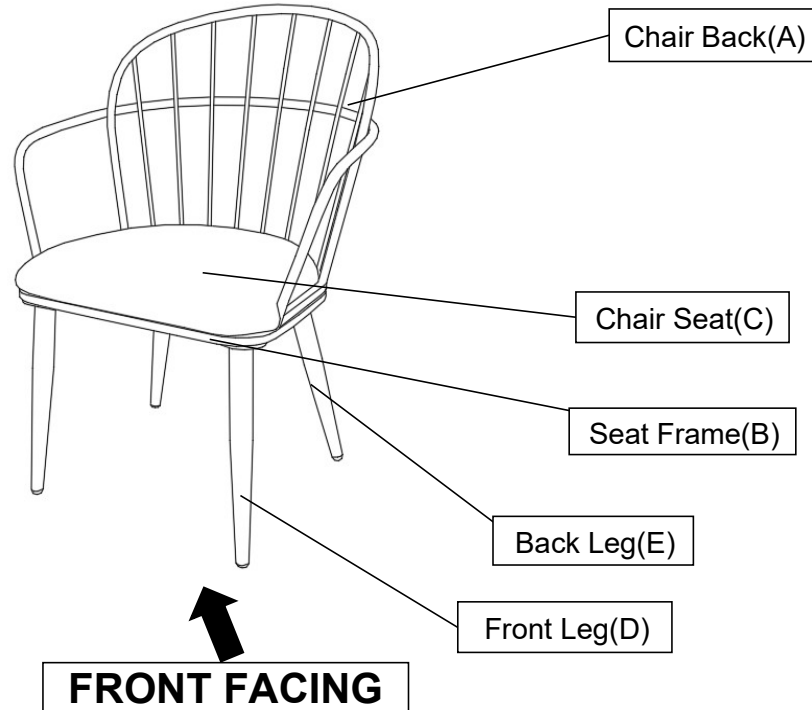
- Assemble on a clean non-marring surface (packing foam)-



- Save all packaging until finished-

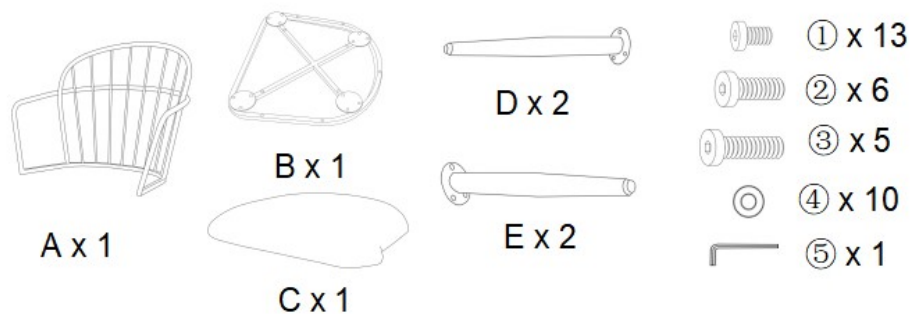
Assembly Steps

OVERVIEW



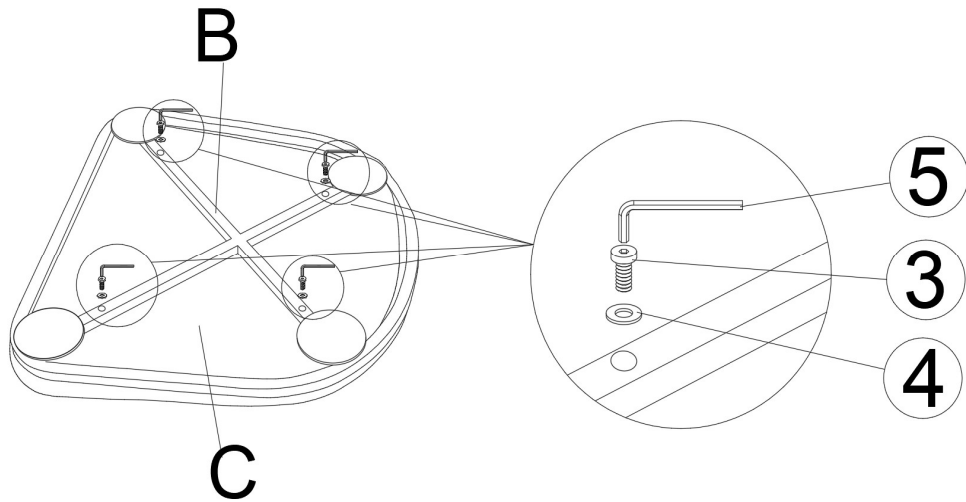
This Chair has multiple parts and may require up to some 30 minutes to assemble. To give you an overview of the Chair parts, the above picture is to help you put the various parts into perspective. Please read through the instructions below to familiarise yourself with the parts and steps before assembly.

Step 1



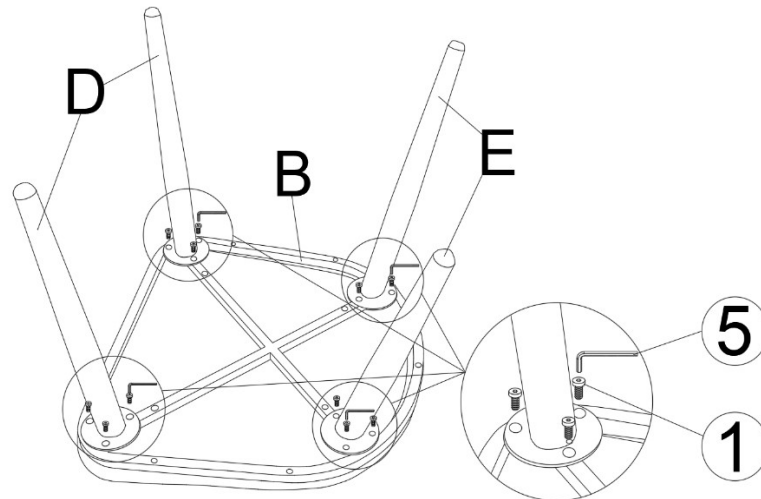
Open the carton and place all the parts onto a clean, non-marring surface.

Step 2



Place the Chair Seat(C) facedown onto a clean, non-marring surface,as shown above.
Align the hole of Seat Frame(B) into the Chair Seat(C) ,attach the Seat Frame(B) to the Chair Seat(C) using Long Bolt(③), Flat Washer(④) and Allen Wrench(⑤).

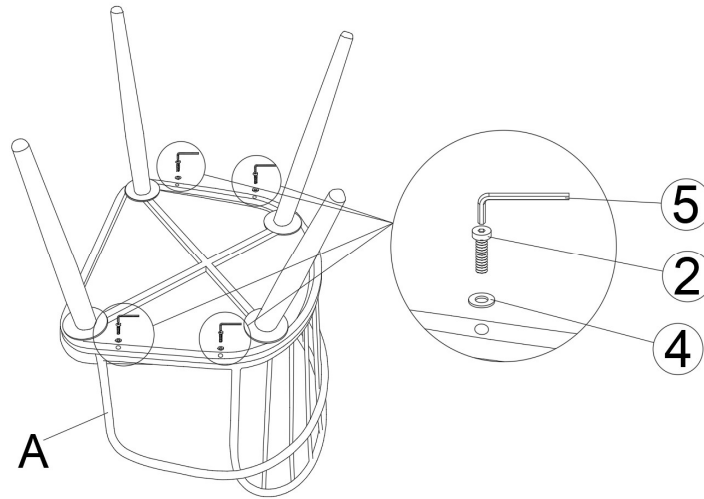
Step 3



Align the hole of Front Leg(D) into the Seat Frame(B) ,attach the Front Leg(D) to the Seat Frame(B) using Short Bolt(①) and Allen Wrench(⑤).
Repeat the same step to install the remaining Back Leg(E).

DO NOT FULLY TIGHTEN BOLTS.

Step 4

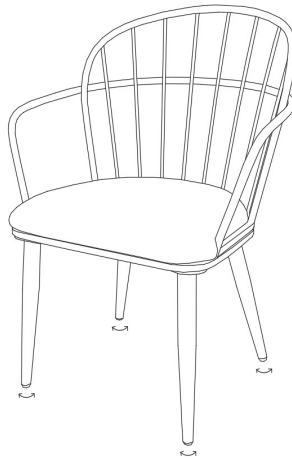


Position the Chair Back(A) facedown onto a clean, non-marring surface,as shown above.

Attach the Seat Frame(B) and Chair Seat(C) to the Chair Back(A) using Middle Bolt (2), Flat Washer(4) with Allen Wrench(5).

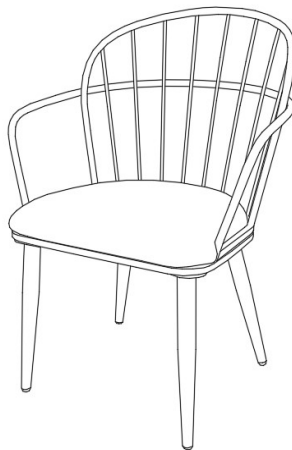
Tighten all bolts at all joints completely.

Step 5



Turn the chair right side up.

Step 6



Your chair is ready for use.

This chair can only be used on a flat, level surface.