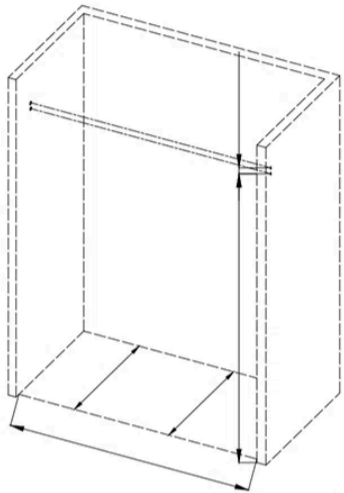


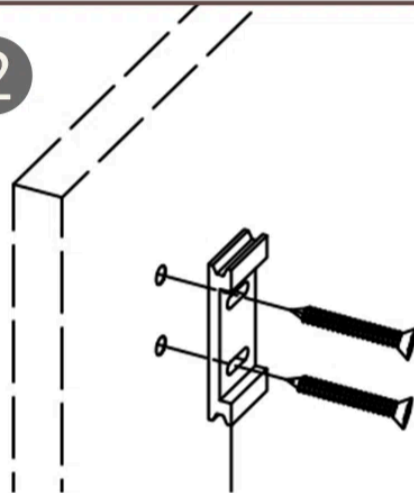
# HASSLE-FREE SETUP GUIDE

1



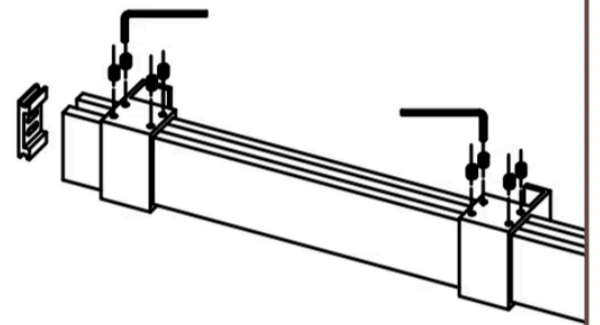
Measure the opening of shower

2



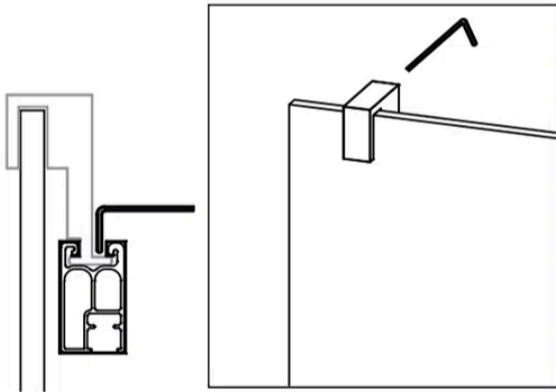
Fix wall mountings

3



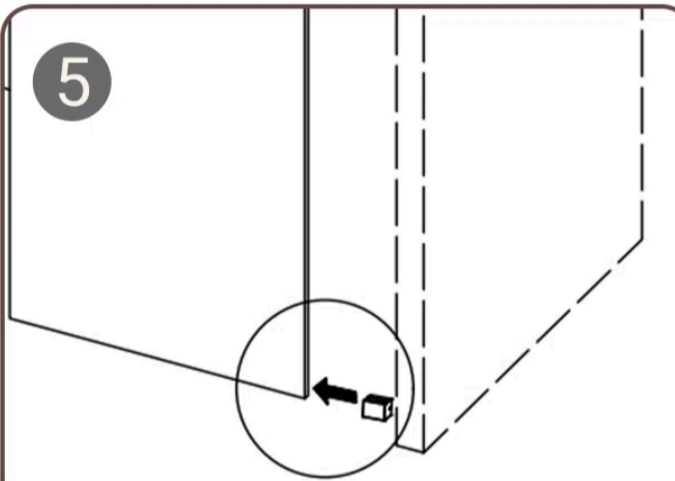
Put wall brackets against wall

4



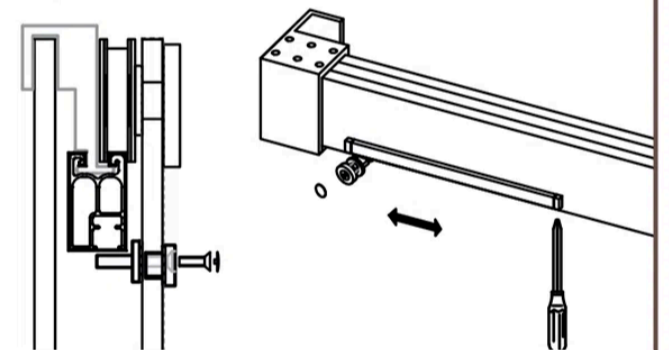
Slide clamps inside the glass

5



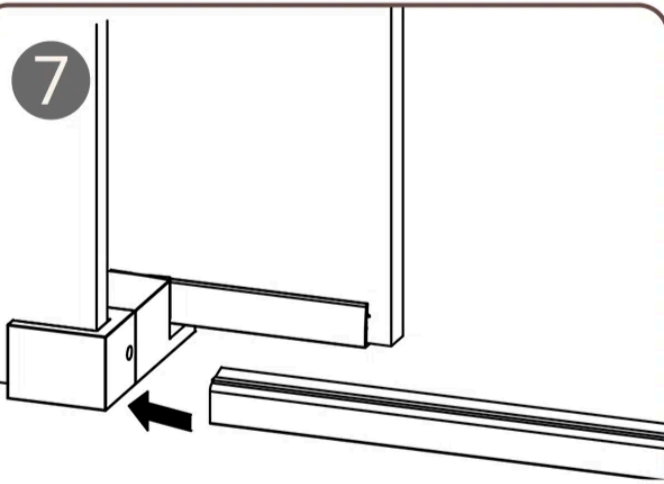
Attach the guide block

6



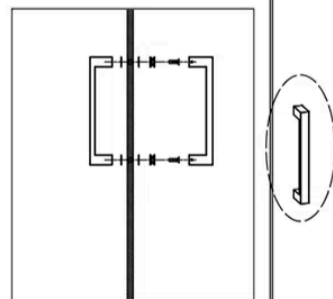
Insert another panel into the rail

7



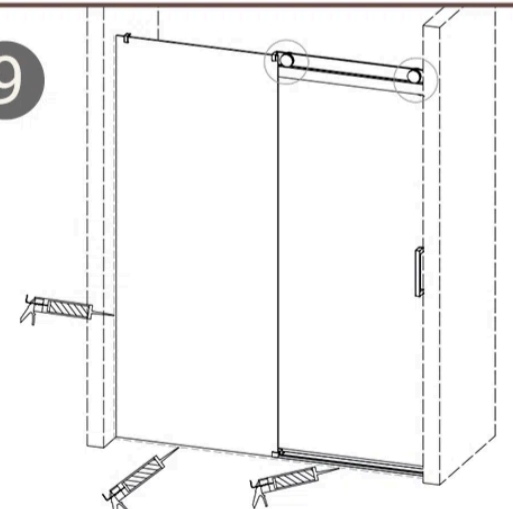
Fix anti-splash threshold

8



Install handles securely

9



Seal frame using silicone