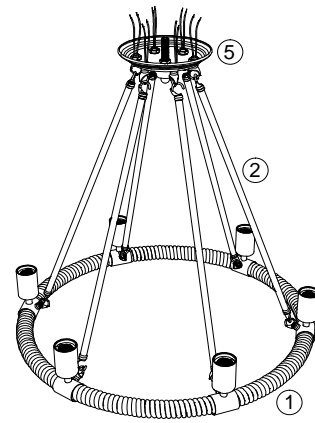
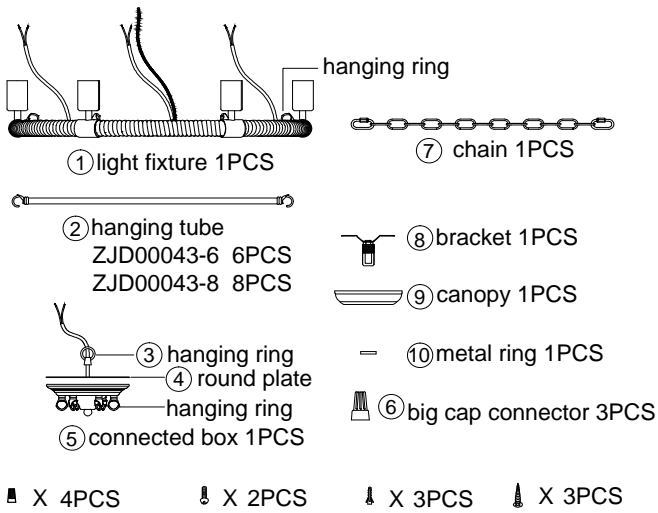
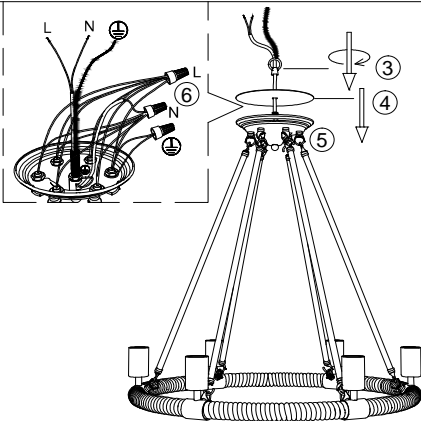


INSTALLATION & ASSEMBLY

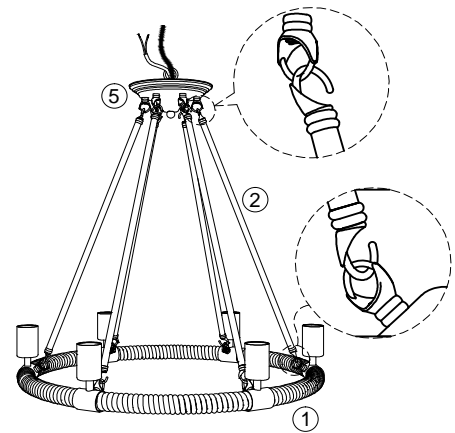


1. Let the wires of the fixture ① go through hanging tube ② and connected box ⑤.

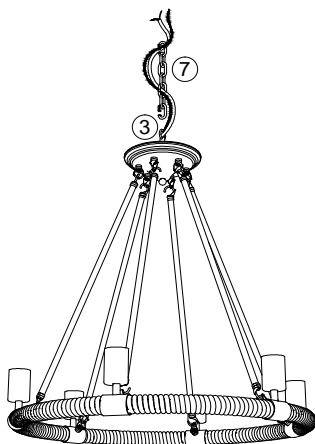


2. Connect all the wires by parallel with connectors ⑥ (all live line-L use one connector, and neutral Line-N use another connector, ground line to round line).

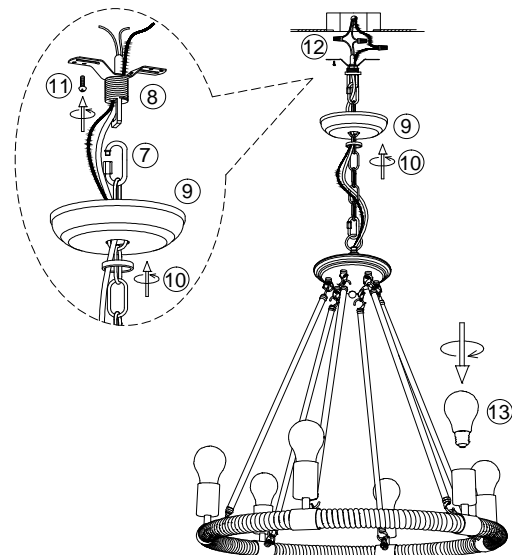
3. Let the main wire and ground wire go through the round plate ④ and hanging ring ③, rotate the ring ③ to fix the round plate ④ with the connected box ⑤ together. (please make sure that all the wires should be in the connected box ⑤ to avoid the wires be damaged)



4. Hang the fixture ① to the connected box ⑤ with the hooks of tubes ②.



5. Install the chain ⑦ to the fixture, let the wire go through the chain ⑦.



6. Install the bracket to the ceiling junction box with screw ⑪.

7. Let the chain ⑦, main wire and the ground wire go through the ring ⑩, canopy ⑨ and bracket, hang the chain ⑦ to the bracket ⑧.

8. Connect the wires to your home line with cap connectors ⑫.

9. Rotate the ring ⑩ to lock the canopy ⑨ to the bracket ⑧.

10. Install the bulb ⑬.

Please read carefully before installation!!!

Note : Please make sure that the electricity is powered off during installation !

Only a professional electrician should install this kind of product !