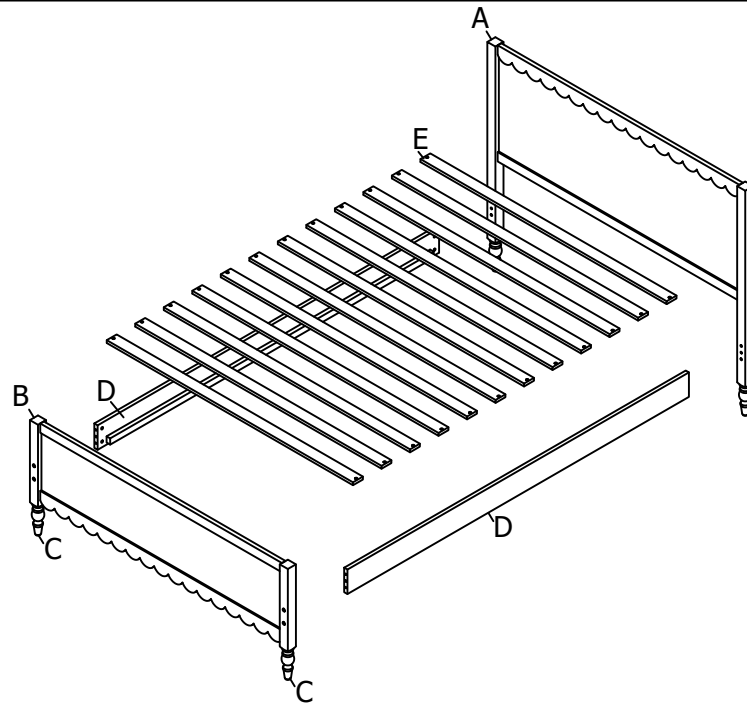


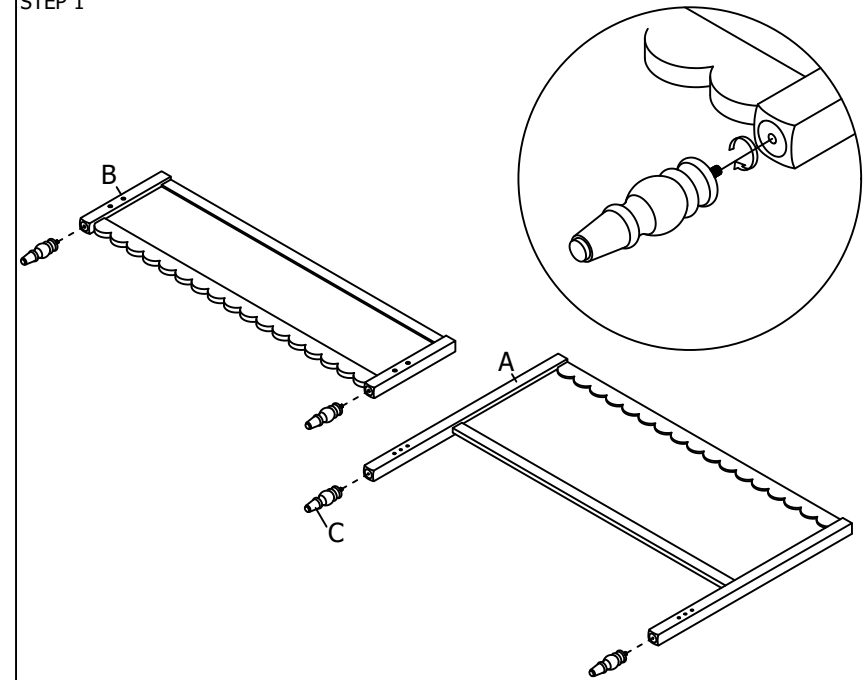
# ASSEMBLY INSTRUCTIONS

MODEL :RONI TWIN BED

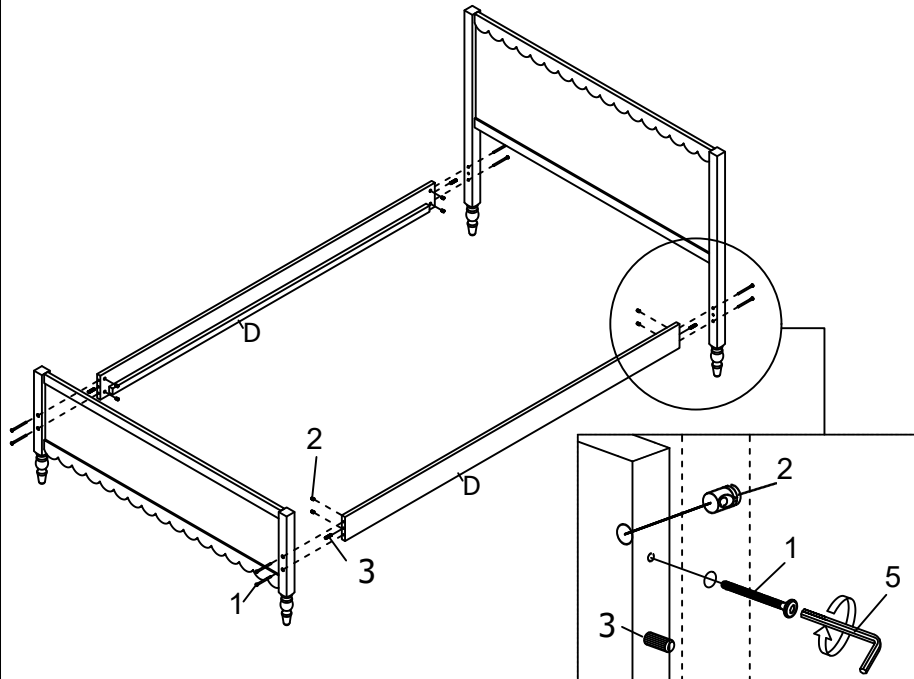
NO	Hardware	QTY
1	JCBC M6 X 80 mm 	8
2	BARRET NUT 	8
3	WOOD DOWEL M8 X 30 mm 	4
4	CSK M4 x 25mm 	24
5	ALLEN KEY - M4 	1



STEP 1



STEP 2



STEP 3

