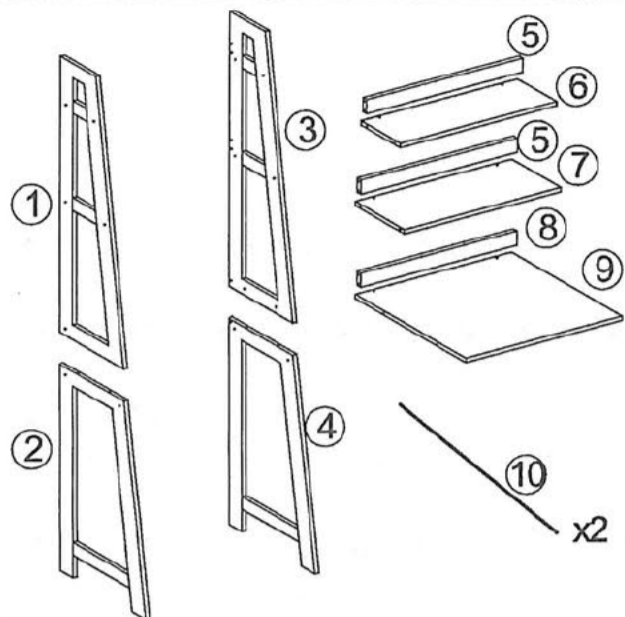


# ASSEMBLING INSTRUCTIONS



A		M4X35mm	11 PCS
B		M5X50mm	18 PCS
C		M5.8X30mm	10 PCS
D		M4X15mm	4 PCS
E		M4X10mm	2 PCS
F			4 PCS
G			2 PCS
H			2 PCS
I			18 PCS
J			14PCS

