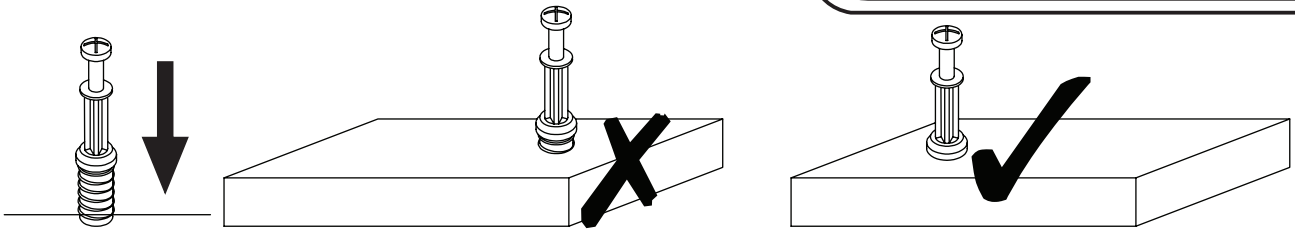
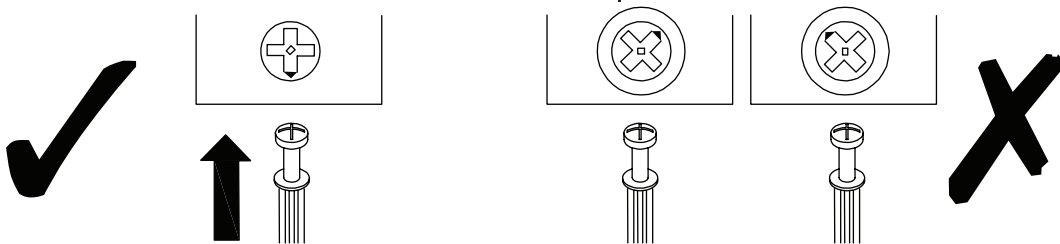


**EN\_IMPORTANT, RETAIN FOR FUTURE REFERENCE: READ CAREFULLY.**

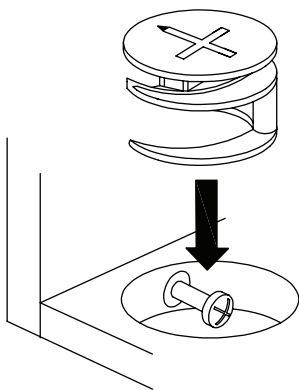
## USING CAM LOCK AND QUICKFIT



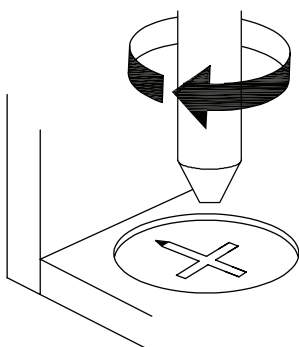
**EN\_QUICKFIT:** Tighten quickfit until shoulder is flush with panel. Do not overtighten or undertighten.



**EN\_CAM LOCK:** When fitting cam lock, ensure starting position is correct before you insert connecting quickfit.

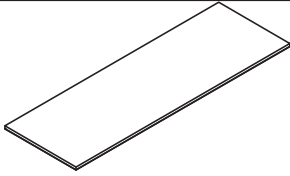
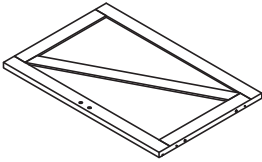
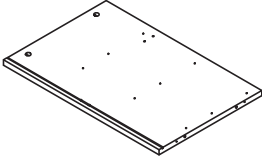
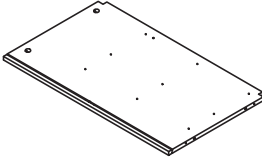
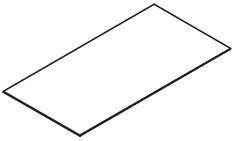

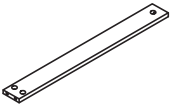

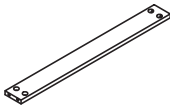
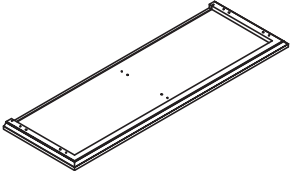


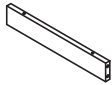
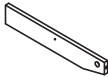
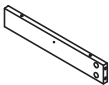
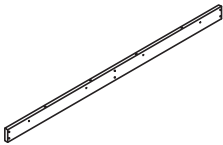
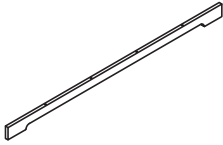
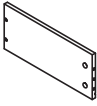
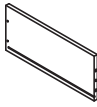
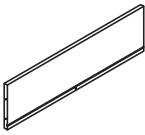
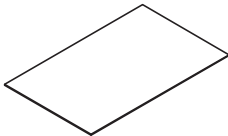
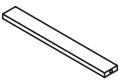
**EN\_Quickfit** head should be in the centre of the cam lock when the two panels are joined.  
Cam lock should be inserted before quickfit.

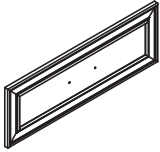
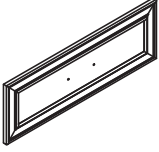



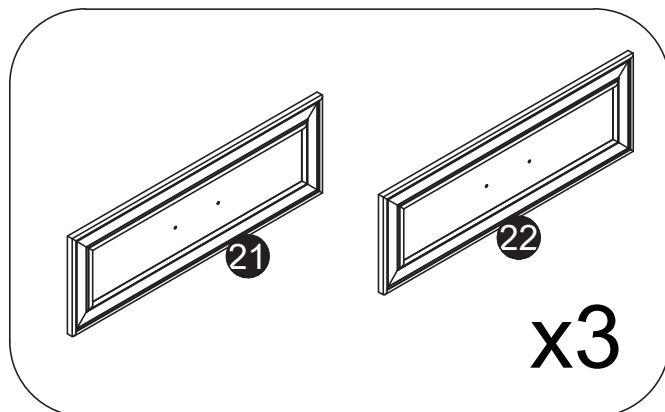
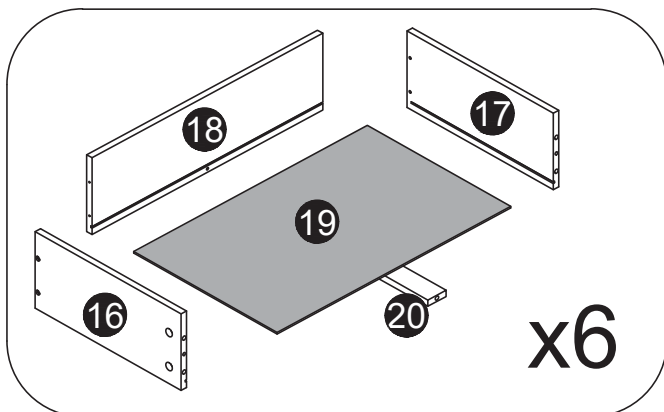
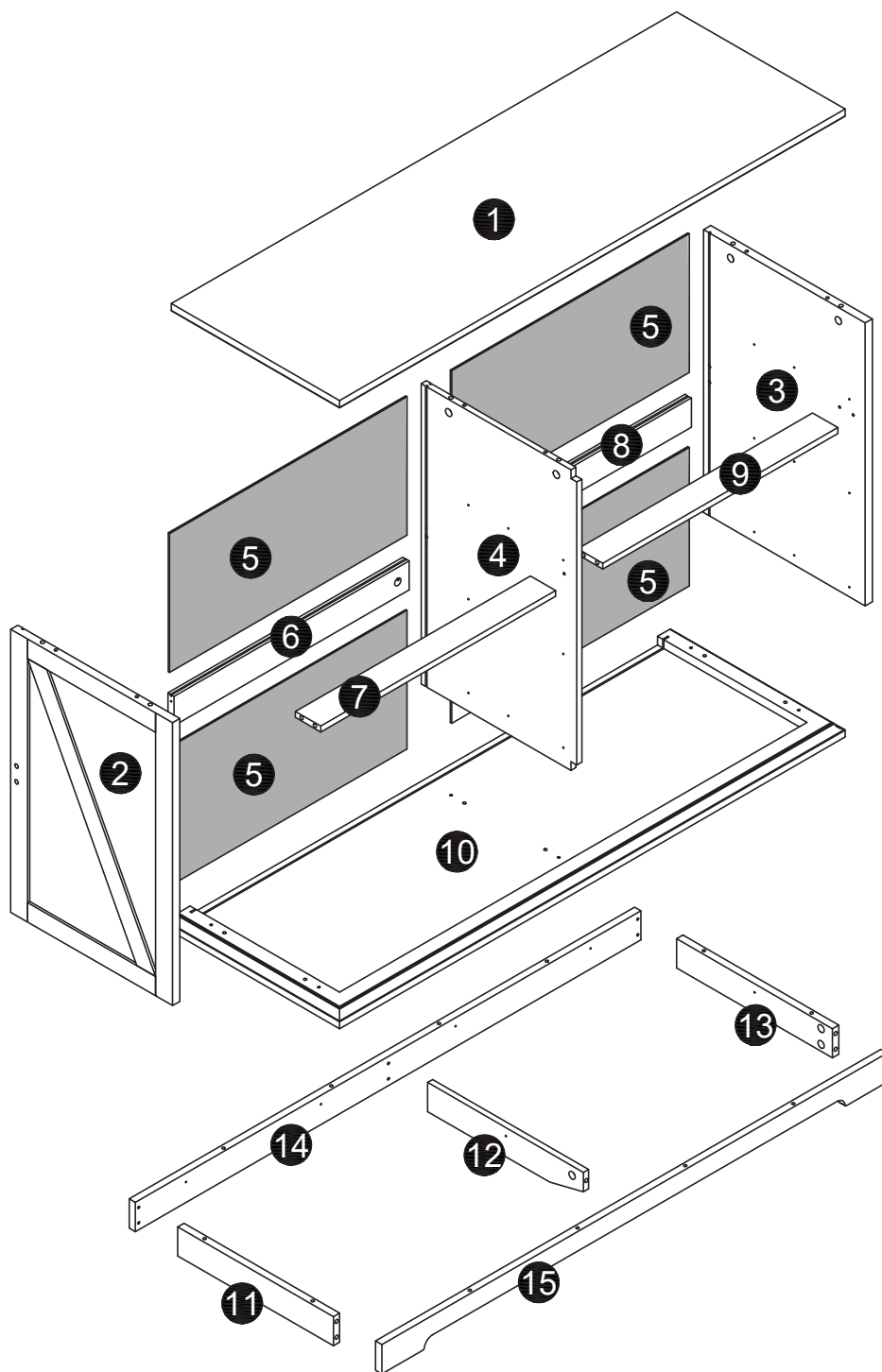
**EN\_Turn** cam lock clockwise to tighten.

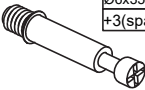

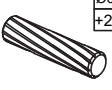
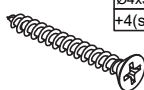

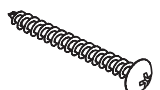

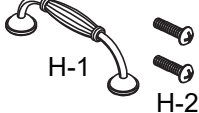
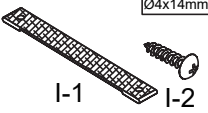
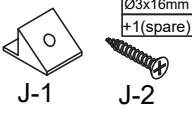
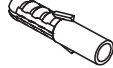
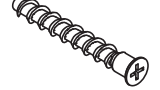


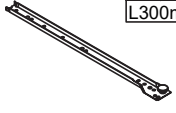
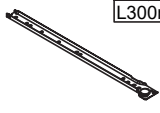
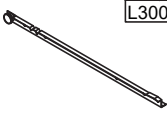
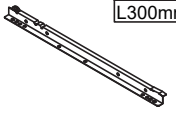
PACKING DELALS

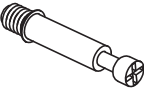

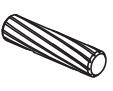
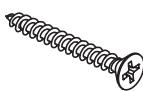
NO.	PARTS	QTY	SPARE
①		x1	
②		x1	
③		x1	
④		x1	
⑤		x4	
⑥		x1	
⑦		x1	
⑧		x1	
⑨		x1	
⑩		x1	

NO.	PARTS	QTY	SPARE
⑪		x1	
⑫		x1	
⑬		x1	
⑭		x1	
⑮		x1	
⑯		x6	
⑰		x6	
⑱		x6	
⑲		x6	
⑳		x6	

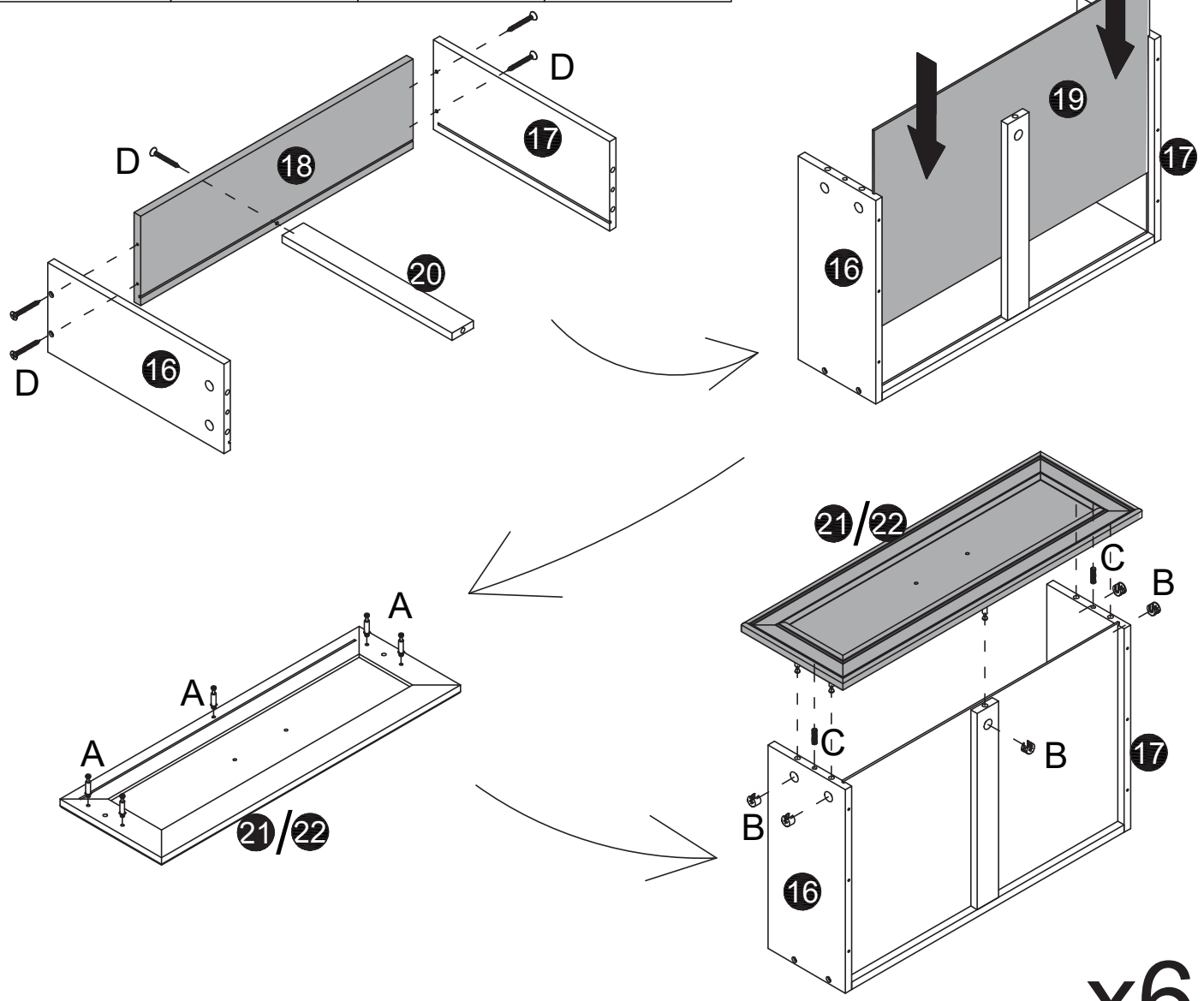
NO.	PARTS	QTY	SPARE
②1		x3	
②2		x3	
	 Hardware Kit	x1	



 <b>A</b> x51 Ø6x35mm +3(spare)	 <b>B</b> x51 Ø15x10mm +3(spare)	 <b>C</b> x36 Ø6x30mm +2(spare)	 <b>D</b> x40 Ø4x35mm +4(spare)	 <b>E</b> x94 +9(spare)	 <b>F</b> x4
 <b>G</b> x11	 <b>H</b> x6 H-1 H-2	 <b>I</b> x2 Ø4x14mm I-1 I-2	 <b>J</b> x16 Ø3x16mm +1(spare) J-1 J-2	 <b>K</b> x2 Ø6x30mm	 <b>L</b> x4
 <b>M</b> x4 Ø15mm +1(spare)	 <b>N</b> x12	 <b>CL</b> x6 L300mm	 <b>CR</b> x6 L300mm	 <b>DL</b> x6 L300mm	 <b>DR</b> x6 L300mm

 <b>A</b> x30	 <b>B</b> x30	 <b>C</b> x12	 <b>D</b> x30
---	---	---	---

**01**

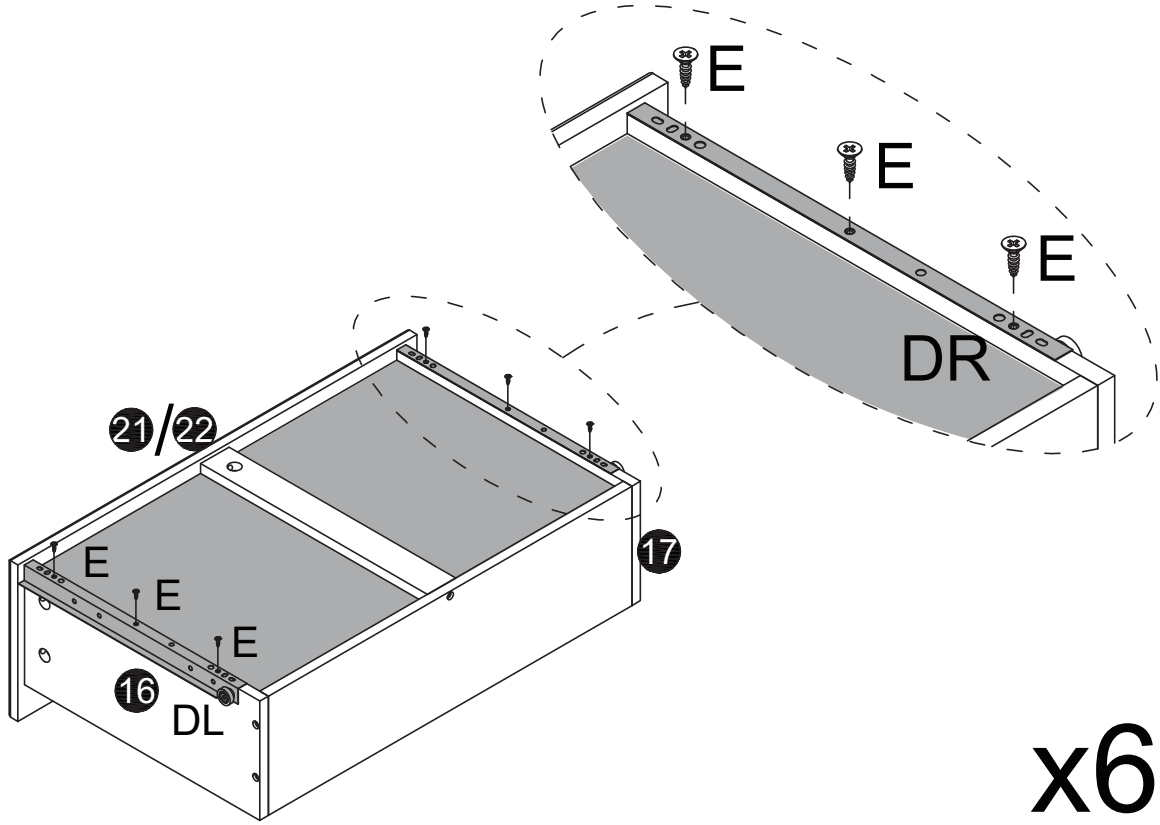
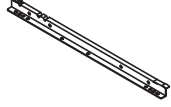
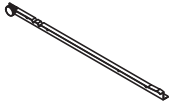


**x6**

E x36

DL x6

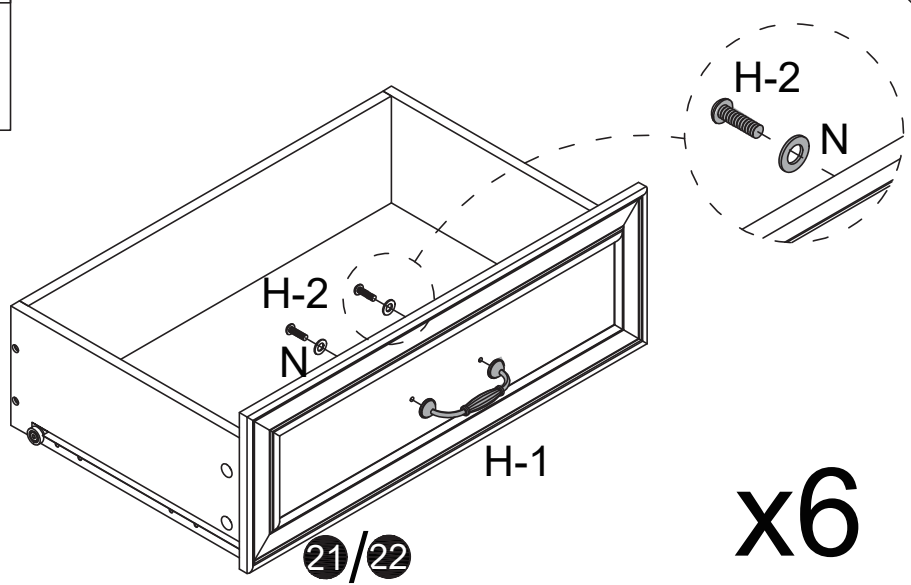
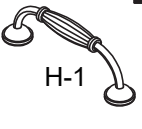
DR x6



x6

H x6

N x12



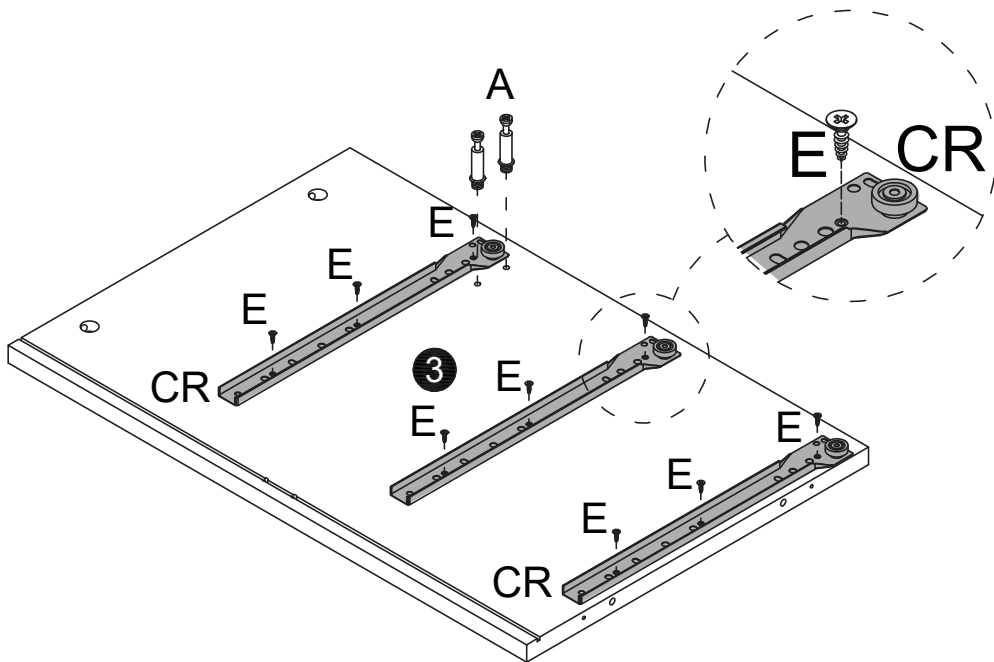
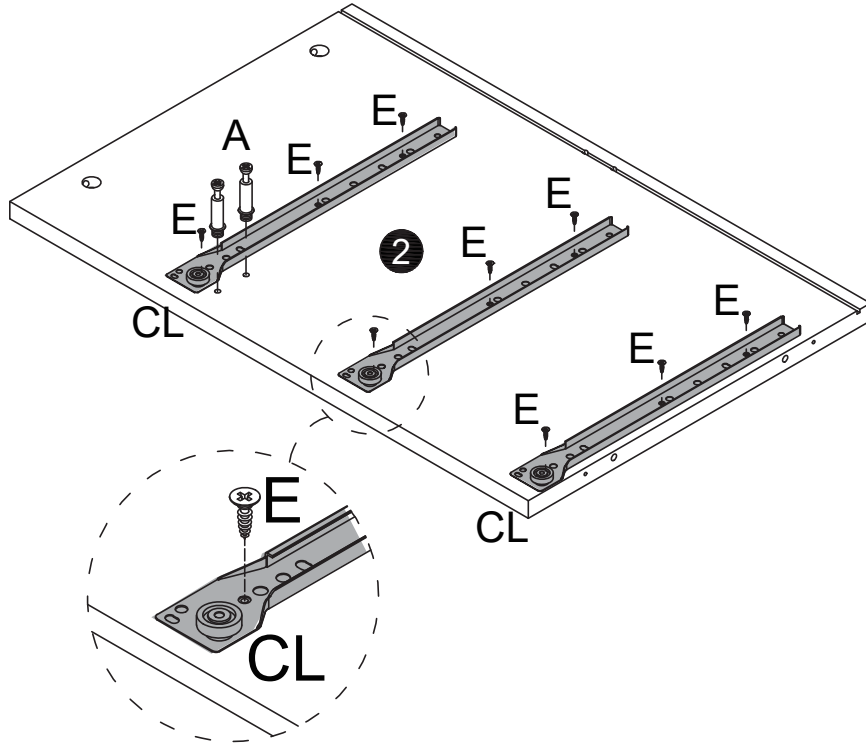
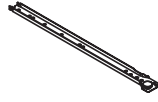
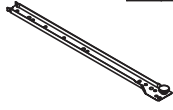
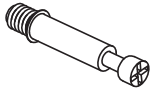
x6

A x4

E x18

CL x3

CR x3

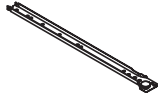
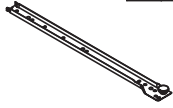
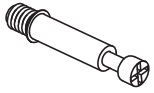


A x4

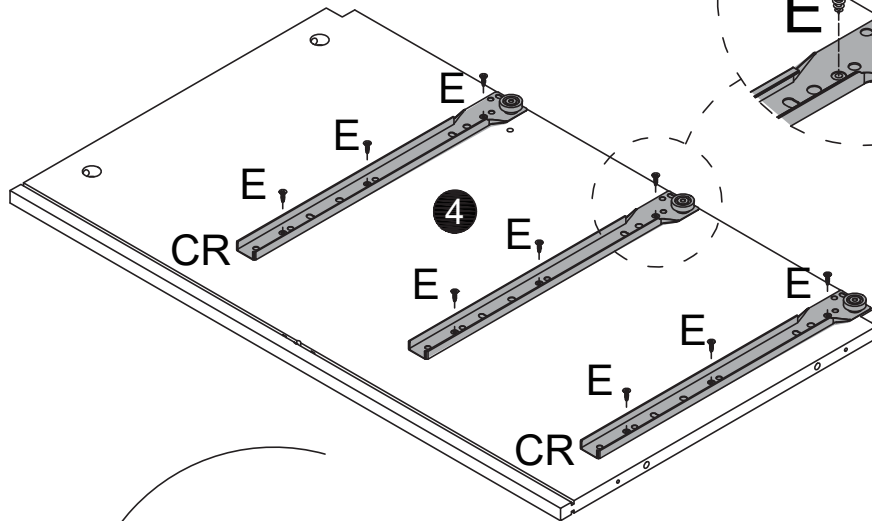
E x18

CL x3

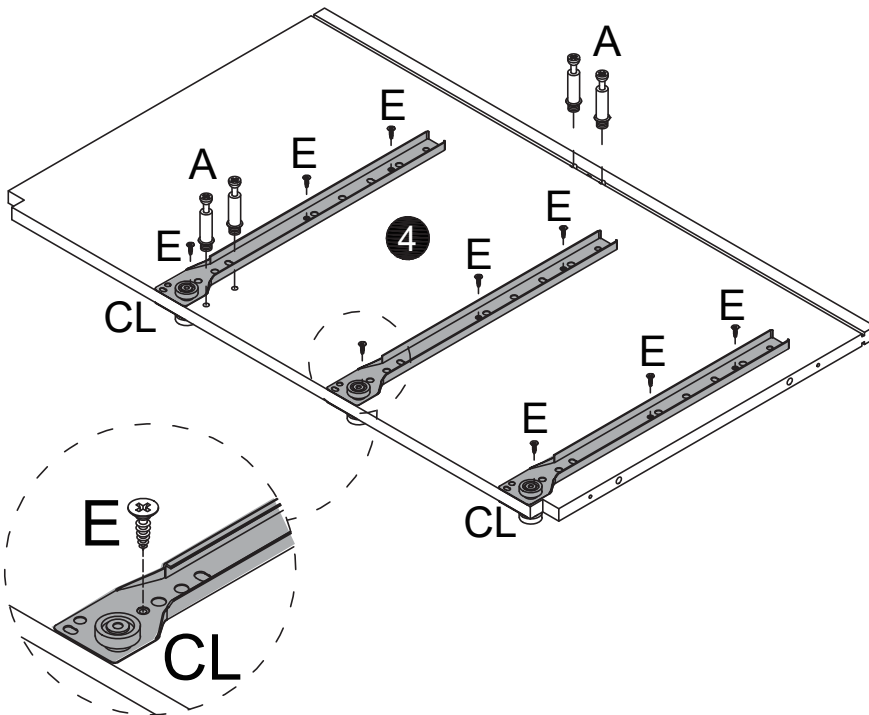
CR x3



Second hole

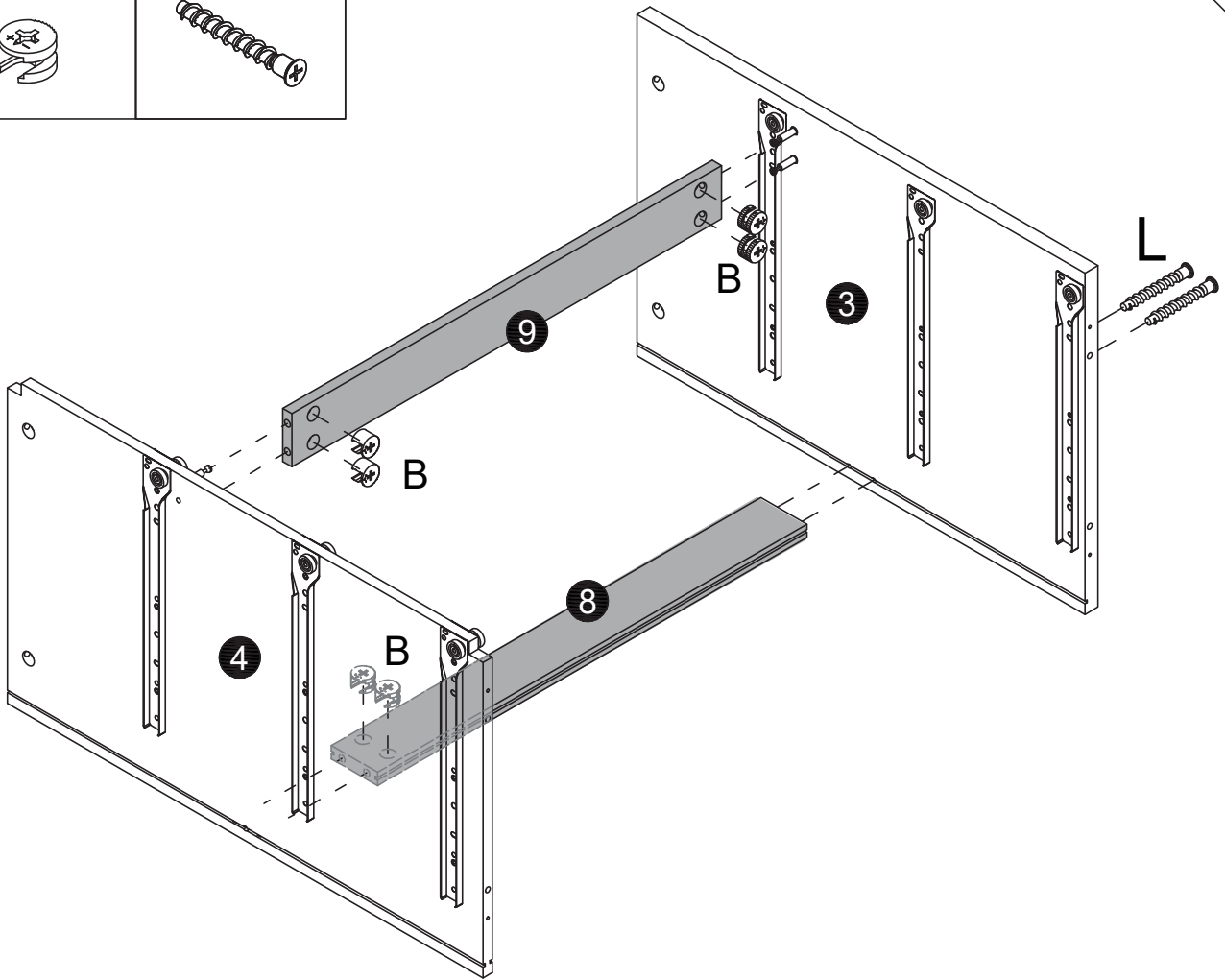
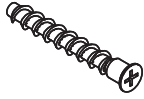


180°

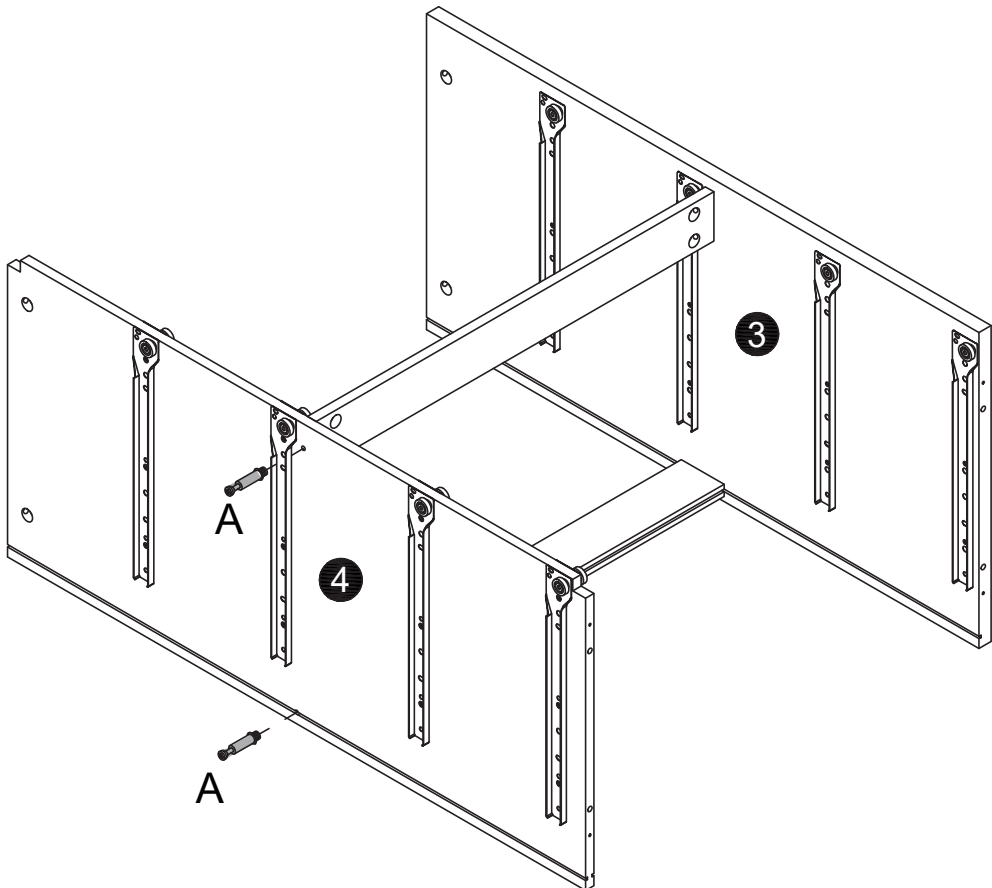
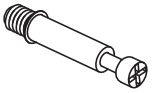


B x6

L x2

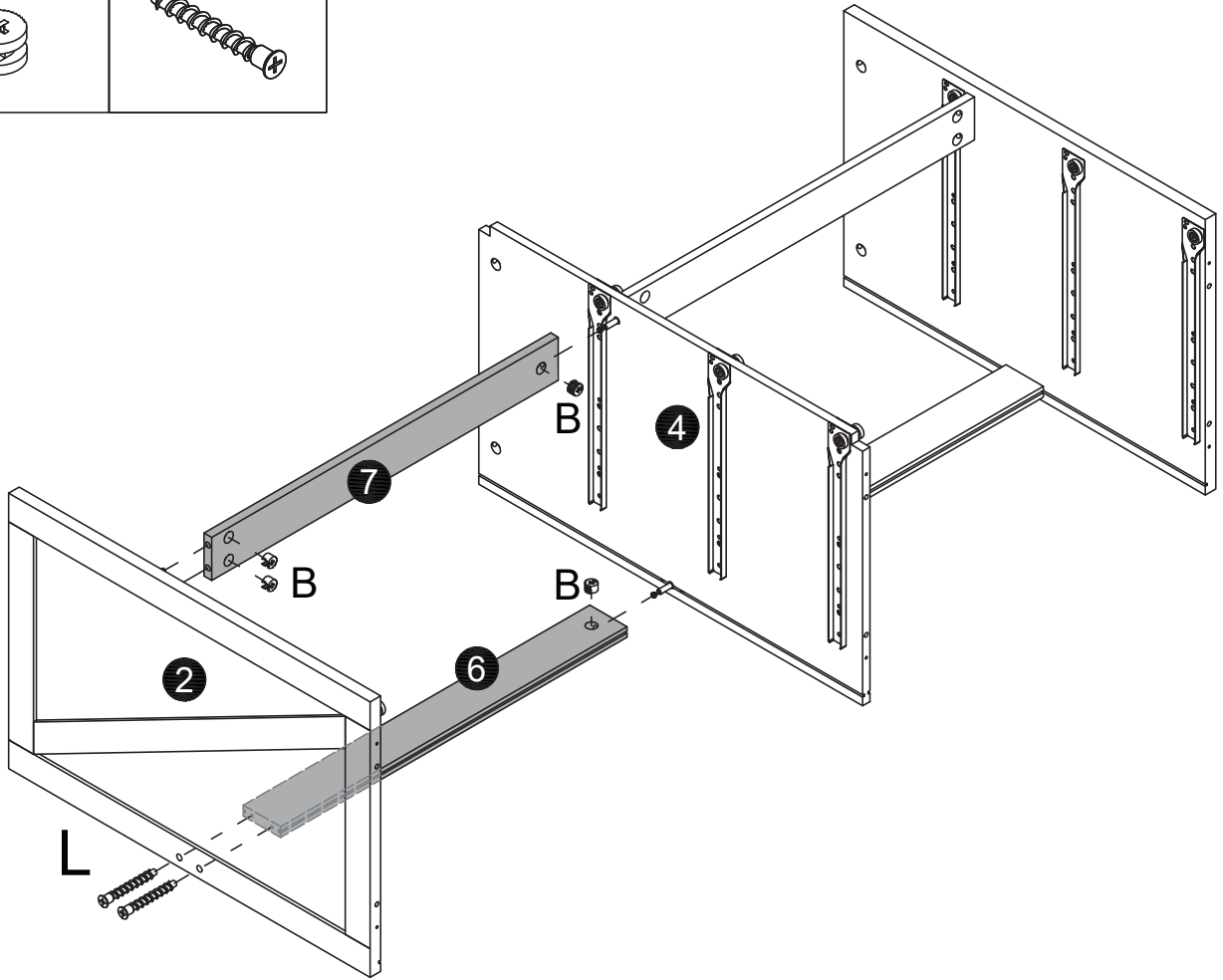
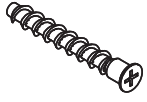


A x2

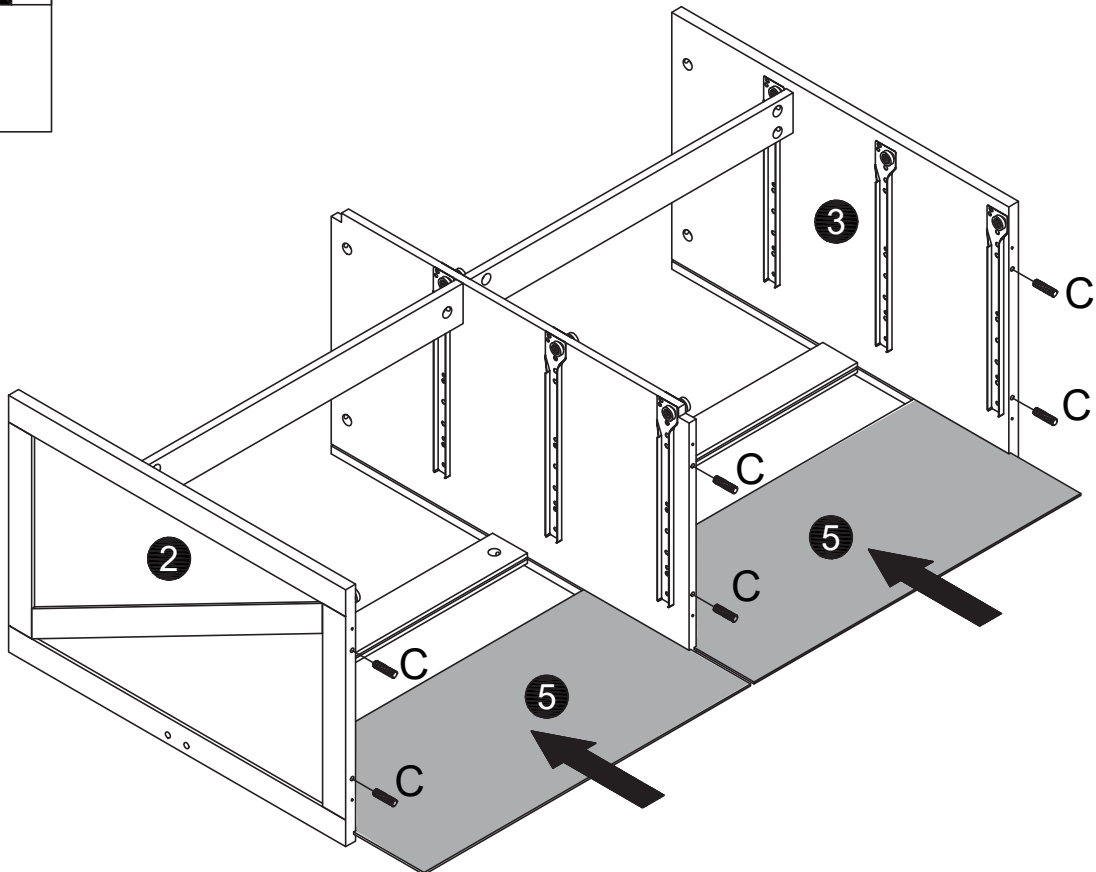


B x4

L x2

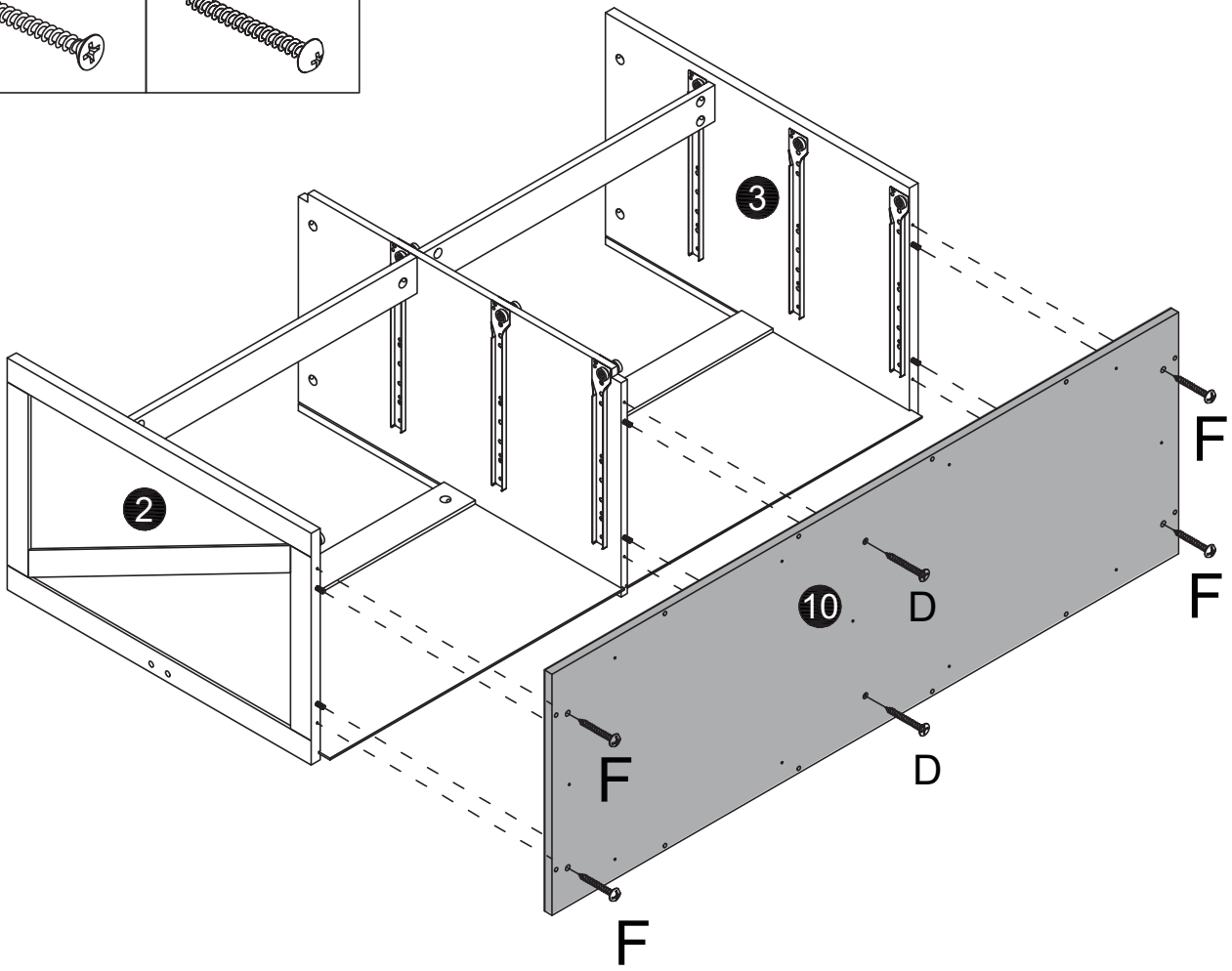
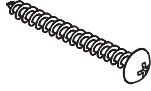
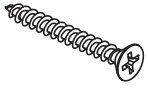


C x6

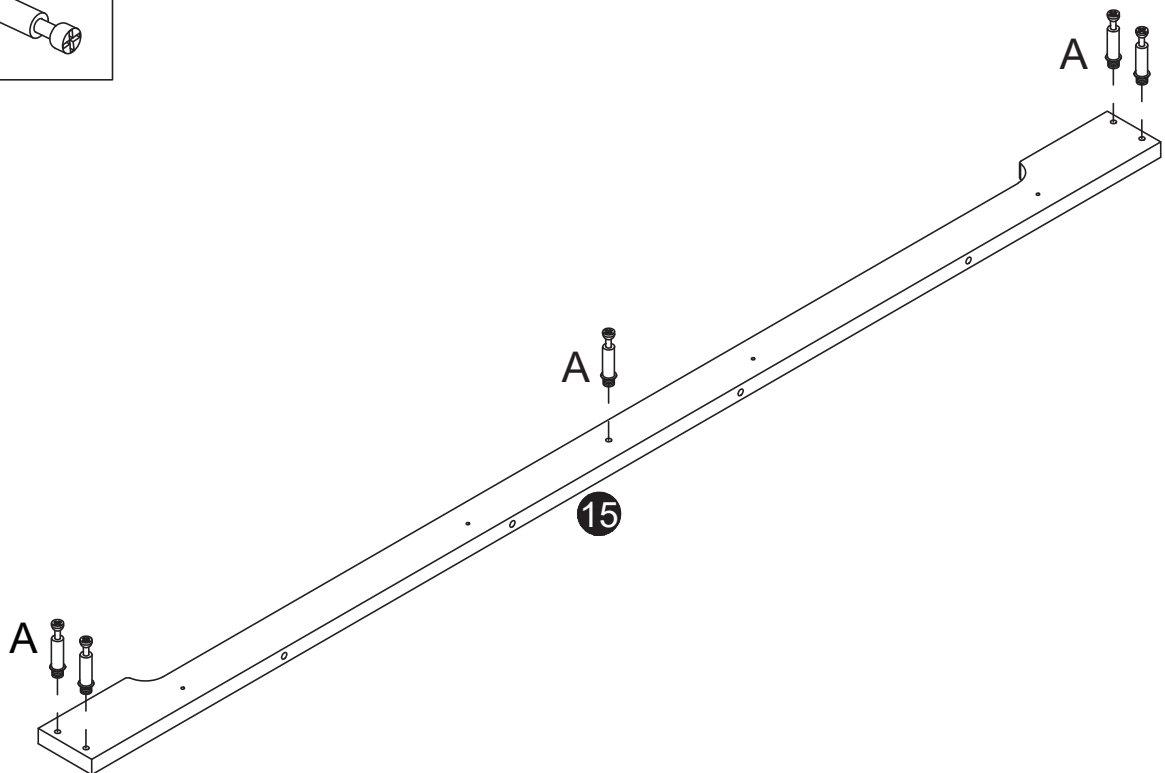
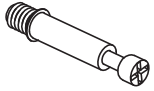


D x2

F x4

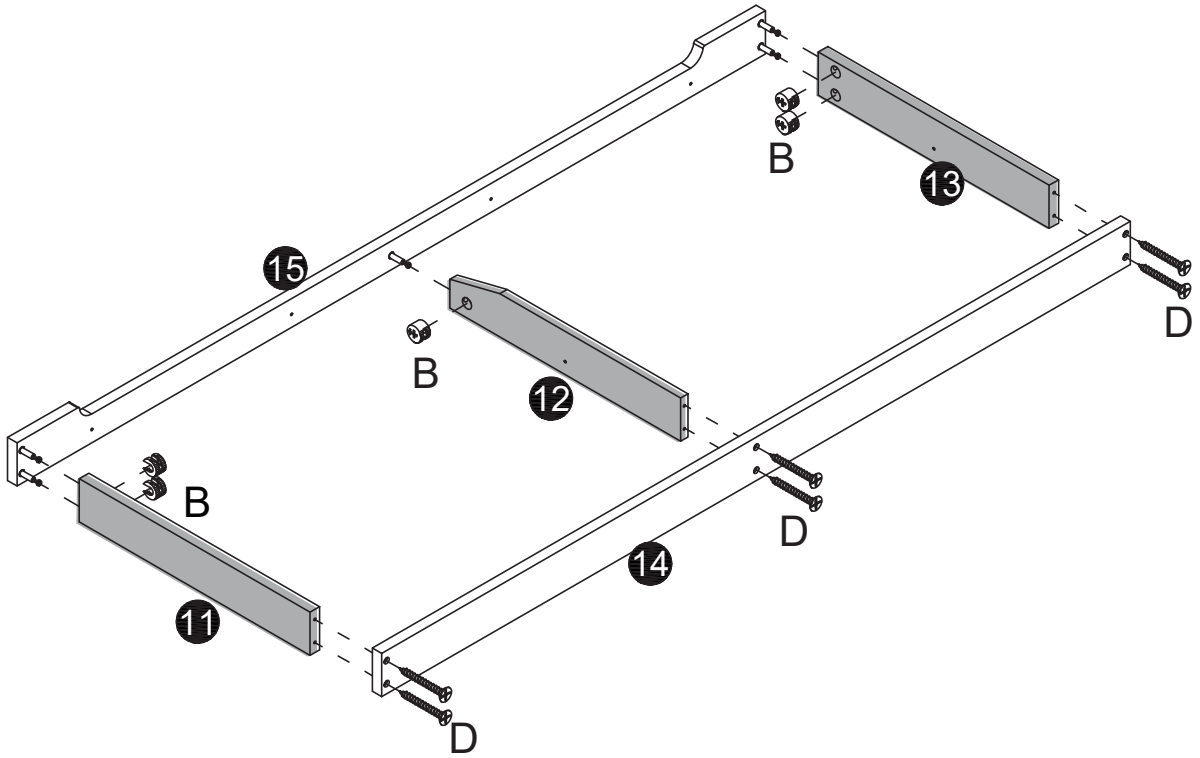
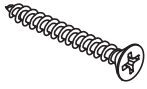


A x5



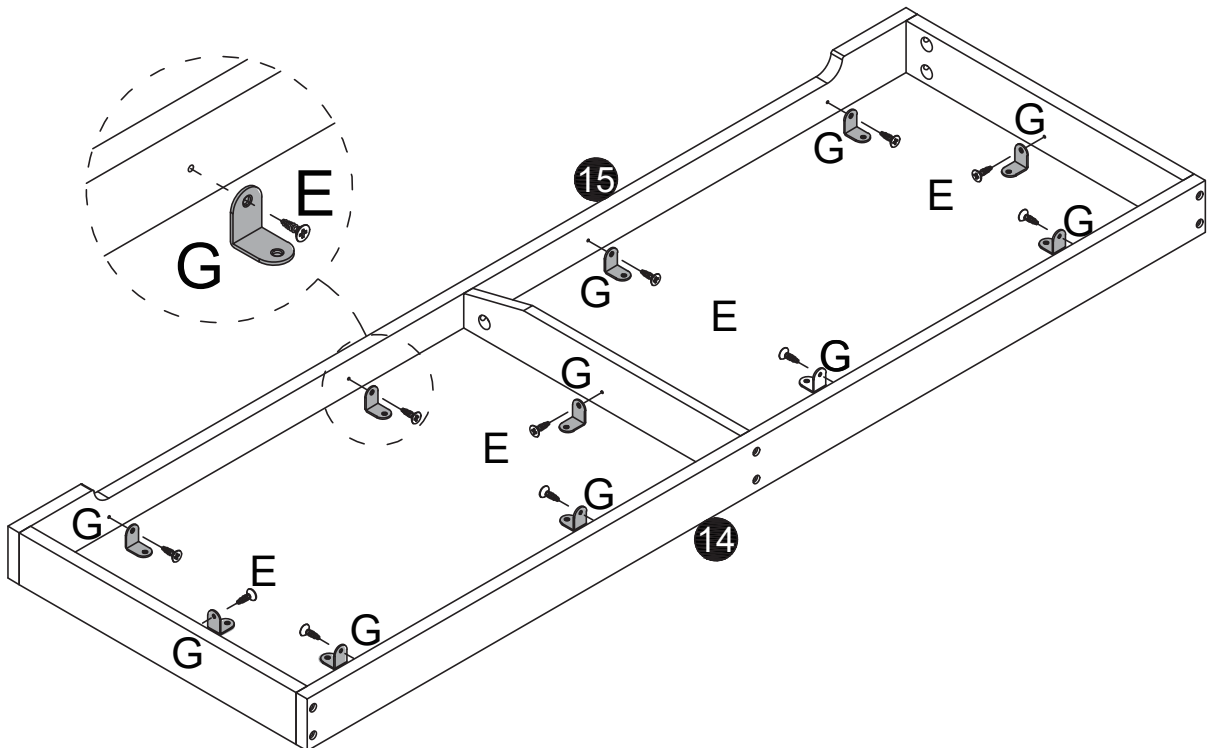
B x5

D x6



E x11

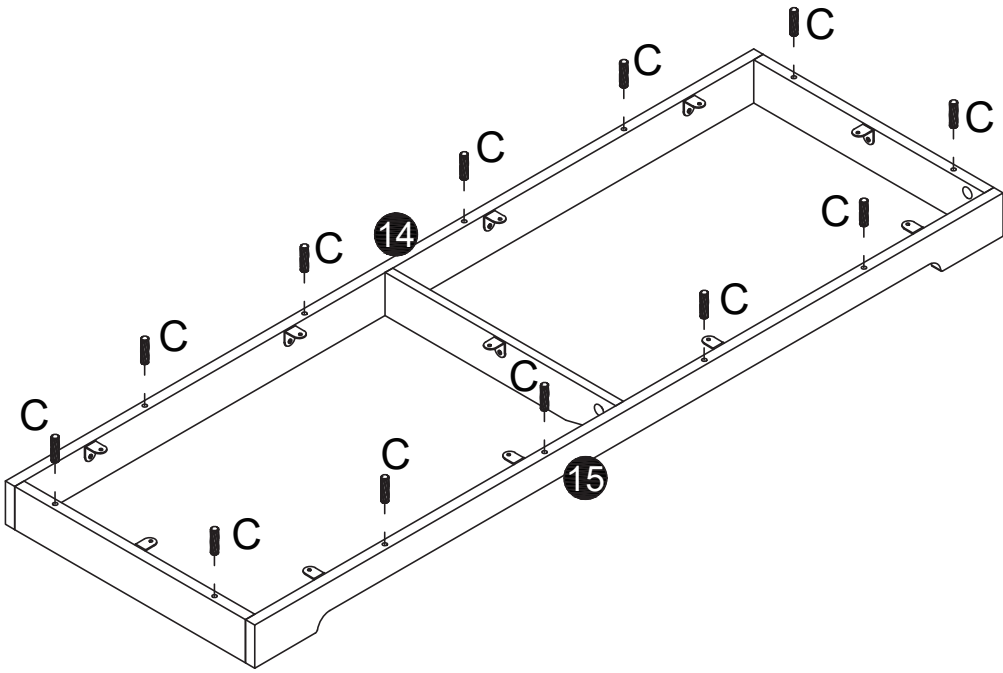
G x11



C x12



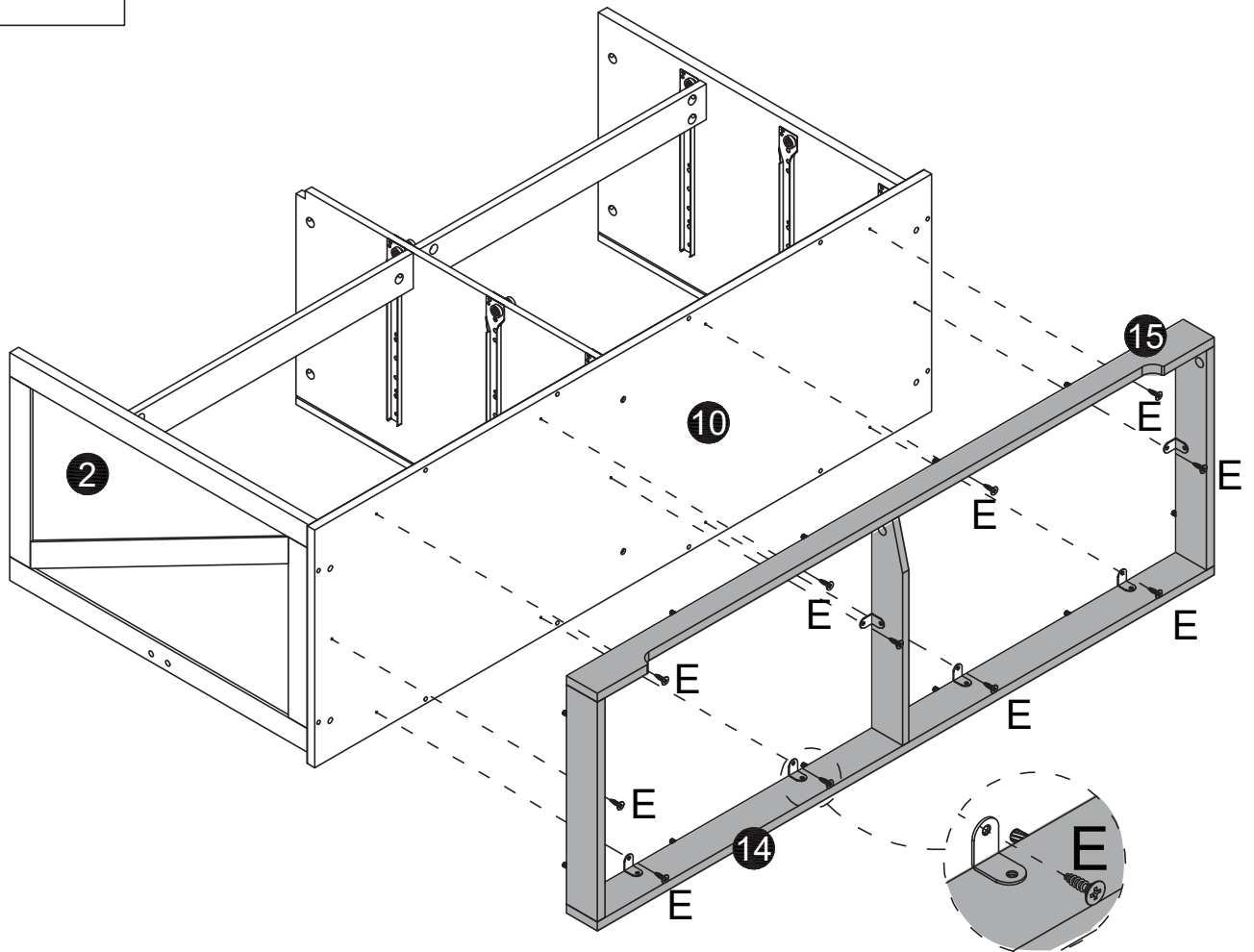
14



E x11



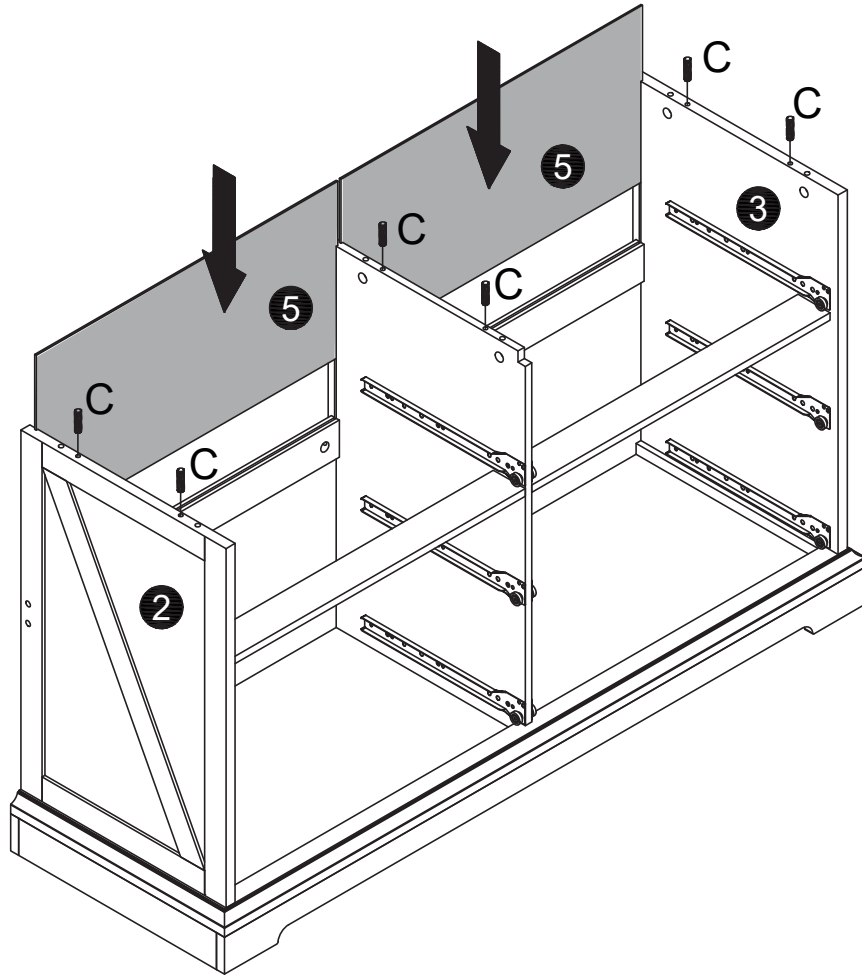
15



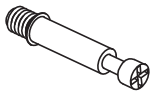
C x6



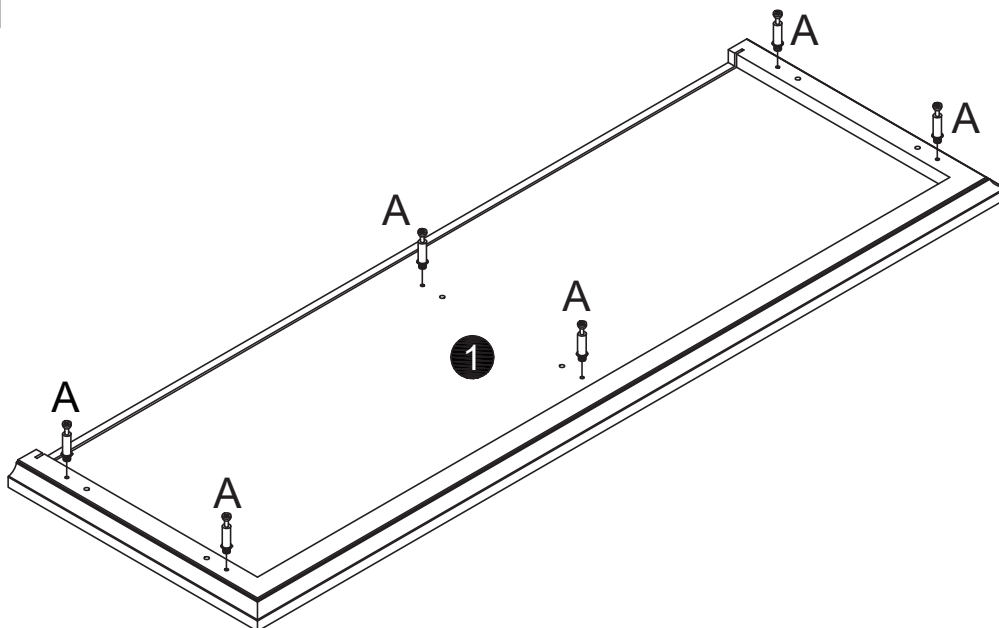
16



A x6



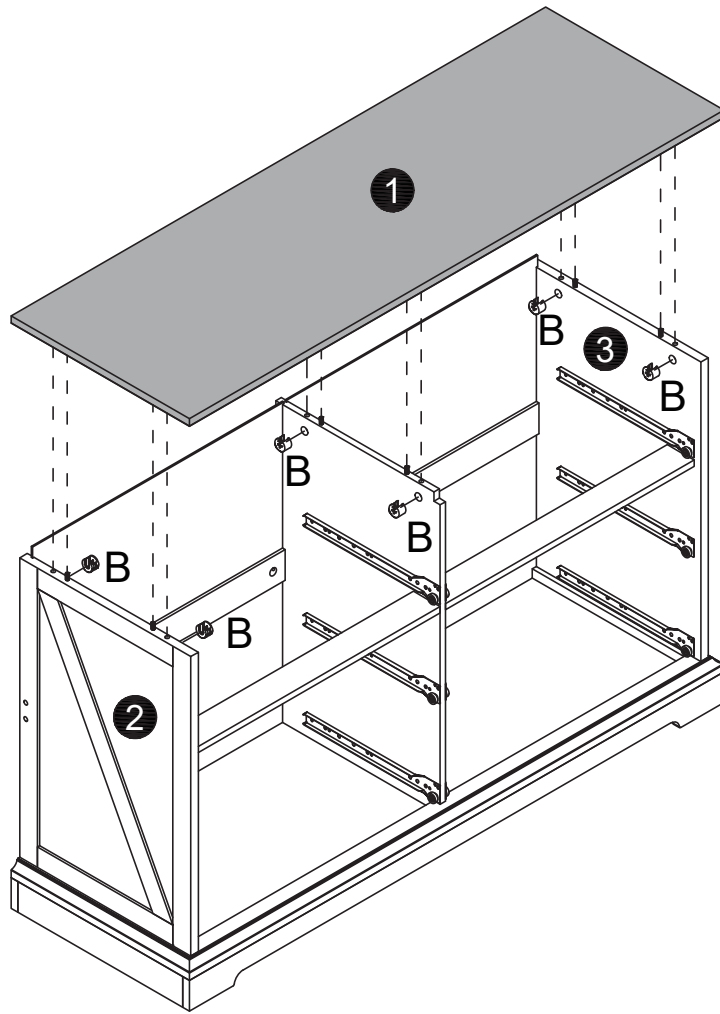
17



B x6



18



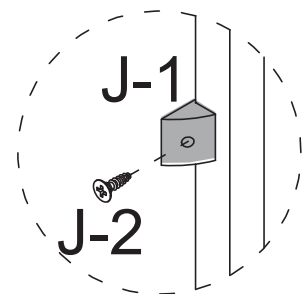
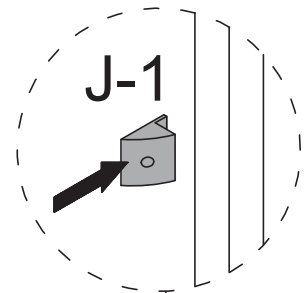
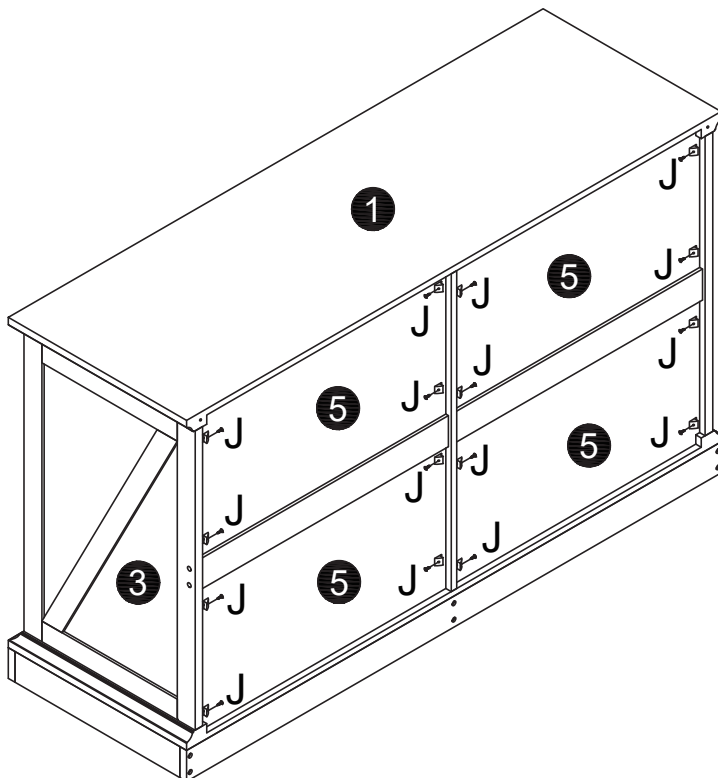
J x16

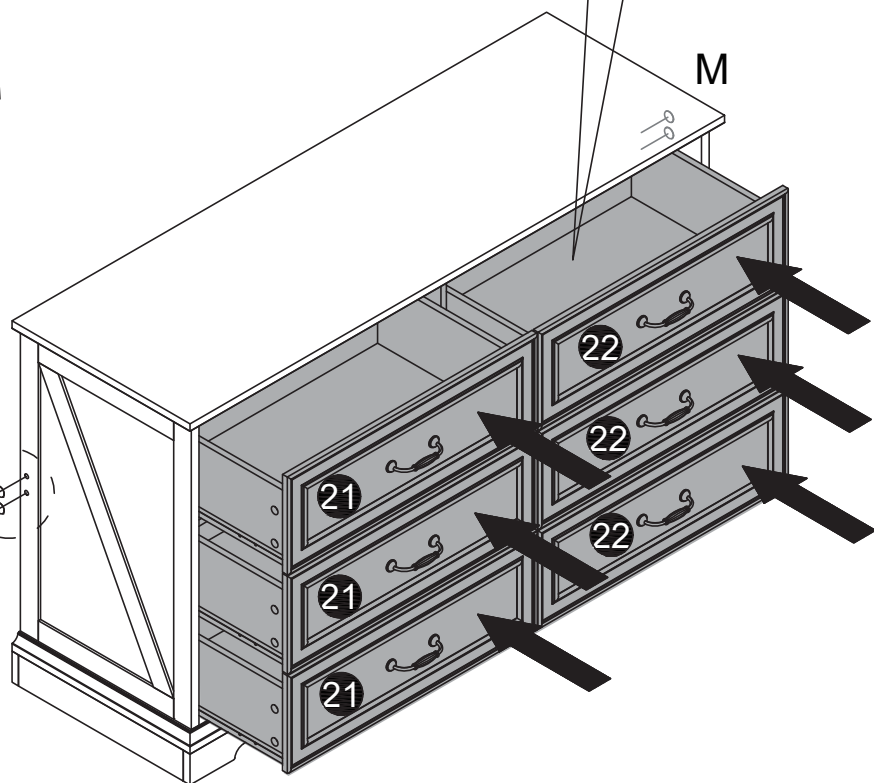
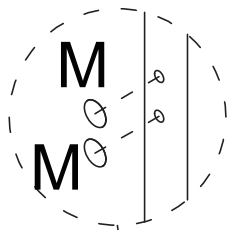
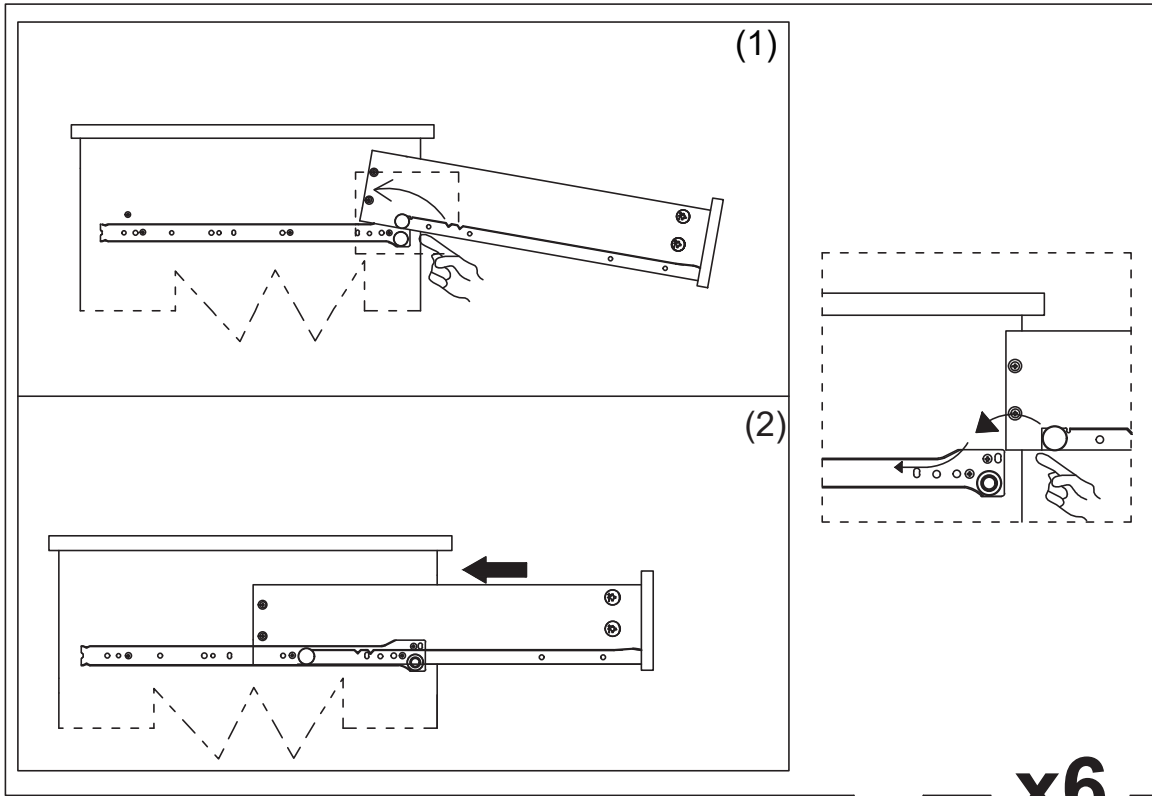


J-1

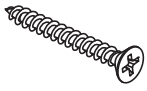
J-2

19

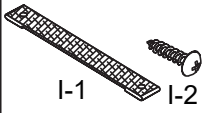




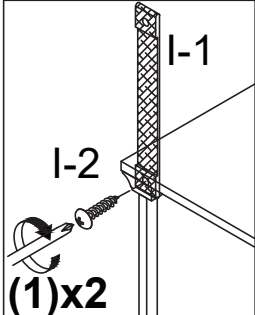
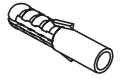
D x2



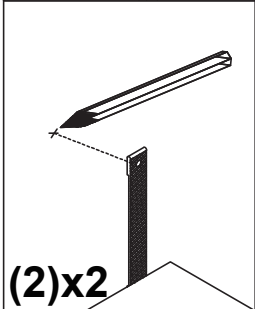
I x2



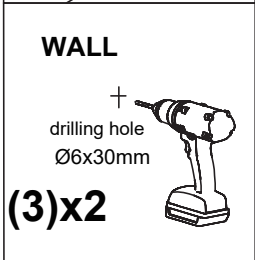
K x2



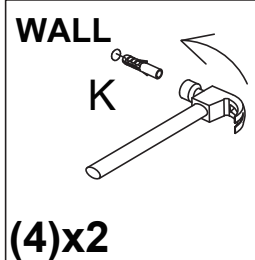
First fix the anti-rewind screw in the reserved hole of the product.



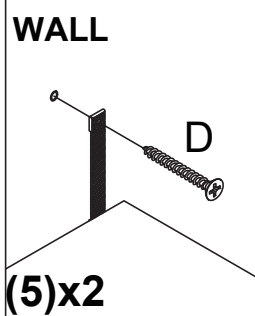
then, use a ruler to measure the approximate height of the product on the wall, and then mark it with a pen.



Then use a tape drill to make holes in the wall that are suitable for the product screws.



Then, put the expansion bolt into the hole



Finally, pass the matching screws through the "anti-rewind" and tighten them to fix them on the wall.

