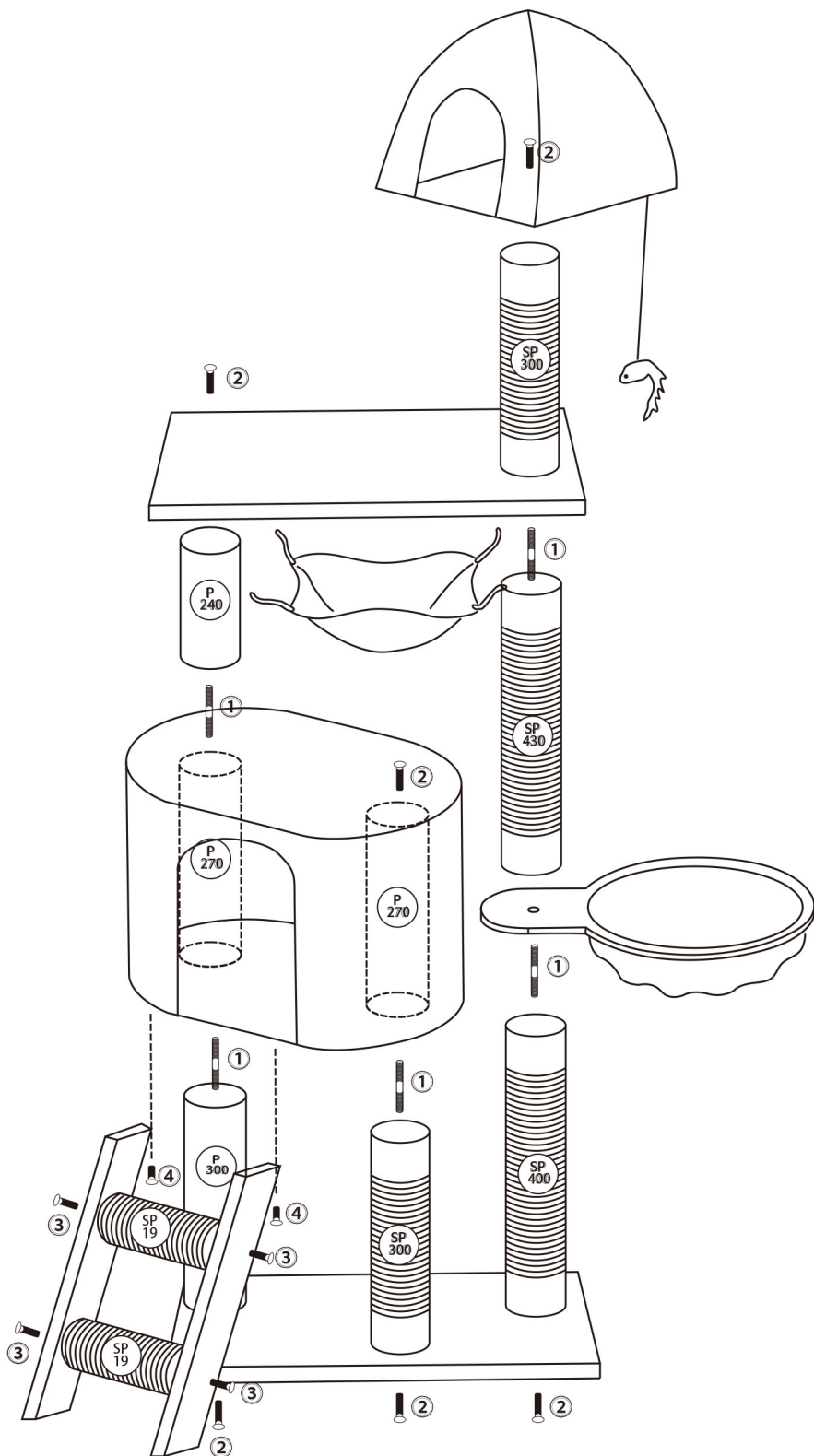


ASSEMBLY INSTRUCTION

①	M8x80mm	5PCS
②	M8x50mm	6PCS
③	M8x35mm	4PCS
④	M8x20mm	2PCS



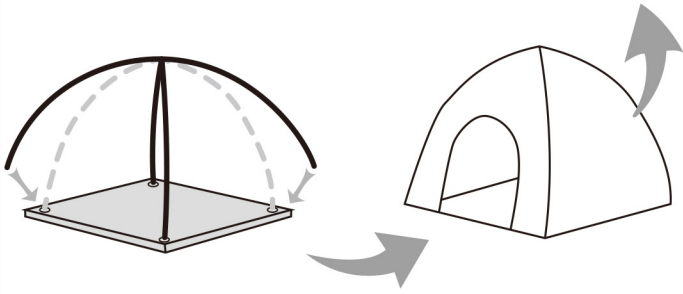
①	M8x80mm	5PCS
②	M8x50mm	6PCS
③	M8x35mm	4PCS
④	M8x20mm	2PCS

1



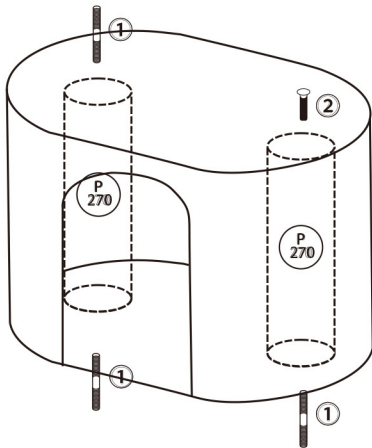
Attention

Tips: Be careful when installing a tent—proceed to the next step after making sure the plastic rod is inserted into the bottom of the hole completely. Please keep a safe distance.

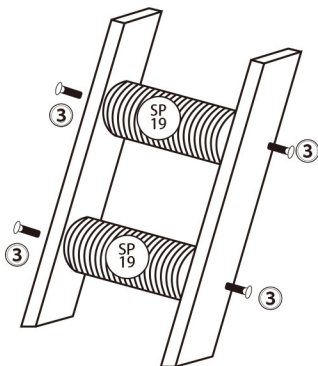


After the plastic pole is inserted into the bottom of the hole, cover it with a tent cloth.

2

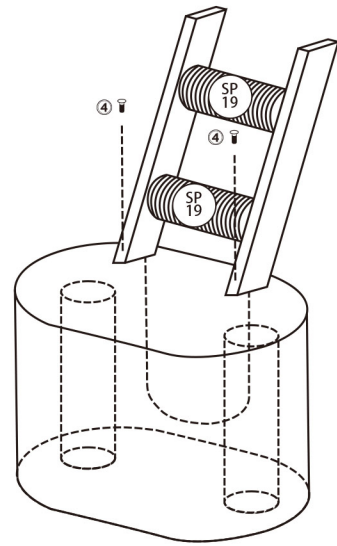


3



4

Turn over the house



5

