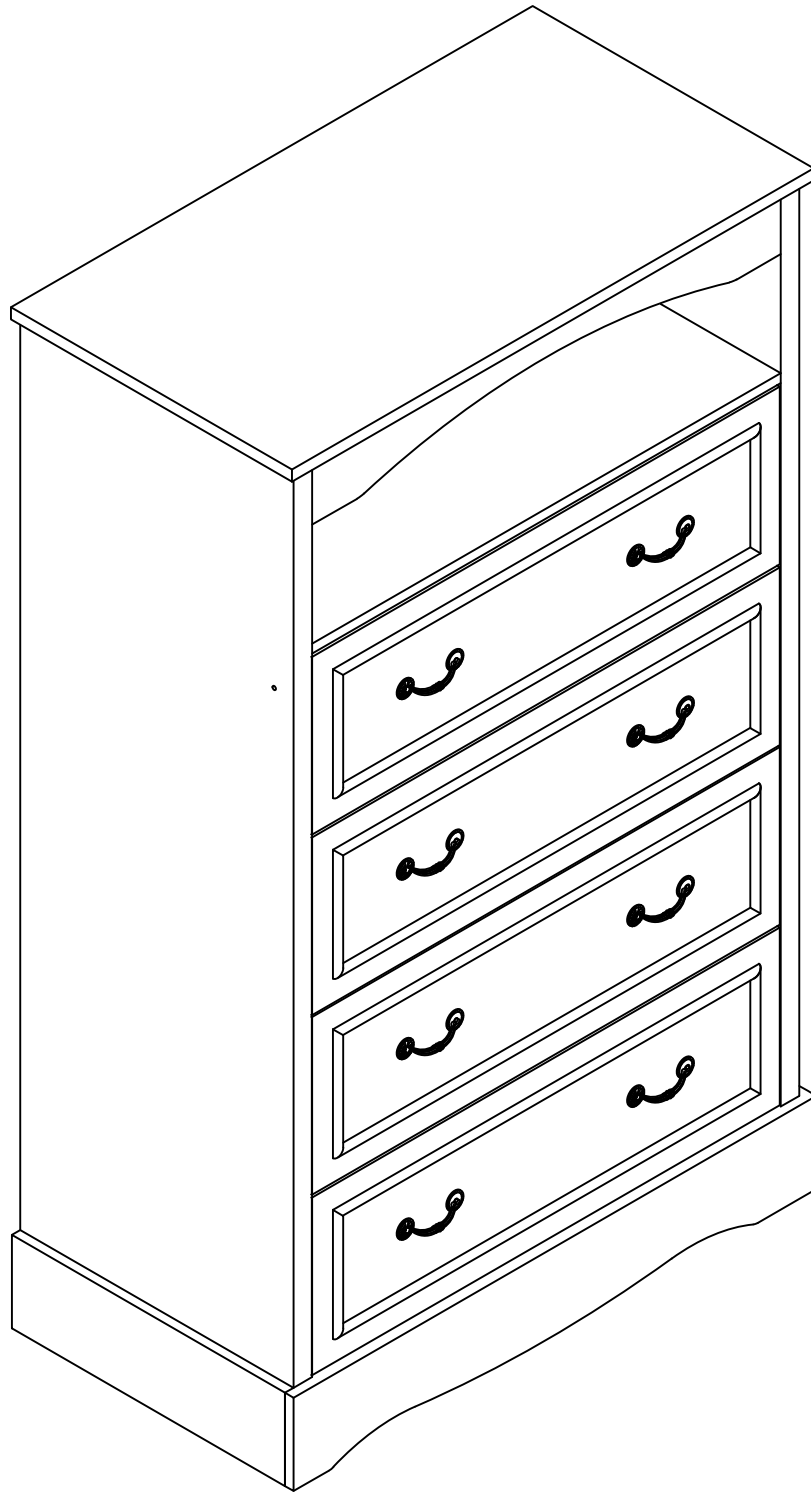
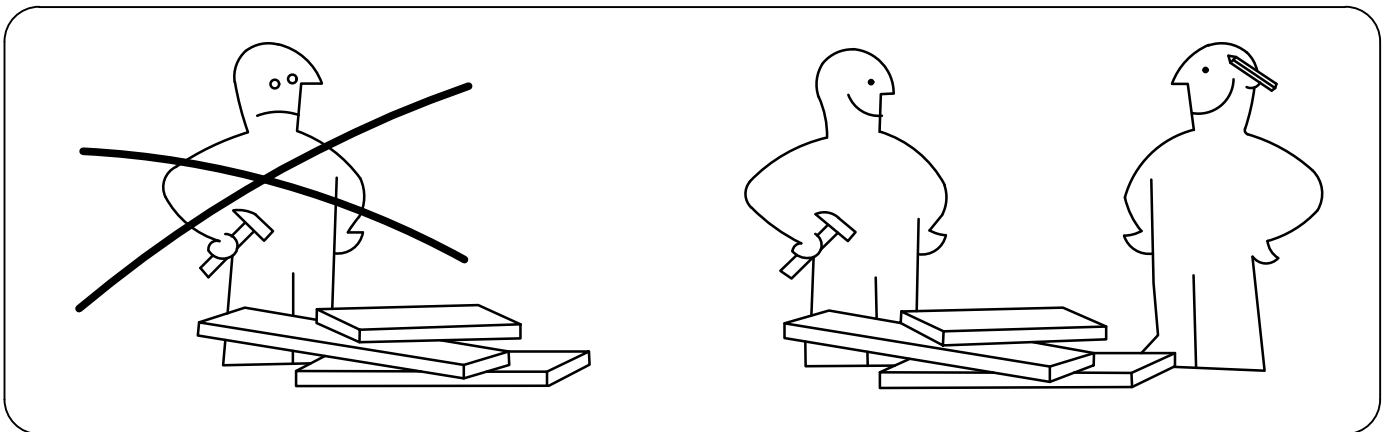
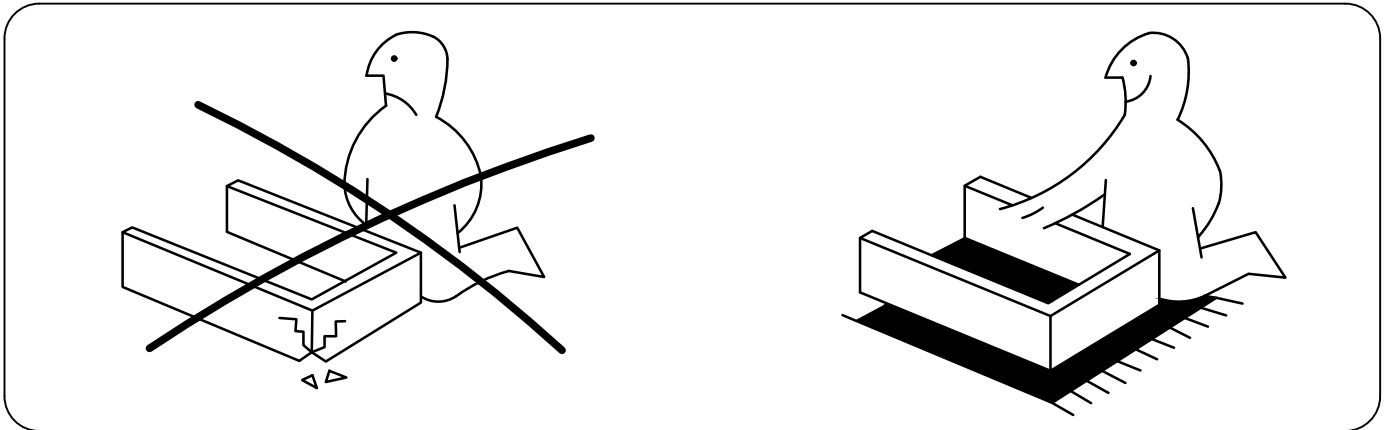


Drawer Dresser USER MANUALL



INTRODUCTION

Thank you for purchasing our products. Committed to providing customers with the best quality products and service has always been our lifelong goal. Before using the product, please read this instruction manual carefully to ensure correct use. Keep the instruction manual in a place where the user can find it at any time.



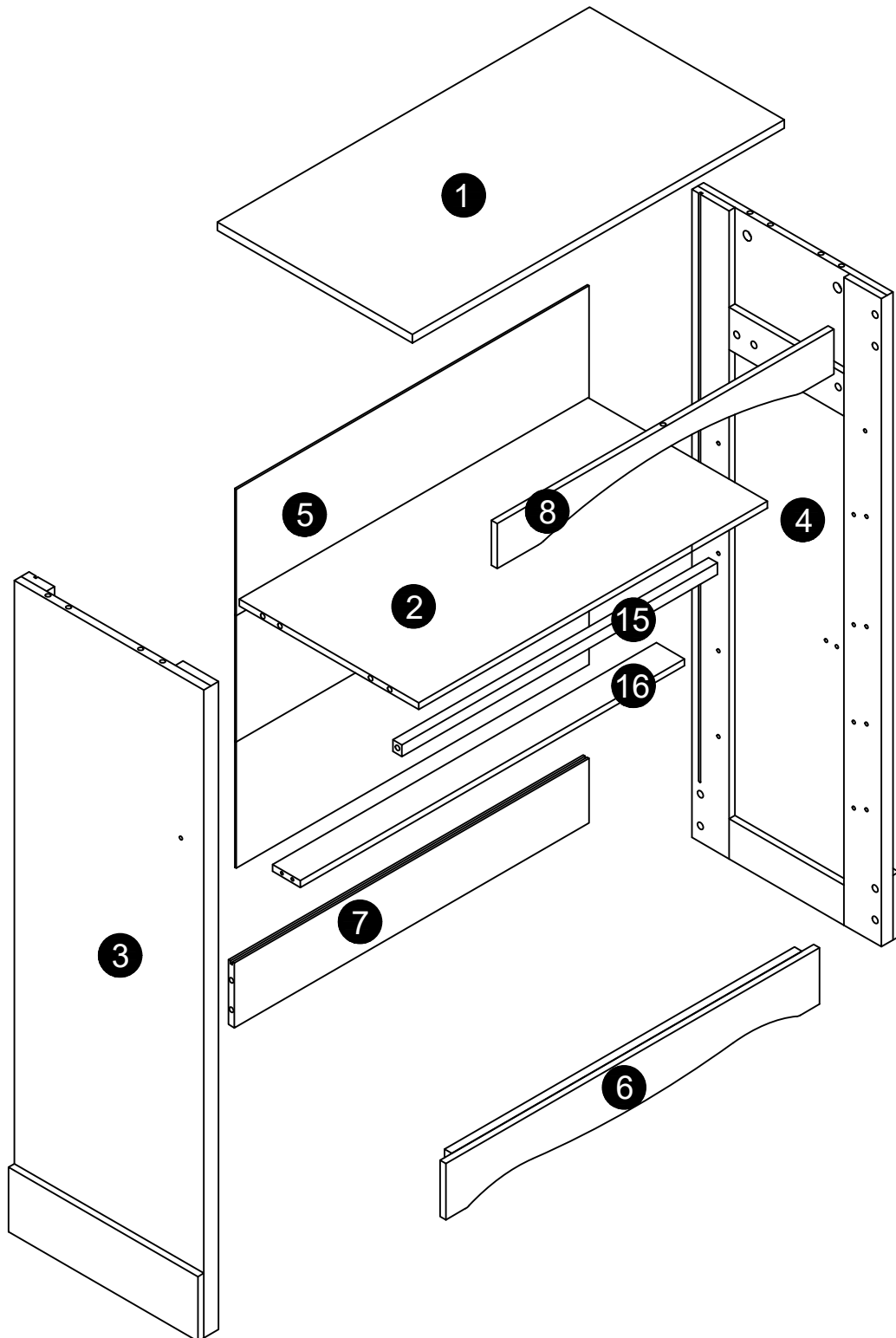
PRECAUTIONS

1. There are many components and accessories in the package. Each component and accessory is labeled with a letter or a number, check carefully before using any of them. Keep them away from children to prevent accidents.
2. Please install the product on a clean and soft underlay (such as carpet or cardboard) to avoid scratching or damaging the surface of the product.
3. The main components of the product is relatively heavy. Please pay attention to safety during installation.
4. The product is not stable during installation. Please do not move it randomly before it is completely installed.
5. If you have any questions during installation, please contact the customer service in time.

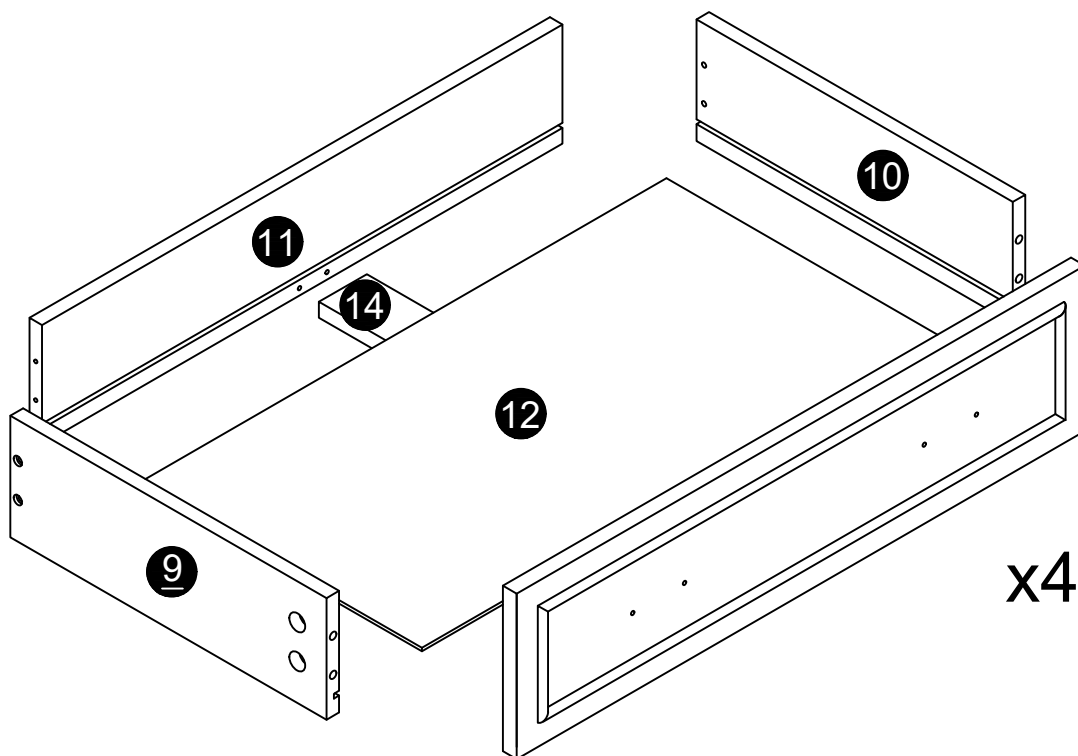
***PLEASE BE SURE TO FOLLOW THE INSTALLATION STEPS IN THE MANUAL TO AVOID UNNECESSARY LOSSES CAUSED BY IMPROPER INSTALLATION.**

***IF YOU NEED FURTHER ASSISTANCE, PLEASE CONTACT THE CUSTOMER SERVICE ONLINE.**

PANEL LAYOUT

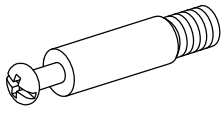
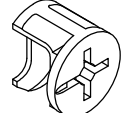
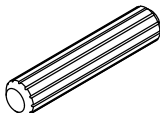
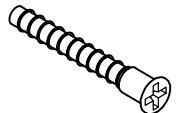
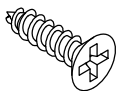

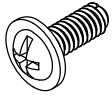
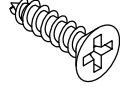
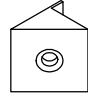
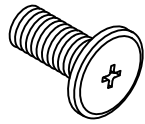
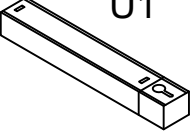
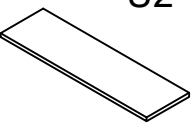
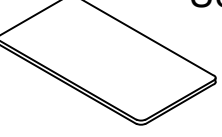




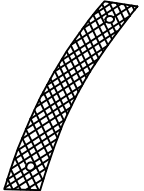
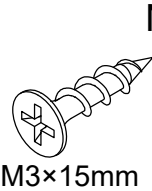
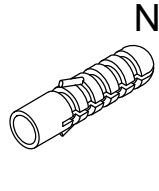
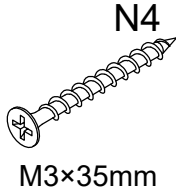


Due to the large number of boards, in order to facilitate the installation, please place the boards in order after opening the parcel and then start the installation.

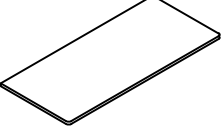
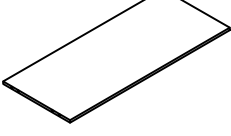

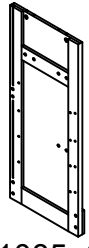
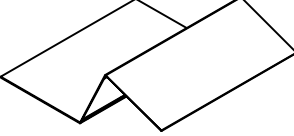
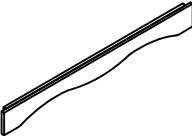
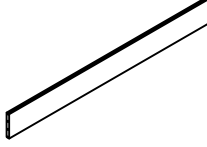
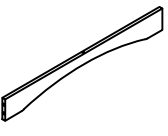
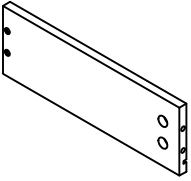
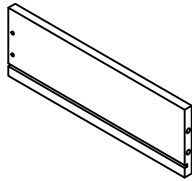
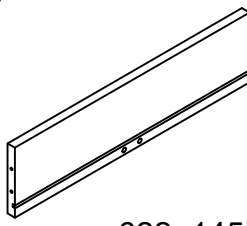
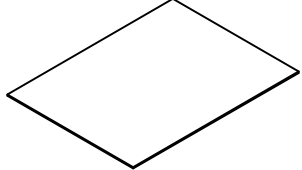
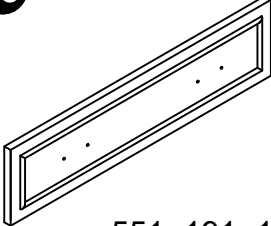
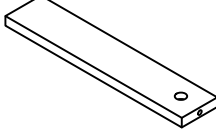
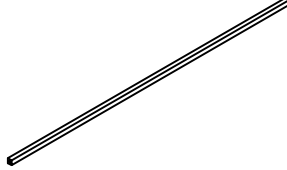
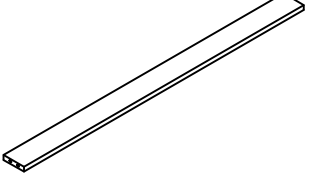


Due to the large number of boards, in order to facilitate the installation, please place the boards in order after opening the parcel and then start the installation.

HARDWARE LIST

<p>A</p>  <p>6×35mm 44(+2)PCS</p>	<p>B</p>  <p>44(+2)PCS</p>	<p>C</p>  <p>6×30mm 9PCS</p>	<p>D</p>  <p>M5×40mm 24(+1)PCS</p>	<p>H</p>  <p>M3×12mm 48(+2)PCS</p>
<p>L</p>  <p>96×35×14mm 8PCS</p>	<p>M</p>  <p>M4×18mm 16(+1)PCS</p>	<p>Q</p>  <p>M3×14mm 10PCS</p>	<p>R</p>  <p>15×14×10mm 10PCS</p>	<p>S</p>  <p>M6×40mm 2PCS</p>
<p>U</p> <div style="display: flex; justify-content: space-around;"> <div data-bbox="127 750 359 952"> <p>U1</p>  <p>205×25×20mm</p> </div> <div data-bbox="430 750 630 974"> <p>U2</p>  <p>1PC</p> </div> <div data-bbox="670 750 901 907"> <p>U3</p>  </div> </div>				
<p>O</p> <div style="display: flex; justify-content: space-around;"> <div data-bbox="175 1075 391 1153">  <p>DL L350</p> <p>4PCS</p> </div> <div data-bbox="534 1075 750 1153">  <p>DR L350</p> <p>4PCS</p> </div> <div data-bbox="869 1075 1085 1153">  <p>CL L350</p> <p>4PCS</p> </div> <div data-bbox="1220 1075 1436 1153">  <p>CR L350</p> <p>4PCS</p> </div> </div>				
<p>N</p> <div style="display: flex; justify-content: space-around;"> <div data-bbox="175 1299 319 1489">  <p>N1</p> </div> <div data-bbox="438 1299 590 1489">  <p>N2</p> <p>M3×15mm</p> </div> <div data-bbox="710 1299 869 1489">  <p>N3</p> </div> <div data-bbox="981 1299 1157 1489">  <p>N4</p> <p>M3×35mm</p> </div> </div> <p style="text-align: center;">2PCS</p>				

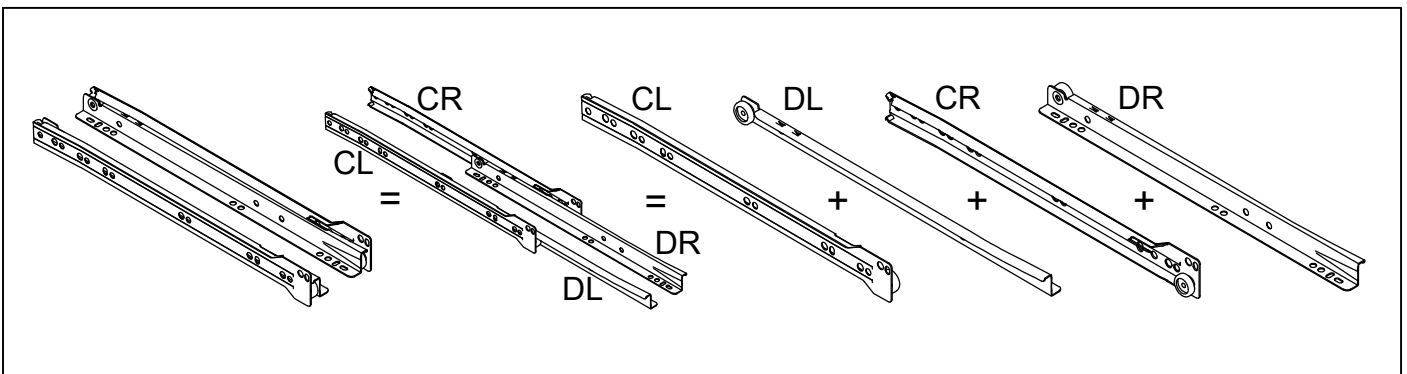
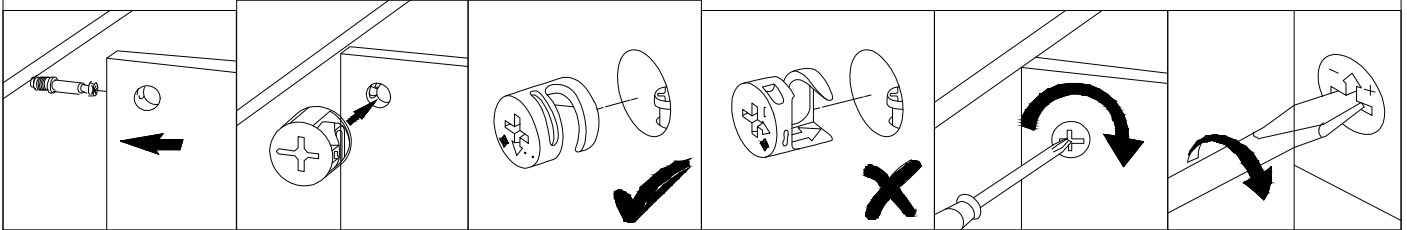
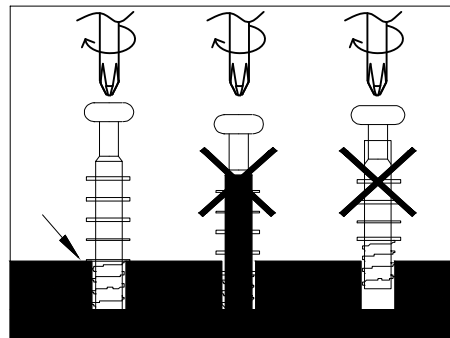
PANEL LIST

<p>1</p>  <p>600×400×12 x1PC</p>	<p>2</p>  <p>556×370×12 x1PC</p>	<p>3</p>  <p>1085×389×24 x1PC</p>	<p>4</p>  <p>1085×389×24 x1PC</p>
<p>5</p>  <p>564×331×3 x3PCS</p>	<p>6</p>  <p>604×100×27 x1PC</p>	<p>7</p>  <p>556×100×12 x1PC</p>	<p>8</p>  <p>556×80×12 x1PC</p>
<p>9</p>  <p>350×147×12 x4PCS</p>	<p>10</p>  <p>350×147×12 x4PCS</p>	<p>11</p>  <p>622×145×12 x4PCS</p>	<p>12</p>  <p>514×345×3 x4PCS</p>
<p>13</p>  <p>551×191×19 x4PCS</p>	<p>14</p>  <p>x4PCS</p>	<p>15</p>  <p>x1PC</p>	<p>16</p> 

TIPS




1. When installing the product, use a soft surface (such as carpet or cardboard) to avoid scratching or damaging the surface of the product.
2. Please try to use a manual screwdriver instead of electric screw driver. A manual screwdriver can be used to better control the tightness of the screws.
3. Do not use any glue.
4. The product is unstable before it is assembled. Please pay attention to the product installation sequence, and align all screws and screw holes before tightening.
5. The structure of this product can not meet the requirements of children climbing.

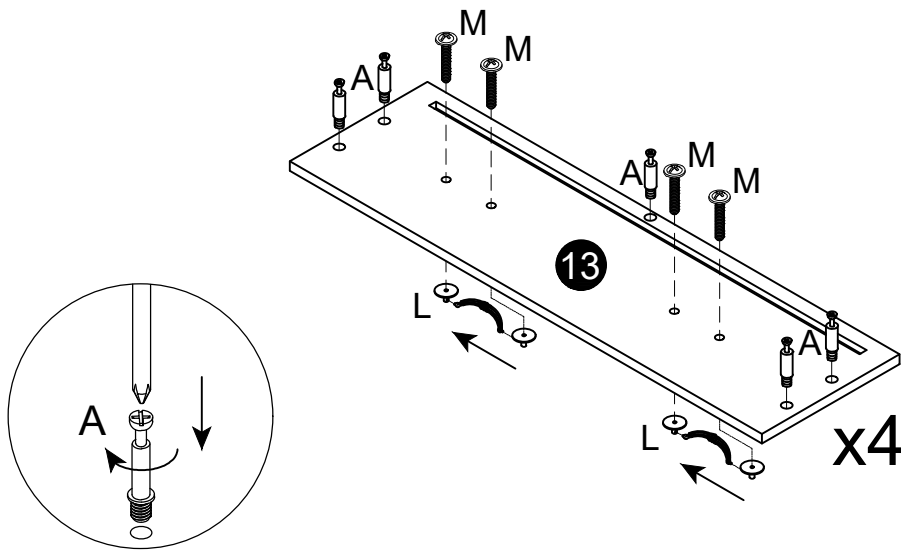
Installation method of three in one rod and buckle



01

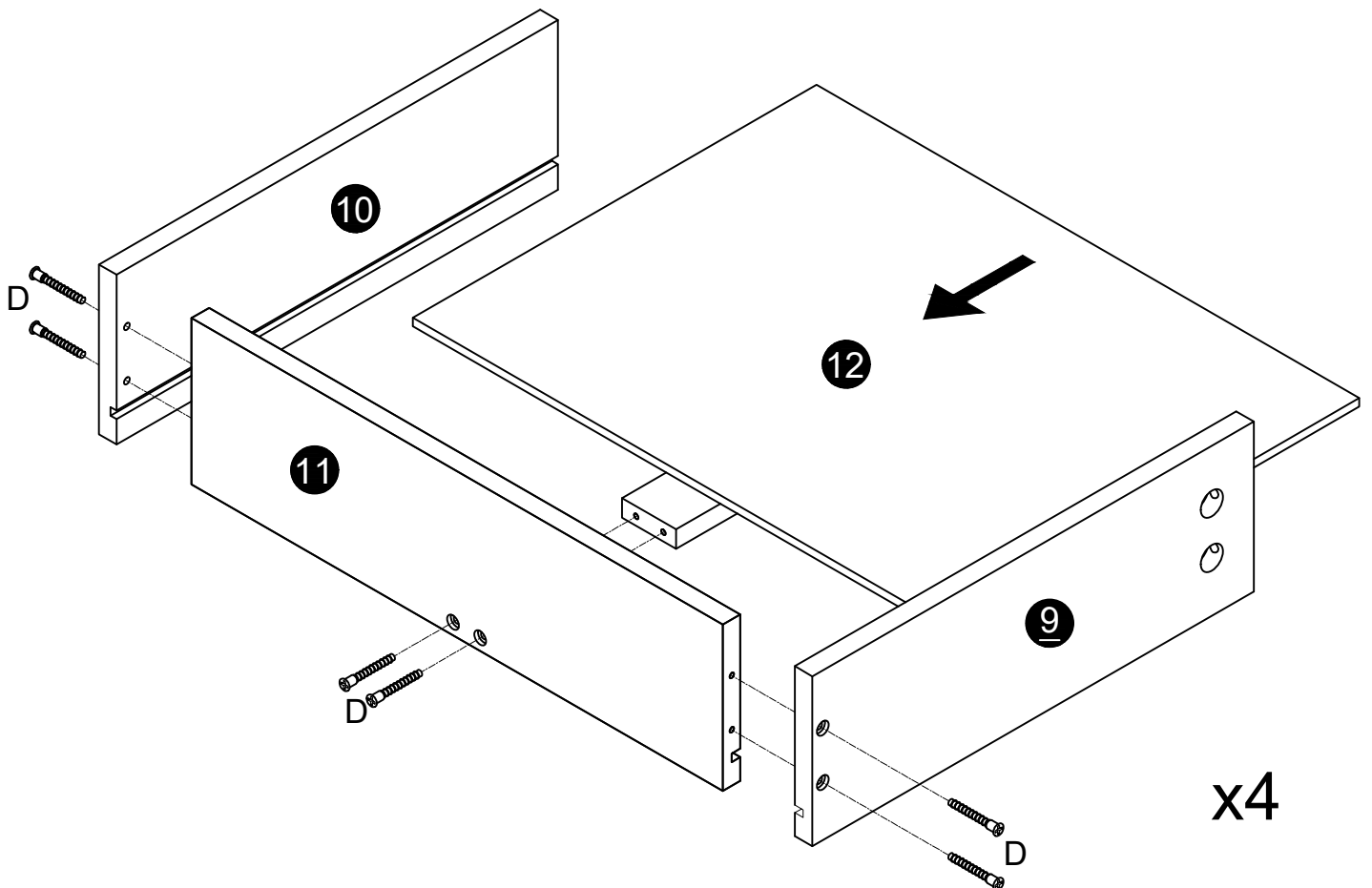
INSTALLATION STEPS

- Ax20 
- Mx16 
- Lx8 



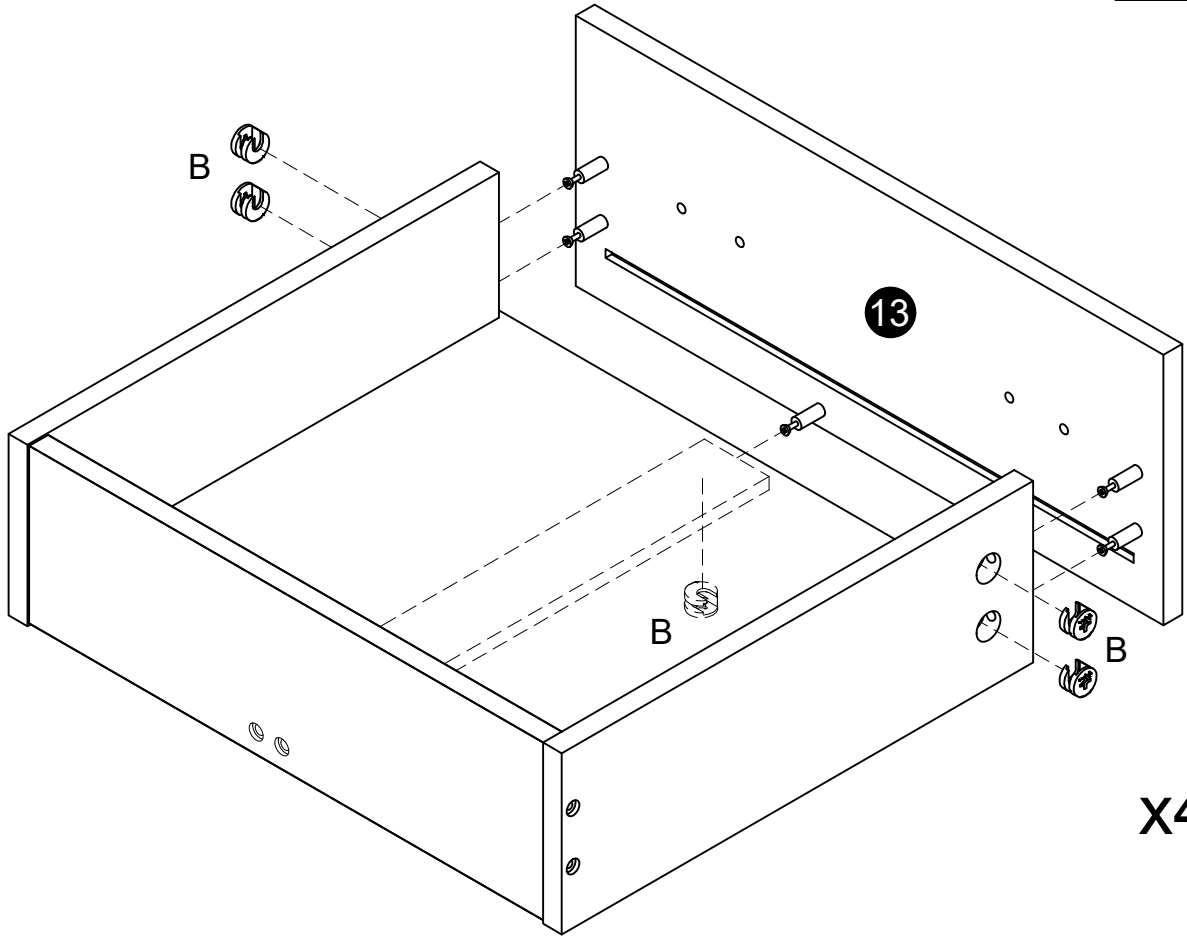
02

- Dx24 



03

Bx20



04

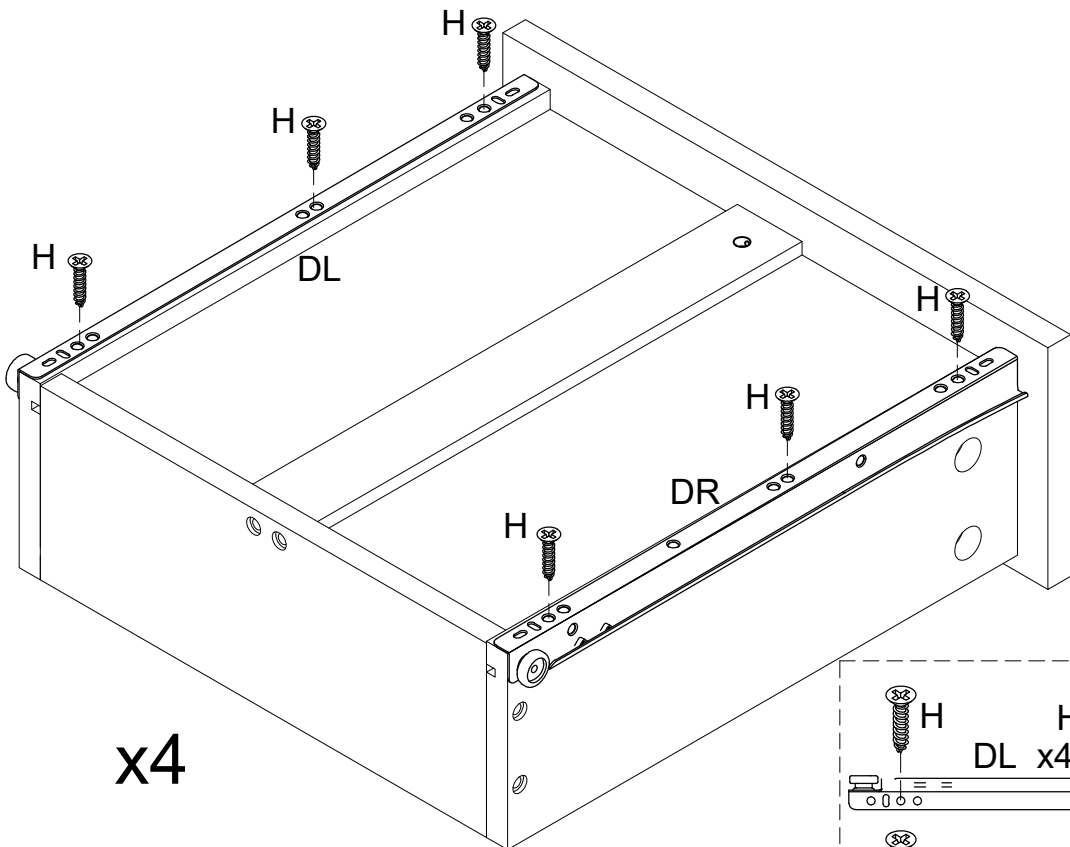
O DRx4



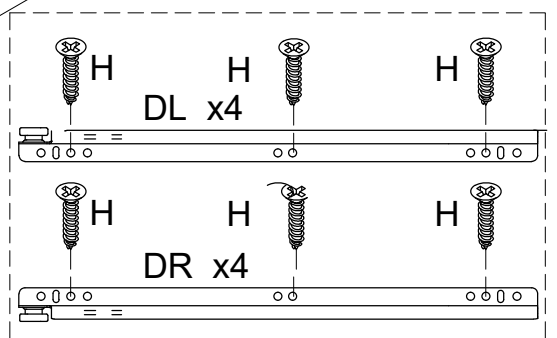
O DLx4



Hx24

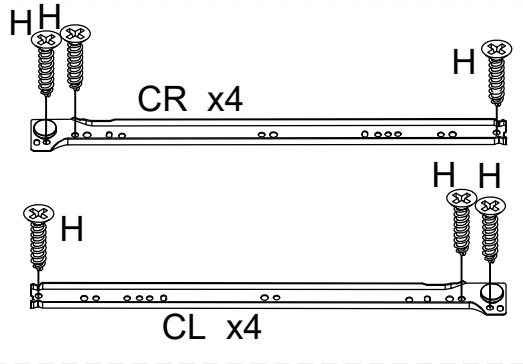
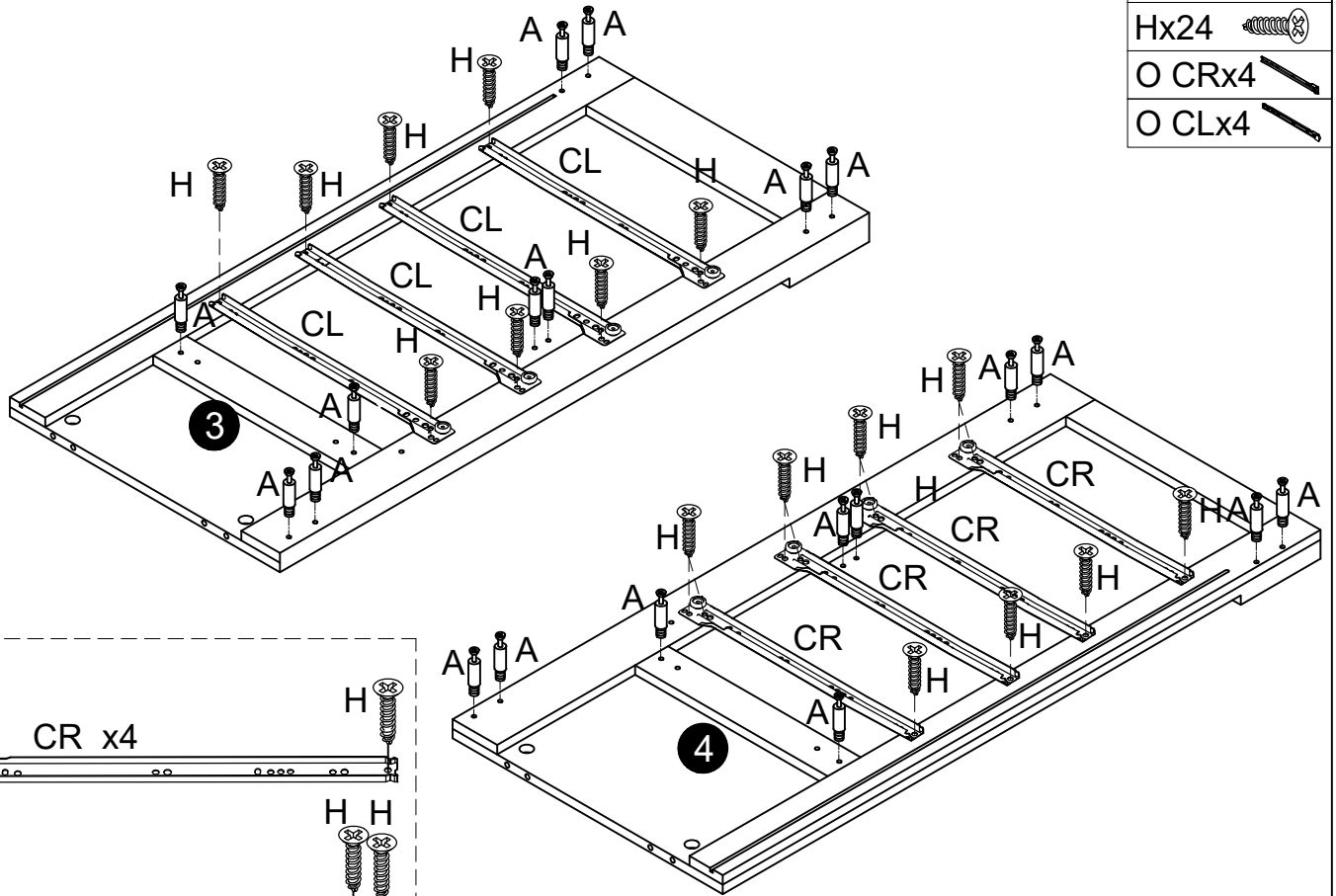


x4





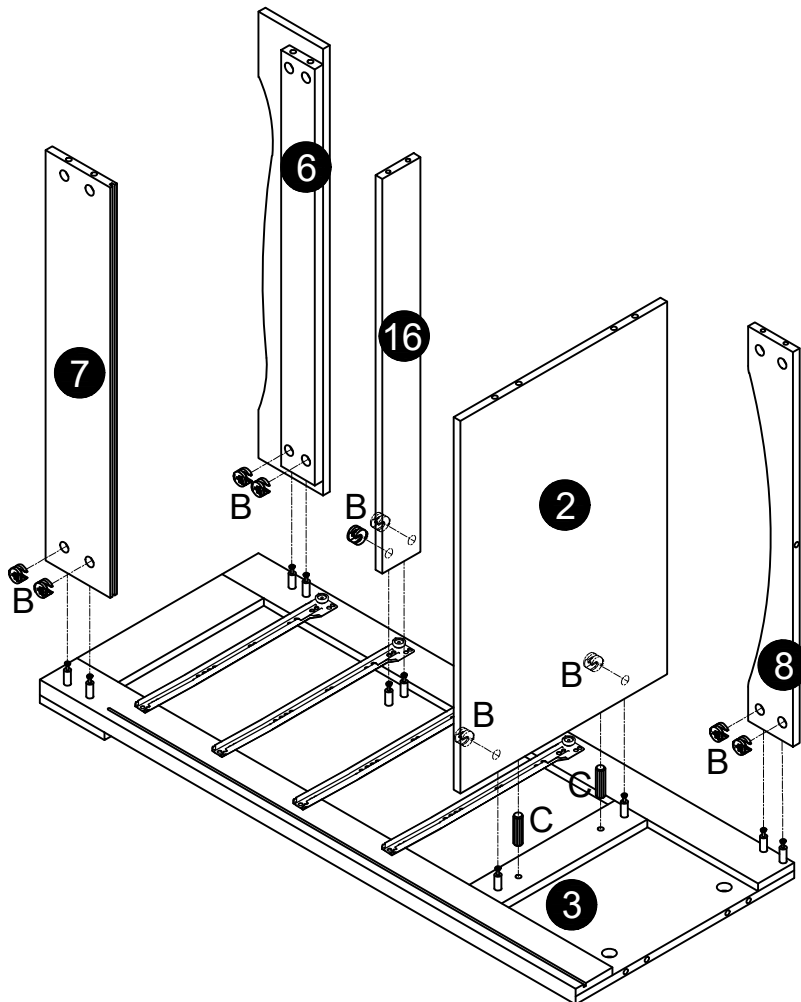
05

- Ax20 
- Hx24 
- O CRx4 
- O CLx4 





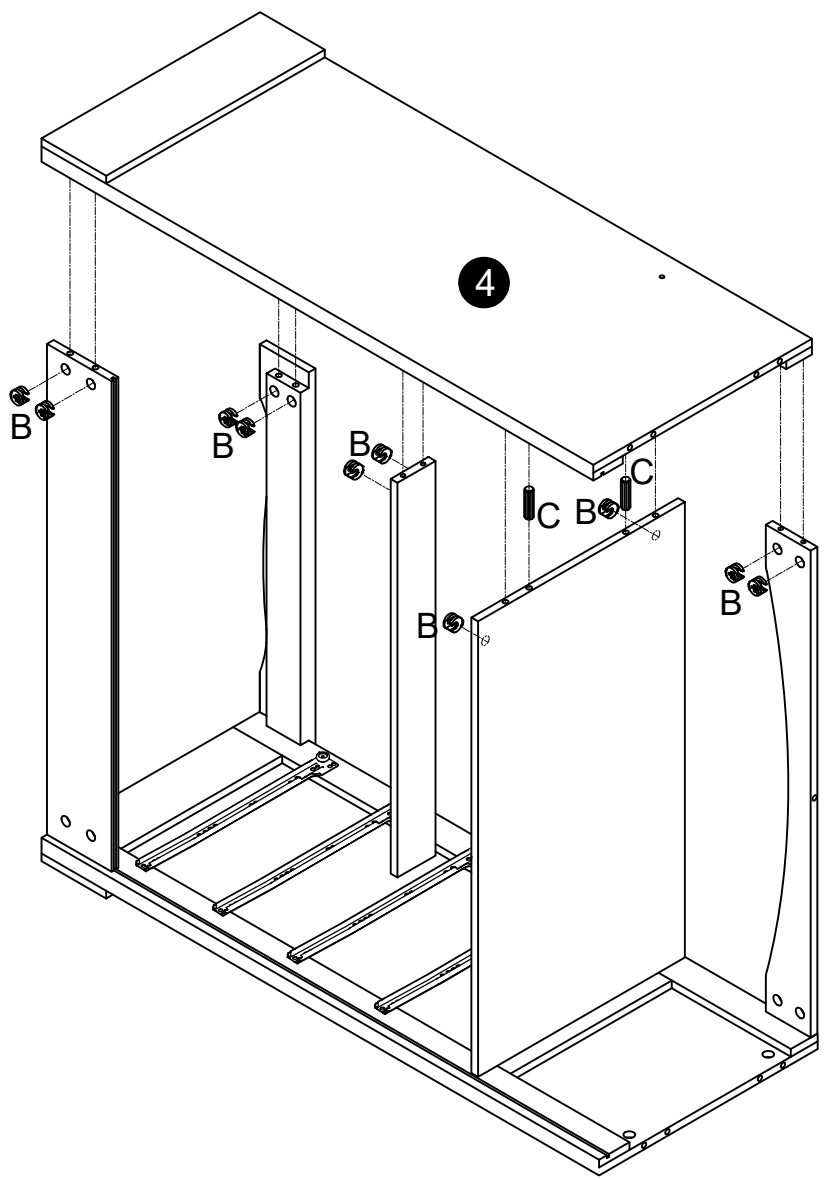
06

- Bx10 
- Cx2 

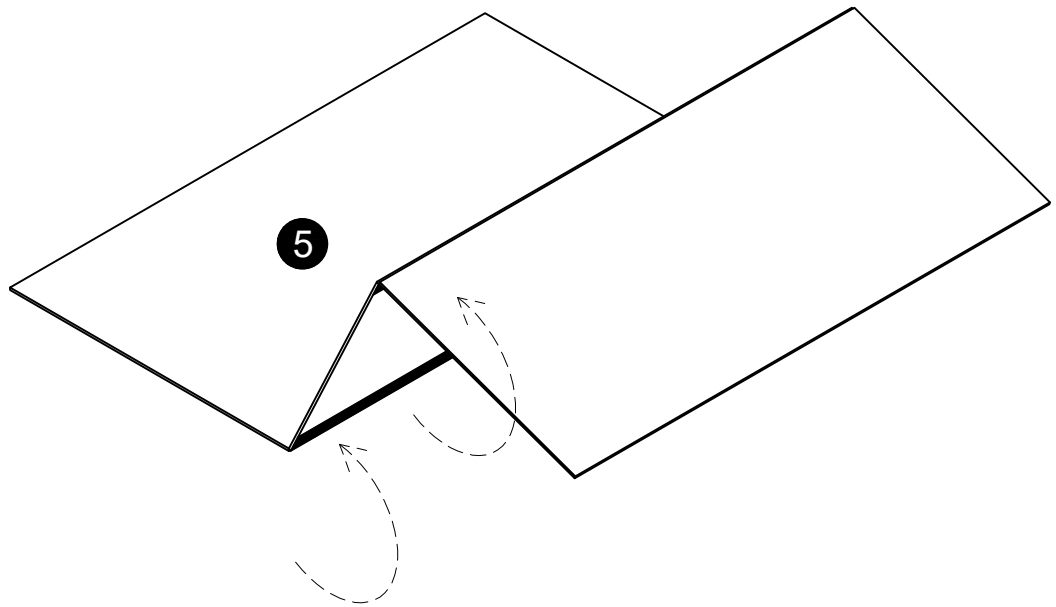


07

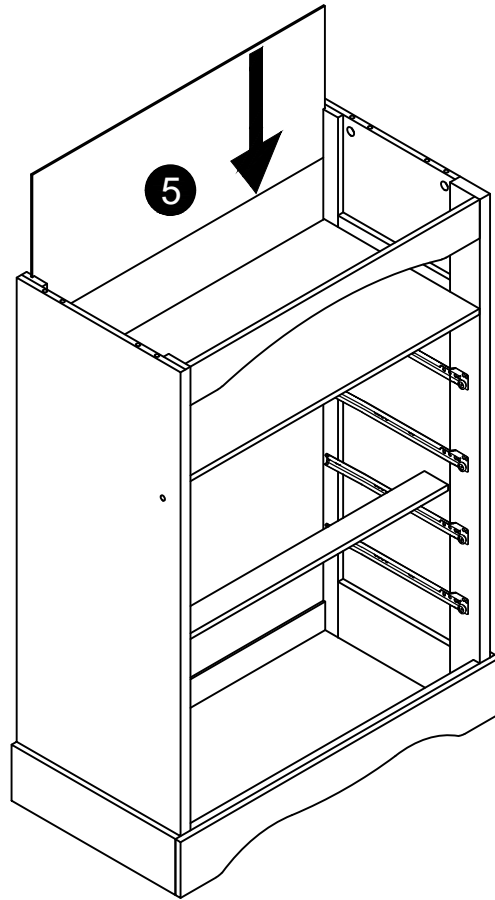
Bx10 
Cx2 



08

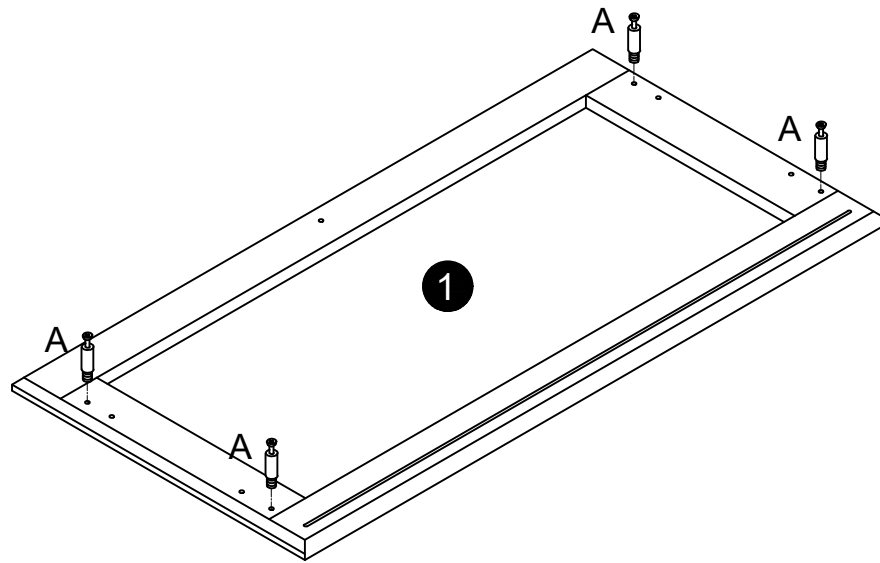


09





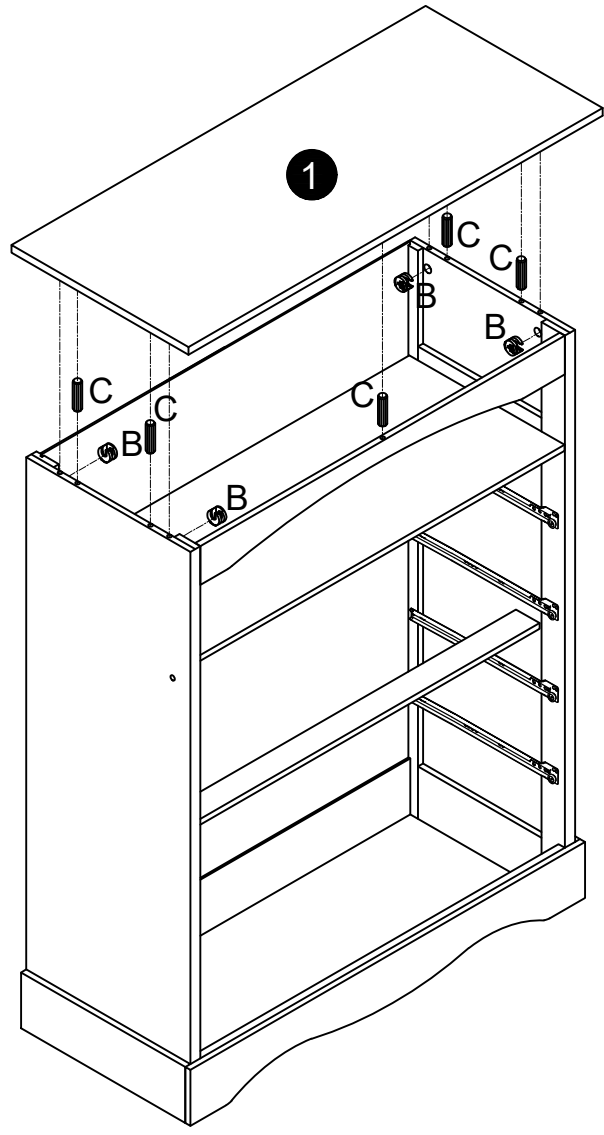
10

Ax4 



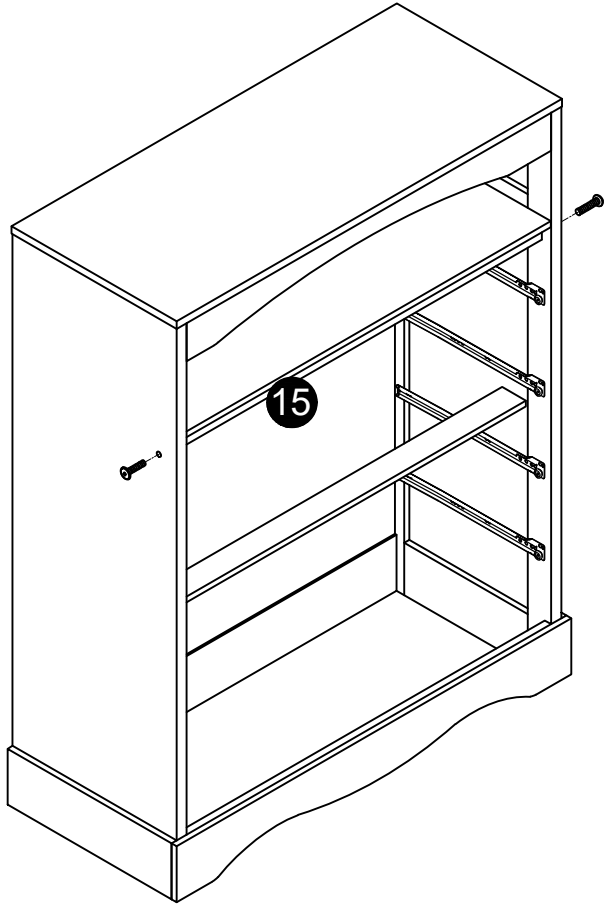
11

Bx4 
Cx5 




12

Sx2 

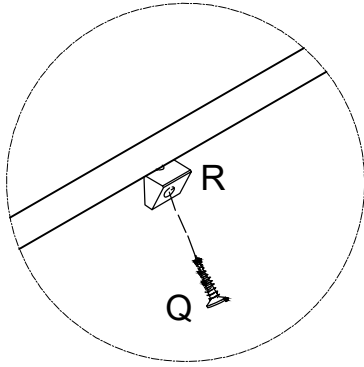


Qx10 

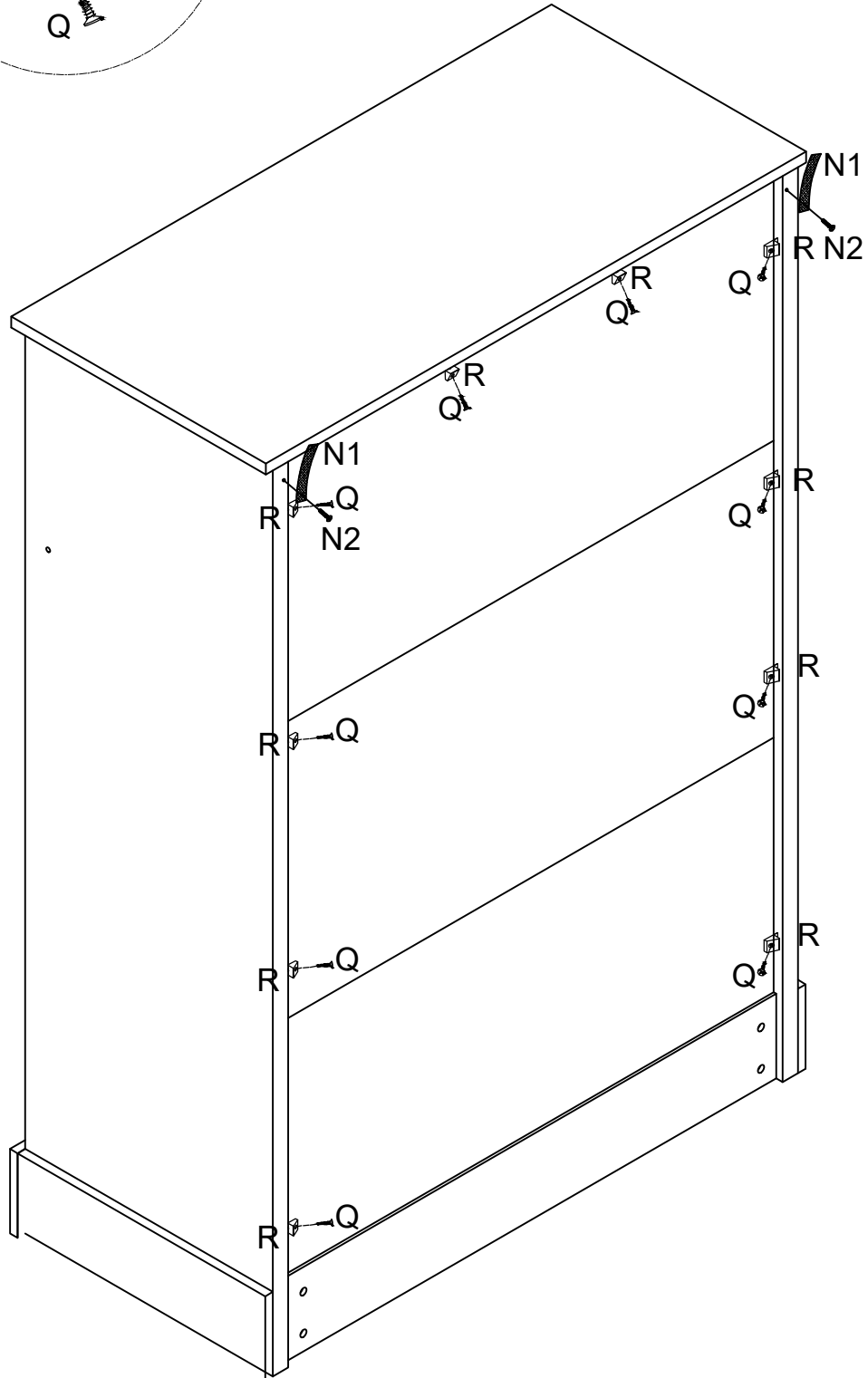
Rx10 

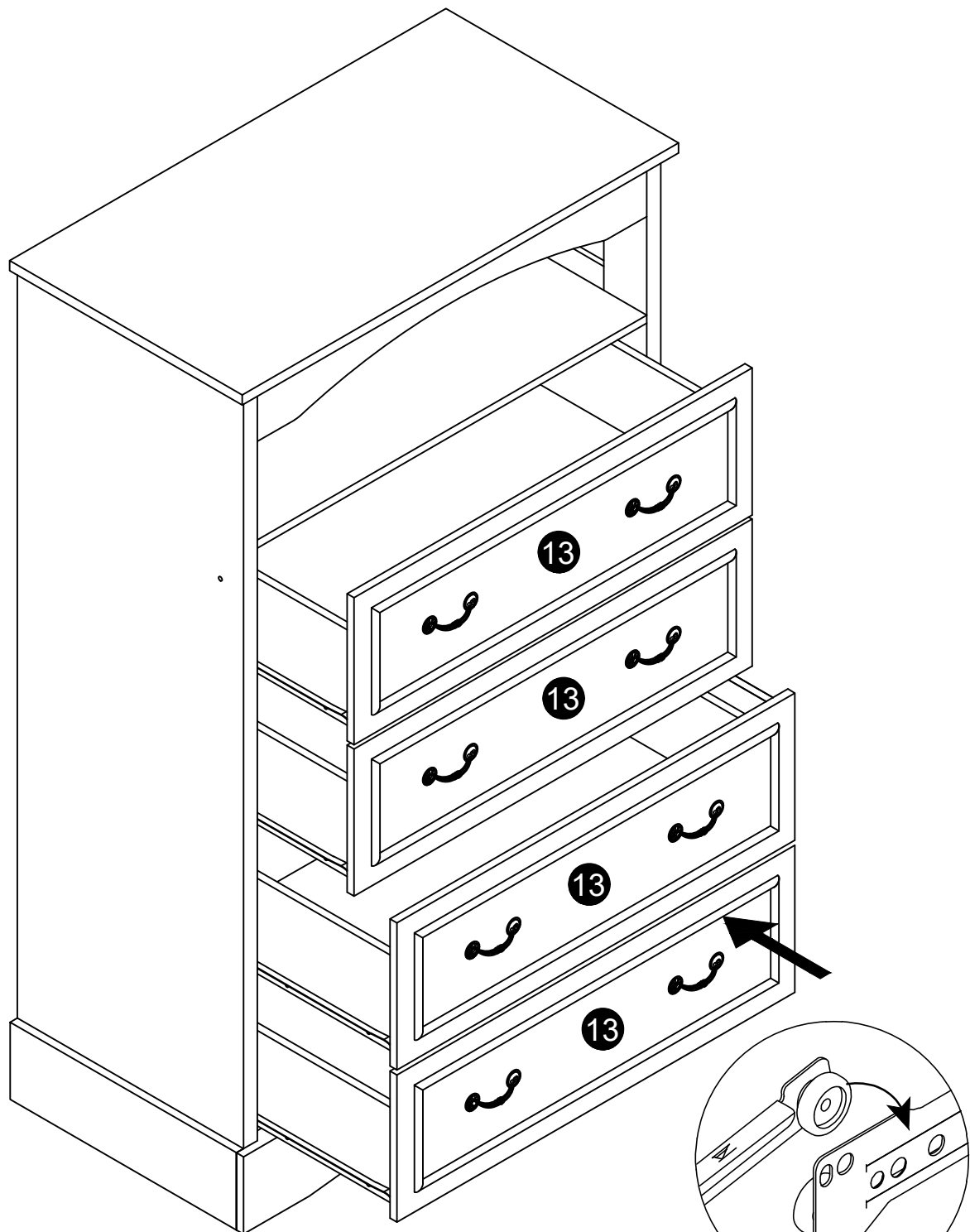
N1x2 

N2x2 



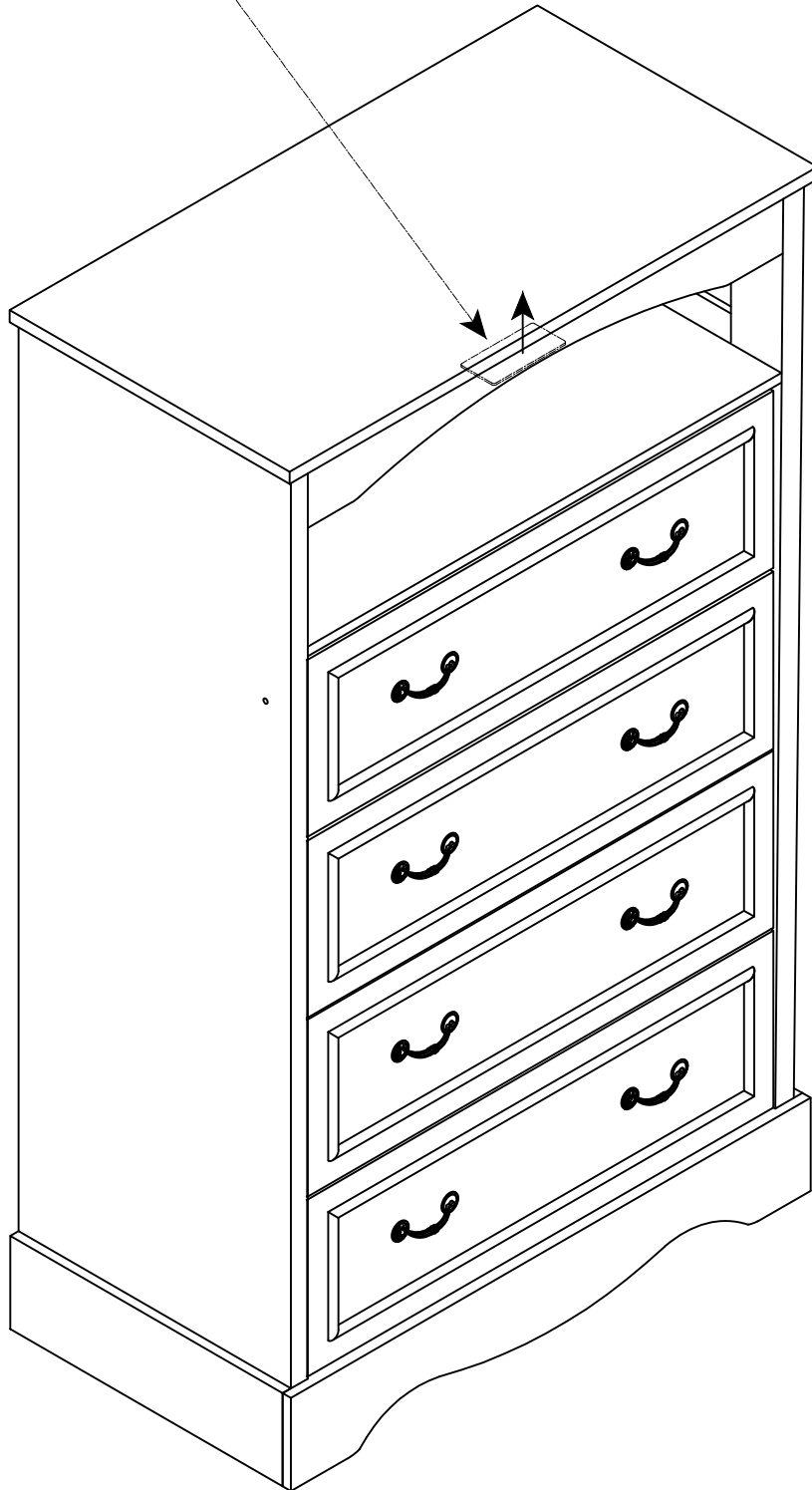
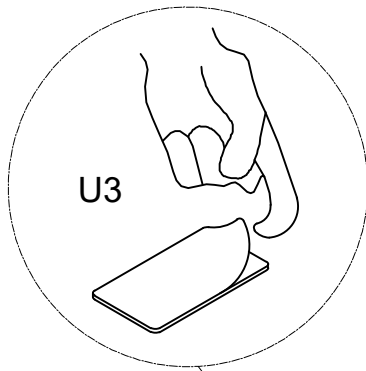
Install backboard nails can effectively enhance the stability of hte product and extend the life span of the product.


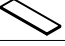


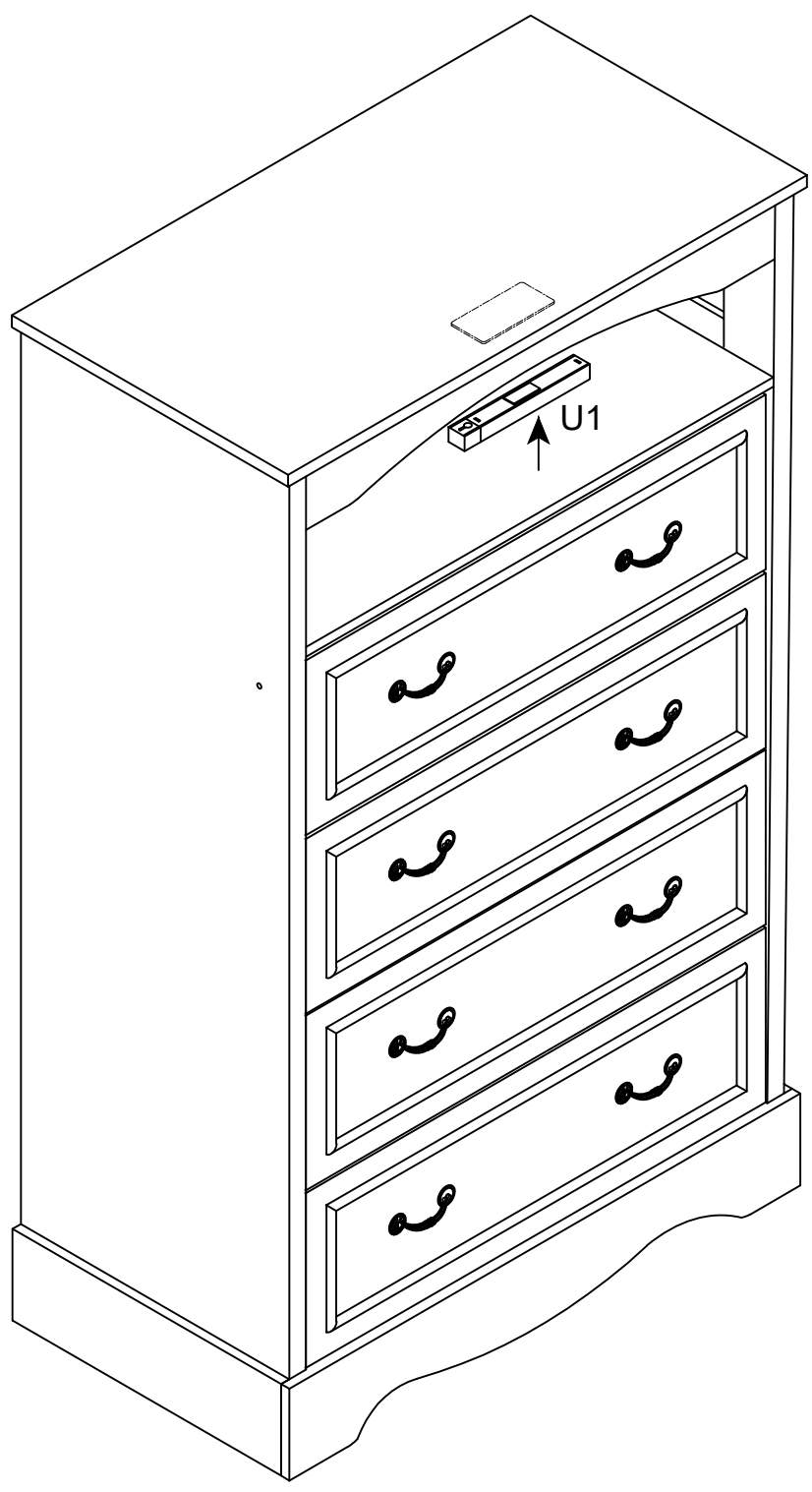
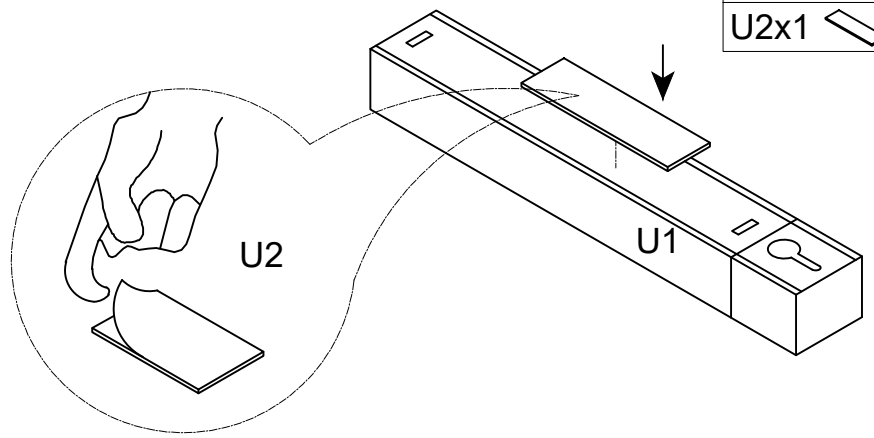


Attention: Align the slide runners on the drawer with the unit and push it carefully inside until it stops.

★ If the drawer does not go in smoothly please take it out and repeat the step.

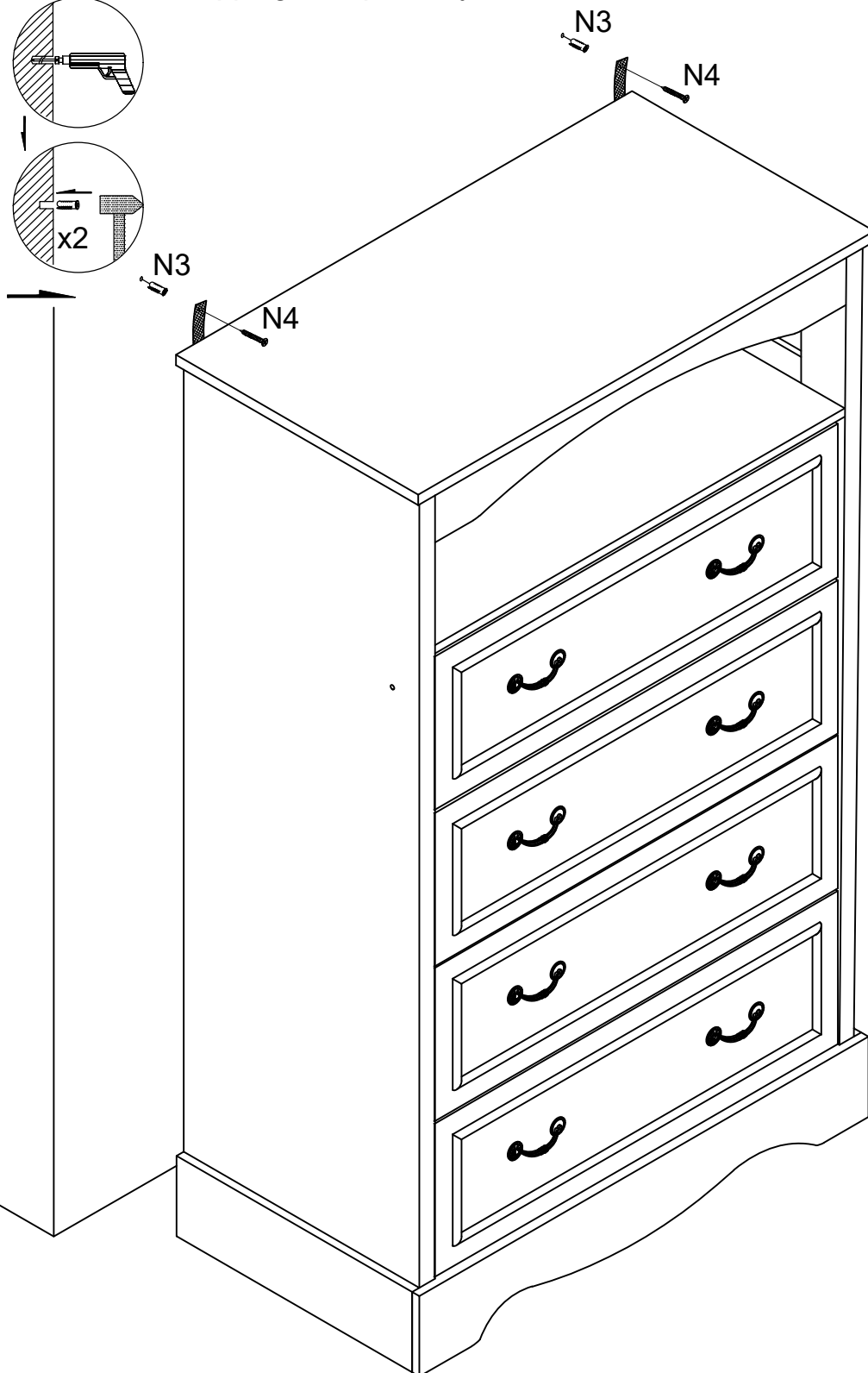
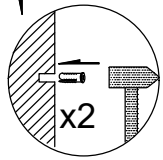
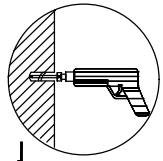


- U1x1 
- U2x1 



MANDATORY!

For safety reasons, we recommend you follow these instructions to install the anti-tipping hardware, when installed properly, this hardware may prevent the unit from tipping unexpectedly.



-WARNING- Serious injury can occur if furniture tips over. Place heavy items on lower shelves and as far back as possible.

Follow our media account to get Discounts and More New Arrivals!