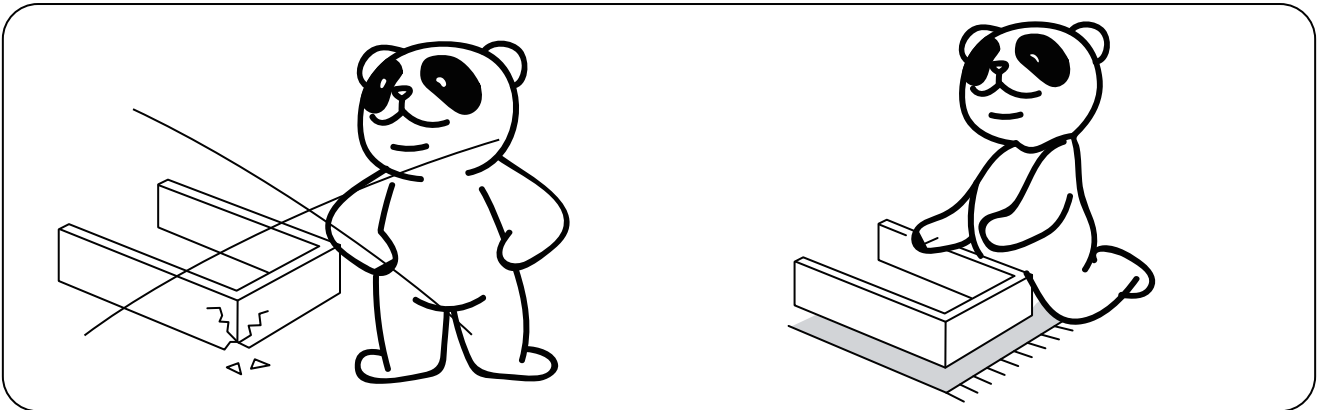
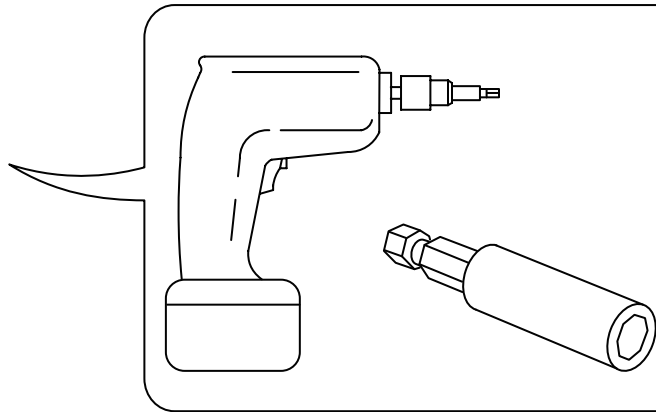
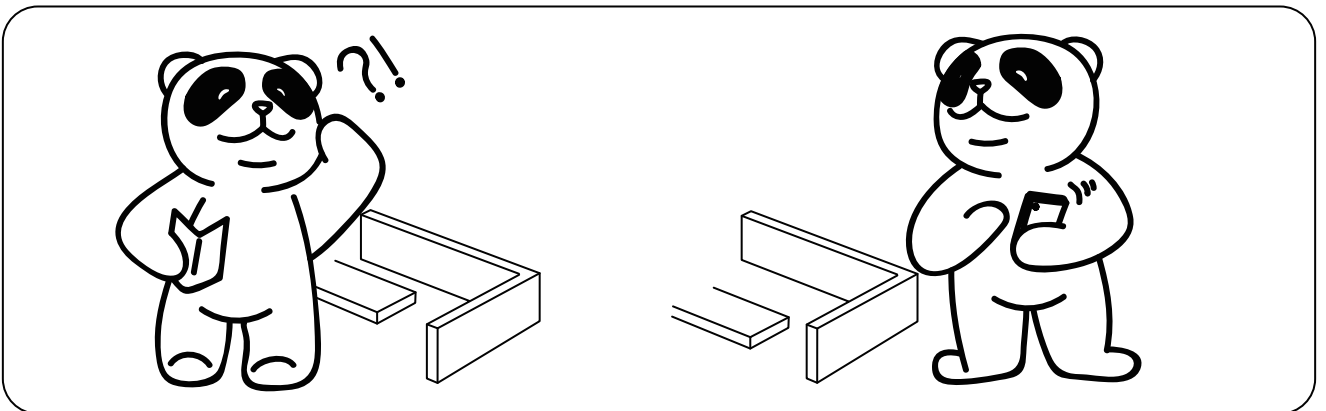


AJ-DJ505301
012-T

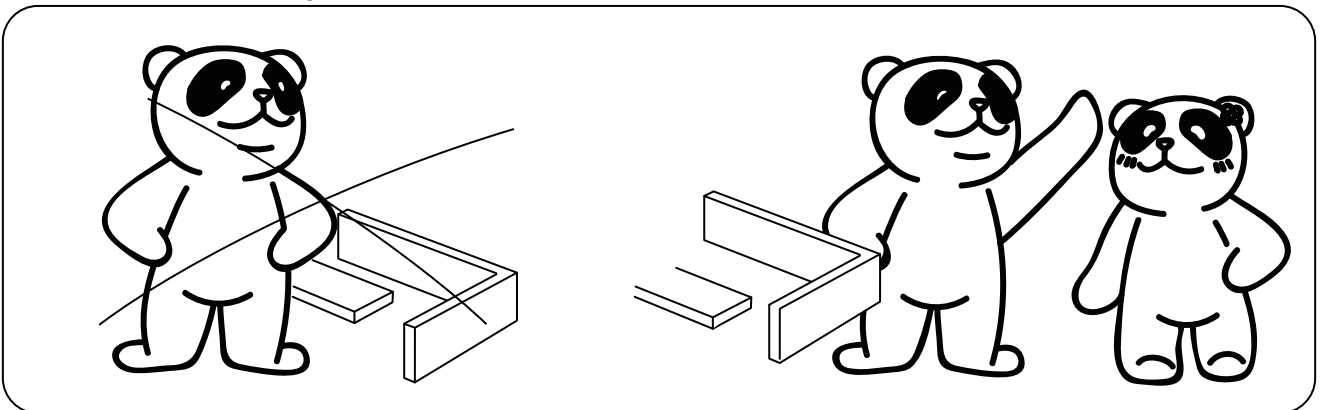
Version: 1.0



Violent installation is prohibited



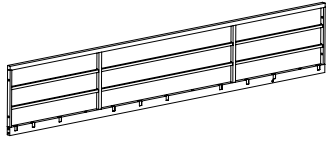
Please call if you need help



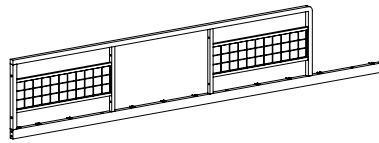
Multi-person cooperation is recommended

Assembly Instruction

Part List (A)



1 x1



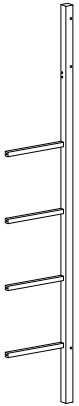
2 x1



6 x1



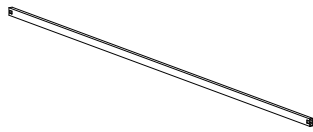
7 x1



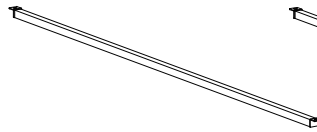
8 x1



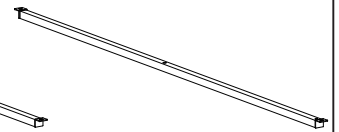
9 x1



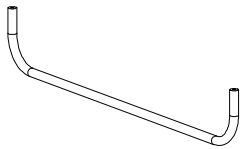
10 x10



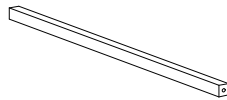
11 x2



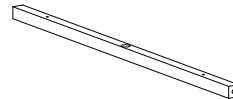
12 x1



13 x1



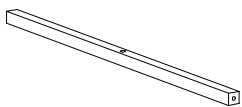
18 x1



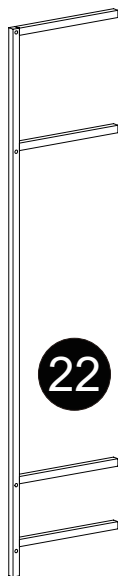
19 x2



20 x2



21 x2



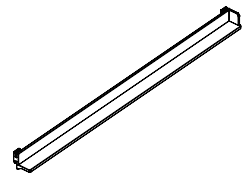
22 x1



23 x1



24 x1



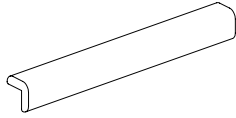
25 x11

Assembly Instruction

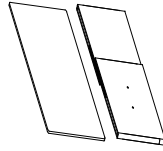
Part List (A)



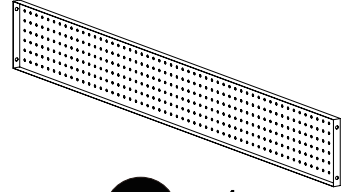
28 x1



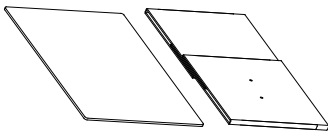
30 x4



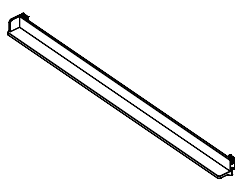
31 x3



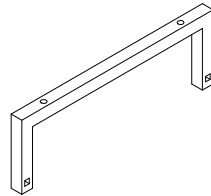
35 x1



40 x8



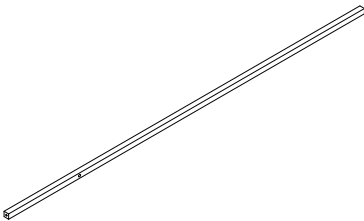
41 x11



42 x2



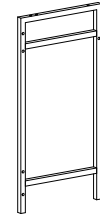
43 x1



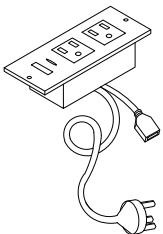
44 x1



47 x2



50 x1



51 x1



Short light strip

A2 x2

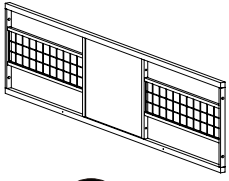


Long light strip

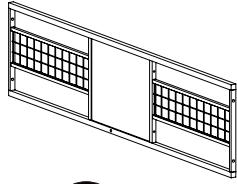
B2 x1

Assembly Instruction

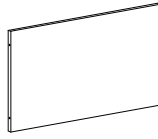
Part List (B)



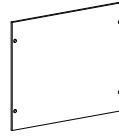
3 x1



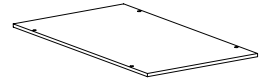
4 x1



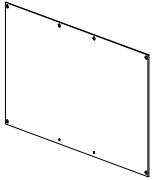
5 x1



14 x2



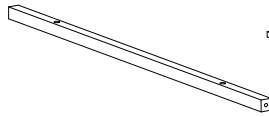
15 x1



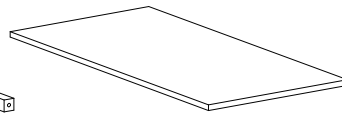
16 x1



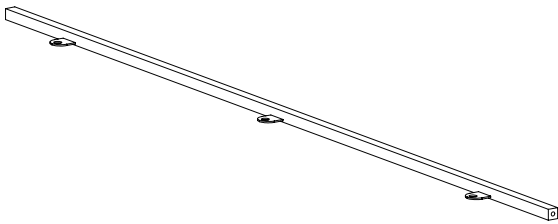
17 x2



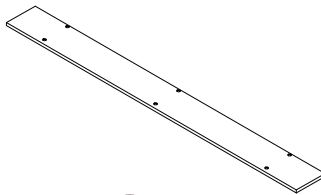
26 x2



27 x1



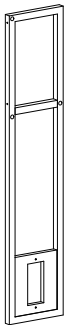
32 x1



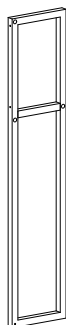
33 x1



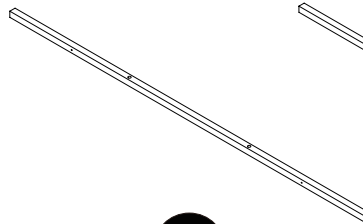
34 x1



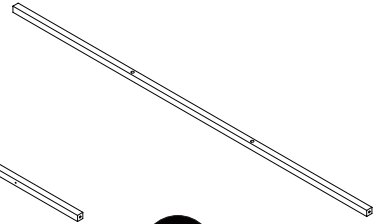
36 x1



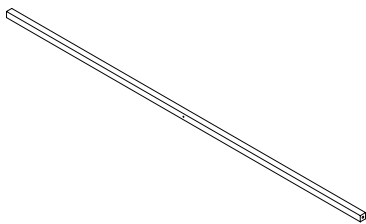
37 x1



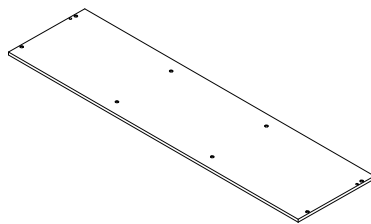
38 x1



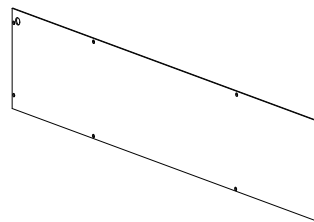
39 x1



45 x1



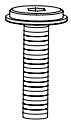
46 x1



48 x1

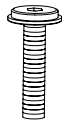
Assembly Instruction

Hardware List (A)



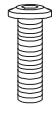
A

M8*55
X8+1



B

M6*55
X10+1



C

M6*40
X41+2



D

M6*32
X8+1



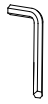
E

M6*20
X24+2



F

M6*40
X11+1



G

M3
X1



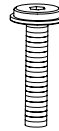
H

M4
X2



I

M6*12
X17+2



J

M6*50
X2+1



K

M4*10
X22+2



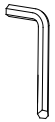
L

M6*28
X20+2



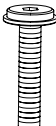
M

M5*40
X6+1



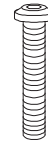
N

M5
X1



O

M6*48
X2+1



P

M6*65
X2+1



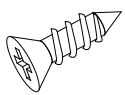
Q

M6*18
X17+2



R

M6*10
X11+1



S

M3*12
X2+1



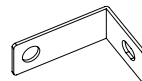
T

X3



W

X11



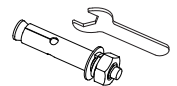
X

X2



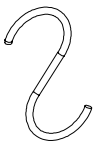
Y

X1



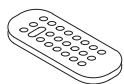
Z

X2



A1

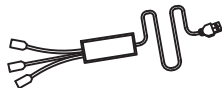
X3



Remote control

A3

X1



Power cord

A4

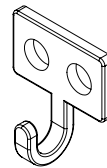
X1



A5

M6*25

X3+1



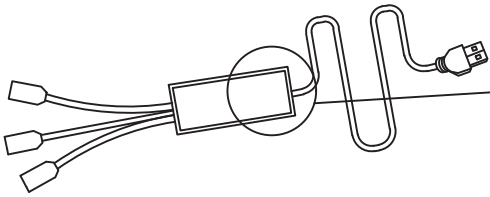
B1

X1

Assembly Instruction

1

LED light strip electronic accessories list



x1

Power cord

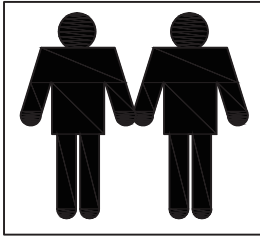


There is a two-dimensional code at the position of the power line. Scanning can download the APP for the control light

Assembly Instruction

Note:

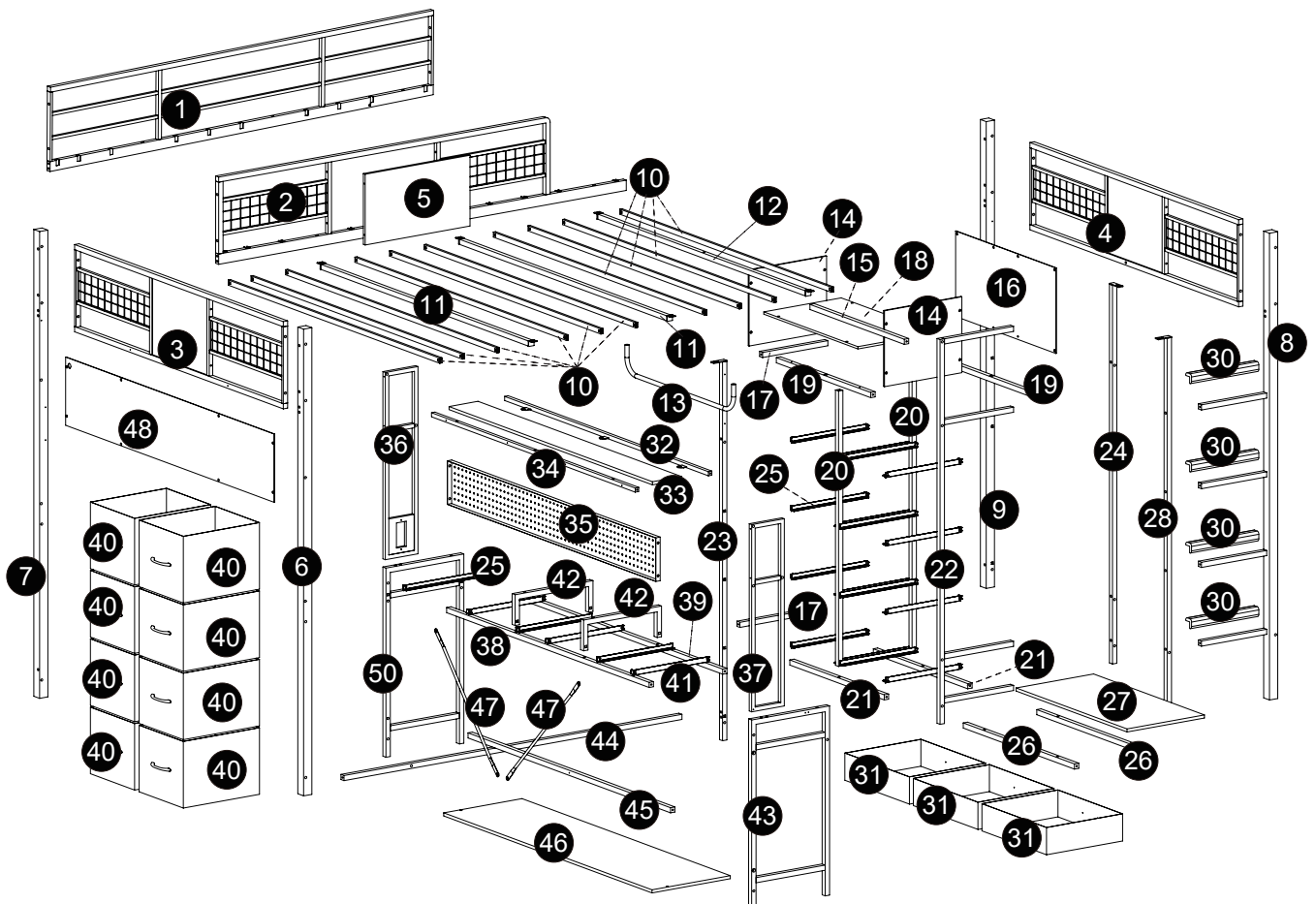
1. Should be assembled on flat ground to keep balance.
2. Before completing the installation, do not tighten the screws.



It needs at least two people to install !!



Before starting the assembly, you must read the whole manual and follow the instructions



Assembly Instruction

1



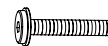
Be careful not to overtighten the screws.

E M6*20



X4

F M6*40

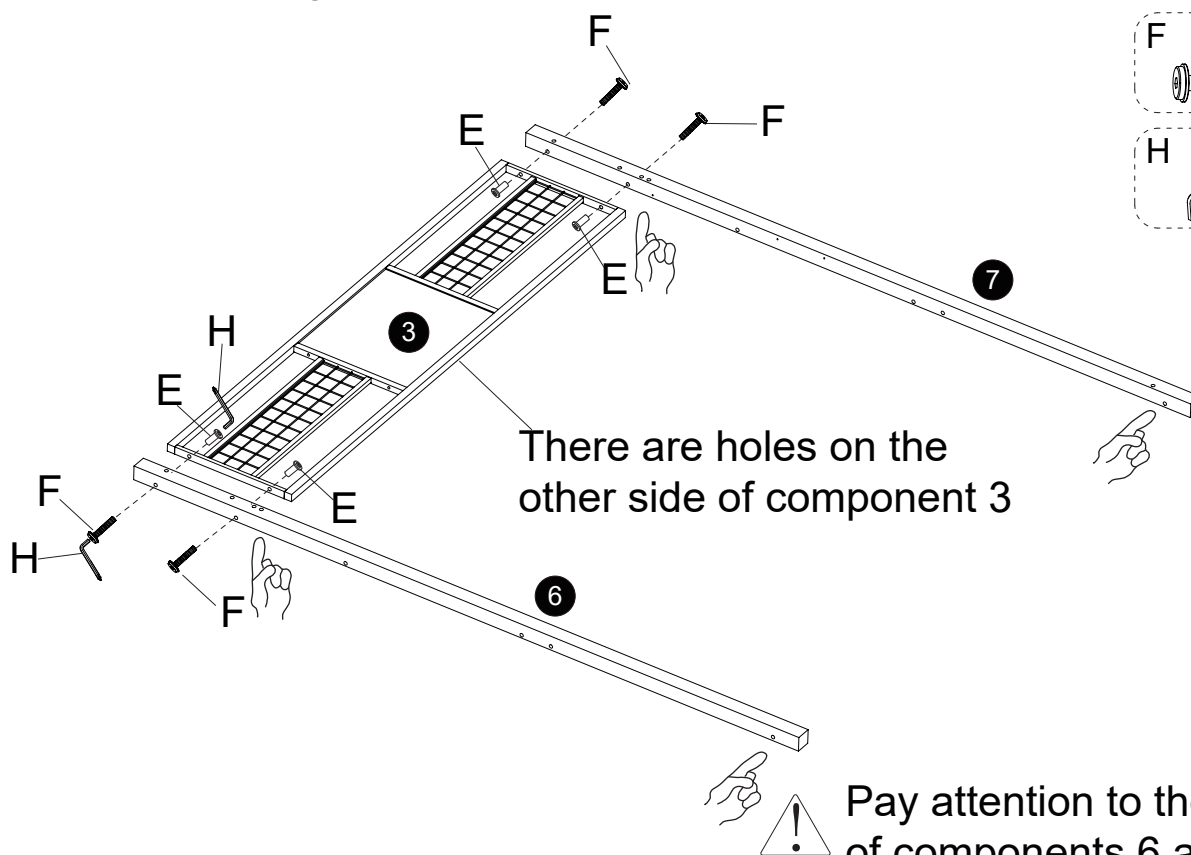


X4

H M4



X1

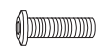


There are holes on the other side of component 3

Pay attention to the direction of components 6 and 7

2

C M6*40

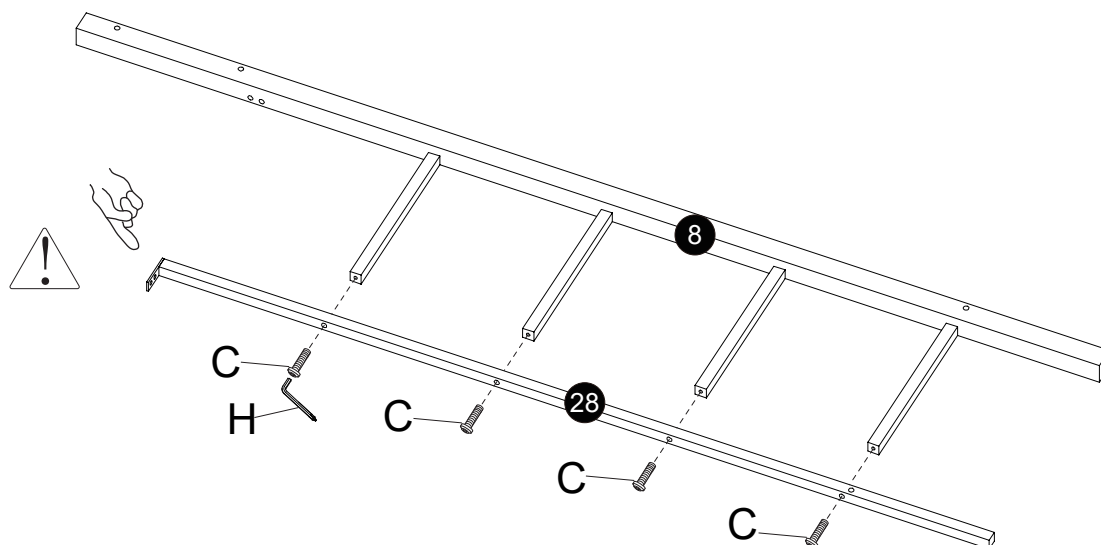


X4

H M4



X1



Assembly Instruction

3



Be careful not to overtighten the screws.

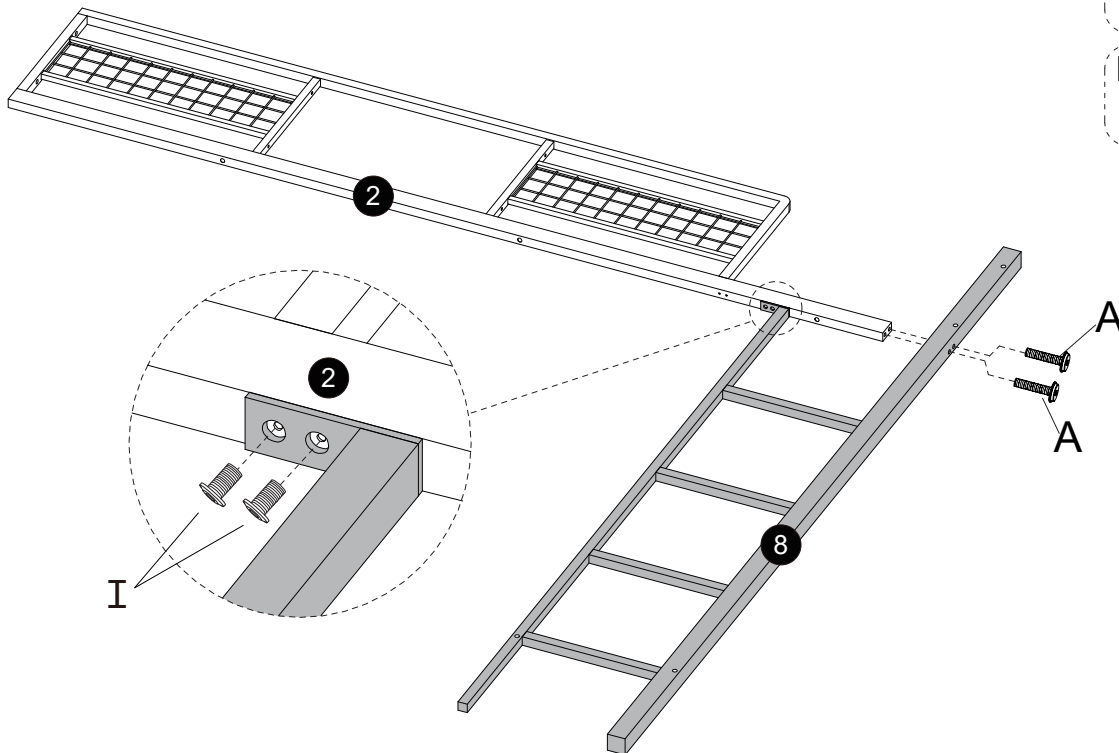
A M8*55



I M6*12



N M5



4

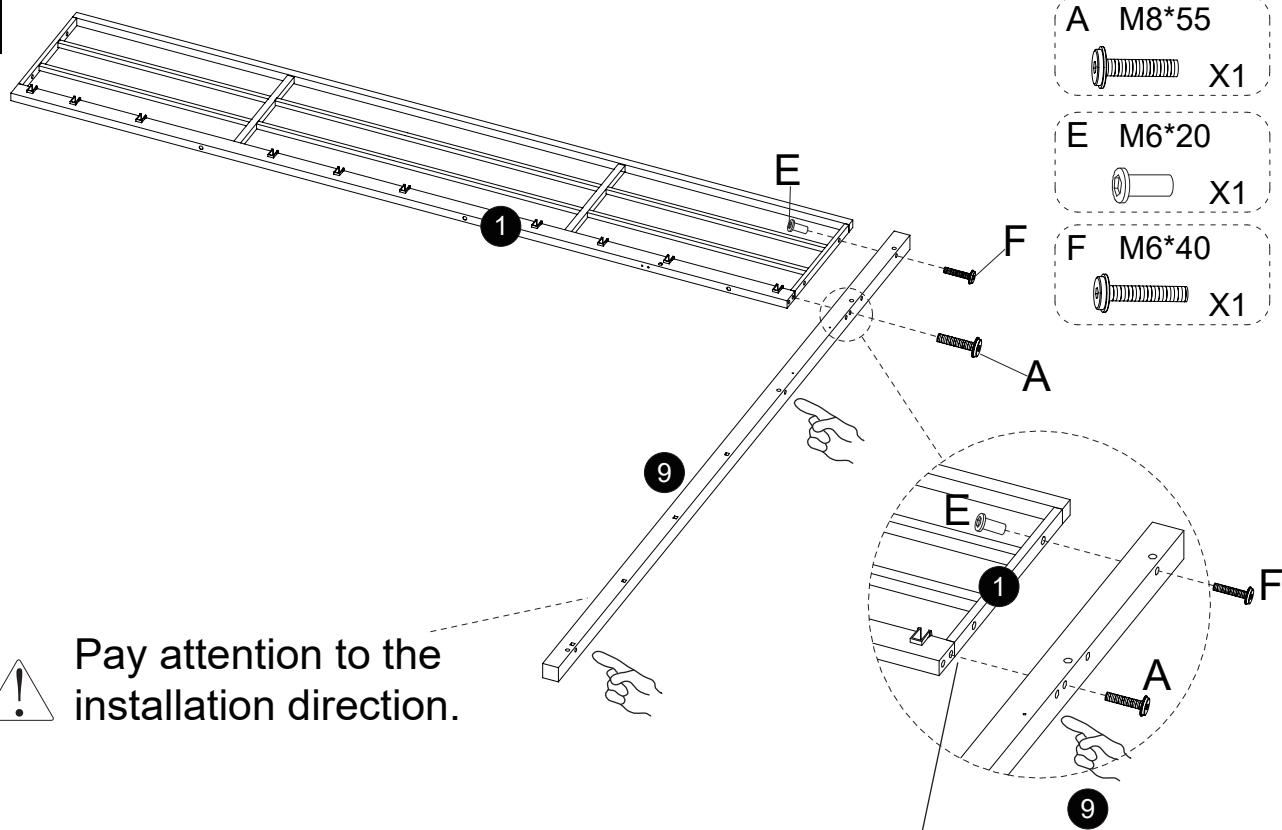
A M8*55



E M6*20



F M6*40



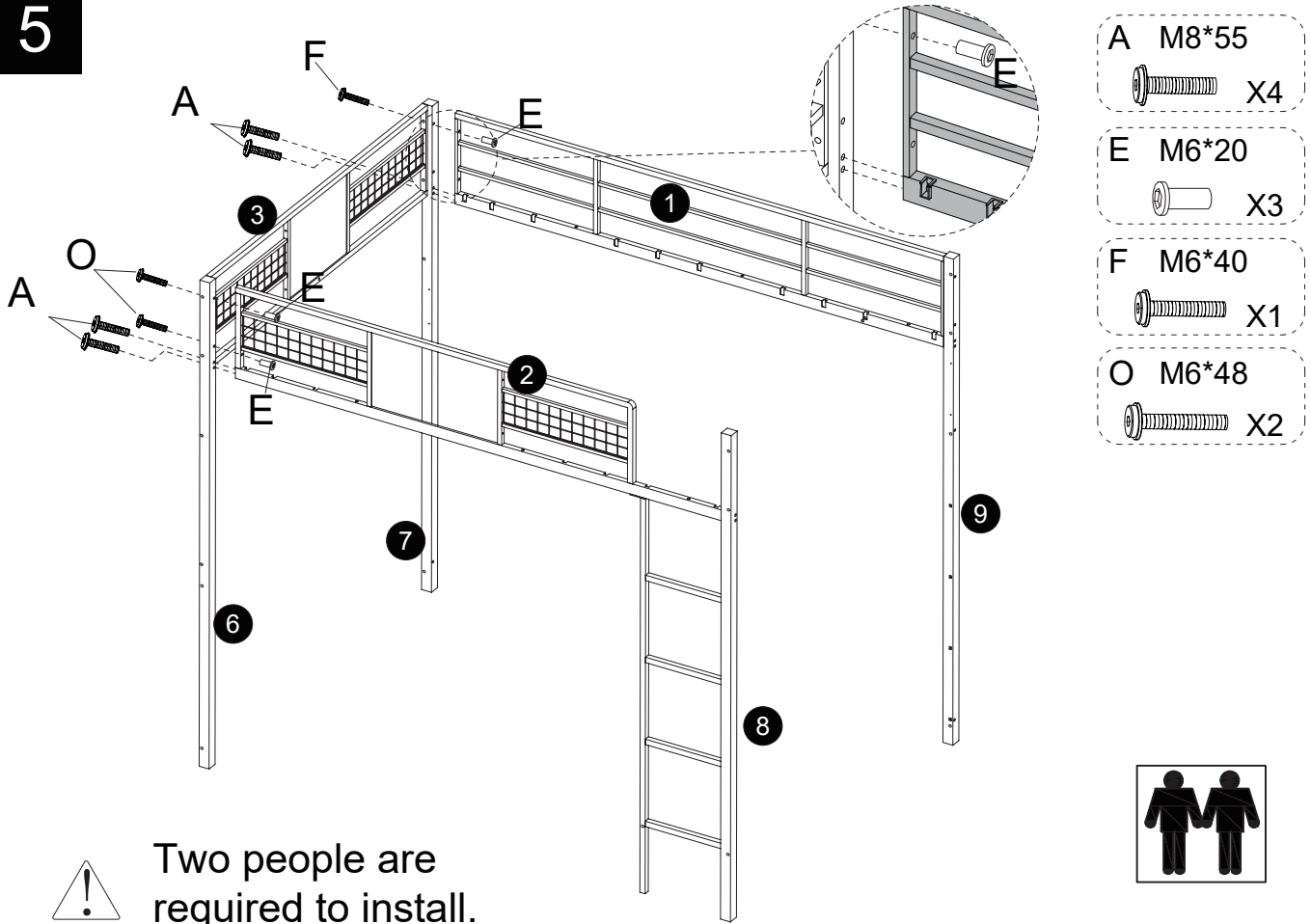
Pay attention to the installation direction.



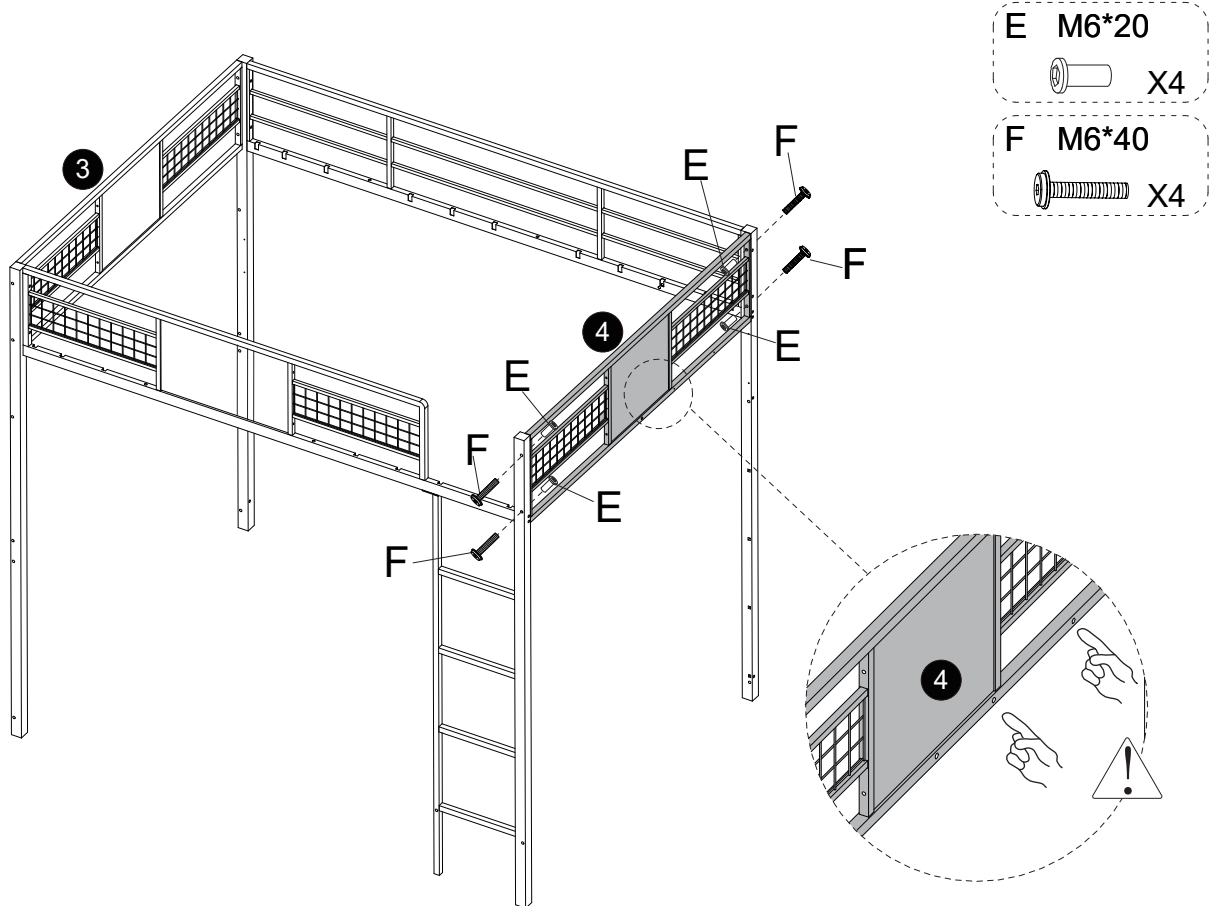
Note that screw A should be locked in one of the holes above, and only this hole needs to be locked.

Assembly Instruction

5




6

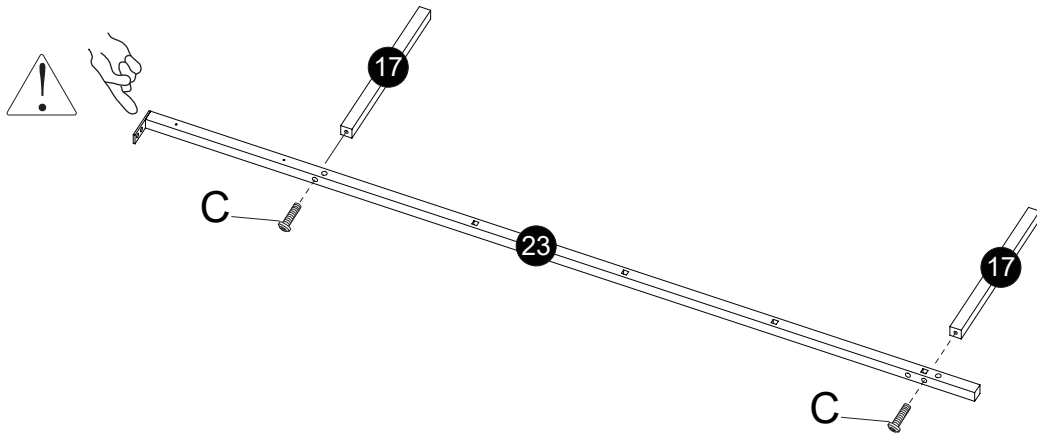


Assembly Instruction

7


C M6*40
 X2

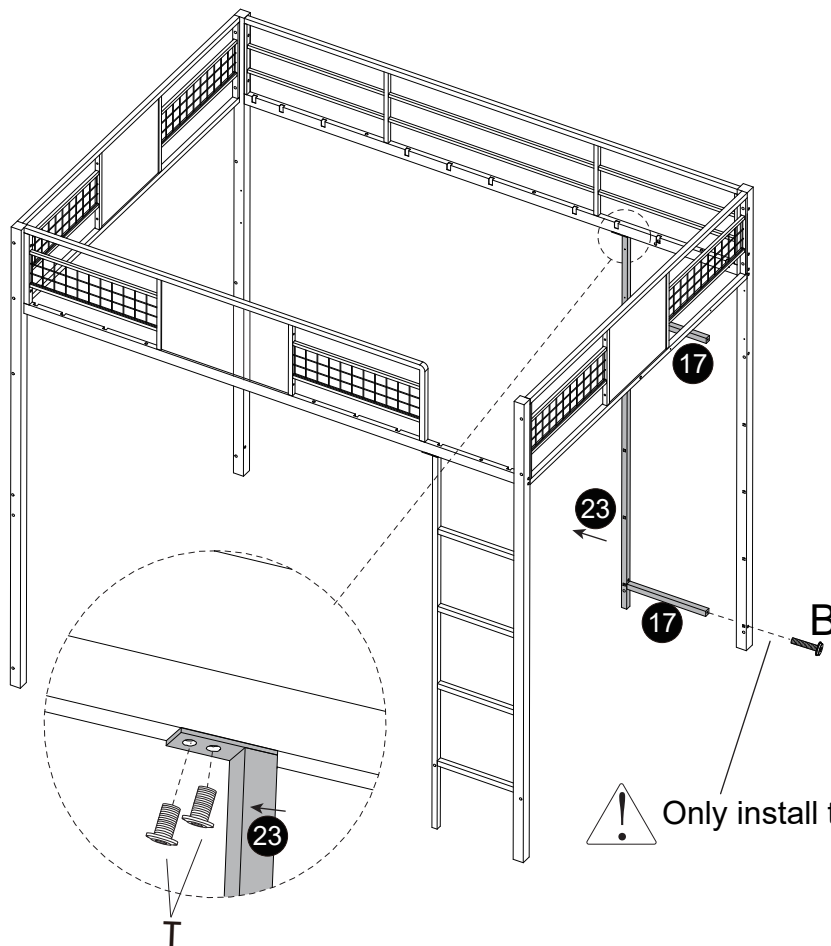
H M4
 X1



8

B M6*55
 X1

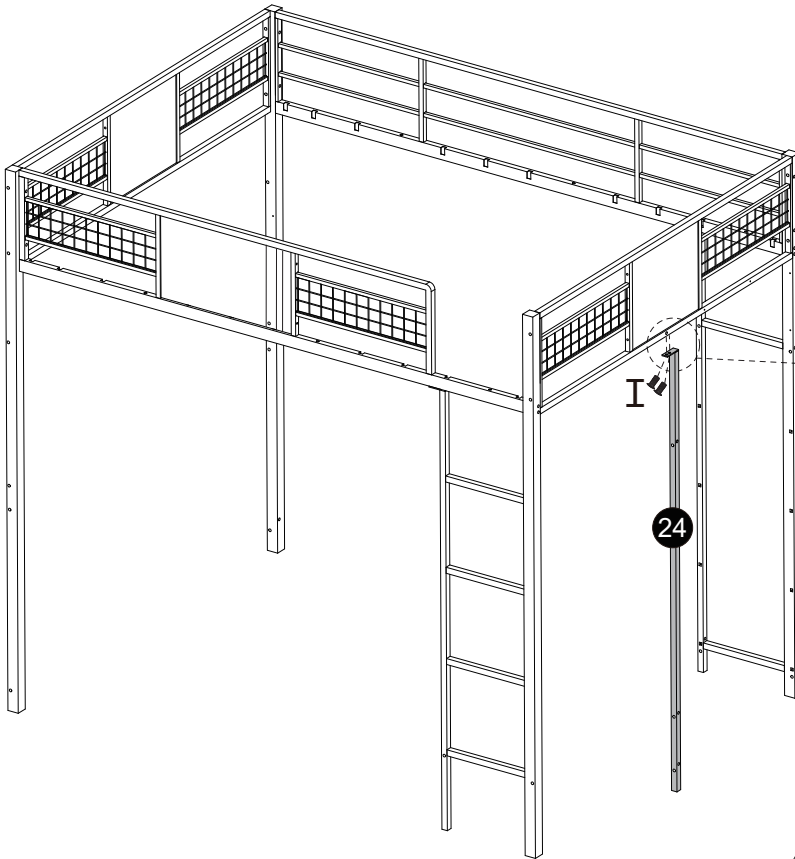
I M6*12
 X2



Assembly Instruction

9

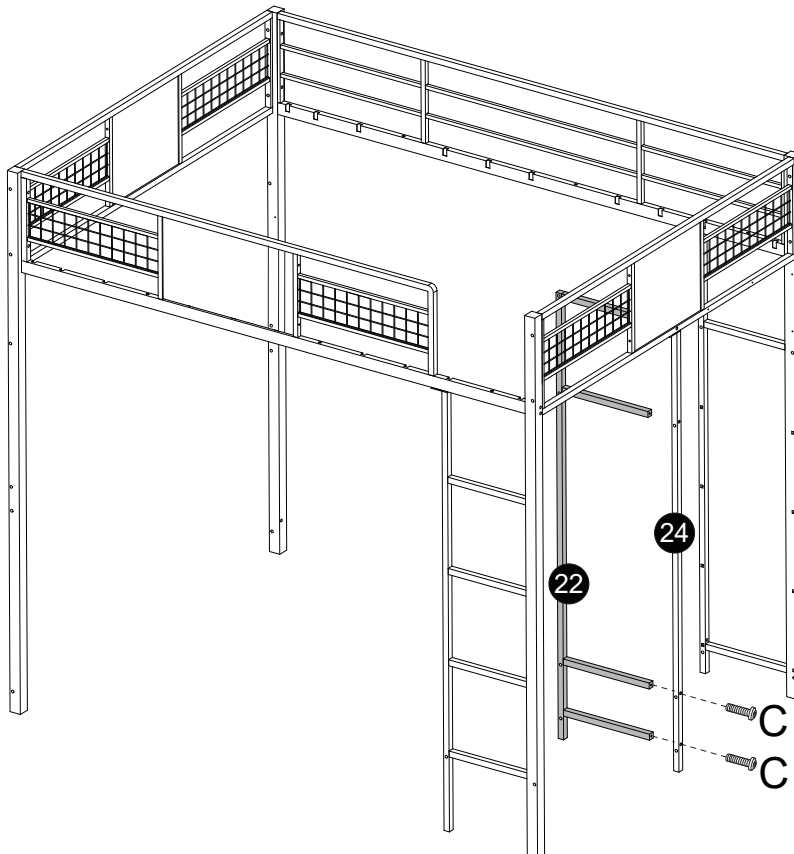
I M6*12
X2



! Pay attention to the installation direction.

10

C M6*40
X2

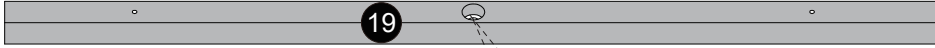


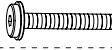
Be careful not to overtighten the screws.

Assembly Instruction

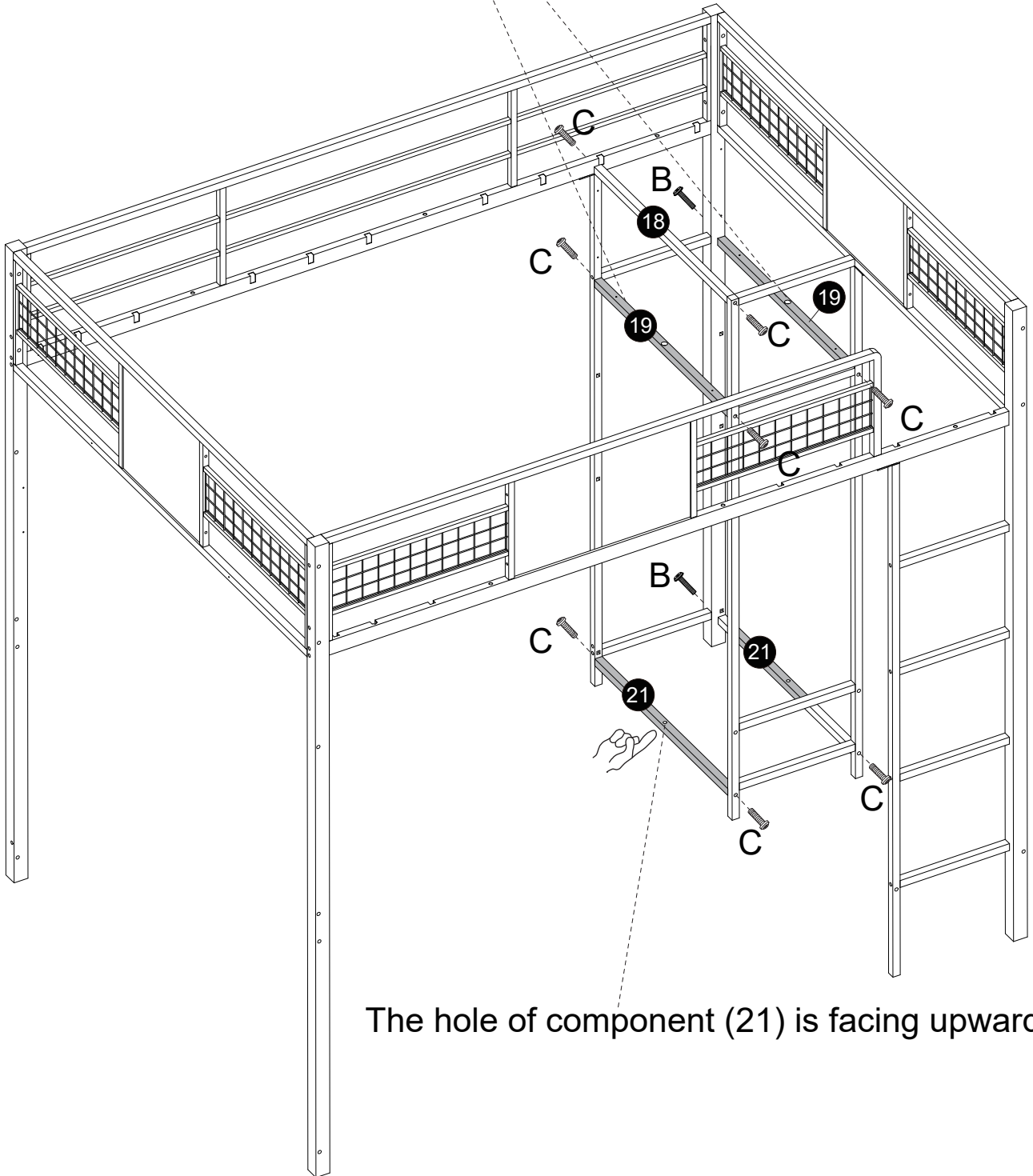
11

The large hole of component (19) is facing upwards.



B M6*55
 X2

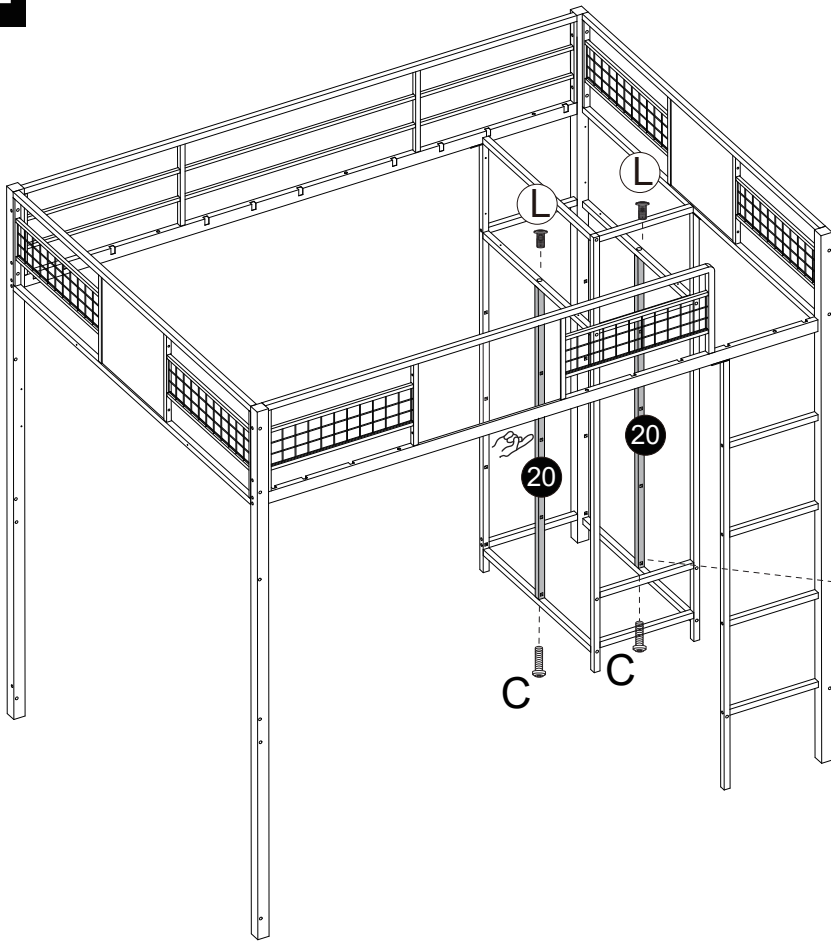
C M6*40
 X8




The hole of component (21) is facing upwards.

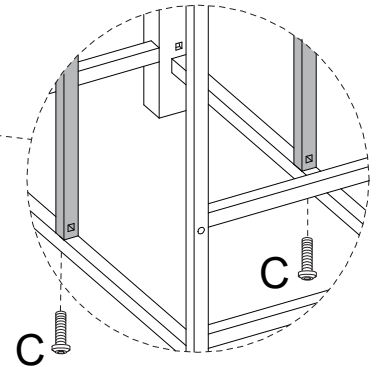
Assembly Instruction

12

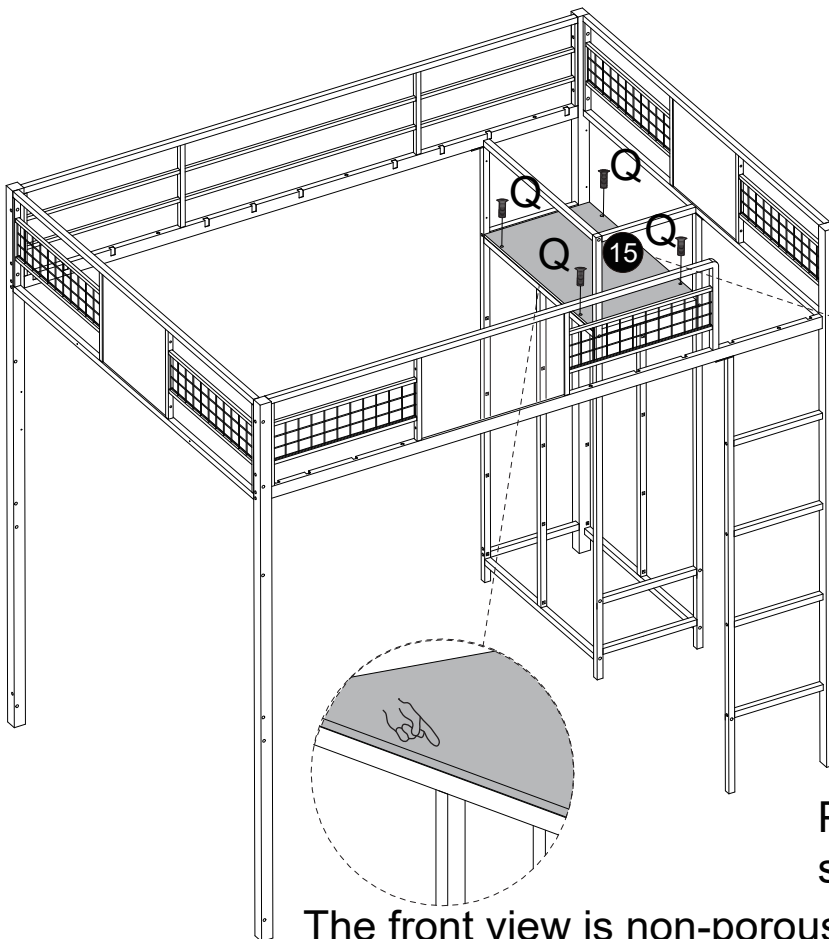



C M6*40
 X2

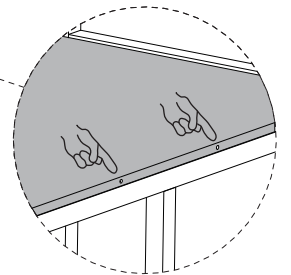
L M6*28
 X2



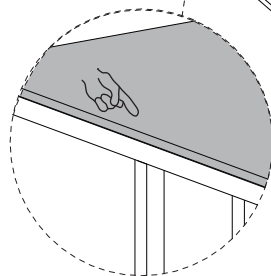
13



Q M6*18
 X4



The back view is holed.

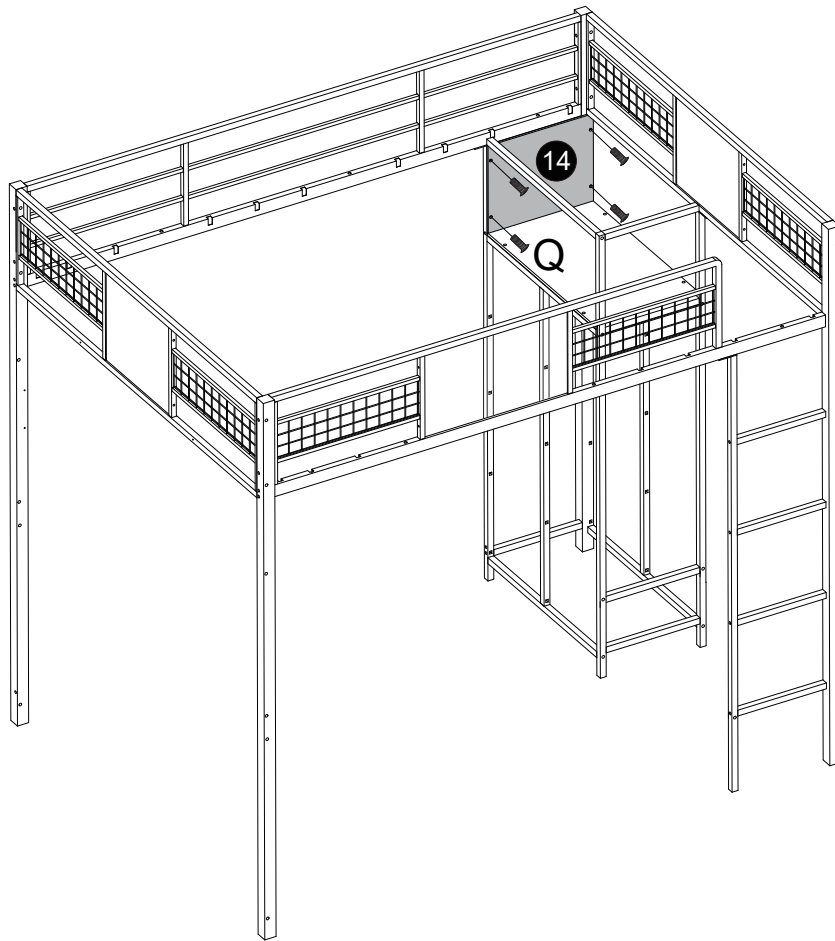


The front view is non-porous.

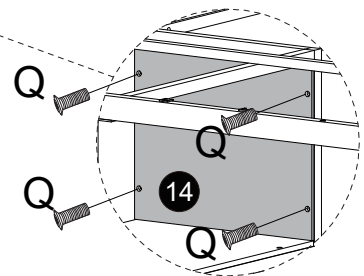
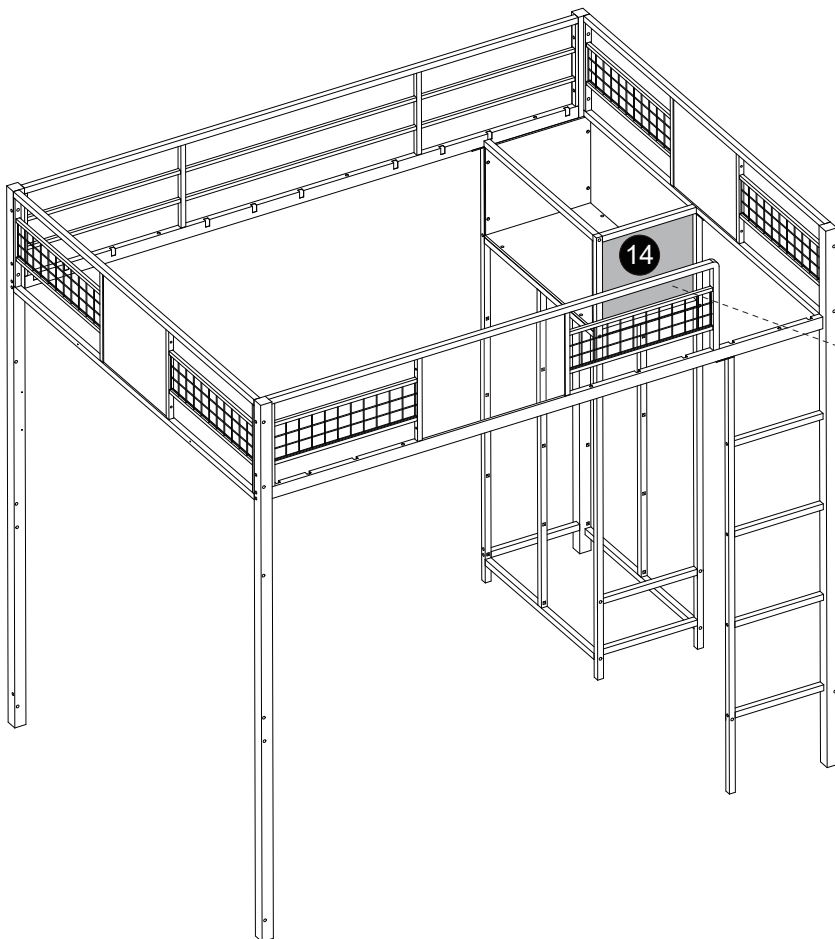
Please refer to step 18 for installation.

Assembly Instruction

14



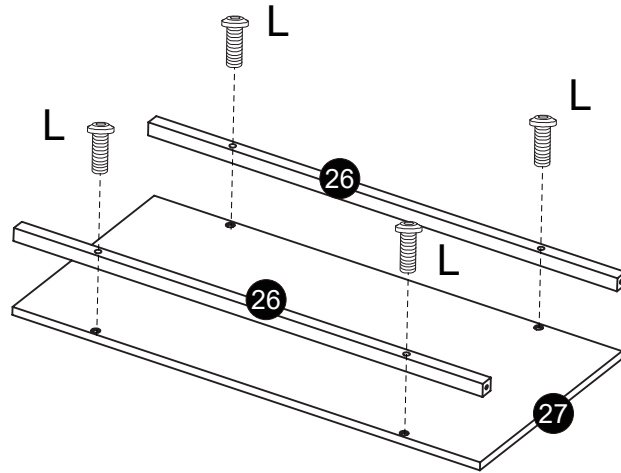
15



Assembly Instruction


16

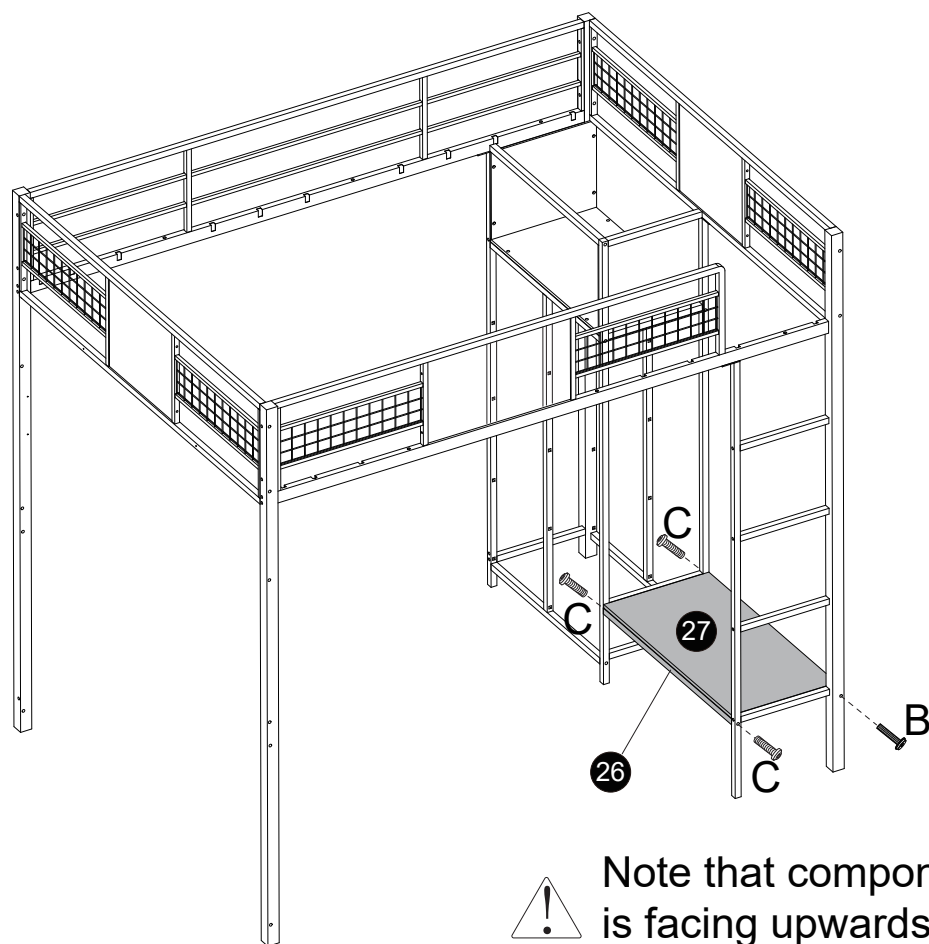
L M6*28
 X4



17

B M6*55
 X1

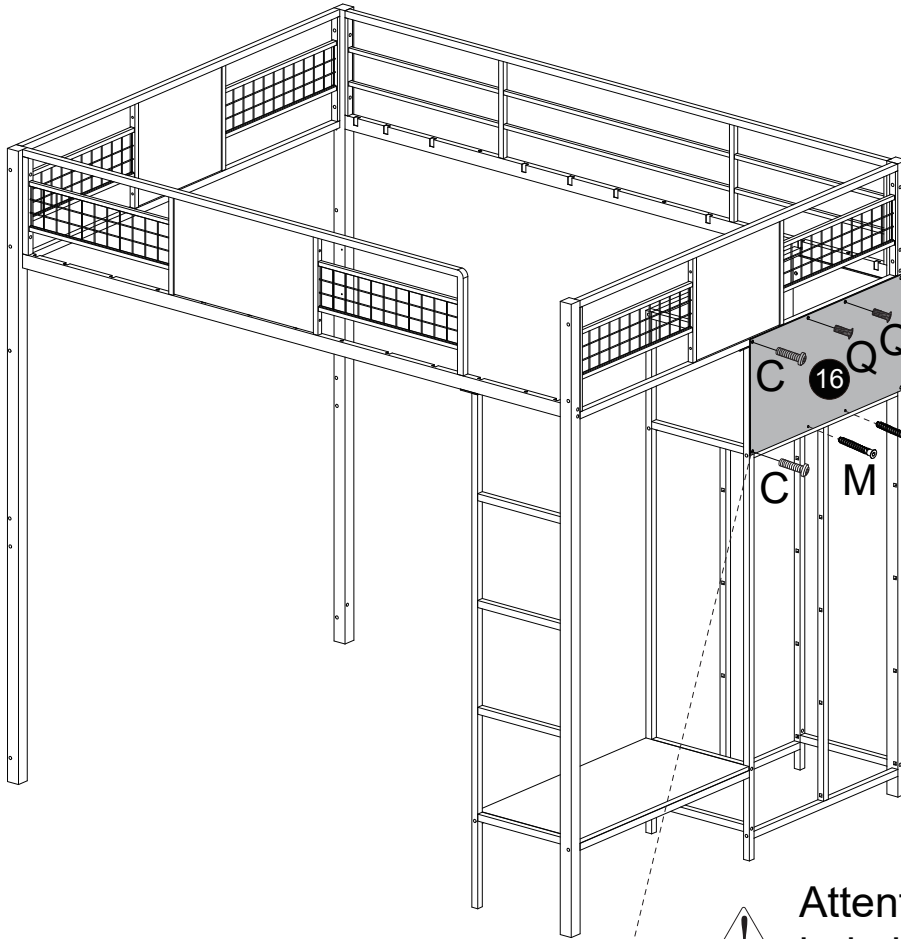
C M6*40
 X3



Note that component 27 is facing upwards

Assembly Instruction

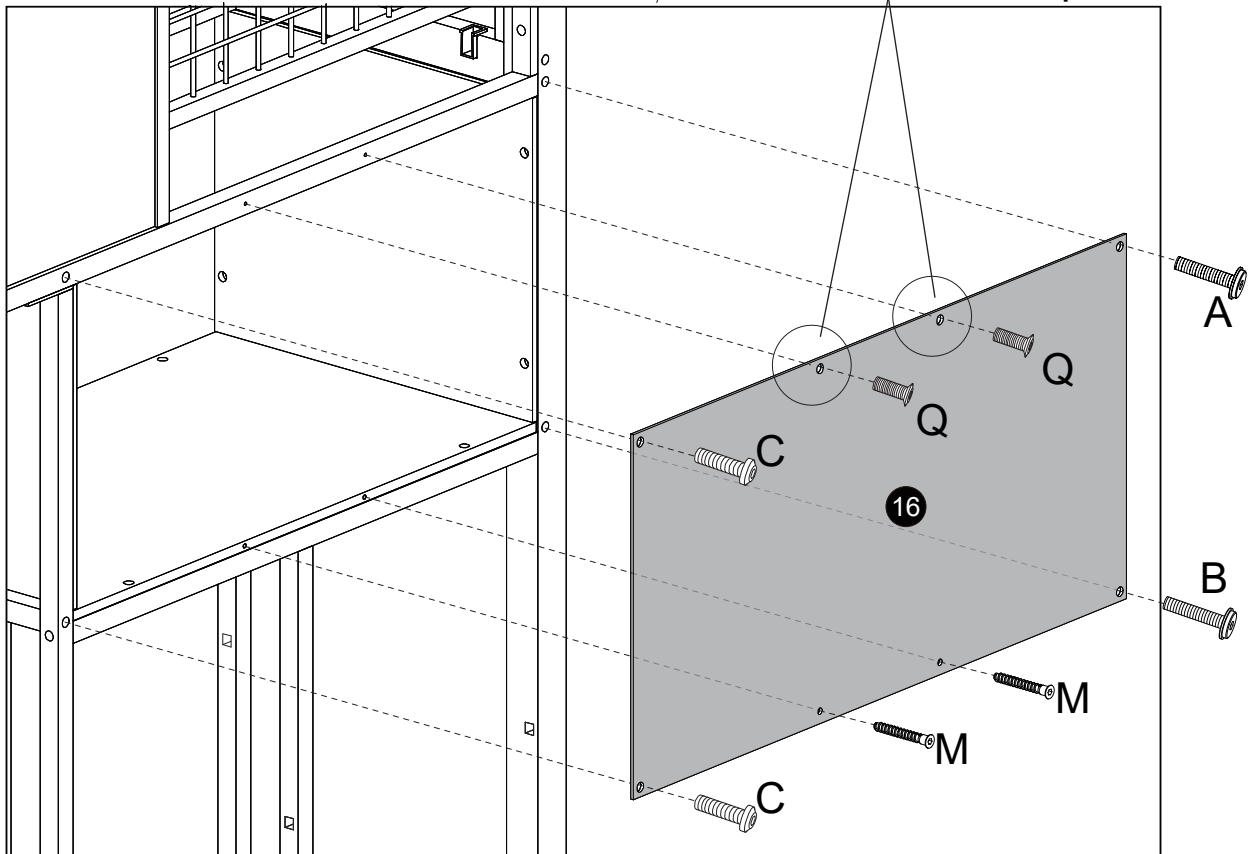
18



- A M8*55 X1
- B M6*55 X1
- C M6*40 X2
- M M5*40 X2
- Q M6*18 X2




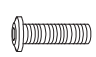
Attention, the larger hole is on top.

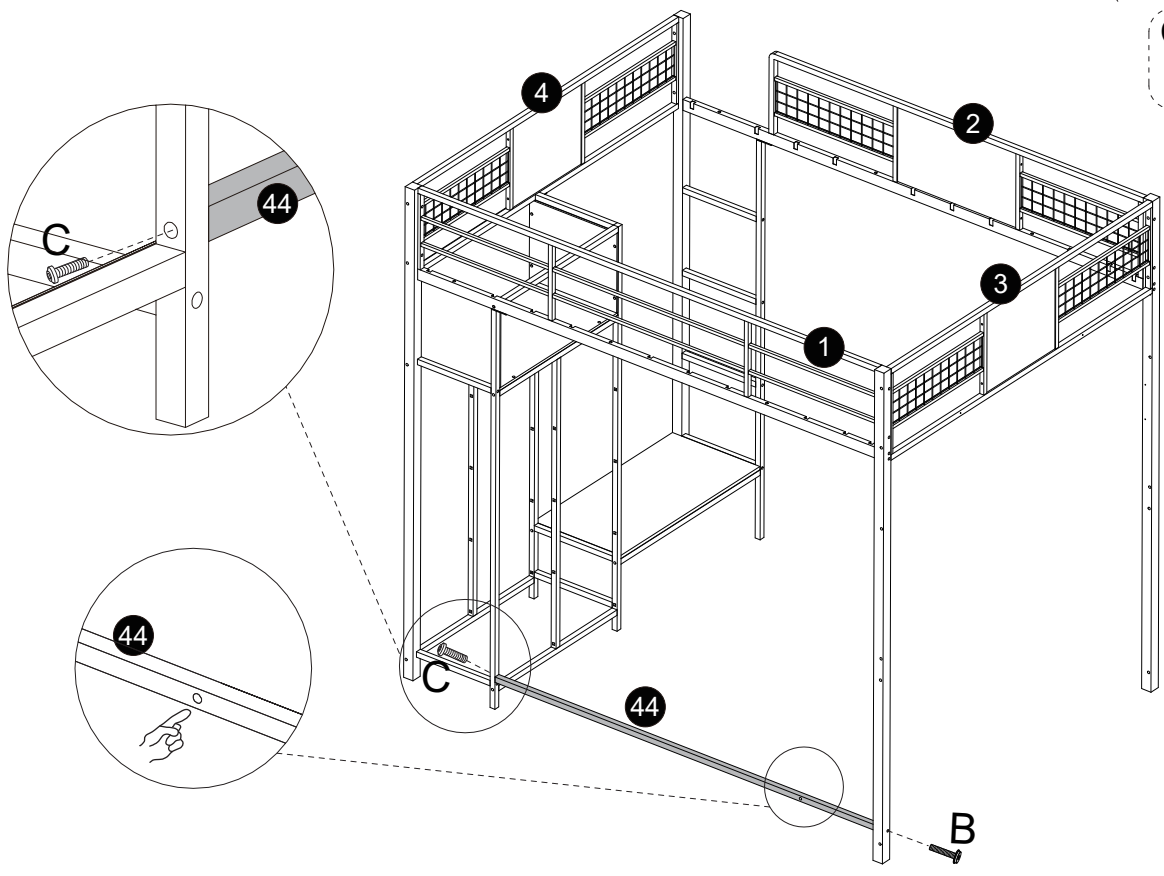


Be careful not to overtighten the screws.

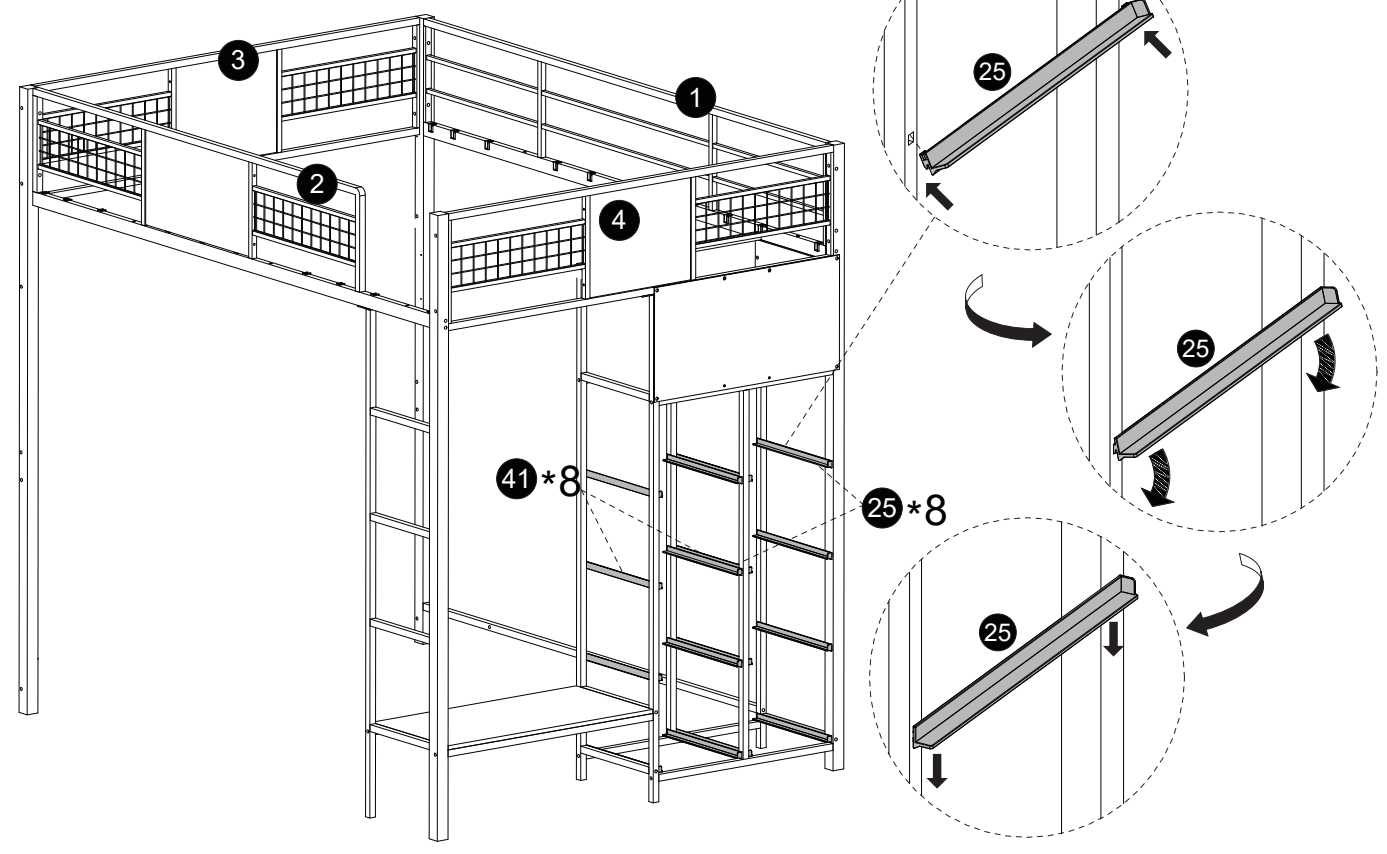
Assembly Instruction

19

- B M6*55
 X1
- C M6*40
 X1



20

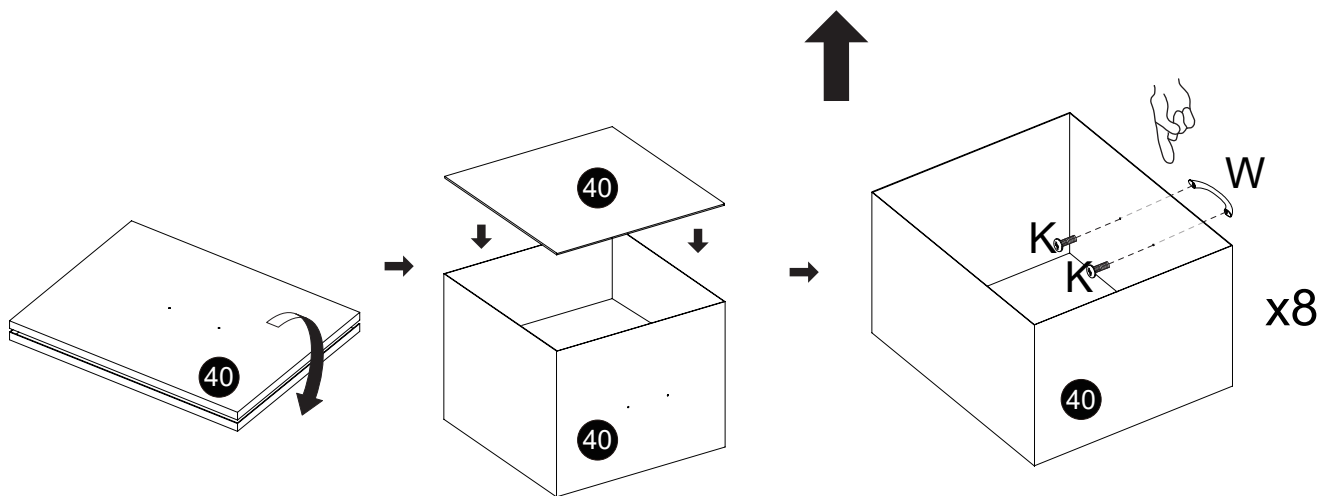
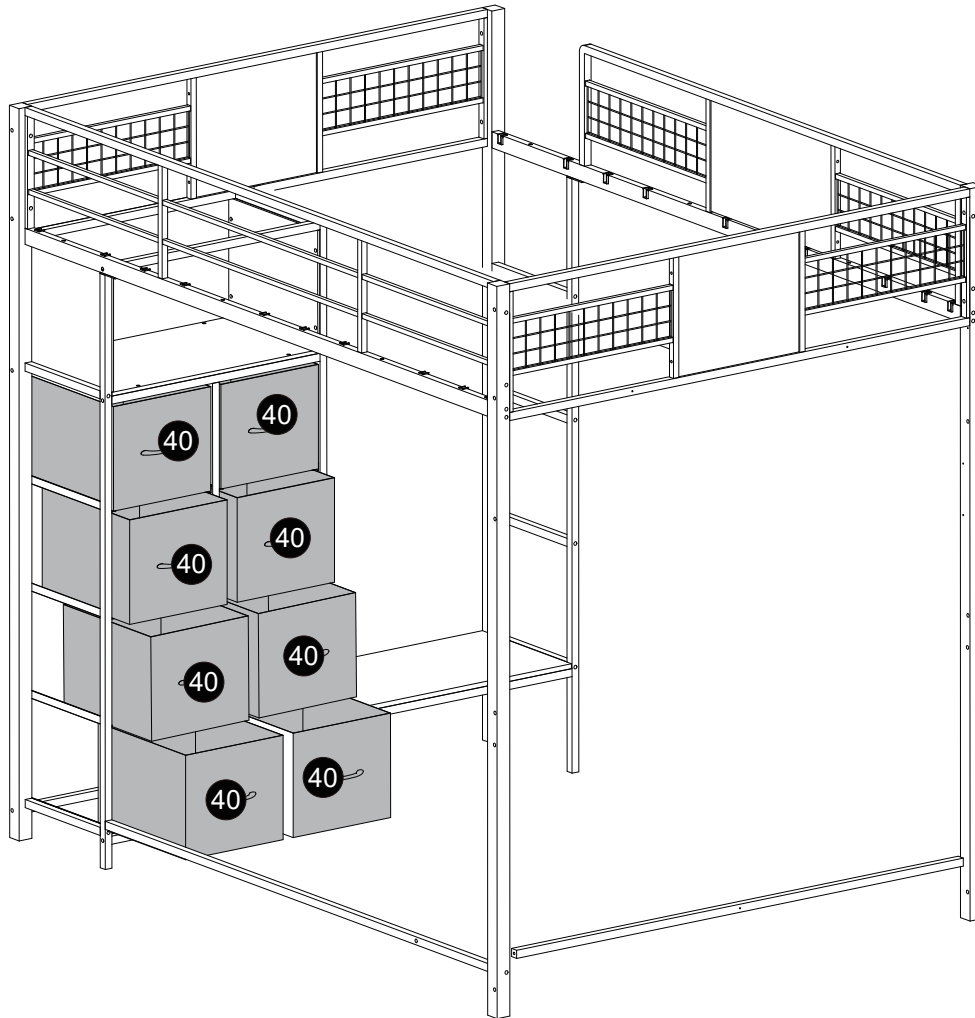


Assembly Instruction

21

K M4*10
X16

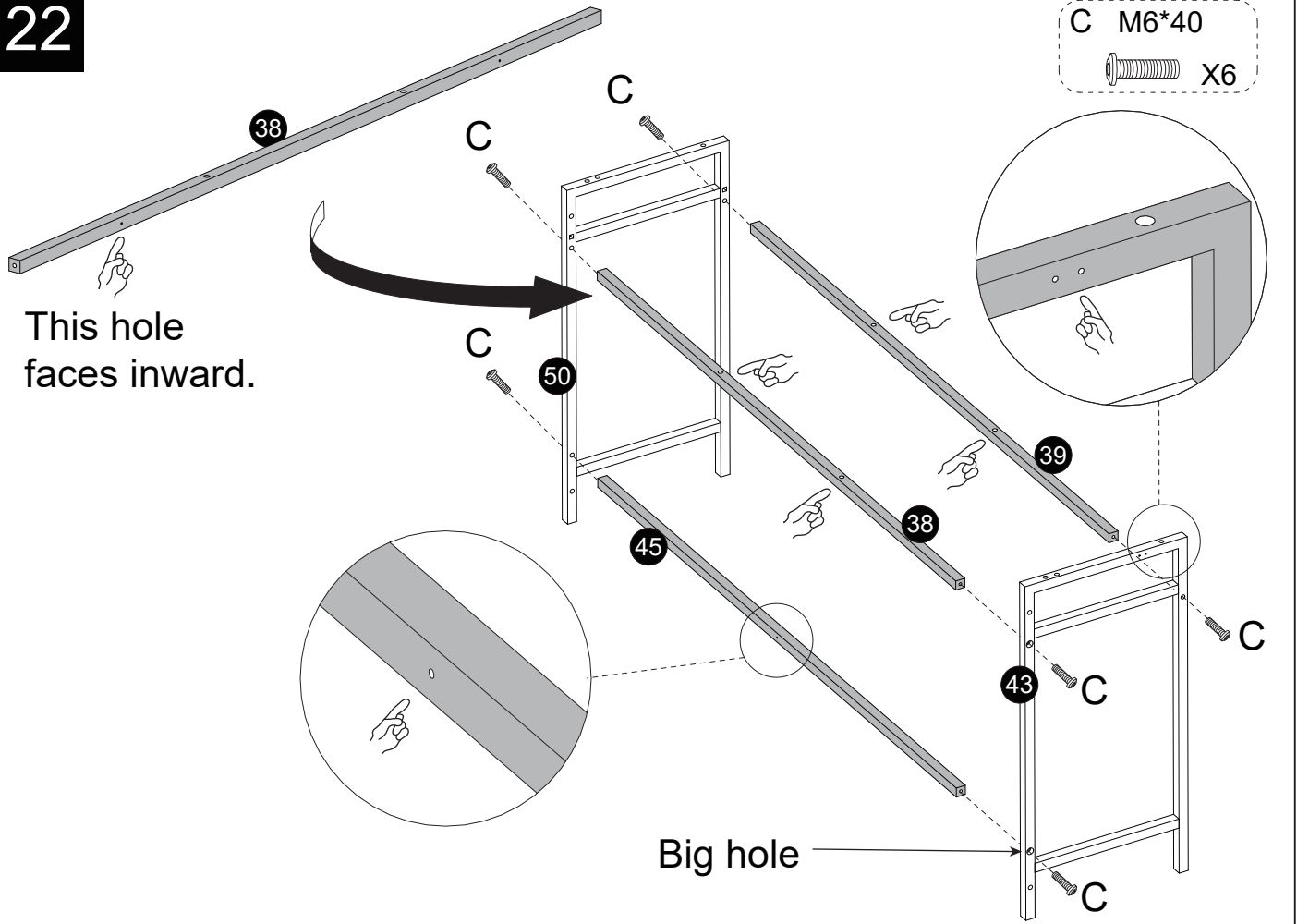
W
X8



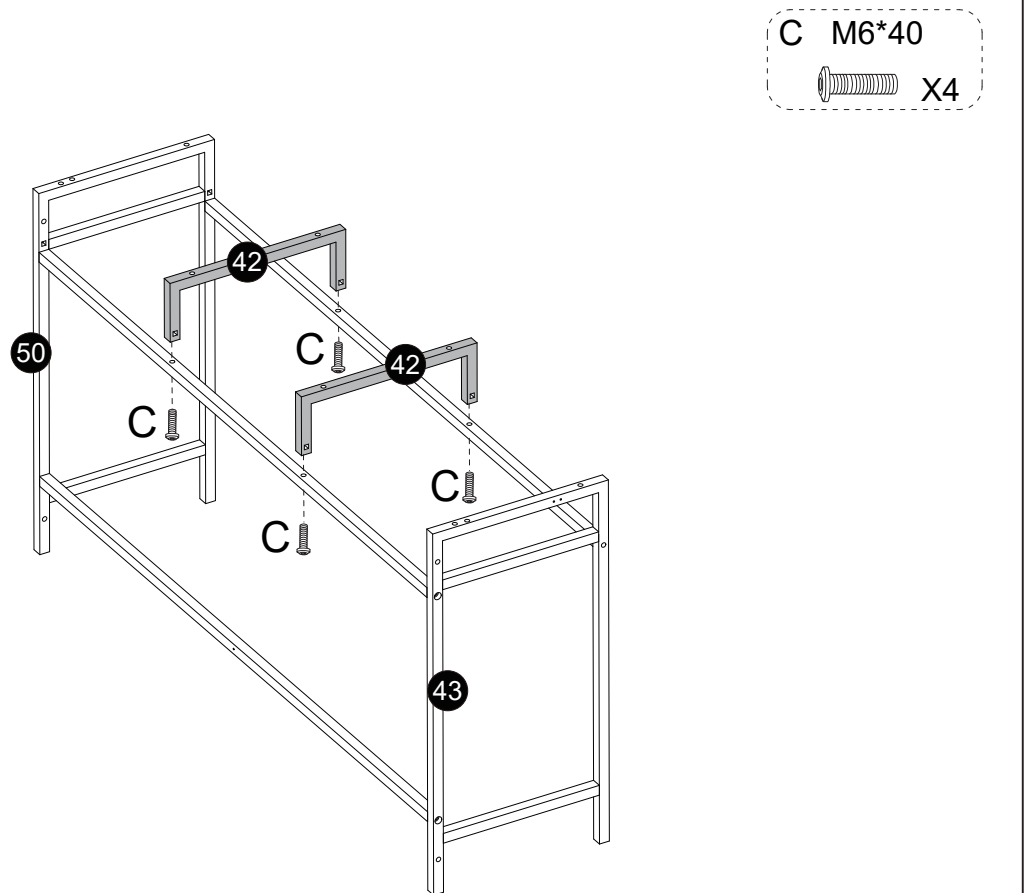
Be careful not to overtighten the screws.

Assembly Instruction

22



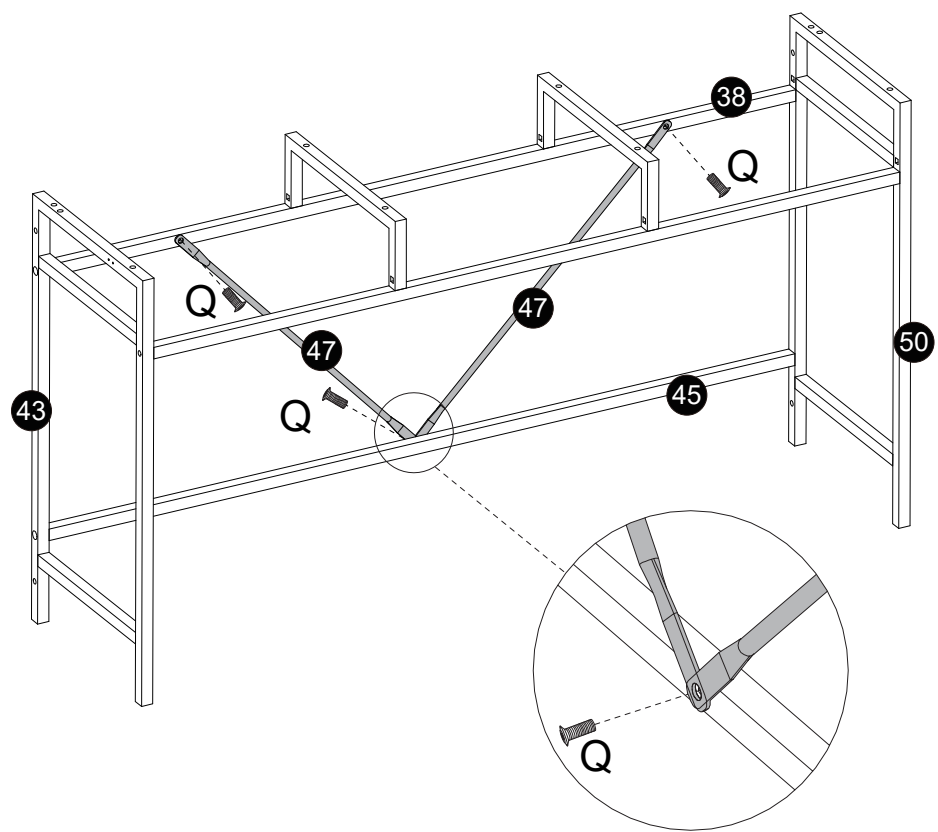
23



Assembly Instruction

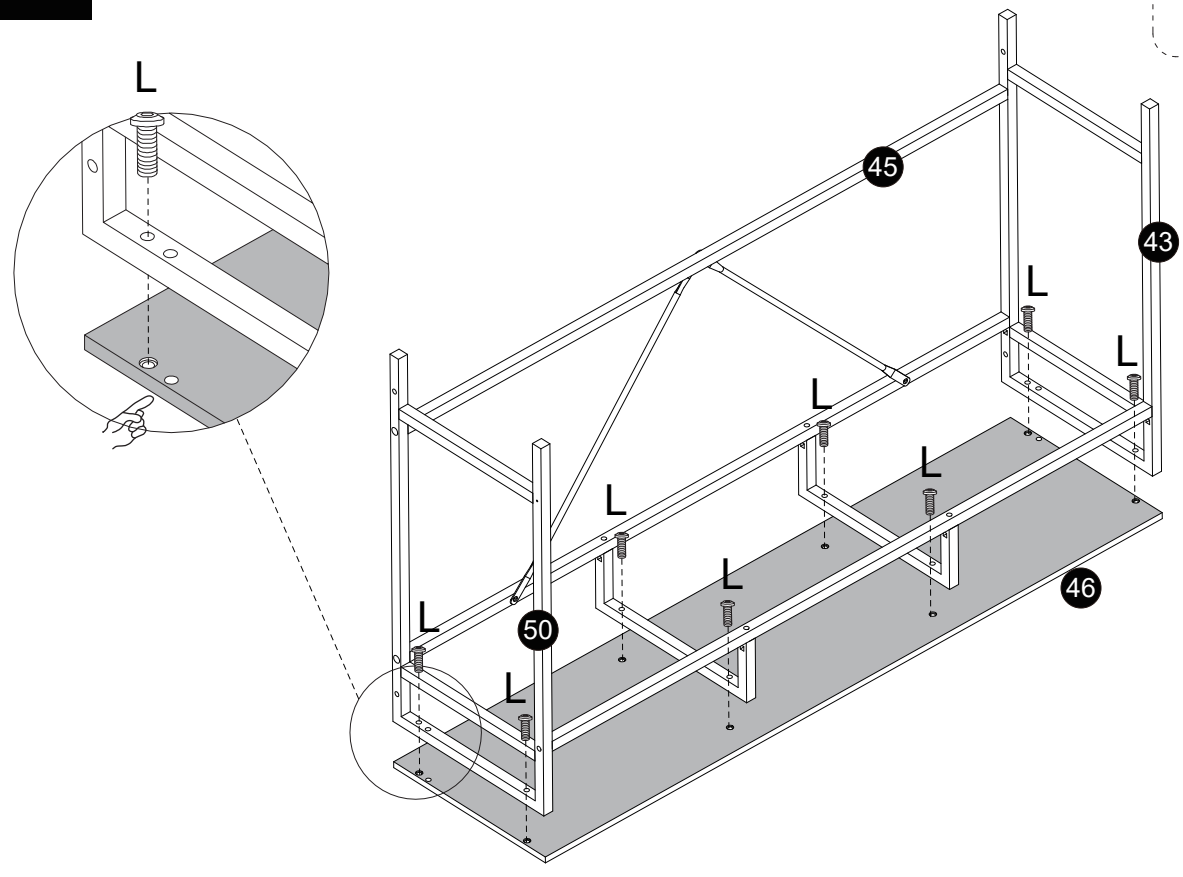
24

Q M6*18
X3



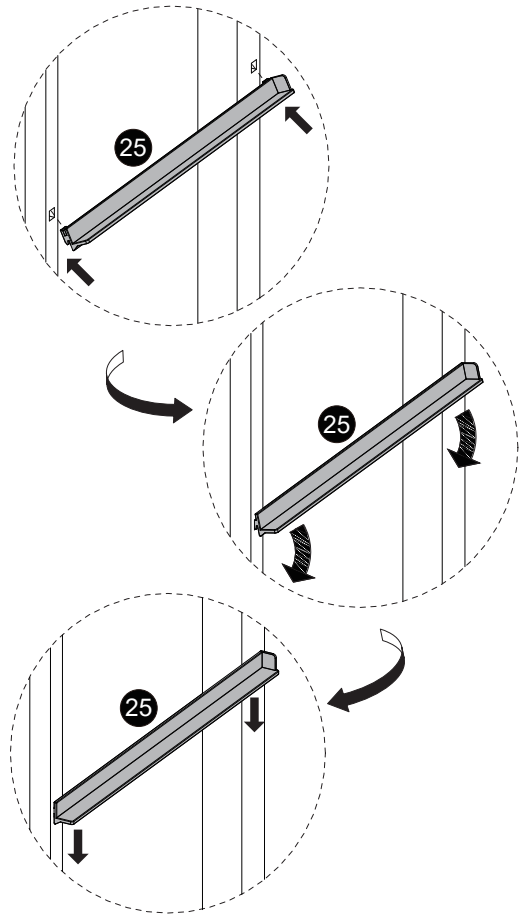
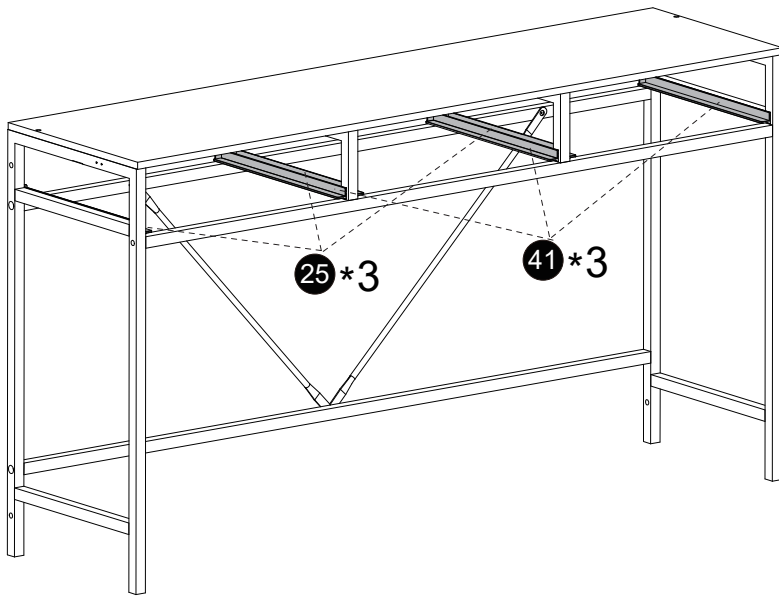
25

L M6*28
X8

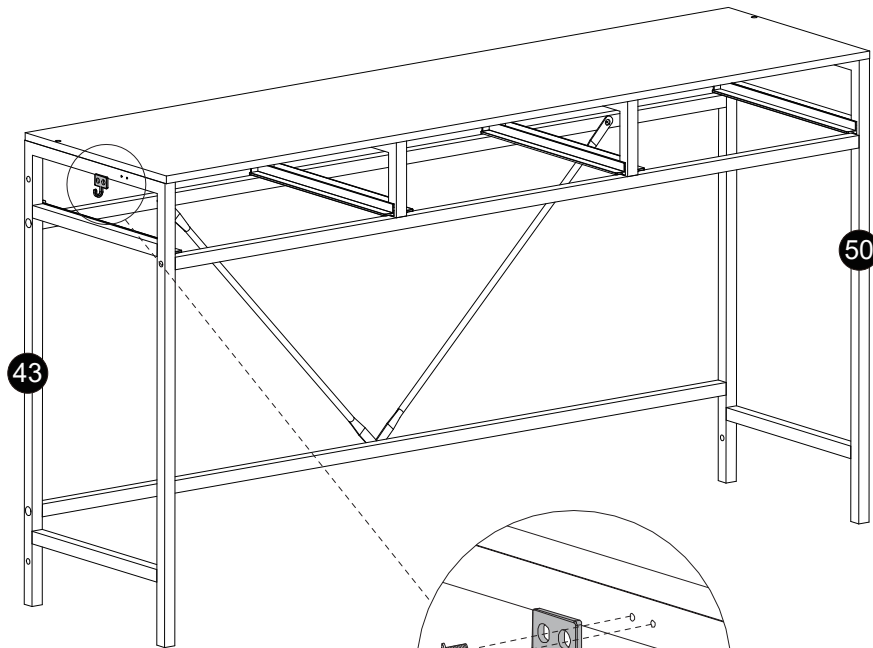


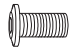
Assembly Instruction

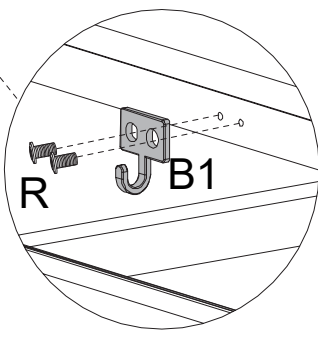
26



27

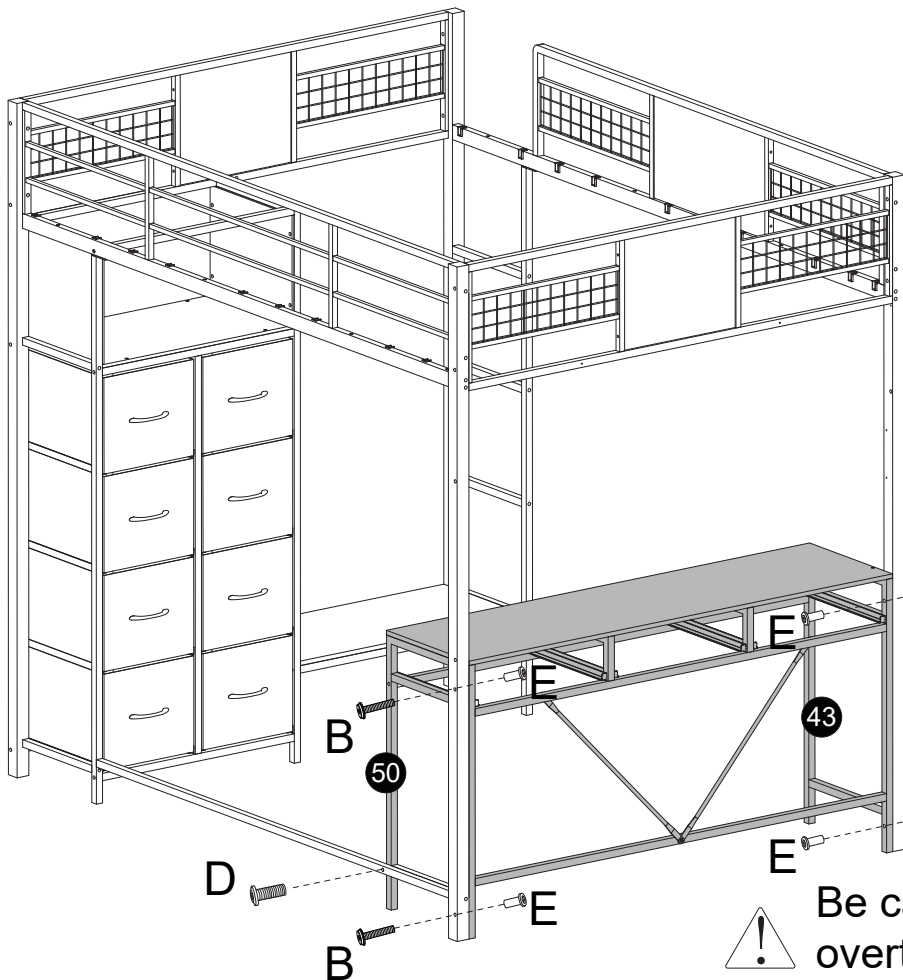


R M6*10
 X2



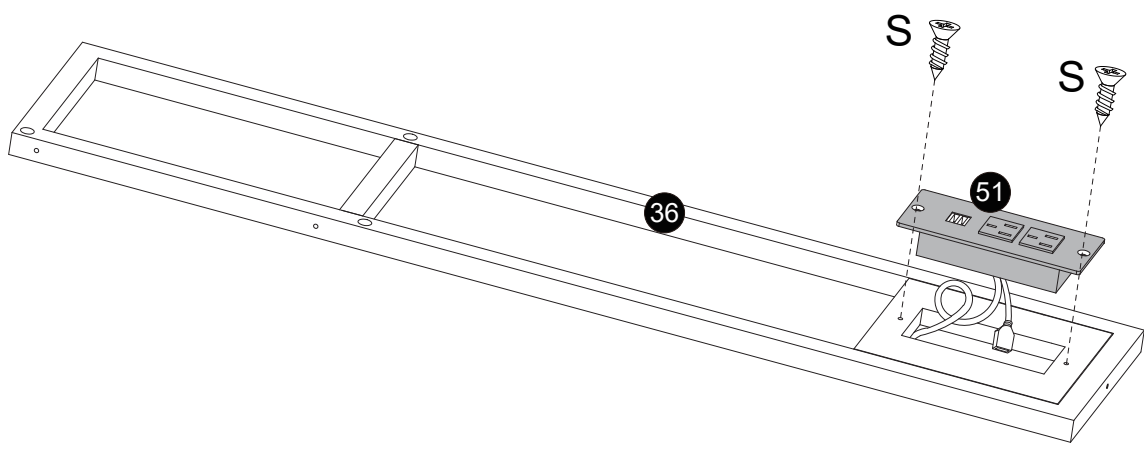
Assembly Instruction

28



- D M6*32 X1
- E M6*20 X4
- B M6*55 X4

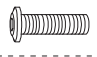
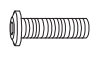
29

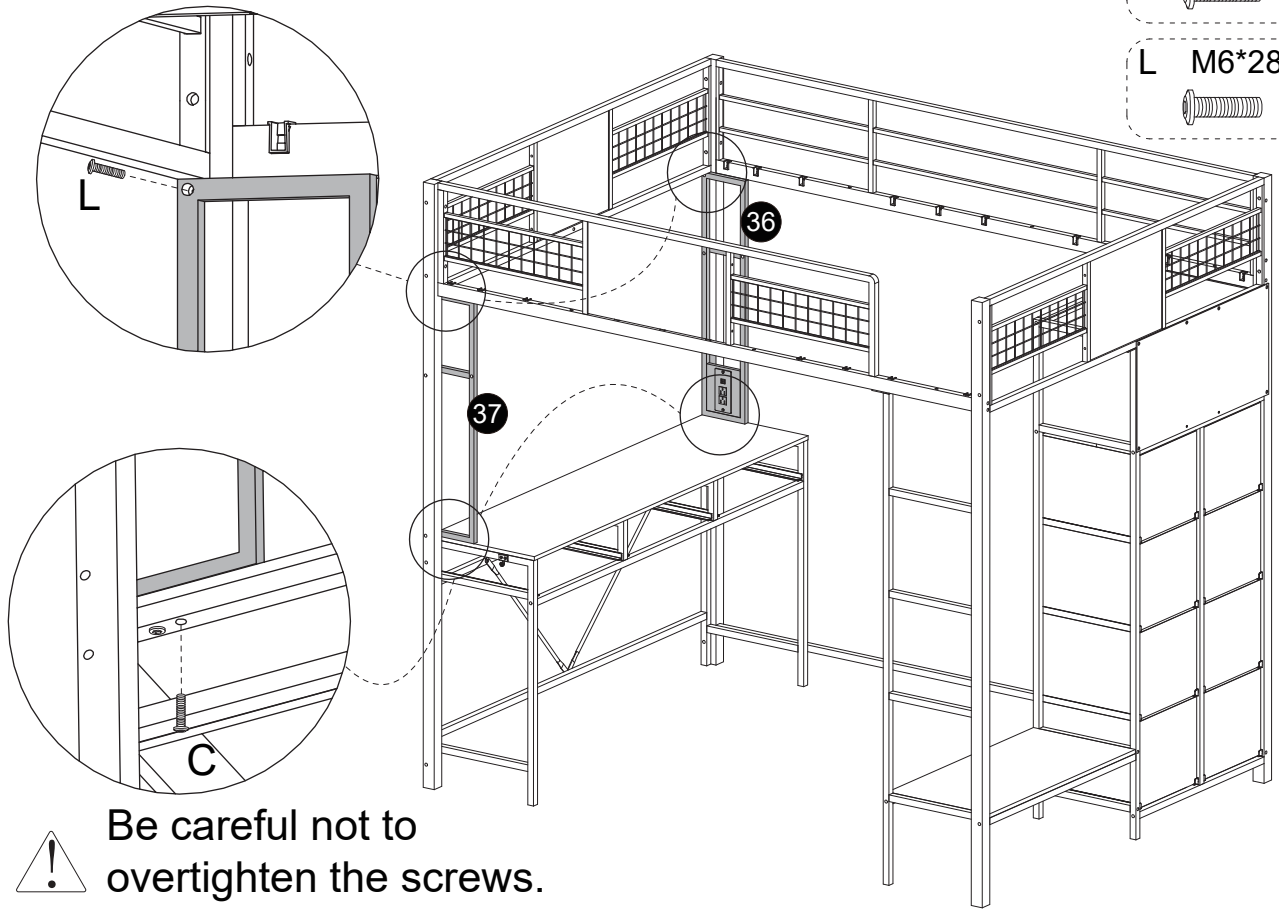



- S M3*12 X2

Assembly Instruction

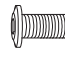

30

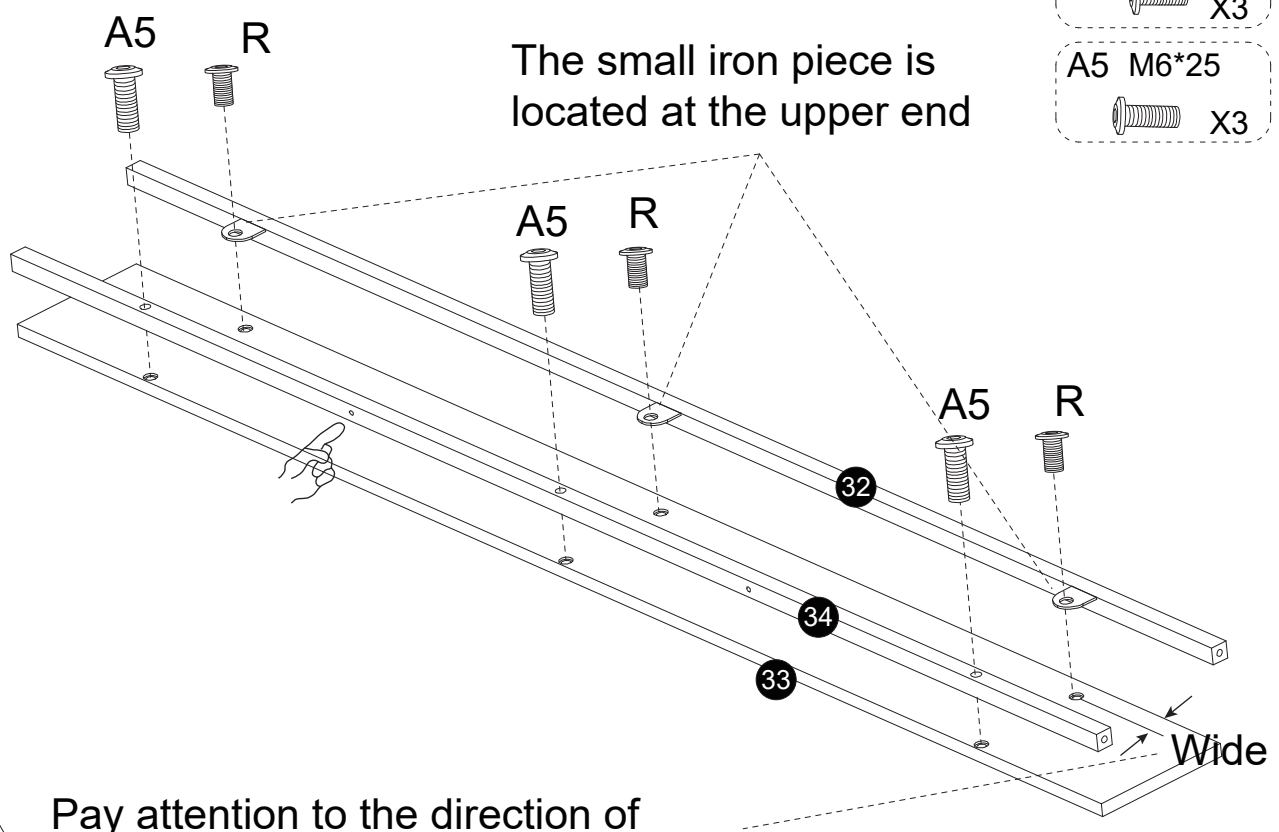
- C M6*40  X2
- L M6*28  X2




 Be careful not to overtighten the screws.

31

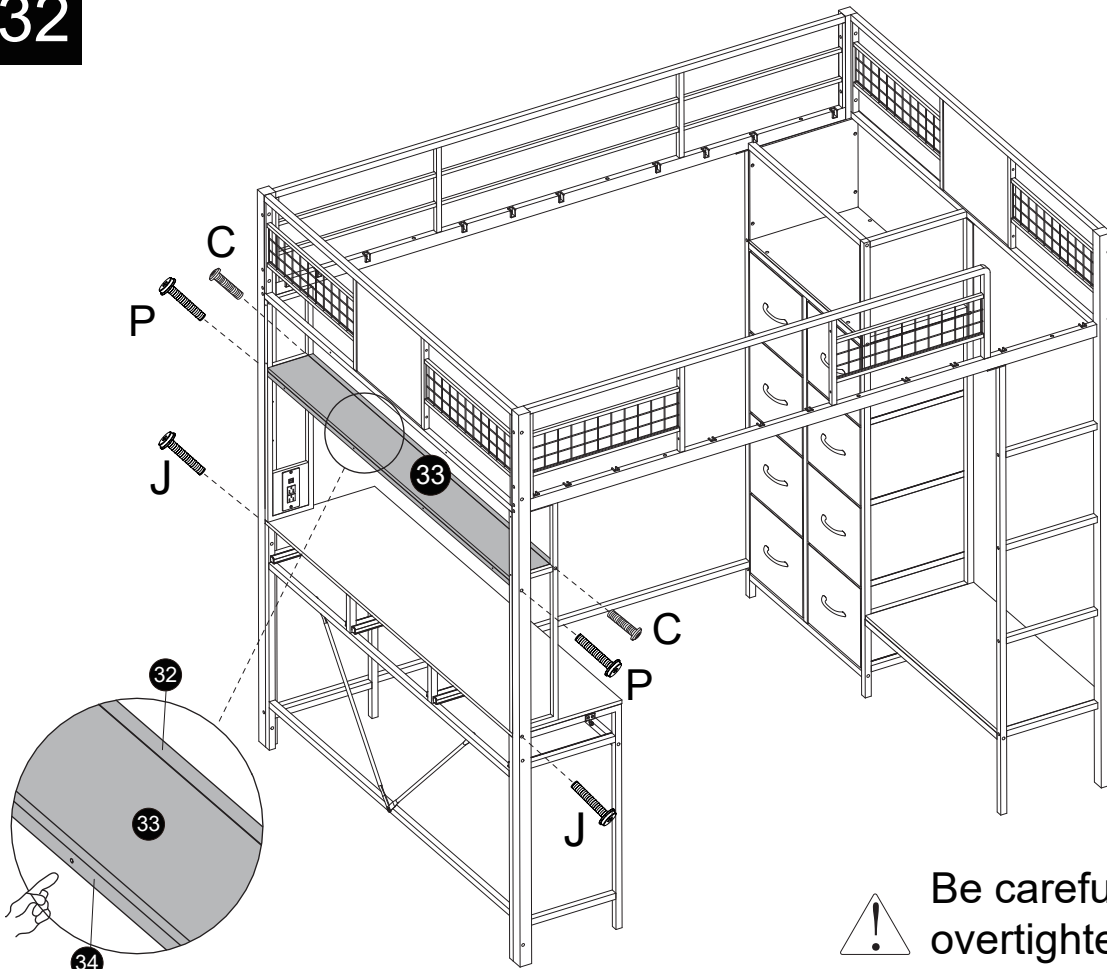
- R M6*10  X3
- A5 M6*25  X3



 Pay attention to the direction of component 33 according to the prompts.

Assembly Instruction

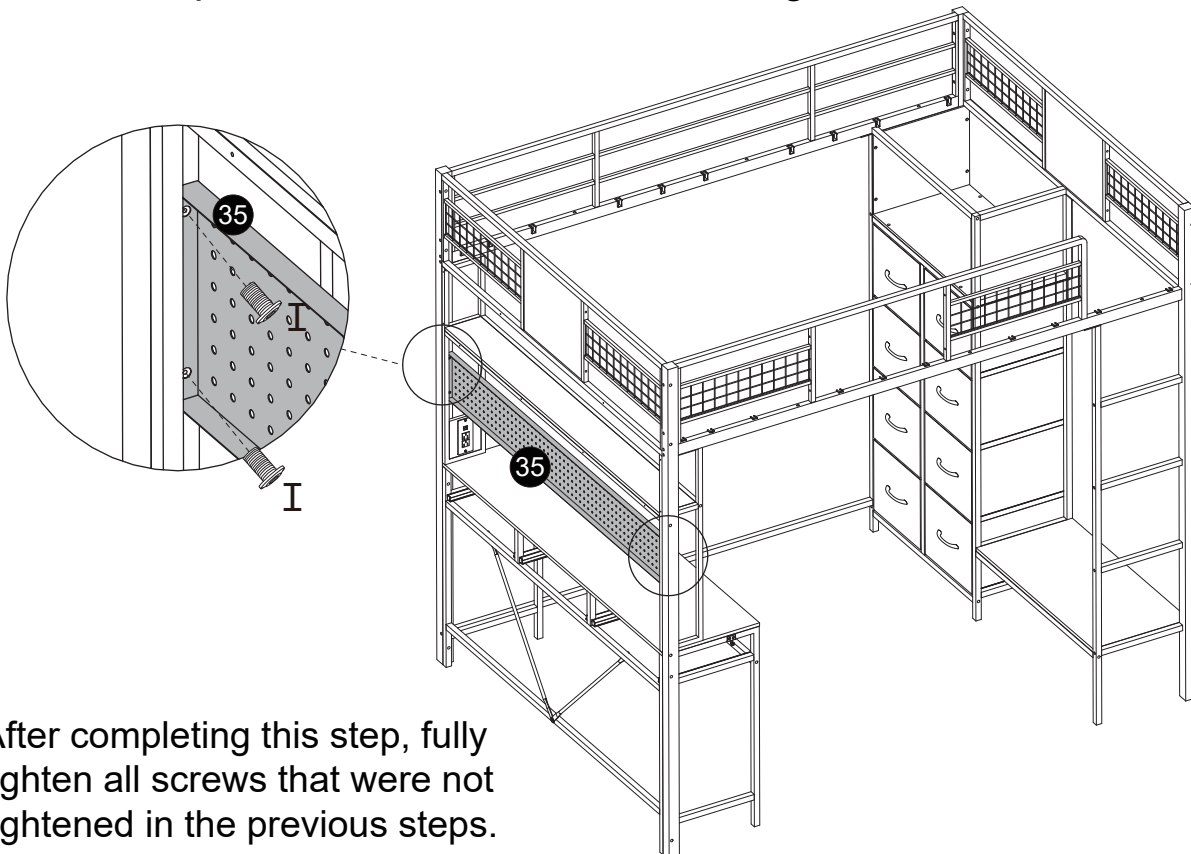
32



33

Place component 35 from the inside during installation.

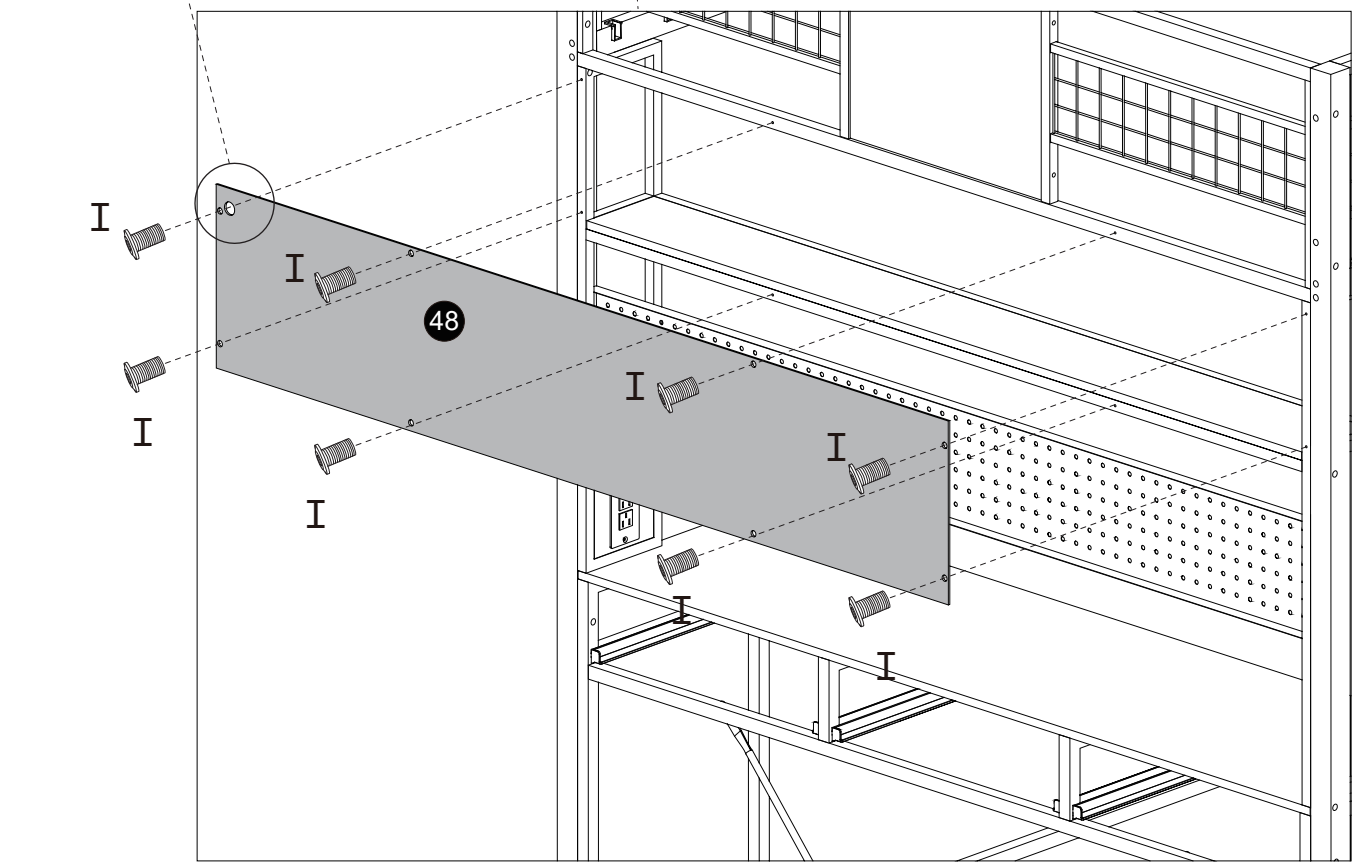
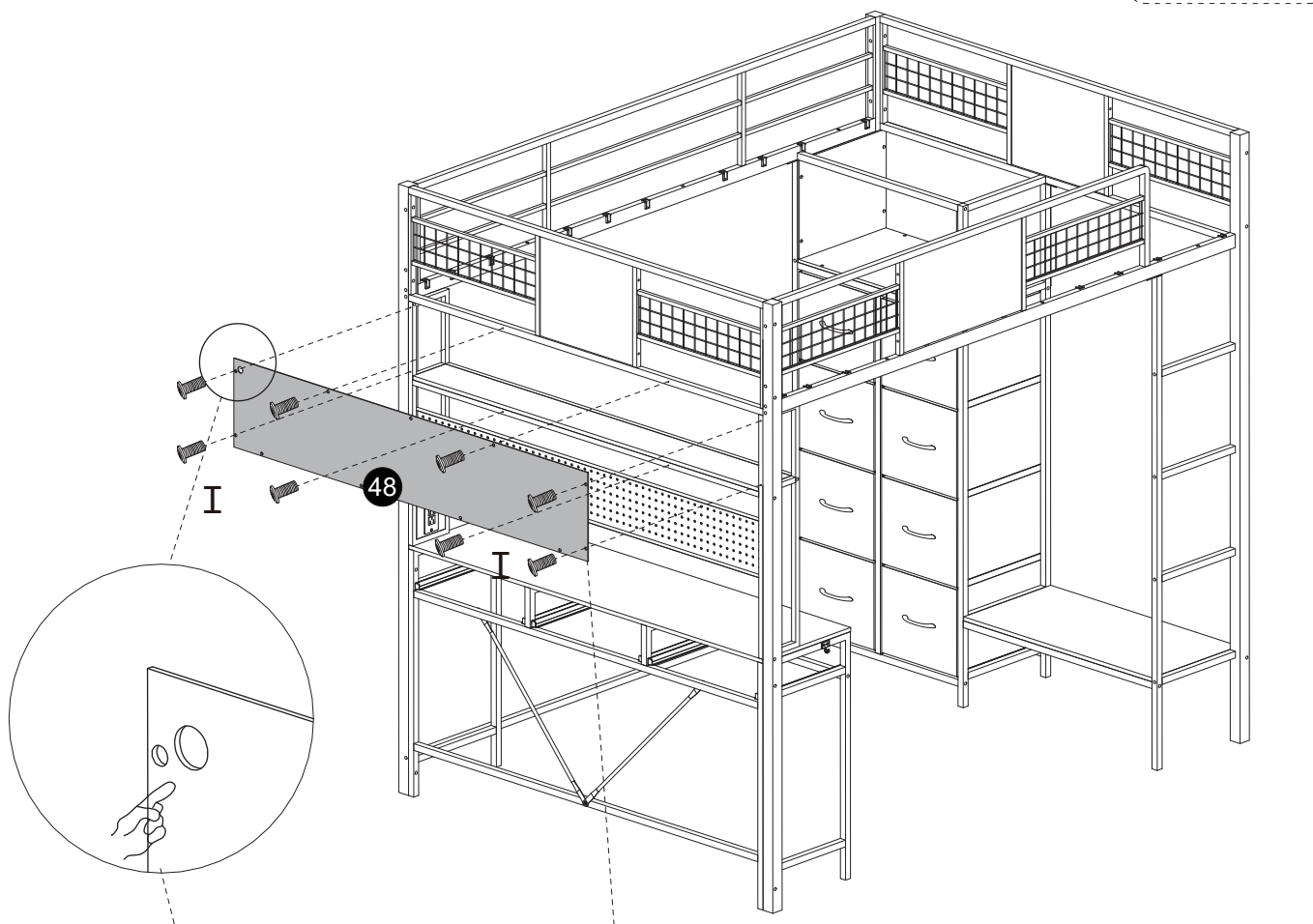
I M6*12 X4



Assembly Instruction

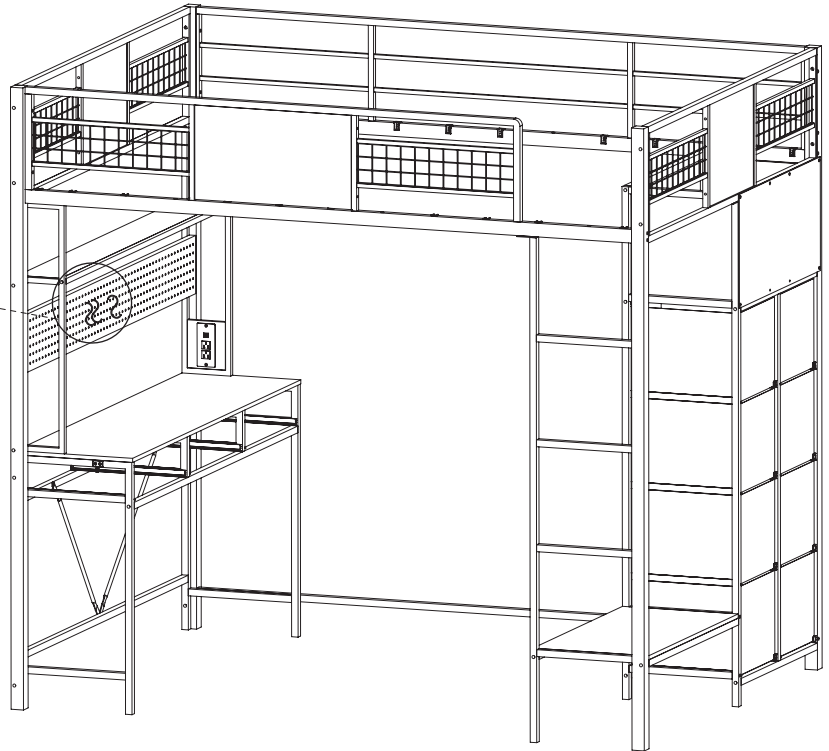
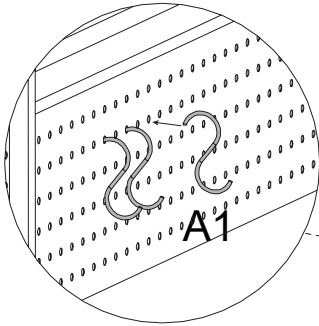
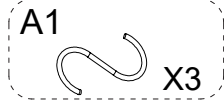
34

I M6*12
X8

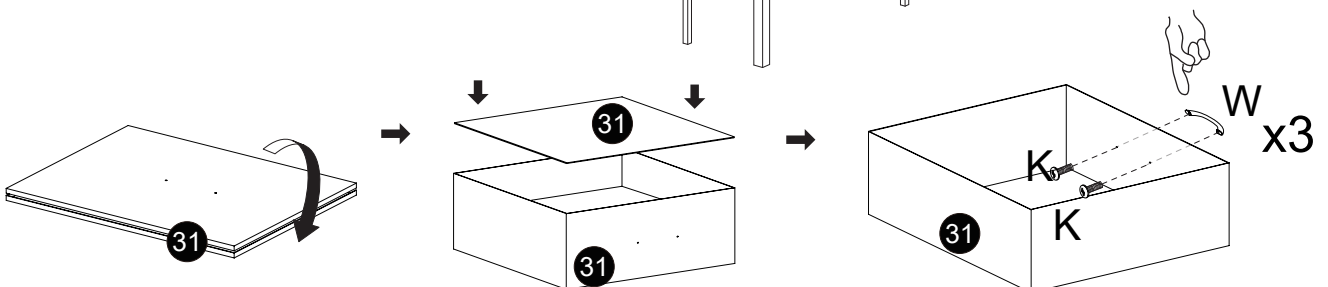
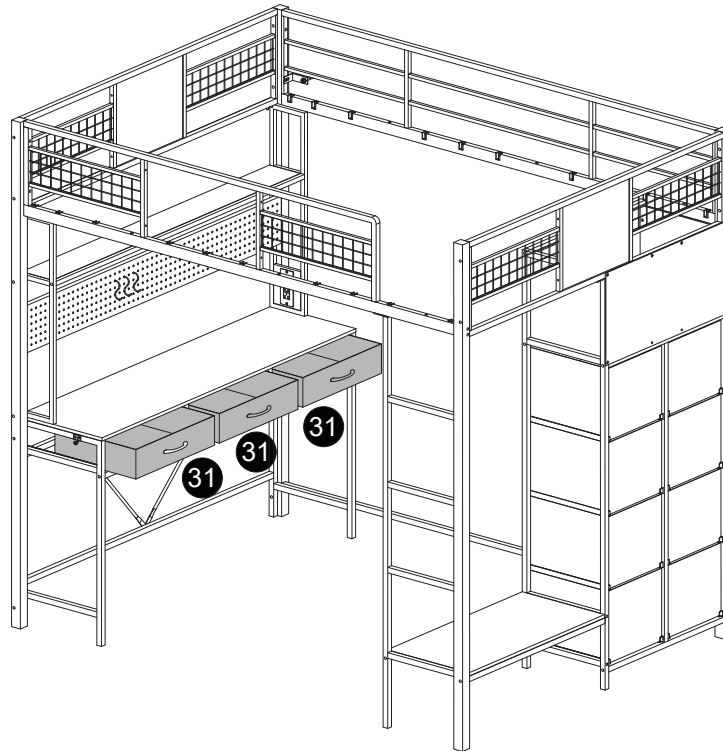


Assembly Instruction

35

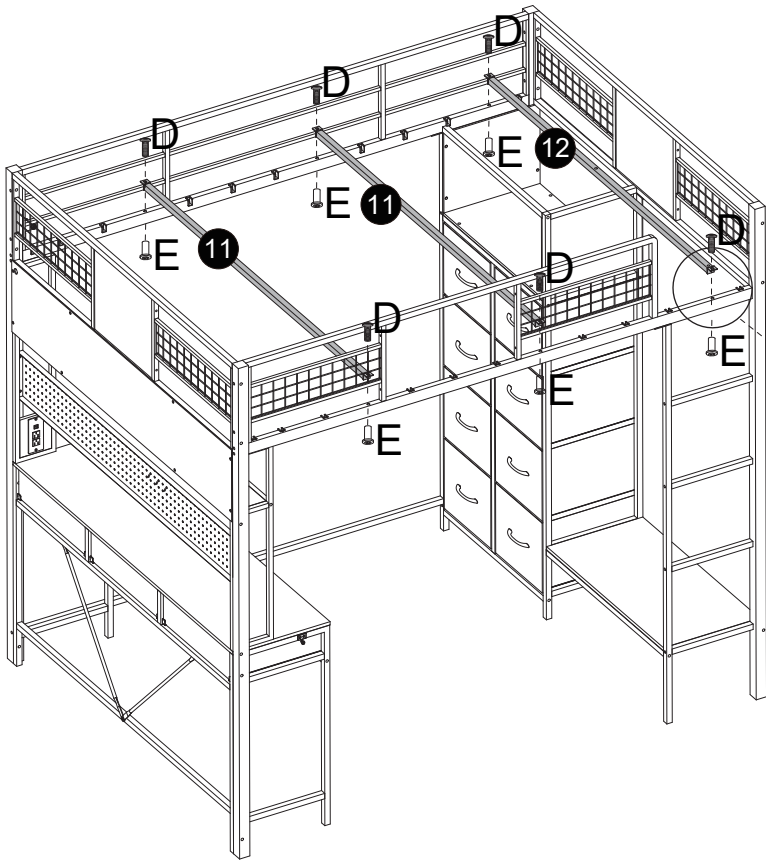


36



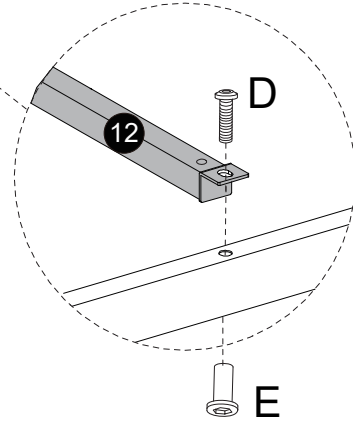
Assembly Instruction

37

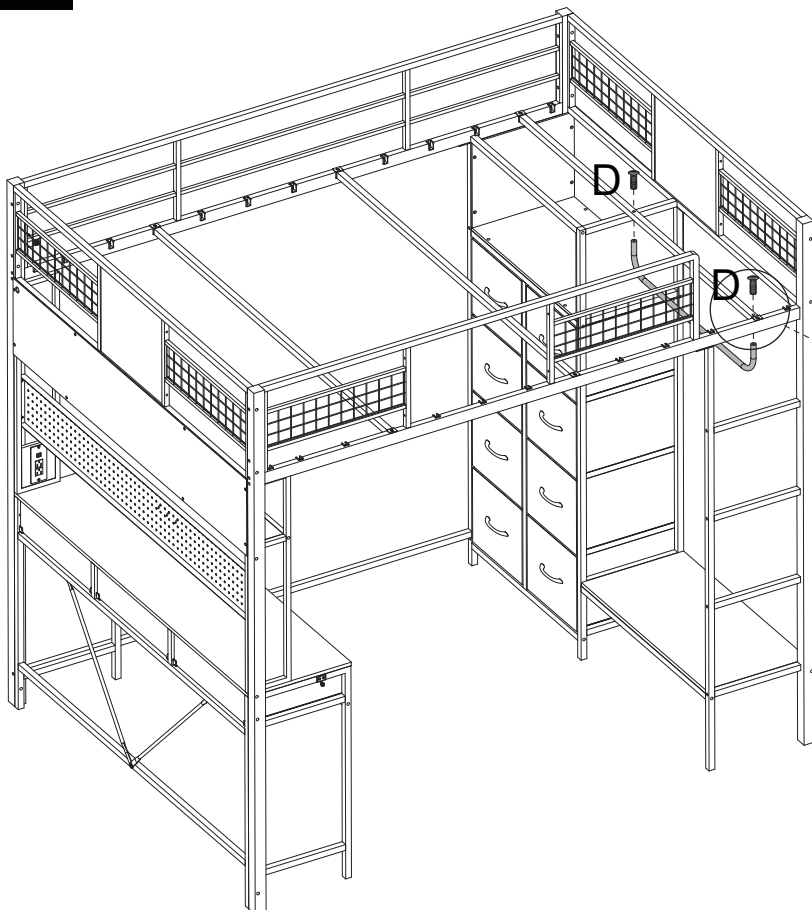


D M6*32
X6

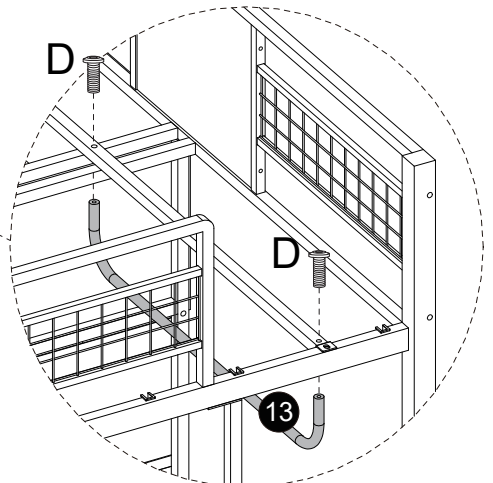
E M6*20
X6



38

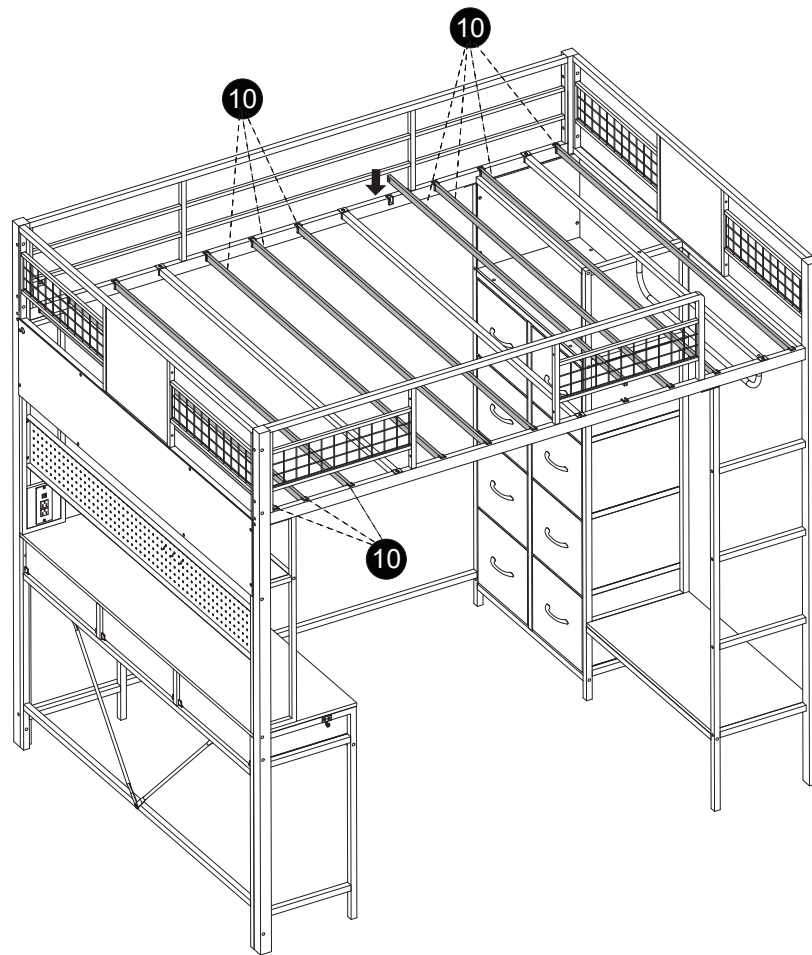


D M6*32
X2

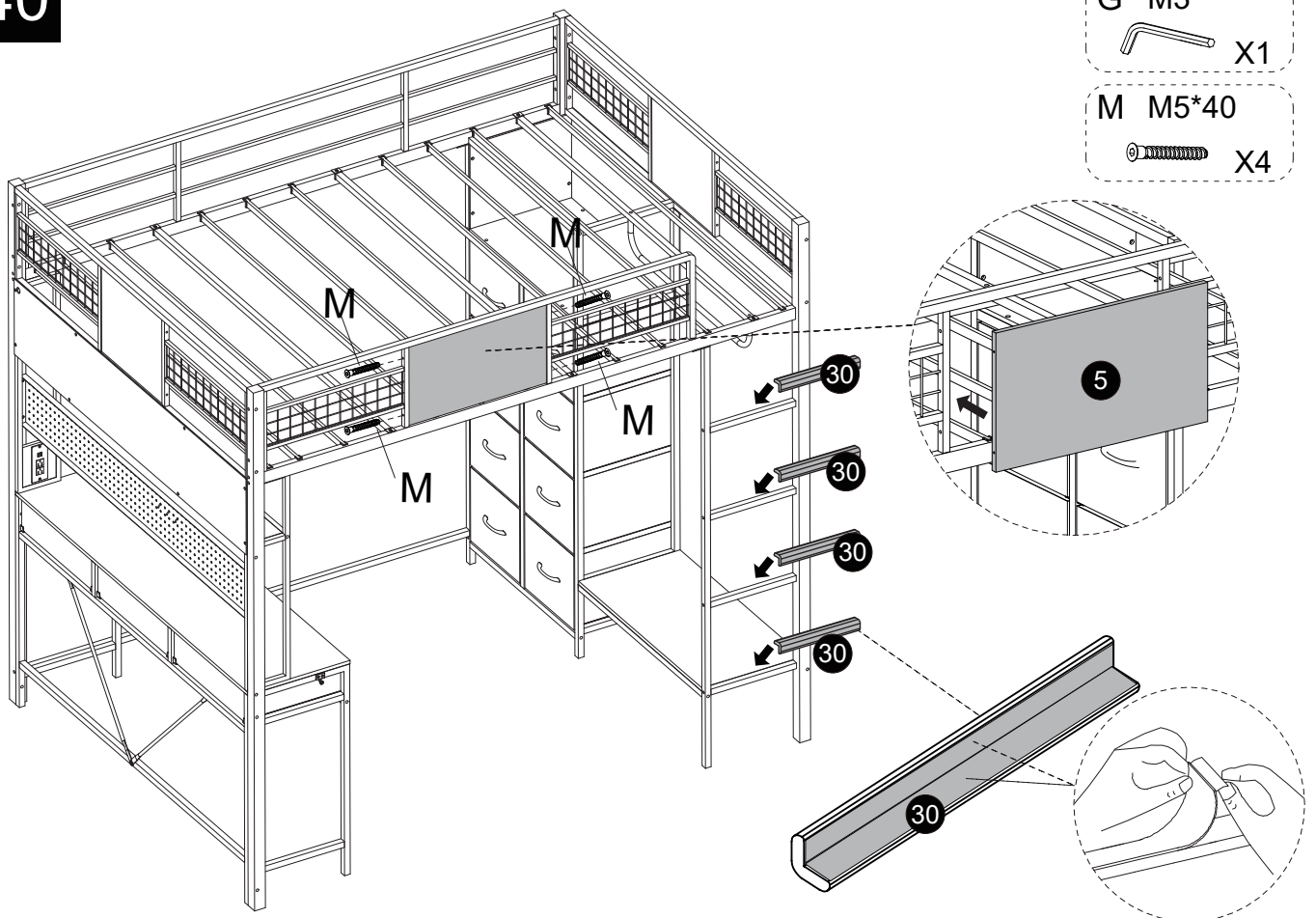


Assembly Instruction

39

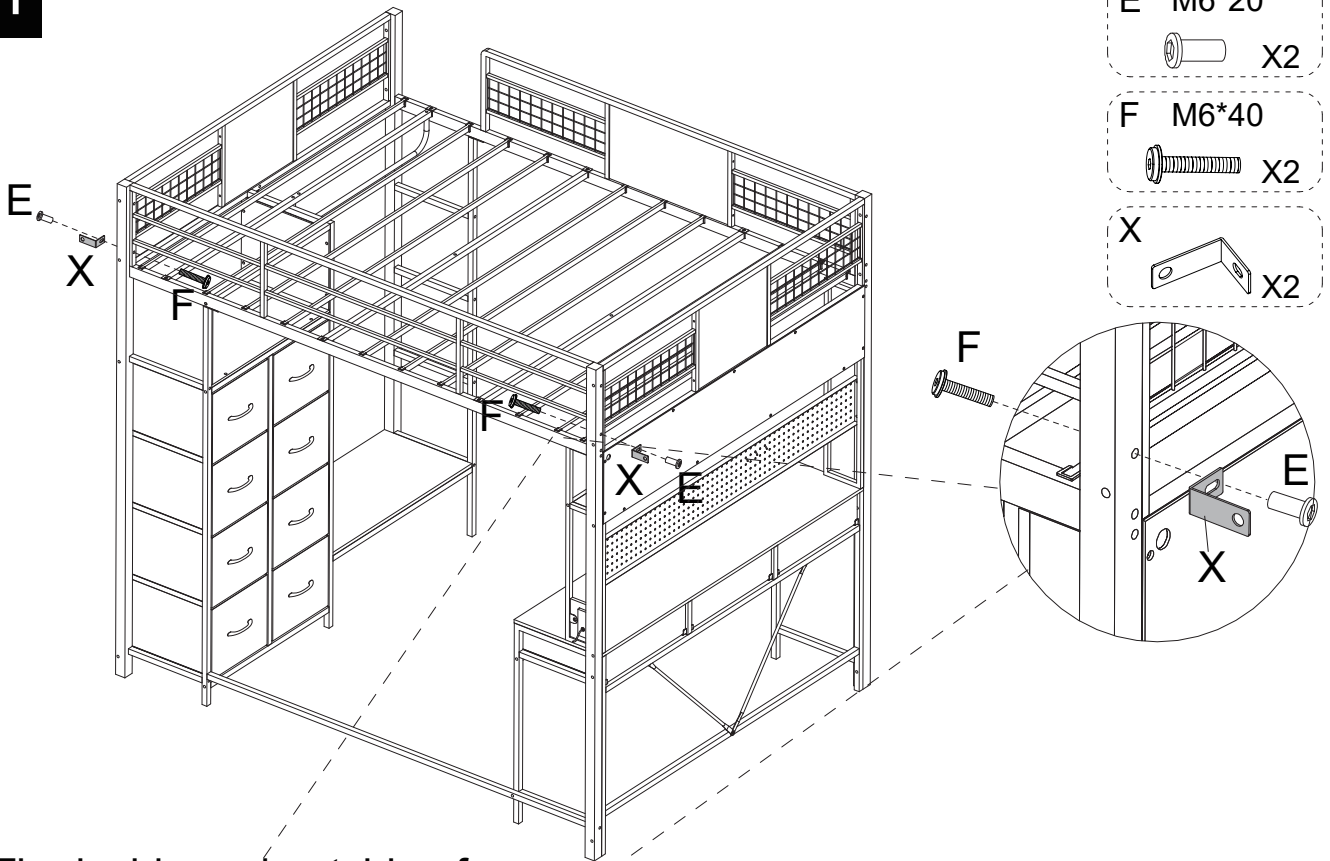


40



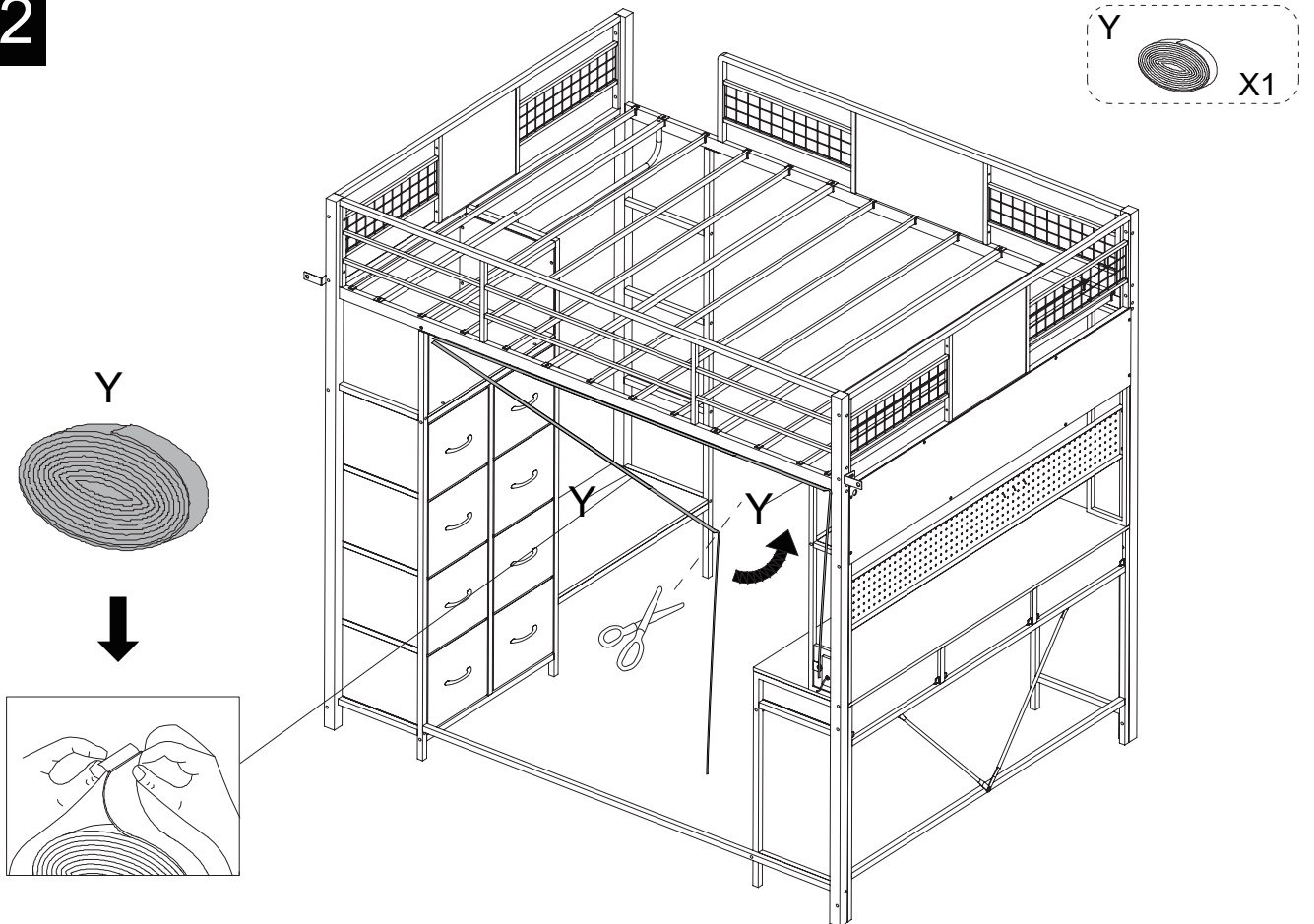
Assembly Instruction

41



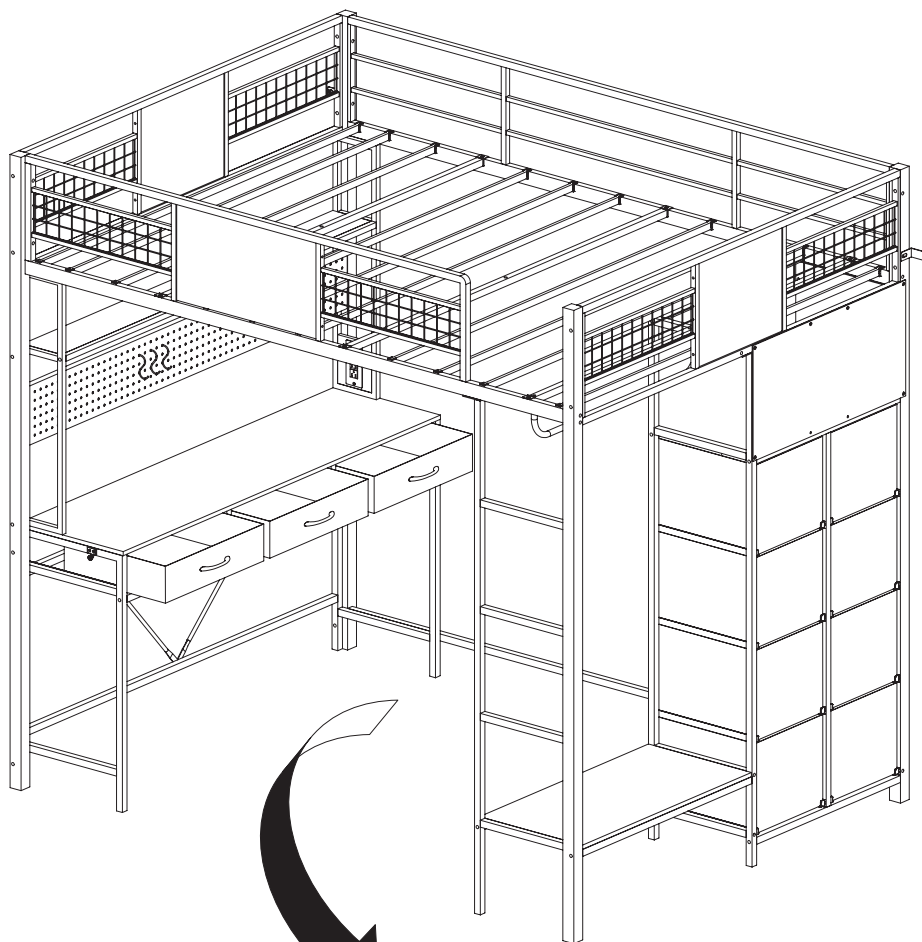
The inside and outside of the part (X) can be installed.

42



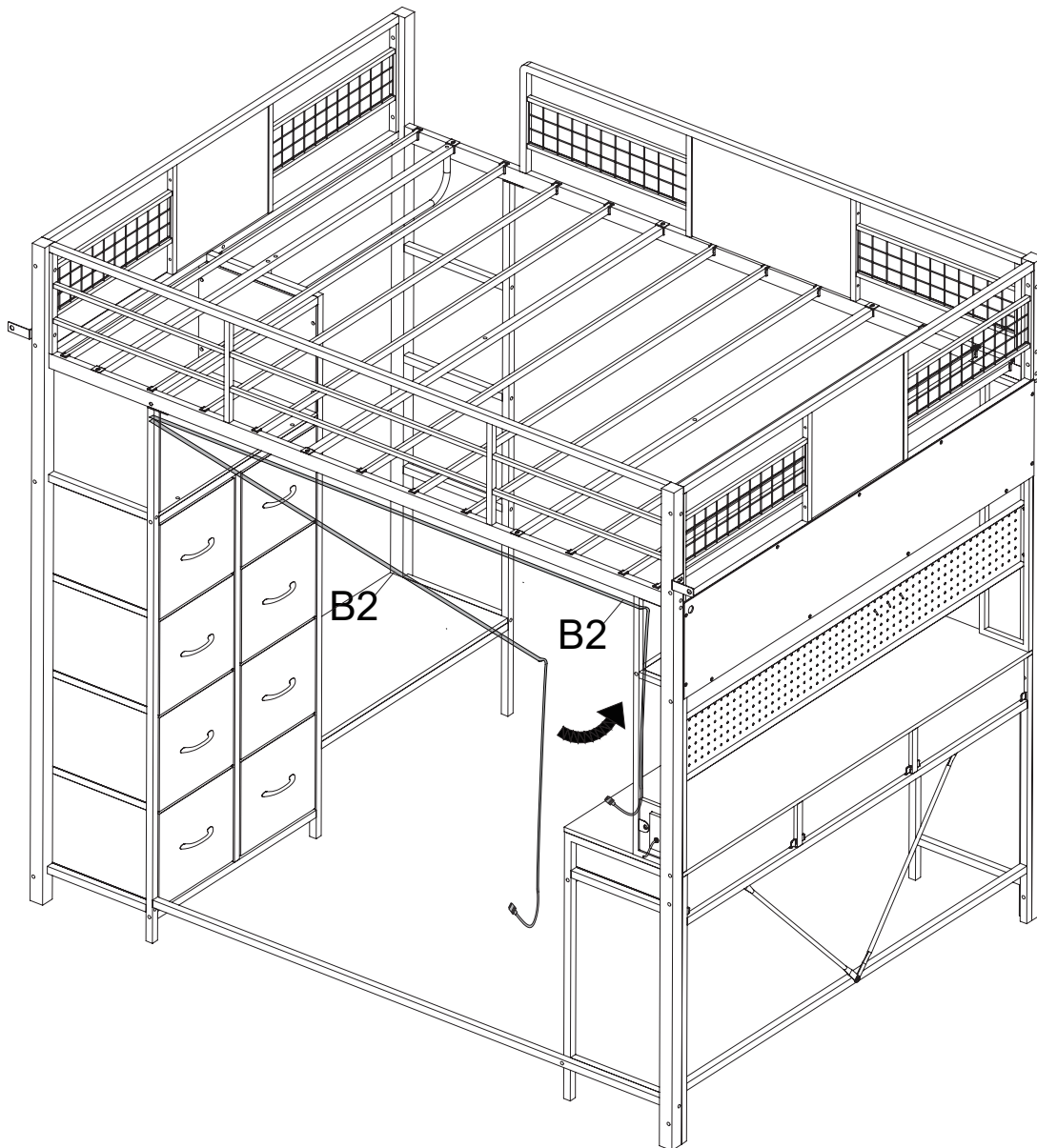
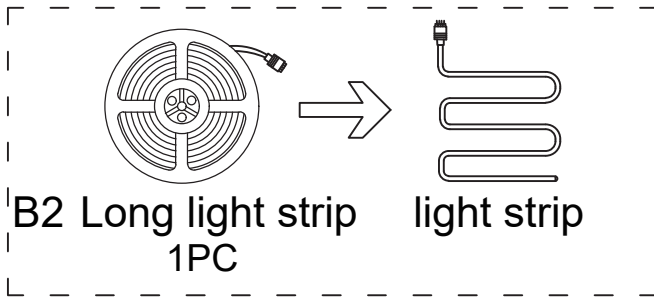
Assembly Instruction

43



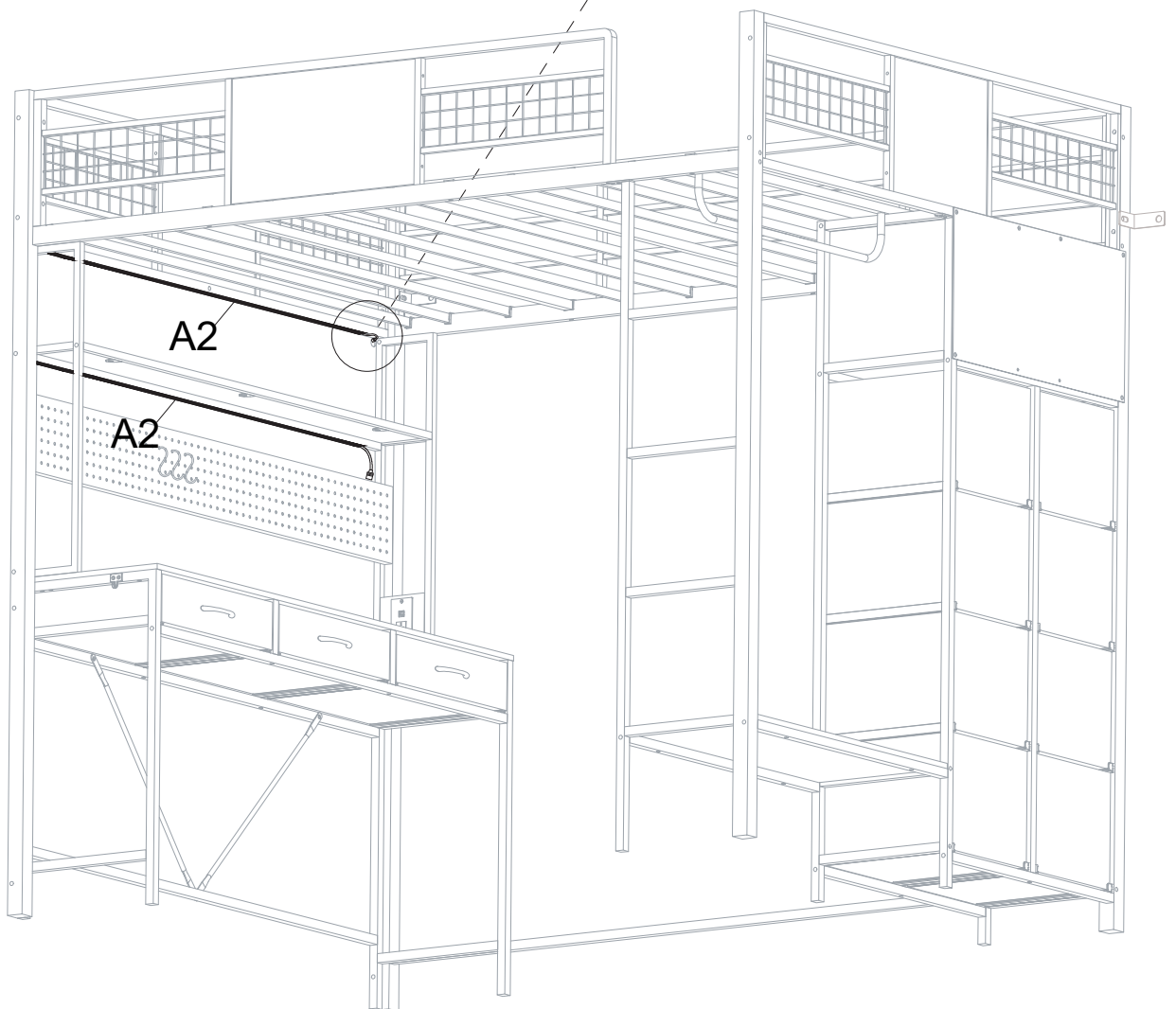
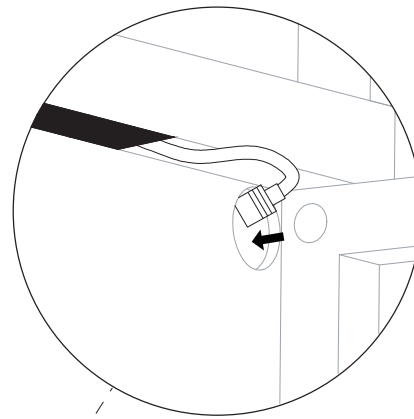
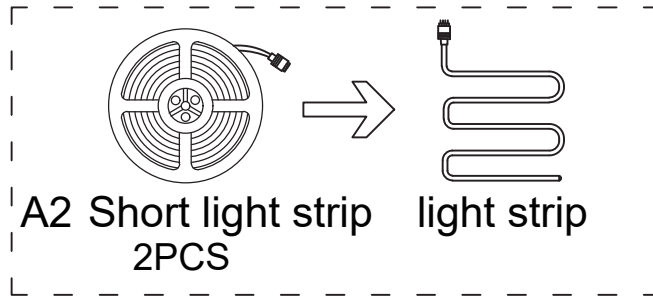
The perspective inside





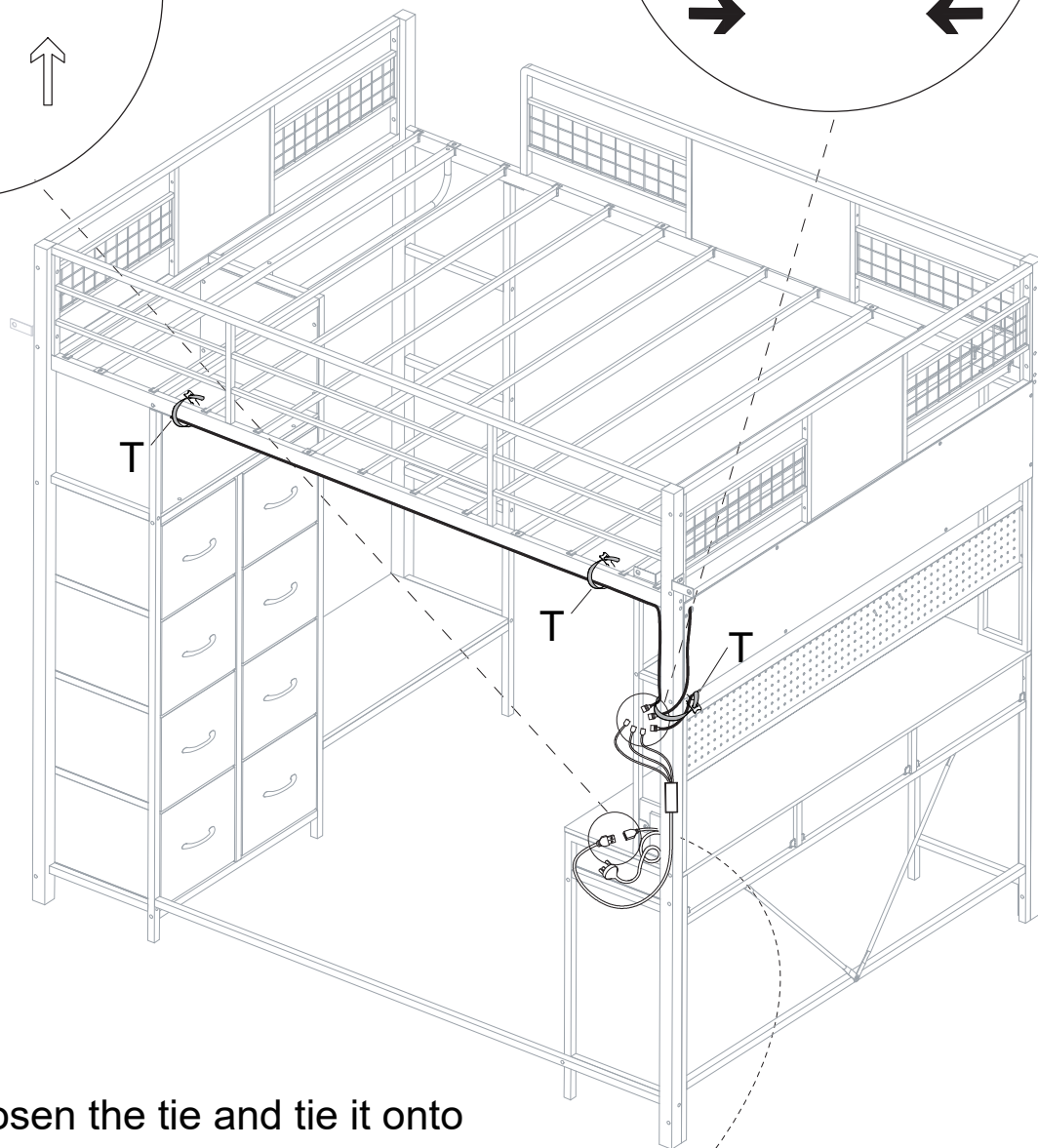
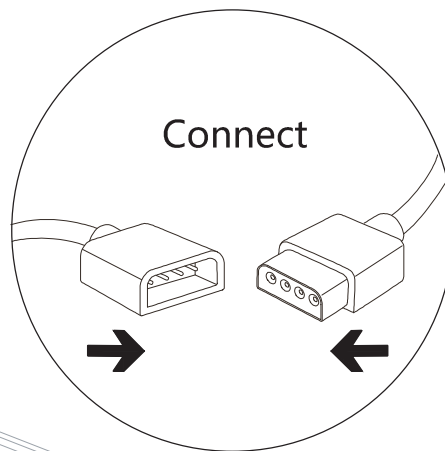
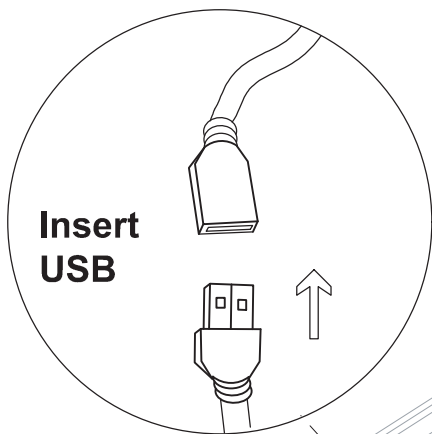
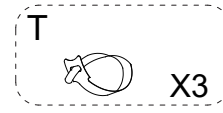
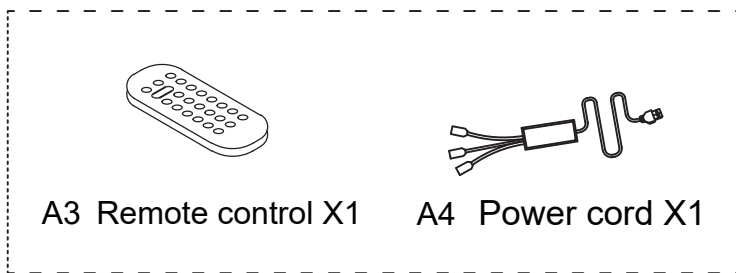
Assembly Instruction

45

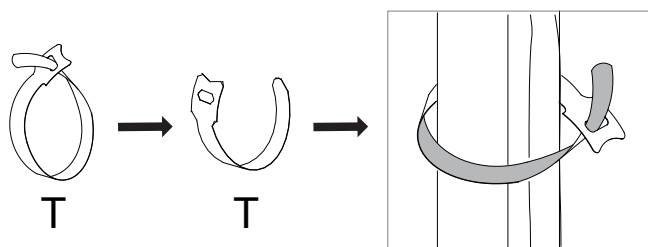


Assembly Instruction

46

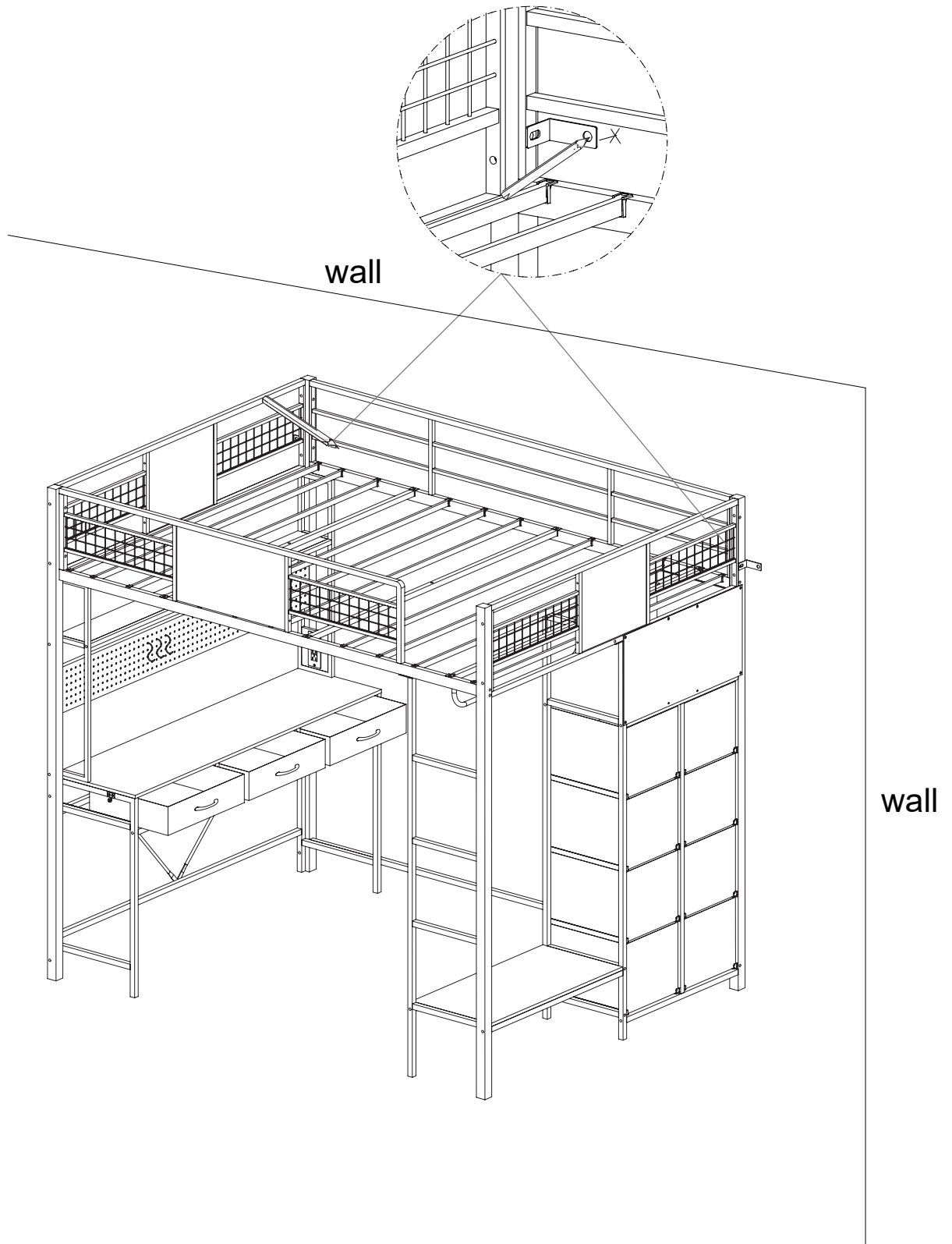


Please loosen the tie and tie it onto the iron pipe. As shown in the figure.



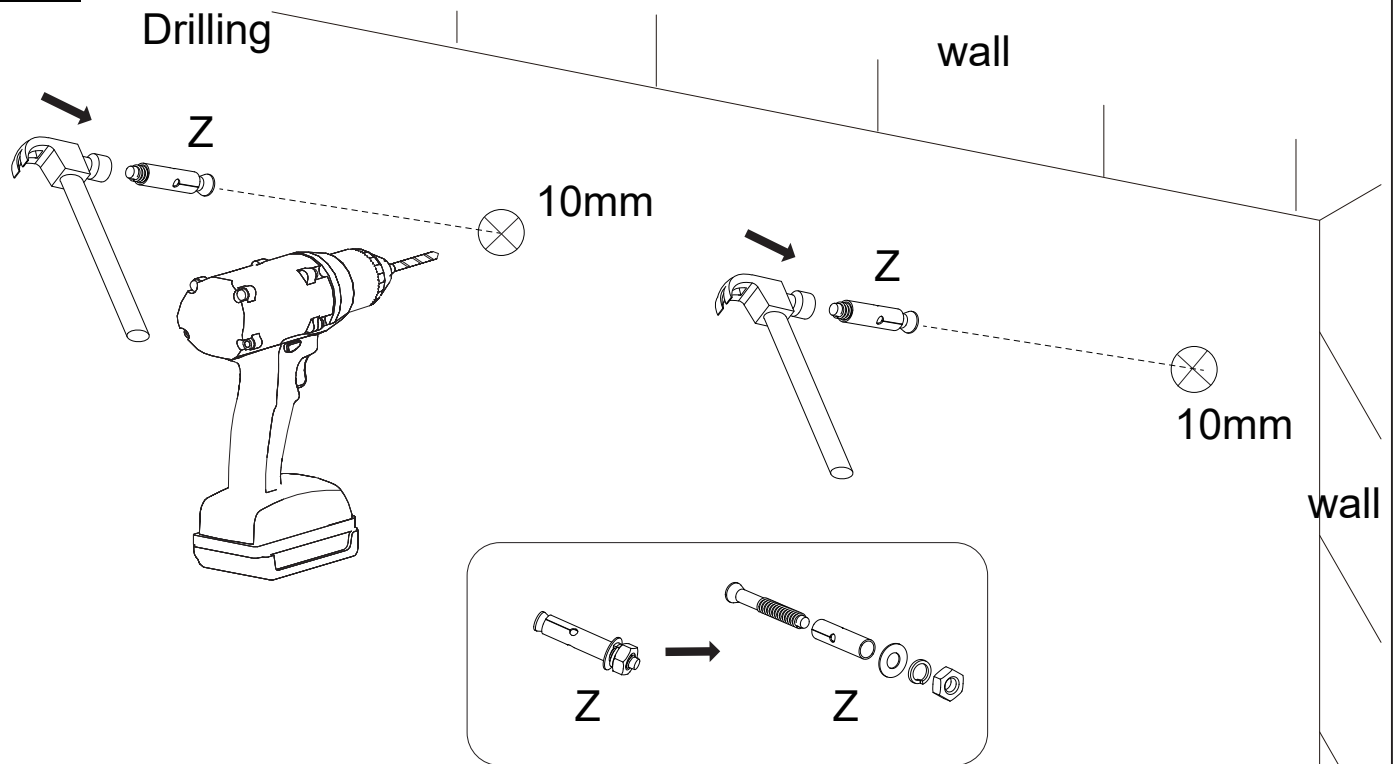
Assembly Instruction

47



Assembly Instruction

48



Please lock the expansion screw onto the wall.

49

