

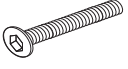

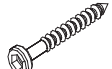







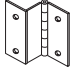







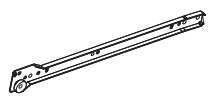
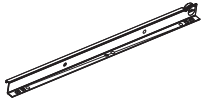
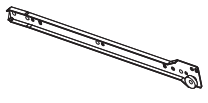
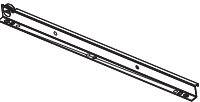

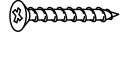

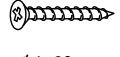
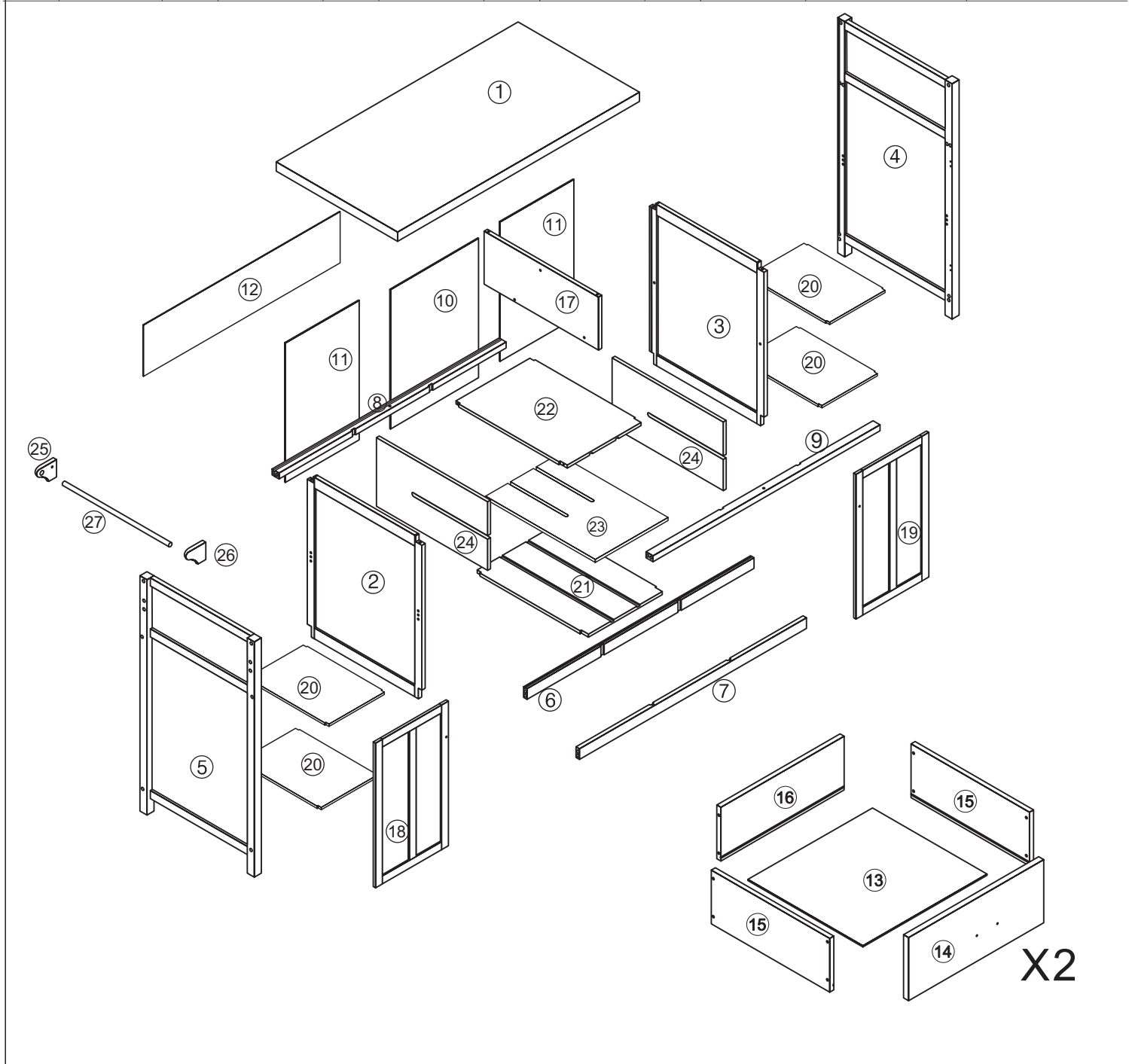


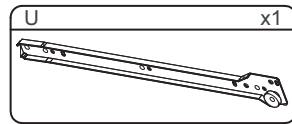
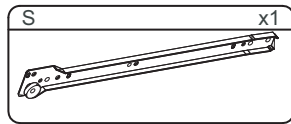
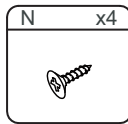
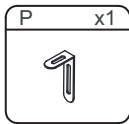
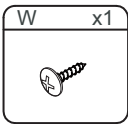
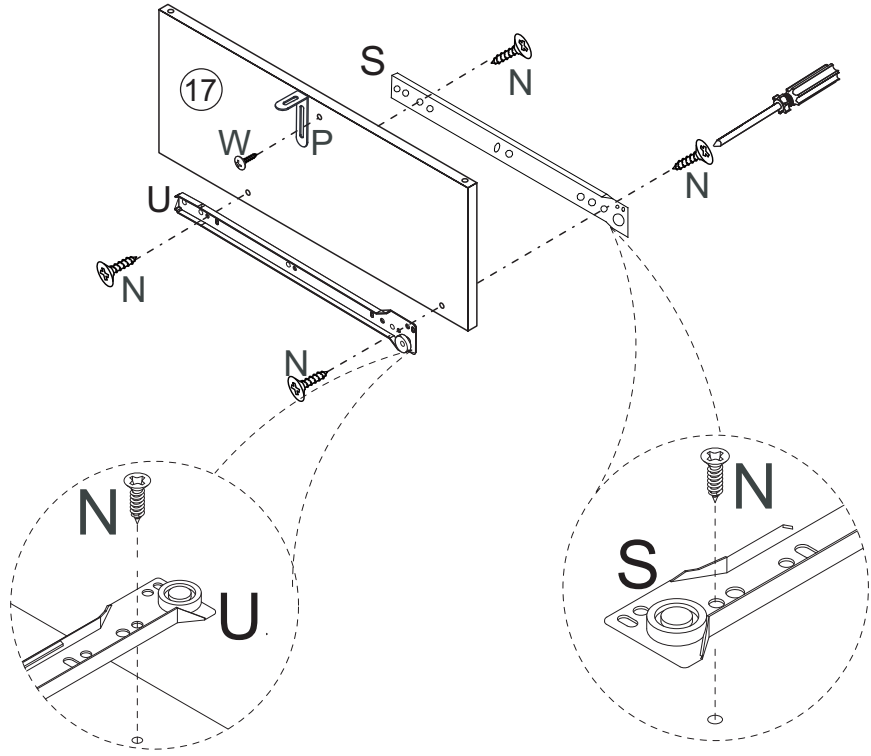
| | |
|---|---|
|  |  |
| 2 PERS. | 80 MIN |

ASSEMBLY INSTRUCTIONS

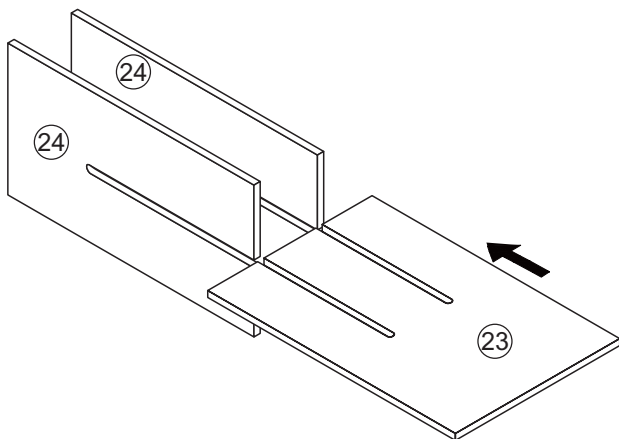
| | | | | | | |
|--|--|--|--|--|--|--|
|  Ø6x60mm |  |  Ø5x60mm |  |  |  |  |
| A 14pcs | B 16pcs | C 2pcs | D 18pcs | E 8pcs | F 2pcs | G 2pcs |
|  |  |  Ø4 x 22mm |  |  Ø3 X 14 mm |  Ø4 X 25mm |  Ø3 X 12mm |
| H 2pcs | I 2pcs | J 6pcs | K 4pcs | L 4pcs | M 16pcs | N 34pcs |
|  |  |  |  |  |  |  |
| O 1pc | P 1pc | Q 2pcs | R 2pcs | S 2pcs | T 2pcs | U 2pcs |
|  |  Ø4 x 12mm |  Ø4x40mm |  Ø6x40mm |  Ø4x60mm | | |
| V 2pcs | W 2pcs | X 2pcs | Y 2pcs | Z 2pcs | | |



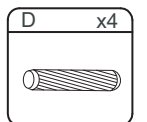
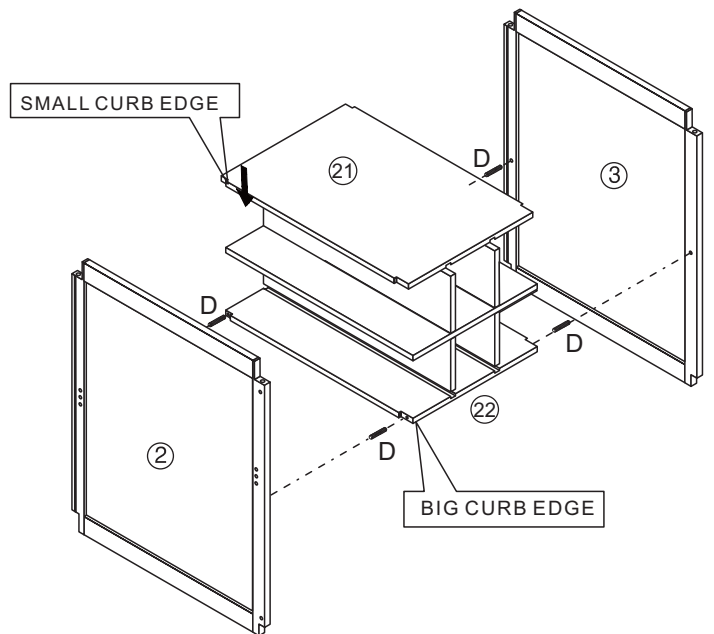
STEP 1



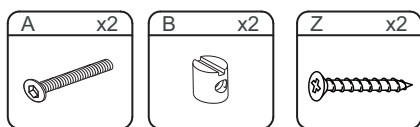
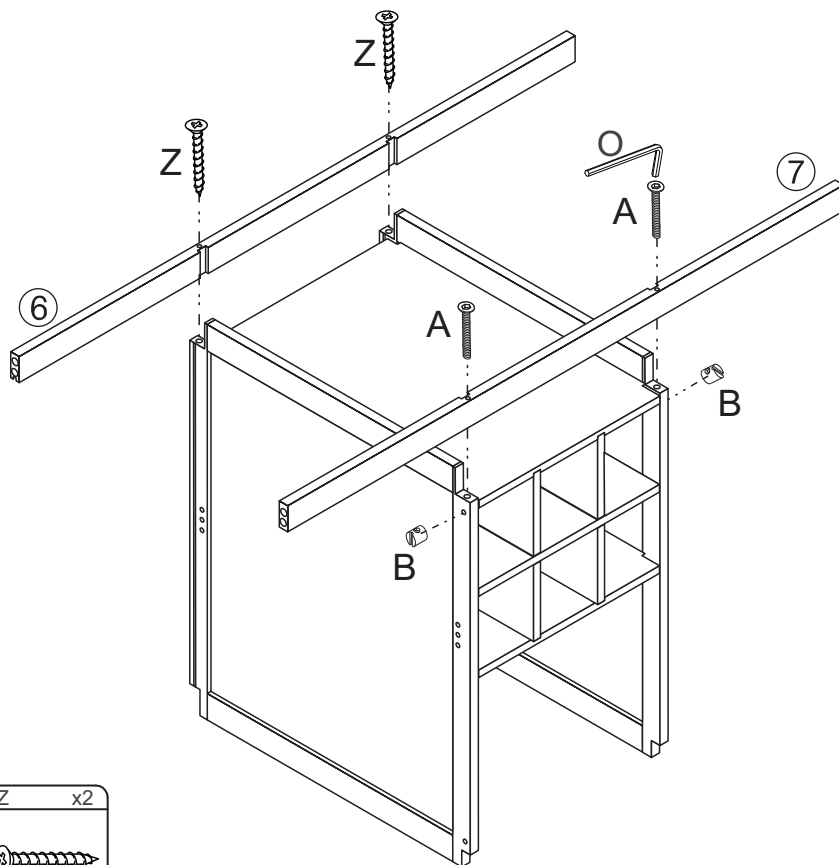
STEP 2



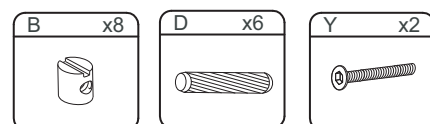
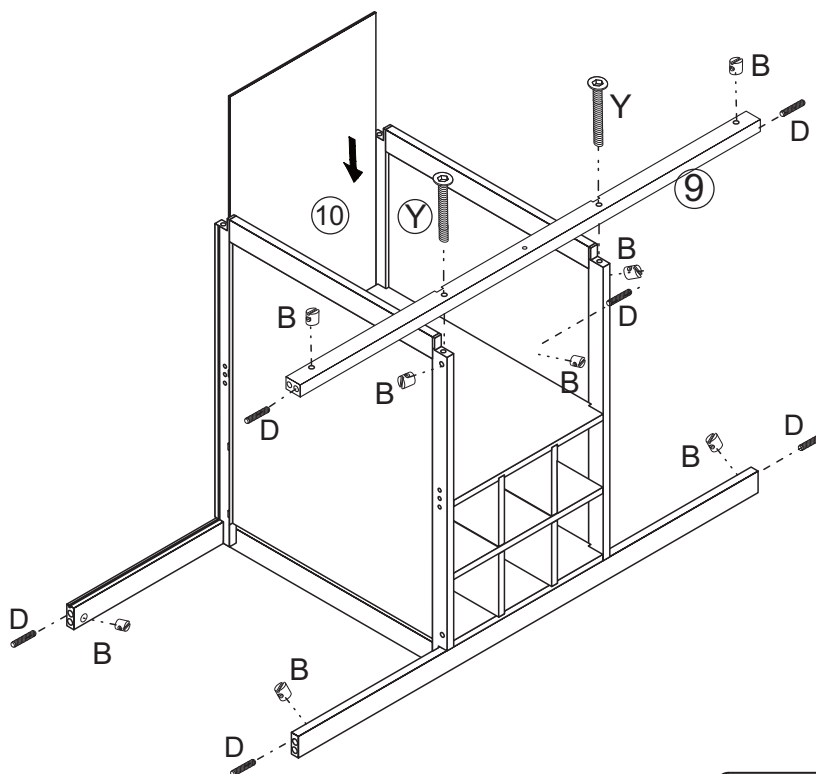
STEP 3



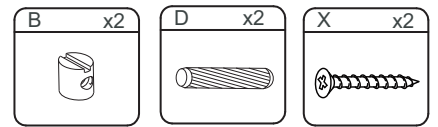
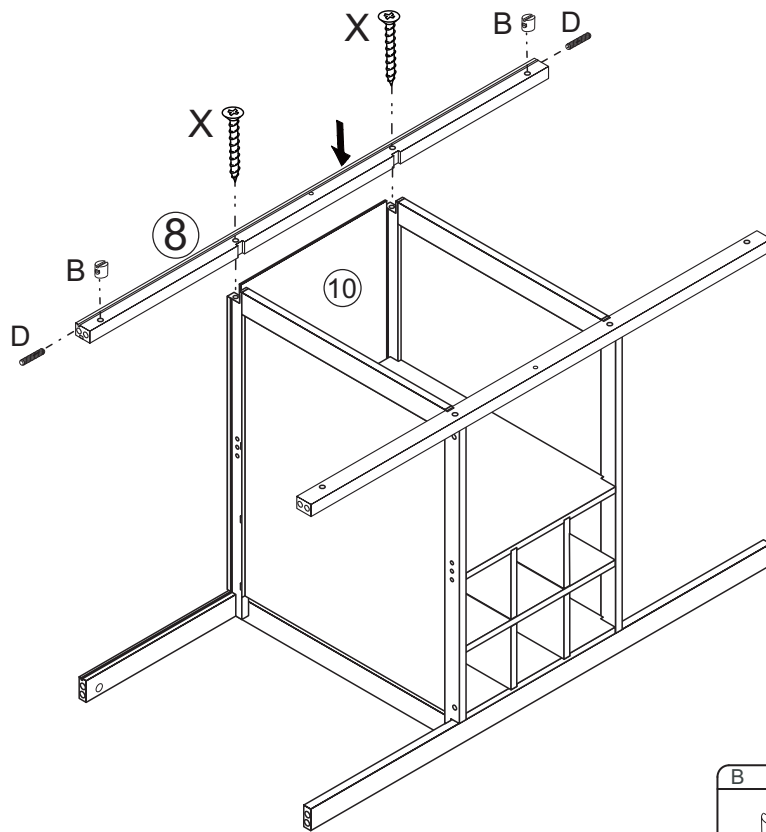
STEP 4



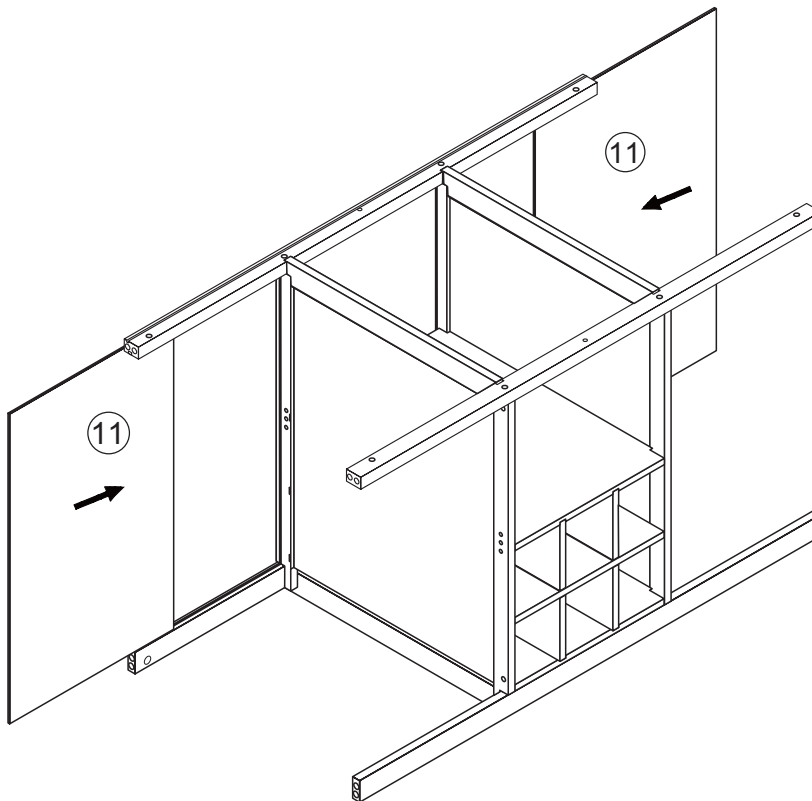
STEP 5



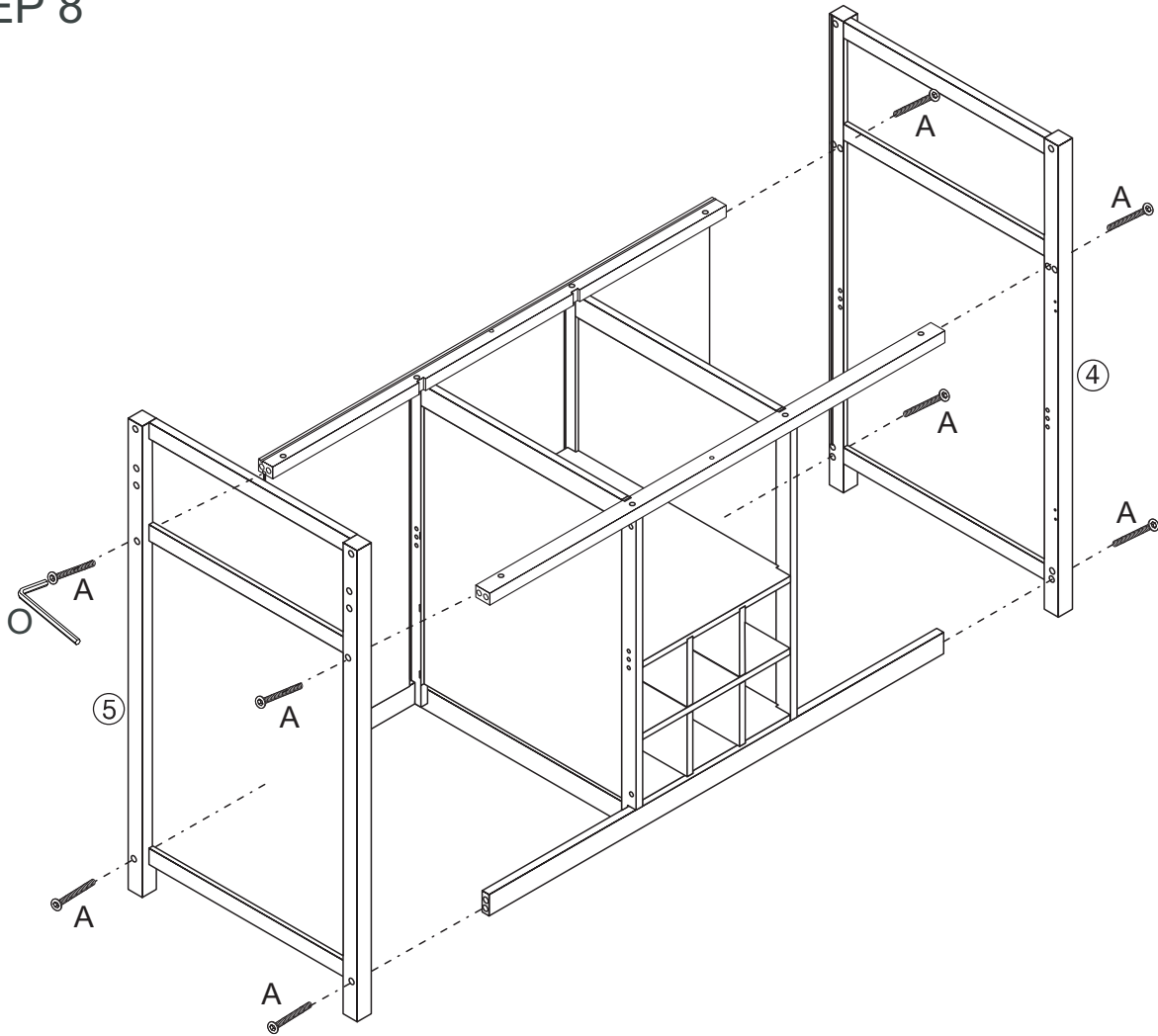
STEP 6



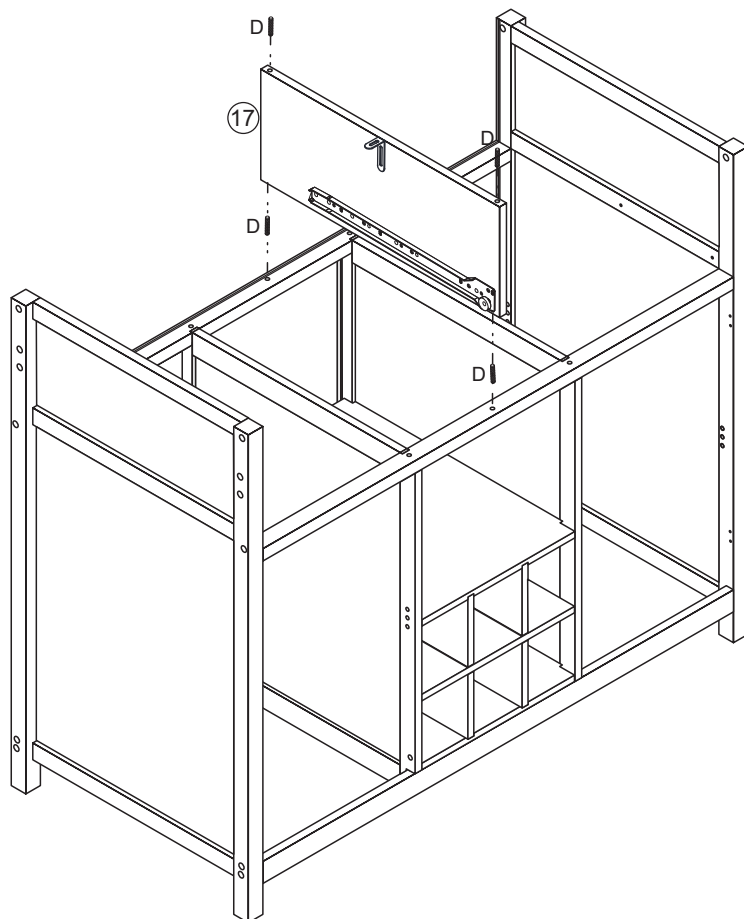
STEP 7



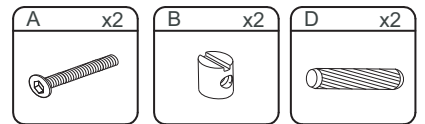
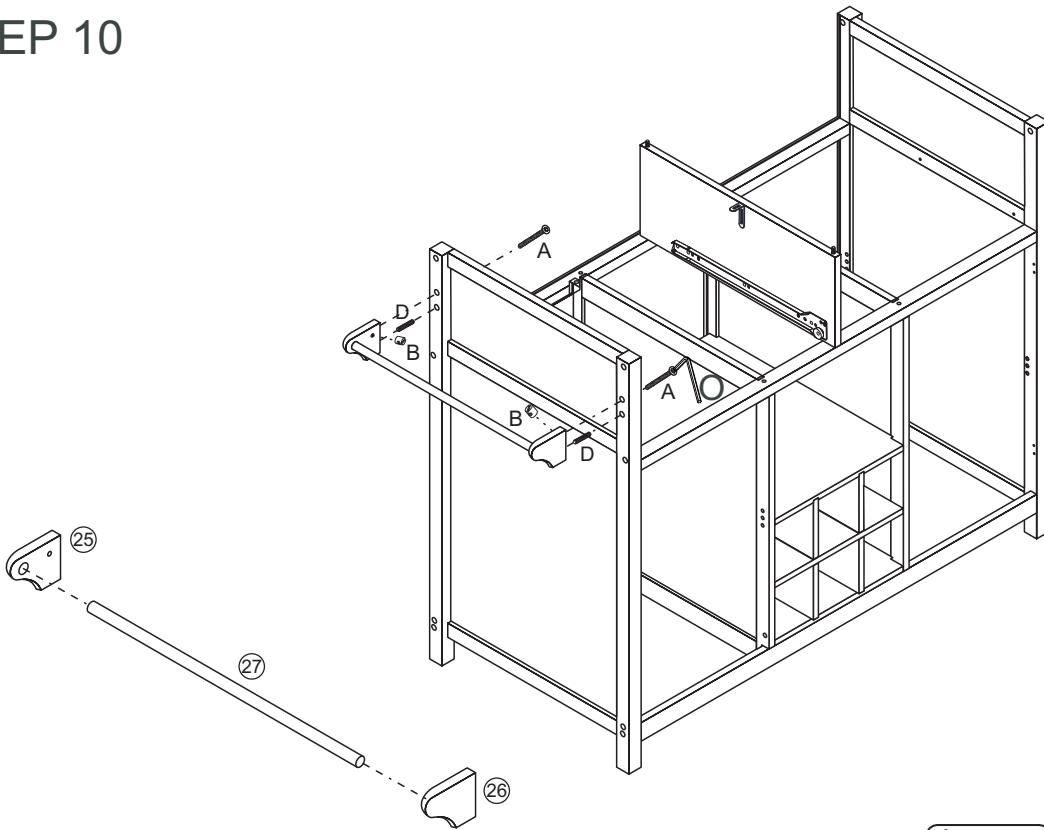
STEP 8



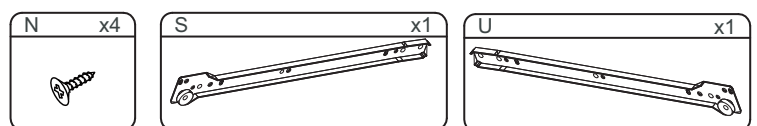
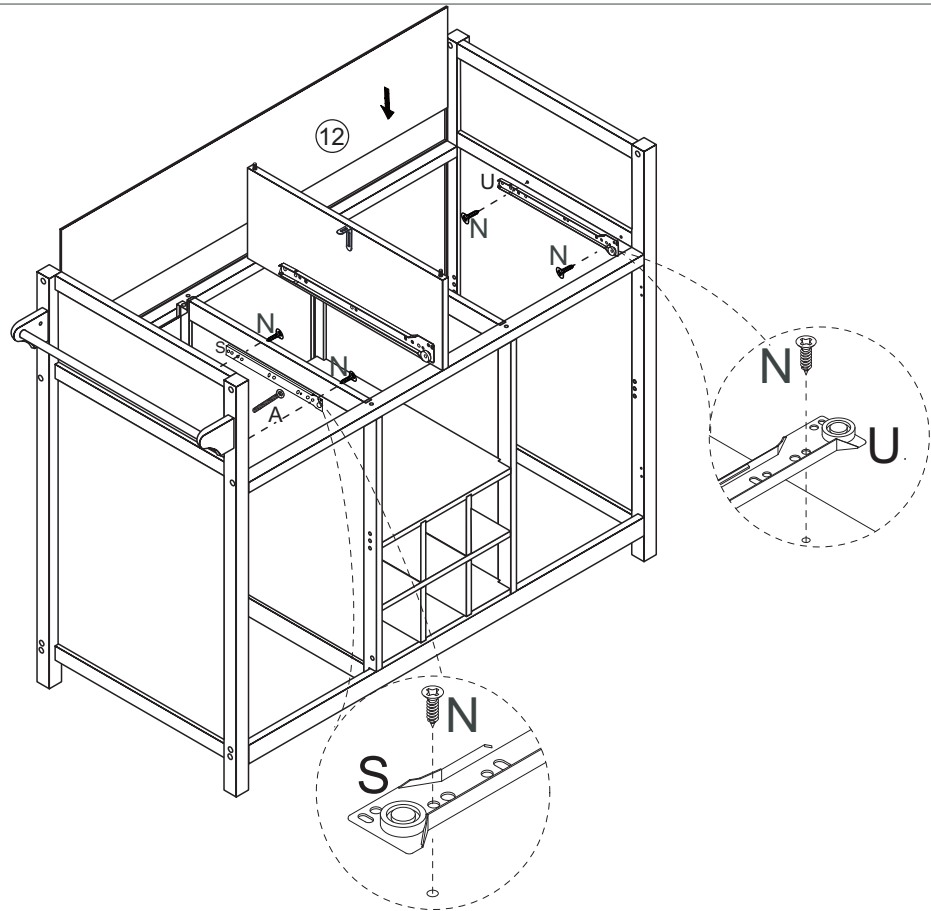
STEP 9



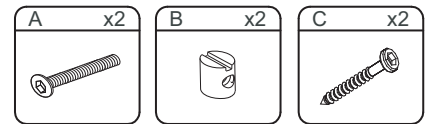
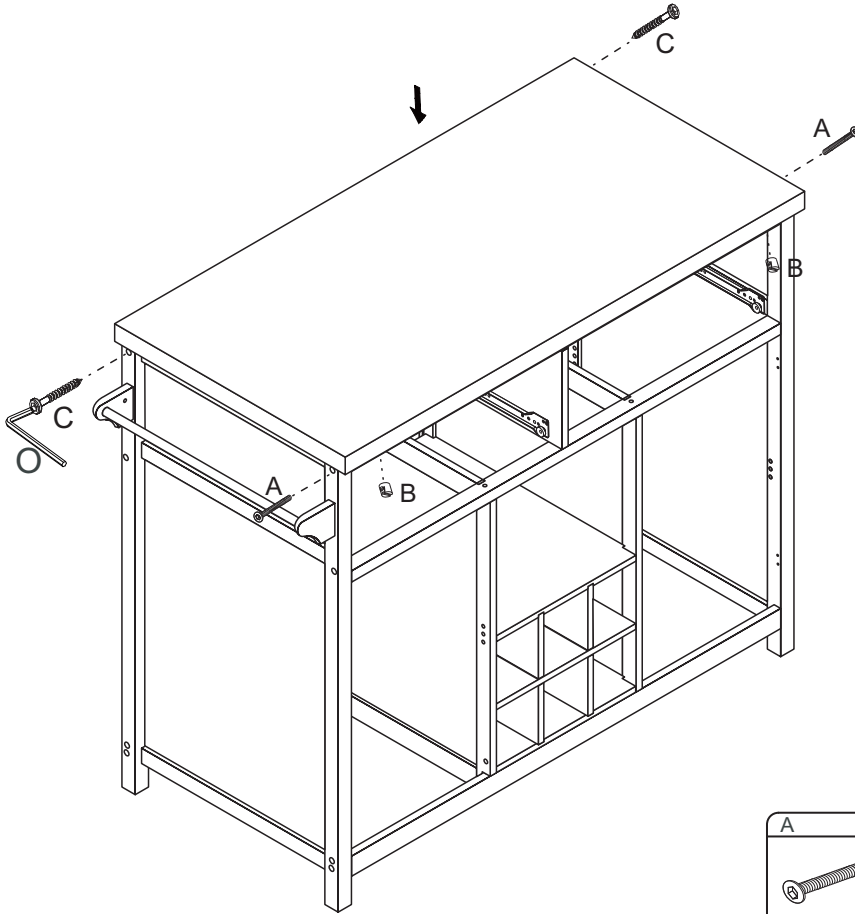
STEP 10



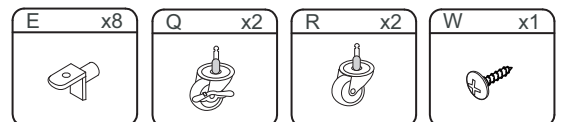
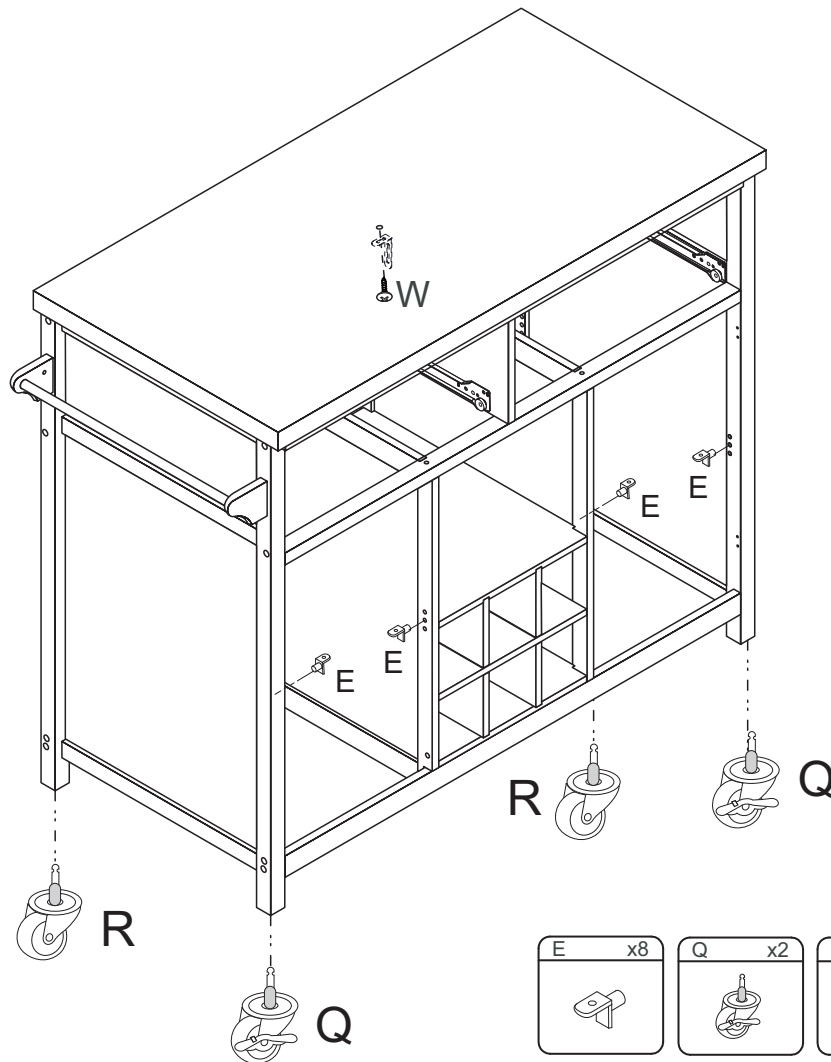
STEP 11



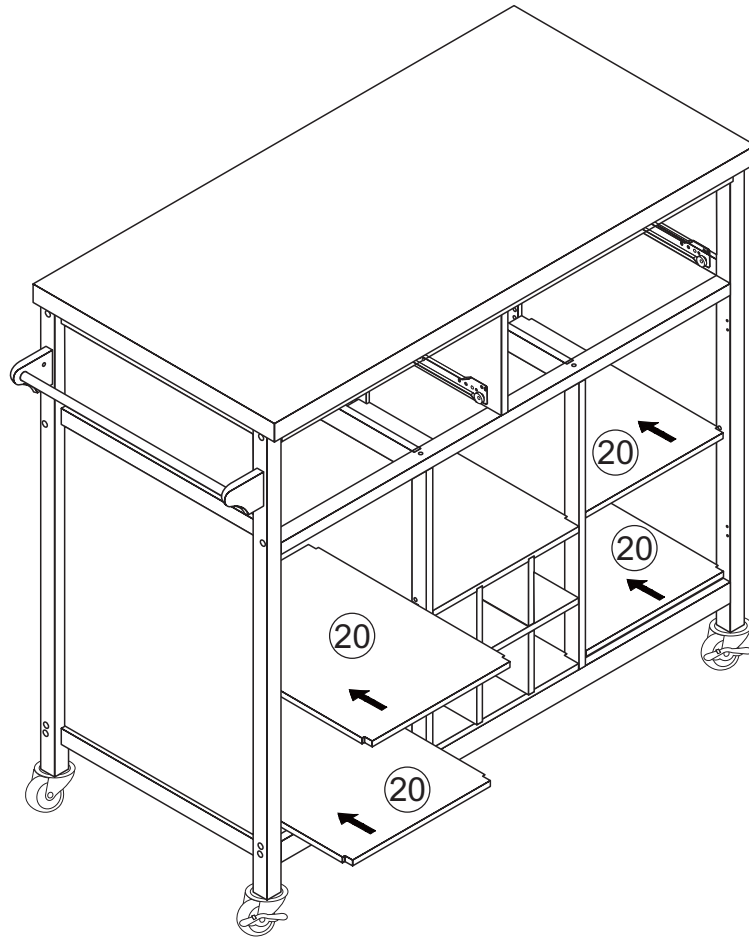
STEP 12



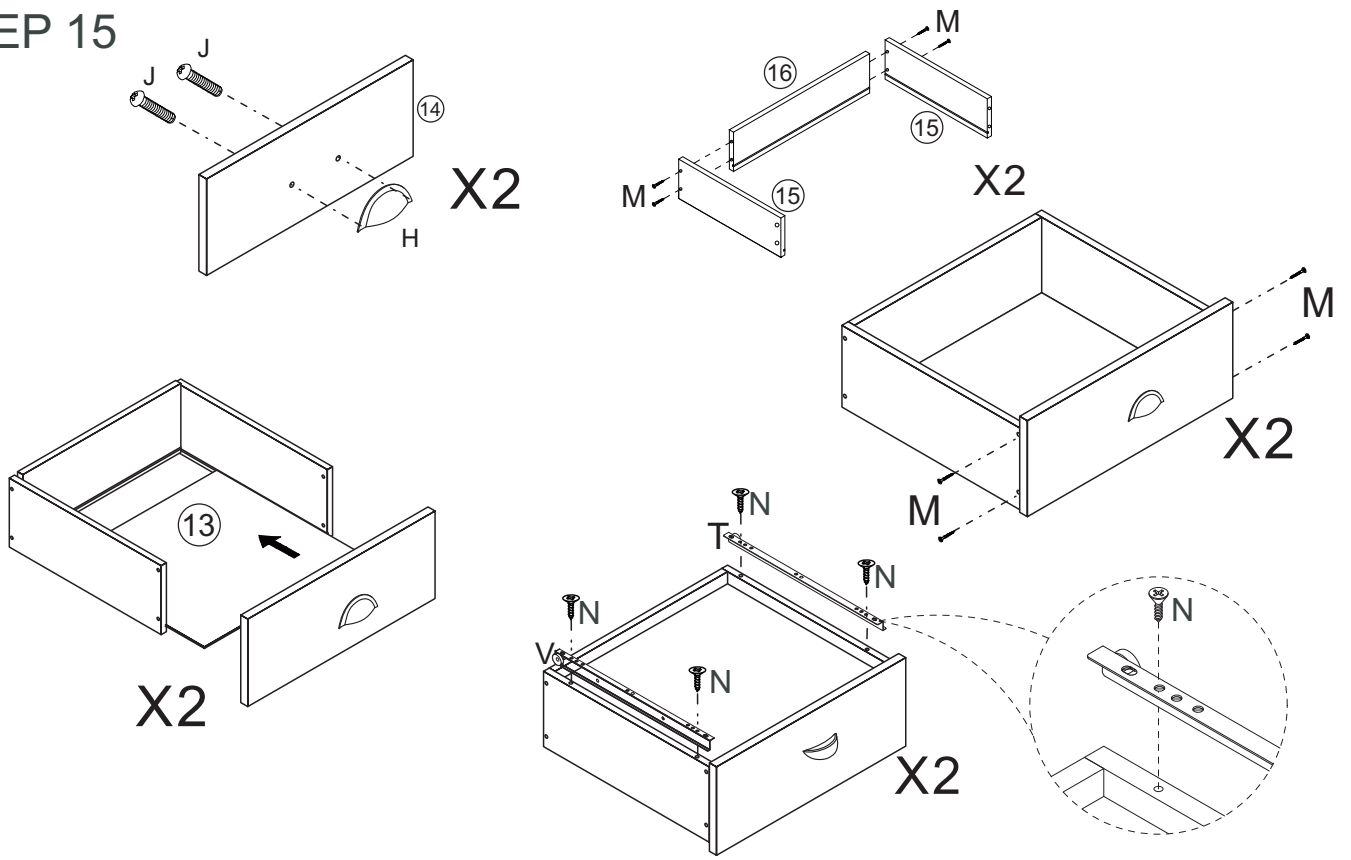
STEP 13



STEP 14

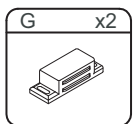
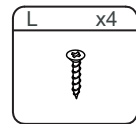
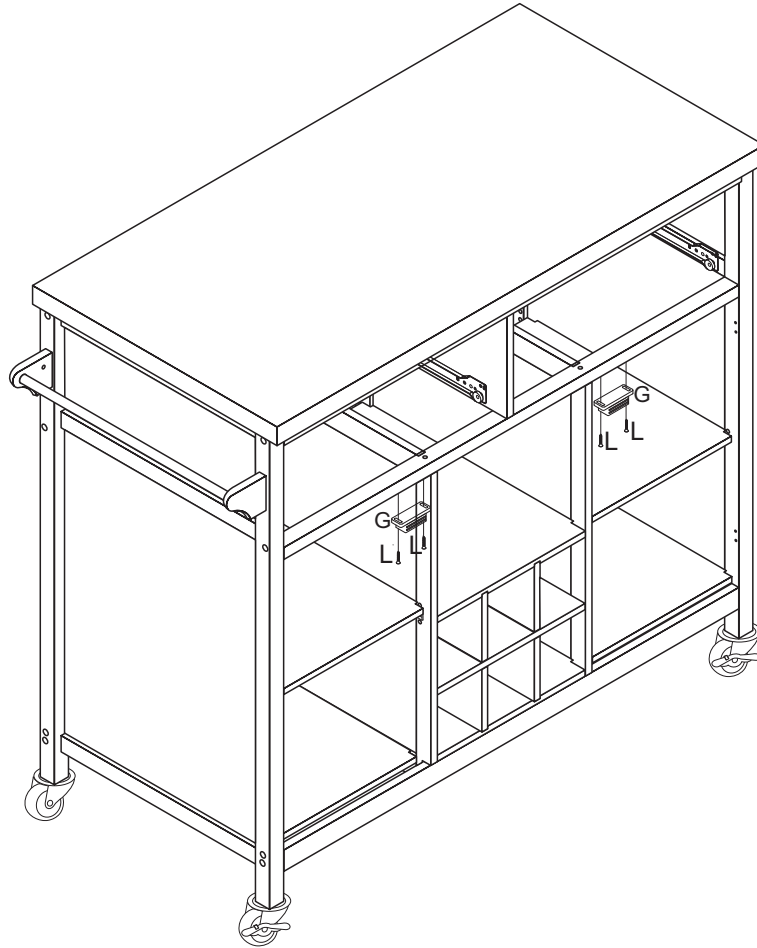


STEP 15

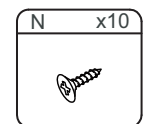
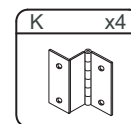
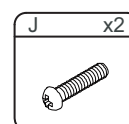
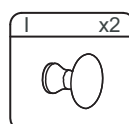
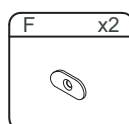
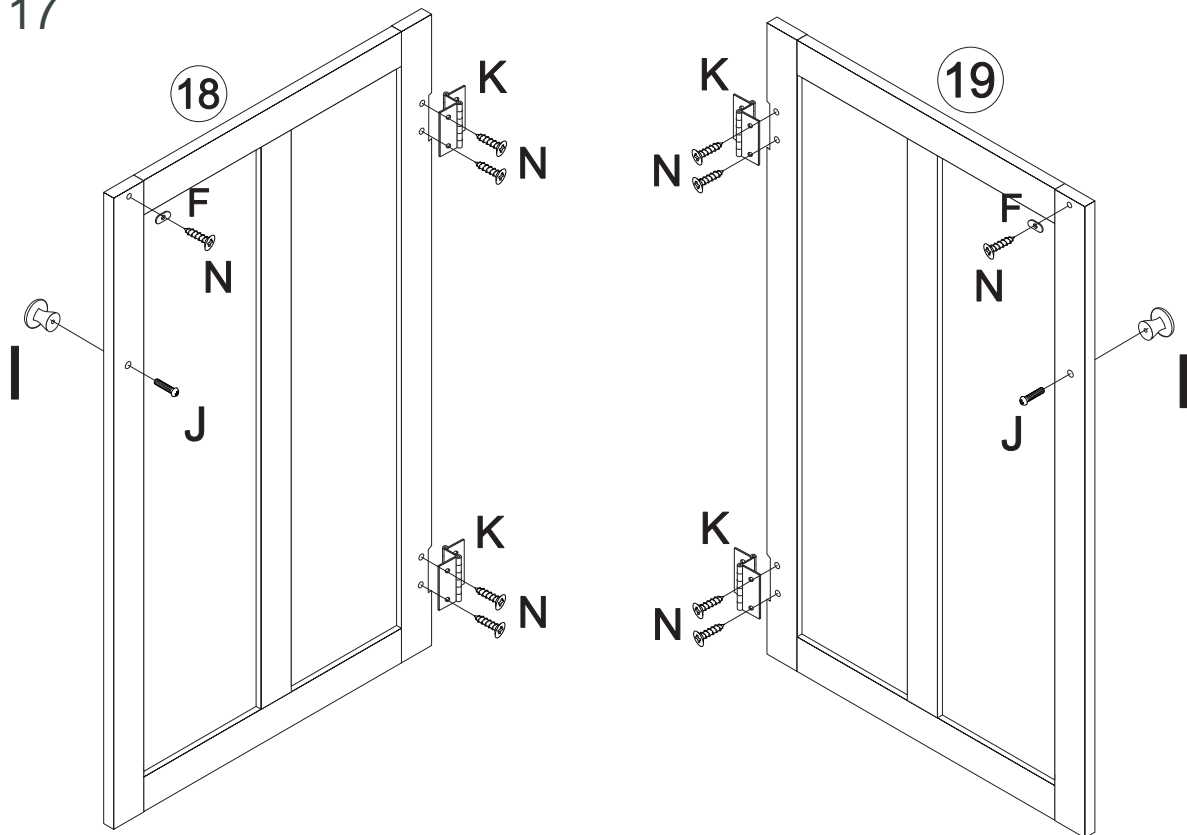


- | | | | | | |
|------|------|-------|------|------|------|
| H x2 | J x4 | M x16 | N x8 | V x2 | T x2 |
| | | | | | |

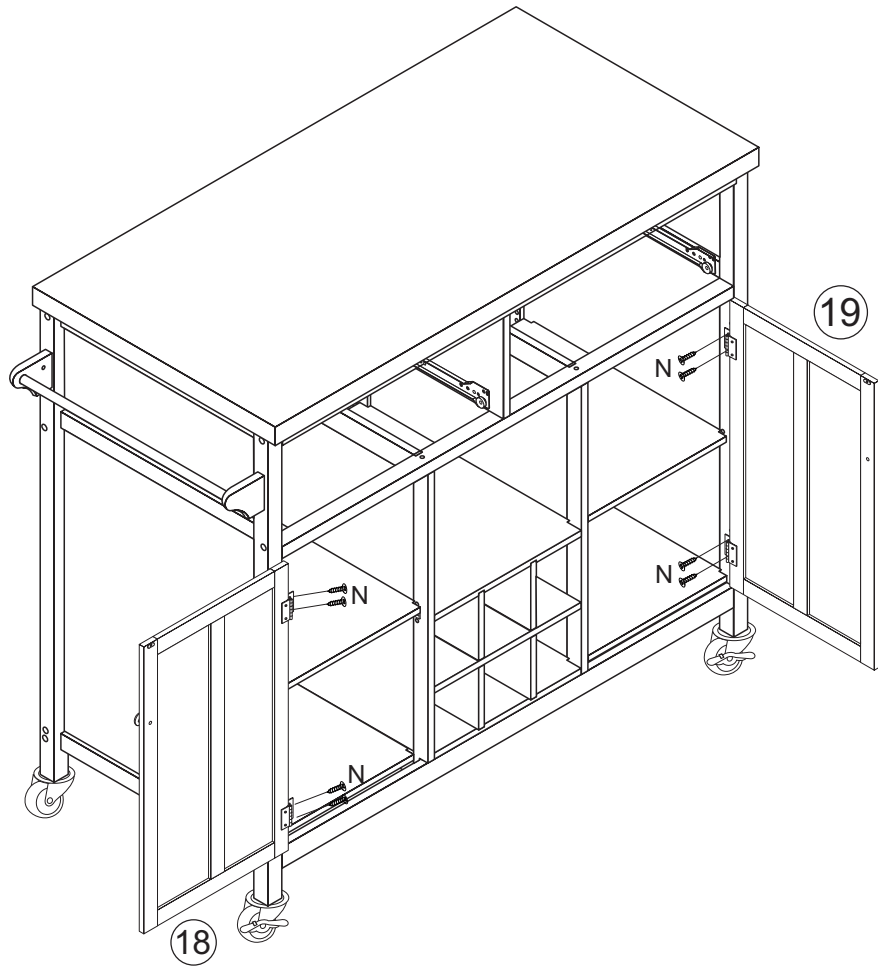
STEP 16



STEP 17



STEP 18



STEP 19

